

BigTow[®] TRAILERS

DROP-DECK • DROP-DECK TILT
DECK-OVER • DECK-OVER TILT
RIGID GOOSENECK

TAG LINE



DROP-DECK



DROP-DECK TILT



DECK-OVER



DECK-OVER TILT



RIGID GOOSENECK

Effective Date: 1/2021

2021 RETAIL PRICE LIST

Big Tow

61381 US Hwy 12
Litchfield, MN 55355

PH: 320-693-7900

Toll: 866-397-8481

Parts Department

PH: 320-593-4595

Toll: 866-239-2221



TABLE OF CONTENTS

Table of Contents

Warranty Summary 4
 Payload Ratings 5
 Gooseneck Swing Clearance 6
 Detachable Gooseneck Swing Clearance 6
 A-Frame Gooseneck Swing Clearance 7
 Gooseneck Swing Clearance 7

Drop-Deck

BE-4D 9
 BE-5D 10
 BE-6D 11
 BE-7D 12
 BE-4D / BE-5D / BE-6D / BE-7D OPT 13
 B-4D 14
 B-5D 15
 B-6D 16
 B-7D 17
 B-8D 18
 B-9D 19
 B-10D 20
 B-12D 21
 B-4D / B-5D / B-6D / B-7D / B-8D / B-9D / B-10D /
 B-12D OPT 22
 B-4D / B-5D / B-6D / B-7D / B-8D / B-9D / B-10D /
 B-12D OPT 23
 B-4P 24
 B-5P 25
 B-6P 26
 B-4P / B-5P / B-6P OPT 27

Drop-Deck Tilt

B-2DT 28
 B-3DT 29
 B-2DT / B-3DT OPT 30
 B-4DT 31
 B-5DT 32
 B-6DT 33
 B-7DT 34
 B-8DT 35
 B-9DT 36
 B-10DT 37
 B-4DT / B-5DT / B-6DT / B-7DT / B-8DT / B-9DT /
 B-10DT OPT 38

Deck-Over Tilt

B-6T 39
 B-7T 40
 B-8T 41
 B-6T / B-7T / B-8T OPT 42
 B-10T 43
 B-12T 44
 B-15T 45
 B-20T 46
 B-25T 47
 B-10T / B-12T / B-15T / B-20T / B-25T OPT 48
 B-12TA 49
 B-20TA 50
 B-25TA 51
 B-12TA / B-20TA / B-25TA OPT 52

Deck-Over

BE-4 53
 BE-5 54
 BE-6 55
 BE-7 56
 BE-8 57
 BE-9-3 58
 BE-10 59
 BE-12 60
 BE-4 / BE-5 / BE-6 / BE-7 / BE-8 / BE-9-3 /
 BE-10 / BE-12 OPT 61
 B-10 62
 B-10LP 63
 B-12 64
 B-12LP 65
 B-15 66
 B-10 / B-10LP / B-12 / B-12LP / B-15 OPT 67
 B-10 / B-10LP / B-12 / B-12LP / B-15 OPT 68
 B-20 69
 B-20LP 70
 B-25 71
 B-25LP 72
 B-20 / B-20LP / B-25 / B-25LP OPT 73
 B-20 / B-20LP / B-25 / B-25LP OPT 74

Rigid Gooseneck

B-25RG 75
 B-35RG 76
 B-25RG / B-35RG OPT 77
 B-25RG / B-35RG OPT 78

Warranty Summary

(FULL AND CURRENT TEXT AVAILABLE AT BIGTOW.COM)

This warranty effective on trailers manufactured after 01/01/2009.

Monroe Towmaster, LLC. (herein referred to as Big Tow) offers this extensive warranty to the original purchaser of our trailers. Warranty starts from the date of sale as long we receive the filled-out warranty card. If we do not receive the warranty card, warranty starts from the ship date of the unit.

LIMITED LIFETIME FRAME WARRANTY

On our premium trailers (B, BE series) Big Tow warranties the trailer main frame (frame, crossmembers, gussets, beavertail, and tongue or gooseneck) for the lifetime of the trailer to the original licensed owner to be free from defects in material and workmanship. This LIFETIME WARRANTY does not cover the hitch (ball, pintle, and gooseneck fifth wheel), tires, wheels, axles, suspension, hoists, ramps, lights, wiring, paint, wood, d-rings or any other features or options outside the scope of the trailer main frame weldment. Limited Lifetime is determined by the following criteria: The life expectancy of the trailer which is determined to be 10-YEARS on tag trailers 50,000 lb. capacity and lower, or 5-YEARS on king-pin trailers 50,000 lb. capacity and up, or 5-YEARS on dump trailers, to the original owner and is non-transferrable, limited to the first accident or overloading. This warranty also does not cover:

1. Products which have been operated in excess of rated capacities
2. Misuse, abuse or accidents
3. Vehicles which have been altered, modified or repaired in any manner not authorized by our company

FIVE-YEAR LIMITED FRAME WARRANTY

Some economy models (BC series) carry a 5-YEAR Limited Frame Warranty with the same exclusions as stated above. Some economy models (BC series) carry our standard 1-YEAR Warranty stated below.

AXLE / SUSPENSION WARRANTY

Each Dexter Torflex Axle carries a limited 10-YEAR WARRANTY on the suspension to be free from defect in material and workmanship. Warranty is limited to Dexter warranty policy. Other types or brands of suspensions may carry either a 5-YEAR or a 2-YEAR warranty by its manufacturer.

PAINT WARRANTY

Big Tow warrants its paint and process against peeling or delamination of topcoat and/or other layers of paint, cracking due to failure of the product, and excessive hazing for a period of 3-YEARS from the date of manufacture. This warranty is limited to original paint from the factory and excludes paint that has been chipped, scuffed, scratched, or otherwise damaged in normal use, inclement weather, improper care, or paint on trailers that have been abused or in an accident. Towmaster's liability is limited to the repair of the affected area and covers labor and materials only, at an authorized repair service.

FULL ONE-YEAR WARRANTY

Big Tow warranties each new product manufactured by us to be free from defects in material and workmanship for a period of one year from date of delivery to the original purchaser except as noted below.

This one-year warranty covers the entire trailer against material and workmanship except as noted:

1. New products which have been operated in excess of rated capacities
2. Misuse, abuse or accidents
3. Items that have been pinched (air or hydraulic hose)
4. Vehicles which have been altered, modified or repaired in any manner not authorized by our company
5. Second-hand or used vehicles
6. Wear items such as tires, battery, suspension, bearings, parking jacks
7. Products that have not been properly maintained (by the dealer or consumer)

In no way shall the manufacturer be held liable for consequential damages such as rentals of substitute vehicles, loss of profits, downtime, or other commercial losses. This warranty does not cover shipment of trailer or parts to dealer or manufacturer, or return shipment of trailer or parts to dealer or consumer from factory.

TIRE / BATTERY WARRANTY

New vehicle tires are warranted by their respective manufacturers and are prorated. Battery is warranted by Big Tow and is prorated.

BIG TOW'S OBLIGATION

Our obligation under this warranty is to repair or replace, at no cost to the end user, any warrantable part proven defective within the time limit of this warranty at our factory or at an Authorized Big Tow Dealer. Big Tow will handle disposition of warranties on all other purchased components such as axles, suspensions, wheels, batteries, parking jacks and other purchased parts in conjunction with their respective manufacturers, and under the terms of their respective warranty policies.

We must receive immediate notification of a defect and no allowance will be made for repairs without our prior consent or approval. Manufacturer does not preauthorize any dealership for warranty work. The dealer must call our warranty service department to receive an authorization number. If the work performed is not preauthorized with a claim number, it may be deemed void. Defective parts must be returned within twenty days of receipt of replacement parts or credit may not be given for the replacement parts and an invoice may be issued.

This warranty is in lieu of all other warranties, expressed or implied by law or otherwise, and there is no warranty of merchantability or fitness of purpose. Federal regulations require motor vehicle manufacturers to maintain a record of original owners of their equipment. Our warranty registration fulfills this requirement. Please make every

effort to complete the warranty card document and send it in. This warranty written under the laws of Minnesota, USA and some provisions in this warranty may be adjusted according to your local state, province or country's laws. Complete warranty details and changes can be read on our web site, www.bigtow.com.

CUSTOMER REGISTRATION REQUIRED

Federal regulations require motor vehicle manufacturers to maintain a record of original owners of their equipment. Our warranty registration fulfills this requirement. Please make every effort to complete this document and send it in.

Manufacturer reserves the right to modify, without notice, specific designs and specifications as deemed advisable on the trailers described herein without obligation in regards to trailers previously manufactured. The manufacturer also reserves the right to discontinue models without obligation in regards to trailers previously sold. Written warranty covers each trailer. No other warranty expressed or implied is made.

Payload Ratings

GAWR and GVWR ratings of its trailers using the following determinations:

GAWR

GAWR is determined by using the weakest link between the axle capacity rating and the combined wheel and tire rating.

GVWR

GVWR is determined by taking a fleet average weight, plus payload capacity rating (as determined by the manufacturer).

Payload Capacity

Payload is determined by one of the following calculations:

If your state recognizes weight transfer to the tow vehicle transfer, then calculate payload with this formula:

C

If your state ONLY recognizes GAWR or trailer capacity rating and does NOT recognize weight transfer to the tow vehicle to transfer load, then calculate using this formula:

GAWR OR Trailer capacity - Trailer Weight = Payload Capacity

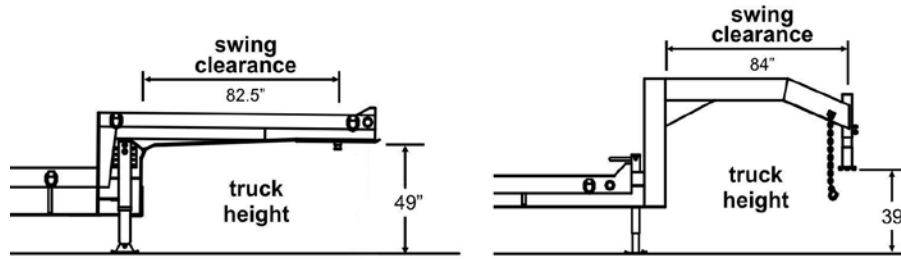
Trailer weight can fluctuate depending upon dryness of the wood deck, options installed and deck length. The best way to get the actual weight of the trailer is to scale it. Our published weights and capacities are for reference only.

TIRE SIZE	LOAD RANGE	TIRE PLY	TIRE/WHEEL CAPACITY	PSI	MPH	SINGLE DUAL	BOLT PATTERN	APPROX TIRE DIA. (IN)
ST225/75RX15	D	8	2540	65	65	S	6 ON 5.5 IN Ø	28.3
ST225/75RX15	D	8	2540	65	65	S	8 ON 6.5 IN Ø	28.3
235/80RX16	E	10	3520	80	55	S	8 ON 6.5 IN Ø	30.8
235/80RX16	E	10	3640	80	65	S	8 ON 5.5 IN Ø	31.7
235/80RX16	E	10	3640	80	65	S	8 ON 6.5 IN Ø	31.7
235/80RX16	E	10	2205	80	65	D	8 ON 6.5 IN Ø	31.7
235/80RX16	G	14	3750	110	65	S	upgrade	31.7
235/80RX16	G	14	3415	110	65	D	upgrade	31.7
215/75RX17.5	H	16	5675	125	62	D	8 on 275mm Ø	30.9
215/75RX17.5	H	16	4805	125	62	S	8 ON 6.5 IN Ø	29.7
215/75RX17.5	H	16	4540	125	62	D	8 on 275mm Ø	29.7
235/75RX22.5	H	16	5070	120	62	D	10 on 285.75mm Ø	35.9
235/75RX22.5	H	16	5070	120	62	D	10 on 285.75mm Ø	36.1
235/75RX22.5	H	16	6395	125	75	D	10 on 285.75mm Ø	38.2
235/85RX16	F	12	3520	95	65	D	8 ON 6.5 IN Ø	31.7
235/85RX16	F	12	3690	95	65	S	8 ON 6.5 IN Ø	31.7

Gooseneck Swing Clearance

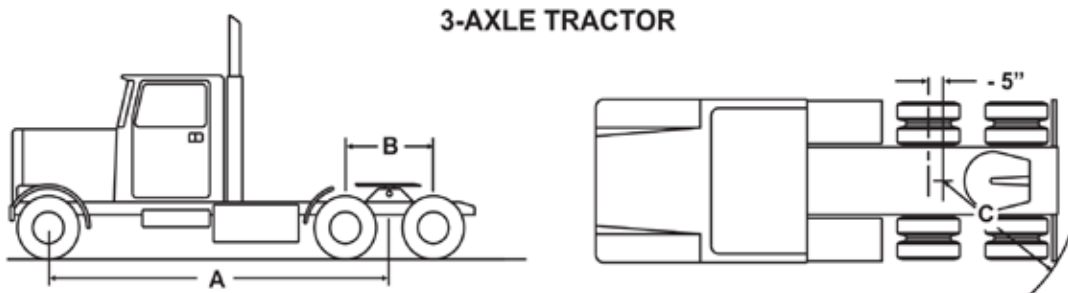
(A-Frame / Rigid Gooseneck / Hydraulic Tail)

These are the standard swing clearance dimensions on our goosenecks. Please specify swing clearance and truck height when ordering if you require a different clearance dimension.



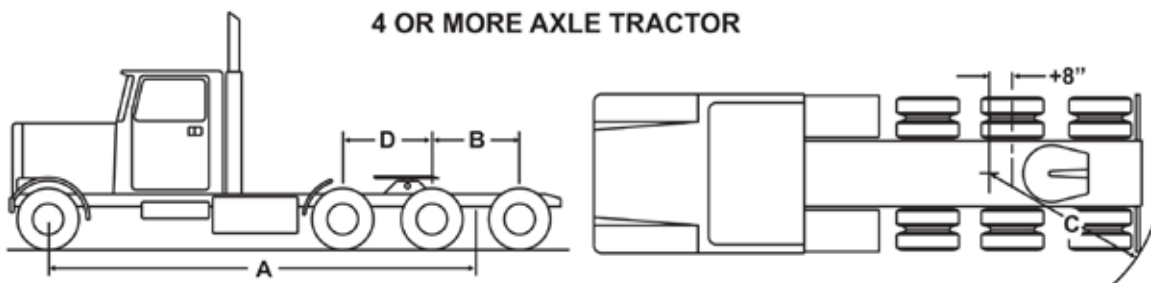
Detachable Gooseneck Swing Clearance

Use the chart below to determine the proper gooseneck length to fit your tractor. Detachable gooseneck trailers come in a variety of gooseneck length options. These dimensions will help determine the swing clearance needed. If you have any questions, please call the factory for clarification.



3-AXLE TRACTOR

DIMENSION	DESCRIPTION
A	Wheel Base
B	Drive Axle Spacing
C	Center of forward drive axle, minus (-) 5" to outer edge of rear tire or mud flap

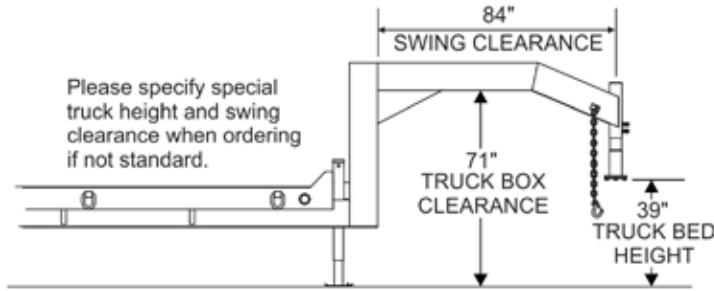


4 OR MORE AXLE TRACTOR

DIMENSION	DESCRIPTION
A	Wheel Base
B	Drive Axle Spacing
C	Center of Forward Drive Axle, minus (-) 5" to outer edge of rear tire or mud flap
D	Other Axle Spacing
	Number of Axles
Y N	Lift Axle

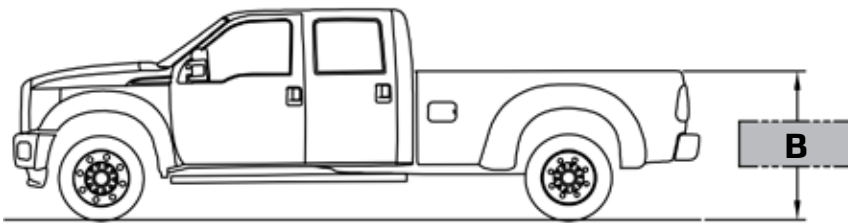
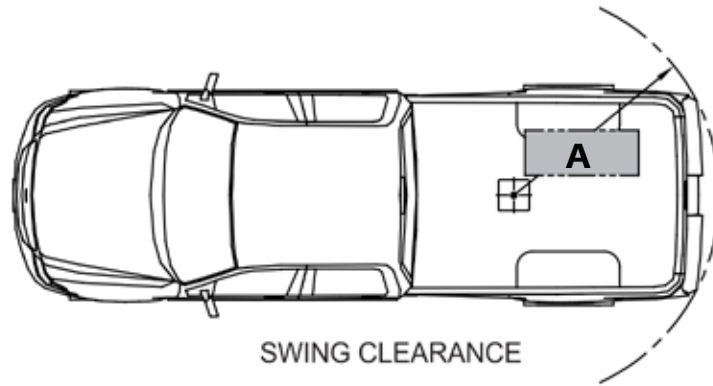
A-Frame Gooseneck Swing Clearance

These are the standard swing clearance dimensions on our goosenecks. Please specify swing clearance and truck height when ordering if you require a different clearance dimension.

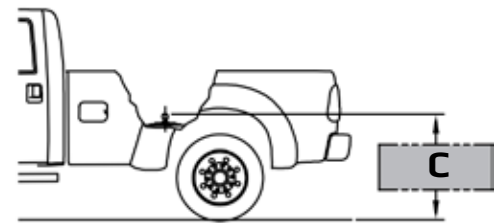


Gooseneck Swing Clearance

Use the reference below to determine the proper gooseneck fit. These measurements will help determine the swing clearance. If you have any questions, please call the factory for clarification.

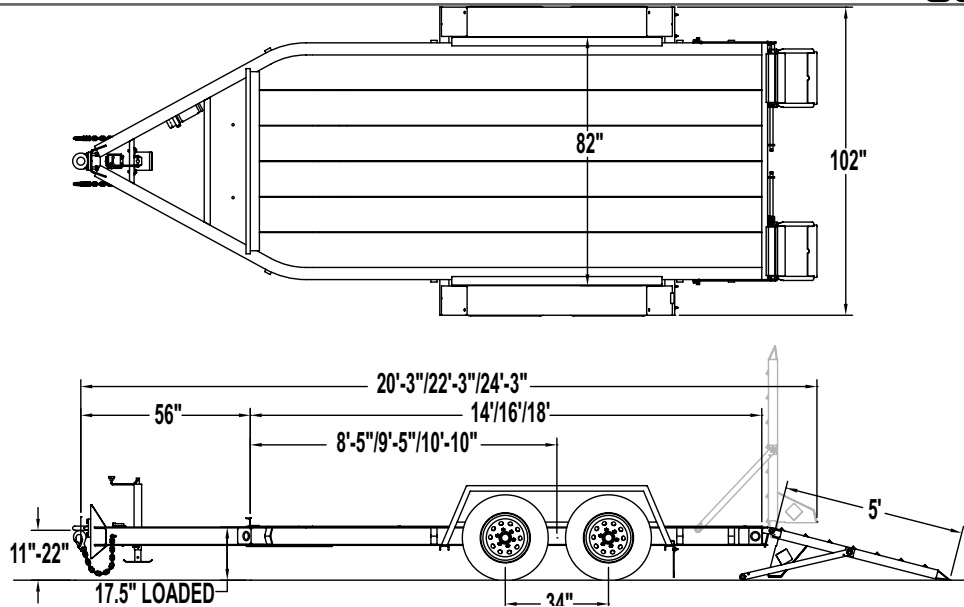


HEIGHT TO TOP OF PICKUP BOX



HEIGHT TO TOP OF HITCH BALL

DIMENSION	DESCRIPTION
A	Hitch Center to Box Corner
B	Ground to Top of Box
C	Ground to Top of Hitch Ball



All dimensions are nominal.
Illustration may be shown with optional equipment.

Standard Features

Hitch/Tongue

- Adjustable height, bolt-on coupler
- 2.5" pintle
- RV plug
- One-piece cold-formed frame rails
- Integrated storage tray
- 7K bolt-on top-wind parking jack
- Battery break-away kit w/tow charger & test light
- Safety chains w/hooks

Frame/Deck

- 82" between fenders
- 17.5" deck height (fully loaded)
- 6" I-beam main frame
- 3" Jr. I-beam crossmembers, 80,000 psi
- 2" nominal treated pine wood deck
- Formed flat bar tie downs (4 per side)
- 12 ga one-piece formed fender/panel

Ramps/Tail

- 18" x 5'-0" formed sides, cleated ladder style
- Load angle: 16°
- Solid-bar pinned ramp hold-ups

Axles/Suspension

- Rubber-ride suspension axles
- (2) 6,000 lb. axles (tandem, 4 wheels)
- Tires - ST225/75R 15, load range D, 8-ply
- 15" wheels, 6-bolt
- Electric brakes
- Forward self-adjusting brakes
- Standard (Non-EZ Lube) hubs

Lights/Wiring

- Rubber grommet mounted LED lights
- Sealed modular wiring

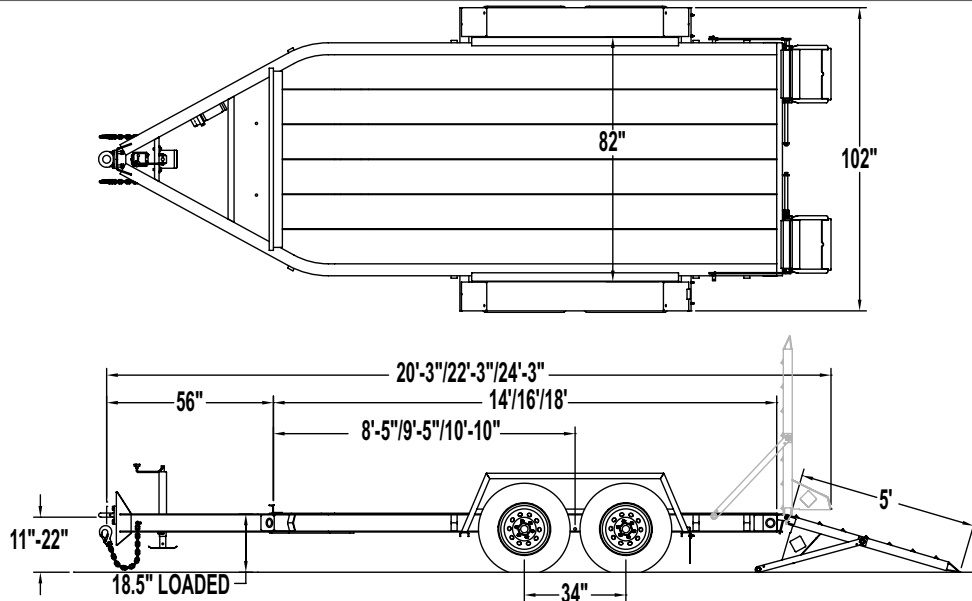
Standard Features

- Limited Lifetime Frame Warranty
- One-Year full Warranty
- 10 Year Suspension Warranty
- Weatherproof registration holder
- Two-component polyurethane primer and paint
- Trailer color: Equipment Black
- Ramp color: Equipment Red

Weights and capacities vary depending upon options. Published weights are reference only.

GAWR (lbs)	GVWR (lbs)	Weight (lbs)	Capacity (lbs)	Deck Width (in)	Deck Length (ft)	MSRP
12,000	9,990	2,590	7,420	82"	14'	\$6,560
12,000	9,990	2,790	7,200	82"	16'	\$6,660
12,000	9,990	2,990	7,000	82"	18'	\$7,075

Other options may be available. Ask your dealer or visit our website.



All dimensions are nominal.
Illustration may be shown with
optional equipment.

Standard Features

Hitch/Tongue

- Adjustable height, bolt-on coupler
- 2.5" pintle
- RV plug
- One-piece cold-formed frame rails
- Integrated storage tray
- 7K bolt-on, top-wind parking jack
- Battery break-away kit w/tow charger & test light
- Safety chains w/hooks

Frame/Deck

- 82" between fenders
- 18.5" deck height (fully loaded)
- 6" I-beam main frame
- 3" Jr. I-beam crossmembers, 80,000 psi
- 2" nominal treated pine wood deck
- Formed flat bar tie downs (4 per side)
- 12 ga one-piece formed fender/panel

Ramps/Tail

- 18" x 5'-0" formed sides, cleated ladder style
- Load angle: 17°
- Solid-bar pinned ramp hold-ups

Axles/Suspension

- Rubber-ride suspension axles
- (2) 6,000 lb. axles (tandem, 4 wheels)
- Tires - 235/85R16, load range F, 12-ply
- 16" wheels, 6-bolt
- Electric brakes
- Forward self-adjusting brakes
- Standard (Non-EZ Lube) hubs

Lights/Wiring

- Rubber grommet mounted LED lights
- Sealed modular wiring

Standard Features

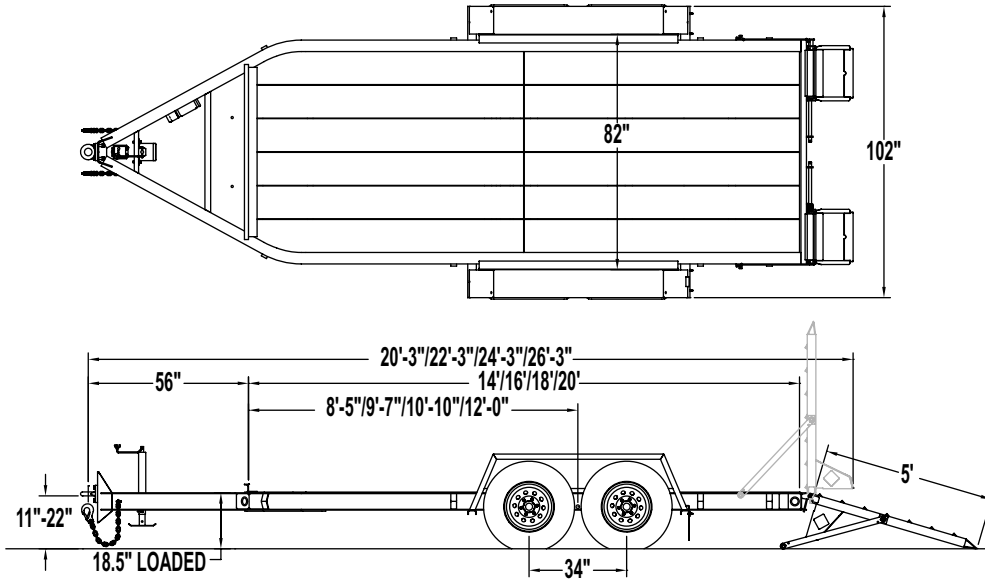
- Limited Lifetime Frame Warranty
- One-Year full Warranty
- 10 Year Suspension Warranty
- Weatherproof registration holder
- Two-component polyurethane primer and paint
- Trailer color: Equipment Black
- Ramp color: Equipment Red

Weights and capacities vary depending upon options. Published weights are reference only.

GAWR (lbs)	GVWR (lbs)	Weight (lbs)	Capacity (lbs)	Deck Width (in)	Deck Length (ft)	MSRP
12,000	12,590	2,590	10,000	82"	14'	\$6,630
12,000	12,790	2,790	10,000	82"	16'	\$6,750
12,000	12,990	2,990	10,000	82"	18'	\$7,160

Other options may be available. Ask your dealer or visit our website.

Listed GVWR, weights and dimensions are for reference only. Manufacturer reserves the right to change models and specifications as they see fit. See our web site or your local authorized dealer for more information.



All dimensions are nominal.
Illustration may be shown with
optional equipment.

Standard Features

Hitch/Tongue

- Adjustable height, bolt-on coupler
- 2.5" pintle
- RV plug
- One-piece cold-formed frame rails
- Integrated storage tray
- 7K bolt-on, top-wind parking jack
- Battery break-away kit w/tow charger & test light
- Safety chains w/hooks

Frame/Deck

- 82" between fenders
- 18.5" deck height (fully loaded)
- 6" I-beam main frame
- 3" Jr. I-beam crossmembers, 80,000 psi
- 2" nominal treated pine wood deck
- Formed flat bar tie downs (4 per side)
- 12 ga one-piece formed fender/panel

Ramps/Tail

- 18" x 5'-0" formed sides, cleated ladder style
- Load angle: 17°
- Solid-bar pinned ramp hold-ups

Axles/Suspension

- Rubber-ride suspension axles
- (2) 6,000 lb. axles (tandem, 4 wheels)
- Tires - 235/85R16, load range F, 12-ply
- 16" wheels, 6-bolt
- Electric brakes
- Forward self-adjusting brakes
- Standard (Non-EZ Lube) hubs

Lights/Wiring

- Rubber grommet mounted LED lights
- Sealed modular wiring

Standard Features

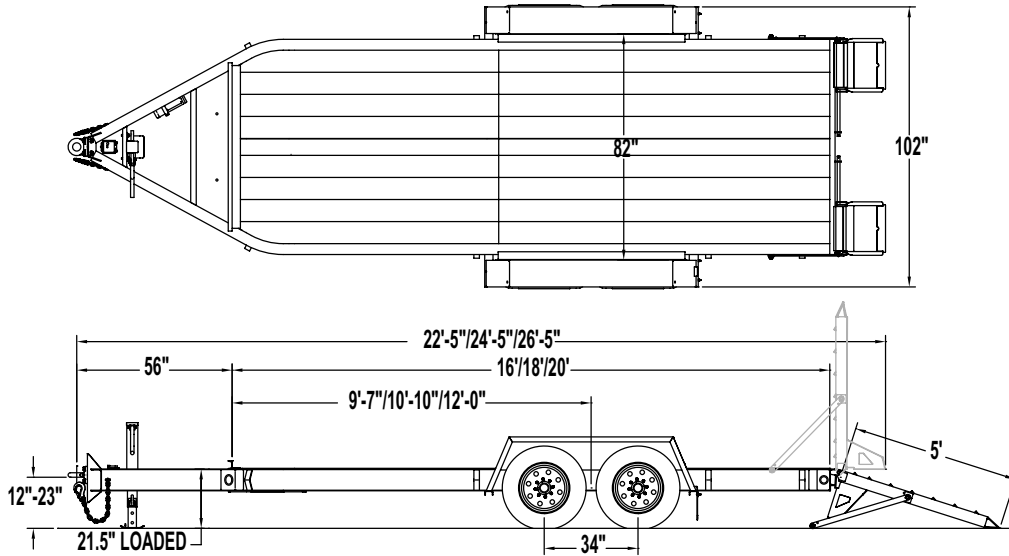
- Limited Lifetime Frame Warranty
- One-Year full Warranty
- 10 Year Suspension Warranty
- Weatherproof registration holder
- Two-component polyurethane primer and paint
- Trailer color: Equipment Black
- Ramp color: Equipment Red

Weights and capacities vary depending upon options. Published weights are reference only.

GAWR (lbs)	GVWR (lbs)	Weight (lbs)	Capacity (lbs)	Deck Width (in)	Deck Length (ft)	MSRP
12,000	14,590	2,590	12,000	82"	14'	\$6,630
12,000	14,790	2,790	12,000	82"	16'	\$6,750
12,000	14,990	2,990	12,000	82"	18'	\$7,160
12,000	15,190	3,190	12,000	82"	20'	\$7,540

Other options may be available. Ask your dealer or visit our website.

Listed GVWR, weights and dimensions are for reference only. Manufacturer reserves the right to change models and specifications as they see fit. See our web site or your local authorized dealer for more information.



All dimensions are nominal.
Illustration may be shown with
optional equipment.

Standard Features

Hitch/Tongue

- Adjustable height, bolt-on coupler
- 3" pintle
- RV plug
- One-piece cold-formed frame rails
- Integrated storage tray
- 12K bolt-on, side-wind drop-leg parking jack
- Battery break-away kit w/tow charger & test light
- Safety chains w/hooks

Frame/Deck

- 82" between fenders
- 21.5" deck height (fully loaded)
- 8" I-beam main frame
- 3" Jr. I-beam crossmembers, 80,000 psi
- 2" nominal white oak wood deck
- Formed flat bar tie downs (4 per side)
- 12 ga one-piece formed fender/panel

Ramps/Tail

- 18" x 5'-0" channel sides, cleated ladder style
- Load angle: 19°
- Solid-bar pinned ramp hold-ups

Axles/Suspension

- Rubber-ride suspension axles
- (2) 7,000 lb. axles (4 wheels)
- Tires - 235/85R16, load range F, 12-ply
- 16" wheels, 8-bolt
- Electric brakes
- Forward self-adjusting brakes
- Standard (non-EZ Lube) hubs

Lights/Wiring

- Rubber grommet mounted LED lights
- Sealed modular wiring

Standard Features

- Limited Lifetime Frame Warranty
- One-Year full Warranty
- 10 Year Suspension Warranty
- Weatherproof registration holder
- Two-component polyurethane primer and paint
- Trailer color: Equipment Black
- Ramp color: Equipment Red

Weights and capacities vary depending upon options. Published weights are reference only.

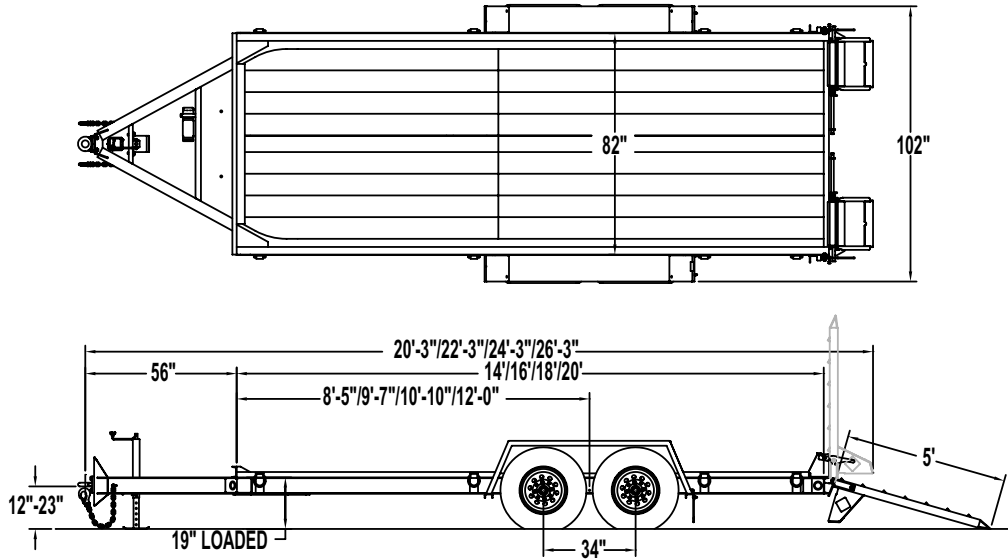
GAWR (lbs)	GVWR (lbs)	Weight (lbs)	Capacity (lbs)	Deck Width (in)	Deck Length (ft)	MSRP
14,000	17,180	3,180	14,000	82"	16'	\$7,480
14,000	17,380	3,380	14,000	82"	18'	\$8,280
14,000	17,500	3,500	14,000	82"	20'	\$8,805

Other options may be available. Ask your dealer or visit our website.

Listed GVWR, weights and dimensions are for reference only. Manufacturer reserves the right to change models and specifications as they see fit. See our web site or your local authorized dealer for more information.

BE-4D / BE-5D / BE-6D / BE-7D OPTIONS

	BE-4D	BE-5D	BE-6D	BE-7D	MSRP
TONGUE / HITCH					
Hydraulic surge brakes with freebacking (check local D.O.T. laws)	•	•	•	•	\$925
2-5/16" ball coupler	•	•	•	•	N/C
3" pintle ring	•	•	•		\$65
6-pole round plug	•	•	•	•	N/C
12K bolt-on side-wind parking jack	•	•	•		\$185
Lockable storage tray lid	•	•	•	•	\$125
Gooseneck (2-5/16" coupler) – 84" swing clearance, 39" hitch height (call if varies), tool box with lid, dual jacks	•	•	•	•	\$1,650
MAIN DECK					
Pallet fork holders (N/A on 14 ft. deck)	•	•	•	•	\$295
8K electric winch with 95 ft. 5/16" cable, mounted on deck side of headboard (includes battery w/charger)	•	•	•	•	\$2,255
Additional flat bar tie-downs (each)	•	•	•	•	\$25
D-ring tie downs (each)	•	•	•	•	\$40
White oak wood deck (per linear foot)	•	•	•	•	\$16
Apitong wood deck (per linear foot)	•	•	•	•	\$65
Rub rail and stake pockets (per foot)	•	•	•	•	\$45
3 ft. wood-topped beavertail w/ 5' angle-iron ramps	•	•	•	•	\$810
SUSPENSION					
EZ Lube hubs	•	•	•	•	\$200
Hubmeter	•	•	•	•	\$138
Spare tire mount bracket, mounted curb side in front of fender (not to be used with rub rails)	•	•	•	•	\$165
Spare tire and wheel, ST225/75R15	•				\$195
Spare tire and wheel, 235/85R16		•	•	•	\$230
235/85Rx16, load range "G", 14-ply (in lieu of "E", 10-ply)		•	•	•	\$680
RAMPS					
Spring-assist ramp kit	•	•	•	•	\$80
Auto-Latch ramp hold-up system	•	•	•	•	\$290
Wood filled 5 ft. ramps	•	•	•	•	\$180
Full width ramps, 5 ft. long, expanded metal (solid bar hold-ups), spring-assisted	•	•	•	•	\$895
5 ft. ramps, star traction (solid bar hold-ups)	•	•	•	•	\$220
6 ft. ramps, star traction (solid bar hold-ups) (2-deg lesser load angle)	•	•	•	•	\$325
6 ft. ramps, cleated ladder style (solid bar hold-ups) (2-deg lesser load angle)	•	•	•	•	\$295
OTHER					
Special color (no metallic) – color match only – ramps painted to match	•	•	•	•	CALL
2 chock blocks with holders, located on rear of fender	•	•	•	•	\$220
Galvanizing	•	•	•	•	CALL
Charcoal	•	•	•	•	N/C
Change ramp color to black	•	•	•	•	N/C
Change ramp color to yellow, blue, charcoal	•	•	•	•	\$50



All dimensions are nominal.
Illustration may be shown with
optional equipment.

Standard Features

Hitch/Tongue

- Adjustable height, bolt-on coupler
- 2.5" pintle
- RV plug
- One-piece cold-formed frame rails
- Integrated storage tray
- 7K bolt-on, top-wind drop-leg parking jack
- Battery break-away kit w/tow charger & test light
- Safety chains w/hooks

Frame/Deck

- 82" between fenders
- 19" deck height (fully loaded)
- 6" I-beam main frame
- 3" Jr. I-beam crossmembers, 80,000 psi
- 2" nominal white oak wood deck
- 2" sides
- D-ring tie-downs (4 per side)
- 12 ga one-piece formed fender/panel

Ramps/Tail

- 18" x 5'-0" channel sides, cleated ladder style
- Load Angle: 17°
- Auto-Latch ramp hold-ups
- Spring-assist

Axles/Suspension

- Rubber-ride suspension axles
- (2) 7,000 lb. axles (4 wheels)
- Tires - 235/85R16, load range F, 12-ply
- 16" wheels, 8-bolt
- Electric brakes
- Forward self-adjusting brakes
- E-Z Lube hubs

Lights/Wiring

- Rubber grommet mounted LED lights
- Sealed modular wiring

Standard Features

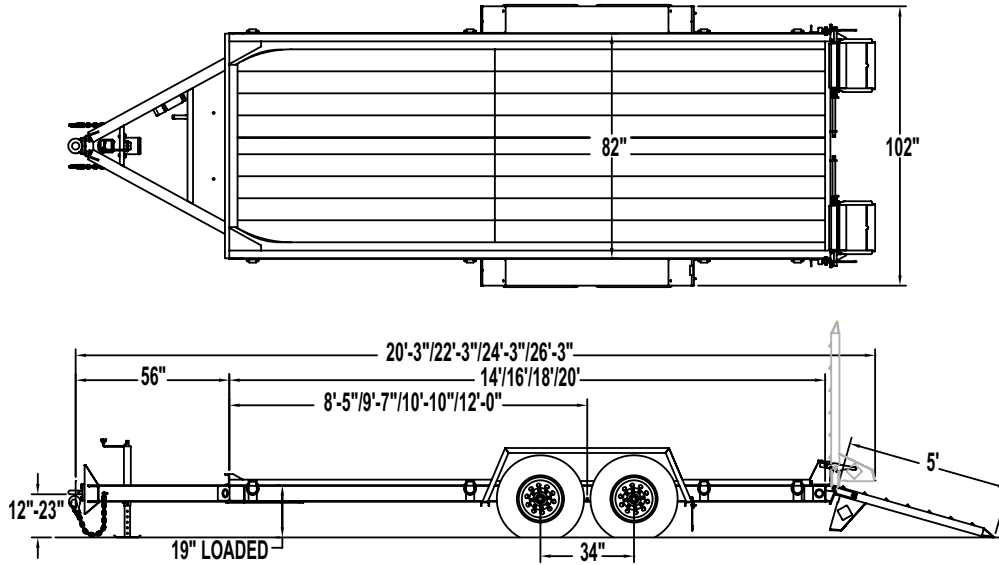
- Limited Lifetime Frame Warranty
- One-Year full Warranty
- 10 Year Suspension Warranty
- Weatherproof registration holder
- Two-component polyurethane primer and paint
- Trailer color: Equipment Black
- Ramp color: Equipment Red

Weights and capacities vary depending upon options. Published weights are reference only.

GAWR (lbs)	GVWR (lbs)	Weight (lbs)	Capacity (lbs)	Deck Width (in)	Deck Length (ft)	MSRP
14,000	9,990	3,000	6,990	82"	14'	\$7,160
14,000	9,990	3,160	6,830	82"	16'	\$7,555
14,000	9,990	3,400	6,590	82"	18'	\$7,930
14,000	9,990	3,640	6,350	82"	20'	\$8,330

Other options may be available. Ask your dealer or visit our website.

Listed GVWR, weights and dimensions are for reference only. Manufacturer reserves the right to change models and specifications as they see fit. See our web site or your local authorized dealer for more information.



All dimensions are nominal.
Illustration may be shown with
optional equipment.

Standard Features

Hitch/Tongue

- Adjustable height, bolt-on coupler
- 2.5" pintle
- RV plug
- One-piece cold-formed frame rails
- Integrated storage tray
- 7K bolt-on, top-wind drop-leg parking jack
- Battery break-away kit w/tow charger & test light
- Safety chains w/hooks

Frame/Deck

- 82" between fenders
- 19" deck height (fully loaded)
- 6" I-beam main frame
- 3" Jr. I-beam crossmembers, 80,000 psi
- 2" nominal white oak wood deck
- 2" sides
- D-ring tie-downs (4 per side)
- 12 ga one-piece formed fender/panel

Ramps/Tail

- 18" x 5'-0" channel sides, cleated ladder style
- Load Angle: 17°
- Auto-Latch ramp hold-ups
- Spring-assist

Axles/Suspension

- Rubber-ride suspension axles
- (2) 7,000 lb. axles (4 wheels)
- Tires - 235/85R16, load range F, 12-ply
- 16" wheels, 8-bolt
- Electric brakes
- Forward self-adjusting brakes
- E-Z Lube hubs

Lights/Wiring

- Rubber grommet mounted LED lights
- Sealed modular wiring

Standard Features

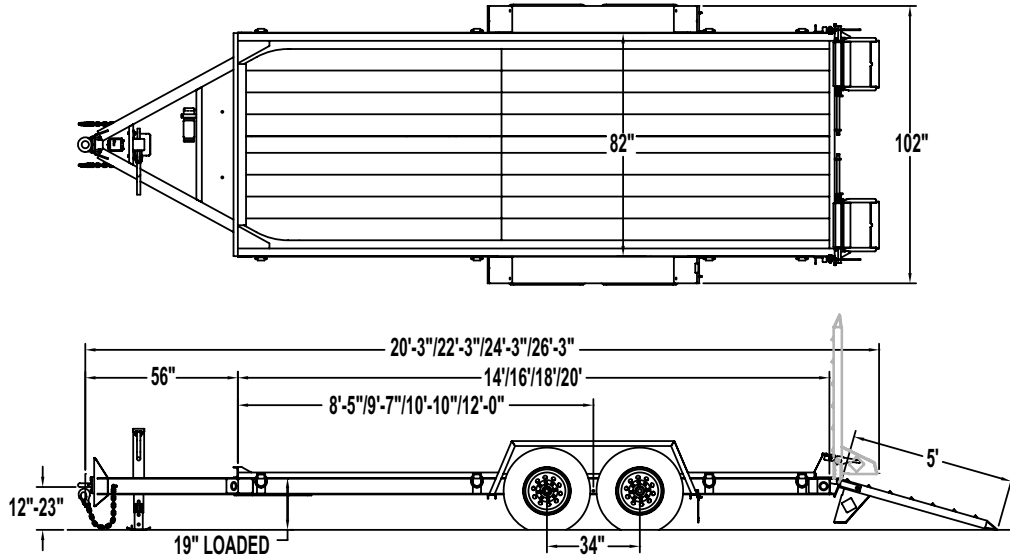
- Limited Lifetime Frame Warranty
- One-Year full Warranty
- 10 Year Suspension Warranty
- Weatherproof registration holder
- Two-component polyurethane primer and paint
- Trailer color: Equipment Black
- Ramp color: Equipment Red

Weights and capacities vary depending upon options. Published weights are reference only.

GAWR (lbs)	GVWR (lbs)	Weight (lbs)	Capacity (lbs)	Deck Width (in)	Deck Length (ft)	MSRP
14,000	13,000	3,000	10,000	82"	14'	\$7,160
14,000	13,160	3,160	10,000	82"	16'	\$7,555
14,000	13,340	3,400	10,000	82"	18'	\$7,930
14,000	13,640	3,640	10,000	82"	20'	\$8,330

Other options may be available. Ask your dealer or visit our website.

Listed GVWR, weights and dimensions are for reference only. Manufacturer reserves the right to change models and specifications as they see fit. See our web site or your local authorized dealer for more information.



All dimensions are nominal.
Illustration may be shown with
optional equipment.

Standard Features

Hitch/Tongue

- Adjustable height, bolt-on coupler
- 2.5" pintle
- RV plug
- One-piece cold-formed frame rails
- Integrated storage tray
- 12K bolt-on, top-wind drop-leg parking jack
- Battery break-away kit w/tow charger & test light
- Safety chains w/hooks

Frame/Deck

- 82" between fenders
- 19" deck height (fully loaded)
- 6" I-beam main frame
- 3" Jr. I-beam crossmembers, 80,000 psi
- 2" nominal white oak wood deck
- 2" sides
- D-ring tie-downs (4 per side)
- 12 ga one-piece formed fender/panel

Ramps/Tail

- 18" x 5'-0" channel sides, cleated ladder style
- Load Angle: 17°
- Auto-Latch ramp hold-ups
- Spring-assist

Axles/Suspension

- Rubber-ride suspension axles
- (2) 7,000 lb. axles (4 wheels)
- Tires - 235/85R16, load range F, 12-ply
- 16" wheels, 8-bolt
- Electric brakes
- Forward self-adjusting brakes
- E-Z Lube hubs

Lights/Wiring

- Rubber grommet mounted LED lights
- Sealed modular wiring

Standard Features

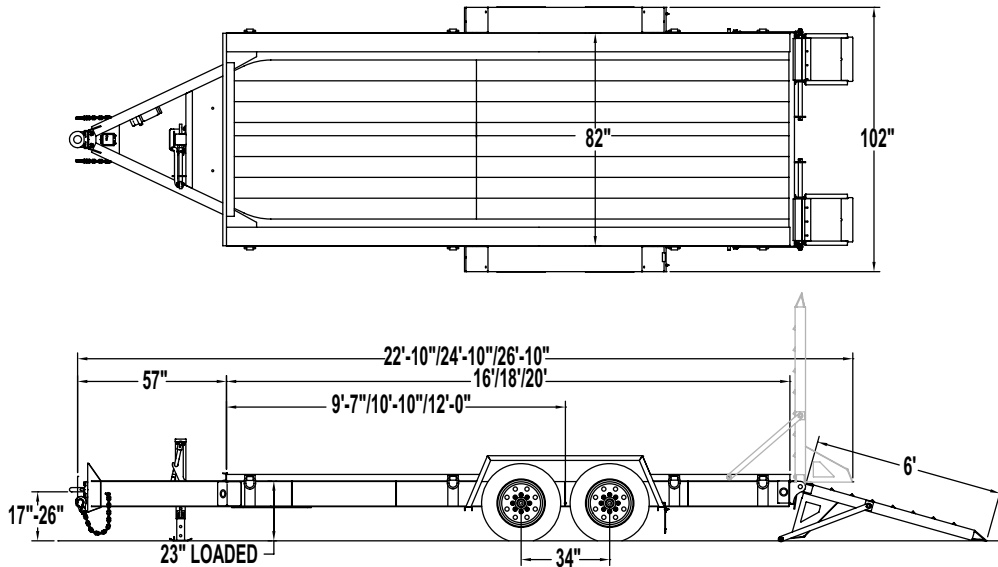
- Limited Lifetime Frame Warranty
- One-Year full Warranty
- 10 Year Suspension Warranty
- Weatherproof registration holder
- Two-component polyurethane primer and paint
- Trailer color: Equipment Black
- Ramp color: Equipment Red

Weights and capacities vary depending upon options. Published weights are reference only.

GAWR (lbs)	GVWR (lbs)	Weight (lbs)	Capacity (lbs)	Deck Width (in)	Deck Length (ft)	MSRP
14,000	15,000	3,000	12,000	82"	14'	\$7,230
14,000	15,160	3,160	12,000	82"	16'	\$7,620
14,000	15,400	3,400	12,000	82"	18'	\$7,995
14,000	15,640	3,640	12,000	82"	20'	\$8,395

Other options may be available. Ask your dealer or visit our website.

Listed GVWR, weights and dimensions are for reference only. Manufacturer reserves the right to change models and specifications as they see fit. See our web site or your local authorized dealer for more information.



All dimensions are nominal.
Illustration may be shown with
optional equipment.

Standard Features

Hitch/Tongue

- Adjustable height, bolt-on coupler
- 3" pintle
- RV plug
- One-piece cold-formed frame rails
- Integrated storage tray
- 12K bolt-on, top-wind drop-leg parking jack
- Battery break-away kit w/tow charger & test light
- Safety chains w/hooks

Frame/Deck

- 82"/84" between fenders/(84" no fender panel)
- 23" deck height (fully loaded)
- 10" I-beam main frame
- 3" Jr. I-beam x-members, 80,000 psi
- 2" nom. white oak wood deck
- 3" sides
- D-rings (4 per side)
- 12 ga one-piece formed fender/panel

Ramps/Tail

- 18" x 6'-0" channel sides, cleated ladder style
- Load Angle: 18°
- Solid bar ramp hold-ups
- Spring-assist

Axes/Suspension

- Rubber-ride suspension axles
- (2) 7,200 lb. axles (4 wheels)
- Tires - 215/75R17.5, load range H, 16-ply
- 17.5" wheels, 8-bolt
- Electric brakes
- E-Z Lube hubs

Lights/Wiring

- Rubber grommet mounted LED lights
- Sealed modular wiring

Standard Features

- Limited Lifetime Frame Warranty
- One-Year full Warranty
- 10 Year Suspension Warranty
- Weatherproof registration holder
- Two-component polyurethane primer and paint
- Trailer color: Equipment Black
- Ramp color: Equipment Red

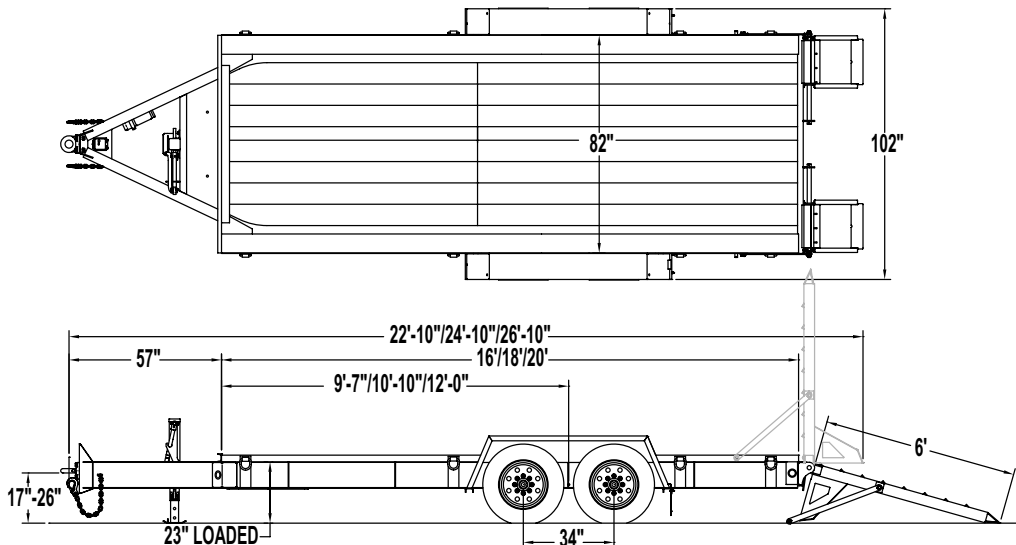
Weights and capacities vary depending upon options. Published weights are reference only.

GAWR (lbs)	GVWR (lbs)	Weight (lbs)	Capacity (lbs)	Deck Width (in)	Deck Length (ft)	MSRP
14,400	17,620	3,620	14,000	82"	16'	\$9,730
14,400	17,800	3,800	14,000	82"	18'	\$10,260
14,400	18,000	4,000	14,000	82"	20'	\$10,775
14,400	17,620	3,620	14,000	84"	16'	\$9,905
14,400	17,800	3,800	14,000	84"	18'	\$10,520
14,400	18,000	4,000	14,000	84"	20'	\$11,040

Other options may be available. Ask your dealer or visit our website.

Listed GVWR, weights and dimensions are for reference only. Manufacturer reserves the right to change models and specifications as they see fit. See our web site or your local authorized dealer for more information.

All dimensions are nominal.
Illustration may be shown with
optional equipment.



Standard Features

Hitch/Tongue

- Adjustable height, bolt-on coupler
- 3" pintle
- RV plug
- One-piece cold-formed frame rails
- Integrated storage tray
- 12K bolt-on, top-wind drop-leg parking jack
- Battery break-away kit w/tow charger & test light
- Safety chains w/hooks

Frame/Deck

- 82"/84" between fenders/(84" no fender panel)
- 23" deck height (fully loaded)
- 10" I-beam main frame
- 3" Jr. I-beam x-members, 80,000 psi
- 2" nom. white oak wood deck
- 3" sides
- D-rings (4 per side)
- 12 ga one-piece formed fender/panel

Ramps/Tail

- 18" x 6'-0" channel sides, cleated ladder style
- Load Angle: 18°
- Solid bar ramp hold-ups
- Spring-assist

Axles/Suspension

- Rubber-ride suspension axles
- (2) 8,000 lb. axles (4 wheels)
- Tires - 215/75R17.5, load range H, 16-ply
- 17.5" wheels, 8-bolt
- Electric brakes
- Forward self-adjusting brakes
- E-Z Lube hubs

Lights/Wiring

- Rubber grommet mounted LED lights
- Sealed modular wiring

Standard Features

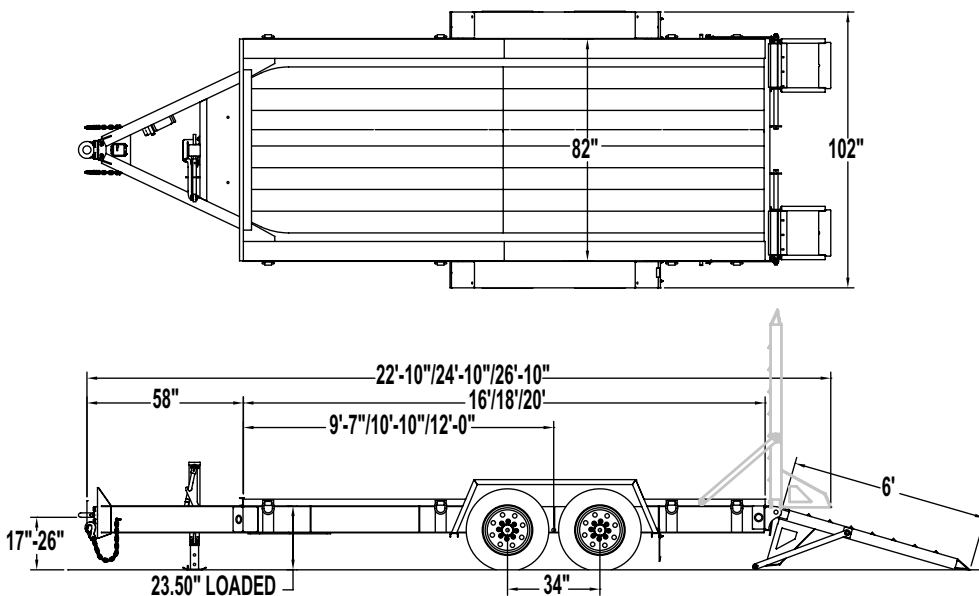
- Limited Lifetime Frame Warranty
- One-Year full Warranty
- 10 Year Suspension Warranty
- Weatherproof registration holder
- Two-component polyurethane primer and paint
- Trailer color: Equipment Black
- Ramp color: Equipment Red

Weights and capacities vary depending upon options. Published weights are reference only.

GAWR (lbs)	GVWR (lbs)	Weight (lbs)	Capacity (lbs)	Deck Width (in)	Deck Length (ft)	MSRP
16,000	19,920	3,920	16,000	82"	16'	\$10,705
16,000	20,410	4,410	16,000	82"	18'	\$10,940
16,000	20,900	4,900	16,000	82"	20'	\$11,380
16,000	19,920	3,920	16,000	84"	16'	\$10,855
16,000	20,410	4,410	16,000	84"	18'	\$11,105
16,000	20,900	4,900	16,000	84"	20'	\$11,530

Other options may be available. Ask your dealer or visit our website.

Listed GVWR, weights and dimensions are for reference only. Manufacturer reserves the right to change models and specifications as they see fit. See our web site or your local authorized dealer for more information.



All dimensions are nominal.
Illustration may be shown with
optional equipment.

Standard Features

Hitch/Tongue

- Adjustable height, bolt-on coupler
- 3" pintle
- RV plug
- One-piece cold-formed frame rails
- Integrated storage tray
- 12K bolt-on, top-wind drop-leg parking jack
- Battery break-away kit w/tow charger & test light
- Safety chains w/hooks

Frame/Deck

- 82" between fenders
- 23.5" deck height (fully loaded)
- 10" I-beam main frame
- 3" Jr. I-beam crossmembers, 80,000 psi
- 2" nominal white oak wood deck
- 3" sides
- D-ring tie-downs (4 per side)
- 12 ga one-piece formed fender/panel

Ramps/Tail

- 18" x 6'-0" channel sides, cleated ladder style
- Load Angle: 18°
- Solid bar ramp hold-ups
- Spring-assist

Axles/Suspension

- Rubber-ride suspension axles
- (2) 10,000 lb. axles (4 wheels)
- Tires - 215/75R17.5, load range H, 16-ply
- 17.5" wheels, 8-bolt
- Electric brakes
- Forward self-adjusting brakes
- Oil bath hubs

Lights/Wiring

- Rubber grommet mounted LED lights
- Sealed modular wiring

Standard Features

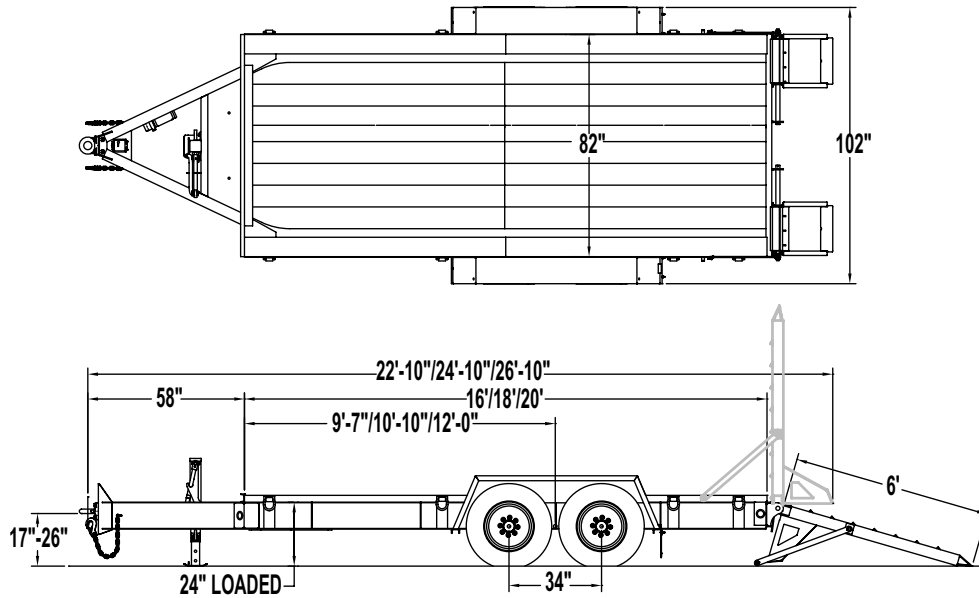
- Limited Lifetime Frame Warranty
- One-Year full Warranty
- 10 Year Suspension Warranty
- Weatherproof registration holder
- Two-component polyurethane primer and paint
- Trailer color: Equipment Black
- Ramp color: Equipment Red

Weights and capacities vary depending upon options. Published weights are reference only.

GAWR (lbs)	GVWR (lbs)	Weight (lbs)	Capacity (lbs)	Deck Width (in)	Deck Length (ft)	MSRP
20,000	21,920	3,920	18,000	82"	16'	\$11,990
20,000	22,410	4,410	18,000	82"	18'	\$12,345
20,000	22,900	4,900	18,000	82"	20'	\$12,775

Other options may be available. Ask your dealer or visit our website.

Listed GVWR, weights and dimensions are for reference only. Manufacturer reserves the right to change models and specifications as they see fit. See our web site or your local authorized dealer for more information.



All dimensions are nominal.
 Illustration may be shown with
 optional equipment.

Standard Features

Hitch/Tongue

- Adjustable height, bolt-on coupler
- 3" pintle
- RV plug
- One-piece cold-formed frame rails
- Integrated storage tray
- 12K bolt-on, top-wind drop-leg parking jack
- Battery break-away kit w/tow charger & test light
- Safety chains w/hooks

Frame/Deck

- 82" between fenders
- 24" deck height (fully loaded)
- 10" I-beam main frame
- 3" Jr. I-beam crossmembers, 80,000 psi
- 2" nominal white oak wood deck
- 3" sides
- D-ring tie-downs (4 per side)
- 12 ga one-piece formed fender/panel

Ramps/Tail

- 18" x 6'-0" channel sides, cleated ladder style
- Load Angle: 18°
- Solid bar ramp hold-ups
- Spring-assist

Axles/Suspension

- Rubber-ride suspension axles
- (2) 10,000 lb. axles (4 wheels)
- Tires - 235/75R17.5, load range H, 16-ply
- 17.5" wheels, 8-bolt
- Electric brakes
- Forward self-adjusting brakes
- Oil bath hubs

Lights/Wiring

- Rubber grommet mounted LED lights
- Sealed modular wiring

Standard Features

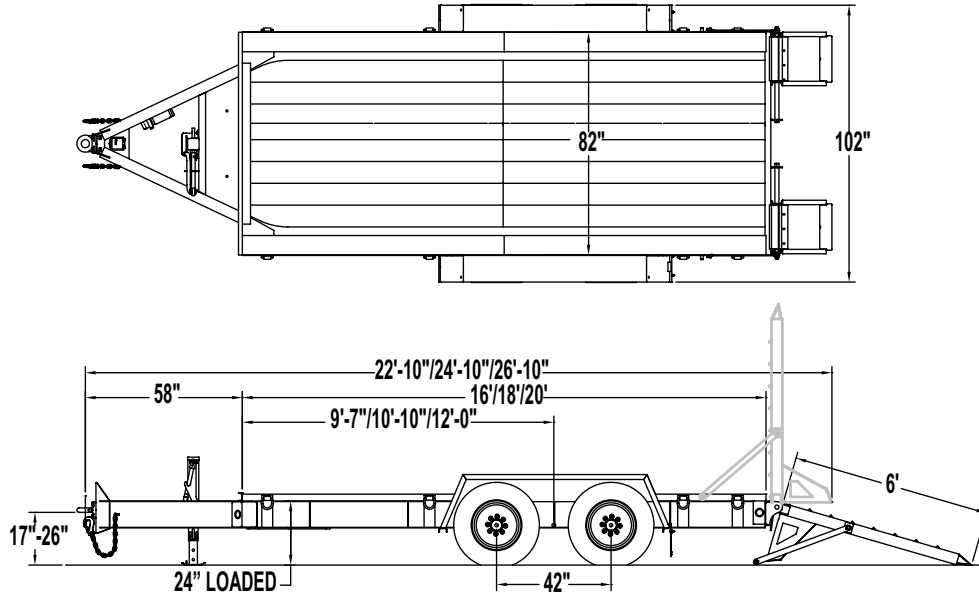
- Limited Lifetime Frame Warranty
- One-Year full Warranty
- 10 Year Suspension Warranty
- Weatherproof registration holder
- Two-component polyurethane primer and paint
- Trailer color: Equipment Black
- Ramp color: Equipment Red

Weights and capacities vary depending upon options. Published weights are reference only.

GAWR (lbs)	GVWR (lbs)	Weight (lbs)	Capacity (lbs)	Deck Width (in)	Deck Length (ft)	MSRP
20,000	23,920	3,920	20,000	82"	16'	\$12,230
20,000	24,410	4,410	20,000	82"	18'	\$12,605
20,000	24,900	4,900	20,000	82"	20'	\$13,050

Other options may be available. Ask your dealer or visit our website.

Listed GVWR, weights and dimensions are for reference only. Manufacturer reserves the right to change models and specifications as they see fit. See our web site or your local authorized dealer for more information.



All dimensions are nominal.
Illustration may be shown with
optional equipment.

Standard Features

Hitch/Tongue

- Adjustable height, bolt-on coupler
- 3" pintle
- RV plug
- One-piece cold-formed frame rails
- Integrated storage tray
- 12K bolt-on, top-wind drop-leg parking jack
- Battery break-away kit w/tow charger & test light
- Safety chains w/hooks

Frame/Deck

- 82" between fenders
- 24" deck height (fully loaded)
- 10" I-beam main frame
- 3" Jr. I-beam crossmembers, 80,000 psi
- 2" nominal white oak wood deck
- 3" sides
- D-ring tie-downs (4 per side)
- 12 ga one-piece formed fender/panel

Ramps/Tail

- 18" x 6'-0" channel sides, cleated ladder style
- Load Angle: 18°
- Solid bar ramp hold-ups
- Spring-assist

Axles/Suspension

- Rubber-ride suspension axles
- (2) 12,000 lb. axles (4 wheels) 42" Axle Spacing
- Tires - 235/75R17.5, load range H, 16-ply
- 17.5" wheels, 8-bolt
- Electric brakes
- Forward self-adjusting brakes
- Oil bath hubs

Lights/Wiring

- Rubber grommet mounted LED lights
- Sealed modular wiring

Standard Features

- Limited Lifetime Frame Warranty
- One-Year full Warranty
- 10 Year Suspension Warranty
- Weatherproof registration holder
- Two-component polyurethane primer and paint
- Trailer color: Equipment Black
- Ramp color: Equipment Red

Weights and capacities vary depending upon options. Published weights are reference only.

GAWR (lbs)	GVWR (lbs)	Weight (lbs)	Capacity (lbs)	Deck Width (in)	Deck Length (ft)	MSRP
24,000	27,920	3,920	20,000	82"	16'	\$14,775
24,000	28,410	4,410	20,000	82"	18'	\$15,130
24,000	28,900	4,900	20,000	82"	20'	\$15,555

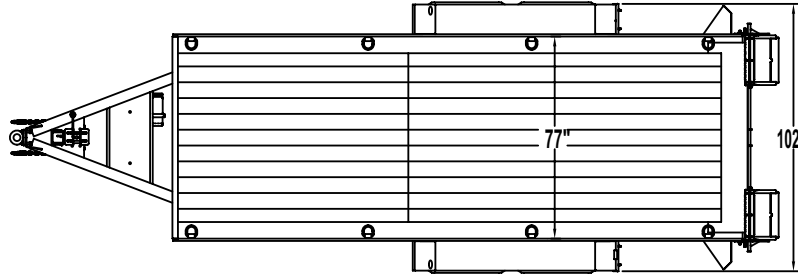
Subject to F.E.T. - deduct \$23.63 per tire
Other options may be available. Ask your dealer or visit our website.

B-4D / B-5D / B-6D / B-7D / B-8D / B-9D / B-10D / B-12D OPTIONS

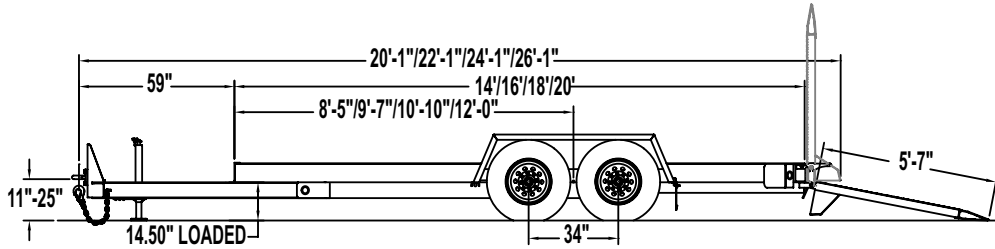
Description	B-4D	B-5D	B-6D	B-7D	B-8D	B-9D	B-10D	B-12D	MSRP
TONGUE / HITCH									
Hydraulic surge brakes with freebacking (check local D.O.T. laws)	•	•	•						\$925
2-5/16" ball coupler	•	•	•						N/C
3" pintle ring	•	•	•						\$65
6-pole round plug	•	•	•						N/C
Electric over hydraulic 12K jack with battery kit	•	•	•	•	•	•	•	•	\$1,825
12K bolt-on side-wind parking jack	•	•							\$185
25K parking jack				•	•	•	•	•	\$185
Lockable storage tray lid	•	•	•	•	•	•	•	•	\$125
Gooseneck (2-5/16" coupler) – 84" swing clearance, 39" hitch height (call if varies), tool box with lid, dual jacks	•	•	•	•	•	•	•	•	\$1,650
MAIN DECK									
Pallet fork holders (N/A on 14 ft. deck)	•	•	•	•	•	•	•	•	\$295
8K electric winch with 95 ft. 5/16" cable, mounted on deck side of headboard (includes battery w/charger)	•	•	•	•	•	•	•	•	\$2,255
D-ring tie downs (each)	•	•	•	•	•	•	•	•	\$35
Rub rail and stake pockets (per foot)	•	•	•	•	•	•	•	•	\$27
Apitong wood deck (per linear foot)	•	•	•	•	•	•	•	•	\$65
Full Width ahead of Fenders	•	•	•	•	•	•	•	•	\$1,095
Full Width ahead of Fenders and Behind	•	•	•	•	•	•	•	•	\$1,295
Side lip down	•	•	•	•	•	•	•	•	\$250
3 ft. wood-topped beavertail with 5 ft. ladder style ramps w/solid bar ramp hold-ups	•	•	•	•	•	•	•	•	\$810
Boring Kit Package (specify model)				•	•	•	•		\$1,025
Side-load paver option, includes: (2) 12K jacks on headboard, steel deck extension ahead of fenders, (2) side load ramps with under-deck ramp storage				•	•	•	•		\$4,500
SUSPENSION									
Spare tire mount bracket, mounted curb side in front of fender (not to be used with rub rails)	•	•	•	•	•	•	•	•	\$165
Spare tire and wheel, 235/85R16	•	•	•						\$230
235/85Rx16, load range "G", 14-ply (in lieu of "E", 10-ply)	•	•	•						\$680
Spare tire and wheel, 215/75R17.5				•	•	•	•		\$480
Spare tire and wheel, 235/75R17.5				•	•	•	•	•	\$520
RAMPS									
Wood filled 5 ft. ramps	•	•	•						\$180
Wood filled 6 ft. ramps (solid bar hold-ups)				•	•	•	•	•	\$275
Full width ramps, 5 ft. long, expanded metal (solid bar hold-ups), spring-assisted	•	•	•						\$895
5 ft. ramps, star traction (solid bar hold-ups)	•	•	•						\$220
6 ft. ramps, star traction (solid bar hold-ups) (2-deg lesser load angle)	•	•	•	•	•	•	•	•	\$325
6 ft. ramps, cleated ladder style (solid bar hold-ups) (2-deg lesser load angle)	•	•	•						\$295

B-4D / B-5D / B-6D / B-7D / B-8D / B-9D / B-10D / B-12D OPTIONS

Description	B-4D	B-5D	B-6D	B-7D	B-8B	B-9D	B-10D	B-12D	MSRP
OTHER									
Special color (no metallic) – color match only – ramps painted to match	•	•	•	•	•	•	•	•	CALL
Hubmeter	•	•	•	•	•	•	•	•	\$138
2 chock blocks with holders, located on rear of fender	•	•	•	•	•	•	•	•	\$220
Galvanizing	•	•	•	•	•	•	•	•	CALL
Trailer color options: Construction Yellow, Equipment Red, Equipment Blue, Equipment Charcoal	•	•	•	•	•	•	•	•	N/C
Change ramp color to black	•	•	•	•	•	•	•	•	N/C
Change ramp color to yellow, blue, charcoal	•	•	•	•	•	•	•	•	\$50



All dimensions are nominal.
Illustration may be shown with optional equipment.



Standard Features

Hitch/Tongue

- Adjustable height, bolt-on coupler
- 2.5" pintle
- RV plug
- One-piece cold-formed frame rails
- Integrated storage tray
- 7K bolt-on top-wind parking jack
- Battery break-away kit w/tow charger & test light
- Safety chains w/hooks

Frame/Deck

- 77" between fenders
- 14.5" deck height (fully loaded)
- 6" I-beam main frame
- 3" Jr. I-beam crossmembers, 80,000 psi
- 2" nominal white oak wood deck
- 7" sides
- D-ring tie-downs (4 per side)
- 12 ga one-piece formed fender/panel

Ramps/Tail

- 18" x 5'-0" channel sides, star plate
- Load angle: 14.5°
- Auto-Latch ramp hold-ups
- Spring-assist

Axles/Suspension

- Rubber-ride suspension axles
- (2) 7,000 lb. axles (4 wheels)
- Tires - 235/85R16, load range F, 12-ply
- 16" wheels, 8-bolt
- Electric brakes
- Forward self-adjusting brakes
- E-Z Lube hubs

Lights/Wiring

- Rubber grommet mounted LED lights
- Sealed modular wiring

Standard Features

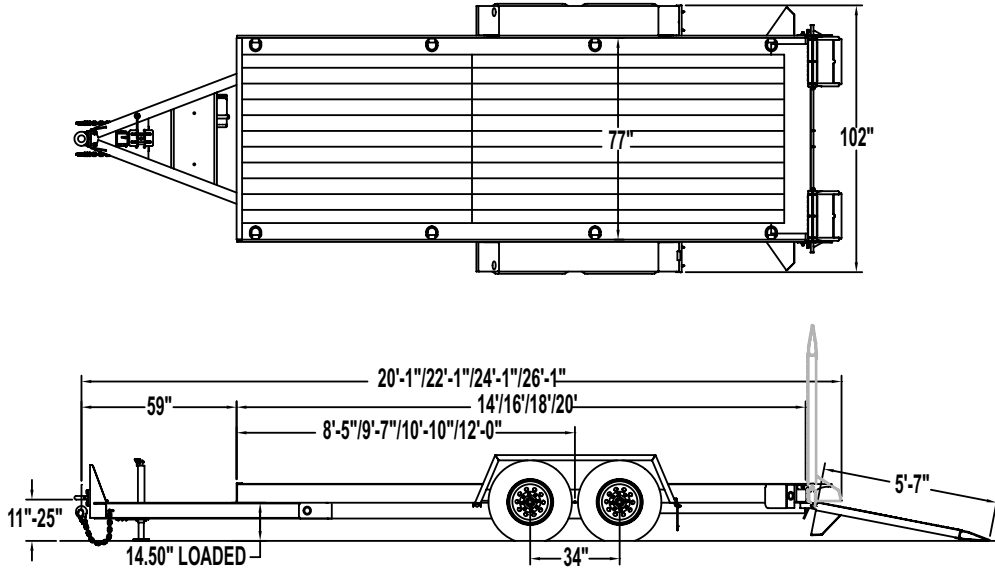
- Limited Lifetime Frame Warranty
- One-Year full Warranty
- 10 Year Suspension Warranty
- Weatherproof registration holder
- Two-component polyurethane primer and paint
- Trailer color: Equipment Black
- Ramp color: Equipment Red

Weights and capacities vary depending upon options. Published weights are reference only.

GAWR (lbs)	GVWR (lbs)	Weight (lbs)	Capacity (lbs)	Deck Width (in)	Deck Length (ft)	MSRP
12,000	9,990	2,940	7,050	77"	14'	\$8,535
12,000	9,990	3,120	6,870	77"	16'	\$9,030
12,000	9,990	3,350	6,640	77"	18'	\$9,595
12,000	9,990	3,570	6,420	77"	20'	\$10,200

Other options may be available. Ask your dealer or visit our website.

All dimensions are nominal.
Illustration may be shown with
optional equipment.



Standard Features

Hitch/Tongue

- Adjustable height, bolt-on coupler
- 2.5" pintle
- RV plug
- One-piece cold-formed frame rails
- Integrated storage tray
- 7K bolt-on top-wind parking jack
- Battery break-away kit w/tow charger & test light
- Safety chains w/hooks

Frame/Deck

- 77" between fenders
- 14.5" deck height (fully loaded)
- 6" I-beam main frame
- 3" Jr. I-beam crossmembers, 80,000 psi
- 2" nominal white oak wood deck
- 7" sides
- D-ring tie-downs (4 per side)
- 12 ga one-piece formed fender/panel

Ramps/Tail

- 18" x 5'-0" channel sides, star plate
- Load angle: 14.5°
- Auto-latch ramp hold-ups
- Spring-assist

Axles/Suspension

- Rubber-ride suspension axles
- (2) 7,000 lb. axles (4 wheels)
- Tires - 235/85R16, load range F, 12-ply
- 16" wheels, 8-bolt
- Electric brakes
- Forward self-adjusting brakes
- E-Z Lube hubs

Lights/Wiring

- Rubber grommet mounted LED lights
- Sealed modular wiring

Standard Features

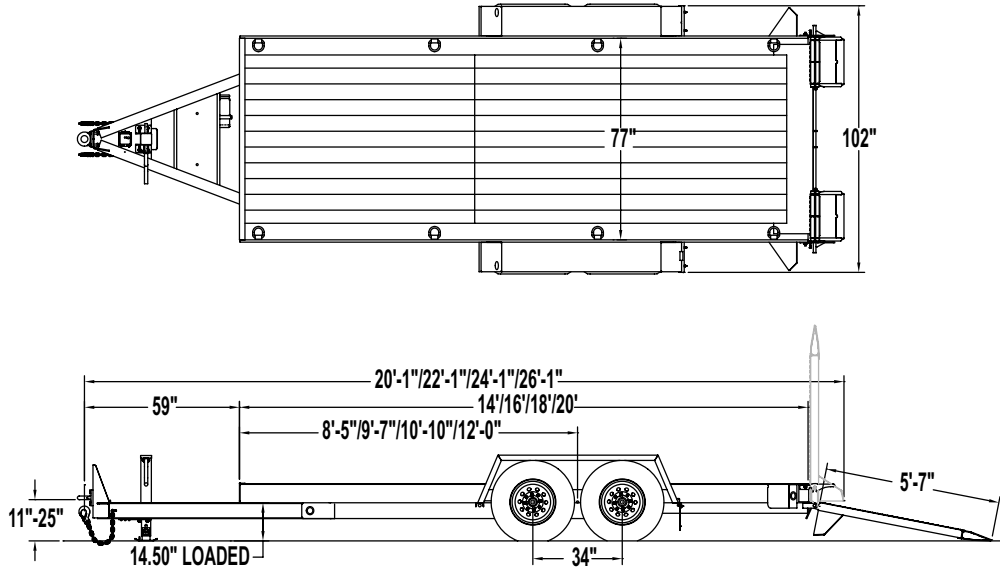
- Limited Lifetime Frame Warranty
- One-Year full Warranty
- 10 Year Suspension Warranty
- Weatherproof registration holder
- Two-component polyurethane primer and paint
- Trailer color: Equipment Black
- Ramp color: Equipment Red

Weights and capacities vary depending upon options. Published weights are reference only.

GAWR (lbs)	GVWR (lbs)	Weight (lbs)	Capacity (lbs)	Deck Width (in)	Deck Length (ft)	MSRP
14,000	12,940	2,940	10,000	77"	14'	\$8,535
14,000	13,120	3,120	10,000	77"	16'	\$9,030
14,000	13,350	3,350	10,000	77"	18'	\$9,595
14,000	13,570	3,570	10,000	77"	20'	\$10,200

Other options may be available. Ask your dealer or visit our website.

Listed GVWR, weights and dimensions are for reference only. Manufacturer reserves the right to change models and specifications as they see fit. See our web site or your local authorized dealer for more information.



All dimensions are nominal.
Illustration may be shown with
optional equipment.

Standard Features

Hitch/Tongue

- Adjustable height, bolt-on coupler
- 2.5" pintle
- RV plug
- One-piece cold-formed frame rails
- Integrated storage tray
- 12K bolt-on top-wind parking jack
- Battery break-away kit w/tow charger & test light
- Safety chains w/hooks

Frame/Deck

- 77" between fenders
- 14.5" deck height (fully loaded)
- 6" I-beam main frame
- 3" Jr. I-beam crossmembers, 80,000 psi
- 2" nominal white oak wood deck
- 7" sides
- D-ring tie-downs (4 per side)
- 12 ga one-piece formed fender/panel

Ramps/Tail

- 18" x 5'-0" channel sides, star plate
- Load angle: 14.5°
- Auto-Latch ramp hold-ups
- Spring-assist

Axles/Suspension

- Rubber-ride suspension axles
- (2) 7,000 lb. axles (4 wheels)
- Tires - 235/85R16, load range F, 12-ply
- 16" wheels, 8-bolt
- Electric brakes
- Forward self-adjusting brakes
- E-Z Lube hubs

Lights/Wiring

- Rubber grommet mounted LED lights
- Sealed modular wiring

Standard Features

- Limited Lifetime Frame Warranty
- One-Year full Warranty
- 10 Year Suspension Warranty
- Weatherproof registration holder
- Two-component polyurethane primer and paint
- Trailer color: Equipment Black
- Ramp color: Equipment Red

Weights and capacities vary depending upon options. Published weights are reference only.

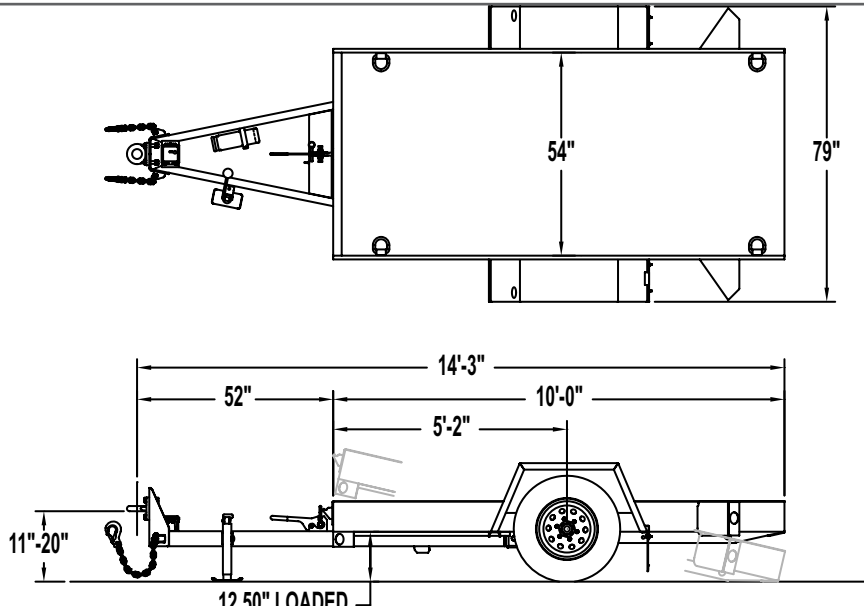
GAWR (lbs)	GVWR (lbs)	Weight (lbs)	Capacity (lbs)	Deck Width (in)	Deck Length (ft)	MSRP
14,000	14,940	2,940	12,000	77"	14'	\$8,560
14,000	15,120	3,120	12,000	77"	16'	\$9,045
14,000	15,350	3,350	12,000	77"	18'	\$9,645
14,000	15,570	3,570	12,000	77"	20'	\$10,245

Other options may be available. Ask your dealer or visit our website.

Listed GVWR, weights and dimensions are for reference only. Manufacturer reserves the right to change models and specifications as they see fit. See our web site or your local authorized dealer for more information.

B-4P / B-5P / B-6P OPTIONS

Description	B-4P	B-5P	B-6P	MSRP
TONGUE / HITCH				
Hydraulic surge brakes with freebacking (check local D.O.T. laws)	•	•	•	\$925
2-5/16" ball coupler	•	•	•	N/C
3" pintle ring	•	•	•	\$65
6-pole round plug	•	•	•	N/C
12K bolt-on parking jack	•	•		\$185
Lockable storage tray lid	•	•	•	\$125
Gooseneck (2-5/16" coupler) – 84" swing clearance, 39" hitch height (call if varies), tool box with lid, dual jacks	•	•	•	\$1,650
MAIN DECK				
Steel 7 ga. Plate floor in lieu of wood, per foot	•	•	•	\$55
Steel 3/16" diamond plate floor in lieu of wood, per foot	•	•	•	\$110
Apitong wood deck (per linear foot)	•	•	•	\$65
Pallet fork holders (N/A on 14 ft. deck)	•	•	•	\$295
8K electric winch with 95 ft. 5/16" cable, mounted on deck side of headboard (includes battery w/charger)	•	•	•	\$2,255
Additional D-ring tie downs (each)	•	•	•	\$35
SUSPENSION				
Spare tire mount bracket, mounted curb side in front of fender	•	•	•	\$165
Spare tire and wheel, 235/85R16	•	•	•	\$230
235/85Rx16, load range "G", 14-ply upgrade (in lieu of "E", 10-ply)	•	•	•	\$680
RAMPS				
Wood filled 5 ft. ramps	•	•	•	\$180
Full width ramps, 5 ft. long, expanded metal (solid bar hold-ups), spring-assisted	•	•	•	\$895
6 ft. scissor lift ramps, star traction (10 deg. Load angle - solid bar hold-ups)	•	•	•	\$395
OTHER				
Special color (no metallic) – color match only – ramps painted to match	•	•	•	CALL
2 chock blocks with holders, located on rear of fender	•	•	•	\$220
Galvanizing	•	•	•	CALL
Trailer color options: Construction Yellow, Equipment Red, Equipment Blue, Equipment Charcoal	•	•	•	N/C
Change ramp color to black	•	•	•	N/C
Change ramp color to yellow, blue, charcoal	•	•	•	\$50



All dimensions are nominal.
Illustration may be shown with
optional equipment.

Standard Features

Hitch/Tongue

- Adjustable height, bolt-on coupler
- 2.5" pintle ring
- RV plug
- 5K bolt-on swing-up parking jack
- Battery break-away kit w/tow charger & test light
- Safety chains w/hooks

Frame/Deck

- 54" load width, 12.5" deck height (fully loaded)
- Single-point deck lock
- 4x2" tubing main frame
- 3" Jr. I-beam crossmembers, 80,000 psi
- 10 ga. one-piece steel pan deck
- 8" tall sides
- D-rings (2 per side)
- 12 ga one-piece formed fender/panel

Ramps/Tail

- 14° load angle

Axles/Suspension

- Rubber-ride suspension axle
- (1) 3,500 lb. axle (2 wheels)
- Tires - ST225/75R15 load range E, 8-ply
- 15" wheels, 6-bolt
- Electric brakes
- Forward self-adjusting brakes
- EZ Lube hubs

Lights/Wiring

- Rubber grommet mounted LED lights
- Sealed modular wiring

Standard Features

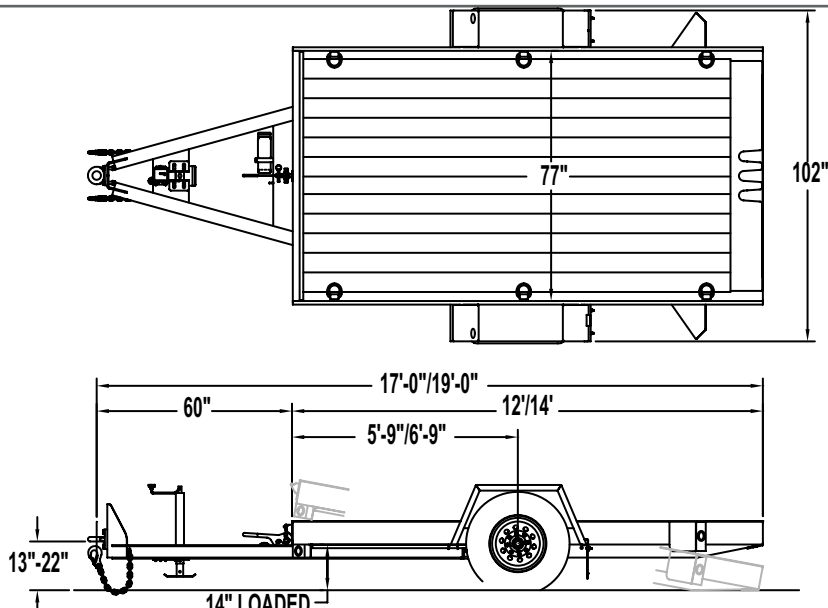
- Limited Lifetime Frame Warranty
- One-Year full Warranty
- 10 Year Suspension Warranty
- Weatherproof registration holder
- Two-component polyurethane primer and paint
- Trailer color: Equipment Black

Weights and capacities vary depending upon options. Published weights are reference only.

GAWR (lbs)	GVWR (lbs)	Weight (lbs)	Capacity (lbs)	Deck Width (in)	Deck Length (ft)	MSRP
3,500	4,240	1,240	3,000	54"	10'	\$5,185

Other options may be available. Ask your dealer or visit our website.

Listed GVWR, weights and dimensions are for reference only. Manufacturer reserves the right to change models and specifications as they see fit. See our web site or your local authorized dealer for more information.



All dimensions are nominal.
Illustration may be shown with
optional equipment.

Standard Features

Hitch/Tongue

- Adjustable height, bolt-on coupler
- 2.5" pintle
- RV plug
- 7K bolt-on parking jack
- Battery break-away kit w/tow charger & test light
- Safety chains w/hooks

Frame/Deck

- 77" load width, 14" deck height (fully loaded)
- Single-point deck lock
- 4" I-beam main frame
- 3" Jr. I-beam crossmembers, 80,000 psi
- 2" nominal white oak wood deck
- 7" tall sides
- D-rings (3 per side)
- 12 ga one-piece formed fender/panel

Ramps/Tail

- 12°/10° load angle

Axles/Suspension

- Rubber-ride suspension axle
- (1) 7,000 lb. axle (2 wheels)
- Tires - 235/85R16 load range F (12-ply)
- 16" wheels, 8-bolt
- Electric brakes
- Forward self-adjusting brakes
- E-Z Lube hubs

Lights/Wiring

- Rubber grommet mounted LED lights
- Sealed modular wiring

Standard Features

- Limited Lifetime Frame Warranty
- One-Year full Warranty
- 10 Year Suspension Warranty
- Weatherproof registration holder
- Two-component polyurethane primer and paint
- Trailer color: Equipment Black

Weights and capacities vary depending upon options. Published weights are reference only.

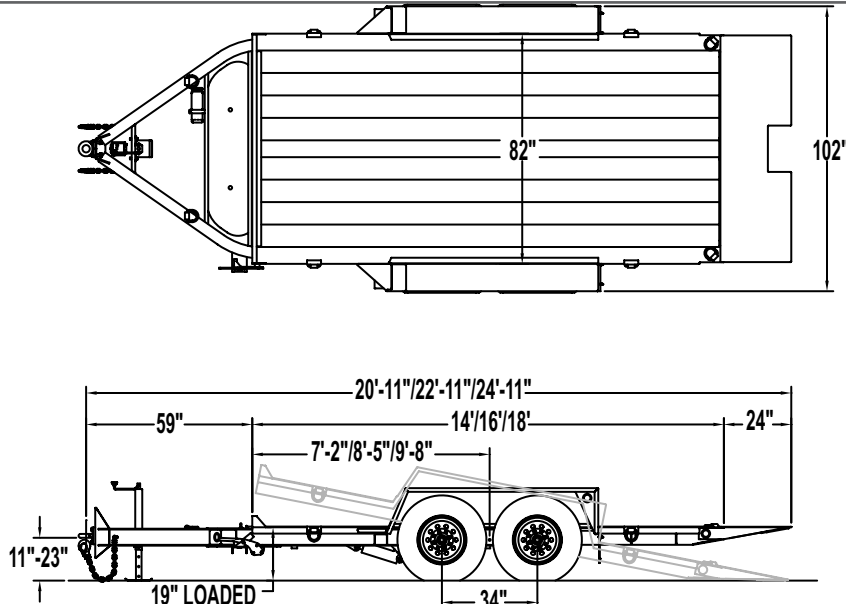
GAWR (lbs)	GVWR (lbs)	Weight (lbs)	Capacity (lbs)	Deck Width (in)	Deck Length (ft)	MSRP
7,000	8,000	2,000	6,000	77"	12'	\$6,085
7,000	8,230	2,230	6,000	77"	14'	\$6,370

Other options may be available. Ask your dealer or visit our website.

Listed GVWR, weights and dimensions are for reference only. Manufacturer reserves the right to change models and specifications as they see fit. See our web site or your local authorized dealer for more information.

B-2DT / B-3DT OPTIONS

Description	B-2DT	B-3DT	MSRP
TONGUE / HITCH			
Hydraulic surge brakes with freebacking (check local D.O.T. laws)	•	•	\$795
2-5/16" ball coupler	•	•	N/C
3" pintle ring		•	\$65
6-pole round plug	•	•	N/C
MAIN DECK			
Oak wood in lieu of steel	•		\$275
Apitong, price per foot	•	•	\$65
Steel 7 ga. plate floor in lieu of wood, price per foot		•	\$55
Spare Tire Mounting Bracket curb side tongue		•	\$165
Add tie downs (each)	•	•	\$35
Deck cushion cylinder	•	•	\$680
SUSPENSION			
Spare tire and wheel, ST225/75R15	•		\$195
Spare tire and wheel, 235/85R16		•	\$230
RAMPS			
Scissor Lift (SL) Option (ramps are red)		•	\$725
OTHER			
Special color (no metallic) – color match only	•	•	CALL
2 chock blocks with holder, located on rear of fender	•	•	\$220
Galvanizing	•	•	CALL
Trailer color options: Construction Yellow, Equipment Red, Equipment Blue, Equipment Charcoal	•	•	N/C
Change ramp color to black	•	•	N/C
Change ramp color to yellow, blue, charcoal	•	•	\$50



All dimensions are nominal.
Illustration may be shown with
optional equipment.

Standard Features

Hitch/Tongue

- Adjustable height, bolt-on coupler
- 2.5" pintle
- RV plug
- One-piece cold-formed frame rails
- Integrated storage tray
- 7K bolt-on top-wind parking jack
- Battery break-away kit w/tow charger & test light
- Safety chains w/hooks

Frame/Deck

- 82" load width, 19" deck height (fully loaded)
- Deck cushion cylinder
- Dual-point, single lever deck lock
- 6" I-beam main frame
- 3" channel crossmembers
- 2" nom. white oak deck
- D-ring tie-downs (4 per side)
- 12 ga one-piece formed fender/panel

Ramps/Tail

- 13°/12°/11° load angle

Axles/Suspension

- Rubber-ride suspension axles
- (2) 7,000 lb. axles (4 wheels)
- Tires - 235/85R16, load range F, 12-ply
- 16" wheels, 8-bolt
- Electric brakes
- Forward self-adjusting brakes
- EZ Lube hubs

Lights/Wiring

- Rubber grommet mounted LED lights
- Sealed modular wiring

Standard Features

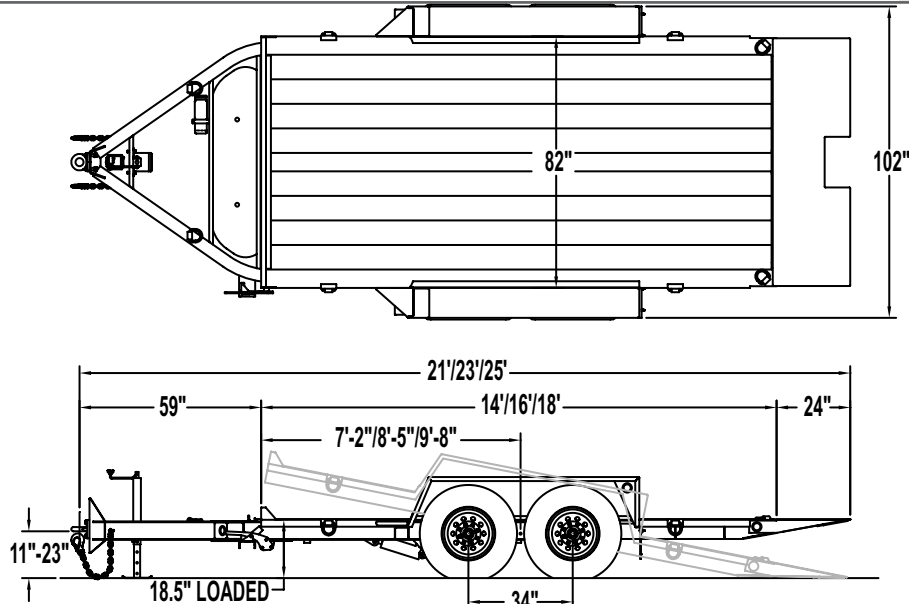
- Limited Lifetime Frame Warranty
- One-Year full Warranty
- 10 Year Suspension Warranty
- Weatherproof registration holder
- Two-component polyurethane primer and paint
- Trailer color: Equipment Black

Weights and capacities vary depending upon options. Published weights are reference only.

GAWR (lbs)	GVWR (lbs)	Weight (lbs)	Capacity (lbs)	Deck Width (in)	Deck Length (ft)	MSRP
14,000	9,990	3,520	6,470	82"	14'	\$8,710
14,000	9,990	3,820	6,170	82"	16'	\$9,045
14,000	9,990	4,120	5,870	82"	18'	\$9,815

Other options may be available. Ask your dealer or visit our website.

Listed GVWR, weights and dimensions are for reference only. Manufacturer reserves the right to change models and specifications as they see fit. See our web site or your local authorized dealer for more information.



All dimensions are nominal.
Illustration may be shown with
optional equipment.

Standard Features

Hitch/Tongue

- Adjustable height, bolt-on coupler
- 2.5" pintle
- RV plug
- One-piece cold-formed frame rails
- Integrated storage tray
- 7K bolt-on top-wind parking jack
- Battery break-away kit w/tow charger & test light
- Safety chains w/hooks

Frame/Deck

- 82" load width, 18.5" deck height (fully loaded)
- Deck cushion cylinder
- Dual-point, single lever deck lock
- 6" I-beam main frame
- 3" channel crossmembers
- 2" nom. white oak deck
- D-ring tie-downs (4 per side)
- 12 ga one-piece formed fender/panel

Ramps/Tail

- 13°/12°/11° load angle

Axles/Suspension

- Rubber-ride suspension axles
- (2) 7,000 lb. axles (4 wheels)
- Tires - 235/85R16, load range F, 12-ply
- 16" wheels, 8-bolt
- Electric brakes
- Forward self-adjusting brakes
- EZ Lube hubs

Lights/Wiring

- Rubber grommet mounted LED lights
- Sealed modular wiring

Standard Features

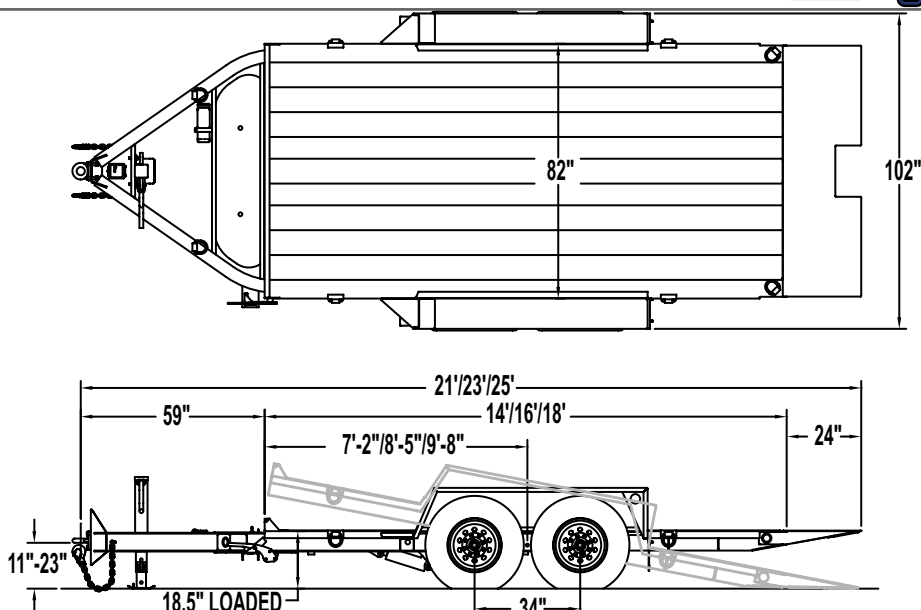
- Limited Lifetime Frame Warranty
- One-Year full Warranty
- 10 Year Suspension Warranty
- Weatherproof registration holder
- Two-component polyurethane primer and paint
- Trailer color: Equipment Black

Weights and capacities vary depending upon options. Published weights are reference only.

GAWR (lbs)	GVWR (lbs)	Weight (lbs)	Capacity (lbs)	Deck Width (in)	Deck Length (ft)	MSRP
14,000	13,520	3,520	10,000	82"	14'***	\$8,710
14,000	13,820	3,820	10,000	82"	16'	\$9,045
14,000	14,120	4,120	10,000	82"	18'	\$9,815

** 4' stationary deck required

Other options may be available. Ask your dealer or visit our website.



All dimensions are nominal.
Illustration may be shown with
optional equipment.

Standard Features

Hitch/Tongue

- Adjustable height, bolt-on coupler
- 2.5" pintle
- RV plug
- One-piece cold-formed frame rails
- Integrated storage tray
- 12K bolt-on top-wind parking jack
- Battery break-away kit w/tow charger & test light
- Safety chains w/hooks

Frame/Deck

- 82" load width, 18.5" deck height (fully loaded)
- Deck cushion cylinder
- Dual-point, single lever deck lock
- 6" I-beam main frame
- 3" channel crossmembers
- 2" nom. white oak deck
- D-ring tie-downs (4 per side)
- 12 ga one-piece formed fender/panel

Ramps/Tail

- 13°/12°/11° load angle

Axles/Suspension

- Rubber-ride suspension axles
- (2) 7,000 lb. axles (4 wheels)
- Tires - 235/85R16, load range F, 12-ply
- 16" wheels, 8-bolt
- Electric brakes
- Forward self-adjusting brakes
- EZ Lube hubs

Lights/Wiring

- Rubber grommet mounted LED lights
- Sealed modular wiring

Standard Features

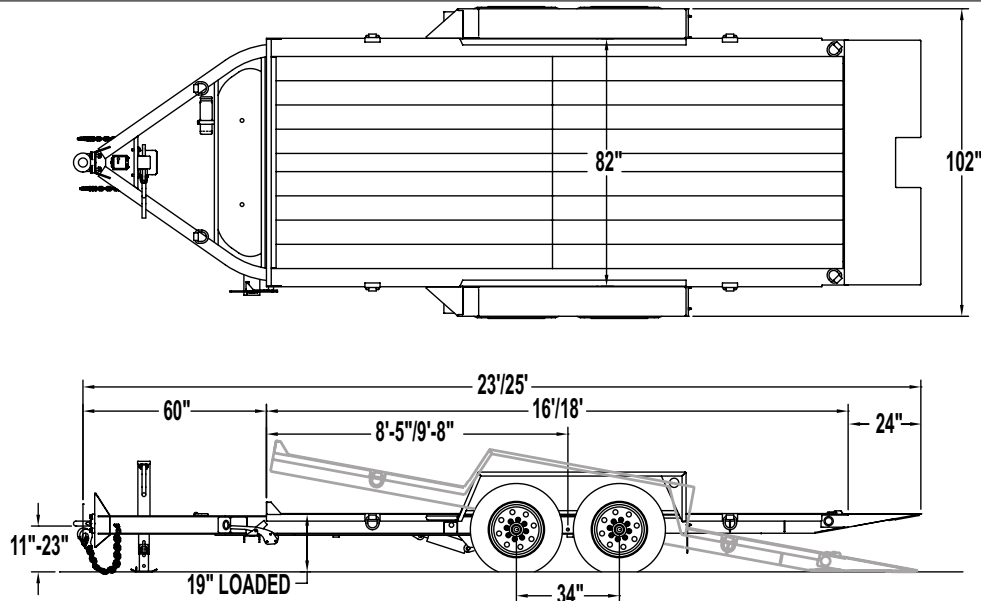
- Limited Lifetime Frame Warranty
- One-Year full Warranty
- 10 Year Suspension Warranty
- Weatherproof registration holder
- Two-component polyurethane primer and paint
- Trailer color: Equipment Black

Weights and capacities vary depending upon options. Published weights are reference only.

GAWR (lbs)	GVWR (lbs)	Weight (lbs)	Capacity (lbs)	Deck Width (in)	Deck Length (ft)	MSRP
14,000	15,520	3,520	12,000	82"	14'**	\$8,730
14,000	15,820	3,820	12,000	82"	16'	\$9,090
14,000	16,120	4,120	12,000	82"	18'	\$9,850

** 4' stationary deck required

Other options may be available. Ask your dealer or visit our website.



All dimensions are nominal.
Illustration may be shown with
optional equipment.

Standard Features

Hitch/Tongue

- Adjustable height, bolt-on coupler
- 3" pintle
- RV plug
- One-piece cold-formed frame rails
- Integrated storage tray
- 12K bolt-on side-wind parking jack
- Battery break-away kit w/tow charger & test light
- Safety chains w/hooks

Frame/Deck

- 82" load width, 19" deck height (fully loaded)
- Deck cushion cylinder
- Dual-point, single lever deck lock
- 6" I-beam main frame
- 3" channel crossmembers
- 2" nom. white oak deck
- D-ring tie-downs (4 per side)
- 12 ga one-piece formed fender/panel

Ramps/Tail

- 13°/12° load angle

Axles/Suspension

- Rubber-ride suspension axles
- (2) 7,200 lb. axles (4 wheels)
- Tires - 215/75R17.5 load range H, 16-ply
- 17.5" wheels, 8-bolt
- Electric brakes
- EZ Lube hubs

Lights/Wiring

- Rubber grommet mounted LED lights
- Sealed modular wiring

Standard Features

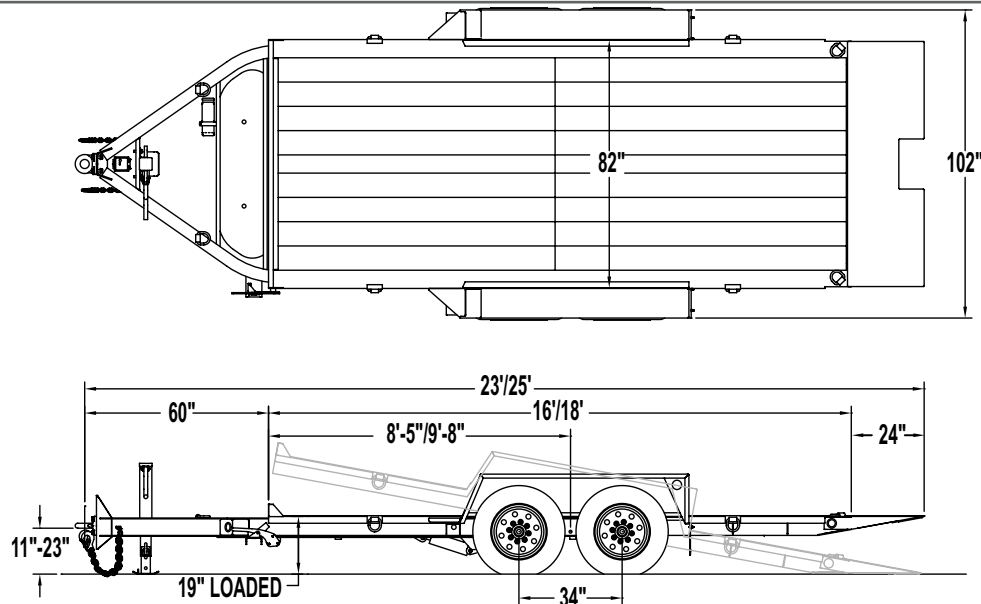
- Limited Lifetime Frame Warranty
- One-Year full Warranty
- 10 Year Suspension Warranty
- Weatherproof registration holder
- Two-component polyurethane primer and paint
- Trailer color: Equipment Black

Weights and capacities vary depending upon options. Published weights are reference only.

GAWR (lbs)	GVWR (lbs)	Weight (lbs)	Capacity (lbs)	Deck Width (in)	Deck Length (ft)	MSRP
14,400	17,920	3,920	14,000	82"	16'	\$10,745
14,400	18,220	4,220	14,000	82"	18'	\$11,685

Other options may be available. Ask your dealer or visit our website.

Listed GVWR, weights and dimensions are for reference only. Manufacturer reserves the right to change models and specifications as they see fit. See our web site or your local authorized dealer for more information.



All dimensions are nominal.
Illustration may be shown with
optional equipment.

Standard Features

Hitch/Tongue

- Adjustable height, bolt-on coupler
- 3" pintle
- RV plug
- One-piece cold-formed frame rails
- Integrated storage tray
- 12K bolt-on side-wind parking jack
- Battery break-away kit w/tow charger & test light
- Safety chains w/hooks

Frame/Deck

- 82" load width, 19" deck height (fully loaded)
- Deck cushion cylinder
- Dual-point, single lever deck lock
- 6" I-beam main frame
- 3" channel crossmembers
- 2" nom. white oak deck
- D-ring tie-downs (4 per side)
- 12 ga one-piece formed fender/panel

Ramps/Tail

- 13°/12° load angle

Axes/Suspension

- Rubber-ride suspension axles
- (2) 8,000 lb. axles (4 wheels)
- Tires - 215/75R17.5 load range H, 16-ply
- 17.5" wheels, 8-bolt
- Electric brakes
- EZ Lube hubs

Lights/Wiring

- Rubber grommet mounted LED lights
- Sealed modular wiring

Standard Features

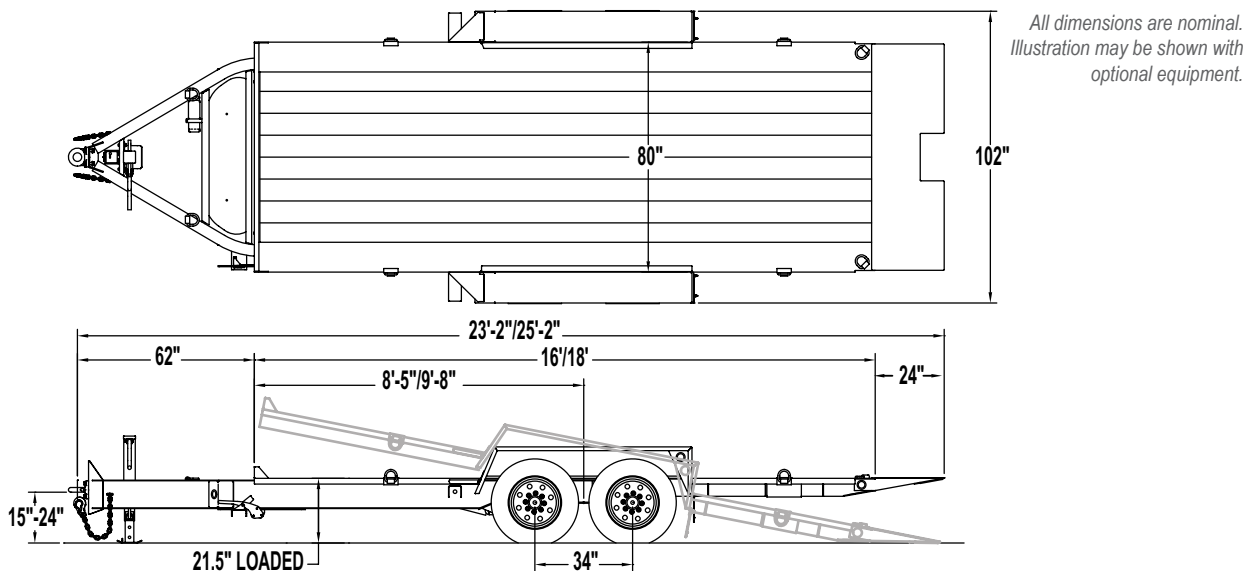
- Limited Lifetime Frame Warranty
- One-Year full Warranty
- 10 Year Suspension Warranty
- Weatherproof registration holder
- Two-component polyurethane primer and paint
- Trailer color: Equipment Black

Weights and capacities vary depending upon options. Published weights are reference only.

GAWR (lbs)	GVWR (lbs)	Weight (lbs)	Capacity (lbs)	Deck Width (in)	Deck Length (ft)	MSRP
16,000	19,920	3,920	16,000	82"	16'	\$13,240
16,000	20,220	4,220	16,000	82"	18'	\$14,170

Other options may be available. Ask your dealer or visit our website.

Listed GVWR, weights and dimensions are for reference only. Manufacturer reserves the right to change models and specifications as they see fit. See our web site or your local authorized dealer for more information.



Standard Features

Hitch/Tongue

- Adjustable height, bolt-on coupler
- 3" pintle
- RV plug
- One-piece cold-formed frame rails
- Integrated storage tray
- 12K bolt-on side-wind parking jack
- Battery break-away kit w/tow charger & test light
- Safety chains w/hooks

Frame/Deck

- 80" load width, 19" deck height (fully loaded)
- Deck cushion cylinder
- Dual-point, single lever deck lock
- 10" I-beam main frame
- 3" channel crossmembers
- 2" nom. white oak deck
- D-ring tie-downs (4 per side)
- 12 ga one-piece formed fender/panel

Ramps/Tail

- 13°/12° load angle

Axles/Suspension

- Rubber-ride suspension axles
- (2) 10,000 lb. axles (4 wheels)
- Tires - 215/75R17.5 load range H, 16-ply
- 17.5" wheels, 8-bolt
- Electric brakes
- Oil Bath Hubs

Lights/Wiring

- Rubber grommet mounted LED lights
- Sealed modular wiring

Standard Features

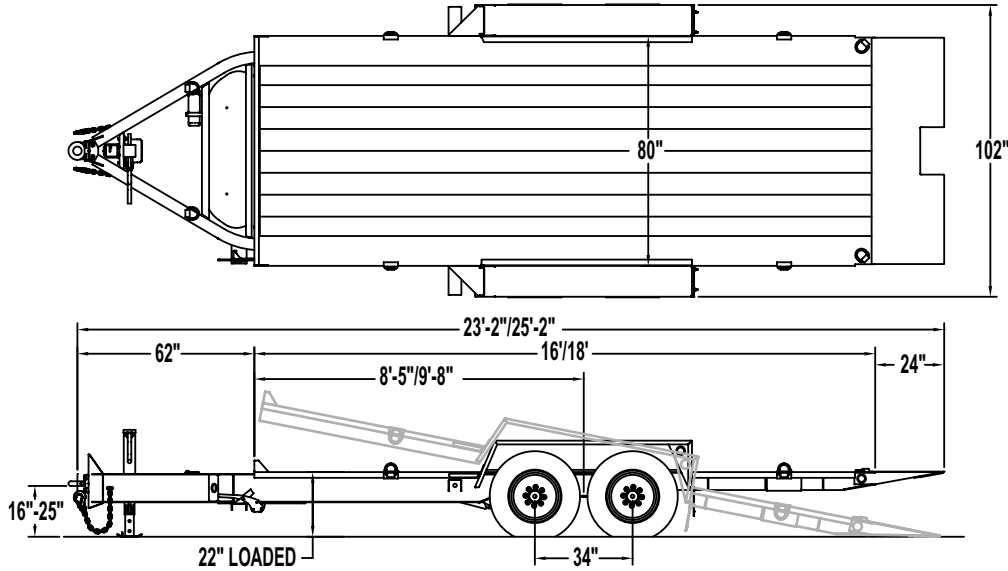
- Limited Lifetime Frame Warranty
- One-Year full Warranty
- 10 Year Suspension Warranty
- Weatherproof registration holder
- Two-component polyurethane primer and paint
- Trailer color: Equipment Black

Weights and capacities vary depending upon options. Published weights are reference only.

GAWR (lbs)	GVWR (lbs)	Weight (lbs)	Capacity (lbs)	Deck Width (in)	Deck Length (ft)	MSRP
19,220	22,400	4,400	18,000	80"	16'	\$16,630
19,220	22,700	4,700	18,000	80"	18'	\$17,520

Other options may be available. Ask your dealer or visit our website.

Listed GVWR, weights and dimensions are for reference only. Manufacturer reserves the right to change models and specifications as they see fit. See our web site or your local authorized dealer for more information.



All dimensions are nominal.
 Illustration may be shown with
 optional equipment.

Standard Features

Hitch/Tongue

- Adjustable height, bolt-on coupler
- 3" pintle
- RV plug
- One-piece cold-formed frame rails
- Integrated storage tray
- 12K bolt-on side-wind parking jack
- Battery break-away kit w/tow charger & test light
- Safety chains w/hooks

Frame/Deck

- 80" load width, 19" deck height (fully loaded)
- Deck cushion cylinder
- Dual-point, single lever deck lock
- 10" I-beam main frame
- 3" channel crossmembers
- 2" nom. white oak deck
- D-ring tie-downs (4 per side)
- 12 ga one-piece formed fender/panel

Ramps/Tail

- 13°/12° load angle

Axles/Suspension

- Rubber-ride suspension axles
- (2) 10,000 lb. axles (4 wheels)
- Tires - 235/75R17.5 load range H, 16-ply
- 17.5" wheels, 8-bolt
- Electric brakes
- Oil Bath Hubs

Lights/Wiring

- Rubber grommet mounted LED lights
- Sealed modular wiring

Standard Features

- Limited Lifetime Frame Warranty
- One-Year full Warranty
- 10 Year Suspension Warranty
- Weatherproof registration holder
- Two-component polyurethane primer and paint
- Trailer color: Equipment Black

Weights and capacities vary depending upon options. Published weights are reference only.

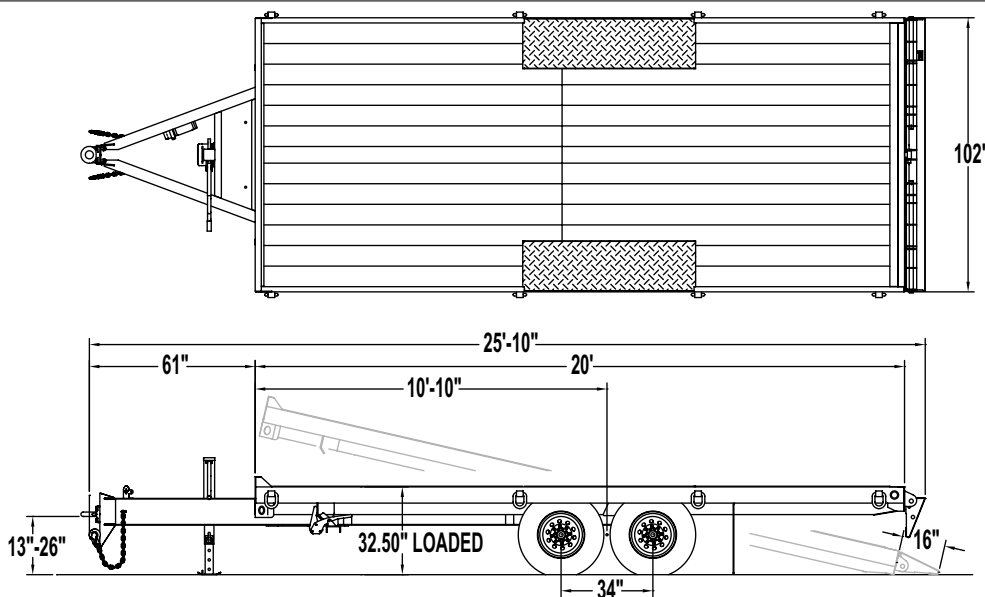
GAWR (lbs)	GVWR (lbs)	Weight (lbs)	Capacity (lbs)	Deck Width (in)	Deck Length (ft)	MSRP
19,220	24,400	4,400	20,000	80"	16'	\$17,550
19,220	24,700	4,700	20,000	80"	18'	\$18,345

Other options may be available. Ask your dealer or visit our website.

Listed GVWR, weights and dimensions are for reference only. Manufacturer reserves the right to change models and specifications as they see fit. See our web site or your local authorized dealer for more information.

B-4DT / B-5DT / B-6DT / B-7DT / B-8DT / B-9DT / B-10DT OPTIONS

Description -	B-4DT	B-5DT	B-6DT	B-7DT	B-8DT	B-9DT	B-10DT	MSRP
TONGUE / HITCH								
Hydraulic surge brakes with freebacking (check local D.O.T. laws)	•	•	•					\$925
2-5/16" ball coupler	•	•	•	•	•	•	•	N/C
3" pintle ring	•	•	•					\$65
6-pole round plug	•	•	•	•	•	•	•	N/C
12K bolt-on side-wind parking jack	•	•						\$185
12K spring foot jack			•	•	•	•	•	\$50
25K 2-speed parking jack upgrade			•	•	•	•	•	\$185
Lockable storage tray lid	•	•	•	•	•	•	•	\$125
Gooseneck (2-5/16" coupler) – 84" swing clearance, 39" hitch height (call if varies), tool box with lid, dual jacks	•	•	•	•	•	•	•	\$1,650
MAIN DECK								
Pallet fork holders (on 16 ft. or longer decks only)	•	•	•	•	•	•	•	\$295
8K electric winch with 60 ft. 3/8" cable, mounted on front side of headboard (includes battery w/charger)	•	•	•	•	•	•	•	\$2,255
8K electric winch with 60 ft. 3/8" cable, mounted on a receiver tube (stand up winch) (includes battery w/charger) (mounted in toolbox will have split lids)	•	•	•	•	•	•	•	\$3,255
4' stationary deck option (adds 400 lbs. to GVWR)	•	•	•	•	•	•	•	\$995
5' stationary deck option (adds 500 lbs. to GVWR)	•	•	•	•	•	•	•	\$1,150
6' stationary deck option (adds 600 lbs. to GVWR)	•	•	•	•	•	•	•	\$1,300
Apitong (per foot)	•	•	•	•	•	•	•	\$65
Rub rail & stake pockets	•	•	•	•	•	•	•	\$27
Additional tie-downs (each)	•	•	•	•	•	•	•	\$35
SUSPENSION								
Spare tire mount bracket (inside tongue) - must have at least 12K jack	•	•	•	•	•	•	•	\$165
Spare tire and wheel, 235/85R16	•	•	•					\$230
235/85Rx16, load range "G", 14-ply upgrade (in lieu of "E", 10-ply)	•	•	•					\$680
Spare tire and wheel, 235/75R 17.5							•	\$520
Spare tire and wheel, 215/75R17.5				•	•	•		\$480
OTHER								
Special color (no metallic) – color match only – ramps painted to match	•	•	•	•	•	•	•	CALL
2 chock blocks with holders, located on rear of fender	•	•	•	•	•	•	•	\$220
Galvanizing	•	•	•	•	•	•	•	CALL
Hubmeter	•	•	•	•	•	•	•	\$138
Trailer color options: Construction Yellow, Equipment Red, Equipment Blue, Equipment Charcoal	•	•	•	•	•	•	•	N/C
Change ramp color to black	•	•	•	•	•	•	•	N/C
Change ramp color to yellow, blue, charcoal	•	•	•	•	•	•	•	N/C
Wood Topped Rack 48"Tx 48"L & as wide as trailer	•	•	•	•	•	•	•	\$1,295



All dimensions are nominal.
Illustration may be shown with
optional equipment.

Standard Features

Hitch/Tongue

- Adjustable height, bolt-on coupler
- 3" pintle
- RV plug
- One-piece cold-formed frame rails
- Integrated storage tray
- 12K bolt-on side-wind drop-leg park jack
- Battery break-away kit w/tow charger & test light
- Safety chains w/hooks

Frame/Deck

- 20' deck (stationary deck optional)
- 102" load width
- 32.5" deck height (fully loaded)
- 10" I-beam main frame
- 3" Jr. I-beam cross members
- 2" nominal white oak wood deck
- D-Rings (4 per side)

Ramps/Tail

- Under-ride protection

Axles/Suspension

- Rubber-ride suspension axles
- (2) 7,000 lb. axles
- Tires - 235/85R16, load range F, 12-ply
- 16" wheels, 8-bolt (4 Wheels)
- Electric brakes
- Forward self-adjusting brakes
- EZ Lube hubs

Lights/Wiring

- Rubber grommet mounted LED lights
- Sealed modular wiring

Standard Features

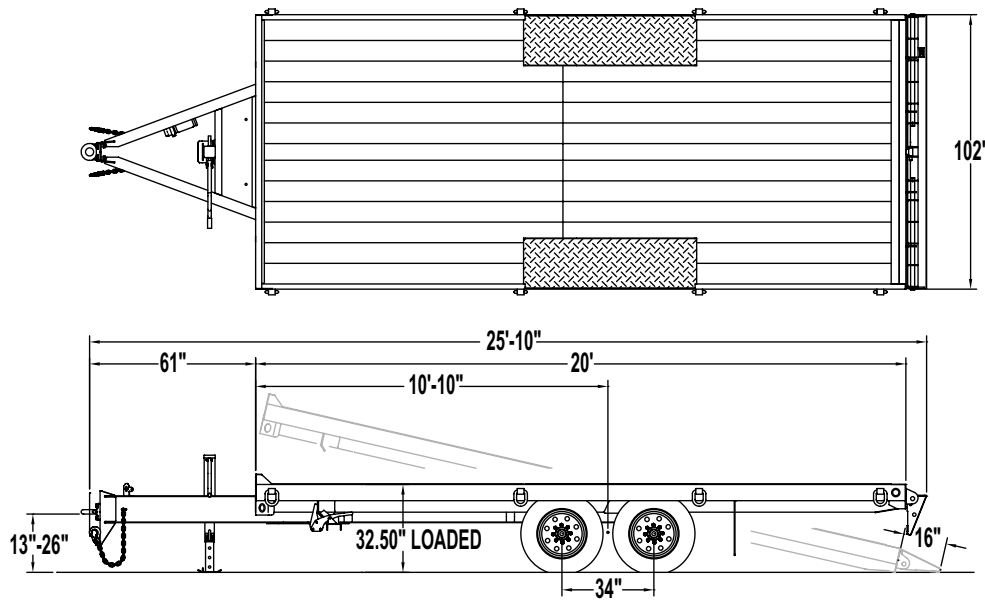
- Limited Lifetime Frame Warranty
- One-Year full Warranty
- 10-year Suspension Warranty
- Weatherproof registration holder
- Two-component polyurethane primer and paint

Weights and capacities vary depending upon options. Published weights are reference only.

GAWR (lbs)	GVWR (lbs)	Weight (lbs)	Capacity (lbs)	Deck Width (in)	Deck Length (ft)	MSRP
14,000	17,040	5,040	12,000	101.5"	20'	\$15,115

Other options may be available. Ask your dealer or visit our website.

Listed GVWR, weights and dimensions are for reference only. Manufacturer reserves the right to change models and specifications as they see fit. See our web site or your local authorized dealer for more information.



All dimensions are nominal.
Illustration may be shown with
optional equipment.

Standard Features

Hitch/Tongue

- Adjustable height, bolt-on coupler
- 3" pintle
- RV plug
- One-piece cold-formed frame rails
- Integrated storage tray
- 12K bolt-on side-wind drop-leg park jack
- Battery break-away kit w/tow charger & test light
- Safety chains w/hooks

Frame/Deck

- 20' deck (stationary deck optional)
- 102" load width
- 32.5" deck height (fully loaded)
- 10" I-beam main frame
- 3" Jr. I-beam cross members
- 2" nominal white oak wood deck
- D-Rings (4 per side)

Ramps/Tail

- Under-ride protection

Axles/Suspension

- Rubber-ride suspension axles
- (2) 7,200 lb. axles
- Tires - 215/75R 17.5, load range H, 16-ply
- 17.5" wheels, 8-bolt (4 Wheels)
- Electric brakes
- Forward self-adjusting brakes
- EZ Lube hubs

Lights/Wiring

- Rubber grommet mounted LED lights
- Sealed modular wiring

Standard Features

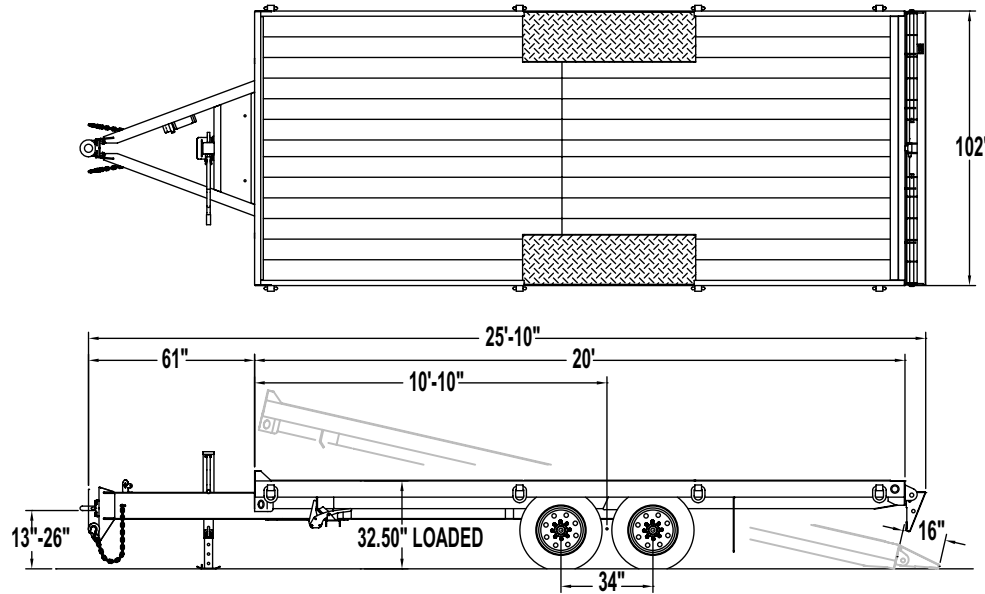
- Limited Lifetime Frame Warranty
- One-Year full Warranty
- 10-year Suspension Warranty
- Weatherproof registration holder
- Two-component polyurethane primer and paint

Weights and capacities vary depending upon options. Published weights are reference only.

GAWR (lbs)	GVWR (lbs)	Weight (lbs)	Capacity (lbs)	Deck Width (in)	Deck Length (ft)	MSRP
14,400	19,660	5,660	14,000	101.5"	20'	\$16,025

Other options may be available. Ask your dealer or visit our website.

Listed GVWR, weights and dimensions are for reference only. Manufacturer reserves the right to change models and specifications as they see fit. See our web site or your local authorized dealer for more information.



All dimensions are nominal.
Illustration may be shown with
optional equipment.

Standard Features

Hitch/Tongue

- Adjustable height, bolt-on coupler
- 3" pintle
- One-piece cold-formed frame rails
- Integrated storage tray
- 12K bolt-on side-wind drop-leg park jack
- Battery break-away kit w/tow charger & test light
- 7-pole round electrical plug
- Safety chains w/hooks

Frame/Deck

- 20' deck (stationary deck optional)
- 102" load width
- 32.5" deck height (fully loaded)
- 10" I-beam main frame
- 3" Jr. I-beam crossmembers,
- 2" nom. white oak deck
- D-ring tie-downs (4 per side)

Ramps/Tail

- Under-ride protection

Axles/Suspension

- Rubber-ride suspension axles
- (2) 8,000 lb. axles
- Tires - 215/75R17.5, load range H, 16-ply
- 17.5" wheels, 8-bolt (4 wheels)
- Electric brakes
- Forward self-adjusting brakes
- E-Z Lube hubs

Lights/Wiring

- Rubber grommet mounted LED lights
- Sealed modular wiring

Standard Features

- Limited Lifetime Frame Warranty
- One-Year full Warranty
- 10-year Suspension Warranty
- Weatherproof registration holder
- Two-component polyurethane primer and paint

Weights and capacities vary depending upon options. Published weights are reference only.

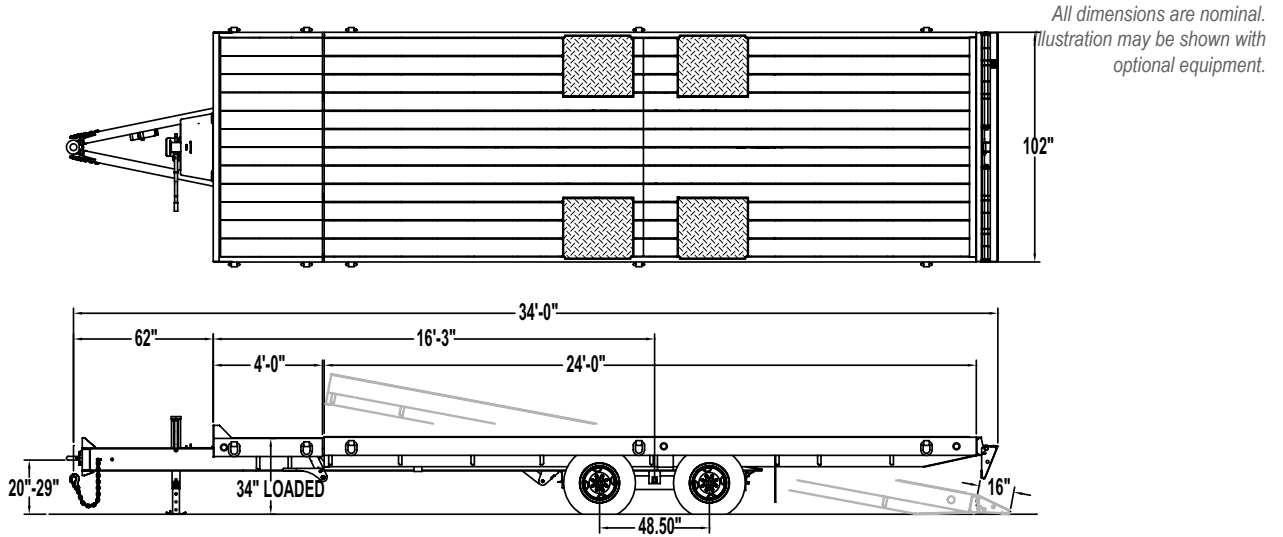
GAWR (lbs)	GVWR (lbs)	Weight (lbs)	Capacity (lbs)	Deck Width (in)	Deck Length (ft)	MSRP
16,000	21,280	5,280	16,000	101.5"	20'	\$16,905

Other options may be available. Ask your dealer or visit our website.

Listed GVWR, weights and dimensions are for reference only. Manufacturer reserves the right to change models and specifications as they see fit. See our web site or your local authorized dealer for more information.

B-6T / B-7T / B-8T OPTIONS

Description	B-6T	B-7T	B-8T	MSRP
TONGUE / HITCH				
Hydraulic surge brakes with freebacking (check local D.O.T. laws)	•			\$925
2-5/16" ball coupler	•	•	•	N/C
3" pintle ring	•			\$65
6-pole round plug	•	•	•	N/C
12K spring foot jack	•	•	•	\$50
25K 2-speed parking jack upgrade	•	•	•	\$185
Lockable storage tray lid	•	•	•	\$125
Gooseneck (2-5/16" coupler) – 84" swing clearance, 39" hitch height (call if varies), tool box with lid, dual jacks	•	•	•	\$1,650
MAIN DECK				
8K electric winch with 60 ft. 3/8" cable, mounted on front side of headboard (includes battery w/charger)	•	•	•	\$2,255
4' stationary deck option (adds 400 lbs. to GVWR)	•	•	•	\$995
6' stationary deck option (adds 600 lbs. to GVWR)	•	•	•	\$1,300
Apitong (per foot)	•	•	•	\$68
Additional tie-downs (each)	•	•	•	\$35
SUSPENSION				
Spare tire mount bracket	•	•	•	\$165
Spare tire and wheel, 235/85R16	•			\$230
235/85Rx16, load range "G", 14-ply upgrade (in lieu of "E", 10-ply)	•			\$680
Spare tire and wheel, 215/75R17.5		•	•	\$480
OTHER				
Special color (no metallic) – color match only – ramps painted to match	•	•	•	CALL
2 chock blocks with holders, located on rear of fender	•	•	•	\$220
Galvanizing	•	•	•	CALL
Trailer color options: Construction Yellow, Equipment Red, Equipment Blue, Equipment Charcoal	•	•	•	N/C
Change ramp color to black	•	•	•	N/C
Change ramp color to yellow, blue, charcoal	•	•	•	\$50



Standard Features

Hitch/Tongue

- Adjustable height hitch
- 3" pintle ring
- 7-pole round elec. plug
- One-piece cold-formed frame rails
- Integrated storage tray w/lockable lid
- 12K bolt-on side-wind drop-leg parking jack
- Battery break-away kit w/tow charger (elec. brakes)
- Safety chains w/hooks

Frame/Deck

- 24' deck, 4' stationary deck
- 102" load width, 34" deck height (fully loaded)
- Deck cushion cylinder
- Dual-point, single lever deck lock
- 10" I-beam main frame
- 3" Jr. I-beam crossmembers, 80K psi
- 2" nom. white oak deck
- D-rings (5 per side)

Ramps/Tail

- 12° load angle
- Automatic kick-out ramp/under-ride protection (pat.)

Axles/Suspension

- Slipper spring suspension
- (2) 10,000 lb. axles (8 wheels)
- Tires - 235/85R16, load range F, 12-ply
- 16" wheels, 8-bolt
- Elec. or Air brakes (sensors on 1 axle, 2S/1M)
- Full ABS on air brakes
- Oil bath hubs
- Hutchens 9700 susp. - OPTIONAL

Lights/Wiring

- Rubber grommet mounted LED lights
- Sealed modular wiring

Standard Features

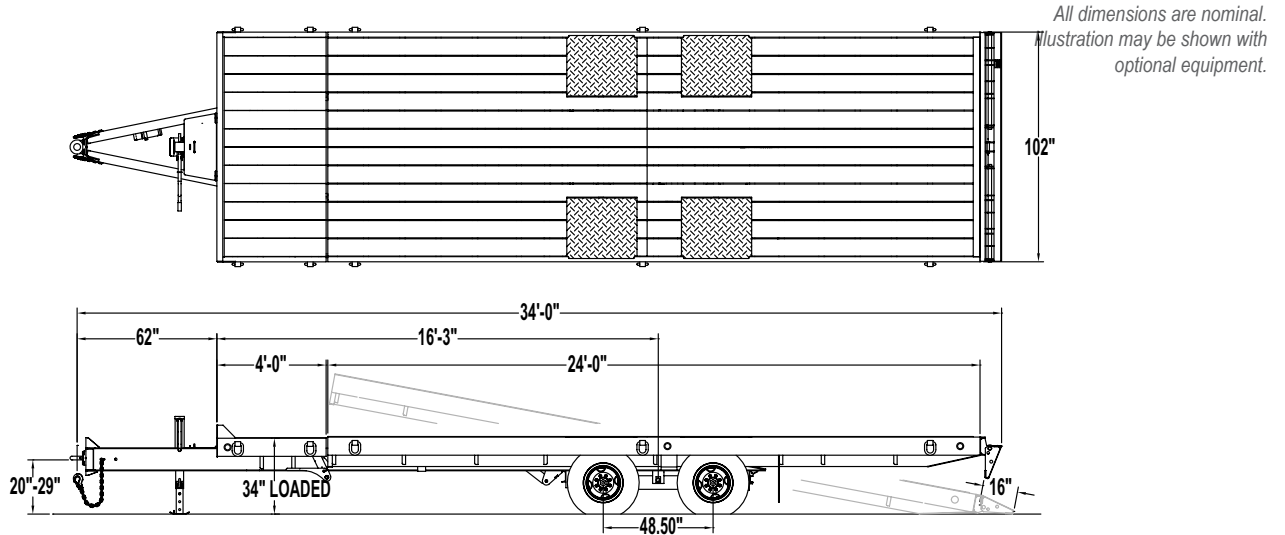
- Limited Lifetime Frame Warranty
- One-Year full Warranty
- 10-year Suspension Warranty
- Weatherproof registration holder
- Two-component polyurethane primer and paint

Weights and capacities vary depending upon options. Published weights are reference only.

GAWR (lbs)	GVWR (lbs)	Weight (lbs)	Capacity (lbs)	Deck Width (in)	Deck Length (ft)	MSRP
20,000	25,990	8,460	17,300	102"	24' (elec)	\$21,865
20,000	25,990	8,460	17,300	102"	24' (air)	\$24,870

Other options may be available. Ask your dealer or visit our website.

Listed GVWR, weights and dimensions are for reference only. Manufacturer reserves the right to change models and specifications as they see fit. See our web site or your local authorized dealer for more information.



Standard Features

Hitch/Tongue

- Adjustable height hitch
- 3" pintle ring
- 7-pole round elec. plug
- One-piece cold-formed frame rails
- Integrated storage tray w/lockable lid
- 12K bolt-on side-wind drop-leg parking jack
- Battery break-away kit w/tow charger (elec. brakes)
- Safety chains w/hooks

Frame/Deck

- 24' deck, 4' stationary deck
- 102" load width, 34" deck height (fully loaded)
- Deck cushion cylinder
- Dual-point, single lever deck lock
- 10" I-beam main frame
- 3" Jr. I-beam crossmembers, 80K psi
- 2" nom. white oak deck
- D-rings (5 per side)

Ramps/Tail

- 12° load angle
- Automatic kick-out ramp/under-ride protection (pat.)

Axles/Suspension

- Slipper spring suspension
- (2) 12,000 lb. axles (8 wheels)
- Tires - 235/85R16, load range F, 12-ply
- 16" wheels, 8-bolt
- Elec. or Air brakes (sensors on 1 axle, 2S/1M)
- Full ABS on air brakes
- Oil bath hubs
- Hutchens 9700 susp. - OPTIONAL

Lights/Wiring

- Rubber grommet mounted LED lights
- Sealed modular wiring

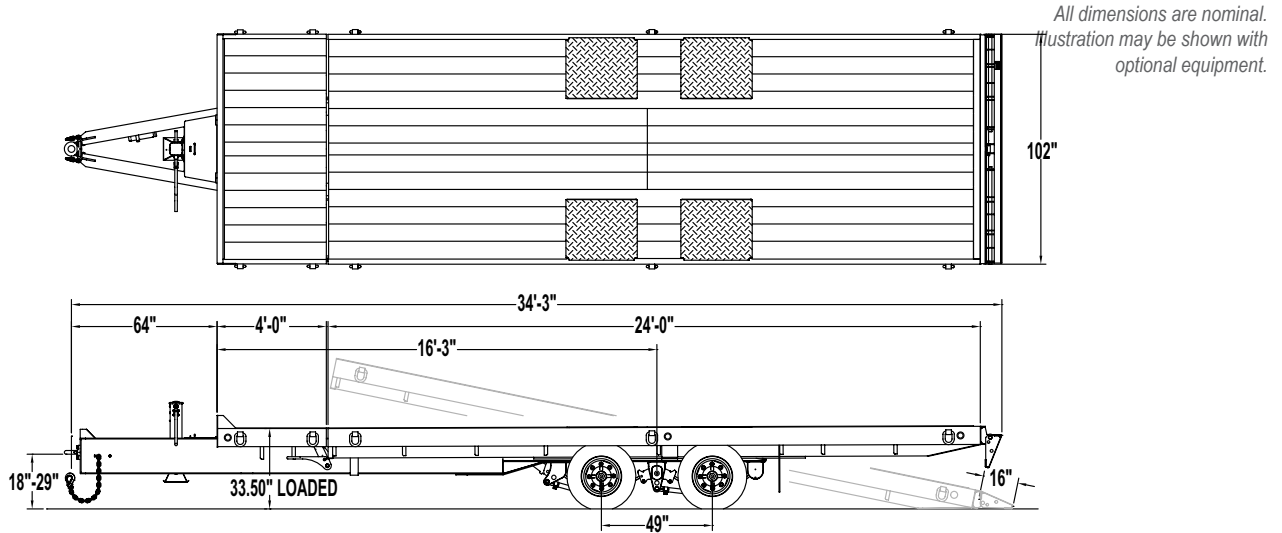
Standard Features

- Limited Lifetime Frame Warranty
- One-Year full Warranty
- 10-year Suspension Warranty
- Weatherproof registration holder
- Two-component polyurethane primer and paint

Weights and capacities vary depending upon options. Published weights are reference only.

GAWR (lbs)	GVWR (lbs)	Weight (lbs)	Capacity (lbs)	Deck Width (in)	Deck Length (ft)	MSRP
24,000	33,080	9,080	24,000	102"	24' (elec)	\$22,760
24,000	33,080	9,080	24,000	102"	24' (air)	\$25,265

Subject to F.E.T. - deduct \$2.36 per tire
Other options may be available. Ask your dealer or visit our website.



Standard Features

Hitch/Tongue

- Adjustable height hitch
- 3" pintle ring
- 7-pole round elec. plug
- One-piece cold-formed frame rails
- Integrated storage tray w/lockable lid
- 25K bolt-on two-speed park jack
- Battery break-away kit w/tow charger & test light
- Safety chains w/hooks

Frame/Deck

- 24' deck, 4' stationary deck
- 102" load width, 33.5" deck height (fully loaded)
- Deck cushion cylinder
- Dual-point, single lever deck lock
- 16" I-beam main frame
- 3" Jr. I-beam crossmembers, 80K psi
- 2" nom. white oak deck
- D-rings (5 per side)

Ramps/Tail

- 12° load angle
- Automatic kick-out ramp/under-ride protection (pat.)

Axles/Suspension

- Hutchens 9700 Adjustable susp.
- (2) 15,000 lb. axles (8 wheels)
- Tires - 215/75R17.5 load range H, 16-ply
- 17.5" hub piloted wheels, 8-bolt
- Electric brakes
- Brake size (12.25x7.5)
- Auto slack Adjustable
- Oil bath hubs

Lights/Wiring

- Rubber grommet mounted LED lights
- Sealed modular wiring

Standard Features

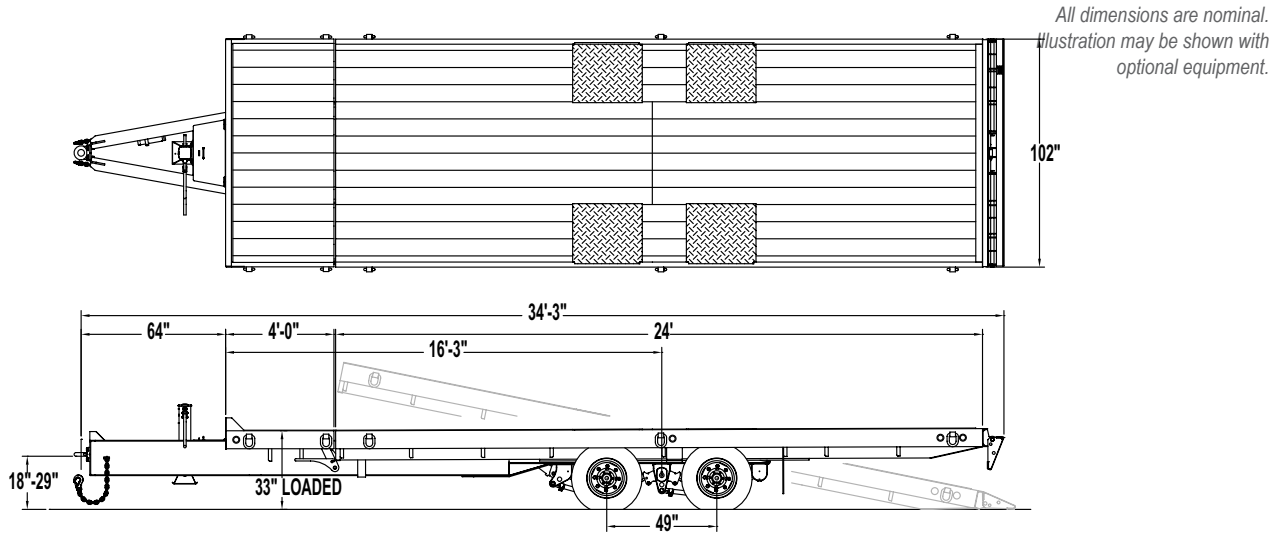
- Limited Lifetime Frame Warranty
- One-Year full Warranty
- 10-year Suspension Warranty
- Weatherproof registration holder
- Two-component polyurethane primer and paint

Weights and capacities vary depending upon options. Published weights are reference only.

GAWR (lbs)	GVWR (lbs)	Weight (lbs)	Capacity (lbs)	Deck Width (in)	Deck Length (ft)	MSRP
30,000	39,660	9,660	30,000	102"	24'	\$29,220

Subject to F.E.T. - deduct \$12.33 per tire
Other options may be available. Ask your dealer or visit our website.

Listed GVWR, weights and dimensions are for reference only. Manufacturer reserves the right to change models and specifications as they see fit. See our web site or your local authorized dealer for more information.



Standard Features

Hitch/Tongue

- Adjustable height hitch
- 3" pintle ring
- 7-pole round electrical plug
- One-piece cold-formed frame rails
- Integrated storage tray w/lockable lid
- 25K bolt-on two-speed parking jack
- Safety chains w/hooks

Frame/Deck

- 24' deck, 4' stationary deck
- 102" load width, 33" deck height (fully loaded)
- Deck cushion cylinder
- Dual-point, single lever deck lock
- 16" I-beam main frame
- 3" Jr. I-beam crossmembers, 80K psi
- 2" nom. white oak deck
- D-rings (5 per side)

Ramps/Tail

- 12° load angle
- Automatic kick-out ramp/under-ride protection (pat.)

Axes/Suspension

- Hutchens 9700 ad. susp.
- (2) 22,500 lb. axles (8 wheels)
- Tires - 235/75R17.5 load range H, 16-ply
- 17.5" hub piloted wheels, 8-bolt
- Air brakes (sensor on 1 axle, 2S/1M) Full ABS
- Brake size (12.25x7.5)
- Auto slack Adjustable
- Oil bath hubs

Lights/Wiring

- Rubber grommet mounted LED lights
- Sealed modular wiring

Standard Features

- Limited Lifetime Frame Warranty
- One-Year full Warranty
- 10-year Suspension Warranty
- Weatherproof registration holder
- Two-component polyurethane primer and paint

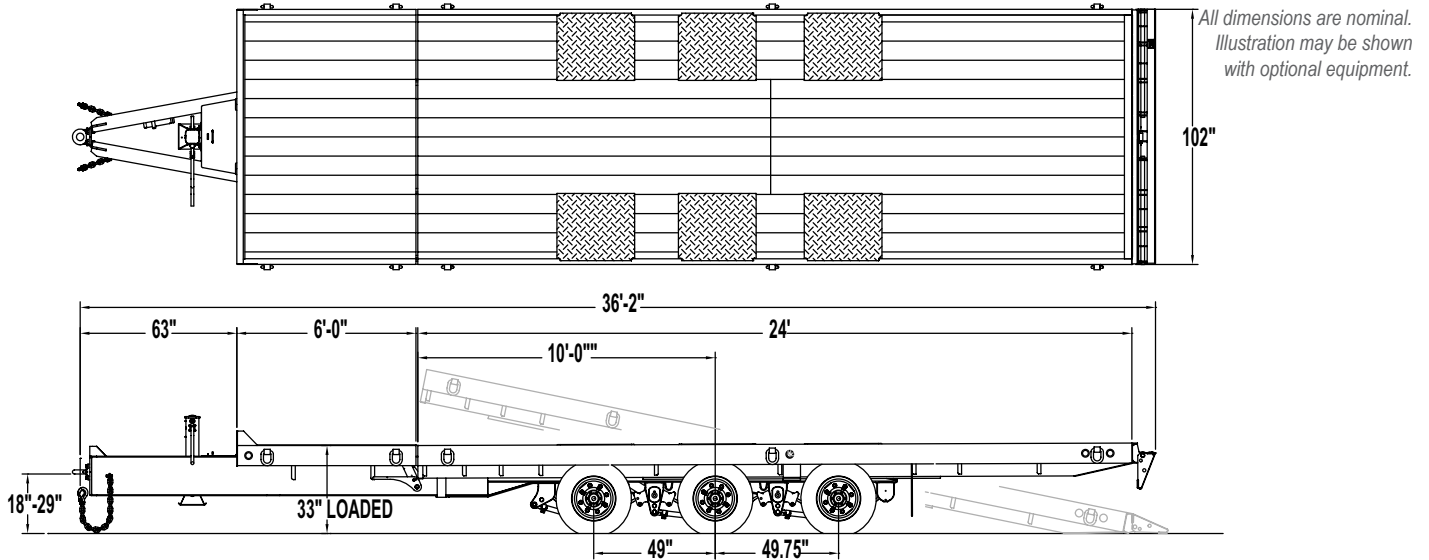
Weights and capacities vary depending upon options. Published weights are reference only.

GAWR (lbs)	GVWR (lbs)	Weight (lbs)	Capacity (lbs)	Deck Width (in)	Deck Length (ft)	MSRP
45,000	50,680	10,680	40,000	102"	24'	\$30,965

Listed GVWR, weights and dimensions are for reference only. Manufacturer reserves the right to change models and specifications as they see fit. See our web site or your local authorized dealer for more information.

Subject to F.E.T. - deduct \$2.36 per tire
Other options may be available. Ask your dealer or visit our website.

bigtow.com
866-397-8281
Bid Term: 2/22/19 - 2/21/21; Extended 3/1/21
©Big Tow - 0121



Standard Features

Hitch/Tongue

- Adjustable height hitch
- 3" pintle ring
- 7-pole round electrical plug
- One-piece cold-formed frame rails
- Integrated storage tray w/lockable lid
- 25K bolt-on two-speed parking jack
- Safety chains w/hooks

Frame/Deck

- 24' deck, 6' stationary deck
- 102" load width, 32.5" deck height (fully loaded)
- Deck cushion cylinder
- Dual-point, single lever deck lock
- 16" I-beam main frame
- 3" Jr. I-beam crossmembers, 80K psi
- 2" nom. white oak deck
- D-rings (5 per side)

Ramps/Tail

- 12° load angle
- Automatic kick-out ramp/under-ride protection (pat.)

Axles/Suspension

- Hutchens 9700 Adjustable susp.
- (3) 22,500 lb. axles (12 wheels)
- Tires - 215/75R17.5 load range H, 16-ply
- 17.5" hub piloted wheels, 8-bolt
- Air brakes (sensor on 1 axle, 2S/2M) Full ABS
- Brake size (12.25x7.5)
- Auto slack Adjustable
- Oil bath hubs

Lights/Wiring

- Rubber grommet mounted LED lights
- Sealed modular wiring

Standard Features

- Limited Lifetime Frame Warranty
- One-Year full Warranty
- 10-year Suspension Warranty
- Weatherproof registration holder
- Two-component polyurethane primer and paint

Weights and capacities vary depending upon options. Published weights are reference only.

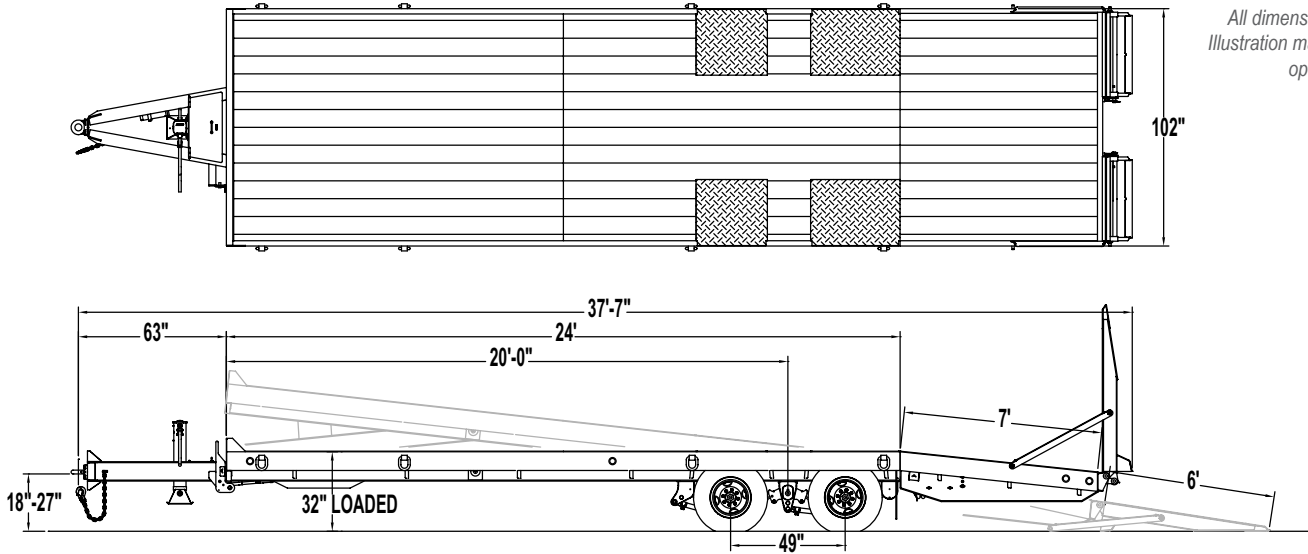
GAWR (lbs)	GVWR (lbs)	Weight (lbs)	Capacity (lbs)	Deck Width (in)	Deck Length (ft)	MSRP
54,480	62,300	12,300	50,000	102"	24'	\$38,375

Subject to F.E.T. - deduct \$12.33 per tire
Other options may be available. Ask your dealer or visit our website.

Listed GVWR, weights and dimensions are for reference only. Manufacturer reserves the right to change models and specifications as they see fit. See our web site or your local authorized dealer for more information.

B-10T / B-12T / B-15T / B-20T / B-25T OPTIONS

Description	B-10T	B-12T	B-15T	B-20T	B-25T	MSRP
TONGUE / HITCH						
Tongue length, add per foot (2 ft. max)	•	•	•	•	•	\$275
6-pole round plug	•	•				N/C
Gooseneck (2-5/16" coupler) – 84" swing clearance, 39" hitch height (call if varies), tool box with lid, dual jacks	•	•				\$1,840
Gooseneck (3" coupler) – 84" swing clearance, 39" hitch height (call if varies), tool box with lid, dual jacks			•			\$2,185
Rigid Gooseneck (10 ft. top, 84" swing clearance, 16" king pin setting)	•	•	•	•	•	\$3,520
Upgrade 25K parking jacks	•	•				\$185
Dual 25K parking jacks			•	•	•	\$395
30-deg. Sloped neck	•	•	•	•	•	\$1,875
MAIN DECK						
6 ft. stationary platform deck	•	•	•	•		\$880
8 ft. stationary platform deck	•	•	•	•	•	\$1,320
10 ft. stationary platform deck			•	•	•	\$1,760
Apitong (per foot)	•	•	•	•	•	\$68
Additional tie-downs (each)	•	•	•	•	•	\$35
12K Electric winch (includes 125 ft. x 3/8" cable, corded remote, wiring to rear of truck)	•	•	•	•	•	\$2,690
SUSPENSION						
Hutchens 9700 adjustable suspension	•	•				\$695
Air Ride suspension (raises deck 1.5")				•		\$3,400
Air Ride suspension (raises deck 1.5")					•	\$4,975
Air lift axle (upgrade to Air Ride recommended on all axles)					•	\$3,695
25K axle upgrade (each)				•	•	\$340
Sensors on 2 axles (4S/2M)	•	•		•	•	\$575
Sensors on 3 axles (6S/3M)					•	\$1,265
Spare tire mount bracket, mounted flat on tongue	•	•	•	•	•	\$165
Spare tire and wheel, 235/85R16	•	•				\$250
Spare tire and wheel, 215/75R17.5, load range H			•	•	•	\$525
235/75R17.5 tire upgrade (deduct \$23.67 per tire F.E.T.), per tire			•	•	•	\$55
RAMPS						
6'-0" wood filled flip-over ramp with 6° incline (non-removable)	•	•	•	•	•	\$1,520
6'-0" aluminum paver ramp (loose) per pair	•	•	•	•	•	\$1,725
OTHER						
Special color (no metallic) – color match only – ramps painted to match	•	•	•	•	•	CALL
2 chock blocks with holders, located on rear of fender	•	•	•	•	•	\$220
Galvanizing	•	•	•	•	•	CALL
Trailer color options: Construction Yellow, Equipment Red, Equipment Blue, Equipment Charcoal	•	•	•	•	•	N/C



All dimensions are nominal.
Illustration may be shown with
optional equipment.

Standard Features

Hitch/Tongue

- Adjustable height hitch
- 3" pintle ring
- 7-pole round electrical plug
- One-piece cold-formed frame rails
- Integrated storage tray with lockable lid
- 25K bolt-on side-wind drop-leg parking jack
- Safety chains w/hooks

Frame/Deck

- 24' main deck length, 7' beaver tail
- 102" load width, 32" deck height (fully loaded)
- Dual air bags
- Dual-point, single lever deck lock
- 8" I-beam main frame
- 3" Jr. I-beam cross members
- 2" nom. white oak deck
- D-ring tie-downs (4 per side)

Ramps/Tail

- 12° tail
- 10° load angle with optional ramps

Axles/Suspension

- Hutchens 9700 suspension
- (2) 12,000 lb. axles (8 wheels)
- Tires - 235/85R16, load range F, 12-ply
- 16" wheels, 8-bolt
- Air Brakes (Air has sensors on 1 axle, 2S/1M)
- Full ABS on air brakes
- Oil bath hubs

Lights/Wiring

- Rubber grommet mounted LED lights
- Sealed modular wiring

Standard Features

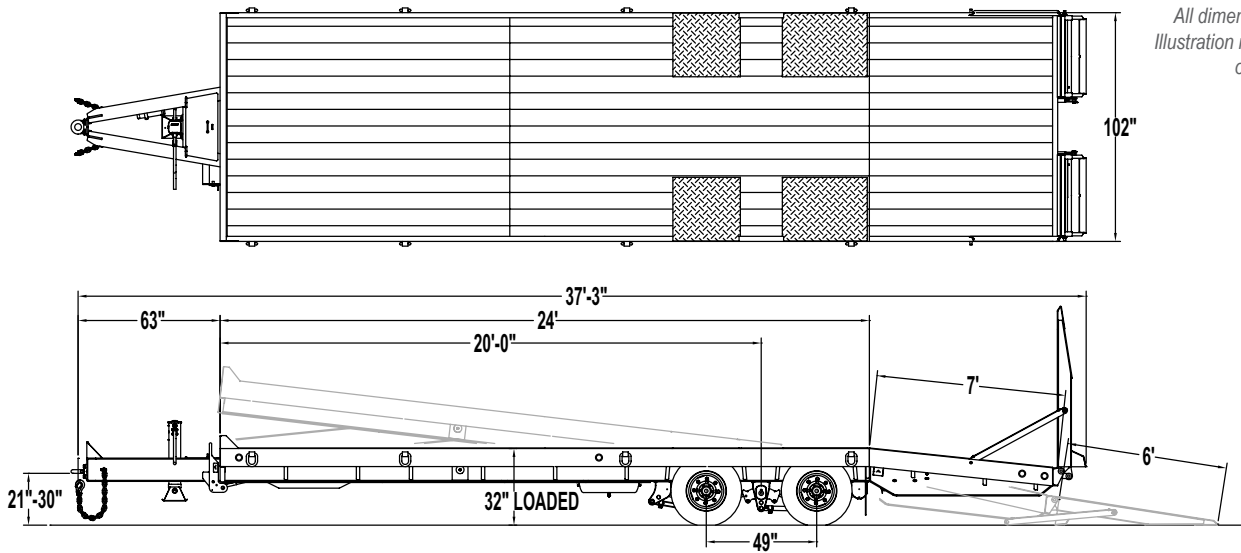
- Limited Lifetime Frame Warranty
- One-Year full Warranty
- 10-year Suspension Warranty
- Weatherproof registration holder
- Two-component polyurethane primer and paint

Weights and capacities vary depending upon options. Published weights are reference only.

GAWR (lbs)	GVWR (lbs)	Weight (lbs)	Capacity (lbs)	Deck Width (in)	Deck Length (ft)	MSRP
24,000	33,970	9,970	24,000	101.5"	24'	\$28,285

Subject to F.E.T. - deduct \$2.36 per tire
Other options may be available. Ask your dealer or visit our website.

Listed GVWR, weights and dimensions are for reference only. Manufacturer reserves the right to change models and specifications as they see fit. See our web site or your local authorized dealer for more information.



All dimensions are nominal.
Illustration may be shown with
optional equipment.

Standard Features

Hitch/Tongue

- Adjustable height hitch
- 3" pintle ring
- 7-pole round electrical plug
- One-piece cold-formed frame rails
- Integrated storage tray w/lockable lid
- 25K bolt-on two-speed parking jack
- Safety chains w/hooks

Frame/Deck

- 24' main deck length, 7' beavertail
- 102" load width, 31.5" deck height (fully loaded)
- Dual air bags
- Dual-point, single lever deck lock
- 10" I-beam main frame
- 3" Jr. I-beam cross members
- 2" nom. white oak deck
- D-ring tie-downs (4 per side)

Ramps/Tail

- 12° tail
- 10° load angle with optional ramps

Axles/Suspension

- Hutchens 9700 Adjustable susp.
- (2) 22,500 lb. axles
- Tires - 235/75R17.5 load range H, 16-ply
- 17.5" hub piloted wheels, 8-bolt (8 wheels)
- Air brakes (sensor on 1 axle, 2S/1M) Full ABS
- Brake size (12.25x7.5)
- Auto slack Adjustable
- Oil bath hubs

Lights/Wiring

- Rubber grommet mounted LED lights
- Sealed modular wiring

Standard Features

- Limited Lifetime Frame Warranty
- One-Year full Warranty
- 10-year Suspension Warranty
- Weatherproof registration holder
- Two-component polyurethane primer and paint

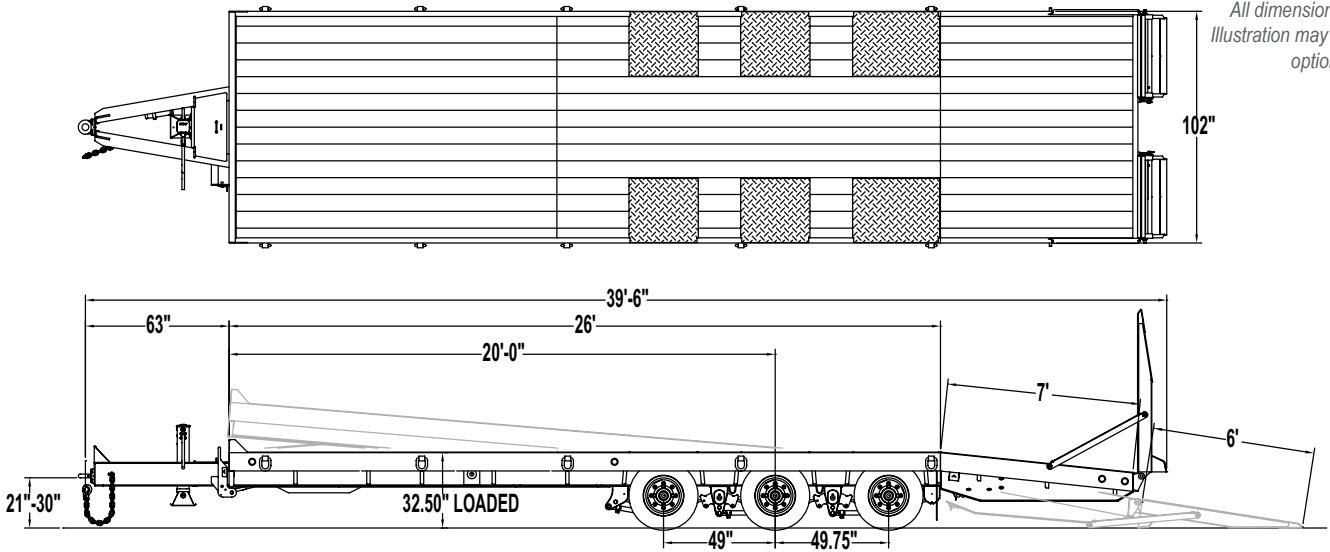
Weights and capacities vary depending upon options. Published weights are reference only.

GAWR (lbs)	GVWR (lbs)	Weight (lbs)	Capacity (lbs)	Deck Width (in)	Deck Length (ft)	MSRP
45,000	52,100	12,350	40,000	101.5"	24'	\$32,055

Subject to F.E.T. - deduct \$23.67 per tire
Other options may be available. Ask our dealer or visit our website.

Listed GVWR, weights and dimensions are for reference only. Manufacturer reserves the right to change models and specifications as they see fit. See our web site or your local authorized dealer for more information.

bigtow.com
866-397-8481
Bid Term: 2/22/19 - 2/21/21; Extended to 2/21/21



All dimensions are nominal.
 Illustration may be shown with optional equipment.

Standard Features

Hitch/Tongue

- Adjustable height hitch
- 3" pintle ring
- 7-pole round electrical plug
- One-piece cold-formed frame rails
- Integrated storage tray w/lockable lid
- 25K bolt-on two-speed parking jack
- Safety chains w/hooks

Frame/Deck

- 26' deck length, 7ft Beavertail
- 102" load width, 31.5" deck height (fully loaded)
- Dual air bags
- Dual-point, single lever deck lock
- 10" I-beam main frame
- 3" Jr. I-beam cross members
- 2" nom. white oak deck
- D-ring tie-downs (5 per side)

Ramps/Tail

- 12° tail
- 10° load angle with optional ramps

Axles/Suspension

- Hutchens 9700 Adjustable susp.
- (3) 22,500 lb. axles
- Tires - 215/75R17.5 load range H, 16-ply
- 17.5" hub piloted wheels, 8-bolt (12 Wheels)
- Air brakes (sensor on 1 axle, 2S/2M) Full ABS
- Brake size (12.25x7.5)
- Auto slack Adjustable
- Oil bath hubs

Lights/Wiring

- Rubber grommet mounted LED lights
- Sealed modular wiring

Standard Features

- Limited Lifetime Frame Warranty
- One-Year full Warranty
- 10-year Suspension Warranty
- Weatherproof registration holder
- Two-component polyurethane primer and paint

Weights and capacities vary depending upon options. Published weights are reference only.

GAWR (lbs)	GVWR (lbs)	Weight (lbs)	Capacity (lbs)	Deck Width (in)	Deck Length (ft)	MSRP
54,480	63,270	13,270	50,000	101.5"	26'	\$41,565

Subject to F.E.T. - deduct \$12.33 per tire
 Other options may be available. Ask your dealer or visit our website.

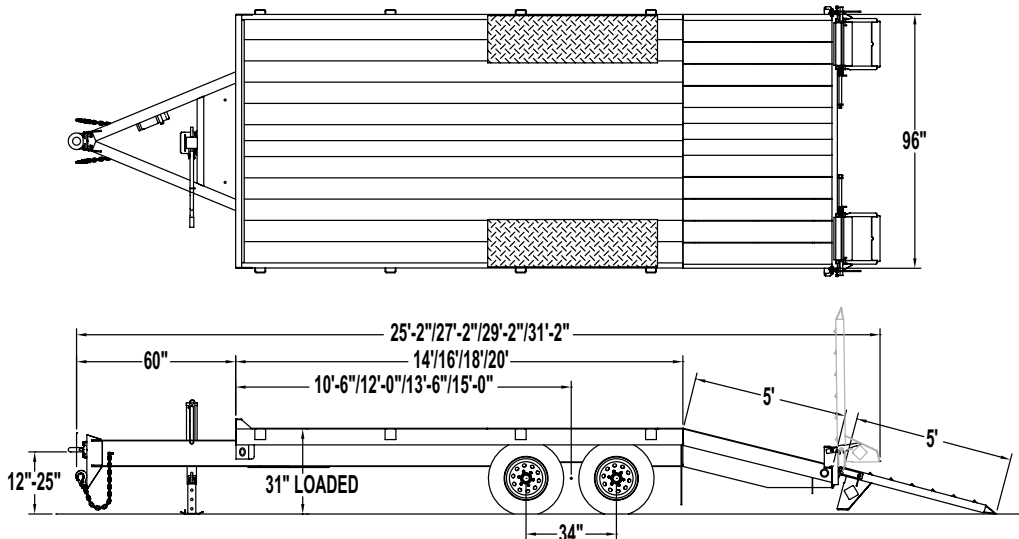
Listed GVWR, weights and dimensions are for reference only. Manufacturer reserves the right to change models and specifications as they see fit. See our web site or your local authorized dealer for more information.

bigtow.com
 Bid Term: 2/22/19 - 2/21/21; Extended to 2/21/22
 866-397-8481

B-12TA / B-20TA / B-25TA OPTIONS

Description	B-12TA	B-20TA	B-25TA	MSRP
TONGUE / HITCH				
Tongue length, add per foot (2 ft. max)	•	•	•	\$275
Gooseneck (2-5/16" coupler) – 84" swing clearance, 39" hitch height (call if varies), adds 1 ft. of stationary deck	•			\$2,285
Rigid Gooseneck (10 ft. top deck, 84" swing clearance, 16" king pin setting), adds 1 ft. of stationary deck	•	•	•	\$4,145
MAIN DECK				
12K electric winch with 125 ft. of cable, mounted on deck (corded remote, wiring to rear of truck)	•	•	•	\$2,690
Battery Kit with Charger for Winch (Installed)	•	•	•	\$595
Apitong (per foot)	•	•	•	\$68
Additional tie-downs (each)	•	•	•	\$35
Stake pockets (each)	•	•	•	\$35
Rub rail and stake pockets (per foot)	•	•	•	\$50
SUSPENSION				
25K axle upgrade (each)		•	•	\$340
Sensors on 2 axles (4S/2M)	•	•	•	\$575
Sensors on 3 axles (6S/3M)			•	\$1,265
Air Ride Air Lift front Axle (T-50TA only)			•	\$3,695
Spare tire mount bracket	•	•	•	\$165
Spare tire and wheel, 235/85R16	•			\$250
Spare tire and wheel, 215/75R17.5, load range H			•	\$525
Spare tire and wheel, 235/75R17.5 load range H		•		\$580
235/85R 16 load range G tire upgrade	•			\$1,360
235/75Rx17.5 tire upgrade (deduct \$23.67 per tire F.E.T.), per tire			•	\$55
RAMPS				
6' X 36" wood-topped air ramps required on all models	•	•	•	\$3,415
OTHER				
Special color (no metallic) – color match only – ramps painted to match	•	•	•	CALL
2 chock blocks with holders, located under deck ahead of axles	•	•	•	\$220
Galvanizing	•	•	•	CALL
Trailer color options: Construction Yellow, Equipment Red, Equipment Blue, Equipment Charcoal	•	•	•	N/C

All dimensions are nominal.
Illustration may be shown with
optional equipment.



Standard Features

Hitch/Tongue

- Adjustable height, bolt-on coupler
- 3" pintle
- RV plug
- One-piece cold-formed frame rails
- Integrated storage tray
- 12K bolt-on side-wind drop-leg parking jack
- Battery break-away kit w/tow charger & test light
- Safety chains w/hooks

Frame/Deck

- 96" load width
- 31" deck height (fully loaded)
- 10" I-beam main frame
- 3" Jr. I-beam crossmembers, 80,000 psi
- 2" nominal white oak wood deck
- Stake pockets (4 per side)

Ramps/Tail

- Wood deck beavertail (14°)
- 18" x 5'-0" channel sides, cleated ladder style
- Auto-Latch ramp hold-ups

Axles/Suspension

- Rubber-ride suspension axles
- (2) 6,000 lb. axles (4 wheels)
- Tires - ST225/75R15, load range D, 8-ply
- 15" wheels, 6-bolt
- Electric brakes
- Forward self-adjusting brakes
- Non-EZ Lube hubs

Lights/Wiring

- Rubber grommet mounted LED lights
- Sealed modular wiring

Standard Features

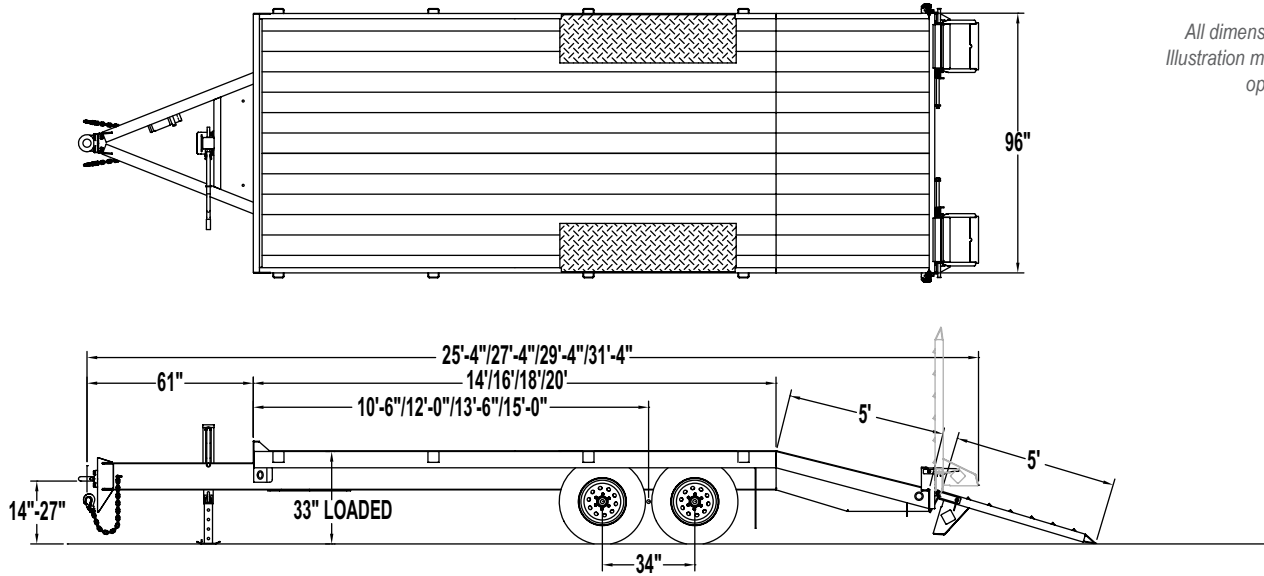
- Limited Lifetime Frame Warranty
- One-Year full Warranty
- 10-year Suspension Warranty
- Weatherproof registration holder
- Two-component polyurethane primer and paint
- Trailer color: Equipment Black
- Ramp color: Equipment Red

Weights and capacities vary depending upon options. Published weights are reference only.

GAWR (lbs)	GVWR (lbs)	Weight (lbs)	Capacity (lbs)	Deck Width (in)	Deck Length (ft)	MSRP
12,000	9,990	4,400	5,590	96"	14'	\$9,790
12,000	9,990	4,600	5,390	96"	16'	\$10,265
12,000	9,990	4,800	5,190	96"	18'	\$10,765
12,000	9,990	5,000	4,990	96"	20'	\$11,315

Other options may be available. Ask your dealer or visit our website.

Listed GVWR, weights and dimensions are for reference only. Manufacturer reserves the right to change models and specifications as they see fit. See our web site or your local authorized dealer for more information.



All dimensions are nominal.
Illustration may be shown with
optional equipment.

Standard Features

Hitch/Tongue

- Adjustable height, bolt-on coupler
- 3" pintle
- RV plug
- One-piece cold-formed frame rails
- Integrated storage tray
- 12K bolt-on side-wind drop-leg parking jack
- Battery break-away kit w/tow charger & test light
- Safety chains w/hooks

Frame/Deck

- 96" load width
- 33" deck height (fully loaded)
- 10" I-beam main frame
- 3" Jr. I-beam crossmembers, 80,000 psi
- 2" nominal white oak wood deck
- Stake pockets (4 per side)

Ramps/Tail

- Wood deck beavertail (14°)
- 18" x 5'-0" channel sides, cleated ladder style
- Auto-Latch ramp hold-ups

Axles/Suspension

- Rubber-ride suspension axles
- (2) 6,000 lb. axles (4 wheels)
- Tires - 235/85R16, load range F, 12-ply
- 16" wheels, 6-bolt
- Electric brakes
- Forward self-adjusting brakes
- Non-EZ Lube hubs

Lights/Wiring

- Rubber grommet mounted LED lights
- Sealed modular wiring

Standard Features

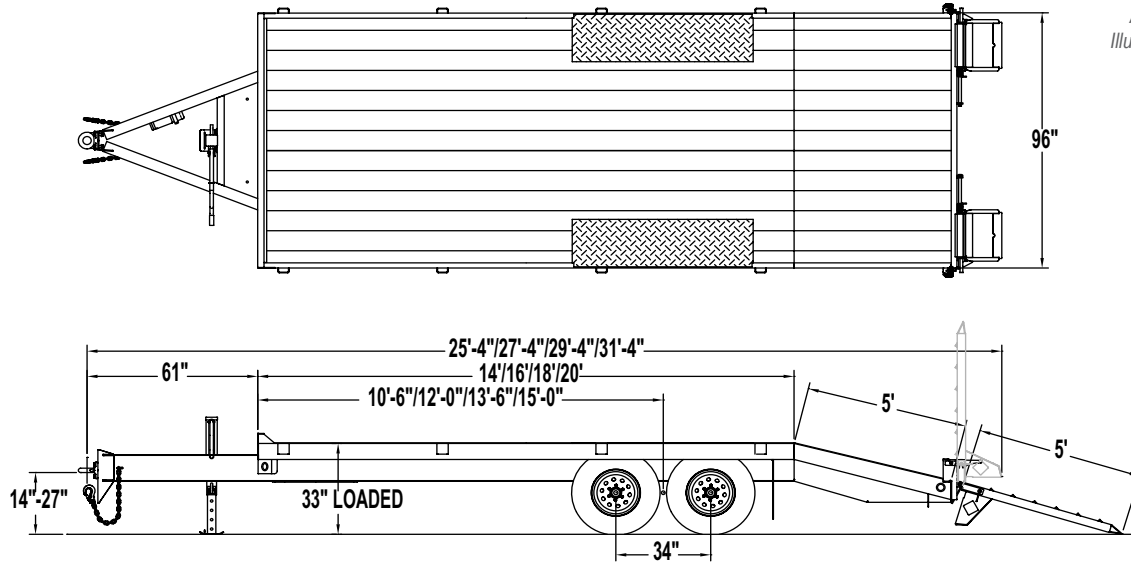
- Limited Lifetime Frame Warranty
- One-Year full Warranty
- 10-year Suspension Warranty
- Weatherproof registration holder
- Two-component polyurethane primer and paint
- Trailer color: Equipment Black
- Ramp color: Equipment Red

Weights and capacities vary depending upon options. Published weights are reference only.

GAWR (lbs)	GVWR (lbs)	Weight (lbs)	Capacity (lbs)	Deck Width (in)	Deck Length (ft)	MSRP
12,000	14,400	4,400	10,000	96"	14'	\$9,900
12,000	14,600	4,600	10,000	96"	16'	\$10,380
12,000	14,800	4,800	10,000	96"	18'	\$10,870
12,000	15,000	5,000	10,000	96"	20'	\$11,420

Other options may be available. Ask your dealer or visit our website.

Listed GVWR, weights and dimensions are for reference only. Manufacturer reserves the right to change models and specifications as they see fit. See our web site or your local authorized dealer for more information.



All dimensions are nominal.
Illustration may be shown with optional equipment.

Standard Features

Hitch/Tongue

- Adjustable height, bolt-on coupler
- 3" pintle
- RV plug
- One-piece cold-formed frame rails
- Integrated storage tray
- 12K bolt-on side-wind drop-leg parking jack
- Battery break-away kit w/tow charger & test light
- Safety chains w/hooks

Frame/Deck

- 96" load width
- 33" deck height (fully loaded)
- 10" I-beam main frame
- 3" Jr. I-beam crossmembers, 80,000 psi
- 2" nominal white oak wood deck
- Stake pockets (4 per side)

Ramps/Tail

- Wood deck beavertail (14°)
- 18" x 5'-0" channel sides, cleated ladder style
- Auto-Latch ramp hold-ups

Axles/Suspension

- Rubber-ride suspension axles
- (2) 6,000 lb. axles (4 wheels)
- Tires - 235/85R16, load range F, 12-ply
- 16" wheels, 6-bolt
- Electric brakes
- Forward self-adjusting brakes
- Non-EZ Lube hubs

Lights/Wiring

- Rubber grommet mounted LED lights
- Sealed modular wiring

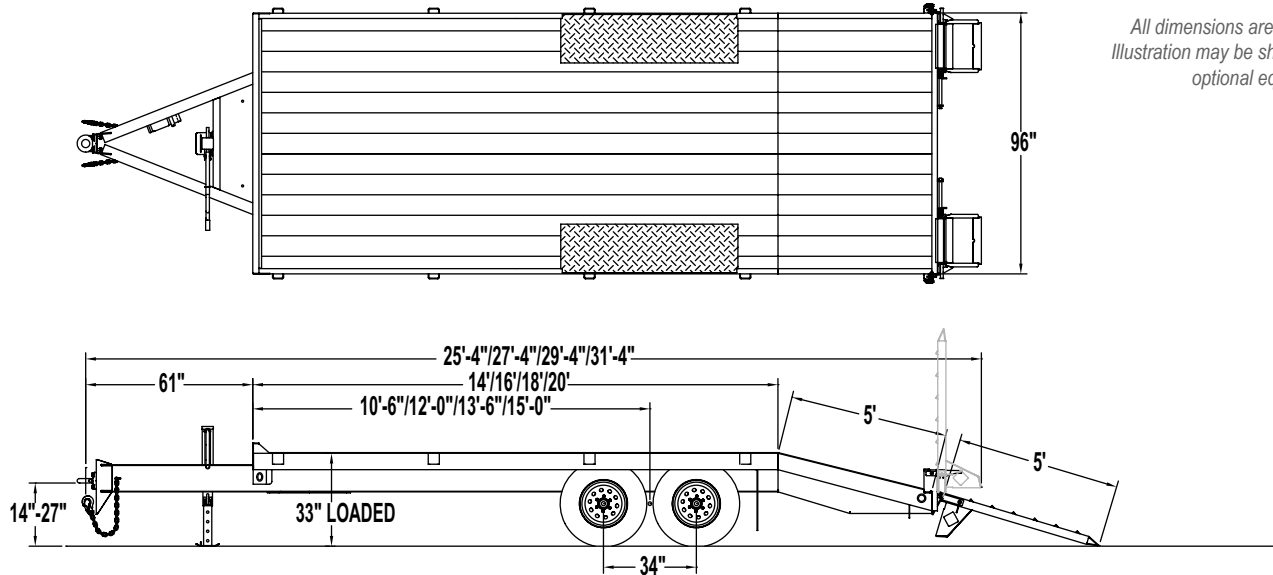
Standard Features

- Limited Lifetime Frame Warranty
- One-Year full Warranty
- 10-year Suspension Warranty
- Weatherproof registration holdet
- Two-component polyurethane primer and paint
- Trailer color: Equipment Black
- Ramp color: Equipment Red

Weights and capacities vary depending upon options. Published weights are reference only.

GAWR (lbs)	GVWR (lbs)	Weight (lbs)	Capacity (lbs)	Deck Width (in)	Deck Length (ft)	MSRP
12,000	16,400	4,400	12,000	96"	14'	\$9,900
12,000	16,600	4,600	12,000	96"	16'	\$10,380
12,000	16,800	4,800	12,000	96"	18'	\$10,870
12,000	17,000	5,000	12,000	96"	20'	\$11,420

Other options may be available. Ask your dealer or visit our website.



All dimensions are nominal.
Illustration may be shown with
optional equipment.

Standard Features

Hitch/Tongue

- Adjustable height, bolt-on coupler
- 3" pintle
- RV plug
- One-piece cold-formed frame rails
- Integrated storage tray
- 12K bolt-on side-wind drop-leg parking jack
- Battery break-away kit w/tow charger & test light
- Safety chains w/hooks

Frame/Deck

- 96" load width
- 33" deck height (fully loaded)
- 10" I-beam main frame
- 3" Jr. I-beam crossmembers, 80,000 psi
- 2" nominal white oak wood deck
- Stake pockets (4 per side)

Ramps/Tail

- Wood deck beavertail (14°)
- 18" x 5'-0" channel sides, cleated ladder style
- Auto-Latch ramp hold-ups
- Spring-assist ramps

Axles/Suspension

- Rubber-ride suspension axles
- (2) 7,000 lb. axles (4 wheels)
- Tires - 235/85R16, load range F, 12-ply
- 16" wheels, 8-bolt
- Electric brakes
- Forward self-adjusting brakes
- Non-EZ Lube hubs

Lights/Wiring

- Rubber grommet mounted LED lights
- Sealed modular wiring

Standard Features

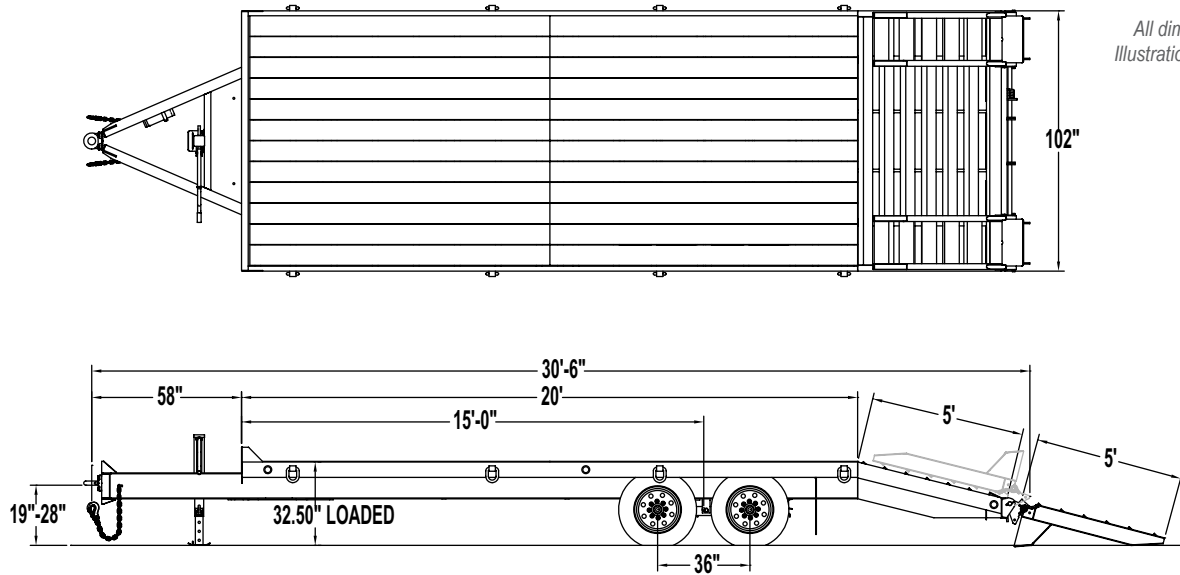
- Limited Lifetime Frame Warranty
- One-Year full Warranty
- 10-year Suspension Warranty
- Weatherproof registration holder
- Two-component polyurethane primer and paint
- Trailer color: Equipment Black
- Ramp color: Equipment Red

Weights and capacities vary depending upon options. Published weights are reference only.

GAWR (lbs)	GVWR (lbs)	Weight (lbs)	Capacity (lbs)	Deck Width (in)	Deck Length (ft)	MSRP
14,000	18,800	4,800	14,000	96"	18'	\$11,150
14,000	19,000	5,000	14,000	96"	20'	\$11,530

Other options may be available. Ask your dealer or visit our website.

Listed GVWR, weights and dimensions are for reference only. Manufacturer reserves the right to change models and specifications as they see fit. See our web site or your local authorized dealer for more information.



All dimensions are nominal.
Illustration may be shown with
optional equipment.

Standard Features

Hitch/Tongue

- Adjustable height, bolt-on coupler
- 3" pintle
- One-piece cold-formed frame rails
- Integrated storage tray
- 12K bolt-on side-wind drop-leg parking jack
- Battery break-away kit w/tow charger & test light
- 7-pole round elec. plug
- Safety chains w/hooks

Frame/Deck

- 20 ft. deck length
- 102" load width
- 32.5" deck height (fully loaded)
- 10" I-beam main frame
- 3" Jr. I-beam crossmembers, 80,000 psi
- 2" nominal white oak wood deck
- D-ring tie-downs (4 per side)

Ramps/Tail

- 5 ft. steel angle-iron beavertail (14°)
- 21" x 5'-0" ladder style angle iron cleats
- One-way spring-assist ramps

Axles/Suspension

- Slipper spring suspension
- (2) 8,000 lb. axles (4 wheels)
- Tires - 215/75R17.5, load range H, 16-ply
- 17.5" wheels, 8-bolt
- Electric brakes
- Forward self-adjusting brakes
- E-Z lube hubs

Lights/Wiring

- Rubber grommet mounted LED lights
- Sealed modular wiring

Standard Features

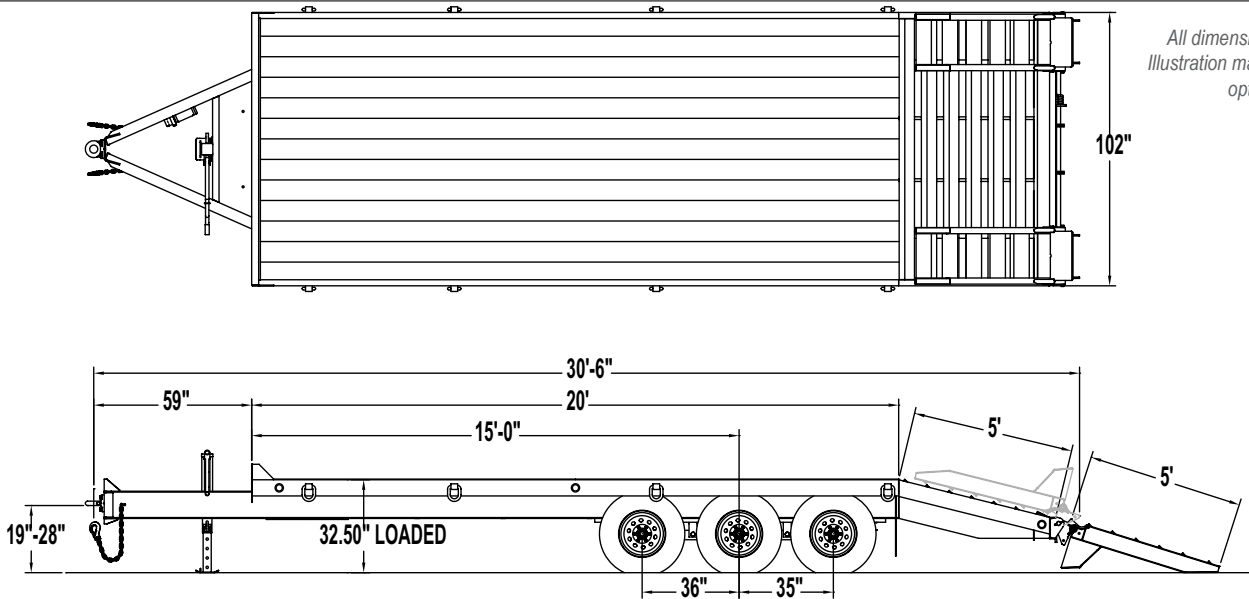
- Limited Lifetime Frame Warranty
- One-Year full Warranty
- 10-year Suspension Warranty
- Weatherproof registration holder
- Two-component polyurethane primer and paint
- Trailer color: Equipment Black
- Ramp color: Equipment Red

Weights and capacities vary depending upon options. Published weights are reference only.

GAWR (lbs)	GVWR (lbs)	Weight (lbs)	Capacity (lbs)	Deck Width (in)	Deck Length (ft)	MSRP
16,000	21,960	5,960	16,000	101.5"	20'	\$14,065

Other options may be available. Ask your dealer or visit our website.

Listed GVWR, weights and dimensions are for reference only. Manufacturer reserves the right to change models and specifications as they see fit. See our web site or your local authorized dealer for more information.



All dimensions are nominal.
Illustration may be shown with optional equipment.

Standard Features

Hitch/Tongue

- Adjustable height hitch
- 3" pintle
- One-piece cold-formed frame rails
- Integrated storage tray
- 12K bolt-on side-wind drop-leg parking jack
- Battery break-away kit w/tow charger & test light
- 7-pole round elec. plug
- Safety chains w/hooks

Frame/Deck

- 20 ft. deck length
- 102" load width
- 32.5" deck height (fully loaded)
- 10" I-beam main frame
- 3" Jr. I-beam crossmembers, 80,000 psi
- 2" nominal white oak wood deck
- D-ring tie-downs (4 per side)

Ramps/Tail

- 5 ft. steel angle-iron beavertail (14°)
- 21" x 5'-0" ladder style angle iron cleats
- One-way spring-assist ramps

Axles/Suspension

- Slipper spring suspension
- (3) 6,000 lb. axles (triple, 6 wheels)
- Tires - 235/85R 16, load range F, 12-ply
- 16" wheels, 6-bolt
- Electric brakes
- Forward self-adjusting brakes
- EZ Lube hubs

Lights/Wiring

- Rubber grommet mounted LED lights
- Sealed modular wiring

Standard Features

- Limited Lifetime Frame Warranty
- One-Year full Warranty
- 10-year Suspension Warranty
- Weatherproof registration holder
- Two-component polyurethane primer and paint
- Trailer color: Equipment Black
- Ramp color: Equipment Red

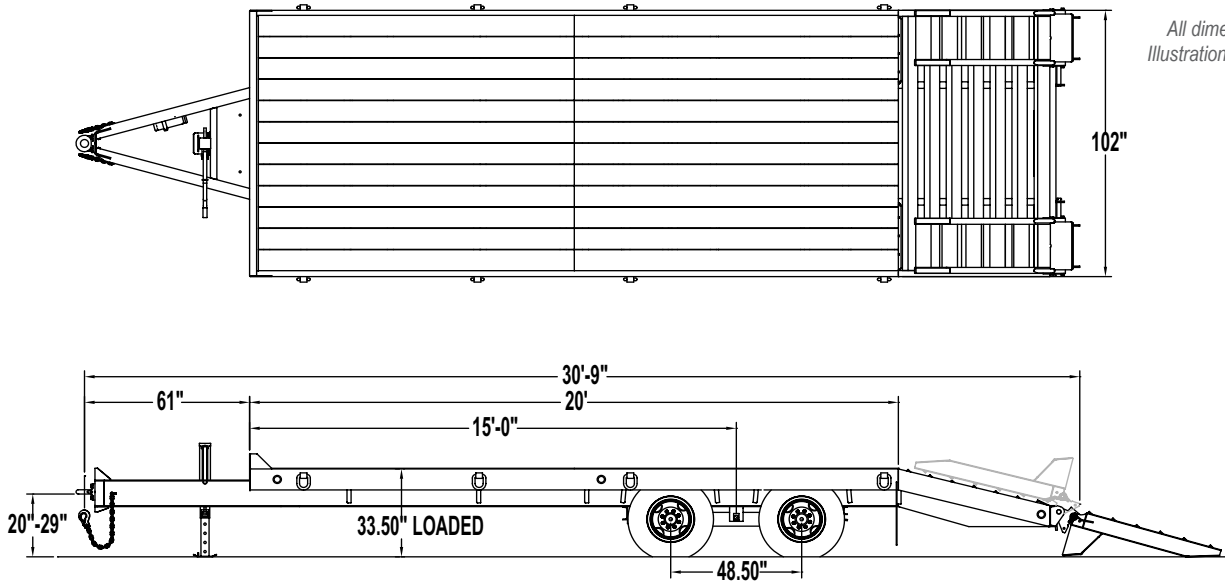
Weights and capacities vary depending upon options. Published weights are reference only.

GAWR (lbs)	GVWR (lbs)	Weight (lbs)	Capacity (lbs)	Deck Width (in)	Deck Length (ft)	MSRP
18,000	24,900	6,200	18,000	101.5"	20'	\$13,750

Other options may be available. Ask your dealer or visit our website.

Listed GVWR, weights and dimensions are for reference only. Manufacturer reserves the right to change models and specifications as they see fit. See our web site or your local authorized dealer for more information.

bigtow.com
Bid Term: 2/22/19 - 2/21/21; Extended to 2/21/22
866-397-8481



All dimensions are nominal.
Illustration may be shown with optional equipment.

Standard Features

Hitch/Tongue

- Adjustable height hitch
- 3" pintle ring
- One-piece cold-formed frame rails
- Integrated storage tray
- 12K bolt-on side-wind drop-leg parking jack
- Battery break-away kit w/tow charger & test light
- 7-pole round elec. plug
- Safety chains w/hooks

Frame/Deck

- 20 ft. deck length
- 102" load width
- 33.5" deck height (fully loaded)
- 10" I-beam main frame
- 3" Jr. I-beam crossmembers, 80,000 psi
- 2" nominal white oak wood deck
- D-ring tie-downs (4 per side)

Ramps/Tail

- 5 ft. steel angle-iron beavertail (14°)
- 21" x 5'-0" ladder style angle iron cleats
- One-way spring-assist ramps

Axles/Suspension

- Slipper spring suspension
- (2) 10,000 lb. axles (8 wheels)
- Tire - 235/85R x 16, load range F, 12-ply
- 16" wheels, 8-bolt
- Elec. or Air brakes (Air has sensors on 1 axle, 2S/1M)
- Full ABS on air brakes
- Oil bath hubs

Lights/Wiring

- Rubber grommet mounted LED lights
- Sealed modular wiring

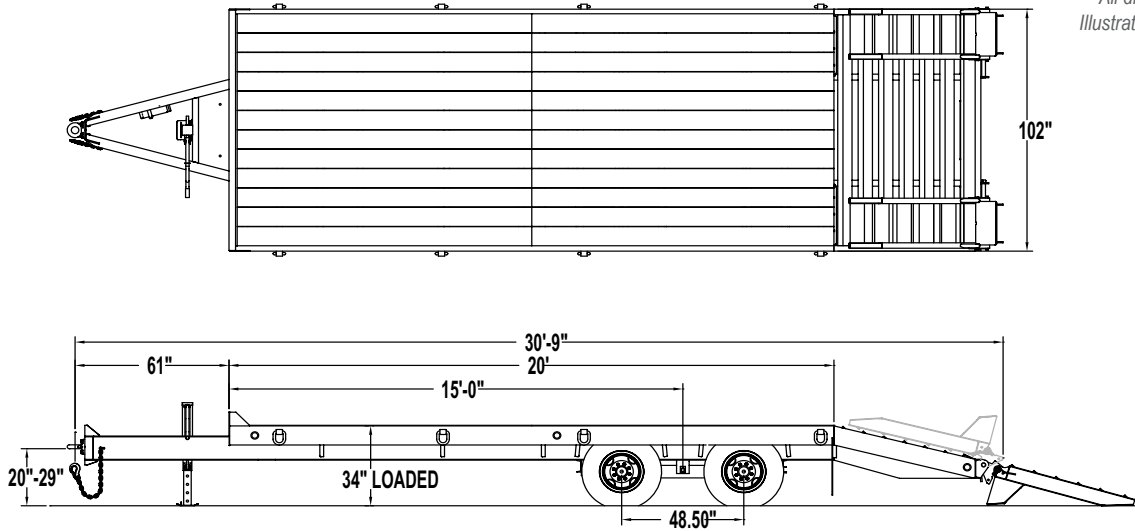
Standard Features

- Limited Lifetime Frame Warranty
- One-Year full Warranty
- 10-year Suspension Warranty
- Weatherproof registration holder
- Two-component polyurethane primer and paint
- Trailer color: Equipment Black
- Ramp color: Equipment Red

Weights and capacities vary depending upon options. Published weights are reference only.

GAWR (lbs)	GVWR (lbs)	Weight (lbs)	Capacity (lbs)	Deck Width (in)	Deck Length (ft)	MSRP
20,000	25,990	6,420	19,570	102"	20' (elec)	\$14,970
20,000	25,990	6,420	19,570	102"	20' (air)	\$18,225

Other options may be available. Ask your dealer or visit our website.



All dimensions are nominal.
 Illustration may be shown with
 optional equipment.

Standard Features

Hitch/Tongue

- Adjustable height hitch
- 3" pintle ring
- One-piece cold-formed frame rails
- Integrated storage tray
- 12K bolt-on side-wind drop-leg parking jack
- Battery break-away kit w/tow charger & test light
- 7-pole round elec. plug
- Safety chains w/hooks

Frame/Deck

- 20 ft. deck length
- 102" load width
- 34" deck height (fully loaded)
- 10" I-beam main frame
- 3" Jr. I-beam crossmembers, 80,000 psi
- 2" nominal white oak wood deck
- D-ring tie-downs (4 per side)

Ramps/Tail

- 5 ft. steel angle-iron beavertail (14°)
- 21" x 5'-0" ladder style angle iron cleats
- One-way spring-assist ramps

Axles/Suspension

- Slipper spring suspension
- (2) 12,000 lb. axles (8 wheels)
- Tire - 235/85R x 16, load range E, 10-ply
- 16" wheels, 8-bolt
- Elec. or Air brakes (Air has sensors on 1 axle, 2S/1M)
- Full ABS on air brakes
- Oil bath hubs

Lights/Wiring

- Rubber grommet mounted LED lights
- Sealed modular wiring

Standard Features

- Limited Lifetime Frame Warranty
- One-Year full Warranty
- 10-year Suspension Warranty
- Weatherproof registration holder
- Two-component polyurethane primer and paint
- Trailer color: Equipment Black
- Ramp color: Equipment Red

Weights and capacities vary depending upon options. Published weights are reference only.

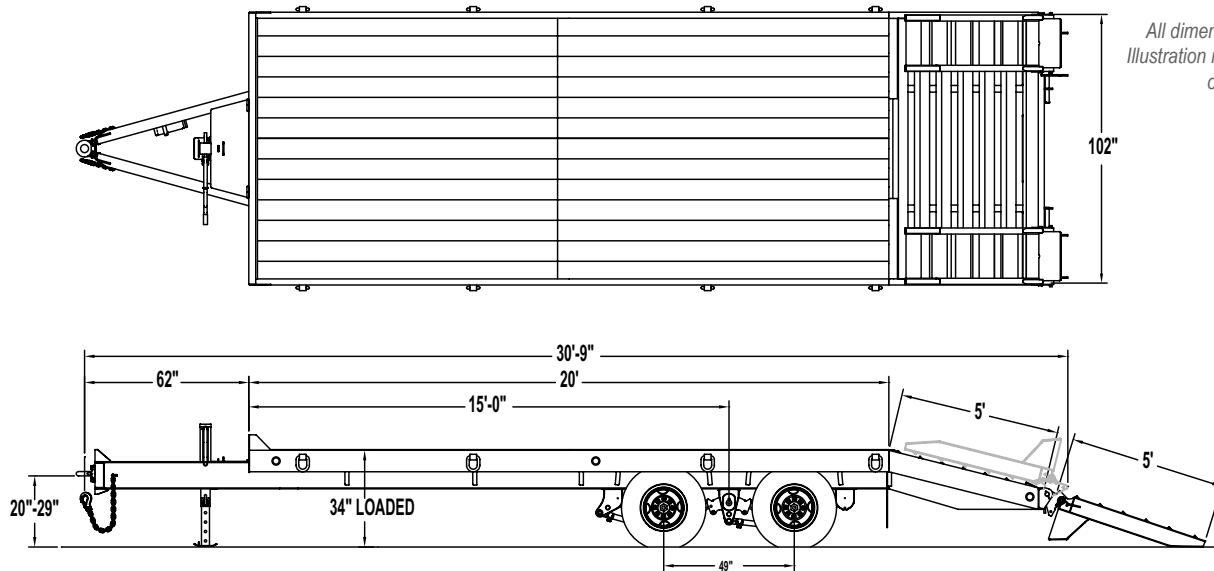
GAWR (lbs)	GVWR (lbs)	Weight (lbs)	Capacity (lbs)	Deck Width (in)	Deck Length (ft)	MSRP
24,000	30,970	6,970	24,000	102"	20' (elec)	\$16,370
24,000	30,970	6,970	24,000	102"	20' (air)	\$19,465

Subject to F.E.T. - deduct \$2.36 per tire
 Other options may be available. Ask your dealer or visit our website.

Listed GVWR, weights and dimensions are for reference only. Manufacturer reserves the right to change models and specifications as they see fit. See our web site or your local authorized dealer for more information.

BE-4 / BE-5 / BE-6 / BE-7 / BE-8 / BE-9-3 / BE-10 / BE-12 OPTIONS

Description	BE-4	BE-5	BE-6	BE-7	BE-8	BE-9-3	BE-10	BE-12	MSRP
TONGUE / HITCH									
2-5/16" ball coupler	•	•	•						N/C
6-pole round plug	•	•	•	•	•	•			N/C
Lockable storage tray lid	•	•	•	•	•	•	•	•	\$125
Gooseneck (2-5/16" coupler) – 84" swing clearance, 39" hitch height (call if varies), tool box with lid, dual jacks	•	•	•	•	•	•			\$1,650
Gooseneck (2-5/16" coupler) – 84" swing clearance, 39" hitch height (call if varies), tool box with lid, dual jacks							•	•	\$1,840
25K 2-speed parking jack (to replace std 12K option)							•	•	\$185
Dual 12K parking jacks							•	•	\$360
Dual 25K parking jacks							•	•	\$690
2-speed 12K drop-leg jack (each)							•	•	\$200
MAIN DECK									
Additional deck length (up to 4 ft. additional) per foot-call for additional	•	•	•	•	•	•	•	•	\$360
Additional D-Rings (each)	•	•	•	•	•	•	•	•	\$35
Additional stake pockets (each)	•	•	•	•	•	•	•	•	\$35
Rub rail with stake pockets in lieu of D-rings (per foot of deck length)	•	•	•	•					\$27
Rub rail with stake pockets in lieu of D-rings (per foot of deck length)					•	•	•	•	\$50
Apitong wood deck (per linear foot)	•	•	•	•	•	•	•	•	\$68
SUSPENSION									
Sensors on 2 axles (4S/2M)							•	•	\$575
Spare tire mount bracket, mounted flat on tongue	•	•	•	•	•	•	•	•	\$165
E-Z Lube hubs	•	•	•	•					\$200
Spare tire and wheel, ST225/75R15	•								\$195
Spare tire and wheel, 235/85R16, load range f		•	•	•		•			\$230
Spare tire and wheel, 235/85R16, load range F (for dual wheels)							•	•	\$250
235/85Rx16, load range "G", 14-ply upgrade (in lieu of "E", 10-ply)			•	•					\$680
235/85Rx16, load range "G", 14-ply upgrade (in lieu of "E", 10-ply)					•				\$1,020
235/85Rx16, load range "G", 14-ply upgrade (in lieu of "E", 10-ply)							•	•	\$1,360
Spare tire and wheel, 215/75R17.5				•					\$480
RAMPS									
Wood beavertail					•	•	•	•	\$185
Spring-assist ramps	•	•	•	•					\$80
Two-way spring-assist ramps					•	•	•	•	\$145
Wood filled 5 ft. ramps	•	•	•	•	•	•	•	•	\$180
Full width ramps, 5 ft. long, mesh or star plate (solid-bar hold-ups)	•	•	•	•					\$895
Air operated ramps, 6'x36", steel cleat or wood top (available on air brake only), requires 24 ft. main deck							•	•	\$3,415
Elec-over-hyd option, in lieu of air operated (add to air operated price)							•	•	\$475
OTHER									
Special color (no metallic) – color match only – ramps painted to match	•	•	•	•	•	•	•	•	CALL
2 chock blocks and holder mounted curb side under deck ahead of wheels	•	•	•	•	•	•	•	•	\$220
Galvanizing	•	•	•	•	•	•	•	•	CALL
Trailer color options: Construction Yellow, Equipment Red, Equipment Blue, Equipment Charcoal	•	•	•	•	•	•	•	•	N/C
Change ramp color to black	•	•	•	•	•	•	•	•	N/C
Change ramp color to yellow, blue, charcoal	•	•	•	•	•	•	•	•	\$50



All dimensions are nominal.
Illustration may be shown with optional equipment.

Standard Features

Hitch/Tongue

- Adjustable height hitch
- 3" pintle ring
- One-piece cold-formed frame rails
- Integrated storage tray w/lockable lid
- 12K bolt-on side-wind drop-leg jack
- Battery break-away kit w/tow charger & test light
- 7-pole round elec. plug
- Safety chains w/hooks

Frame/Deck

- 20 ft. deck length
- 102" load width
- 34" deck height (fully loaded)
- 10" I-beam main frame
- 3" Jr. I-beam crossmembers, 80,000 psi
- 2" nominal white oak wood deck
- D-ring tie-downs (4 per side)

Ramps/Tail

- 5 ft. steel angle-iron beavertail (14°)
- Wood protectors
- 21" x 5'-0" channel sides, cleated ladder style
- Two-way spring-assist ramps

Axles/Suspension

- Hutchens 9700 adjustable suspension
- (2) 10,000 lb. axles (8 wheels)
- Tires - 235/85R16, load range E, 10-ply
- 16" wheels, 8-bolt
- Elec. or Air brakes (Air has sensors on 1 axle, 2S/1M)
- Full ABS on air brakes
- Oil bath hubs

Lights/Wiring

- Rubber grommet mounted LED lights
- Sealed modular wiring

Standard Features

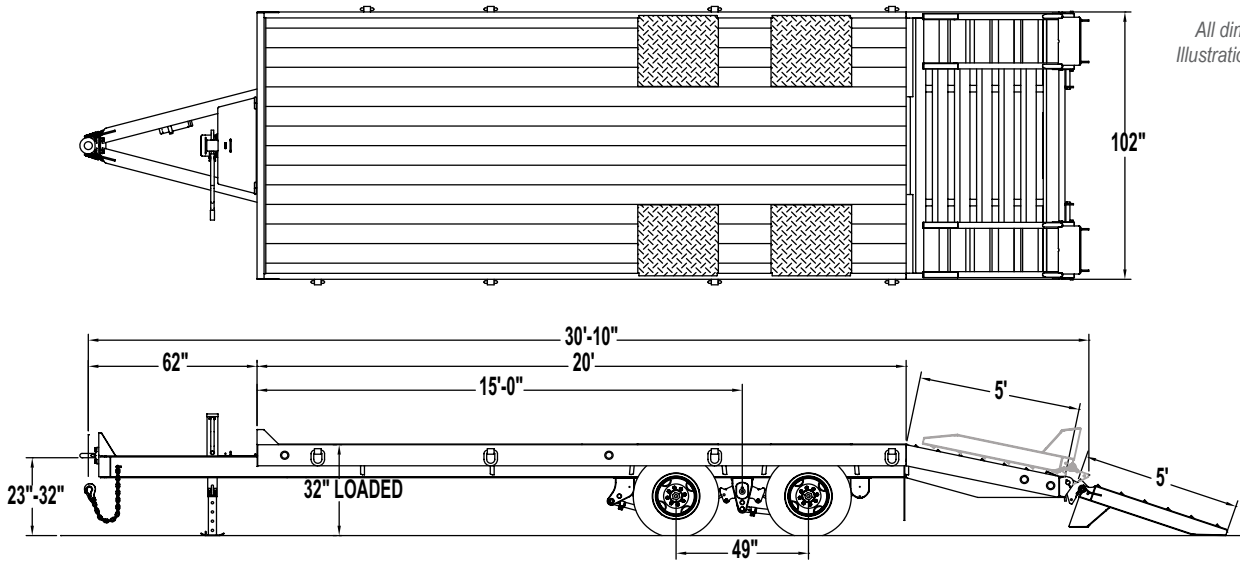
- Limited Lifetime Frame Warranty
- One-Year full Warranty
- Weatherproof registration holder
- Two-component polyurethane primer and paint
- Trailer color: Equipment Black
- Ramp color: Equipment Red

Weights and capacities vary depending upon options. Published weights are reference only.

GAWR (lbs)	GVWR (lbs)	Weight (lbs)	Capacity (lbs)	Deck Width (in)	Deck Length (ft)	MSRP
20,000	25,900	6,900	19,090	102"	20' (elec)	\$16,890
20,000	25,900	6,900	19,090	102"	20' (air)	\$19,605

Other options may be available. Ask your dealer or visit our website.

Listed GVWR, weights and dimensions are for reference only. Manufacturer reserves the right to change models and specifications as they see fit. See our web site or your local authorized dealer for more information.



All dimensions are nominal.
Illustration may be shown with
optional equipment.

Standard Features

Hitch/Tongue

- Adjustable height hitch
- 3" pintle ring
- One-piece cold-formed frame rails
- Integrated storage tray w/lockable lid
- 12K bolt-on side-wind drop-leg jack
- Battery break-away kit w/tow charger & test light
- 7-pole round elec. plug
- Safety chains w/hooks

Frame/Deck

- 20 ft. deck length
- 102" load width
- 32" deck height (fully loaded)
- 8" I-beam main frame
- 3" Jr. I-beam crossmembers, 80,000 psi
- 2" nominal white oak wood deck
- D-ring tie-downs (4 per side)

Ramps/Tail

- 5 ft. steel angle-iron beavertail (12°)
- Wood protectors
- 21" x 5'-0" channel sides, cleated ladder style
- Two-way spring-assist ramps

Axles/Suspension

- Hutchens 9700 adjustable suspension
- (2) 10,000 lb. axles (8 wheels)
- Tires - 235/85R16, load range E, 10-ply
- 16" wheels, 8-bolt
- Elec. or Air brakes (Air has sensors on 1 axle, 2S/1M)
- Full ABS on air brakes
- Oil bath hubs

Lights/Wiring

- Rubber grommet mounted LED lights
- Sealed modular wiring

Standard Features

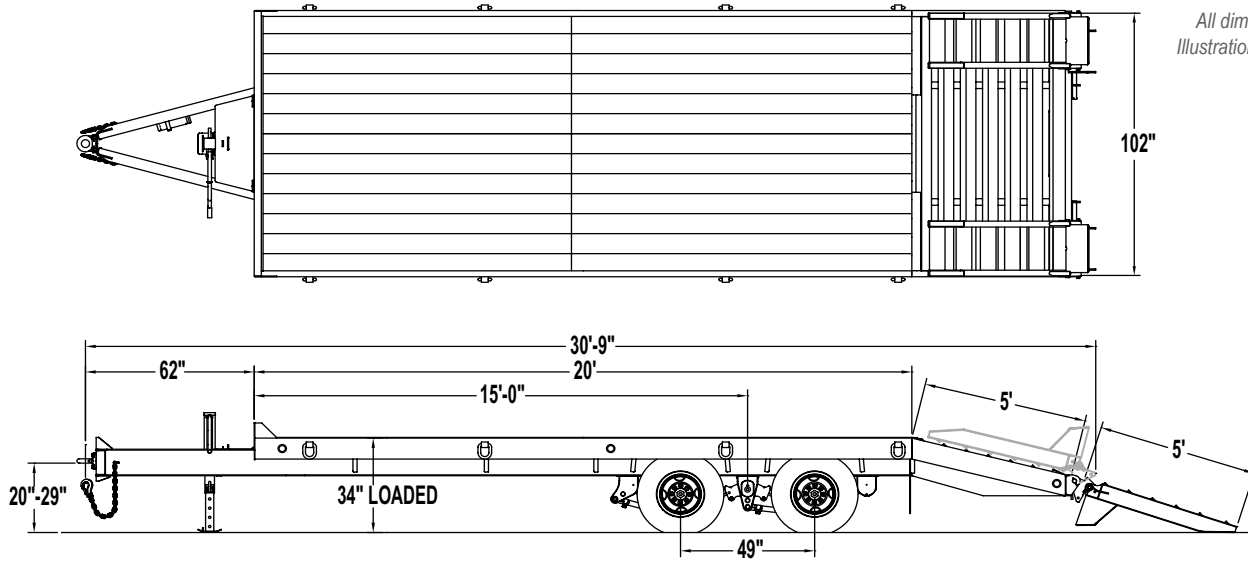
- Limited Lifetime Frame Warranty
- One-Year full Warranty
- Weatherproof registration holder
- Two-component polyurethane primer and paint
- Trailer color: Equipment Black
- Ramp color: Equipment Red

Weights and capacities vary depending upon options. Published weights are reference only.

GAWR (lbs)	GVWR (lbs)	Weight (lbs)	Capacity (lbs)	Deck Width (in)	Deck Length (ft)	MSRP
20,000	25,900	6,900	19,090	102"	20' (elec)	\$17,390
20,000	25,900	6,900	19,090	102"	20' (air)	\$19,605

Other options may be available. Ask your dealer or visit our website.

Listed GVWR, weights and dimensions are for reference only. Manufacturer reserves the right to change models and specifications as they see fit. See our web site or your local authorized dealer for more information.



All dimensions are nominal.
Illustration may be shown with
optional equipment.

Standard Features

Hitch/Tongue

- Adjustable height hitch
- 3" pintle ring
- One-piece cold-formed frame rails
- Integrated storage tray w/lockable lid
- 12K bolt-on side-wind drop-leg jack
- Battery break-away kit w/tow charger & test light
- 7-pole round elec. plug
- Safety chains w/hooks

Frame/Deck

- 20 ft. deck length
- 102" load width
- 34" deck height (fully loaded)
- 10" I-beam main frame
- 3" Jr. I-beam crossmembers, 80,000 psi
- 2" nominal white oak wood deck
- D-ring tie-downs (4 per side)

Ramps/Tail

- 5 ft. steel angle-iron beavertail (14°)
- Wood protectors
- 21" x 5'-0" channel sides, cleated ladder style
- Two-way spring-assist ramps

Axles/Suspension

- Hutchens 9700 adjustable suspension
- (2) 12,000 lb. axles (8 wheels)
- Tires - 235/85R16, load range F, 12-ply
- 16" wheels, 8-bolt
- Elec. or Air brakes (Air has sensors on 1 axle, 2S/1M)
- Full ABS on air brakes
- Oil bath hubs

Lights/Wiring

- Rubber grommet mounted LED lights
- Sealed modular wiring

Standard Features

- Limited Lifetime Frame Warranty
- One-Year full Warranty
- Weatherproof registration holder
- Two-component polyurethane primer and paint
- Trailer color: Equipment Black
- Ramp color: Equipment Red

Weights and capacities vary depending upon options. Published weights are reference only.

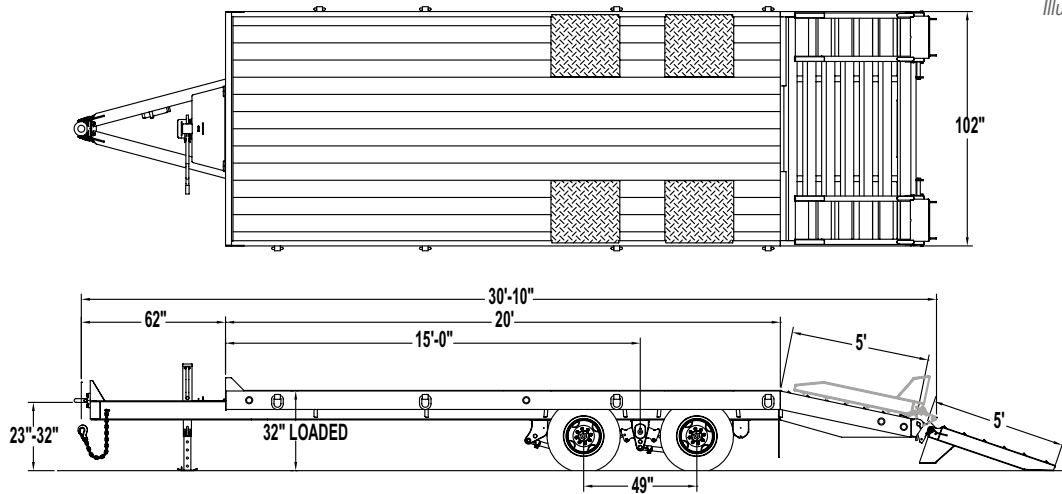
GAWR (lbs)	GVWR (lbs)	Weight (lbs)	Capacity (lbs)	Deck Width (in)	Deck Length (ft)	MSRP
24,000	30,900	6,900	24,000	102"	20' (elec)	\$17,895
24,000	30,900	6,900	24,000	102"	20' (air)	\$20,090

Subject to F.E.T. - deduct \$2.36 per tire
Other options may be available. Ask your dealer or visit our website.

Listed GVWR, weights and dimensions are for reference only. Manufacturer reserves the right to change models and specifications as they see fit. See our web site or your local authorized dealer for more information.

bigtow.com
866-397-8481
Bid Term: 2/22/19 - 2/21/21; Extended to 3/1/21

All dimensions are nominal.
 Illustration may be shown with optional equipment.



Standard Features

Hitch/Tongue

- Adjustable height hitch
- 3" pintle ring
- One-piece cold-formed frame rails
- Integrated storage tray w/lockable lid
- 12K bolt-on side-wind drop-leg jack
- Battery break-away kit w/tow charger & test light
- 7-pole round elec. plug
- Safety chains w/hooks

Frame/Deck

- 20 ft. deck length
- 102" load width
- 32" deck height (fully loaded)
- 8" I-beam main frame
- 3" Jr. I-beam crossmembers, 80,000 psi
- 2" nominal white oak wood deck
- D-ring tie-downs (4 per side)

Ramps/Tail

- 5 ft. steel angle-iron beavertail (12°)
- Wood protectors
- 21" x 5'-0" channel sides, cleated ladder style
- Two-way spring-assist ramps

Axles/Suspension

- Hutchens 9700 adjustable suspension
- (2) 12,000 lb. axles (8 wheels)
- Tires - 235/85R16, load range F, 12-ply
- 16" wheels, 8-bolt
- Elec. or Air brakes (Air has sensors on 1 axle, 2S/1M)
- Full ABS on air brakes
- Oil bath hubs

Lights/Wiring

- Rubber grommet mounted LED lights
- Sealed modular wiring

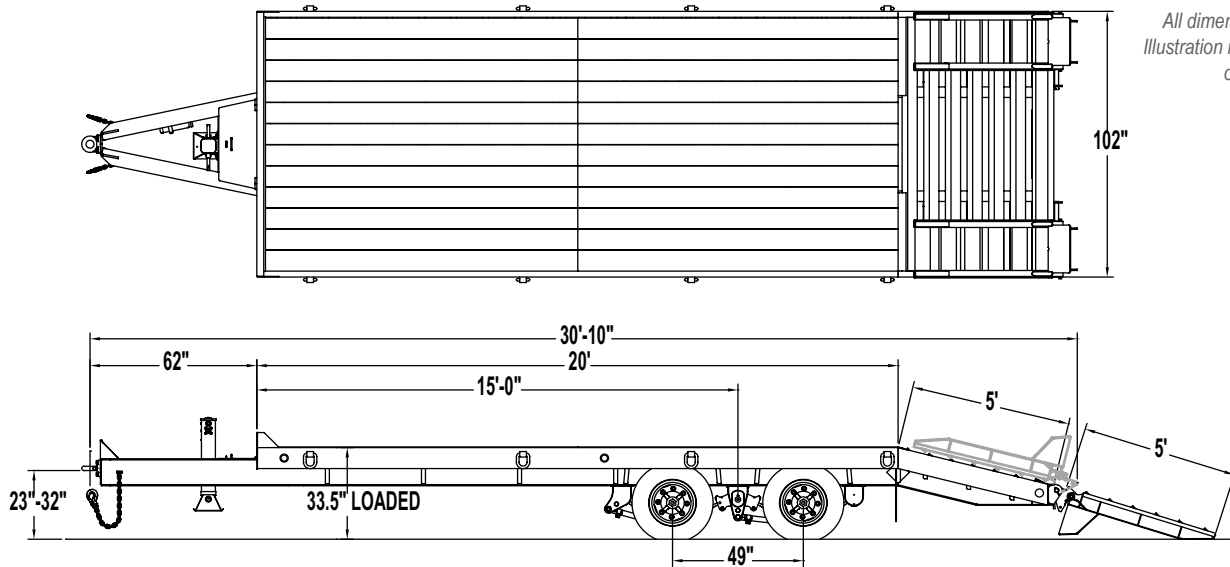
Standard Features

- Limited Lifetime Frame Warranty
- One-Year full Warranty
- Weatherproof registration holder
- Two-component polyurethane primer and paint
- Trailer color: Equipment Black
- Ramp color: Equipment Red

Weights and capacities vary depending upon options. Published weights are reference only.

GAWR (lbs)	GVWR (lbs)	Weight (lbs)	Capacity (lbs)	Deck Width (in)	Deck Length (ft)	MSRP
24,000	30,900	6,900	24,000	102"	20' (elec)	\$18,400
24,000	30,900	6,900	24,000	102"	20' (air)	\$20,635

Subject to F.E.T. - deduct \$2.36 per tire
 Other options may be available. Ask your dealer or visit our website.



Standard Features

Hitch/Tongue

- Adjustable height hitch
- 3" pintle ring
- One-piece cold-formed frame rails
- Integrated storage tray w/lockable lid
- 25K bolt-on two-speed jack
- Battery break-away kit w/tow charger & test light
- 7-pole round elec. plug
- Safety chains w/hooks

Frame/Deck

- 20 ft. deck length
- 102" load width
- 33.5" deck height (fully loaded)
- 10" I-beam main frame
- 3" Jr. I-beam crossmembers, 80,000 psi
- 2" nominal white oak wood deck
- D-ring tie-downs (4 per side)

Ramps/Tail

- 5 ft. steel angle-iron beavertail (14°)
- Wood protectors
- 21" x 5'-0" channel sides, cleated ladder style
- Two-way spring-assist ramps

Axles/Suspension

- Hutchens 9700 adjustable suspension
- (2) 15,000 lb. axles (8 wheels)
- Tires - 215/75R17.5, load range H
- 17.5" wheels, 8-bolt, hub piloted
- Electric brakes only
- Oil bath hubs

Lights/Wiring

- Rubber grommet mounted LED lights
- Sealed modular wiring

Standard Features

- Limited Lifetime Frame Warranty
- One-Year full Warranty
- Weatherproof registration holder
- Two-component polyurethane primer and paint
- Trailer color: Equipment Black
- Ramp color: Equipment Red

Weights and capacities vary depending upon options. Published weights are reference only.

GAWR (lbs)	GVWR (lbs)	Weight (lbs)	Capacity (lbs)	Deck Width (in)	Deck Length (ft)	MSRP
30,000	38,300	8,300	30,000	102"	20'	\$20,905

Subject to F.E.T. - deduct \$12.33 per tire
Other options may be available. Ask your dealer or visit our website.

Listed GVWR, weights and dimensions are for reference only. Manufacturer reserves the right to change models and specifications as they see fit. See our web site or your local authorized dealer for more information.

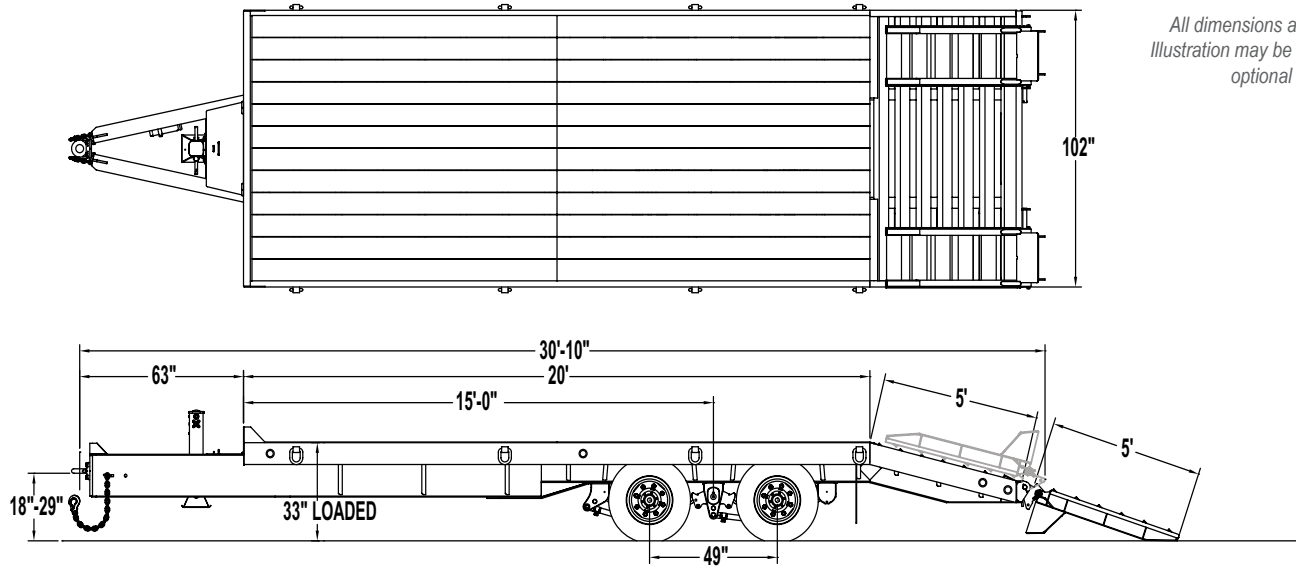
bigtow.com
866-397-8481
Bid Term: 2/22/19 - 2/21/21; Extended 3/1/21

B-10 / B-10LP / B-12 / B-12LP / B-15 OPTIONS

Description	B-10	B-10LP	B-12	B-12LP	B-15	MSRP
TONGUE / HITCH						
Tongue length, add per foot (2 ft. max)	•	•	•	•	•	\$275
Gooseneck (2-5/16") 84" swing clearance, 39" hitch height (call if varies), tool box with lid, dual jacks	•	•	•	•		\$1,840
Gooseneck (3" coupler) 84" swing clearance, 39" hitch height (call if varies), tool box with lid, dual jacks					•	\$2,185
Rigid Gooseneck (10 ft. top, 84" swing clearance, 16" king pin setting)	•	•	•	•	•	\$3,520
2-5/16" folding ball plate	•	•	•	•		\$220
25K 2-speed parking jack (to replace std 12K option)	•	•	•	•		\$185
Dual 12K parking jacks	•	•	•	•		\$360
Dual 25K parking jacks	•	•	•	•		\$690
Dual 25K parking jacks on T-30 (comes with single 25K jack std)					•	\$395
12K Electric over hydraulic jack with battery kit	•	•	•	•		\$1,825
Dual 12K Electric over hydraulic jack with battery kit	•	•	•	•		\$2,825
2-speed 12K drop-leg jack (each)	•	•	•	•		\$200
MAIN DECK						
Additional deck length (up to 4 ft. additional) per foot-call for additional	•	•	•	•	•	\$360
Additional D-rings or stake pockets (each)	•	•	•	•	•	\$35
Rub rail with stake pockets in lieu of D-rings (per foot of deck length)	•	•	•	•	•	\$50
Battery Kit w/charger for bifold ramp or electric over hydraulic ramp (installed)	•	•	•	•	•	\$595
12K Electric winch (includes 125 ft. x 3/8" cable, corded remote, wiring to rear of truck)	•	•	•	•	•	\$2,690
Battery Kit w/charger for winch (installed)	•	•	•	•	•	\$595
Apitong wood deck (per linear foot)	•	•	•	•	•	\$68
Sliding winch track (per foot) – curb side standard	•	•	•	•	•	\$50
Sliding winch, 4" for winch track (each)	•	•	•	•	•	\$45
Winch for cargo straps (each - P/N 37-2023) – welded on, curb side standard, 4"	•	•	•	•	•	\$55
4" x 30 ft. cargo straps with flat hook (each)	•	•	•	•	•	\$48
SUSPENSION						
Sensors on 2 axles (4S/2M)	•	•	•	•		\$575
Spare tire mount bracket, mounted flat on tongue	•	•	•	•	•	\$165
Spare tire and wheel, 235/85R16, load range E	•	•	•	•		\$250
235/85R16, load range "G", 14-ply upgrade (in lieu of "E", 10-ply)	•	•	•	•		\$1,360
Spare tire and wheel, 215/75R17.5, load range H					•	\$525
Tire upgrade, 235/75R17.5, (per tire)					•	\$55
RAMPS						
Wood filled beavertail in lieu of angle iron	•	•	•	•	•	\$185
6-foot angle-iron beavertail	•	•	•	•	•	\$465
Double-Break Beavertail (7'-6") with 6-foot spring-assist ramps	•	•	•	•	•	\$875
Bucket well in beavertail	•	•	•	•	•	\$660
Third ramp	•	•	•	•	•	\$555
6-foot steel cleated ramps	•	•	•	•	•	\$175
6-foot wood filled ramps	•	•	•	•	•	\$320
5 ft. wood filled ramps in lieu of angle iron	•	•	•	•	•	\$180
deck	•	•	•	•		\$3,415
Air ramps, 6' x 48" wood or cleted requires 24' of main deck	•	•	•	•		\$3,925
Electric over hydraulic ramps, 6' x 48" wood or cleted requires 24' of main deck	•	•	•	•	•	\$4,400
Elec over Hydraulic operated ramps, 6' x 36", steel cleat or wood top, requires 24 ft. main deck	•	•	•	•	•	\$3,890

B-10 / B-10LP / B-12 / B-12LP / B-15 OPTIONS

Description	B-10	B-10LP	B-12	B-12LP	B-15	MSRP
OTHER						
Special color (no metallic) – color match only – ramps painted to match	•	•	•	•	•	CALL
2 chock blocks and holder mounted curb side under deck ahead of wheels	•	•	•	•	•	\$220
Galvanizing	•	•	•	•	•	CALL
Trailer color options: Construction Yellow, Equipment Red, Equipment Blue, Equipment Charcoal	•	•	•	•	•	N/C
Change ramp color to black	•	•	•	•	•	N/C
Change ramp color to yellow, blue, charcoal	•	•	•	•	•	\$50



Standard Features

Hitch/Tongue

- Adjustable height hitch
- 3" pintle ring
- One-piece cold-formed frame rails
- Integrated storage tray w/lockable lid
- 25K bolt-on two-speed jack
- 7-pole round elec. plug
- Safety chains w/hooks

Frame/Deck

- 20 ft. deck length
- 102" load width
- 33" deck height (fully loaded)
- 16" I-beam main frame
- 3" Jr. I-beam crossmembers, 80,000 psi
- 2" nominal white oak wood deck
- D-ring tie-downs (4 per side)

Ramps/Tail

- 5 ft. steel angle-iron beavertail (14°)
- Wood protectors
- 21" x 5'-0" channel sides, cleated ladder style
- Two-way spring-assist ramps

Axles/Suspension

- Hutchens 9700 Adjustable susp.
- (2) 22,500 lb. axles (8 wheels)
- Tires - 235/75R17.5, load range H, 16-ply
- 17.5" wheels, 8-bolt, hub piloted
- Air brakes (sensor on 1 axle, 2S/1M) Full ABS
- Brake size (12.25x7.5)
- Auto slack Adjustable
- Oil bath hubs

Lights/Wiring

- Rubber grommet mounted LED lights
- Sealed modular wiring

Standard Features

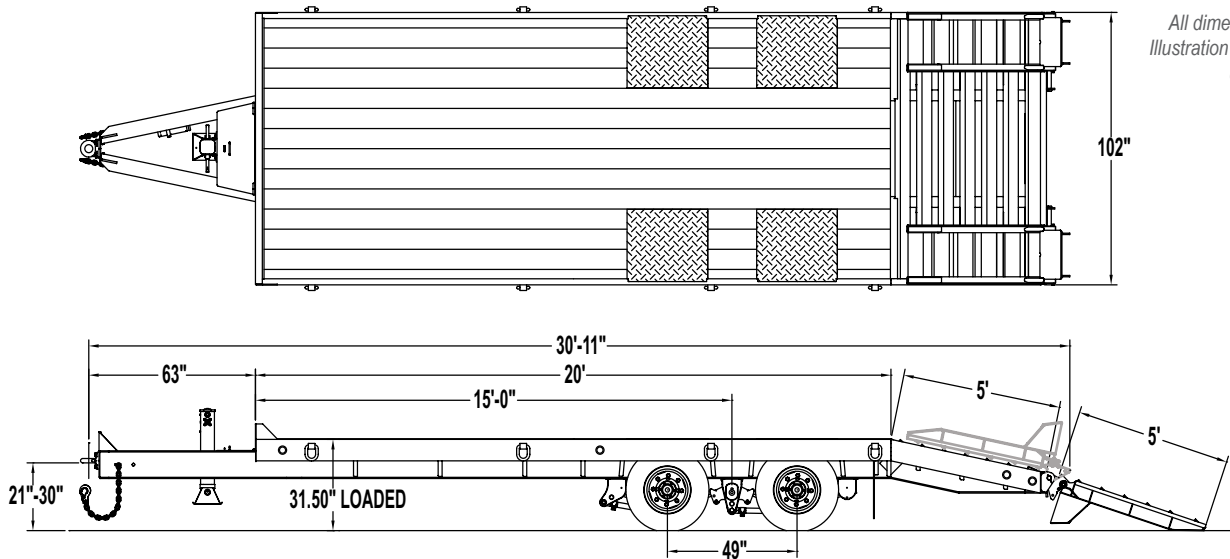
- Limited Lifetime Frame Warranty
- One-Year full Warranty
- Weatherproof registration holder
- Two-component polyurethane primer and paint
- Trailer color: Equipment Black
- Ramp color: Equipment Red

Weights and capacities vary depending upon options. Published weights are reference only.

GAWR (lbs)	GVWR (lbs)	Weight (lbs)	Capacity (lbs)	Deck Width (in)	Deck Length (ft)	MSRP
45,000	48,720	8,720	40,000	102"	20'	\$23,450

Subject to F.E.T. – deduct \$23.67 per tire
 Other options may be available. Ask your dealer or visit our website.

Listed GVWR, weights and dimensions are for reference only. Manufacturer reserves the right to change models and specifications as they see fit. See our web site or your local authorized dealer for more information.



All dimensions are nominal.
 Illustration may be shown with
 optional equipment.

Standard Features

Hitch/Tongue

- Adjustable height hitch
- 3" pintle ring
- One-piece cold-formed frame rails
- Integrated storage tray w/lockable lid
- 25K bolt-on two-speed jack
- 7-pole round elec. plug
- Safety chains w/hooks

Frame/Deck

- 20 ft. deck length
- 102" load width
- 31.5" deck height (fully loaded)
- 10" I-beam main frame
- 3" Jr. I-beam crossmembers, 80,000 psi
- 2" nominal white oak wood deck
- D-ring tie-downs (4 per side)

Ramps/Tail

- 5 ft. steel angle-iron beavertail (12°)
- Wood protectors
- 21" x 5'-0" channel sides, cleated ladder style
- Two-way spring-assist ramps

Axles/Suspension

- Hutchens 9700 Adjustable susp.
- (2) 22,500 lb. axles (8 wheels)
- Tires - 235/75R17.5, load range H, 16-ply
- 17.5" wheels, 8-bolt, hub piloted
- Air brakes (sensor on 1 axle, 2S/1M) Full ABS
- Brake size (12.25x7.5)
- Auto slack Adjustable
- Oil bath hubs

Lights/Wiring

- Rubber grommet mounted LED lights
- Sealed modular wiring

Standard Features

- Limited Lifetime Frame Warranty
- One-Year full Warranty
- Weatherproof registration holder
- Two-component polyurethane primer and paint
- Trailer color: Equipment Black
- Ramp color: Equipment Red

Weights and capacities vary depending upon options. Published weights are reference only.

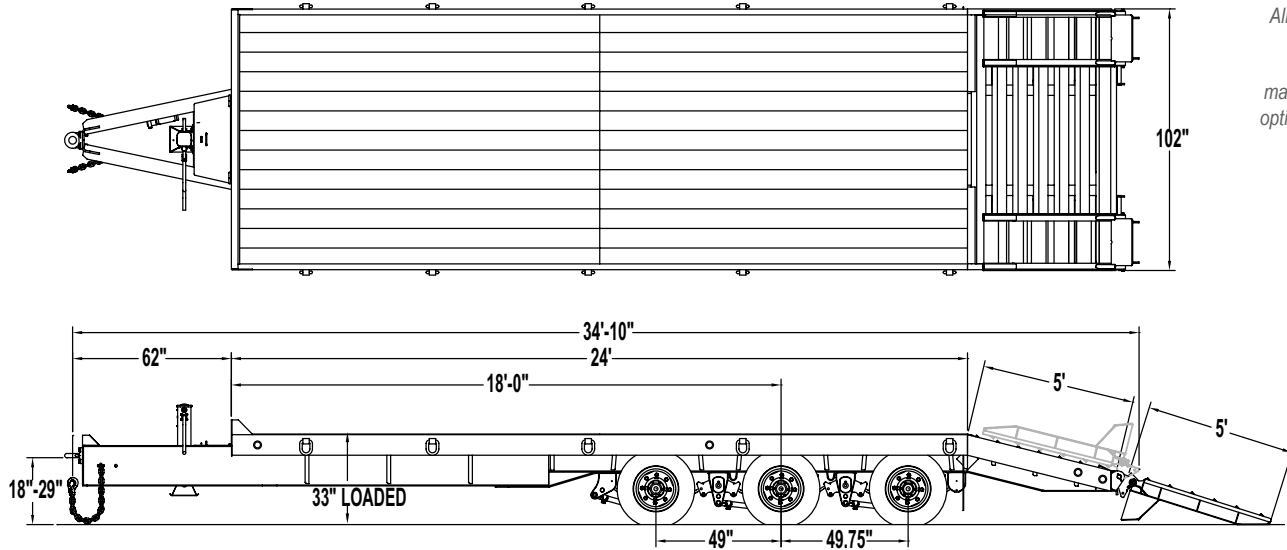
GAWR (lbs)	GVWR (lbs)	Weight (lbs)	Capacity (lbs)	Deck Width (in)	Deck Length (ft)	MSRP
45,000	48,720	8,720	40,000	102"	20'	\$23,885

Subject to F.E.T. - deduct \$23.67 per tire
 Other options may be available. Ask your dealer or visit our website.

Listed GVWR, weights and dimensions are for reference only. Manufacturer reserves the right to change models and specifications as they see fit. See our web site or your local authorized dealer for more information.

bigtow.com
 Bid Term: 2/22/19 - 2/21/21; Extended to 6/21/22
 866-397-8481
 ©Big Tow - 0121

All dimensions are nominal. Illustration may be shown with optional equipment.



Standard Features

Hitch/Tongue

- Adjustable height hitch
- 3" pintle ring
- One-piece cold-formed frame rails
- Integrated storage tray w/lockable lid
- 25K bolt-on two-speed parking jack
- 7-pole round elec. plug
- Safety chains w/hooks

Frame/Deck

- 24 ft. deck length
- 102" load width
- 33" deck height (fully loaded)
- 16" I-beam main frame
- 3" Jr. I-beam crossmembers, 80,000 psi
- 2" nominal white oak wood deck
- D-ring tie-downs (5 per side)

Ramps/Tail

- 5 ft. steel angle-iron beavertail (14°)
- Wood protectors
- 21" x 5'-0" channel sides, cleated ladder style
- Two-way spring-assist ramps

Axles/Suspension

- Hutchens 9700 Adjustable susp.
- (3) 22,500 lb. axles (12 wheels)
- Tires - 215/75R17.5, load range H, 16-ply
- 17.5" wheels, 8-bolt, hub piloted
- Air brakes (sensor on 1 axle, 2S/1M) Full ABS
- Brake size (12.25x7.5)
- Auto slack Adjustable
- Oil bath hubs

Lights/Wiring

- Rubber grommet mounted LED lights
- Sealed modular wiring

Standard Features

- Limited Lifetime Frame Warranty
- One-Year full Warranty
- Weatherproof registration holder
- Two-component polyurethane primer and paint
- Trailer color: Equipment Black
- Ramp color: Equipment Red

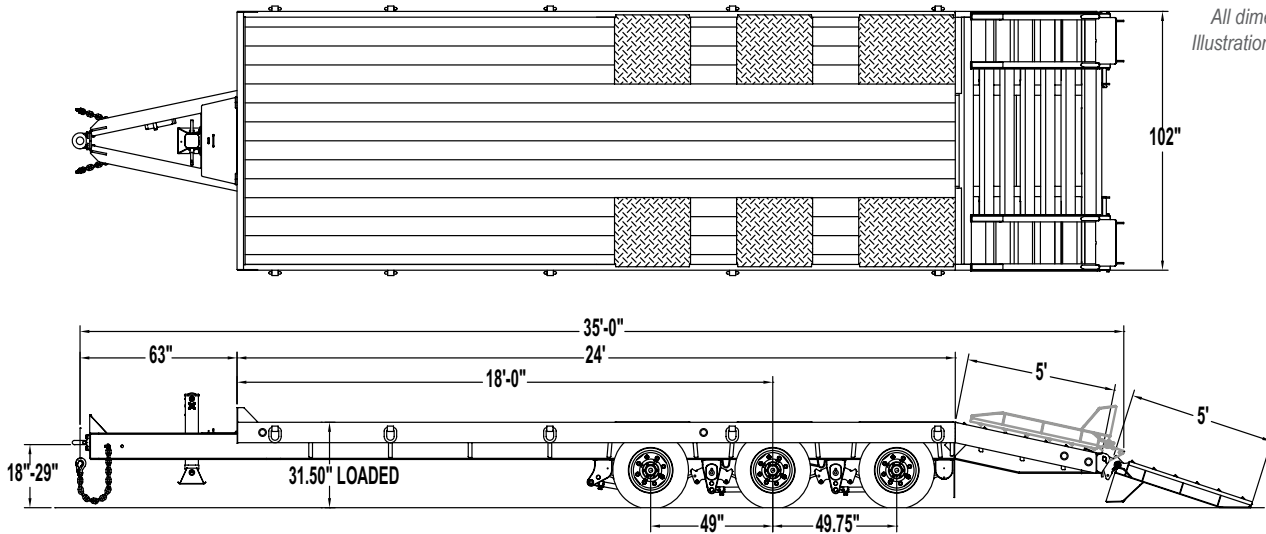
Weights and capacities vary depending upon options. Published weights are reference only.

GAWR (lbs)	GVWR (lbs)	Weight (lbs)	Capacity (lbs)	Deck Width (in)	Deck Length (ft)	MSRP
54,480	60,700	10,700	50,000	102"	24'	\$29,925

Subject to F.E.T. - deduct \$12.33 per tire
 Other options may be available. Ask your dealer or visit our website.

Listed GVWR, weights and dimensions are for reference only. Manufacturer reserves the right to change models and specifications as they see fit. See our web site or your local authorized dealer for more information.

bigtow.com
 Bid Term: 2/22/19 - 2/21/21; Extended to 6/21/22
 866-397-8481
 ©Big Tow - 0121



All dimensions are nominal.
 Illustration may be shown with
 optional equipment.

Standard Features

Hitch/Tongue

- Adjustable height hitch
- 3" pintle ring
- One-piece cold-formed frame rails
- Integrated storage tray w/lockable lid
- 25K bolt-on two-speed parking jack
- 7-pole round elec. plug
- Safety chains w/hooks

Frame/Deck

- 24 ft. deck length
- 102" load width
- 31.5" deck height (fully loaded)
- 10" I-beam main frame
- 3" Jr. I-beam crossmembers, 80,000 psi
- 2" nominal white oak wood deck
- D-ring tie-downs (5 per side)

Ramps/Tail

- 5 ft. steel angle-iron beavertail (12°)
- Wood protectors
- 21" x 5'-0" channel sides, cleated ladder style
- Two-way spring-assist ramps

Axles/Suspension

- Hutchens 9700 Adjustable susp.
- (3) 22,500 lb. axles (12 wheels)
- Tires - 215/75R17.5, load range H, 16-ply
- 17.5" wheels, 8-bolt, hub piloted
- Air brakes (sensor on 1 axle, 2S/1M) Full ABS
- Brake size (12.25x7.5)
- Auto slack Adjustable
- Oil bath hubs

Lights/Wiring

- Rubber grommet mounted LED lights
- Sealed modular wiring

Standard Features

- Limited Lifetime Frame Warranty
- One-Year full Warranty
- Weatherproof registration holder
- Two-component polyurethane primer and paint
- Trailer color: Equipment Black
- Ramp color: Equipment Red

Weights and capacities vary depending upon options. Published weights are reference only.

GAWR (lbs)	GVWR (lbs)	Weight (lbs)	Capacity (lbs)	Deck Width (in)	Deck Length (ft)	MSRP
54,480	60,600	10,600	50,000	102"	24'	\$31,345

Listed GVWR, weights and dimensions are for reference only. Manufacturer reserves the right to change models and specifications as they see fit. See our web site or your local authorized dealer for more information.

Subject to F.E.T. – deduct \$12.33 per tire
 Other options may be available. Ask your dealer or visit our website.

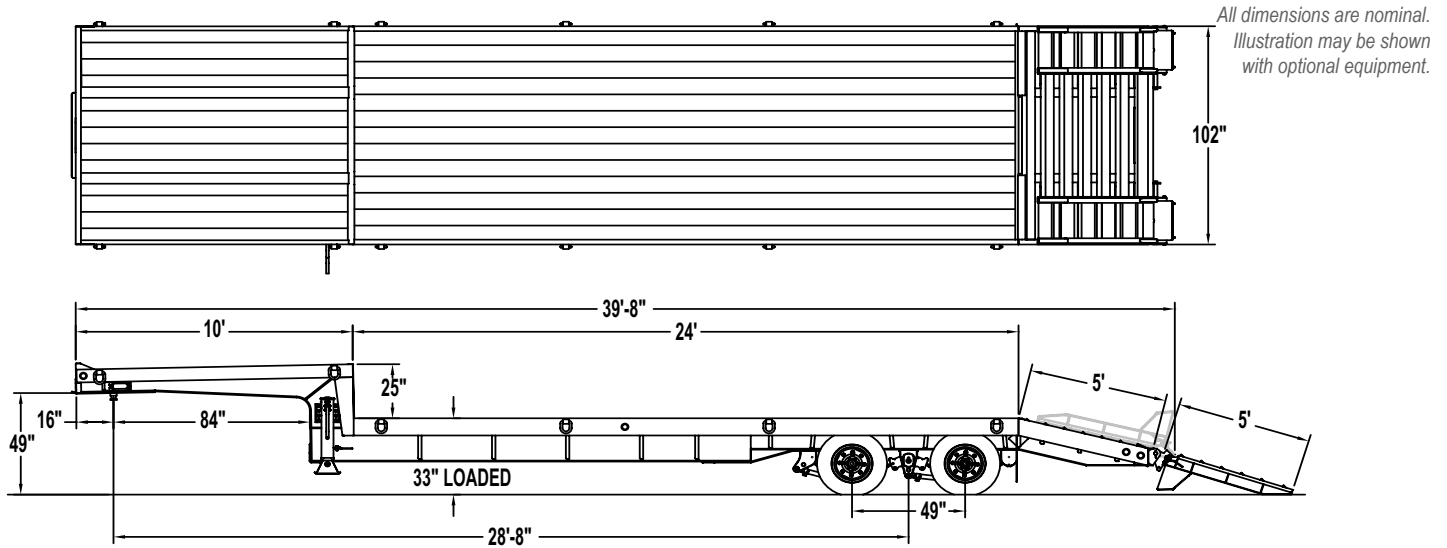
bigtow.com
 Bid Term: 2/22/19 - 2/21/21; Extended 2/21/21
 866-997-8481
 ©Big Tow - 0121

B-20 / B-20LP / B-25 / B-25LP OPTIONS

Description	B-20	B-20LP	B-25	B-25LP	MSRP
TONGUE / HITCH					
Tongue length, add per foot (2 ft. max)	•	•	•	•	\$275
25K Electric over hydraulic jack kit with battery	•	•	•	•	\$2,195
Dual 25K Electric over hydraulic jack kit with battery	•	•	•	•	\$3,195
Dual 25K parking jacks	•	•	•	•	\$395
MAIN DECK					
Additional deck length (up to 4 ft. additional) per foot-call for additional	•	•	•	•	\$360
Additional D-rings or stake pockets (each)	•	•	•	•	\$35
Rub rail with stake pockets in lieu of D-rings (per foot of deck length)	•	•	•	•	\$50
truck)	•	•	•	•	\$2,690
20K Electric Winch (corded remote and wiring to tow vehicle)	•	•	•	•	\$5,295
Battery Kit w/charger for winch (installed)	•	•	•	•	\$595
Battery Kit w/charger for bifold ramp or electric over hydraulic ramp (installed)	•	•	•	•	\$595
Apitong wood deck (per linear foot)	•	•	•	•	\$68
Sliding winch track (per foot) – curb side standard	•	•	•	•	\$50
Sliding winch, 4" for winch track (each)	•	•	•	•	\$45
Winch for cargo straps (each - P/N 37-2023) – welded on, curb side standard, 4"	•	•	•	•	\$55
4" x 30 ft. cargo straps with flat hook (each)	•	•	•	•	\$48
SUSPENSION					
55" axle spread			•	•	\$705
60" axle spread			•	•	\$1,085
Sensors on 2 axles (4S/2M)	•	•	•	•	\$575
Sensors on 3 axles (6S/3M)			•	•	\$1,265
25K axle upgrade (per axle)	•	•	•	•	\$225
Air Ride Suspension, 22.5K (includes dump valve), raises deck height 1.5"	•	•			\$3,400
Air Ride Suspension, 22.5K (includes dump valve), raises deck height 1.5"			•	•	\$4,975
Air lift axle (upgrade to Air Ride recommended on all axles)			•		\$3,695
Spare tire mounting bracket, mounted on tongue, curb side	•	•	•	•	\$165
Spare tire and wheel, 215/75R17.5, load range H			•	•	\$525
Spare tire and wheel, 235/75R17.5, load range H	•	•			\$580
RAMPS					
Wood filled beavertail in lieu of angle iron	•	•	•	•	\$185
6-foot angle-iron beavertail	•	•	•	•	\$465
Double-Break Beavertail (7'-6") with 6-foot spring-assist ramps	•	•	•	•	\$875
Bucket well in beavertail	•	•	•	•	\$660
Third ramp	•	•	•	•	\$555
6-foot steel cleated ramps	•	•	•	•	\$175
6-foot wood filled ramps	•	•	•	•	\$320
5 ft. wood filled ramps in lieu of angle iron	•	•	•	•	\$180
6'x36" air operated cletat or wood ramps (min 24' deck length)	•	•	•	•	\$3,415
6'x36" electric over hydraulic cletat or wood ramps (min 24' deck length)	•	•	•	•	\$3,890
6'x48" air operated cletat or wood ramps (min 24' deck length)	•	•	•	•	\$3,925
6'x48" electric over hydraulic cletat or wood ramps (min 24' deck length)	•	•	•	•	\$4,400

B-20 / B-20LP / B-25 / B-25LP OPTIONS

Description	B-20	B-20LP	B-25	B-25LP	MSRP
RAMPS					
7'x36" air operated cletat or wood ramps (min 24' deck length)	•	•	•	•	\$4,425
7'x36" electric over hydraulic cletat or wood ramps (min 24' deck length)	•	•	•	•	\$4,900
7'x48" electric over hydraulic cletat or wood ramps (min 24' deck length)	•	•	•	•	\$5,200
8'x36" electric over hydraulic cletat or wood ramps (min 24' deck length)	•	•	•	•	\$5,500
8'x48" electric over hydraulic cletat or wood ramps (min 24' deck length)	•	•	•	•	\$5,995
Bi-fold ramps, elec-over-hyd, 11' at 9°, includes 6' at 8° wood filled beavertail (26' min. deck length required)	•	•	•	•	\$8,890
OTHER					
Special color (no metallic) – color match only – ramps painted to match	•	•	•	•	CALL
2 chock blocks and holder mounted curb side under deck ahead of wheels	•	•	•	•	\$220
Inverted side rails	•	•	•	•	\$850
Hubmeter	•	•	•	•	\$138
Stobe kit switched and mounted	•	•	•	•	\$685
Trailer step	•	•	•	•	\$116
Galvanizing	•	•	•	•	CALL
Trailer color options: Construction Yellow, Equipment Red, Equipment Blue, Equipment Charcoal	•	•	•	•	N/C
Change ramp color to black	•	•	•	•	N/C
Change ramp color to yellow, blue, charcoal	•	•	•	•	\$50



Standard Features

Hitch/Tongue

- 2" king pin hitch
- 10'-0" Rigid Gooseneck
- 2" nominal white oak decking
- D-ring tie downs (2 per side)
- (2) 25K bolt-on two-speed parking jacks

Axles/Suspension

- Hutchens 9700 Adjustable susp.
- (2) 22,500 lb. axles (8 wheels)
- Tires - 215/75R17.5, load range H, 16-ply
- 17.5" wheels, 8-bolt, hub piloted
- Air brakes (12.25x7.5)
- Auto slack Adjustable
- Oil bath hubs

Frame/Deck

- 24 ft. deck length
- 102" load width
- 33" deck height (fully loaded)
- I-beam main frame
- 3" Jr. I-beam crossmembers, 80,000 psi
- 2" nominal white oak wood deck
- D-ring tie-downs (6 per side)

Lights/Wiring

- Rubber grommet mounted LED lights
- Sealed modular wiring

Ramps/Tail

- 5 ft. steel angle-iron beavertail (14°)
- Wood protectors
- 21" x 5'-0" channel sides, cleated ladder style
- Two-way spring-assist ramps

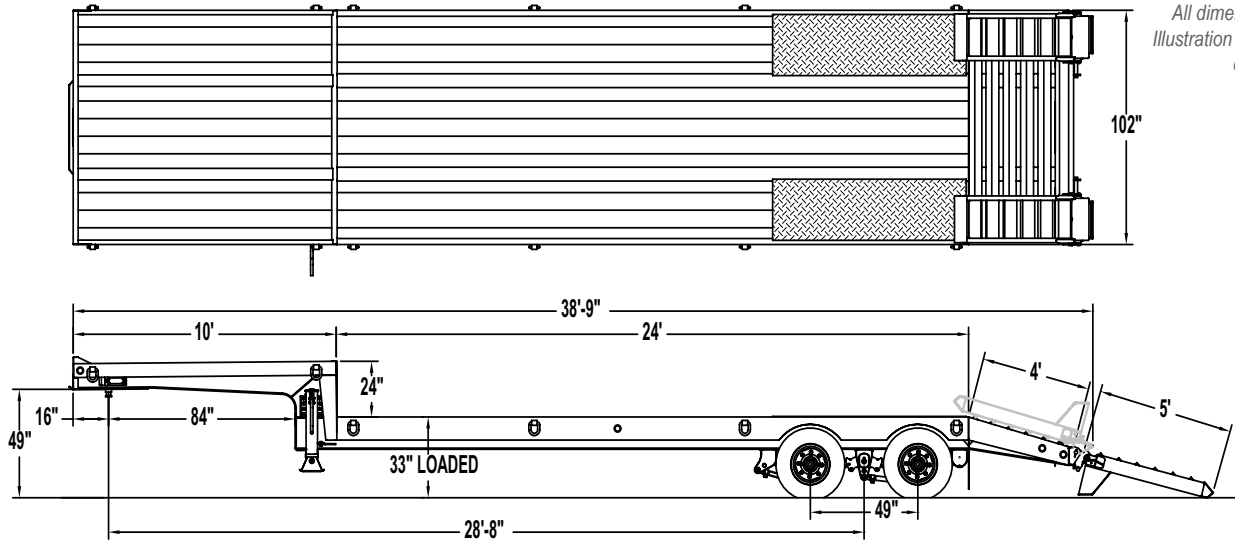
Standard Features

- Limited Lifetime Frame Warranty
- One-Year full Warranty
- Weatherproof registration holder
- Two-component polyurethane primer and paint
- Trailer color: Equipment Black
- Ramp color: Equipment Red

Weights and capacities vary depending upon options. Published weights are reference only.

GAWR (lbs)	GVWR (lbs)	Weight (lbs)	Capacity (lbs)	Deck Width (in)	Deck Length (ft)	MSRP
45,000	61,300	11,300	50,000	102"	24'	\$32,125

Subject to F.E.T. – deduct \$12.33 per tire
Other options may be available. Ask your dealer or visit our website.



All dimensions are nominal.
Illustration may be shown with
optional equipment.

Standard Features

Hitch/Tongue

- 2" king pin hitch
- 10'-0" Rigid Gooseneck
- 2" nominal white oak decking
- D-ring tie downs (2 per side)
- (2) 25K bolt-on two-speed parking jacks

Frame/Deck

- 24 ft. deck length
- 102" load width
- 32.5" deck height (fully loaded)
- 14" cambered I-beam main frame (pierced)
- 6" I-beam crossmembers
- 2" nominal white oak wood deck
- D-ring tie-downs (6 per side)

Ramps/Tail

- 4 ft. steel angle-iron beavertail (14°)
- 21" x 5'-0" channel sides, cleated ladder style
- Two-way spring-assist ramps

Axles/Suspension

- Hutchens 9700 Adjustable susp.
- (2) 22,500 lb. axles (8 wheels)
- Tires - 235/75R17.5, load range H, 16-ply
- 17.5" wheels, 8-bolt, hub piloted
- Air brakes (12.25x7.5)
- Auto slack Adjustable
- Oil bath hubs

Lights/Wiring

- Rubber grommet mounted LED lights
- Sealed modular wiring

Standard Features

- Limited Lifetime Frame Warranty
- One-Year full Warranty
- Weatherproof registration holder
- Two-component polyurethane primer and paint
- Trailer color: Equipment Black
- Ramp color: Equipment Red]

Weights and capacities vary depending upon options. Published weights are reference only.

GAWR (lbs)	GVWR (lbs)	Weight (lbs)	Capacity (lbs)	Deck Width (in)	Deck Length (ft)	MSRP
45,000	82,840	12,840	70,000	102"	24'	\$39,925

Subject to F.E.T. – deduct \$23.67 per tire
Other options may be available. Ask your dealer or visit our website.

Listed GVWR, weights and dimensions are for reference only. Manufacturer reserves the right to change models and specifications as they see fit. See our web site or your local authorized dealer for more information.

bigtow.com
866-397-8281
©Big Tow - 0121

B-25RG / B-35RG OPTIONS

Description	B-25RG	B-35RG	MSRP
TONGUE / HITCH			
30-degree sloped gooseneck	•	•	\$1,875
Double slope gooseneck	•	•	\$2,995
Integrated dual storage trays with lids	•	•	\$495
MAIN DECK			
Additional deck length (up to 34 ft. total deck length), priced per foot-call for additional	•	•	\$480
Additional D-rings/bent drings or stake pockets (each)	•	•	\$35
Recessed D rings or recessed stake pockets (each)	•	•	\$65
Rub rail with stake pockets in lieu of D-rings (per foot of deck length)	•	•	\$50
12K Electric winch (includes 125 ft. x 3/8" cable, corded remote, wiring to rear of truck)	•	•	\$2,690
Battery Kit w/charger for bifold ramp or electric over hydraulic ramp (installed)	•	•	\$595
Battery Kit w/charger for winch (installed)	•	•	\$595
Apitong wood deck (per linear foot)	•	•	\$68
Sliding winch track (per foot) – curb side standard	•	•	\$50
Sliding winch, 4" for winch track (each)	•	•	\$45
Winch for cargo straps (each - P/N 37-2023) – welded on, curb side standard, 4"	•	•	\$55
4" x 30 ft. cargo straps with flat hook (each)	•	•	\$48
SUSPENSION			
Sensors on 2 axles (4S/2M)	•	•	\$690
25K axle upgrade (per axle)	•	•	\$225
Additional 22.5K Spring Axle	•	•	\$6,910
Additional 22.5K Air Ride	•	•	\$8,950
Air Ride Suspension, 22.5K (includes dump valve), raises deck height 1.5"	•	•	\$3,400
Spare tire mounting bracket, mounted on gooseneck	•	•	\$165
Underbody spare tire mount lockable	•	•	\$265
Spare tire and wheel, 215/75R17.5, load range H	•	•	\$525
22.5 wheel/brake option (includes 255/70R22.5 tire, 10-bolt wheels, 16.5x7 air brakes)		•	\$1,430
Tire upgrade, 235/75R17.5 (ea)	•		\$55
RAMPS			
Wood filled beavertail in lieu of angle iron	•	•	\$185
5-foot angle-iron beavertail		•	\$395
6-foot angle-iron beavertail	•	•	\$465
Double-Break Beavertail (7'-6") with 6-foot spring-assist ramps (clete)	•	•	\$875
Double-Break Beavertail (7'-6") with 6-foot spring-assist ramps (wood filled)	•	•	\$1,060
Bucket well in beavertail	•	•	\$660
Third ramp	•	•	\$555
Wedge Syle Cleted (per ramp)	•	•	\$250
6-foot steel cleted ramps	•	•	\$175
6-foot wood filled ramps	•	•	\$320
5 ft. wood filled ramps in lieu of angle iron	•	•	\$180
6'-0" aluminum ramps to load top deck (17-degree load angle)	•	•	\$1,525
Upper deck ramp storage for aluminum ramps (under top deck)	•	•	\$395
6'x36", Air operated steel cleat or wood top (Min deck length 24')	•	•	\$3,415
6'x36" Electric over Hydraulic steel cleat or wood top (Min deck length 24')	•	•	\$3,890
6'x48" Air operated Ramps, steel cleat or wood top (Min deck length 24')	•	•	\$3,925
6'x48" Electric over Hydraulic steel cleat or wood top (Min deck length 24')	•	•	\$4,400

B-25RG / B-35RG OPTIONS

Description	B-25RG	B-35RG	MSRP
RAMPS			
7'x36" Air operated steel cleat or wood top (Min deck length 24')	•	•	\$4,425
7'x36" Electric over Hydraulic steel cleat or wood top (Min deck length 24')	•	•	\$4,900
7'x48" Electric over Hydraulic steel cleat or wood top (Min deck length 24')	•	•	\$5,200
8'x36" Electric over Hydraulic steel cleat or wood top (Min deck length 26')	•	•	\$5,500
8'x48" Electric over Hydraulic steel cleat or wood top (Min deck length 26')	•	•	\$5,995
Bi-fold ramps, elec-over-hyd, 11' at 9°, includes 6' at 8° wood filled beavertail (26' min. deck length required)	•	•	\$8,890
OTHER			
Special color (no metallic) – color match only – ramps painted to match	•	•	CALL
Trailer Steps	•	•	\$116
2 chock blocks and holder mounted curb side under deck ahead of wheels	•	•	\$220
Galvanizing	•	•	CALL
Trailer color options: Construction Yellow, Equipment Red, Equipment Blue, Equipment Charcoal	•	•	N/C
Change ramp color to black	•	•	N/C
Change ramp color to yellow, blue, charcoal	•	•	N/C



Big Tow
61381 US Hwy 12
Litchfield, MN 55355

Phone: 320-693-7900
Toll Free: 866-397-8481
Fax: 320-693-7921

Parts Department
Phone: 320-593-4595
Toll Free: 866-239-2221

Shipping Department
Phone: 320-593-4554
Toll Free: 800-642-0742
Fax: 320-693-2047

bigtow.com