

THE EDUCATIONAL SERVICES COMMISSION OF NEW JERSEY

HEAVY DUTY 2-POST LIFT

FREEDOMLIFT

The superior, flexible 2-post lift offering optimal workshop space and efficiency. Capacities: 16,000 lbs / 20,000 lbs / 26,000 lbs / 30,000 lbs

ster^{ti}l[®] K^{ON}I

FREEDOMLIFT



STERIL
SUPERIOR SOLUTIONS

Superior Solutions



Stertil-Koni provides customized and technically advanced solutions for heavy-duty lifting requirements for customers throughout the world, including the best possible service from skilled local partners. These superior solutions are conceived, developed and implemented by a team of professional specialists with unique expertise. Thanks to the quality of its people, its entirely in-house production and its international organization, Stertil-Koni is the world's number one in heavy-duty vehicle lifting.



Unique in flexibility and freedom of movement

Due to its unrivalled flexibility, the 2-post FREEDOMLIFT provides a superior solution for lifting a wide variety of vehicles from large commercial vans to smaller, heavy-duty vehicles, such as utility vehicles, pick-up trucks and para-transit vehicles.



The concept of the FREEDOMLIFT is ingenious and simple. The telescopic support arms allow the 2-post lift to easily and quickly be adjusted. Maximum flexibility is provided by FREEDOMLIFT models with double telescopic arms. The FREEDOMLIFT's modern design has resulted in a very stable 2-post lift without a base and an absence of any rigid overhead cross-bar. This means that the FREEDOMLIFT can be fitted in almost any workshop. As a result, the mechanic has unobstructed, optimal access to the raised vehicle.

THE EDUCATIONAL SERVICES COMMISSION OF NEW JERSEY

Stertil-Koni 2-Post FREEDOMLIFT



Four models with lifting capacities of up to 30,000 lbs

The FREEDOMLIFT range consists of four models with capacities from 16,000 lbs up to 30,000 lbs.

Various arm configurations are possible.

- SK 2.16: max. lifting capacity 16,000 lbs
- SK 2.20: max. lifting capacity 20,000 lbs
- SK 2.26: max. lifting capacity 26,000 lbs
- SK 2.30: max. lifting capacity 30,000 lbs

THE EDUCATIONAL SERVICES COMMISSION OF NEW JERSEY



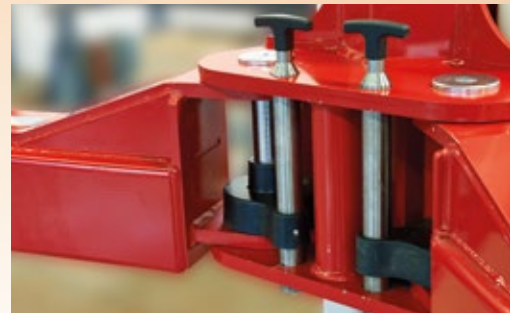
Stability by means of sophisticated design

The FREEDOMLIFT's stability and safety has been enhanced by innovative design with sophisticated construction and intelligent technology. The 2-post lift and lifting arms are streamlined and strong at the same time. Multiple automatic features - both mechanical and hydraulic - ensure maximum safety:

- Intelligent synchronization by means of proportional control valves
- Independent mechanical locking system engages at 8" above floor level
- Locking pawl engaged by gravity
- Locking system is always active even when the 2-post lift is turned off
- Locking profile with locking increments of just 1 3/8"
- Automatic overload protection
- Automatic arm restraint
- Ergonomic design with no sharp edges
- Compact foot plates minimize the risk of tripping
- Automatic limiter when highest position is reached
- Hold-to-run buttons on the control panel

THE EDUCATIONAL SERVICES COMMISSION OF NEW JERSEY

Safety, Stability & Convenience



- Emergency switch on the control panel
- Advanced synchronization between the posts starts at a height difference of 9/16 of an inch
- Proportional hydraulic control valve system which provides for smooth operation
- All critical components, for example, hydraulic lines and electrical cables, are shielded in the posts and in over-head aluminum tubes

Automatic arm restraints

The FREEDOMLIFT models with single and double telescopic arms have automatic arm restraints for added working convenience and safety:

- Special arm-release handles on the single and double telescopic arms enable easy manual and precise positioning of the lifting arms when the arms are elevated from the floor and close to the pick-up points**
- The automatic arm restraint system is reliable and requires low maintenance

**does not apply to SK 2.16EFA

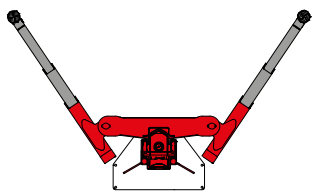


Extended Flex Arms (EFA)

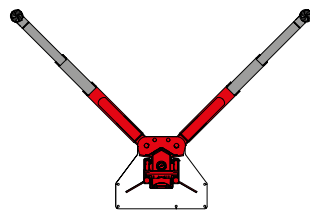
The SK 2.16EFA offers maximum flexibility due to its double telescopic arms and hinged elbow joints, making it well suited for passenger cars and larger commercial vehicles.

Extensively tested & reliable

The FREEDOMLIFT's hydraulic system has a minimum of moving parts and has undergone 20,000 lifting cycles at full rated capacity. These test results guarantee longevity and safe use in the workshop.



SK 2.16EFA



SK 2.16

All FREEDOMLIFT models are approved by official inspection authorities:

- CE certified (Europe)
- ANSI/ALI-ALCTV certified (USA)
- CSA certified (Canada)

THE EDUCATIONAL SERVICES COMMISSION OF NEW JERSEY

Flexible and Efficient



Efficient

- Short lifting and lowering times
- Quick and easy installation with an adjustable width for almost any standard workshop floor

Single and double telescopic lifting arms

The FREEDOMLIFT is available with single and double telescopic lifting arms or a combination of both, as well as the extended flexible arm version (EFA).

THE EDUCATIONAL SERVICES COMMISSION OF NEW JERSEY



Good return on investment

The FREEDOMLIFT is the new standard in flexibility, ergonomics, safety and reliability. Steril-Koni products are produced from high quality materials, resulting in low-maintenance costs throughout the lifetime of the lift.

Innovative sliding block system

The innovative sliding block system provides optimal load distribution. This state-of-the-art system is reliable and extremely durable and has been tested under maximum load with more than 20,000 lifting cycles.

THE EDUCATIONAL SERVICES COMMISSION OF NEW JERSEY

Durable & Solid



Options

- Strong, durable, energy-efficient LED lighting, two tubes per post
- Second control box for convenient operation of the lift at both posts
- Underfloor connection kit
- A wide range of adaptors are available for a variety of vehicle brands and models
- Magnetic tool tray which attaches to the arms of the lift

Features Benefits



Ergonomic control panel

The specially designed FREEDOMLIFT control panel allows for ergonomic operation and is equipped with an integrated switch for the optional LED lighting.

Reliable Electro-hydraulic system

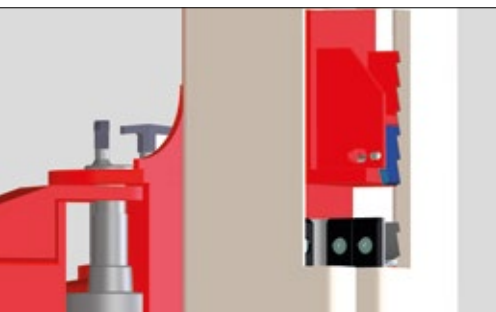
The hydraulic cylinders are extensively tested and mounted in the posts so they are fully protected from dirt and moisture.

Convenient installation

Installation of the FREEDOMLIFT is easy and quick due to the short height of the posts and the minimal design of the post base plates.

Safety is priority # 1

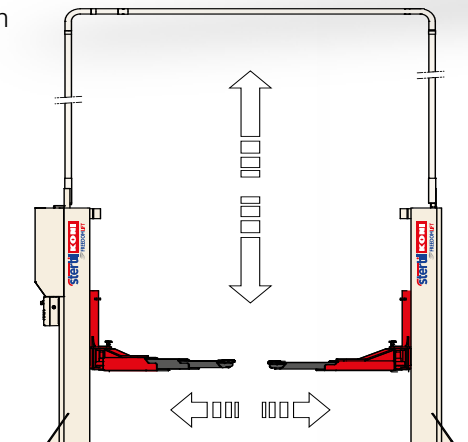
- Independently mechanical locking system engages at 8" above floor level with locking increments of just 1 3/8"
- Locking pawl engaged by gravity
- Advanced synchronization between the posts starts at a height difference of 9/16"
- Automatic overload protection



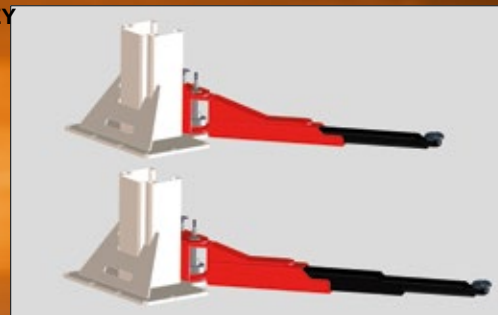
Flexible with ample working space

The robust FREEDOMLIFT 2-post lift is efficiently designed with a clear floor concept with no threshold or rigid top beam.

The overhead aluminum tube (see diagram) is only for the protection of the hydraulic lines and electrical cables.



and efits



Single and double telescopic lifting arms

FREEDOMLIFT SK 2.20, SK 2.26 and SK 2.30 are available with single and double telescopic lifting arms or a combination of both. The FREEDOMLIFT SK 2.16 model is available with long telescopic lifting arms or wide-positioned, double telescopic lifting arms (EFA).



Easy to adjust

The FREEDOMLIFT is constructed with integrated sliding plates in the arms to assure easy adjustment of the arms. Manual adjusting and unlocking of the arms is possible by using the special arm release handles**.



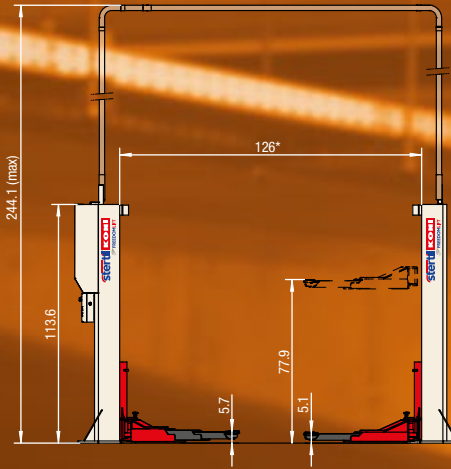
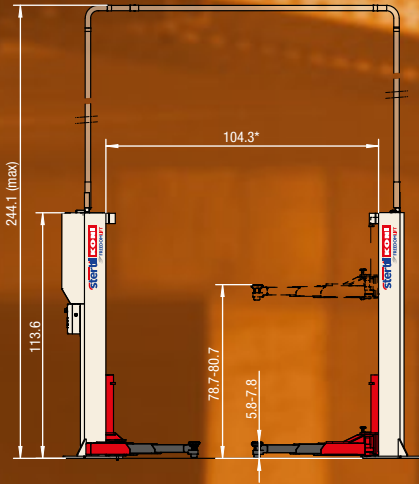
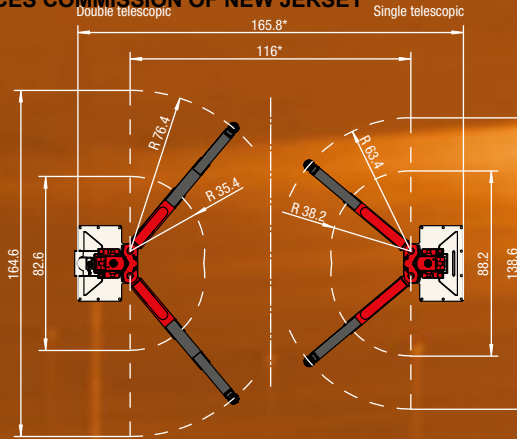
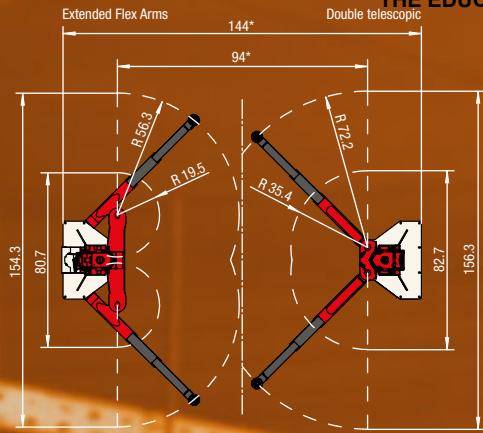
Optional special adaptors

Optional stackable attachments and special adaptors are available for a variety of commercial vehicles, including: Mercedes Sprinter, Volkswagen Crafter, Renault Mascot and others. Please contact your local sales team for the full range of adaptors.

Sliding block system

The FREEDOMLIFT's state-of-the-art sliding block system optimally distributes the load throughout the 2-post construction.

THE EDUCATIONAL SERVICES COMMISSION OF NEW JERSEY



SK 2.16EFA

SK 2.16

SK 2.20-SK 2.26-SK 2.30

*Flexible dimensions

Specifications	SK 2.16EFA	SK 2.16	SK 2.20-22	SK 2.20-33	SK 2.26-22	SK 2.26-33	SK 2.30-22	SK 2.30-33
Lifting capacity	16,000 lbs	16,000 lbs	20,000 lbs	20,000 lbs	26,000 lbs	26,000 lbs	30,000 lbs	30,000 lbs
Lifting height	80.7	80.6	77.9	78.5	77.9	78.5	77.9	78.5
Pick up height	5.9	5.8	5.1	5.7	5.1	5.7	5.1	5.7
Min. single telescopic arm length	n.a.	n.a.	38.2	n.a.	38.2	n.a.	38.2	n.a.
Max. single telescopic arm length	n.a.	n.a.	63.4	n.a.	63.4	n.a.	63.4	n.a.
Min. double telescopic arm length	19.5	35.4	n.a.	35.4	n.a.	35.4	n.a.	35.4
Max. double telescopic arm length	56.3	77.2	n.a.	76.4	n.a.	76.4	n.a.	76.4
Lifting time	58 sec	58 sec	58 sec	58 sec	95 sec	95 sec	95 sec	95 sec
Power output	5 hp	5 hp	5 hp	5 hp	5 hp	5 hp	5 hp	5 hp

More information?

For more information about the FREEDOMLIFT or any other of the products in the Stertil-Koni range, please do not hesitate to contact us directly or via the website. We are happy to advise and assist you on all of your heavy lifting requirements.



Stertil-Koni U.S.A. Inc.
 200 Log Canoe Circle
 Stevensville, Maryland 21666
 Tel. 410-643-9001
 Toll free 800-336-6637
 Fax 410-643-8901
 www.stertil-koni.com
 lifts@stertil-koni.com
 f StertilKoniUSA
 @StertilKoniUSA



a member of the Stertil Group

95003906 FREEDOMLIFT USA 11-2017. Stertil is a registered trademark of Stertil B.V.. We reserve the right to make changes in specifications without notice and without making changes retroactive.