

Date May 25, 2018

FEATURES
6,200 LB TRUE
DUMP CAP
POWDERCOAT PAINT
3 YR WARRANTY

MAGNUM Dealer Price Sheet

TC-101 PICKUP DUMP INSERT (6.5' or 8')

LIST PRICE \$4,217.00

TC-101 P/N

D1-05242 (WT 632)

“
“
“

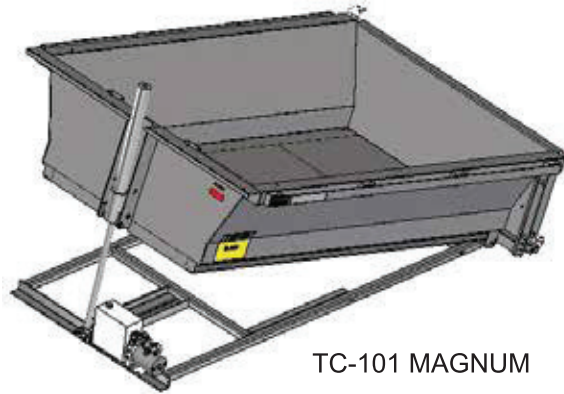
D1-05512 (WT 558) **SHORTBED MODEL** Requires min. 49" between wheel wells

Same Price

OK to mix and match Full size & Short bed TC-101's for qty discount.

Two bolt installation hardware kit included with each insert.

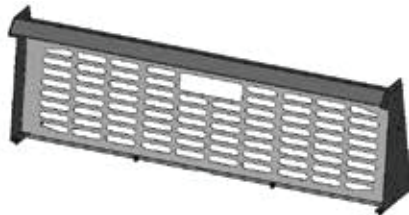
No height spacer required.



TC-101 MAGNUM

Optional Equipment: All Required Installation Hardware Included with Options

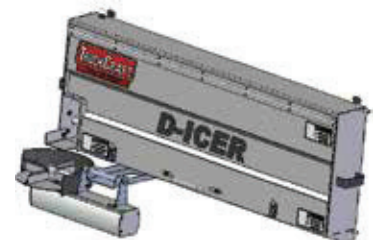
P/N	ITEM	LIST PRICE
D2-05323	Cab Guard	\$ 507.00 Ea
B2-00636	Roll-up Tarp Kit	\$ 267.00 Ea
B2-01497	Quick Disc Pwr Cord	\$ 66.00 Ea
D1-05581	Orion II Bulkhd (Alum)	\$ 618.00 Ea



Cab Guard



Roll-up Tarp Kit



TC-131

#1



MAGNUM Dealer Price Sheet

TC-101 PICKUP DUMP INSERT (6.5' or 8')

Crating: (For common carrier van shipment only. Flatbed, step-deck or customer trailer does not require crating.)

1 unit ----- \$ 95.00 Net
2 or 3 units ----- \$128.00 Net

F.O.B. TruckCraft factory - Chambersburg, PA

Terms: 1.5% - 10, Net 30

Warranty: TruckCraft TC-101 **MAGNUM** & TC-121 **ULTRA**'s are warranted for a period of 3 full years against defects in materials and workmanship.

Important - The truck, dumper and payload should not exceed the gross vehicle weight rating, or the axle ratings of the truck. These ratings can normally be found on the driver's side doorframe.

***Discount level** is cumulative during calendar year. I.E., Order 3 TC-101's now @ 3pc price -- Order 2 later, receive 5pc price, and so forth throughout calendar year. Sorry, no mix & match with Aluminum Ultras for discount levels.



Date May 25, 2018

TOP FEATURES
7,000 LB DUMP CAP'Y
CIRCUIT BREAKER
3 YR WARRANTY
3-1/4" FLOOR HEIGHT
478 LB WEIGHT

ULTRA & ULTRA SHORTY

Dealer Price Sheet

TC-121 & TC-121S ALUMINUM DUMPERS

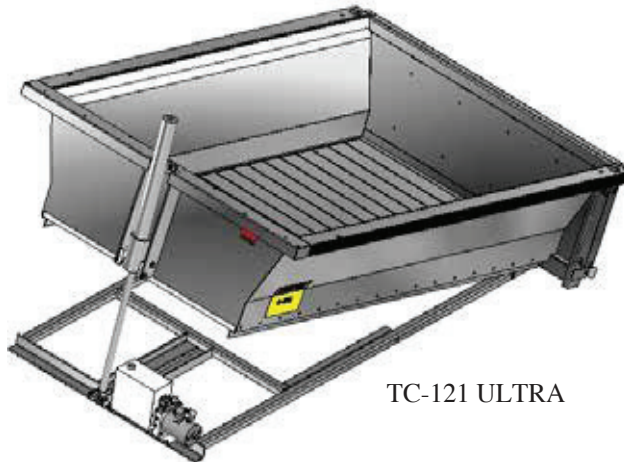
TC-121 & TC-121S supercedes TC-120 & TC-120S

LIST PRICE \$6,007.00

P/N

D1-05330TC-121**

D1-05587TC-121S** – All SHORTY pricing same as TC-121 *ULTRA* – mix & match for discount



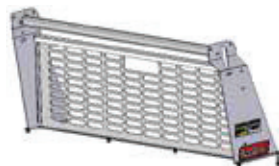
TC-121 ULTRA

Optional Equipment:

P/N	ITEM	LIST PRICE
D2-05357	* Slipstream Cab Guard	\$662.00 Ea.
D1-05581	ORION II Blkhd(29.5"h)	\$618.00 Ea.
B2-00636	Roll-up Tarp Kit	\$267.00 Ea.
B2-00692	Quick-Cover	\$ 93.00 Ea.



SLIPSTREAM
Cab Guard



ORION Bulkhead



Roll-up Tarp Kit



QUICK-COVER
WINDOW COVER



Optional Equipment:

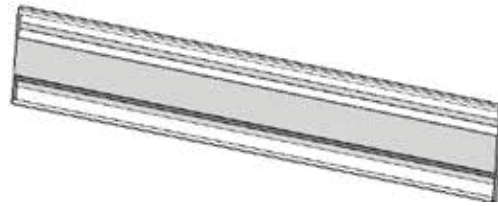
P/N	ITEM	LIST	
C2-01803	Swingaway Sideboard Mount Kit	\$ 304.00	Ea
L7-00780	Aluma-Boards	\$ 684.00	Pr.
B2-01497	Quick Disc Pwr Cord	\$ 66.00	Ea.
D1-05387	TC-131 D-ICER	\$5,777.00	Ea.
DEDUCT	Delete Power Unit, Batt Cable, Hyd. Hose		

SEE D-ICER DEALER PRICE SHEET

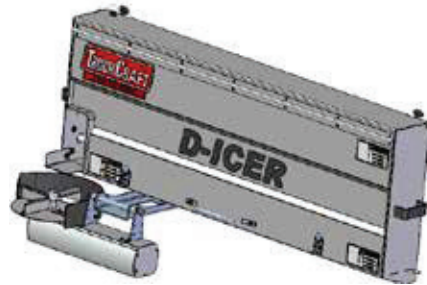
** SPACER KITS NO LONGER REQUIRED FOR TC-121 & 121S



Swingaway Sideboard Mount Kit



Aluma-Boards



TC-131

Crating: (For common carrier van shipment only. Flatbed, step-deck or customer trailer does not require crating.)	
1 unit -----	\$ 95.00
Net 2 or 3 units -----	\$128.00

F.O.B. TruckCraft factory - Chambersburg, PA

Net

Terms: 1.5% - 10, Net 30 with approved credit

Warranty: TruckCraft TC-101 **MAGNUM** & TC-121 **ULTRA**'s are warranted for a period of 3 full years against defects in materials and workmanship.

***WARNING – Do not** use Slipstream Cabguard with TC-121S Shorty. High winds may cause dumper to raise during driving. Use Orion Bulkhead II.

Important - The truck, dumper and payload should not exceed the gross vehicle weight rating, or the axle ratings of the truck. These ratings can normally be found on the driver's side doorframe.

****Discount level** is cumulative during calendar year. I.E., Order 3 TC-121's now @ 3pc price -- Order 2 later, receive 5pc price, and so forth throughout calendar year. Sorry, no mix & match with TC-101 **MAGNUM** for discount levels.

Date May 25, 2018

LEAF EXPRESS Dealer Price Sheet

TC-150 ALUMINUM LEAF BOX

List Price \$2,299.00

P/N

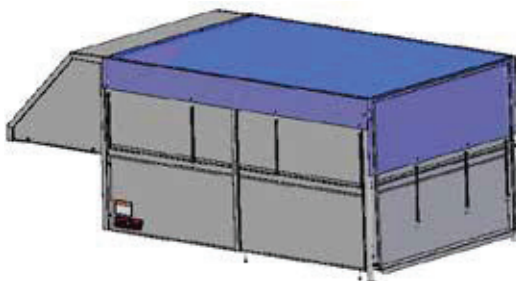
D2-03956 Hard Top no/gate

D2-03957 Tarp Top w/gate



STANDARD FEATURES - all LEAF EXPRESS KITS

- Kit fits directly on full-size (8') TC-121 ULTRA aluminum pickup dump – Some drilling required
- Holds ten cubic yards of leaves or grass
- Made of .090 thick, grade 5052 formed aluminum sheet
- Bolted assembly and installation requires approximately 4 hours
- Either kit includes pre-drilled panels & all required hardware. (Tarp top version only - mesh tarp, bungees)
- Removable, swing-out tailgate on mesh tarp version. Hardtop version includes no tailgate.
- Stainless steel corner tubes fit through existing holes in TC-121 rub-rail for rigid strength
- Ships flat on skid; TarpTop Assmd kit 220 lbs, Shpg 275 lbs; Solid Top Assmd kit 240 lbs, Shpg 295 lbs
- 134" L x 51" H x 66.25 W
- One year factory warranty



TC-150 Tarp Top w/gate



TC-150 Hard Top no/gate

Crating: *Included in price*

F.O.B. TruckCraft factory - Chambersburg, PA

Terms: 1.5% - 10, Net 30 with approved credit

Warranty: TruckCraft TC-150 - 1 year

Important - The truck, dump insert and payload should not exceed the gross vehicle weight rating or the axle ratings of the truck. These ratings can normally be found on the driver's side doorframe. Adding TC-150 to TC-121 requires use of a hold-down cable (supplied) to prevent possible lifting of unit during windy conditions or high-speed driving.

TRUCKCRAFT

5751 Molly Pitcher Highway South • Chambersburg, PA 17202
Toll Free 800-755-3867 • Fax 717-375-2975 • sales@truckcraft.com

Date May 25, 2018

D-ICER Dealer Price Sheet

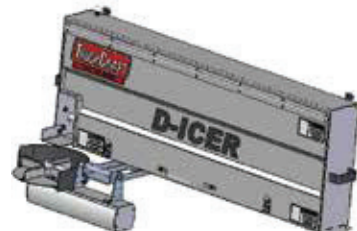
TC-130, 131, 140, 160 Material Spreaders

TC-130 & 131 D-ICER MATERIAL SPREADER for pickup inserts

TC-131 fits new, taller TC101 & TC121 Dump Inserts. TC-130 should be ordered for shorter, TC-100 & TC120 inserts
Includes mounting pins for TruckCraft TC-100/101, or TC-120/121 (If not specified, mounting pins come std for TC-120/121)

LIST PRICE \$5,777.00

MODEL P/N
TC-130 **D1-04438**
" "
TC-131 **D1-05387**



TC-140 D-ICER PLUS TAILGATE REPLACEMENT SPREADER for one-ton dumps

Includes universal mounting frame and self-leveling spinner for all one-ton contractor dump bodies

LIST PRICE \$7,052.00

MODEL P/N
TC-140 **D1-04431**
" "

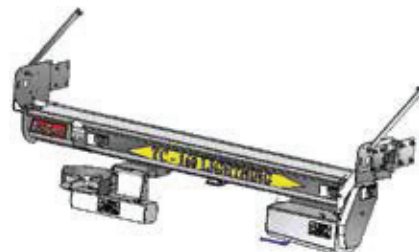


TC-160 D-ICER LIGHTNING UNDERTAILGATE SPREADER for one-tons

Includes universal mounting brackets for one-ton contractor dump bodies;
Specify 96" or 88" wide unit - Same -Price

LIST PRICE \$7,160.00

MODEL P/N
TC-160 **D1-04394** 96" Wide
" "



P/N ITEM
D1-04583 TC-160 SHOWROOM DISPLAY STAND
D2-05388 Pins to mount TC-131 to TC-101 1 Unit



Controller-Typ.
All D-ICERS

Charge refunded when standard pins returned to factory
(Provide overall TC-100 tailgate width, not including pins, when ordering)

Hydraulic Drive Motors Not Available

Crating: (for van common carrier shipment) TC-130, 131, 140, 160 D-ICERS
1-3 pcs on one skid ----- \$ 48.00 Net

F.O.B. TruckCraft factory, Chambersburg, PA **Terms:** 1.5% - 10, Net 30 with approved credit

Warranty: TruckCraft TC-101 **PRO** & TC-121 **ULTRA's** are warranted for a period of 3 full years against defects in materials and workmanship.
TC-130, 131, 140, 160 **D-ICERS** - 2 years, excluding wear parts.



Date May 25, 2018

Dealer Price Sheet TC-202 ULTRA COMBO ALUMINUM SERVICE/DUMP KIT For 56" C.A. (pickup)

Est. MSRP installed on cust chassis, including TC-121 - SRW \$13,650.00*

ULTRA COMBO KITS

* DEALER PRCS MAY VARY

P/N	ITEM	Model	KIT WEIGHT
D1-08508	SRW COMBO	Ford 2017 only	1,045 lbs
D1-08241	SRW COMBO	Ford Pre 2017	1,045 lbs
D1-08345	SRW COMBO KIT	GM-56" CA	1,045 lbs
D1-08339	SRW COMBO KIT	Dodge-56" CA	1,045 lbs

Mounting Hardware designed for late model pickups only-consult factory for pre-2015 models.

Kit includes:

Side compartments with fuel fill opening cut out, fuel fill bezel loose; Bumper Assy
 LED FMVSS S.T.T., & B.U. lights with inside compartment protectors
 Factory installed wiring harness; Mounting frame - steel
 All required attaching hardware – stainless steel

Kit does not include:

Fuel-fill hose kit



Installation estimate: 5-7 hours including TC-121 aluminum insert. Drilling required.

Crating: (For common carrier van shipment only. Flatbed, step-deck or customer trailer does not require crating.)
Per unit -----\$ 128.00 Net

F.O.B. TruckCraft factory - Chambersburg, PA

Terms: 1.5% - 10, Net 30 with approved credit

Warranty: TruckCraft Dump Inserts are warranted for three years against defects in materials and workmanship, TC-200 ULTRACOMBO boxes/frame kit one year.

WARNING - The truck, dumper and payload should not exceed the gross vehicle weight rating, or the axle ratings of the truck. These ratings can normally be found on the driver's side doorframe.



Date May 25, 2018

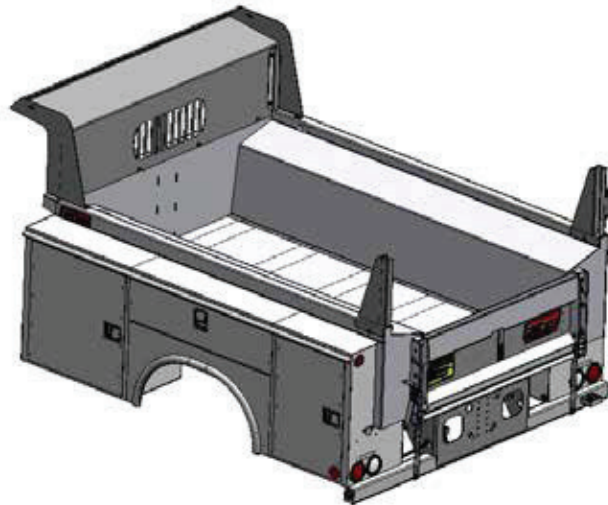
Dealer Price Sheet

TC-300 COMBINATION SERVICE/DUMPER

P/N	Truck C.A.	Floor Width	Inside Body Length	Inside Body Depth	Inside Body Capacity	Storage Cabinet Capacity	Weight	List Price
-----	---------------	----------------	--------------------------	-------------------------	----------------------------	--------------------------------	--------	---------------

Standard Features:

- 10 Ga, A-60 Galvanneal dump body
- Factory wiring harness
- Hoist & base frame primed & painted
- Pre-assembled body, hoist, base frame
- 3 Stage chromed telescopic cylinder
- Bucher® electro-hydraulic power unit mounted in cabinet
- Multiple height pintle hook location*
- 2 Trailer plug mounting loc's provided
- Safety chain keyslots
- Step & handhold for easy bed entry
- Outboard-operated safety prop
- "Dump Bed Raised" dash light
- Removable 18" rear corner standards
- Storage cabinets pre-drilled for mounting
- Stone shields on cabinet fronts
- Tailgate opens top or bottom
- LED S.T.T., clearance, marker & ID lights
- Bolt on Cab guard with laser-cut window
- Cab guard pre-drilled for roll-up tarp



- 12" Cab guard shelf, stores optional tarp
- Premium galvanneal side compartments w/ shelves & rubber bulb-type door seals
- Single handle top-drop tailgate operation

Optional Equipment:

B2-01307 Roll-up Tarp Assembly

6'-8" x 11'-0" asphalt lumite mesh tarp (can be used with hot asphalt). Tarp has grommets on each side and a batten board at the end with pull rope. Tarp stores on a crank & roller assy complete with bearings and driver-side crank handle.

List Price \$297.00



Roll-up Tarp

D2-01589 Quick-Latch Single handle operation of lower tailgate latches.

List Price \$229.00

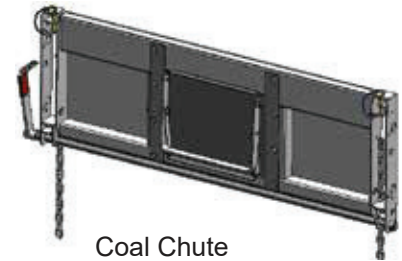


Quick-Latch

WARRANTY --1 YR - DUMP BODY; 5 YRS COMPARTMENTS



C2-02584 Coal Chute Has bail handle operation; Deletes single handle top tailgate release; Includes Quick-Latch to release bottom tailgate pins with a single handle.
List Price \$761.00

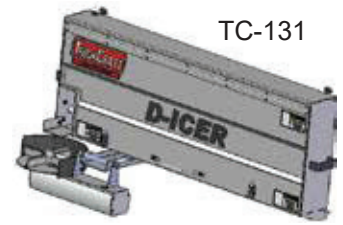


Coal Chute

A4-01340 Extra "D" Rings-Welded (Two at front of bed are standard).
List Price \$32.00 Ea.

D3-03393 Tall Cabguard for GM C4500
List Price Add \$328.00

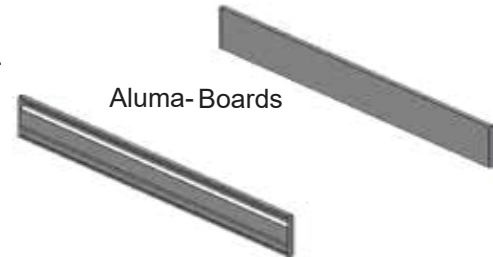
D1-05387 TC-131 D-ICER 10,000 lb/hr Salt Spreader; Tailgate replacement style; Electric; Aluminum & stainless construction; Mounting bracket required (see below). **Price See TC-131 Prc Sht**



TC-131

D2-06213 D-ICER Mounting Brkts (300) *D-ICER* quickly bolts on & off. **List Price \$325.00 Set**

C1-02973 Aluma-Boards Brushed alum. sideboards, 18" high, rugged but nice.
List Price \$843.00



Aluma-Boards

TC-300 WTY - 1 YR BODY - 5 YR SIDE PAKS

*Note: **TC-300** Bumper/Pintle Mount Rating: 3,000 lbs Vert, 16,000 lbs Gross Trlr Wt

Deletions Available:

Electro/Hydraulic Power Unit ----- Delete power unit, hydraulic hose, battery cable -----	Deduct (\$ 417.00)
Side Compartments - 9' -----	Deduct (\$2,622.00)
Cabguard -----	Deduct (\$ 291.00)

Notes:

TC-300 (9 ft. body) is recommended for use on chassis with GVWR of 15,000 to 19,000.
 Bed volume capacities stated are without sideboards.
 Payload capacity is dependent on the chassis GVWR and the empty vehicle weight.

Date May 25, 2018

Dealer Price Sheet

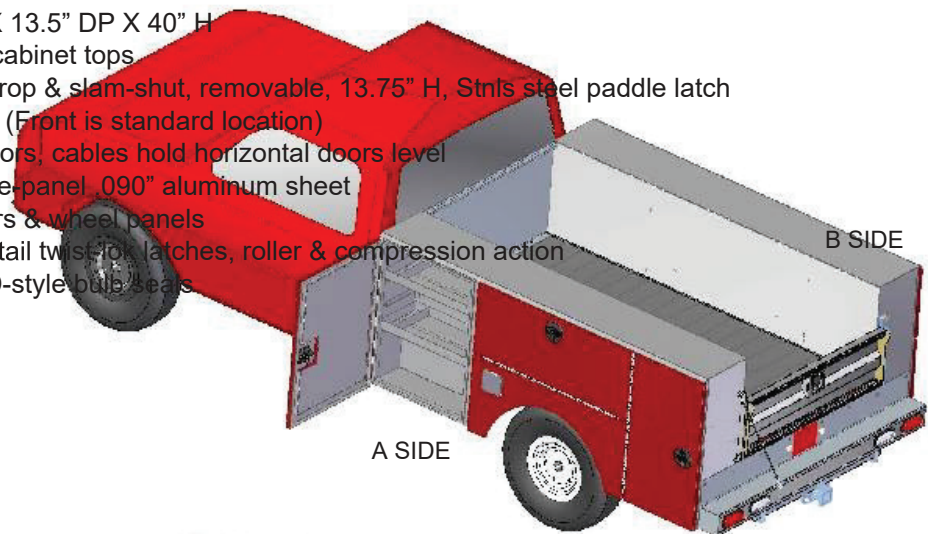
TC-250 LANCER ALUMINUM SERVICE BODY

For SRW BOX-DELETE PICKUPS

<u>PIN</u>	<u>MSRP</u>
D1-07795(was D1-06968)-TC-250 SRW, 56" CA, PDR CT WHT, A-B CONFIG -----	\$7,386.
D1-07796 -TC-250 SRW, 56" CA, PDR CT WHT, A-A CONFIG -----	\$7,386.

STANDARD FEATURES

- 6061 T-6 alum floor, .090 alum sheet cabinets
- 21.4 Cu Ft Secure Storage
- Floor Dimensions 49"W X 97"L
- Compartment dims 98"L X 13.5" DP X 40" H
- 1/8" Thick diamond plate cabinet tops
- Tailgate—One hand top-drop & slam-shut, removable, 13.75" H, Stnls steel paddle latch
- One fuel opening & bezel (Front is standard location)
- Gas springs on vertical doors, cables hold horizontal doors level
- Door construction—Double-panel .090" aluminum sheet
- White powder coated doors & wheel panels
- Black and Chrome whale-tail twist lock latches, roller & compression action
- Door seals—automotive D-style bulb seals
- Fender Flares
- 5 YR WTY
- Select bumper below
- 628 Lbs
- 80" Wide



<u>OPTIONS</u>	<u>MSRP</u>
Automotive Match Paint-----Z1 Ford White-----	\$2,033.00
(Special Colors by Quotation)	
Ford Bumper D2-07855 8" Bumper -----	\$474.00
Ford V-Notch Bumper D2-07803 11" Bumper -----	\$560.00
Ford V-Notch Bumper D2-08449 (2017 only) 11" Bumper-----	\$523.00
GM Bumper D2-07856 8" Bumper -----	\$482.00
GM V-Notch Bumper D2-07804 11" Bumper -----	\$504.00
GM 4 Point Mount Kit D2-07174 -----	\$202.00
RAM V-Notch Bumper D2-07805 11" Bumper -----	\$537.00
2nd Fuel Opng & Bezl-A4-03360 -----	\$51.00
Door Config AB(STD),BA,BB,AA—See P/N's above	N/C
D1-07906 Keyless Entry w/LED Strip Lighting -----	\$1,712.00

DELETES AVAILABLE

- NO COATING ON DOORS/WHEEL PANELS—(BARE ALUMINUM)-----DEDUCT—(\$210.00)



Date May 25, 2018

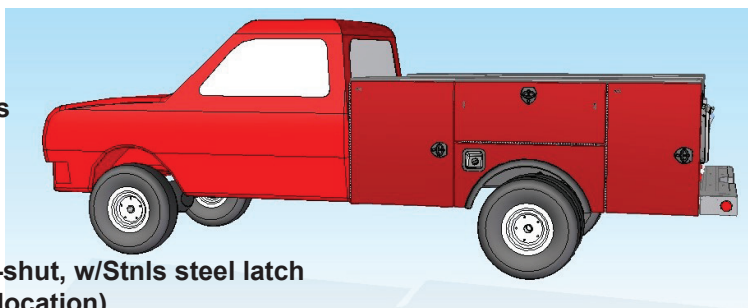
Dealer Price Sheet

TC-260 LANCER ALUMINUM SERVICE BODY For SRW 60" CA chassis-cabs

P/N		MSRP
D1-08613-	TC-260 LANCER SRW, 60" CA, PWDR CT WHT SIDES, A-A CONFIG -----	\$8,365
D1-08597-	TC-260 LANCER SRW, 60" CA, PWDR CT WHT SIDES, A-B CONFIG -----	\$8,365

STANDARD FEATURES

- 6061 T-6 alum floor, .090 alum sheet cabinets
- 22 Cu Ft Secure Storage
- Floor dimensions 49"W X 108"L
- Compartment dims 9'L X 13.5" DP X 40" H
- 1/8" Thick diamond plate cabinet tops
- Tailgate—13.75" H, One hand top-drop/slam-shut, w/Stnls steel latch
- One fuel opening & bezel (Rear is standard location)
- Gas springs on vertical doors, cables on horizontal doors
- Door construction—double-panel .090" aluminum sheet
- White powder coated doors & wheel panels std
- T-handle, black & chrome, twist-lok latches
- Door seals—automotive D-style bulb seals
- Black rubber fender flares
- 5 Yr Wty
- Select optional bumper below
- Weight—816 Lb



OPTIONS -----	MSRP
• Remote cabinet locks w/internal lights-----	\$1,784.00
• Automotive Match Paint-----Z1 Ford White ----- (Other Colors by Quotation)	\$2,033.00
• Ford V-Notch Bumper D2-07621 11" Bumper --- (58 Lbs)-----	\$ 617.00
• GM V-Notch Bumper _____ 11" Bumper --- (58 Lbs)-----	\$ 617.00
• RAM V-Notch Bumper _____ 11" Bumper --- (58 Lbs)-----	\$ 617.00
• A4-03360 2nd Fuel Bezel-----	\$ 51.00
• Door Config AB(STD),BA,BB,AA-----N/C	

DELETES AVAILABLE

- NO COATING ON DOORS/WHEEL PANELS---(BARE ALUMINUM)-----DEDUCT---(\$210.00)



Date May 25, 2018

Dealer Price Sheet

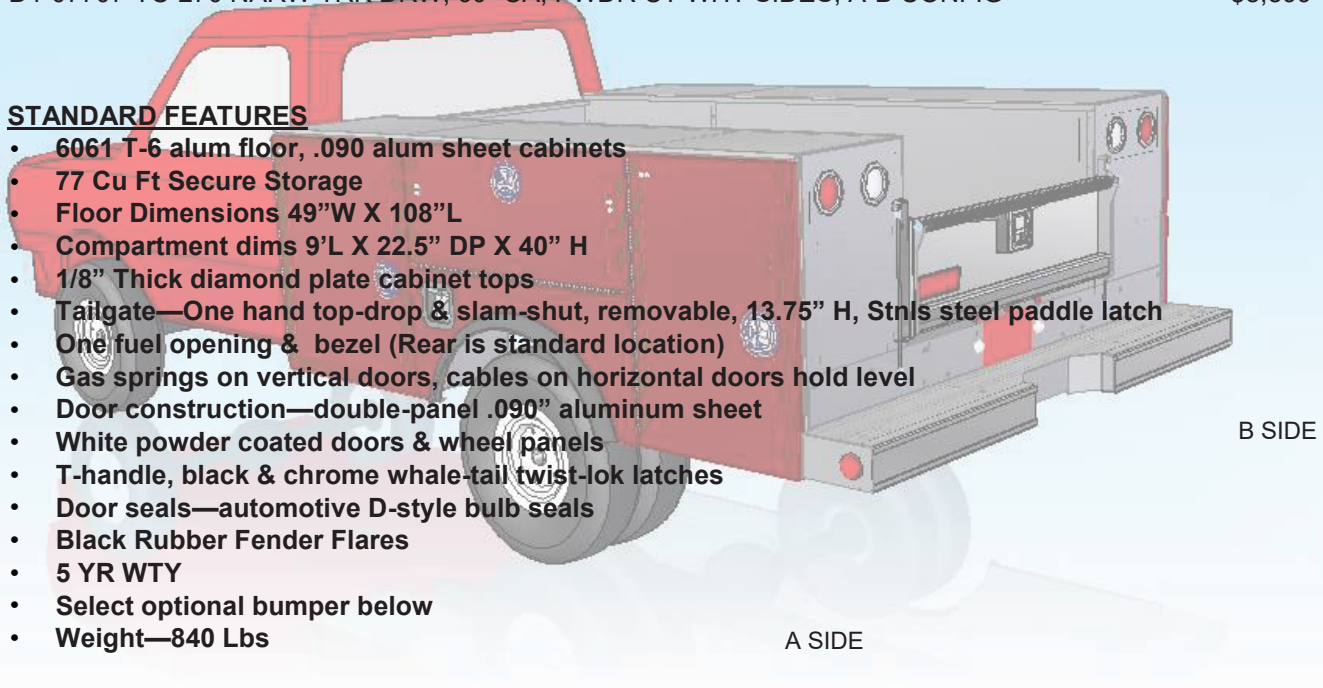
TC-265/270 LANCER ALUMINUM SERVICE BODY

9' For DRW 60" CA chassis-cabs

P/N	MSRP
D1-07599-TC-265 WIDE TRK DRW, 60" CA, PWDR CT WHT SIDES, A-B CONFIG	----- \$9,047
D1-07707-TC-270 NARW TRK DRW, 60" CA, PWDR CT WHT SIDES, A-B CONFIG	----- \$8,899

STANDARD FEATURES

- 6061 T-6 alum floor, .090 alum sheet cabinets
- 77 Cu Ft Secure Storage
- Floor Dimensions 49"W X 108"L
- Compartment dims 9'L X 22.5" DP X 40" H
- 1/8" Thick diamond plate cabinet tops
- Tailgate—One hand top-drop & slam-shut, removable, 13.75" H, Stnls steel paddle latch
- One fuel opening & bezel (Rear is standard location)
- Gas springs on vertical doors, cables on horizontal doors hold level
- Door construction—double-panel .090" aluminum sheet
- White powder coated doors & wheel panels
- T-handle, black & chrome whale-tail twist-lok latches
- Door seals—automotive D-style bulb seals
- Black Rubber Fender Flares
- 5 YR WTY
- Select optional bumper below
- Weight—840 Lbs



OPTIONS	MSRP
Automotive Match Paint—Z1 Ford White (Special Colors by Quotation)	----- \$2,033.00
2017 Ford V-Notch D2-08506	----- \$617.00
Ford V-Notch Bumper D2-07621 11" Bumper —(73 Lbs)	----- \$617.00
GM V-Notch Bumper D2-07622 11" Bumper —(75 Lbs)	----- \$562.00
RAM V-Notch Bumper D2-07623 11" Bumper —(75 Lbs)	----- \$594.00
A4-03360 2nd Fuel Bezel	----- \$ 51.00
Door Config AB(STD),BA,BB,AA	----- N/C
D1-07906 Keyless Entry w/LED Strip Lighting	----- \$1,784.00

DELETES AVAILABLE

- NO COATING ON DOORS/WHEEL PANELS—(BARE ALUMINUM)-----DEDUCT—(\$210.00)



Date May 25, 2018

ZEUS Dealer Price Sheet

TC-400 Series Aluminum Dump Bodies

For
Pickups
(DRW)

P/N				LIST PRICE
D1-04905	TC-410	96" X 9'-4"	Rigid Sides, Std. Ht, ¼ Cabguard	\$ 9,721.00
D1-04845	TC-410	96" X 9'-4"	Dropdown Sides, Std. Ht, ¼ Cabguard	\$11,700.00
10,400 lb hoist cap.; For 60" C.A. veh, 12,000 to 15,000 lb gvwr; 6" Longsill; 1.25" Floor Plank; 3-4YD Cap; Wt- 1450 lbs				
D1-06220	TC-415	96" X 8'-6"	Rigid Sides, Std. Ht, ¼ Cabguard	\$ 9,721.00
D1-06221	TC-415	96" X 8'-6"	Dropdown Sides, Std. Ht, ¼ Cabguard	\$11,700.00
10,400 lb hoist cap.; For 56" C.A. veh, 12,000 to 15,000 lb gvwr; 6" Longsill; 1.25" Floor Plank; 3-4YD Cap; Wt- 1450 lbs				

TC-420 designed for Ford Mounting -60" CA & 47.5" AF

D1-04826	TC-420	96" X 9'-4"	Dropdown Sides, Std. Ht, ¼ Cabguard	\$12,300.00
21,400 lb hoist cap.; For 60" C.A. veh, 14,000 to 19,000 lb gvwr; 7" I-Beam Longsill; 2.375" Floor Plank; 3-4YD Cap; Wt- 1690 lbs				

TC-420 designed for GM & Dodge Mounting -60" CA & 51" AF

D1-06284	TC-420	96" X 9'-4"	Rigid Sides, Std. Ht, ¼ Cabguard	\$10,323.00
D1-06285	TC-420	96" X 9'-4"	Dropdown Sides, Std. Ht, ¼ Cabguard	\$12,300.00
21,400 lb hoist cap.; For 60" C.A. veh, 14,000 to 19,000 lb gvwr; 7" I-Beam Longsill; 2.375" Floor Plank; 3-4YD Cap; Wt- 1690 lbs				

TC-430 designed for Ford Mounting -84" CA & 47.5" AF

D1-04907	TC-430	96" X 11'-0"	Rigid Sides, Std. Ht, ¼ Cabguard	\$11,267.00
D1-04852	TC-430	96" X 11'-0"	Dropdown Sides, Std. Ht, ¼ Cabguard	\$13,389.00
16,600 lb hoist cap.; For 84" C.A. veh, 14,000 to 19,000 lb gvwr; 7" I-Beam Longsill; 2.375" Floor Plank 4-5YD Cap; Wt- 1850 lbs				

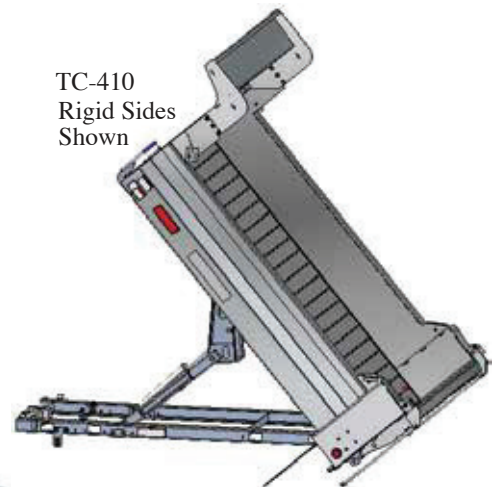
TC-435 designed for GM & Dodge Mounting -84" CA & 51" AF

D1-06113	TC-435	96" X 11'-5"	Rigid Sides, Std. Ht, ¼ Cabguard	\$11,693.00
D1-07454	TC-435	96" X 11'-5"	Drop Sides, Std. Ht, ¼ Cabguard	\$13,749.00
16,600 lb hoist cap.; For 84" C.A. veh, 14,000 to 19,000 lb gvwr; 7" I-Beam Longsill; 2.375" Floor Plank 4-5YD Cap; Wt- 1850 lbs				

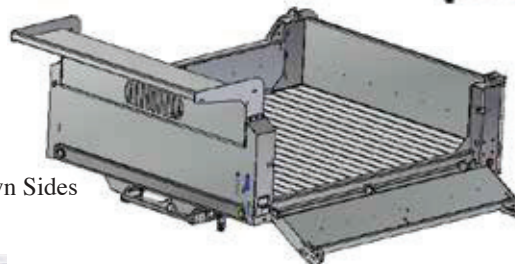
STANDARD FEATURES – ALL ZEUS MODELS

Standard Height cabguard has 53" clearance from top of frame to underside of cabguard. Optional Tall cabguard has 63" clearance from top of frame to underside of cabguard.
 Floor and Longsills Constructed of 6061-T6 Heat Treated Alloy Aluminum
 No Assembly Required
 No Painting Except Touch-up
 No Welding Required
 Monarch™ Double Acting Power Unit
 Battery Cables & Re-settable Circuit Breaker Installed
 Painted Shear Plates & Stainless Steel Hardware Included
 Side Ht 16.5"; Tailgate Ht 22.5" - Permanent or Drop sides
 50° Dump Angle
 LED Marker lights with harness installed
 "Body-up" Switch Installed
 Stainless Steel Hardware
 White TruckCraft Logo Mudflaps
 Two Year Factory Warranty

TC-410
Rigid Sides
Shown

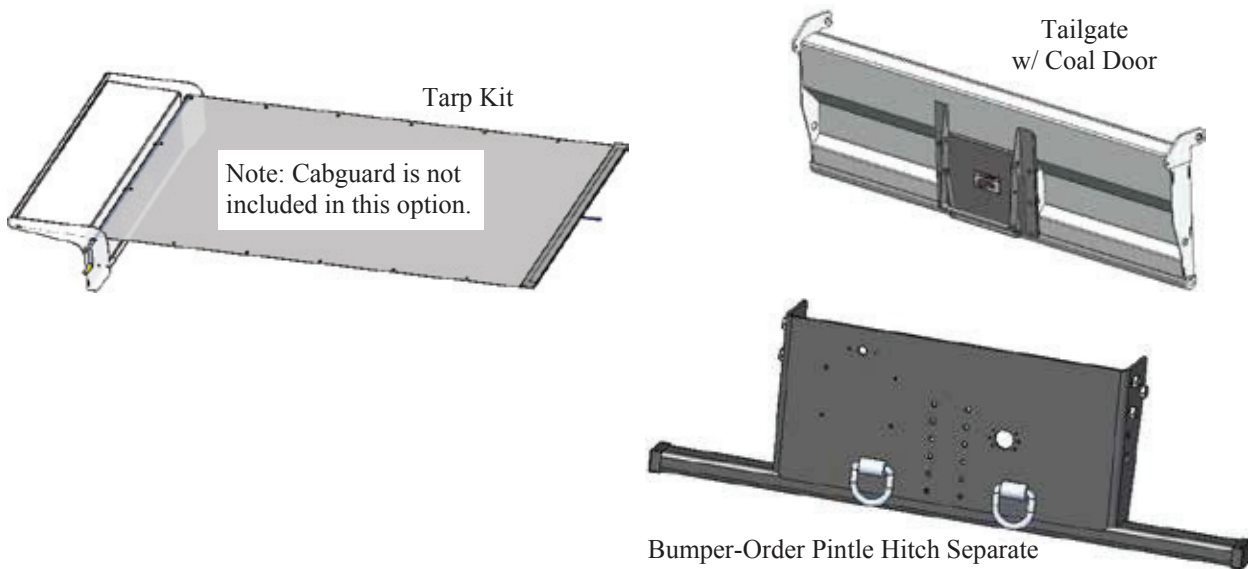


TC-420
w/ Dropdown Sides



OPTIONAL EQUIPMENT:

	LIST PRICE
D3-04880 ½ Std.Ht. Cabguard in lieu of ¼ – All ZEUS Models-----	\$ 94.00
D3-07738 ¾ Std. Ht. Cabguard in lieu of ¼ -----	\$ 189.00
D3-04921 ¼ Tall Cabguard for C5500 in lieu of standard – All ZEUS Models-----	\$ 75.00
D3-04920 ½ Tall Cabguard for C5500 in lieu of standard -- All ZEUS Models -----	\$ 111.00
D2-04912 Tarp Kit – Fits all ZEUS Models-----	\$ 297.00
D2-05359 Coal Door In Tailgate – All ZEUS Models -----	\$ 419.00
D2-07917 “2” Coal Doors in Tailgate -----	\$ 837.00
D2-07926 “3” Coal Doors in Tailgate -----	\$1,255.00
D2-05648 Steel Bumper/D-rings/Mounting Hardware (Only mounts on 34” Wide Frame) -----	\$ 657.00
D2-05628 16,000# Pintle Hitch for above Steel Bumper -----	\$ 231.00



F.O.B. TruckCraft factory, Chambersburg, PA
Terms: 1.5% - 10, Net 30 with approved credit
Warranty: TruckCraft TC-400 Series ZEUS is warranted for a period of 2 full years against defects in materials and workmanship.

Date May 25, 2018

ISUZU ZEUS Dealer Price Sheet

TC-425 ALUMINUM DUMP BODY

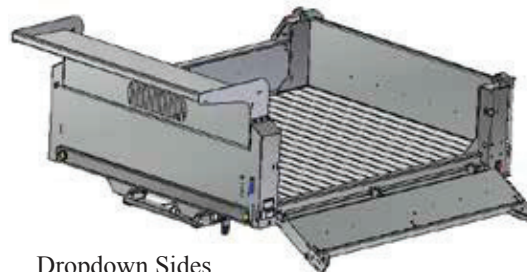
P/N		LIST PRICE	\$12,136.00
D1-05499	TC-425 96" X 10.5' Rigid Sides, 1/4 Cabguard - ISUZU Ht		
D1-05614	TC-425 96" X 10.5' Dropdown Sides, 1/4 Cabguard - ISUZU Ht	\$14,355.00	

16,600 lb hoist cap.; For 86.5" C.A. veh, 14,500 lb gvwr; 7" I-Beam Longsill; 2.375" Floor Plank 3.2 Cu Yd Cap; Wt- 1800 lbs

STANDARD FEATURES- ISUZU ZEUS MODEL

- No Assembly Required
- No Painting Except Touch-up
- No Welding Required
- Monarch™ Double Acting Power Unit
- Battery Cables & Re-settable Circuit Breaker Installed
- Painted Shear Plates & Gr-8 Steel Mounting Hardware
- Side Ht 13.5"; Tailgate Ht 19.5" - Permanent or Drop sides
- 50° Dump Angle
- LED Marker lights with harness installed
- "Body-up" Switch Installed (Cab indicator & bezel provided)
- Floor and Longsills Constructed of 6061-T6 Heat Treated Alloy Aluminum
- Stainless Steel Body Hardware
- White TruckCraft Logo Mudflaps (See Opts below)
- Two Year Factory Warranty

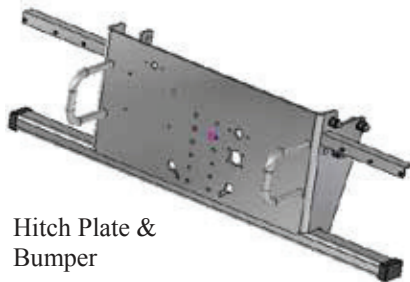
TC-425
RIGID SIDES



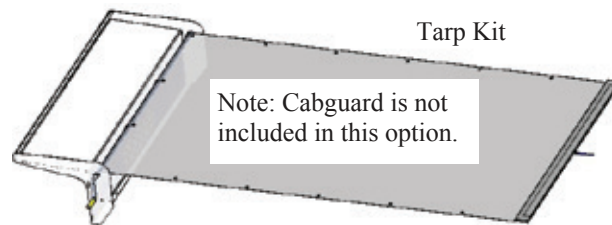
Dropdown Sides

OPTIONAL EQUIPMENT:

	<u>LIST ADD</u>
D2-05626 Hitch plate & bumper -----	\$1,046.00
D2-05628 16,000# Pintle Hook w/ball & mounting hardware -----	\$ 232.00
D3-04920 1/2 Cabguard in lieu of 1/4 - All ZEUS Models -----	\$ 111.00
D2-04912 Tarp Kit - ZEUS Model TC-425 -----	\$ 299.00



Hitch Plate &
Bumper



Tarp Kit

Note: Cabguard is not included in this option.



F.O.B. TruckCraft factory, Chambersburg, PA

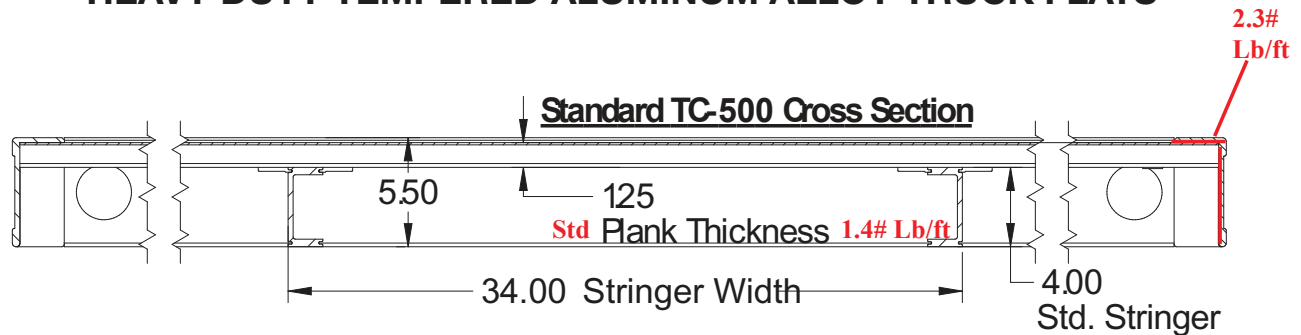
Terms: 1.5% - 10, Net 30 with approved credit

Warranty: TruckCraft TC-400 Series ZEUS is warranted for a period of 2 full years against defects in materials and workmanship.

Date May 25, 2018

TC-500 Dealer Price Sheet

HEAVY DUTY TEMPERED ALUMINUM ALLOY TRUCK FLATS



All materials are 6061-T6 heat-treated aluminum alloy extrusion with 37,000-PSI minimum tensile strength. The floor is constructed of aluminum alloy plank extrusions that provide rigid reinforcement every 5". Std. stringers are 4" x 2¼" channel (optional 6" "C" or 7" "H" avail.). Rub rails are a custom shape providing a ½" side height, with extruded side ribs for added strength and improved appearance. All rails have 1½" x ¾" stake pockets in the tops. Bed corners are mitered for safety and improved appearance. Complete with flush mounting LED 2½" grommet style clearance, marker, and I.D. FMVSS lights with wiring harness. **200 LBS/SF LEVEL LOAD RATING**

Note: All decks are built with a standard 34" stringer spacing unless another width is specified at time of order. TruckCraft is not responsible for mounting problems due to improper stringer spacing.

Order Information: With **No Trapdoor** order **P/N D1-02817** plus **W x L** - e.g. D1-02817 81x95

With **20x20 Trapdoor** order **P/N D1-02936** plus **W x L** - e.g. D1-02936 96x100. **LIST ADD \$243.00**

Specify stringer spacing with order if 34" standard is unacceptable (See "Note" above).

Length- "L"		Width & Approx Wgt of Deck w/4" Stringer						Truck	LIST PRICE		Length- "L"	
Inches	Ft-In	Width	Weight	Width	Weight	Width	Weight	C.A.	81" W		Inches	Ft-In
95"	7'-11"	81"	306#					56"	\$2,271.00		95"	7'-11"
100"	8'-4"	81"	320#					56"	\$2,351.00		100"	8'-4"
105"	8'-9"	81"	333#					56"	\$2,427.00		105"	8'-9"
110"	9'-2"	81"	348#					56-60"	\$2,512.00		110"	9'-2"
115"	9'-7"	81"	361#					56-60"	\$2,570.00		115"	9'-7"
Inches	Ft-In	Width	Weight	Width	Weight	Width	Weight	C.A.	96" W	102" W	Inches	Ft-In
95"	7'-11"			96"	345#	102"	360#	56"	\$2,441.00	\$2,516.00	95"	7'-11"
100"	8'-4"			96"	361#	102"	379#	56"	\$2,521.00	\$2,599.00	100"	8'-4"
105"	8'-9"			96"	377#	102"	395#	56"	\$2,598.00	\$2,680.00	105"	8'-9"
110"	9'-2"			96"	392#	102"	410#	56-60"	\$2,681.00	\$2,768.00	110"	9'-2"
120"	10'-0"			96"	424#	102"	442#	84"	\$2,916.00	\$3,010.00	120"	10'-0"
125"	10'-5"			96"	440#	102"	461#	84"	\$3,055.00	\$3,154.00	125"	10'-5"
130"	10'-10"			96"	456#	102"	477#	84"	\$3,167.00	\$3,269.00	130"	10'-10"
135"	11'-3"			96"	471#	102"	492#	84"	\$3,244.00	\$3,349.00	135"	11'-3"
145"	12'-1"			96"	503#	102"	527#	84"	\$3,402.00	\$3,515.00	145"	12'-1"
	12'-6"			96"	519#	102"	543#	84"	\$3,502.00	\$3,620.00	150"	12'-6"
155"	12'-11"			96"	534#	102"	558#	84"	\$3,598.00	\$3,722.00	155"	12'-11"
160"	13'-4"			96"	550#	102"	574#	84"	\$3,700.00	\$3,826.00	160"	13'-4"
165"	13'-9"			96"	566#	102"	593#	84"	\$3,791.00	\$3,919.00	165"	13'-9"
175"	*14'-7"			96"	598#	102"	625#	108"	\$3,970.00	\$4,107.00	175"	*14'-7"
180"	*15'-0"			96"	613#	102"	640#	108"	\$4,072.00	\$4,213.00	180"	*15'-0"
185"	*15'-5"			96"	629#	102"	659#	120"	\$4,160.00	\$4,304.00	185"	*15'-5"
190"	*15'-10"			96"	645#	102"	675#	120"	\$4,265.00	\$4,413.00	190"	*15'-10"
195"	*16'-3"			96"	661#	102"	694#	120"	\$4,383.00	\$4,536.00	195"	*16'-3"
200"	*16'-8"			96"	677#	102"	710#	132"	\$4,505.00	\$4,662.00	200"	*16'-8"
205"	*17'-1"			96"	692#	102"	725#	132"	\$4,633.00	\$4,794.00	205"	*17'-1"
210"	*17'-6"			96"	708#	102"	741#	132"	\$4,749.00	\$4,901.00	210"	*17'-6"
215"	*17'-11"			96"	723#	102"	756#	144"	\$4,879.00	\$5,047.00	215"	*17'-11"
220"	*18'-4"			96"	739#	102"	772#	144"	\$4,993.00	\$5,164.00	220"	*18'-4"
225"	*18'-9"			96"	755#	102"	788#	144"	\$5,108.00	\$5,284.00	225"	*18'-9"
230"	*19'-2"			96"	771#	102"	807#	156"	\$5,234.00	\$5,414.00	230"	*19'-2"
235"	*19'-7"			96"	787#	102"	823#	156"	\$5,359.00	\$5,543.00	235"	*19'-7"
240"	*20'-0"			96"	803#	102"	842#	156"	\$5,479.00	\$5,667.00	240"	*20'-0"

*NOTE: Flats over 14'-2" must purchase 6" or 7" stringer upgrade(pg17). 7" stringer upgrade adds 3lb/ft to body weight. Body lengths other than those shown are available in 5" increments - maximum 240".

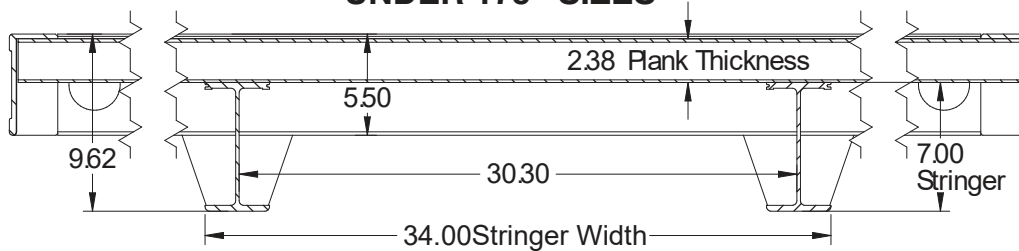


Date May 25, 2018

TC-501 HERCULES Dealer Price Sheet

EXTRA HEAVY DUTY TEMPERED ALUMINUM ALLOY TRUCK FLATS

UNDER 175" SIZES



All materials are 6061-T6 heat-treated aluminum alloy extrusions with 37,000-PSI minimum tensile strength. 2-3/8" floor planks are 3/16" thick on top, provide cross-ribs every 5" underneath. Standard stringer is 7" "H" beam. Optional 6" "C" channel is avail for no hoist applications. Rub rails are a custom shape providing a 5 1/2" side height, have extruded side ribs for added strength and improved appearance. All rails have 1 1/2" x 3/4" lined stake pockets in the tops. Bed corners are mitered for safety and improved appearance. Complete with flush mount, 2 1/2" grommet style LED clearance, marker, and I.D. lights with wiring harness. Overall body height 9.5" with 7" "H" beam, 8.5" with 6" "C" channel. **350 LBS/SF LEVEL LOAD RATING**

Note: All decks are built with a standard 34.00" stringer spacing unless another width is specified at time of order. TruckCraft is not responsible for mounting problems due to improper stringer spacing.

Flats: With **No Trapdoor** order **P/N D1-04815 plus W x L**-e.g. D1-04815 96 x 240.

With **20x20 Trapdoor** order **P/N D1-06214 plus W x L**-e.g. D1-06214 96 x 175. **LIST ADD \$313.00**

Specify dimension from front of deck to centerline of trapdoor. Also specify stringer spacing with order if 34.00" standard is unacceptable (See "Note" above).

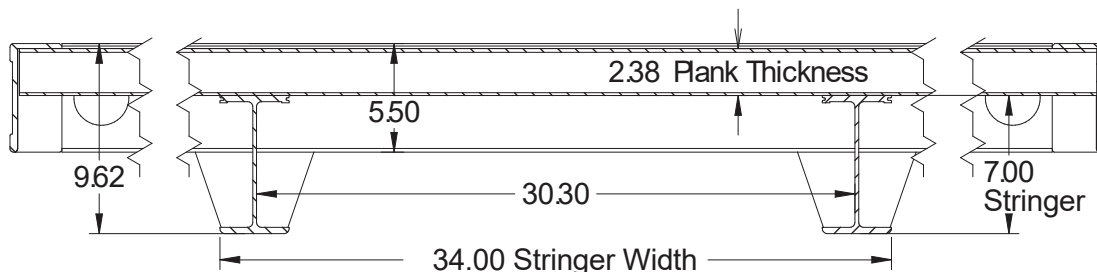
Model (W" x L")	Length In Feet	Body Weight	Truck C.A.	LIST PRICE
96" x 95"	7'-11"	488#	56"	\$2,547.00
96" x 100"	8'-4"	511#	56"	\$2,676.00
96" x 105"	8'-9"	533#	56"	\$2,808.00
96" x 110"	9'-2"	555#	56/60"	\$2,942.00
96" x 115"	9'-7"	578#	56/60"	\$3,083.00
96" x 120"	10'	600#	84"	\$3,217.00
96" x 125"	10'-5"	623#	84"	\$3,348.00
96" x 130"	10'-10"	645#	84"	\$3,485.00
96" x 135"	11'-3"	667#	84"	\$3,621.00
96" x 140"	11'-8"	690#	84"	\$3,752.00
96" x 145"	12'-1"	712#	84"	\$3,882.00
96" x 150"	12'-6"	734#	84"	\$4,017.00
96" x 155"	12'-11"	756#	84"	\$4,149.00
96" x 160"	13'-4"	778#	84"	\$4,283.00
96" x 165"	13'-9"	791#	84"	\$4,413.00
96" x 170"	14'-2"	813#	108"	\$4,551.00
102" x 95"	7'-11"	497#	56"	\$2,641.00
102" x 100"	8'-4"	520#	56"	\$2,759.00
102" x 105"	8'-9"	546#	56"	\$2,877.00
102" x 110"	9'-2"	568#	56/60"	\$3,002.00
102" x 115"	9'-7"	591#	56/60"	\$3,120.00
102" x 120"	10'	614#	84"	\$3,254.00
102" x 125"	10'-5"	636#	84"	\$3,392.00
102" x 130"	10'-10"	659#	84"	\$3,511.00
102" x 135"	11'-3"	685#	84"	\$3,632.00
102" x 140"	11'-8"	708#	84"	\$3,819.00
102" x 145"	12'-1"	731#	84"	\$3,884.00
102" x 150"	12'-6"	757#	84"	\$4,002.00
102" x 155"	12'-11"	780#	84"	\$4,126.00
102" x 160"	13'-4"	802#	84"	\$4,243.00
102" x 165"	13'-9"	825#	84"	\$4,365.00
102" x 170"	14'-2"	851#	108"	\$4,500.00

NOTE: TC-501 **HERCULES** flats require minimum 6" C stringers (4" not avail)



TC-501 HERCULES Dealer Price Sheet

EXTRA HEAVY DUTY TEMPERED ALUMINUM ALLOY TRUCK FLATS



All materials are 6061-T6 heat-treated aluminum alloy extrusions with 37,000-PSI minimum tensile strength. 2-3/8" floor planks are 3/16" thick on top, provide cross-ribs every 5" underneath. Standard stringer is 7" "H" beam. Optional 6" "C" channel is avail for no hoist applications. Rub rails are a custom shape providing a 5 1/2" side height, have extruded side ribs for added strength and improved appearance. All rails have 1 1/2" x 3/4" lined stake pockets in the tops. Bed corners are mitered for safety and improved appearance. Complete with flush mount, 2 1/2" grommet style LED clearance, marker, and I.D. lights with wiring harness. Overall body height 9.5" with 7" "H" beam, 8.5" with 6" "C" channel. **350 LBS/SF LEVEL LOAD RATING**

Note: All decks are built with a standard 34.00" stringer spacing unless another width is specified at time of order. TruckCraft is not responsible for mounting problems due to improper stringer spacing.

Flats: With **No Trapdoor** order **P/N D1-04815 plus W x L**-e.g. D1-04815 96 x 240.

With **20x20 Trapdoor** order **P/N D1-06214 plus W x L**-e.g. D1-06214 96 x 175. **LIST ADD \$313.00** Specify dimension from front of deck to centerline of trapdoor. Also specify stringer spacing with order if 34.00" standard is unacceptable (See "Note" above).

Model (W" x L")	Length In Feet	Body Weight ^{7"} stringr	Truck C.A.	LIST PRICE
81"X175"	14'-7"	779#	108"	\$4,392.00
81"X180"	15'-0"	801#	108"	\$4,500.00
81" sizes available in 5" increments to 20'				
96" X 175"	14'-7"	835#	108"	\$4,783.00
96" X 180"	15'-0"	857#	108"	\$4,790.00
96" X 185"	15'-5"	880#	120"	\$4,902.00
96" X 190"	15'-10"	903#	120"	\$5,021.00
96" X 195"	16'-3"	926#	120"	\$5,161.00
96" X 200"	16'-8"	949#	132"	\$5,302.00
96" X 205"	17'-1"	971#	132"	\$5,452.00
96" X 210"	17'-6"	994#	132"	\$5,591.00
96" X 215"	17'-11"	1017#	144"	\$5,739.00
96" X 220"	18'-4"	1040#	144"	\$5,869.00
96" X 225"	18'-9"	1063#	144"	\$6,008.00
96" X 230"	19'-2"	1085#	156"	\$6,152.00
96" X 235"	19'-7"	1108#	156"	\$6,301.00
96" X 240"	20'-0"	1131#	156"	\$6,441.00
102" X 175"	14'-7"	874#	108"	\$4,806.00
102" X 180"	15'-0"	896#	108"	\$4,929.00
102" X 185"	15'-5"	922#	120"	\$5,045.00
102" X 190"	15'-10"	945#	120"	\$5,167.00
102" X 195"	16'-3"	971#	120"	\$5,314.00
102" X 200"	16'-8"	994#	132"	\$5,459.00
102" X 205"	17'-1"	1016#	132"	\$5,613.00
102" X 210"	17'-6"	1046#	132"	\$5,753.00
102" X 215"	17'-11"	1065#	144"	\$5,903.00
102" X 220"	18'-4"	1091#	144"	\$6,041.00
102" X 225"	18'-9"	1114#	144"	\$6,185.00
102" X 230"	19'-2"	1136#	156"	\$6,330.00
102" X 235"	19'-7"	1159#	156"	\$6,484.00
102" X 240"	20'-0"	1185#	156"	\$6,511.00

NOTE: TC-501 **HERCULES** flats require minimum 6" C stringers (4" not avail)

Date May 25, 2018

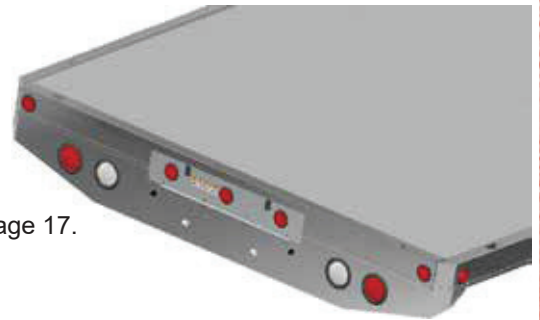
OPTIONAL EQUIPMENT:

Deck w/ Center Storage Pan & Tailboard

Door on tailboard drops down to facilitate full length storage between 6" stringers under deck. Two spring latches provide quick access to the storage area. When ordering **replace P/N D1-02817 with D1-05425.**

Note: Only available on a TC-500 with a 34" wide stringer spacing and 6" stringers.

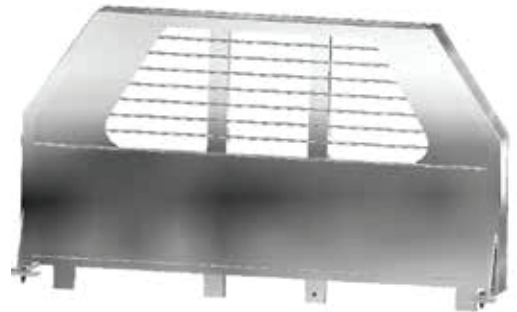
LIST PRICE Adder – Add **\$718.00** to 96" wide "LIST PRICE" shown on page 17.



Standard Cab Guards Page 23

Profile shape with protected window area. Frame is made of 5 1/2" wide extrusion to match appearance of body rub rail. Window area is covered with 3/8" round bars. Window opening is profiled to truck window. Bulkhead below window is .125" bright diamond plate. Cab guard fits into front stake pockets (4 places) and bolts to bed.

See "CABGUARDS" sheet on **Page 23** for a complete listing of all cabguards available and pricing.



Tailboards

Bright diamond plate aluminum with 4-1/2" LED stop, tail, turn lights, backup lights (LED), license plate light and wiring harness. 10" high with wrap-around corners.



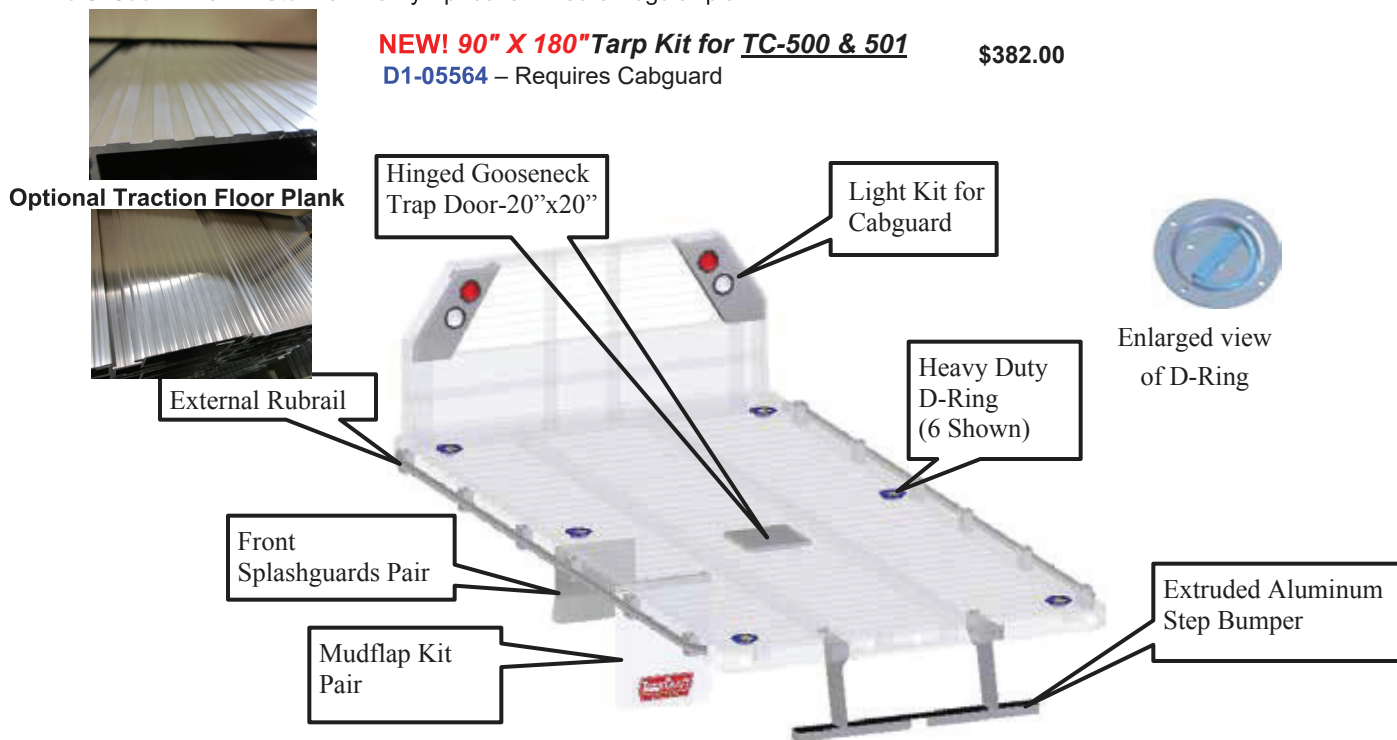
<u>P/N</u>	<u>Width</u>	<u>List Price</u>
D1-02997	81"	\$409.00
D1-07580	85"	\$439.00
D1-02940	96"	\$439.00
D1-06126	102"	\$451.00



OPTIONAL EQUIPMENT (CONTINUED):

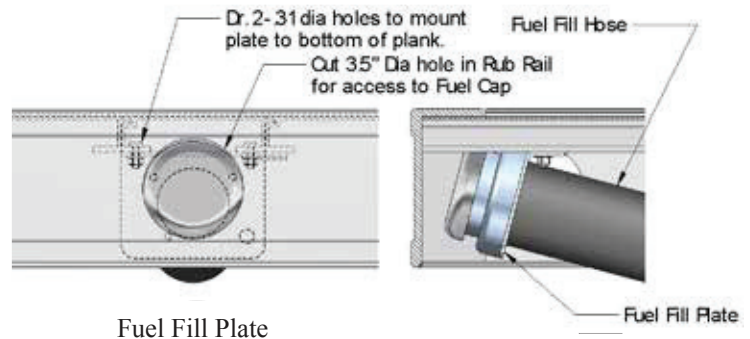
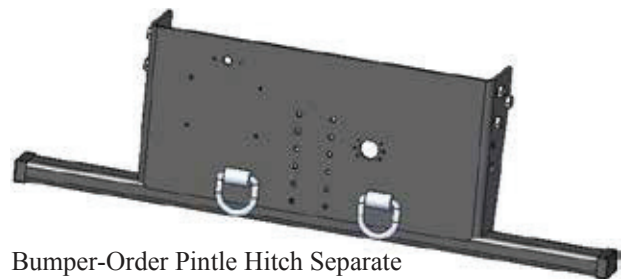
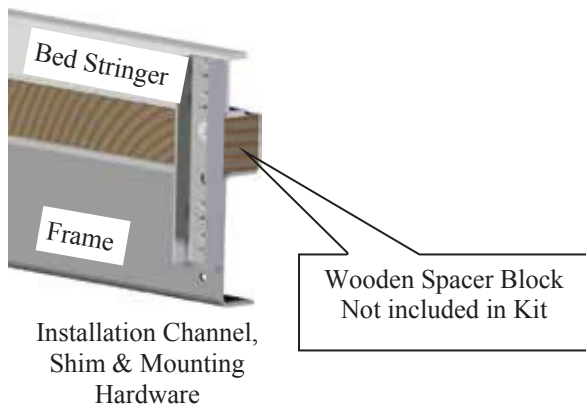
<u>Option</u>	<u>LIST PRICE</u>
External Rubrail 2-1/4" x 7/16" alum, avail sides only, w/stake pocs D2-06189 Note: Both sets of stake pockets are provided unless otherwise stated.	\$21.00 Ft. Body Lgth
Hinged Gooseneck Trap Door (To order TC-500 or 501 w/Trapdoor Installed in Flat Use P/N's on Pg 17 & 18) D2-08155 (P/N for loose door kit only TC-500) D2-06208 (P/N for loose door kit only TC-501) Closes flush, lays flat when open	\$243.00 \$371.00
Heavy Duty D-Rings B4-01366 - 6,000 LB cap., swiveling, flush recessed, w/ drain hole, stainless atch. Hdw	(Installed - Ea.) \$115.00 (Loose-Ea.) \$61.00
Front Splash Guards Pair of .125" bright diamond plate guards include brace and fastening hardware. Install in front of rear wheels. L7-01372 - 20"x20" for DRW L7-01462 - 14"x18" for SRW	Pair \$218.00 Pair \$194.00
Mudflap Kits Ribbed white plastic mudflaps, embossed logo, includes alum. mounting brackets and stainless hardware. L7-01422 24" x 30" for DRW C1-03198 16" x 30" for SRW	Pair \$93.00 Pair \$87.00
Light Kit for Cabguard L7-02321 4-1/2" Diameter LED Stop/Tail/Turn & Backup lights installed in upper corners of cabguard. Incls. harness.	ADDER- \$314.00
Extruded Aluminum Step Bumper D1-01924 Bolt on; Stnls hdw incl; 750# rated step with non-slip top surface	\$477.00
6" Stringer for Hoist Application TC-500 Add Per Foot of Body Length L7-01442	\$23.00/F.B.L.
6" Stringer downgrade for light duty application TC-501 Deduct Per Foot of Body Length L7-01442	\$16.00/F.B.L.
7" H Beam Stringer for Hoist Application TC-500 Add Per Foot of Body Length B4-04538 - 6.30" Between Flanges	\$36.00/F.B.L.
NEW! Traction Plank Non-Slip Floor Plank TC-500 Add Per Foot of Body Length D5-07395 - Avail in Std Plank Only - price is in lieu of regular plank	\$6.00/F.B.L.

NEW! 90" X 180" Tarp Kit for TC-500 & 501
D1-05564 - Requires Cabguard **\$382.00**



OPTIONAL EQUIPMENT (CONTINUED):

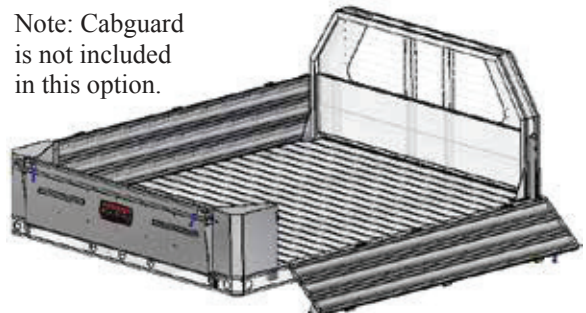
<u>Option</u>	<u>LIST PRICE</u>
Installation Hardware Kits	
B2-01216 -for TC-500 w/4" Longsills. Contains- Pre-cut & drilled channels & shims, stnls hdw, 2 fuel-fill mount plates	\$201.00
D2-06216 -for TC-501 w/7" Longsills. Contains- Pre-cut & drilled channels & shims, stnls hdw, 2 fuel-fill mount plates	\$281.00
Fuel Filler Mounting Plate B4-01093 Alum. W/Stnls Hdw	\$24.00
DEF Filler Mounting Plate D4-06561 Alum. W/Stnls Hdw (Blank w/Mntg holes only)	\$24.00
Bumper for Pintle Hitch Mounting (Hitch must be ordered separate)	
D2-05648 Steel Bumper/D-rings/ Mounting hardware (Only mounts on 34" Wide Frame)	\$654.00
D2-05628 16,000# Pintle Hitch for above Bumper	\$232.00



Drop Side Sets

Factory installed kit includes 12" or 18" high extruded T-5 alloy drop sides, tailgate, corner bolsters with all stainless hardware, hinges, pins, etc. Can be installed on existing TC-500s & 501s.

See "ALUMINUM DROP SIDES" sheet on Pages 28 & 29 for a complete listing and pricing of all Drop Side Sets available.



Note: Cabguard is not included in this option.

See www.TruckCraft.com for photos of flats & most options

RATING: TC500 is Load-rated for 200 lbs/sf of body area, evenly distributed. e.g. -8'w x 9'lg=72sq ft x 200 lbs = 14,400lbs
 TC501 is Load-rated for 350 lbs/sf of body area, evenly distributed. e.g. -8'w x 9'lg=72sq ft x 350 lbs = 25,200lbs

Note: Body may overhang rear of truck frame up to 18" on a body up to 12', - 6" on a body longer than 12'

Date May 25, 2018

CABGUARDS Dealer Price Sheet FOR ALL TC-500s & TC-501s



96x40 cabguard
with opt light kit



40" RACKS w/ 43" SOLID CABGUARD

Standard Cabguards w/ 3/8" bars & profiled side plates

#	P/N	WT _{lb}	W" x H"	Side Break Ht"	LIST PRICE
1	D1-05997	78	81 x 35.5	18.5	\$651.00
2	D1-02905	81	81 x 40	23	\$707.00
3	D1-02907	87	81 x 48	31	\$939.00
4	D1-02909	89	81 x 51	34	\$977.00
5	D1-06765	100	85 x 52	40 (Tran/Sprt)	\$1,017.00
6	D1-06766	102	85 x 60	57 (Sprinter)	\$1,119.00
7	D1-07786	95	85 x 46	34 (Transit)	\$1,049.00
8	D1-06041	88	96 x 35.5	18.5	\$731.00
9	D1-02921	92	96 x 40	23	\$788.00
10	D1-02923	101	96 x 48	31	\$952.00
11	D1-02925	105	96 x 51	34	\$970.00
12	D1-02927	107	96 x 54	37	\$1,044.00
13	D1-02929	110	96 x 60	43	\$1,060.00
14	D1-06370	95	102 x 40	23	\$847.00
15	D1-06129	113	102 x 54	37	\$1,082.00

30" Rack Cabguards-No window

#	P/N	WT _{lb}	W" x H"	Side Break Ht"	LIST PRICE
1	D1-02773	82	81 x 43	30	\$718.00
2	D1-02771	92	96 x 43	30	\$803.00

30" Rack Cabguards-w/window

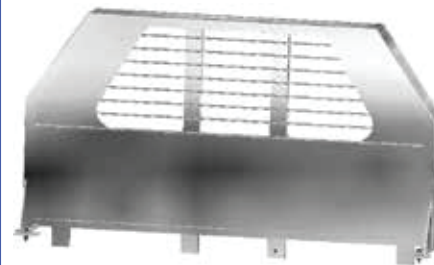
#	P/N	WT _{lb}	W" x H"	Side Break Ht"	LIST PRICE
1	D1-02882	75	81 x 43	30	\$864.00
2	D1-02884	86	96 x 43	30	\$946.00

40" Rack Cabguards-No window

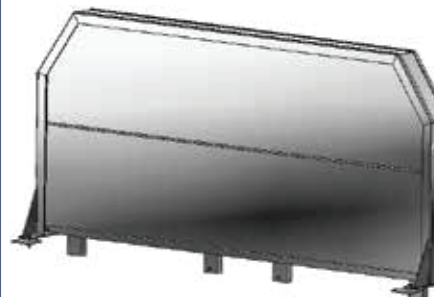
#	P/N	WT _{lb}	W" x H"	Side Break Ht"	LIST PRICE
1	D1-02770	84	81 x 43	40	\$718.00
2	D1-02768	95	96 x 43	40	\$803.00

40"+ Rack Cabguards-w/window

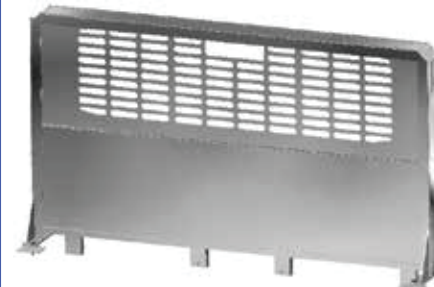
#	P/N	WT _{lb}	W" x H"	Side Break Ht"	LIST PRICE
1	D1-02881	78	81 x 43	40	\$864.00
2	D1-02878	95	96 x 43	40	\$947.00
3	D1-06535	99	102 x 43	40	\$1,084.00
4	D1-07397	105	96 x 48	45	\$1,065.00
5	D1-03352	110	96 x 54	51 (Isuzu)	\$1,132.00



Standard Cab Guard



30" Rack Cabguard-No Window



40" Rack Cabguard w/Window



OPTIONAL EQUIPMENT :

<u>P/N</u>	<u>Option</u>	<u>LIST PRICE</u>
Delete Trapdoor-----		
B2-01216	<i>Lynx</i> Inst'l Kit- Channels & shims, stnls hdw, 2 fuel-fill mount plates-----	\$ 201.00
B4-01093	Fuel Filler Mounting Plate-Alum. W/Stnls Hdw-----	\$ 24.00
D4-06561	DEF Filler Mounting Plate-Alum. W/Holes & Hdw for Mntg only-----	\$ 24.00
C1-03198	SRW White TruckCraft Logo mudflaps & brackets (16" x 30")-----	\$ 87.00
L7-01422	DRW White TruckCraft Logo mudflaps & brackets (24" X 30")-----	\$ 93.00
D2-06052	Step Bumper; Structural aluminum; 750 lb cap.; Non-slip top surface-----	\$ 316.00
B4-01366	D-Rings; 6,000 lb cap, recessed in floor, swiveling; fact. Installed-----	\$ 115.00
D2-05992	12"x 96" Racks w/locking rear sectiON shaped to fit back contour of <i>Lynx</i> -----	\$1,297.00
D2-06159	6" X96" Racks w/locking rear section shaped to fit back contour of <i>Lynx</i> -----	\$ 913.00



Mudflap
w/ Bucket



Step Bumper



D-Ring

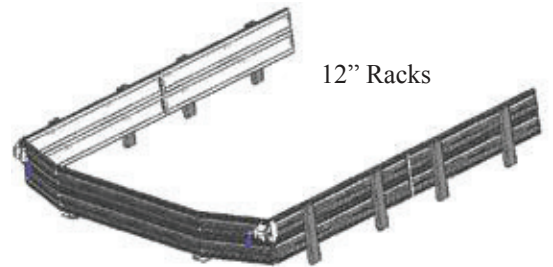


Installation
Channel, Shim &
Mounting
Hardware-
Req'd for Std LYNX
Only

Wooden Spacer Block
Not included in Kit



Fuel Fill Plate



12" Racks

RATING: TruckCraft TC-505 *Lynx* is rated at 200 lbs s/f level load

TruckCraft reserves the right to make product changes without prior notice

F.O.B. TruckCraft factory, Chambersburg, PA

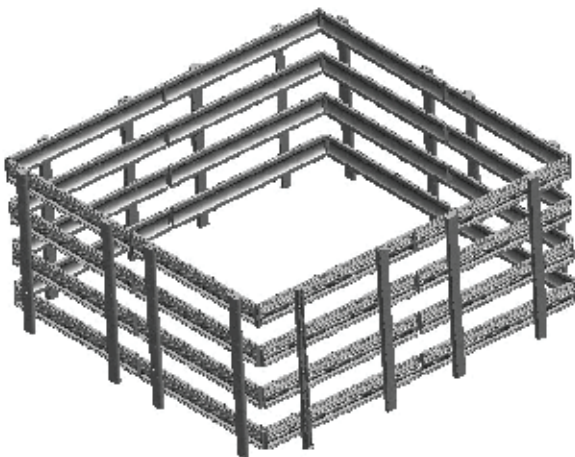
Warranty: TruckCraft TC-505 *Lynx* is warranted for a period of one year against defects in materials and workmanship.

Date May 25, 2018

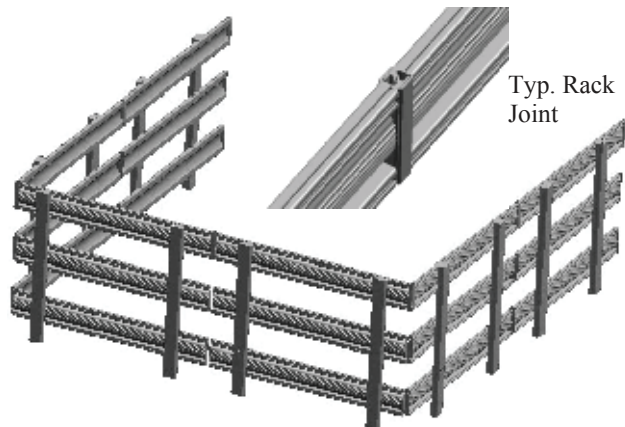
6", 12", 30" & 40" T-6 ALLOY STAKE RACKS FOR TC-500, 501 & 508 Dealer Price Sheet



ACTUAL BODY LENGTH	10' & UNDER (2 SECTS/SIDE)		10'-1"-12'-1" (2 SECTS/SIDE)		12'-2"-14'-2" (3 SECTS/SIDE)	
RACK HEIGHT	40" HIGH	30" HIGH	40" HIGH	30" HIGH	40" HIGH	30" HIGH
COMPLETE SET-SIDES, FRONTS & REARS	D1-02760	D1-02762	D1-02760	D1-02762	D1-02781	D1-02783
RETAIL PRICE	\$3,005.00	\$2,262.00	\$3,005.00	\$2,495.00	\$3,431.00	\$2,849.00
NO FRONT SET-SIDES & REARS ONLY	D1-02761	D1-02763	D1-02761	D1-02763	D1-02782	D1-02784
RETAIL PRICE	\$2,070.00	\$1,720.00	\$2,285.00	\$1,895.00	\$2,779.00	\$2,304.00



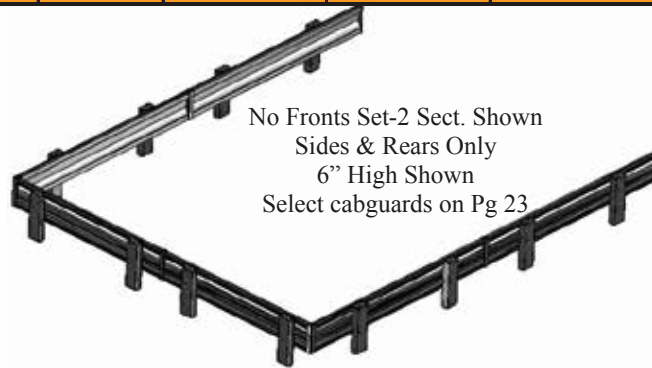
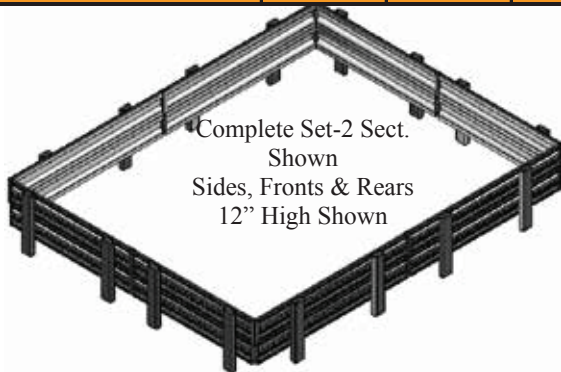
Complete Set-2 Sect. Sides
 Sides, Fronts & Rears
 40" High Shown



No Fronts Set—2 sect sides shown
 Sides & Rears Only
 30" High Shown
 Order cabguard on CABGUARDS sheet.(Pg 23)



ACTUAL BODY LENGTH	10' & UNDER (2 SECTS/SIDE)				10'-1"-12'-1" (2 SECTS/SIDE)		12'-2"-14'-2" (3 SECTS/SIDE)	
	24" HIGH	18" HIGH	12" HIGH	6" HIGH	12" HIGH	6" HIGH	12" HIGH	6" HIGH
COMPLETE SET-SIDES, FRONTS & REARS	D1-06225	D1-06226	D1-03554	D1-03555	D1-03554	D1-03555	D1-03556	D1-03557
RETAIL PRICE	\$2,723.00	\$2,262.00	\$1,419.00	\$864.00	\$1,702.00	\$1,038.00	\$1,926.00	\$1,164.00
NO FRONT SET-SIDES & REARS ONLY	D1-06200	D1-06199	D1-03558	D1-03559	D1-03558	D1-03559	D1-03560	D1-03561
RETAIL PRICE	\$1,851.00	\$1,426.00	\$999.00	\$573.00	\$1,198.00	\$687.00	\$1,398.00	\$800.00

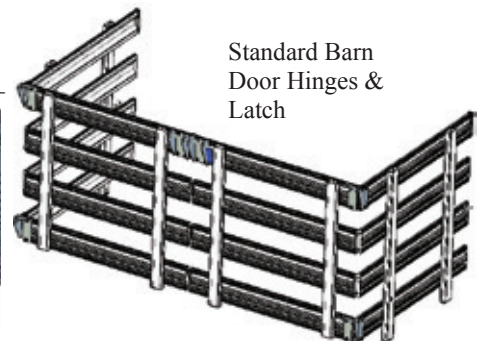
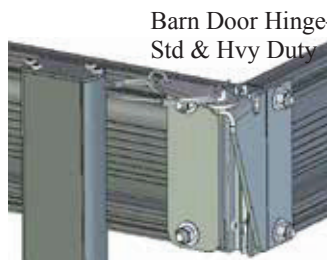
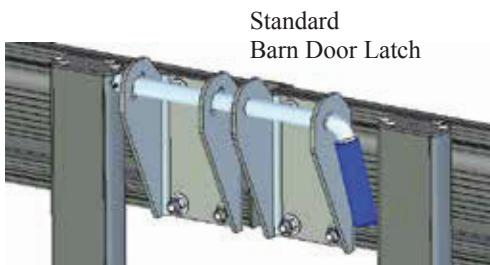


Filler Strips	For 30" Racks - 2 strips needed per section P/N B4-02874 1/8" x 6.28" x 60"	For 40" Racks - 3 strips needed per section P/N B4-02873 1/8" x 5.62" x 60"
Retail Price	\$33.00 per strip	\$32.00 per strip

CABGUARDS for RACK SETS Order Rack cabguards on Pg 23 for 30" & 40" racks
 6" & 12" racks may use standard TC-500 taper cabguard Pg 23

D2-06677 Hvy Duty Barn Door Kit W/Cam-Lock Latch & Center Reinforcement RET. \$1,034.00

D2-05457 Barn Door Hinges and Latch RET. \$351.00



Description: Rack sections come factory assembled; Built-in stake pocket latch in each section (30" & 40" only); Uprights can be repositioned anywhere horizontally along slats; All extruded, .125 thk, tempered T-6 Alloy aluminum with fluted slats for high strength and custom appearance; All slats capped on ends; All uprights capped; 40" high sects use 4 slats, 30" - 3 slats, 12" - 2 slats, 6" - 1 slat; All bolted construction allows easy field replacement of damaged slats or uprights; All hardware 18-8 stainless; Each section interlocks to mating section with no tools.

Date May 25, 2018

ALUMINUM DROP SIDES

Dealer Price Sheet

ALUMINUM DROP SIDES -18"

(See next pg for 12" Sets)

Dealer Price Sheet

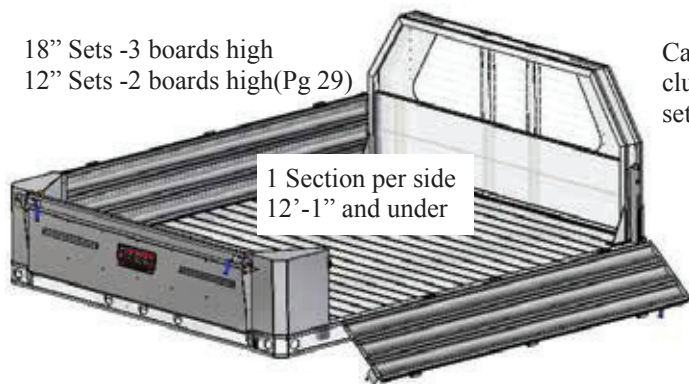
STANDARD FEATURES OF DROP-SIDE SET :

Factory installed kit includes 18" high extruded T6-alloy drop sides, top-drop tailgate, corner bolsters with all stainless hardware, hinges, pins, etc. Can be installed on existing TC-500 & 501 flats, TC-508 **ARROW** & TC-510, 515, 520, 530, & 540 **STARLIFTER** dumping flats.

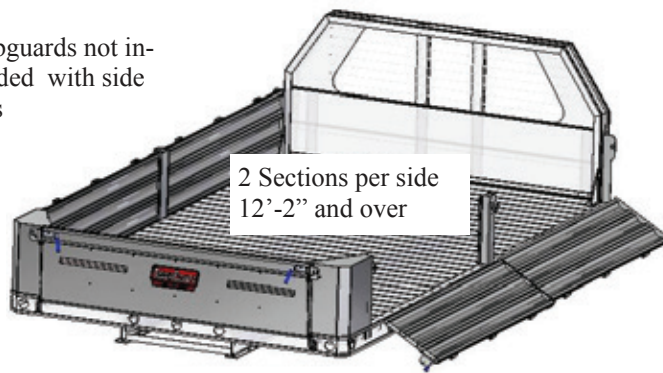
Order P/N & body size – eg. **XX-XXXXX 81x115**

18" High Sides	Part No		LIST PRICE
81"W by up to 8'-4"L	D1-04726	1 Sect per side	\$2,959.00
81"W by 8'-5" to 10'L	D1-04726	"	\$3,406.00
81"W by 10'-1" to 12'-1"L	D1-04726	"	\$3,591.00
81"W by 12'-2" to 16'-3"L	D1-06187	2 Sects per side w/ ctr post	\$3,960.00
85"W by up to 8'-4"L	D1-06291	1 Sect per side	\$3,125.00
85"W by 8'-5" to 10'L	D1-06291	"	\$3,593.00
85"W by 10'-1" to 12'-1"L	D1-06291	"	\$3,693.00
96"W by up to 8'-4"L	D1-04333	1 Sect per side	\$3,125.00
96"W by 8'-5" up to 10'L	D1-04333	"	\$3,593.00
96"W by 10'-1" to 12'-1"L	D1-04333	"	\$3,693.00
96"W by 12'-2" to 16'-3"L	D1-04830	2 Sects per side w/ ctr post	\$4,471.00

18" Sets -3 boards high
 12" Sets -2 boards high(Pg 29)



Cabguards not included with side sets



Tailgate and rear corner bolsters are 18" high on 18" high sides, 13" high on 12" sets.

18" Corner Bolsters– R/H C3-04357; L/H C3-04413	List \$261.00ea
13" Corner Bolsters– R/H D3-05889; L/H D3-05888	List \$261.00ea
18" Corner Bolsters & 18" Tailgate w/Hdw for 96" wide	List \$1,010.00
13" Corner Bolsters & Tailgate w/Hdw for 81" wide	List \$1,002.00
Tailgate & Hdw (13" or 18")	List \$516.00

TRUCKCRAFT

Date May 25, 2018

ALUMINUM DROP SIDES -12" *

Dealer Price Sheet

Order P/N & body size – eg. XX-XXXXX 81x115

12" High Sides	Part No		LIST PRICE
81"W by up to 8'-4"L	D1-06198	1 Sect per side	\$2,576.00
81"W by 8'-5" to 10'L	D1-xxxxx	"	\$2,969.00
81"W by 10'-1" to 12'-1"L	D1-xxxxx	"	\$3,133.00
81"W by 12'-2" to 16'-3"L	D1-xxxxx	2 Sects per side w/ ctr post	\$3,452.00
85"W by up to 8'-4"L	D1-xxxxx	1 Sect per side	\$2,724.00
85"W by 8'-5" to 10'L	D1-xxxxx	"	\$3,134.00
85"W by 10'-1" to 12'-1"L	D1-xxxxx	"	\$3,220.00
96"W by up to 8'-4" L	D1-xxxxx	1 Sect per side	\$2,724.00
96"W by 8'-5" to 10'L	D1-xxxxx	"	\$3,134.00
96"W by 10'-1" to 12'-1"L	D1-xxxxx	"	\$3,220.00
96"W by 12'-2" to 16'-3"L	D1-xxxxx	2 Sects per side w/ ctr post	\$3,899.00

* Tailgate and rear corner bolsters - 13" high on 12" High Sides Sets.

See www.TruckCraft.com for photos of drop sides & options



Date May 25, 2018

TC-503 STORM ALUMINUM LANDSCAPER BODY

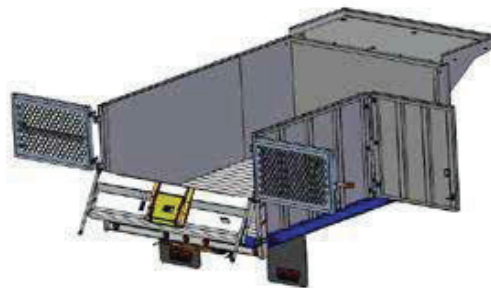
Dealer Price Sheet

CHOOSE BODY SIZE & VEHICLE

CA	Lgth	P/N	Sd Ht	Truck	Description	Retail
60"	9'-9"	D1-06711	40"	Ford	No Side Door; Full Ht Barn Doors	\$9,954
60"	9'-9"	D1-06713	40"	GM/Ram	No Side Door; Full Ht Barn Doors	\$9,954
60"	9'-9"	D1-06670	40"	Ford	W/Side Door; Full Ht Barn Doors	\$10,448
60"	9'-9"	D1-06672	40"	GM/Ram	W/Side Door; Full Ht Barn Doors	\$10,448
60"	9'-9"	D1-06631	50"	Ford	No Side Door, Full Ht Barn Doors	\$10,133
60"	9'-9"	D1-06630	50"	GM/Ram	No Side Door, Full Ht Barn Doors	\$10,133
60"	9'-9"	D1-06628	50"	Ford	W/Side Door; Full Ht Barn Doors	\$10,625
60"	9'-9"	D1-06629	50"	GM/Ram	W/Side Door; Full Ht Barn Doors	\$10,625
84"	11'-5"	D1-06712	40"	Ford	No Side Door, Full Ht Barn Doors	\$10,615
84"	11'-5"	D1-06714	40"	GM/Ram	No Side Door, Full Ht Barn Doors	\$10,615
84"	11'-5"	D1-06671	40"	Ford	With Side Door, Full Ht Barn Doors	\$11,167
84"	11'-5"	D1-06613	40"	GM/Ram	With Side Door, Full Ht Barn Doors	\$11,167
84"	11'-5"	D1-06600	50"	Ford	No Side Door, Full Ht Barn Doors	\$10,793
84"	11'-5"	D1-06632	50"	GM/Ram	No Side Door, Full Ht Barn Doors	\$10,793
84"	11'-5"	D1-06527	50"	Ford	With Side Door, Full Ht Barn Doors	\$11,293
84"	11'-5"	D1-06627	50"	GM/Ram	With Side Door, Full Ht Barn Doors	\$11,293

OPTIONS

P/N	Description	Retail
D2-06634	Tailgate(20") with Small Barn Doors	\$748
D2-06633	Tailgate(20") with Coal Chute & Small Barn Doors	\$1,057
D2-06460	40" Long Cabguard	\$853
D2-06521	Tarp Assy - Crank Roller Type	\$272
D2-08044	Tarp Assy - Chain Drv w/Free Unwind	\$1,050



GENERAL SPECIFICATION TC-503 STORM

STANDARD FEATURES

- Lengths avail – 11'-5"; 9'-9"
- Side Heights Available – 40"; 50"
- Cu. Yd. Cap. - 11'-5"x50"=12.8; 11'5"x40"=10.2; 9'-9"x50"=11.3; 9'-9"x40"= 9.0
- Weight , 11'-5" – 1,913 lbs; 9'-9" - 1,655 lbs
- Type Hoist – double acting, NTEA CL C7 scissor with subframe, pendant control
- Dump Capacity – 11'-5" - 16,600 #; 9'-9" – 17,000#
- Floor – 2-3/8" high, extruded T6 alloy aluminum planks, 3/16" thick top surface, with stiffeners on 5" centers
- Body fully assembled from factory
- Longsills - T6 alloy 7" H-beam
- Rubrail 5-1/2" tall T6 alloy aluminum extrusion
- Full-height, solid rear barndoors
- All body & mounting hardware except shear plates stainless steel
- All doors may be easily removed
- F M V S S compliant markers with harness
- Tailgate chains have sleeve protectors

CONSTRUCTION

- Welded 5052 H32 sheet aluminum sides & stiffeners
- Side stiffeners on 20" centers
- Sides & stiffeners mat'l thickness .125"(1/8")
- All Corners thickness - .188"(3/16")
- All swinging doors have tie-backs

OPTIONS

- Side Access Door– 49" wide, passenger side, front
- 40" Cabguard with 6 tie-downs load capacity – 200 lbs
- Two way, top-drop Tailgate; single handle top-drop with 1" dia bushed top pins.
- Top-drop tailgate, 20" high & includes 30" high perforated upper barndoors on 50" sides, 20" high upper barndoors on 40" sides
- Bail-operated coal chute avail in two way tailgate
- Roll Tarp assembly of mesh Lumite®
- Roll Tarp assembly with chain drive & free unwind

Date May 25, 2018

**7,000 LB DUMP
 CAPACITY FLATBED
 WITH FRONT
 MOUNT
 TELE HOIST***

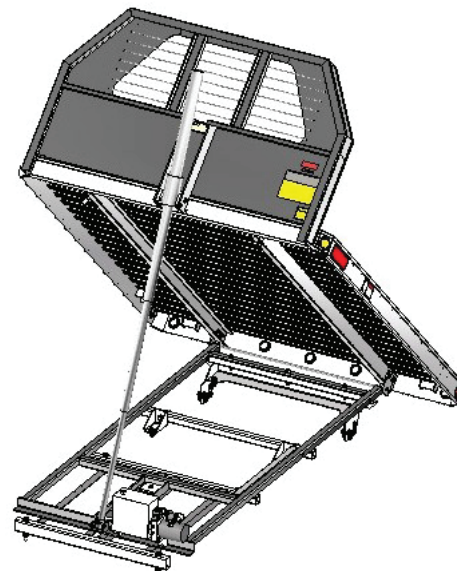
ARROW Dealer Price Sheet

TC-508 ALUMINUM DUMP FLAT

Size P/N + (W" x L")	BED LENGTH REPLACED	Truck C.A.	LIST PRICE
D1-06195 81 X 80	6'-8" Ford	40" Ford	\$5,935.00
D1-06196 81 X 80	6'-3" Dodge	37" Dodge	\$5,935.00
D1-06197 81 X 80	6'-8" GM	40" GM	\$5,935.00
D1-06088 81 X 100	8' Ford	56	\$6,039.00
D1-06193 81 X 100	8' Dodge	56	\$6,039.00
D1-06194 81 X 100	8' GM	56	\$6,039.00

STANDARD FEATURES - all ARROW MODELS

- 100% T-6 Alloy construction – 8' model weighs less than your take-off bed (avg take-off 800 lb vs. 685# for Arrow)
- Welded-on bulkhead w/window protection included
- Comes with truck-specific mounting kit and hardware
- Lined stake pockets provided in top rails
- Dump angle maximum – 8' = 47 deg., 6.5' = 55 deg
- *Telescopic hoist provides 7,000 lb dump capacity
- Frame to top-of-deck height is 10.5" to provide tire clearance, but keep side profile low
- LED marker lights with harness - factory installed
- Mounts with hand tools – some drilling may be required
- Includes power wiring, hydraulic pump, telescopic cylinder
- Factory painted, assembled and tested



OPTIONAL EQUIPMENT :

D3-08030 20"x20" Trapdoor

Center of door approximately 1.5" in front of axle centerline

C1-03198 SRW white TruckCraft logo mudflaps & brackets (16" x 30")

B4-01366 D-Rings; 6,000 lb cap, recessed in floor, swiveling; installed

D2-06106 Bolt-on bumper & hitch plate-Ford (112 lb)

D2-06231 Bolt-on bumper & hitch plate-GM (132 lb)

D2-05564 Tarp Kit

LIST PRICE

\$243.00

\$ 87.00

\$115.00

\$655.00

\$655.00

\$382.00



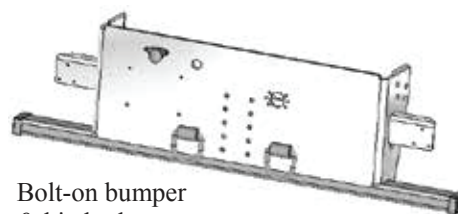
Trapdoor



Mudflap
w/ Bracket



D-Ring



Bolt-on bumper
& hitch plate



OPTIONAL EQUIPMENT (CONTINUED);

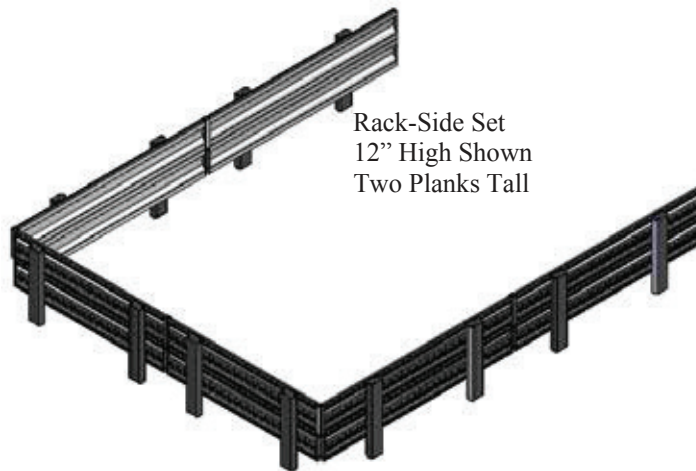
DROP SIDES SETS: Factory installed kit includes 12" or 18" high extruded T-6 alloy drop sides, tailgate, corner bolsters with all stainless hardware, hinges, pins, etc. Can be installed on existing TC-508s. See "ALUMINUM DROP SIDES" sheet on Page 28 & 29 for a complete listing of all Drop Side Sets available and pricing.

Drop-Side Set
w/ Hinged Tailgate



Note: Cabguard
is not included
in this option.

RACK SIDE SETS- 6 pcs LIFT OUT SIDES & REARS - factory installed
Available in 6", 12" or 18" Tall side and rear sections. See Page 26 & 27 for a complete listing of all Rack Side Sets available and pricing.



Rack-Side Set
12" High Shown
Two Planks Tall

RATING: TruckCraft TC-508 ARROW deck is rated at 200 lbs s/f level load

Terms: 1.5% - 10, Net 30 with approved credit.

F.O.B. TruckCraft factory, Chambersburg, PA

Warranty: TruckCraft TC-508 ARROW is warranted for a period of one year against defects in materials and workmanship.

TruckCraft reserves the right to make product changes without prior notice
*Do Not Exceed The Manufacturer's GVWR Rating Of Your Vehicle

Date May 25, 2018

**NOW AVAILABLE WITH
30,000 LB CAP.
TOW BALL
SEE PAGE 37**

STARLIFTER

Dealer Price Sheet

TC-510, 515, 520, 530 & 540

PRE-ASSEMBLED ALUMINUM DUMPING FLATS

Available with trap-door & 30K lb cap'y goose-neck ball - See Pg 37

TC-510 STARLIFTER SRW Chassis 81" X 115" (9'-7")

For 60" C.A. Veh; 9,500 lb Hoist Cap; NTEA HOIST CL B; 6" Alum Stringer; Unit Wt-810 lbs
11.5" Mounted Height

P/N LIST PRICE
D1-04724 + (W & L) \$5,354.00

TC-510 STARLIFTER DRW Chassis 96" X 115" (9'-7")

For 60" C.A. Veh; 9,500 lb Hoist Cap; NTEA HOIST CL B; 6" Alum Stringer; Unit Wt-857 lbs
11.5" Mounted Height

P/N LIST PRICE
D1-04724 + (W & L) \$5,593.00

TC-515 STARLIFTER SRW Pickup 81" X 105" (8'-9")

For 56" C.A. Veh; 9,500 lb Hoist Cap; NTEA Hoist CL B; 6" Alum Stringer; Unit Wt-785 lbs

P/N SRW Pickup Model LIST PRICE
D1-04782 + (W & L) \$5,341.00

TC-515 STARLIFTER DRW Pickup 96" X 105" (8'-9")

For 56" C.A. Veh; 9,500 lb Hoist Cap; NTEA Hoist CL B; 6" Alum Stringer; Unit Wt-826 lbs

P/N DRW Pickup Model LIST PRICE
D1-04782 + (W & L) \$5,505.00

TC-520 STARLIFTER 96" W X 110" Ford(9'-2") or 115" Ram(9'-7") L

For 60" C.A. Veh; 17,000 LB Hoist Cap, NTEA CL C; 7" Alum Stringer; Unit Wt - 1,036 LBS

P/N LIST PRICE
D1-04683 + (W & L) \$6,430.00

TC-530 STARLIFTER 96" W X 135" (11'-3"), 140" (11'-8") or 145" (12'-1") L

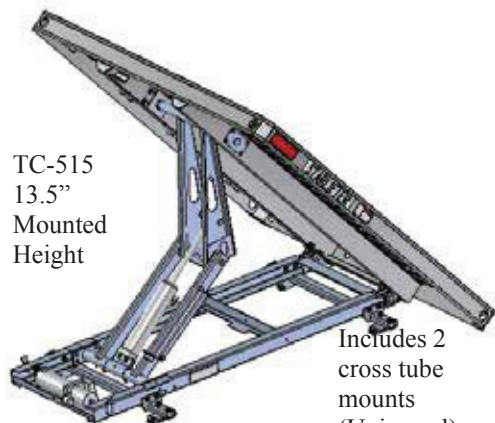
For 84" C.A. Veh; 15,000 LB Hoist Cap, NTEA CL C; 7" Alum Stringer; Unit Wt - 1,150 LBS

P/N LIST PRICE
D1-04561 + (W & L) \$7,122.00

TC-530 STARLIFTER 85" W X 140" with Sprinter Mounting
D1-06267 + (85 & 140) \$7,456.00



TC-510
11.5"
Mounted
Height



TC-515
13.5"
Mounted
Height

Includes 2
cross tube
mounts
(Universal)



TC-520 &
TC-530
12.5"
Mounted
Height

TC-530 Shown
with Sub-Frame
Extension

TRUCKCRAFT

Date May 25, 2018

TC-540 STARLIFTER

96"X 170" (14'-2")

For 120" C.A. Veh; 13,600 LB Hoist Cap, NTEA CL C; 7" Alum Stringer; Unit Wt - 1,190 LBS

P/N

D1-04791 + (W & L)

LIST PRICE

\$7,941.00



TC-540
12.5"
Mounted
Height

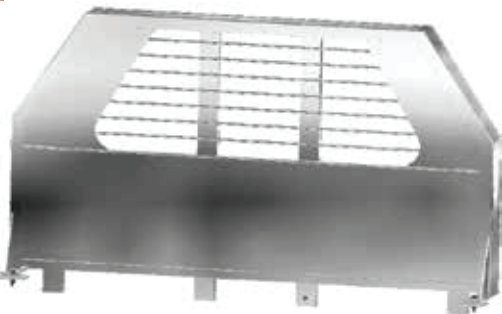
OPTIONAL EQUIPMENT:

Tailboards: See TC-500 & TC-501 "OPTIONAL EQUIPMENT" Page 20.

Cabguards: See "CABGUARDS" Page 23.

Drop Side Sets: See "ALUMINUM DROP SIDE SETS" Pages 28 & 29.

See TC-500 & TC-501 "OPTIONAL EQUIPMENT" Pages 20-22 for more options.

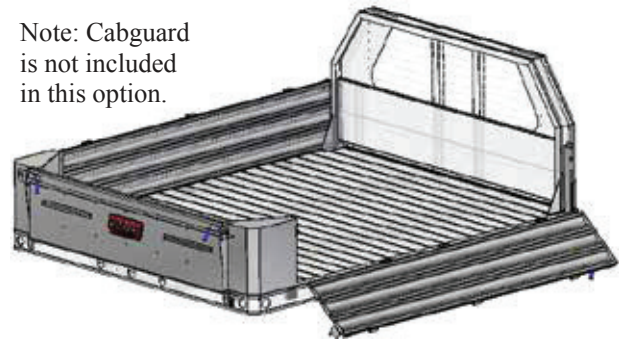


35.5" High Cabguard
recommended for most
STARLIFTERS



Tailboard

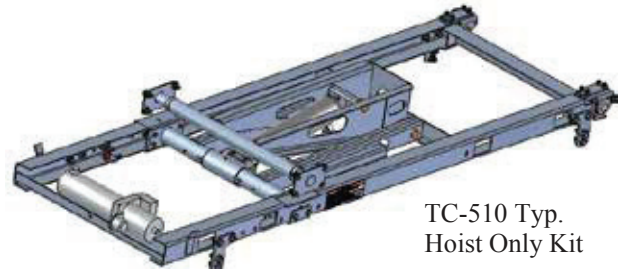
Note: Cabguard
is not included
in this option.



HOIST ONLY Includes subframe, power unit, cylinder, hinges, shearplates, hdw.

Also avail with **reversed hoist with 30,000 lb cap'y tow-ball** - See Pg 38

<u>P/N</u>	<u>ITEM</u>	<u>CAPACITY</u>	<u>LIST PRICE</u>
D1-04827	TC-510	9,500 lb cap	\$3,817.00
D1-06676	TC-515	9,500 lb cap	\$3,743.00
D1-04828	TC-520	17,000 lb cap	\$4,134.00
D1-04829	TC-530	15,000 lb cap	\$4,465.00



TC-510 Typ.
 Hoist Only Kit

TC-520, 530 & 540 Hoists have 5" cyl. bore, 20" stroke; TC-510 & 515 have 4" cyl bore, 16" stroke. All **STARLIFTERS** use 3,200 P.S.I. pump pressure setting.

All **STARLIFTER** dumping **ALUMINUM FLATS** come pre-assembled to painted subframe & double-acting hoist, include **BUCHER™** power unit, **FMVSS** LED marker lights & wiring harness, battery cable w/circuit breaker, and remote pendant.

MOUNTING: TC-510 & 520 includes 4 pre-drilled shear plates & hdw, TC-530 & 540 includes 6. TC-515 comes with 3 painted cross-mount tubes that are adjustable to fit frames from 37.5" wide to 45" wide.

F.O.B. TruckCraft factory, Chambersburg, PA
Terms: 1.5% - 10, Net 30 with approved credit

Warranty: TruckCraft **STARLIFTERS** are warranted for a period of 2 full years against defects in materials and workmanship.

Date May 25, 2018

STARLIFTER REVERSED HOIST

Dealer Price Sheet

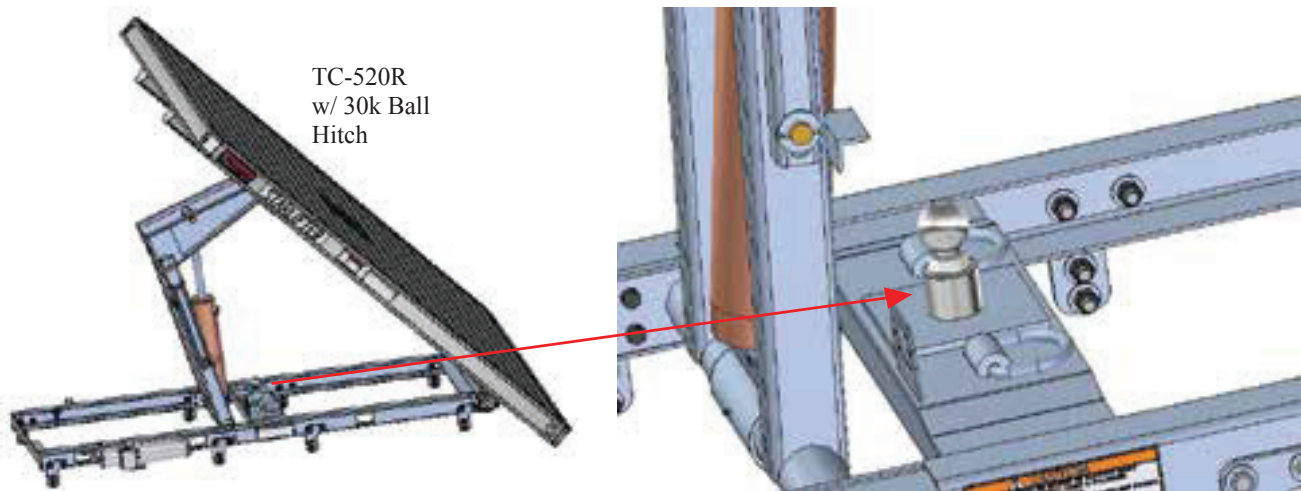
TC-510R, 515R, 520R, 530R, &540R

Pre-Assembled Aluminum Dumping Flats w/tow ball

Reversed hoist dumping flats maintain all the capacity and features of the standard TC-510 through TC-540 products. However, the mounting of the hoist to the subframe is reversed to make room for a tow-ball. A high strength structural steel cross member with D-rings is welded to the subframe behind the hoist and a forged 30K cap tow ball is bolted through the cross member. Additional mounting brackets are provided to transfer the hitch loads to the frame.

P/N	ITEM	LIST PRICE
D1-06190 + (W + L)	TC-510R SRW	\$5,986.00
D1-06190 + (W + L)	TC-510R DRW	\$6,217.00
D1-05969 + (W + L)	TC-515R SRW	\$5,920.00
D1-05969 + (W + L)	TC-515R DRW	\$6,080.00
D1-05941 + (W + L)	TC-520R	\$7,023.00
D1-06191 + (W + L)	TC-530R	\$7,688.00
D1-06192 + (W + L)	TC-540R	\$8,491.00

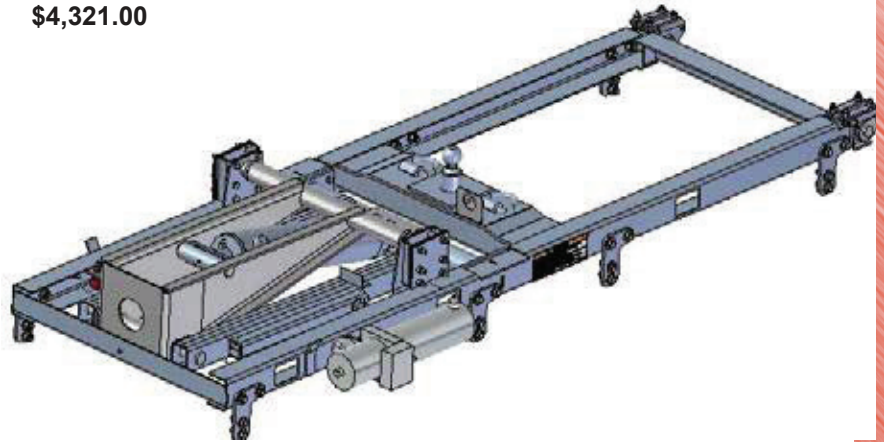
See **STARLIFTER** Price Sheet for a complete listing of available widths and lengths.



Date May 25, 2018

REVERSE HOIST ONLY Includes subframe, power unit, cylinder, shearplates, Forged 2-5/16" ball, hardware – everything except your longsills & flatbed - 6" long sill height recommended

P/N	ITEM		LIST PRICE
D1-06292	TC-510R	9,500 lb cap	\$3,749.00
D1-xxxxx	TC-515R	9,500 lb cap	\$3,981.00
D1-06293	TC-520R	17,000 lb cap	\$4,146.00
D1-06294	TC-530R	15,000 lb cap	\$4,321.00



See TC-510 through TC-540 & TC-500/TC-501 FLATS price sheets for additional options and pricing

TC-520R, 530R & 540R Hoists have 5" cyl. bore, 20" stroke; TC-510R & 515R have 4" cyl bore, 16" stroke.
All **STARLIFTERS** use 3,200 P.S.I. pump pressure setting.

All **STARLIFTER** dumping ALUMINUM FLATS come pre-assembled to painted subframe & double-acting hoist, include **BUCHER™** power unit, FMVSS LED marker lights & wiring harness, battery cable w/circuit breaker, and remote pendant.

MOUNTING: TC-510R & 520R includes 6 pre-drilled shear plates & hdw, TC-530R & 540R include 8 pre-drilled shear plates & hdw. TC-515R comes with 4 painted cross-mount tubes that are brand specific.

F.O.B. TruckCraft factory, Chambersburg, PA

Terms: 1.5% - 10, Net 30 with approved credit

Warranty: TruckCraft **STARLIFTERS** are warranted for a period of 2 full years against defects in materials and workmanship.

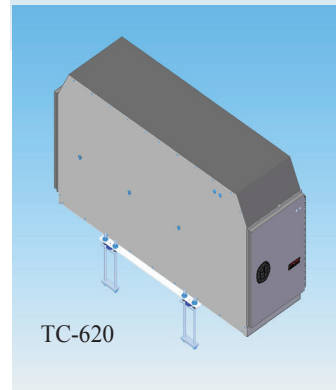
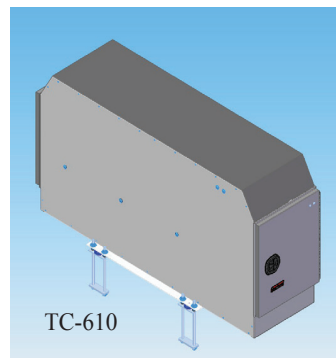
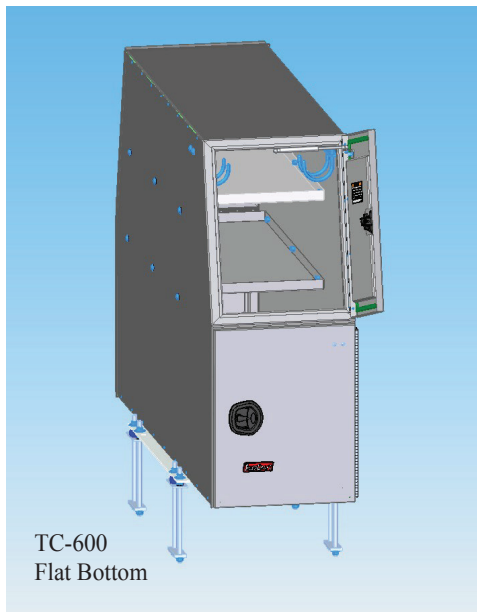
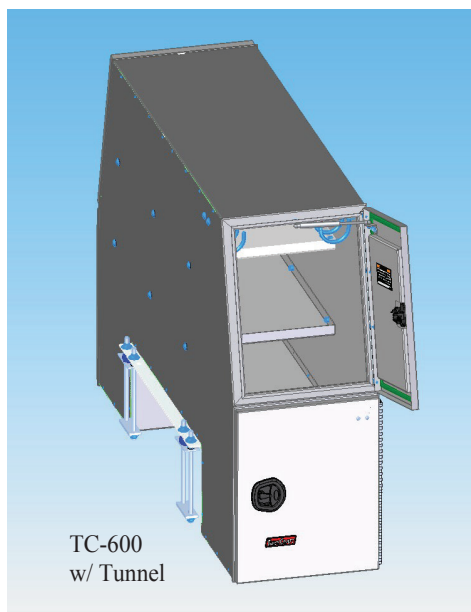


Date May 25, 2018

REDESIGN
PLUS
NEW QTY
DISCOUNTS FOR
2017

SPACE PAK
Dealer Price Sheet
TC-600 Series
ALUMINUM STORAGE COMPARTMENTS

<u>PART No.</u>	<u>DESCRIPTION</u>	<u>WT</u>	<u>LIST PRICE</u>
D1-08087	TC-600 4 dr w/tunnel 60hx24dx87w; 62 Cu. Ft. Storage; 315 lb Two Shelves; 26.75"H x 20.5"W Clear Door Openings; incl mounting kit		\$4,240.00
D1-08135	TC-600 4 dr flat-bot 60hx24dx87w; 68 Cu. Ft. Storage; 320 lb Two Shelves; 26.75"H x 20.5"W Clear Door Openings; includes mounting kit		\$4,240.00
D1-08143	TC-610 2 dr flat-bot 46hx24dx87w; 52 Cu. Ft. Storage; 256 lb One Shelf; 26.75"H x 20.5"W Clear Door Openings; includes mounting kit		\$2,869.00
D1-08169	TC-620 2 dr flat-bot 42hx24dx87w; 47 Cu. Ft. Storage; 244 lb One Shelf; 26.75"H x 20.5"W Clear Door Openings; includes mounting kit		\$2,869.00



Installation Note: Do Not Mount **SPACE PAK** rigidly to truck frame.

Crating fee (Palletizing for van shipment) 1 TO 3 PCS ----- \$44.00

All prices F.O.B. TruckCraft factory, Chambersburg, PA

Terms: 1.5% -10, Net 30 with approved credit

Warranty: TruckCraft warrants materials and workmanship on all TC-600 Series products for a period of 2 full years from installation or date of sale to end-user. Wty void if compartment improperly mounted to truck frame. The best care and manufacturing methods are used to prevent water entry into any TruckCraft storage compartment, but no claim is made as to complete water-tightness of any TruckCraft product.



