

ATTACHMENTS

SKID STEER & COMPACT TRACK LOADERS
LOADER BACKHOES | WHEEL LOADERS | TELEHANDLERS

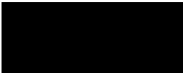









ATTACHMENTS

SKID STEER & COMPACT TRACK LOADERS
LOADER BACKHOES | WHEEL LOADERS | TELEHANDLERS



TABLE OF CONTENTS

General Information	GI-1	
Skid Steer Loaders/Compact Track Loaders	SS-1	
Loader Backhoes	LBH-1	
Compact Wheel Loaders	CWL-1	
Wheel Loaders	WL-1	
Mini-excavators	MHEX-1	
Telehandlers	TLH-1	
Manufacturer's Warranties	MW-1	

GENERAL INFORMATION







GENERAL INFORMATION

ATTACHMENT CLASSIFICATIONS

Attachments are classified as follows:

1. **Stocking** – Stocking attachments are held in inventory and shipped from Adrian, Michigan, or Prince Albert, SK, for immediate availability for dealers. Stocking attachments are generally fast moving attachments. If a “stocking attachment” is unavailable from Adrian, the resulting backorder will be shipped direct to the dealer from the manufacturer as soon as it becomes available. Consult the appropriate Attachments Program in effect for specific information regarding service fees/in lieu of freight. Attachments shipped direct from the manufacturer will not carry any additional service, handling, or freight charges.
2. **Non-Stocking** – Non-stocking items are generally built to order by the manufacturer and are shipped based on “first in first out” (FIFO), and are drop shipped from the manufacturing plant to the dealer. Lead times for non-stocking attachments vary depending upon the current manufacturing schedule.

ORDER FOLLOW-UP

To check availability or shipment status, contact Inside Sales at 1-855-CNH-PART (1-855-264-7278) option #2.

UPDATES TO CATALOG

Revised catalog is printed once a year (typically during first quarter) and placed at the Document Management Center (DMC) for ordering.

Throughout the year, revisions are made to the digital version of the catalog, which can be accessed on the Dealer Portal: [Wholegoods > Product Information > Attachments](#)

ATTACHMENTS PROGRAMS

Direct From Supplier (DFS): All Skid Steer Loader, Compact Track Loader, Loader Backhoe, Compact Wheel Loader, Wheel Loader, Mini-Excavator and Telehandler attachments.

Ordering Information and Support

Contact Inside Sales: 1-855-CNH-PART (1-855-264-7278) option #2.

Product Offering

All attachments in the New Holland Construction Attachments Catalog.

NEW HOLLAND OEM ATTACHMENT ADVANTAGE

Our OEM attachments are tested and configured to match OEM specifications to deliver performance and fit. OEM attachments are plug and play: meaning our engineers make sure the connections and configurations are ready from the start and avoid retrofits – saving customers time and money.

Attachments Will Call Program

For dealers picking up attachments directly from select manufacturer locations. Contact Inside Sales at 1-855-CNH-PART (1-855-264-7278) option #2.

Will Call orders must be placed by phone with Inside Sales, Inside Sales will enter the order with the appropriate program.

Dealer ordering attachments from a single location – Delhi, IA, Dexter, MI, Adrian, MI, or Prince Albert, SK, may elect to schedule pick up of their order either via their own company vehicle or by a third party carrier which bills freight directly to the dealer.

Will Call orders for pick up in Adrian, MI and Prince Albert, SK, for items in stock at these facilities. A standard Direct From Supplier (DFS) order service fee will be offset with 3% additional cash discount.



GENERAL INFORMATION

QUICK REFERENCE GUIDE

- Surcharges: Some DFS programs will continue to charge a fee to cover freight or provide a discount for will call. This fee or discount is calculated against the net price after any discounts have been taken.
- DFS attachments can be combined with your daily depot stock order, but they will not count towards the \$800 minimum for free freight from the depot.
- Orders with Terms (Order Type 56): For DFS attachments we have provided a terms option.

For order placements, use ordering levels defined below	2018 Commitment Level (USD*)		Commitment Discount	
	\$75,000 - \$124,999		3%	
	\$125,000 - \$249,999		4%	
	\$250,000+		5%	

	Ordering Levels (USD*)	Service Fee	Freight Charge	Terms	Cash Discount
Order Type 54 – Cash Order Type 56 - Terms	\$1 - \$14,999	3%	No	N/A	0%
	\$15,000 - \$24,999	3%	No	T1 (3 equal)	1%
	\$25,000+	3%	No	T4 (Ext, 6)	2%

* Ordering Levels will only be in US Dollars. The order level for Canadian dealers will be based on the current market exchange rate, which will update monthly.

The 3% service fee will be waived on will call orders: Contact Parts Sales Support Team at 855-CNH-PARTS (855-264-7278), press 2 or email at na-parts-sales-support@cnhind.com.

Eligible Product:

- Only DFS (Direct from Supplier) product available in the CE Attachment program are eligible for commitment discounts (DFS CE Attachments are under MPL 390, excludes Sectional Snow Pushers)
- The annual commitment volume is based on all DFS attachment purchases including:
 - All-Makes DFS Attachments – BE Braber
 - Sectional Snow Pusher – Arctic

SKID STEER LOADERS/ COMPACT TRACK LOADERS







INDEX

SKID STEER LOADERS/COMPACT TRACK LOADERS

LS120, L120/LS125, L125 Attachments	SS-2-6	Mulcher	SS-48
Adapter Plate	SS-7	Pallet Fork	SS-49-50
Auger	SS-8-10	Pallet Fork - Hydraulic Positioning	SS-51
Auto Rake	SS-11	Post Driver	SS-52
Backhoe	SS-12	Post Puller	SS-53
Backhoe Options & Accessories	SS-13-15	Preparator® Landscape Rake	SS-54-55
Backhoe Specifications	SS-16	Rear Stabilizer	SS-56-57
Bale Handler	SS-17	Rock Bucket	SS-58
Bale Spear	SS-18	Rock Saw	SS-59-60
Broom, Angle	SS-19	Root Rake	SS-61
Broom, Hopper	SS-20	Rotary Cutter, Ammbusher	SS-62
Broom, Pick-Up		Rotary Cutter, Extreme	SS-63
Standard and VS Vacuum	SS-21	Rotary Cutter, Paladin	SS-64
Bucket, 4X1 (Utility)	SS-22	Silage Defacer	SS-65
Bucket, 4X1 (Construction)	SS-23	Silt Fence Installer	SS-66
Bucket, Power Side Discharge	SS-24	Skid Hoe	SS-67
Chipper	SS-25	Snow Blade (Standard Duty)	SS-68
Cold Planer, High Flow	SS-26-27	Snow Blade (Heavy Duty)	SS-69
Cold Planer, Standard Flow	SS-28	Snow Blade, Trip Edge	SS-70
Cold Planer - Specifications	SS-29	Snow Blower, High Flow	SS-71-72
Cold Planer, LT Series	SS-30-31	Snow Blower, Standard Flow	SS-73
Concrete Bucket	SS-32	Snow Bucket	SS-74
Concrete Claw	SS-33	Snow Push	SS-75
Dozer Blade	SS-34	Snow Push - Sectional	SS-76
Grader Rake	SS-35	Stump Grinder	SS-77-78
Grapple, Brush Construction	SS-36	Three-Point Hitch	SS-79
Grapple, Brush Utility	SS-37	Tiller	SS-80
Grapple, Log	SS-38	Tilt-Attach	SS-81
Grapple, Scrap Construction	SS-39	Tracks, Steel	SS-82
Grapple, Scrap Utility	SS-40	Tree Shovel	SS-83
Harley Power Box Rake®	SS-41	Tree Spade	SS-84-85
Hydraulic Hammer	SS-42-43	Trencher	SS-86-88
Lift Boom	SS-44	Vibratory Roller (Padfoot Drum)	SS-89
Load Monitor	SS-45	Vibratory Roller (Smooth Drum)	SS-90
Manure Fork & Manure Fork With Grapple ...	SS-46	Water Kit	SS-91
Manure Scraper	SS-47		



LS120, L120/LS125, L125 ATTACHMENTS

SKID STEER LOADERS/COMPACT TRACK LOADERS

All attachments include LS120/LS125 mounting bracket. Hydraulic attachments include hoses and quick couplers.

AUXILIARY BOOM HYDRAULICS REQUIRED	PART NUMBER	WEIGHT LB
42" 4X1 Bucket for LS120, LS125, L120, L125	87041242	268

- 5 cu. ft. capacity
- 3 carbon steel blades

	PART NUMBER	WEIGHT LB
Pallet Fork for LS120, LS125, L120, L125	87041244	165

- 30" shaft mount forks
- Adjustable, self-leveling forks

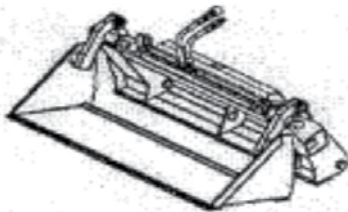
AUXILIARY BOOM HYDRAULICS REQUIRED	PART NUMBER	WEIGHT LB
Nursery Fork for LS120, LS125, L120, L125	87041245	175

- Grabs up to 36" dia. tree ball
- Single Hydraulically actuated fork
- 32" reach

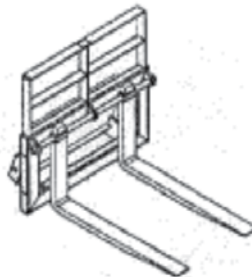
	PART NUMBER	WEIGHT LB
Leveler/Carrier for LS120, LS125, L120, L125	87041257	146

- Grades and backfills
- 49" X 36" platform
- Sifts material
- Carry-all usage

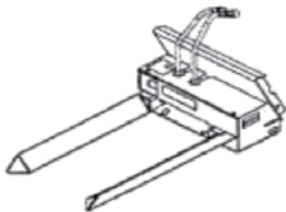
42" 4 in 1 Bucket



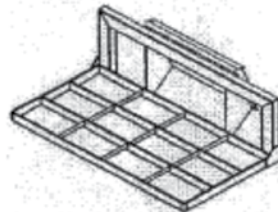
Pallet Fork



Nursery Fork



Leveler/Carrier



LS120, L120/LS125, L125 Attachments (Continued next page)



LS120, L120/LS125, L125 ATTACHMENTS

SKID STEER LOADERS/COMPACT TRACK LOADERS

All attachments include LS120/LS125 mounting bracket. Hydraulic attachments include hoses and quick couplers.

AUXILIARY BOOM HYDRAULICS REQUIRED	PART NUMBER	WEIGHT LB
48" Dozer Blade for LS120, LS125, L120, L125	87041260	190

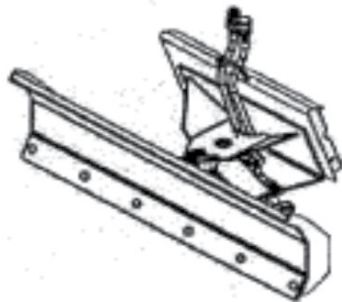
- Gravel and dirt grading
- Snow removal
- 4-sided wear edge
- Hydraulic angling

AUXILIARY BOOM HYDRAULICS REQUIRED	PART NUMBER	WEIGHT LB
Auger Drive - 2" Hex Drive for LS120, LS125, L120, L125	87041261	175
Auger Drive - 2-9/16" Round Drive for LS120, LS125, L120, L125	87041262	175

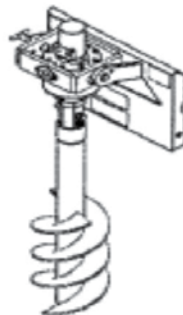
- 2" Hex or 2-9/16" round drive
- Planetary drive
- Use up to 12" dia. auger (not included, see below)

COMPLETING PACKAGES	PART NUMBER	WEIGHT LB
6" Auger HDF type, 2" hex drive	9863626	40
9" Auger HDF type, 2" hex drive	9863627	86
12" Auger HDF type, 2" hex drive	9863628	115
6" Auger HDF type, 2-9/16" round drive	9863606	40
9" Auger HDF type, 2-9/16" round drive	9863607	86
12" Auger HDF type, 2-9/16" round drive	9863608	115

48" Dozer Blade



Auger Drive



LS120, L120/LS125, L125 Attachments (Continued next page)



LS120, L120/LS125, L125 ATTACHMENTS

SKID STEER LOADERS/COMPACT TRACK LOADERS

All attachments include LS120/LS125 mounting bracket. Hydraulic attachments include hoses and quick couplers.

AUXILIARY BOOM HYDRAULICS REQUIRED	PART NUMBER	WEIGHT LB
42" Scrap Grapple for LS120, LS125, L120, L125	87045464	335

- Grease zerks at all pivot points
- Replaceable wear bushings on the grapple pivots
- Removable grapple

	PART NUMBER	WEIGHT LB
42" Rock Bucket for LS120, LS125, L120, L125	87045465	152

- 1-1/8" dia. high strength alloy tines
- 2" spacing between tines

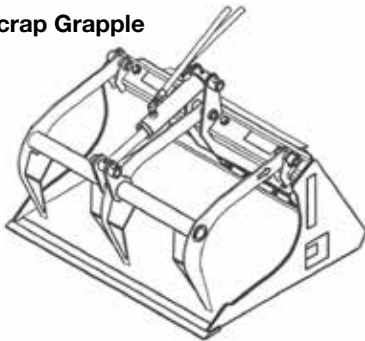
	PART NUMBER	WEIGHT LB
Attachment Mount Adapter Bracket for LS120, LS125, L120, L125 (fits over existing mount bracket)	87311519	60

- Fits over existing mount bracket to pick up common attachments offered for mini stand-on/walk-behind loaders (such as Toro Dingo)
- Not required for any attachments offered by New Holland for LS120/LS125

	PART NUMBER	WEIGHT LB
Attachment Mount Conversion Bracket	87311520	52

- Replaces existing mount bracket to pick up common attachments offered for mini stand-on/walk-behind loaders (such as Toro Dingo)
- Cannot be used for any attachments offered by New Holland for LS120/LS125

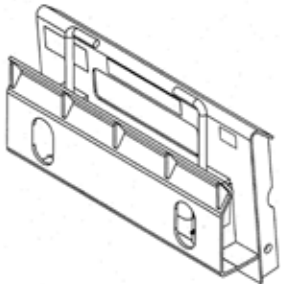
42" Scrap Grapple



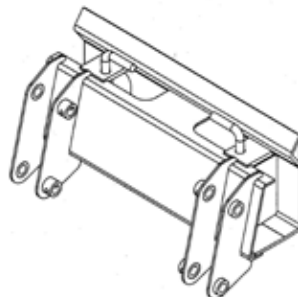
42" Rock Bucket



Attachment Mount Adapter Bracket



Attachment Mount Conversion Bracket



LS120, L120/LS125, L125 Attachments (Continued next page)



LS120, L120/LS125, L125 ATTACHMENTS

SKID STEER LOADERS/COMPACT TRACK LOADERS

All attachments include LS120/LS125 mounting bracket. Hydraulic attachments include hoses and quick couplers.

	PART NUMBER	WEIGHT LB
43" FORK - less grapple for L120, L125	87488568	174
43" FORK - with grapple for L120, L125 - Auxiliary hydraulics required.	86640923	292

- 6 detachable tines
- Handles loose material like hay, straw, limbs, etc.

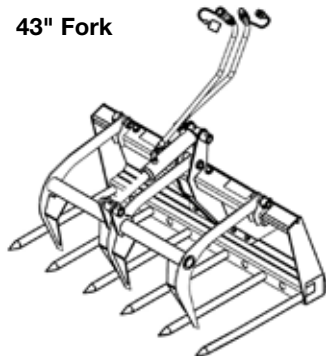
	PART NUMBER	WEIGHT LB
TREE SHOVEL for L120, L125	87488569	185

- 20" for digging, transplanting, loading, or placing trees

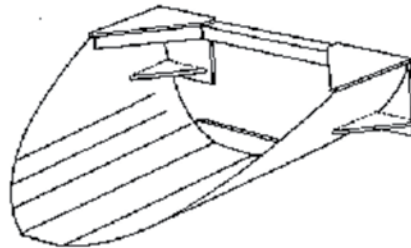
AUXILIARY BOOM HYDRAULICS REQUIRED	PART NUMBER	WEIGHT LB
42" BRUSH GRAPPLE for L120, L125 - Auxiliary hydraulics required.	87488570	270

- Light brush clearing and debris clean up

43" Fork



Tree Shovel



42" Brush Grapple



LS120, L120/LS125, L125 Attachments (Continued next page)



LS120, L120/LS125, L125 ATTACHMENTS

SKID STEER LOADERS/COMPACT TRACK LOADERS

All attachments include LS120/LS125 mounting bracket. Hydraulic attachments include hoses and quick couplers.

	PART NUMBER	WEIGHT LB
50" Light Material Bucket for LS120, LS125, L120, L125	87041240	212

- Use for snow and other light materials
- 8.4 cu ft. struck capacity

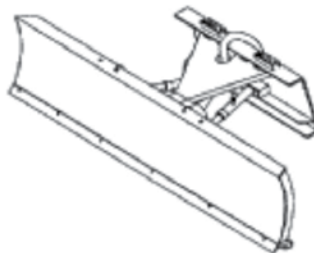
AUXILIARY BOOM HYDRAULICS REQUIRED	PART NUMBER	WEIGHT LB
60" Snow Blade for LS120, LS125, L120, L125	87041241	450

- Hydraulic angling
- Spring trip

50" Light Material Bucket



60" Snow Blade





ADAPTER PLATE

SKID STEER LOADERS/COMPACT TRACK LOADERS

	PART NUMBER	WEIGHT LB
ADAPTER, SSL ATTACHMENT BLANK, Standard	84397477	75
ADAPTER, SSL ATTACHMENT BLANK, Heavy Duty	84397478	123

MODEL COMPATIBILITY	L213	L215	L216	L218	L220	L221	L223	L225	L228	L230	L234		C227		C232	C234	C237	C238	REQ'D EQUIPMENT						
	L150	L160	L170	L175	L180	L185	L190	C175			C185	C190							STD FLOW	HIGH FLOW	CASE DRAIN	FRONT ELEC	DEMO DOOR	2ND AUX	
ADAPTER PLATE – Standard	•	•	•																						
ADAPTER PLATE – Heavy Duty	•	•	•	•	•	•	•	•	•	•	•	•	•	•	•	•	•	•							

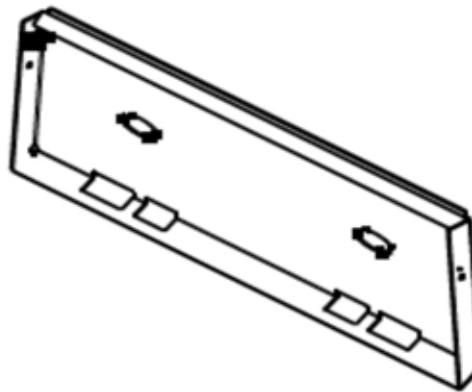
FEATURES

- Standard - 1/4" steel construction
- Heavy Duty - 3/8" construction with reinforced upper hitch bar

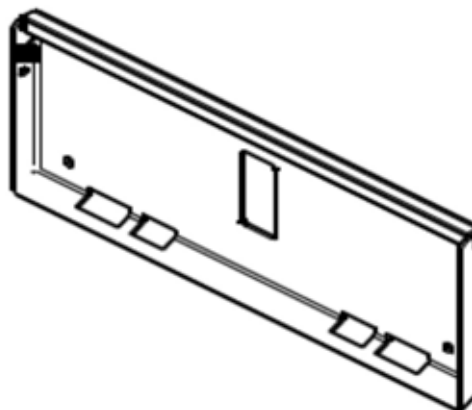
APPLICATIONS

- Used to adapt special attachments to skid steer coupler

Standard Duty



Heavy Duty





AUGER

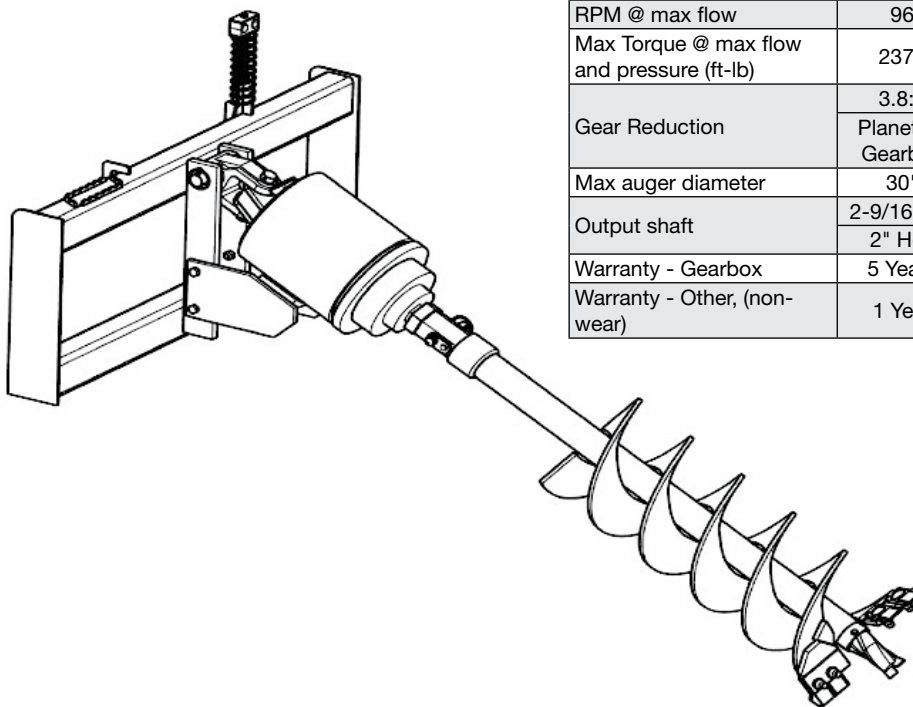
SKID STEER LOADERS/COMPACT TRACK LOADERS

PLANETARY DRIVE BASE UNIT – includes mounting bracket, auger drive head, hoses and quick disconnects.
 Must order bit for complete unit.

	PART NUMBER	WEIGHT LB
X1475R256 Drive Unit, 2-9/16" round output shaft	86977896	457
X1475H200 Drive Unit, 2" hex output shaft	86977897	457
X1975R256 Drive Unit, 2-9/16" round output shaft	86977899	457
X1975H200 Drive Unit, 2" hex output shaft	86977900	457
X2475H200 Drive Unit, 2" hex output shaft	47898619	457
X5075H200 Drive Unit, 2" hex output shaft (requires high flow)	87488582	586

MODEL COMPATIBILITY	L213	L215	L216		L218	L220	L221	L223	L225	L228		L230	L234		C227		C232	C234	C238	REQ'D EQUIPMENT						
	L150	L160	L170	L175							L180	L185		L190	C175		C185	C190		STD FLOW	HIGH FLOW	CASE DRAIN	MFH	DEMO DOOR	2ND AUX	
AUGER DRIVE, X1475	•	•	•	•	•	•	•	•	•	•	•	•	•	•	•	•	•	•	•	R						
AUGER DRIVE, X1975		•	•	•	•	•	•	•	•	•	•	•	•	•	•	•	•	•	•	R						
AUGER DRIVE, X2475								•	•	•	•	•	•	•	•	•	•	•	•	R	*					
AUGER DRIVE, X5075				•	•	•	•	•	•	•	•	•	•	•	•	•	•	•	•		R	R				

* X2475 may be operated as high flow up to 35 gpm



SPECIFICATIONS				
Auger Model	X1475	X1975	X2475	X5075
Flow (gpm)	10 - 25	15 - 30	20 - 35	28 - 40
RPM @ max flow	96	100	73	85
Max Torque @ max flow and pressure (ft-lb)	2377	2769	3451	5069
Gear Reduction	3.8:1	3.8:1	3.8:1	6.1:1
	Planetary Gearbox	Planetary Gearbox	Planetary Gearbox	Planetary Gearbox
Max auger diameter	30"	36"	36"	36"
Output shaft	2-9/16" Rd	2-9/16" Rd	2" Hex	2" Hex
	2" Hex	2" Hex		
Warranty - Gearbox	5 Years	5 Years	5 Years	5 Years
Warranty - Other, (non-wear)	1 Year	1 Year	1 Year	1 Year

Auger Options (Continued next page)



AUGER

SKID STEER LOADERS/COMPACT TRACK LOADERS

AUGER OPTIONS

HDF STYLE AUGERS	PART NUMBER	WEIGHT LB
2-9/16" Round Coupler		
6" X 4' Auger bit	9863606	42
9" X 4' Auger bit	9863607	86
12" X 4' Auger bit	9863608	115
15" X 4' Auger bit	9863609	131
18" X 4' Auger bit	9863610	176
24" X 4' Auger bit	9863611	278
30" X 4' Auger bit	9863612	325
36" X 4' Auger bit	9863613	443

HDF STYLE AUGERS	PART NUMBER	WEIGHT LB
2" Hex Coupler		
6" X 4' Auger bit	9863626	42
9" X 4' Auger bit	9863627	86
12" X 4' Auger bit	9863628	115
15" X 4' Auger bit	9863629	131
18" X 4' Auger bit	9863630	176
24" X 4' Auger bit	9863631	278
30" X 4' Auger bit	9863632	325
36" X 4' Auger bit	9863633	443

HDC STYLE AUGERS	PART NUMBER	WEIGHT LB
2-9/16" Round Coupler		
6" X 4' Auger bit	9863614	45
9" X 4' Auger bit	9863615	98
12" X 4' Auger bit	9863616	128
15" X 4' Auger bit	9863617	139
18" X 4' Auger bit	9863618	204
24" X 4' Auger bit	9863619	272
30" X 4' Auger bit	9863620	312
36" X 4' Auger bit	9863621	430

HDC STYLE AUGERS	PART NUMBER	WEIGHT LB
2" Hex Coupler		
6" X 4' Auger bit	9863634	45
9" X 4' Auger bit	9863635	98
12" X 4' Auger bit	9863636	128
15" X 4' Auger bit	9863637	139
18" X 4' Auger bit	9863638	204
24" X 4' Auger bit	9863639	272
30" X 4' Auger bit	9863640	312
36" X 4' Auger bit	9863641	430



HDF STYLE AUGERS

For light to moderate ground conditions

- Fabricated boring head
- Hardened bolt-on teeth
- Hardened "fishtail" point
- Heavy-duty double flighting
- 4' overall length



HDC STYLE AUGERS

For difficult ground conditions, compacted soils, heavy clay, asphalt, frozen ground, fracturable rock

- HD cast boring head
- Hardened, drive-in teeth
- Hardened "fishtail" point
- Heavy-duty double flighting
- 4' overall length

Auger Options (Continued next page)



AUGER

SKID STEER LOADERS/COMPACT TRACK LOADERS

HTF STYLE AUGERS	PART NUMBER	WEIGHT LB
2-9/16" Round Coupler		
18" X 4' Auger bit	9863622	144
24" X 4' Auger bit	9863623	198
30" X 4' Auger bit	9863624	264
36" X 4' Auger bit	9863625	349

HTF STYLE AUGERS	PART NUMBER	WEIGHT LB
2" Hex Coupler		
18" X 4' Auger bit	9863642	144
24" X 4' Auger bit	9863643	198
30" X 4' Auger bit	9863644	264
36" X 4' Auger bit	9863645	349

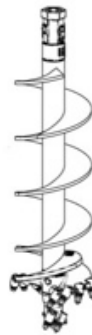


HTF STYLE AUGERS

For tree and shrub planting

- Fabricated boring head
- Two-diameter design
- Hardened, bolt-on teeth
- Hardened "fishtail" point
- HD double flighting
- 4' overall length

SRR ROCK AUGERS	PART NUMBER	WEIGHT LB
2" Hex Coupler		
6" X 4' Rock Auger	47904378	82
9" X 4' Rock Auger	47904381	110
12" X 4' Rock Auger	47904382	137
16" X 4' Rock Auger	47904383	171
18" X 4' Rock Auger	47904384	192
20" X 4' Rock Auger	47904385	239
24" X 4' Rock Auger	47904386	285
30" X 4' Rock Auger	47904387	315
36" X 4' Rock Auger	47904388	414



SRR ROCK AUGERS

For solid, fracturable rock, frozen ground and compacted soils

- Bullet style teeth
- Fabricated boring head
- HD single flighting
- 2" hexagon collar only
- .75" thick bottom flight and a hardface outer edge
- 4' overall length

AUGER EXTENSIONS AND ADAPTERS	PART NUMBER	WEIGHT LB
2" Hex female x 2-9/16" Round male	9863646	16
2-9/16" Round female x 2" Hex male	9863647	15
2" Hex female x 2" Round male	87042596	14
2-9/16" Round female x 2" Round male	87042597	9
12" Extension, 2" Hex	87042601	20
24" Extension, 2" Hex	87042602	32
12" Extension, 2-9/16" Round	87042598	21
24" Extension, 2-9/16" Round	87042600	39
48" Extension, 2" hex	84514060	57



AUTO RAKE

SKID STEER LOADERS/COMPACT TRACK LOADERS

Package includes mounting plate, hoses and quick couplers.

STANDARD AUXILIARY BOOM HYDRAULICS REQUIRED	PART NUMBER	WEIGHT LB
AUTO RAKE 66"	86563455	1495
AUTO RAKE 76"	86563456	1695

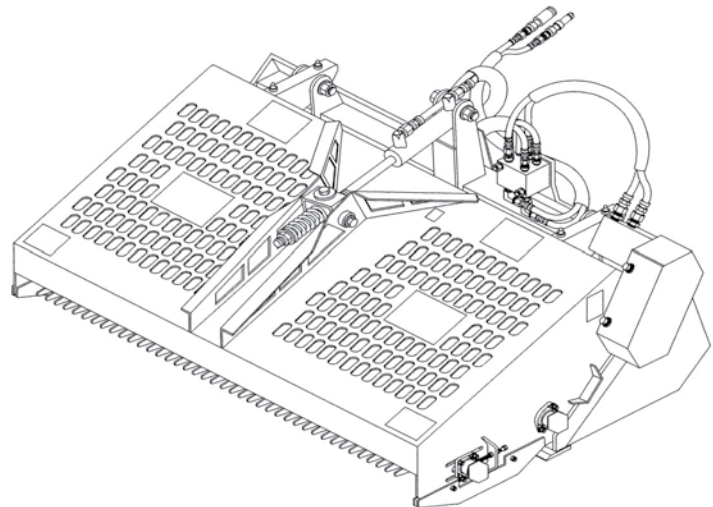
MODEL COMPATIBILITY	L213	L215	L216		L218	L220	L221	L223	L225	L228	L230	L234		C227			C232	C234	C237	C238	REQ'D EQUIPMENT						
	L150	L160	L170	L175	L180	L185	L190	C175		C185	C190										STD FLOW	HIGH FLOW	CASE DRAIN	FRONT ELEC	DEMO DOOR	2ND AUX	
AUTO RAKE, 66"	•	•	•	•	•								•	•							R						
AUTO RAKE, 76"				•	•	•	•	•	•	•	•	•	•	•	•	•	•	•	•	•	R						

FEATURES

- Grooms and finishes soil for seeding and sodding
- Picks up rocks from 3/4" to 6" in diameter and collects them in the hopper
- Breaks up clods and levels soil
- Easy to dump collected debris, simply raise the loader boom and open the shroud hydraulically

REQUIREMENTS FOR OPERATION

- Standard auxiliary hydraulics



WORKING WIDTH	66 in.	76 in.
Overall Width	73.8 in.	83.8 in.
Height	40 in.	40 in.
Depth	64 in.	64 in.
Hopper Capacity	13 cu. ft.	15 cu. ft.



BACKHOE

SKID STEER LOADERS/COMPACT TRACK LOADERS

BASE UNIT includes fold-down stabilizers. Vertical stabilizer may be substituted on 509B, 511B, 611B (extra charge). Must order mounting kit, stabilizer pad option as indicated and bucket for complete unit. Backhoes are not compatible with cab or demolition doors. Doors must be removed for backhoe operation.

AUXILIARY BOOM HYDRAULICS REQUIRED. REAR COUNTERWEIGHTS OR REAR STABILIZERS RECOMMENDED.	PART NUMBER	WEIGHT LB
Model 485 Backhoe (Fold-down stabilizers included with dirt pads only. Bolt-on rubber pads are optional.)	87498474	1010
Model 509B Backhoe (Must select pad option for fold-down or vertical stabilizers)	47670748	1525
Model 511B Backhoe (Must select pad option for fold-down or vertical stabilizers)	47670752	1694
Model 611B Backhoe (Must select pad option for fold-down or vertical stabilizers)	47670754	1930

MOUNTING KITS (Must Order One to Complete Unit)

Mounting kit for L150	87313148	280
Mounting kit for L160, L170, L175, C175	87313149	280
Mounting kit for L180, L185, C185	87313150	280
Mounting kit for L190, C190	87313151	280
Mounting kit for L213, L215, L216	84420962	250
Mounting kit for L218, L220, L221 (see table)	84420963	275
Mounting kit for L221, L223, L250, L230, L234, C227, C232, C234, C237, C238 (see table)	84420965	270

MODEL COMPATIBILITY	L150	L160 L170	L175	L180 L185	L190	C175	C185	C190	L213 L215 L216	L218 L220	L221 w/10 X16.5	L221 w/12 X16.5	L223 L225 L228	L230 L234	C227	C232 C234 C237 C238	REQ'D EQUIPMENT				
																	STD FLOW	HIGH FLOW	CASE DRAIN	MFH	
485 BACKHOE	•	•							•									R			
509B BACKHOE		•	•	•	•	•	•	•		•	•	•	•	•	•	•	•	R			
511B BACKHOE			•	•	•	•	•	•		•	•	•	•	•	•	•	•	R			
611B BACKHOE				•	•	•	•	•					•	•	•	•	•	R			
COMPLETE MOUNTING KIT (BACKHOE AND LOADER HALVES)																					
MOUNTING KIT - 87313148	•																				
MOUNTING KIT - 87313149		•	•			•															
MOUNTING KIT - 87313150				•			•														
MOUNTING KIT - 87313151					•			•													
MOUNTING KIT - 84420962									•												
MOUNTING KIT - 84420963										•	•										
MOUNTING KIT - 84420965												•	•	•	•	•	•				
MOUNTING BRACKETS (LOADER HALF ONLY)																					
MOUNTING BRKT - 87313154	•																				
MOUNTING BRKT - 87313155		•	•			•															
MOUNTING BRKT - 87313156				•			•														
MOUNTING BRKT - 87313157					•			•													
MOUNTING BRKT - 84466100									•												
MOUNTING BRKT - 84420966										•	•										
MOUNTING BRKT - 84420967												•	•	•	•	•	•				



BACKHOE OPTIONS AND ACCESSORIES

SKID STEER LOADERS/COMPACT TRACK LOADERS

STABILIZER PAD OPTIONS (Must order one as indicated)

	PART NUMBER	WEIGHT LB
Rubber Street Pads for 485 (fold-down) - not required	84150223	10
Flat Pads for 509B, 511B (fold-down)	47670838	20
Standard Dirt Pads for 509B, 511B (fold-down)	86547400	30
Rubber Street Pads for 509B, 511B (fold-down)	86547423	70
Flat Pads for 611B (fold-down)	47670839	55
Standard Dirt Pads for 611B (fold-down)	47670841	46
Rubber Street Pads for 611B (fold-down)	47670842	95
Flip-Over Pads for 509B, 511B, 611B (fold-down)	86547424	100

FACTORY INSTALLED VERTICAL STABILIZER OPTIONS (Order as needed. Must order pads)

	PART NUMBER	WEIGHT LB
Vertical Stabilizers for 509B, 511B	87034086	90
Vertical Stabilizers for 611B	47670844	90
Standard Dirt Pads for all models (vertical)	86590026	32
Rubber Street Pads for all models (vertical)	86590027	70
Flat Pads for all models (vertical)	86590028	32

FACTORY-INSTALLED OPTIONS (Order as Needed)

	PART NUMBER	WEIGHT LB
C&P Bucket Quick Coupler for 509B, 511B, 611B	84150409	63
Rigid Thumb for 485	87487657	70
Rigid Thumb for 509B, 511B, 611B	87034089	150
Hydraulic Thumb for 509B, 511B, 611B	87034090	150
Hammer Hydraulic Kit for 509B, 511B	47687596	27
Hammer Hydraulic Kit for 611B	47687597	27
2-Way Aux. Hydraulic Kit for 509B, 511B (for hydraulic thumb, hammer and auger applications)	47670854	60
2-Way Aux. Hydraulic Kit for 611B (for hydraulic thumb, hammer and auger applications)	47670855	60

STANDARD PIN-ON BUCKET OPTIONS FOR 485 BACKHOE (Must order bucket for complete unit)

	PART NUMBER	WEIGHT LB
10" Bucket (.9 ft³)	86547428	72
12" Bucket (1.2 ft³)	86547429	76
16" Bucket (1.9 ft³)	86547430	89
18" Bucket (2.1 ft³)	86547431	95
24" Bucket (3.1 ft³)	86547432	115

Backhoe Options & Accessories (Continued next page)



BACKHOE OPTIONS AND ACCESSORIES

SKID STEER LOADERS/COMPACT TRACK LOADERS

STANDARD PIN-ON BUCKET OPTIONS FOR 509B, 511B AND 611B BACKHOES (Must order bucket for complete unit.)

	PART NUMBER	WEIGHT LB
12" Bucket (1.5 ft ³)*	84150228	125
16" Bucket (2.2 ft ³)*	84150229	148
18" Bucket (2.5 ft ³)	84150230	156
20" Bucket (2.9 ft ³)	47670859	164
24" Bucket (3.6 ft ³)	84150231	180
34" Bucket (5.3 ft ³)	84150232	238
36" Bucket (5.7 ft ³)*	84150233	246
38" Bucket (6.0 ft ³)	84150234	255
Auger Adapter Bracket - Allows New Holland auger drives to pin onto the dipper. Auger operation requires 2-way aux. hydraulic kit.)	87648164	70
Hammer Adapter Bracket - Allows New Holland hammers to pin onto the dipper. Hammer operation requires hammer valve kit or 2-way aux. hydraulic kit.	47670861	52
Hammer Adapter, Pin and Bushing Kit - required for above adapter (ships from Willoughby, OH)	47741688	17

* Thumb contacts bucket teeth, others mesh with teeth

C&P MOUNT BUCKET OPTIONS FOR 509B, 511B AND 611B BACKHOES (Requires C&P bucket quick coupler.)

	PART NUMBER	WEIGHT LB
12" C&P 027 Heavy Duty bucket (2.4 ft ³)*	87034110	175
18" C&P 027 Heavy Duty bucket (3.5 ft ³)	87034112	210
24" C&P 027 Heavy Duty bucket (4.8 ft ³)*	87034115	250
30" C&P 027 Heavy Duty bucket (6.1 ft ³)	87034116	275
36" C&P 027 Heavy Duty bucket (7.5 ft ³)	87034117	300
30" C&P 027 Ditch Cleaning bucket (6.1 ft ³)	87034118	250
36" C&P 027 Ditch Cleaning bucket (7.5 ft ³)	87034119	275
C&P 027 Ripper Tooth	87034120	150
C&P 027 Auger adapter (allows New Holland auger to be attached to dipper. Requires auxiliary hydraulic kit)	87034122	115
C&P 027 Hammer Adapter Bracket - Allows New Holland hammers to attach to C&P coupler. Hammer operation requires hammer valve kit or 2-way aux. hydraulic kit.	47687598	109
Hammer Adapter, Pin and Bushing Kit - required for above adapter (ships from Willoughby, OH)	47741688	17

* Thumb contacts bucket teeth, others mesh with teeth

FIELD INSTALLED OPTIONS (Order as Needed)

	PART NUMBER	WEIGHT LB
Mounting bracket for L150 (Loader side only)	87313154	30
Mounting bracket for L160, L170, L175, C175, (loader side only)	87313155	40
Mounting bracket for L180, L185, C185, (loader side only)	87313156	40
Mounting bracket for L190, C190, (loader side only)	87313157	40
Mounting bracket for L213, L215, L216 (loader side only)	84466100	51
Mounting bracket for L218, L220, L221 - see table (loader side only)	84420966	43
Mounting bracket for L221, L223, L250, L230, L234, C227, C232, C234, C237, C238 - see table (loader side only)	84420967	40
Stabilizer Cylinder Guard Kit - 509B, 511B, 611B (fold-down)	47670869	15
C&P Bucket Quick Coupler for 509B, 511B, 611B	84150410	75
Rigid Thumb for 485	87487658	90
Rigid Thumb for 509B, 511B, 611B	87034125	155
Hydraulic Thumb for 509B, 511B, 611B	87034127	150
Hammer Hydraulic Kit for 509B, 511B	47670874	27
Hammer Hydraulic Kit for 611B	47670875	27

Backhoe Options & Accessories (Continued next page)



BACKHOE OPTIONS AND ACCESSORIES

SKID STEER LOADERS/COMPACT TRACK LOADERS

FIELD INSTALLED OPTIONS (Order as Needed) – continued

	PART NUMBER	WEIGHT LB
2-Way Aux. Hydraulic Kit for 509B, 511B (for hydraulic thumb, hammer and auger applications)	47670876	60
2-Way Aux. Hydraulic Kit for 611B (for hydraulic thumb, hammer and auger applications)	47670877	60
Field-installed Vertical Stabilizers for 509B, 511B	87034129	230
Field-installed Vertical Stabilizers for 611B	47670853	230

FEATURES

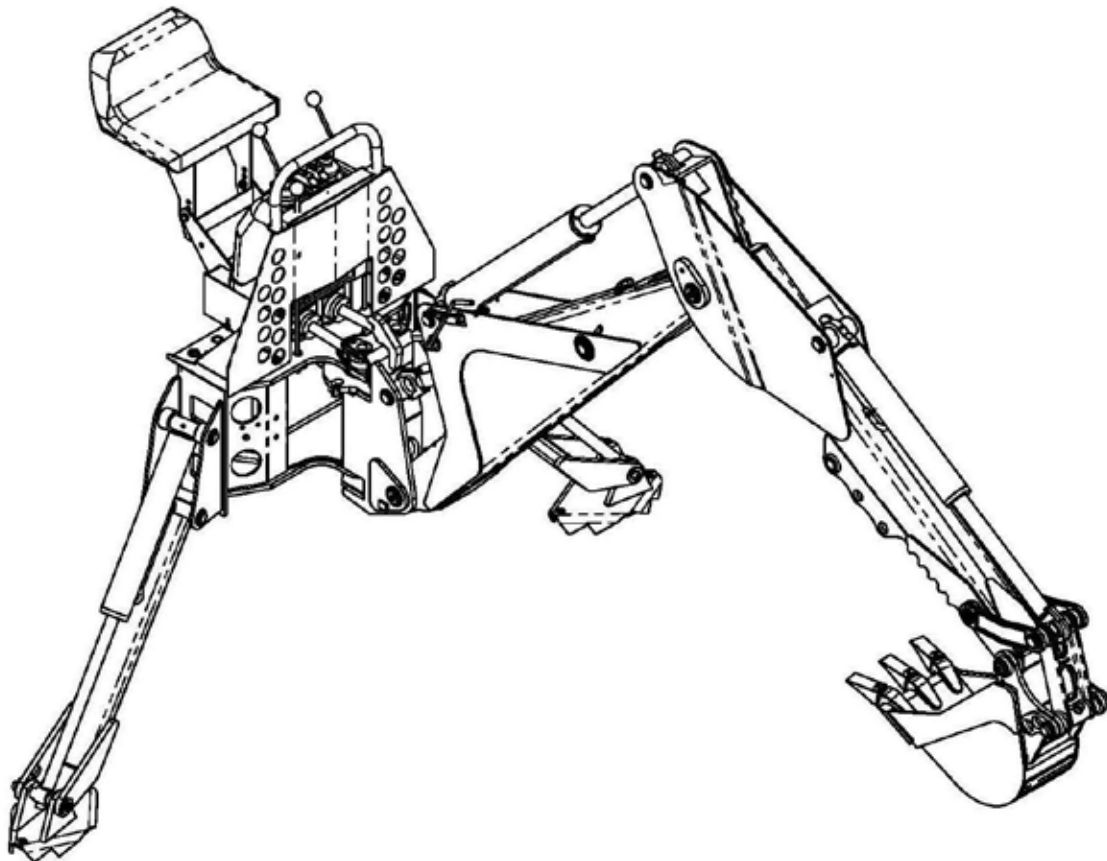
- 611B – Best-in-class digging force; Best-in-class reach
- All models thumb-ready
- Dual swing cylinders for maximum power
- Cushioned swing with speed control
- Optional thumbs
- Optional aux. hydraulic kits for thumb, hammer and auger operation (509B, 511B, 611B)
- Fold-down or vertical stabilizer options
- Standard pin-on or C&P quick mount buckets (509B, 511B, 611B)

REQUIREMENTS FOR OPERATION

- Standard auxiliary hydraulics

APPLICATIONS

- Light construction, landscaping, golf courses, nurseries, cemeteries
- Dig trenches for footers and utilities



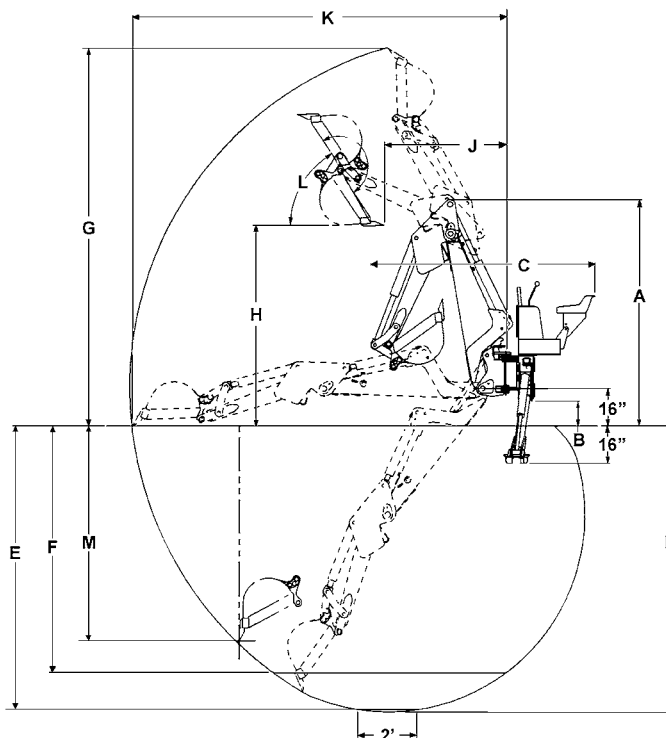


BACKHOE SPECIFICATIONS

SKID STEER LOADERS/COMPACT TRACK LOADERS

BACKHOE MODEL		485	509B	511B	611B
TRANSPORT					
A.	Transport Height (w/boom fully retracted)	6' 9"	7' 9"	8' 10"	8' 10"
	Transport Width (w/fold down stabilizers up)	4' 3"	5' 0"	5' 0"	4' 9"
	Transport Width (w/vertical stabilizers)	N/A	4' 9"	4' 9"	5' 10"
B.	Ground Clearance	10"	11"	11"	11"
C.	Overall Length	6' 11"	7' 7"	7' 9"	7' 9"
	Boom Pivot Height	12"	16"	16"	16"
OPERATIONAL					
D.	Digging Depth Maximum	8' 3"	9' 8"	11' 1"	11' 1"
E.	Digging Depth (2') Flat Bottom	8' 2"	9' 7"	11' 0"	11' 0"
F.	Digging Depth (8') Flat Bottom	4' 4"	8' 3"	9' 11"	9' 11"
G.	Overall Operating Height - Fully Raised	10' 1"	12' 10"	14' 5"	14' 5"
H.	Loading Height	5' 3"	6' 10"	8' 0"	8' 0"
J.	Loading Reach	4' 10"	4' 2"	5' 0"	5' 0"
K.	Reach from Swing Post	10' 7"	12' 9"	14' 5"	14' 5"
L.	Bucket Rotation	180°	180°	180°	180°
	Swing Arc	180°	180°	180°	180°
M.	Straight Wall Dig Depth	4' 8"	7' 3"	8' 2"	8' 2"
	Stabilizer Spread-Operating Pos. (fold down)	7' 6"	7' 11"	7' 11"	9' 11"
	Stabilizer Spread-Operating Pos. (vertical)	N/A	4' 9"	4' 9"	5' 10"
	Stabilizer Down Below Grade (fold down)	10"	16"	16"	17"
	Stabilizer Down Below Grade (vertical)	N/A	11"	11"	12"
	System Relief Valve Setting	2,750 psi	2,500 psi	2,500 psi	2,750 psi
	Digging Force - Bucket Cylinder	3,895 lbs.	5,676 lbs.	5,676 lbs.	6,200 lbs.
	Digging Force - Dipper Cylinder	2,358 lbs.	2,754 lbs.	3,056 lbs.	4,350 lbs.

Some dimensions may vary depending on loader model, tire options, etc.





BALE HANDLER

SKID STEER LOADERS/COMPACT TRACK LOADERS

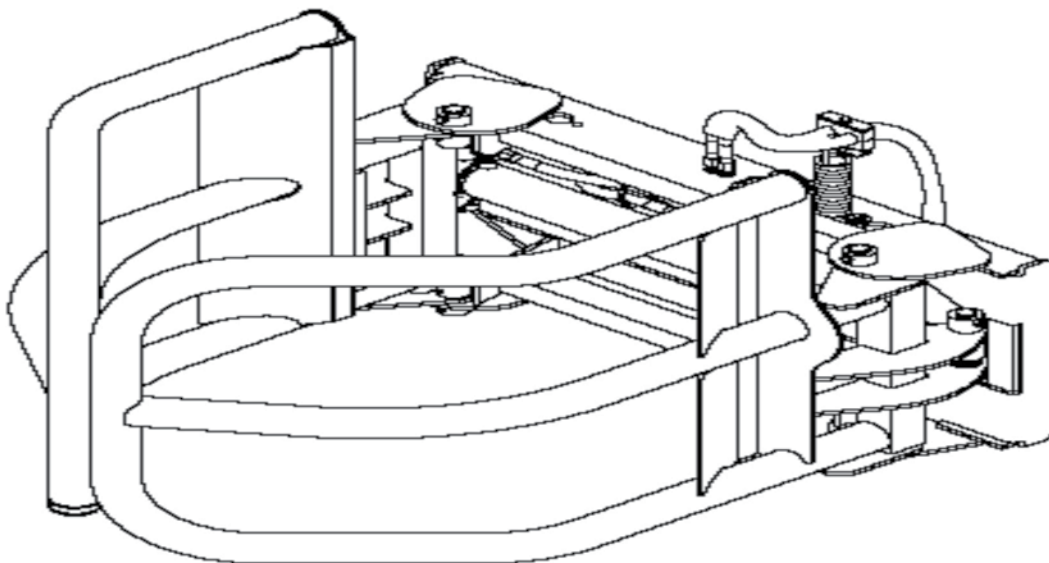
Bale handler includes mounting bracket, cylinder, hoses and quick couplers.

STANDARD AUXILIARY BOOM HYDRAULICS REQUIRED – REAR COUNTERWEIGHTS RECOMMENDED.	PART NUMBER	WEIGHT LB
BALE HANDLER	87381817	585

MODEL COMPATIBILITY	L213 L215 L216	L218	L220 L221	L223	L225 L228	L230 L234		C227		C232 C234 C237 C238	REQ'D EQUIPMENT					
	L150	L160 L170	L175	L180	L185	L190	C175		C185 C190		STD FLOW	HIGH FLOW	CASE DRAIN	MFH	DEMO DOOR	2ND AUX
BALE HANDLER	•	•	•	•	•	•	•	•	•	•	R					

FEATURES

- Handles bales from 28" to 80"
- Constant pressure eliminates dropped bales
- Hugger arms fabricated with formed round tubing that protects bale wrap
- Lifts, moves, stacks round or rectangular bales





BALE SPEAR

SKID STEER LOADERS/COMPACT TRACK LOADERS

	PART NUMBER	WEIGHT LB
BALE SPEAR, Std Single	87648167	160
BALE SPEAR, HD Single	87473623	195
BALE SPEAR, HD Dual	87473624	235
BALE SPEAR, 3 x 27"	87473625	210
BALE SPEAR, 3 X 44"	87473626	230

MODEL COMPATIBILITY	L213	L215	L216	L218	L220	L221	L223	L225	L228	L230	L234		C227		C232	C234	C237	C238	REQ'D EQUIPMENT						
	L150	L160	L170	L175	L180	L185	L190	C175		C185	C190								STD FLOW	HIGH FLOW	CASE DRAIN	FRONT ELEC	DEMO DOOR	2ND AUX	
BALE SPEAR, Std Single	•	•	•	•	•	•	•	•	•	•	•	•	•	•	•	•	•	•							
BALE SPEAR, HD Single	•	•	•	•	•	•	•	•	•	•	•	•	•	•	•	•	•	•							
BALE SPEAR, HD Dual	•	•	•	•	•	•	•	•	•	•	•	•	•	•	•	•	•	•							
BALE SPEAR, 3 x 27"	•	•	•	•	•	•	•	•	•	•	•	•	•	•	•	•	•	•							
BALE SPEAR, 3 X 44"	•	•	•	•	•	•	•	•	•	•	•	•	•	•	•	•	•	•							

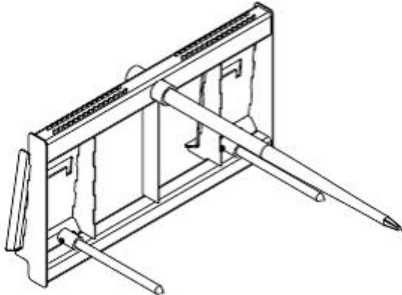
SINGLE TINE BALE SPEAR

Standard Duty

- For bales up to 2000 lb @ 24" load center
- Main spear – single tapered, forged, 1-1/4" dia x 44"
- Stabilizer spikes – dual 1-1/4" dia x 19"

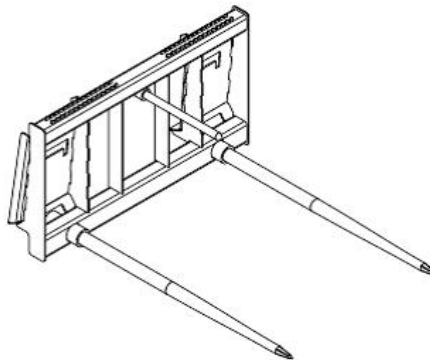
Heavy Duty

- For bales up to 3000 lb @ 24" load center
- Main spear – single tapered, forged, 2-1/8" dia x 49"
- Stabilizer spikes – dual 1-1/4" dia x 19"



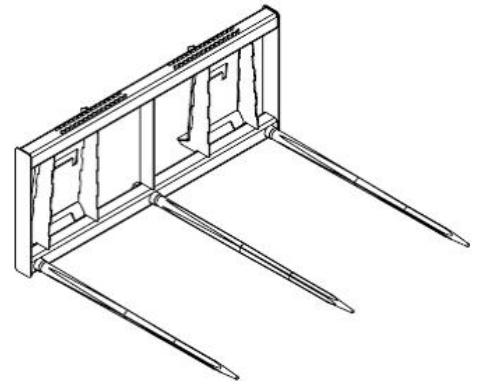
DUAL TINE BALE SPEAR

- For bales up to 4000 lb @ 24" load center
- Main spears – dual tapered, forged, 2-1/8" dia x 49"
- Stabilizer spike – single 1-1/4" dia x 19"



3 TINE BALE SPEAR

- For bales up to 4000 lb @ 24" load center
- Main spikes – 3 tapered, forged, 1-3/4" dia
- Available with 27" or 44" length spears



Bale capacity is dependent on loader model



BROOM, ANGLE

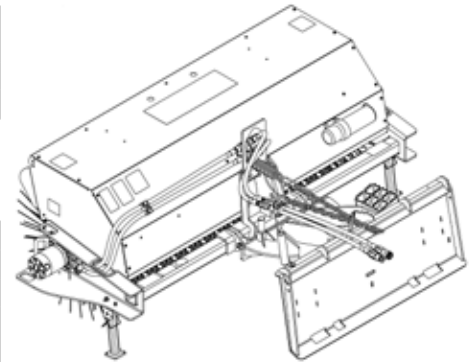
SKID STEER LOADERS/COMPACT TRACK LOADERS

PREPACKAGED COMPLETE BROOMS – Units include 14-pin hydraulic angle kit (84215698) installed. Also includes mounting bracket, hoses, quick disconnects and parking stands. Requires Front Electric 14-pin boom harness.

	PART NUMBER	WEIGHT LB
72" Angle Broom with hyd angle and poly/wire brush	48159717	1125
84" Angle Broom with hyd angle and poly/wire brush	48159718	1175

STANDARD BROOMS – Manual angle is standard. Hydraulic angle kits must be ordered separately. Units are shipped with mounting bracket, hoses, quick disconnects and parking stands.

72" ANGLE BROOM with poly/wire combination brush	84215691	1018
84" ANGLE BROOM with poly/wire combination brush	84215692	1098
96" ANGLE BROOM with poly/wire combination brush	84215693	1178
96" ANGLE BROOM DUAL MOTOR with poly/wire combination brush	47358394	1208



OPTIONS (Order as Needed)

Hydraulic Angle Kit (Universal) includes: diverter valve, cylinder, hoses, wiring and switch box mounted in cab.	84215697	20
Hydraulic Angle Kit (14 - Pin) includes: diverter valve, cylinder, hoses, wiring for loaders equipped with 14-pin boom connector.	84215698	20
Hydraulic Angle Kit (2nd Aux) includes cylinder, hoses, and quick disconnects for loaders equipped with 2nd auxiliary function.	84215699	18
Heavy Duty Spring/chain kit (for rough terrain)	48184477	11

40 gallon loader-mounted water kit available separately. See "Water Kit" page for details.

REPLACEMENT BRUSH SETS

Poly/Wire Brush Set for 72" broom	84376838	140
Poly/Wire Brush Set for 84" broom	84376839	164
Poly/Wire Brush Set for 96" broom	84376840	196
All Poly Brush set for 72" broom	51416970	120
All Poly Brush set for 84" broom	51416971	140
All Poly Brush set for 96" broom	51416972	175

MODEL COMPATIBILITY	L213	L215	L216	L218		L220	L221	L223	L225	L228	L230	L234		C227		C232	C234	C237	C238	REQ'D EQUIPMENT						
	L150	L160	L170	L175				L180	L185		L190	C175			C185	C190					STD FLOW	HIGH FLOW	CASE DRAIN	MFH	DEMO DOOR	2ND AUX
72" ANGLE BROOM	•	•	•	•	•	•	•	•	•	•	•	•	•	•	•	•	•	•	•	•	R			O		
84" ANGLE BROOM		•	•	•	•	•	•	•	•	•	•	•	•	•	•	•	•	•	•	•	R			O		
96" ANGLE BROOM						•	•	•	•	•	•	•	•	•	•	•	•	•	•	•	R			O		
96" ANGLE BROOM (DUAL)								•	•	•	•	•	•	•	•	•	•	•	•	•	R			O		

FEATURES

- 50/50 Poly/wire brush core
- Parking stands
- Angles 30° right or left
- 32" brush diameter
- Integral nozzle mounting for water application
- Bolt together hood for simple, less costly replacement, if damaged
- Quick-change brush without breaking hydraulic lines

APPLICATIONS

- Street cleaning & parking lot maintenance, road maintenance clean-up, bridge deck clean-up, jobsite clean-up
- Snow removal

REQUIREMENTS FOR OPERATION

- Standard auxiliary hydraulics



BROOM, HOPPER

SKID STEER LOADERS/COMPACT TRACK LOADERS

BASE UNIT includes mounting bracket, hoses and quick disconnects.

	PART NUMBER	WEIGHT LB
60" SB Hopper broom with poly/wire brush	84188887	808
72" SB Hopper broom with poly/wire brush	84188888	916
84" SB Hopper Broom with poly/wire brush	84188889	1033

OPTIONS (Order as Needed)

Gutter brush for SB Hopper Broom - poly only (order 2 for dual)	84188890	95
Dust control kit, broom mount, (includes 25 gallon tank, nozzles and hose)	445999A1	50

Loader-mounted water kits available separately. See "Water Kit" page for details.

REPLACEMENT BRUSH SETS

Poly/wire brush set for 60" broom	84375436	97
Poly/wire brush set for 72" broom	84375437	113
Poly/wire brush set for 84" broom	84375438	134

REPLACEMENT BOLT-ON EDGES

Bolt-on edge for 60" broom	47559995	36
Bolt-on edge for 72" broom	47559997	42
Bolt-on edge for 84" broom	47559999	48

MODEL COMPATIBILITY	L213	L215	L216	L218		L220	L221	L223	L225	L228	L230	L234		C227		C232	C234	C237	C238	REQ'D EQUIPMENT					
		L150	L160	L170	L175		L180	L185	L190	C175		C185	C190							STD FLOW	HIGH FLOW	CASE DRAIN	MFH	DEMO DOOR	2ND AUX
60" HOPPER BROOM	•	•	•	•	•	•														R					
72" HOPPER BROOM		•	•	•	•	•	•	•	•	•	•	•	•	•	•		•			R					
84" HOPPER BROOM			•	•	•	•	•	•	•	•	•	•	•	•	•	•	•			R					

FEATURES

- Bi-directional motor for forward or reverse sweeping
- High capacity single drive motor for 10-25 gpm systems
- Direct drive brush motor eliminates chains and sprockets
- No caster wheel allows closer proximity to objects and better contact with sweeping surface
- Peripheral rubber skirt keeps debris and dust contained
- Combination poly and wire brush
- Replaceable bolt-on bucket edge
- No chains needed for dumping

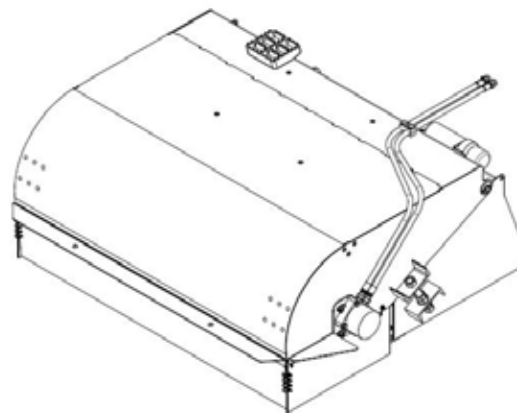
- Optional gutter brush mounts on left or right side. Order 2 for both
- Hydraulic hoses and flat face hydraulic disconnects included

APPLICATIONS

- Street cleaning & parking lot maintenance, road maintenance clean-up, bridge deck clean-up, jobsite clean-up

REQUIREMENTS FOR OPERATION

- Standard auxiliary hydraulics



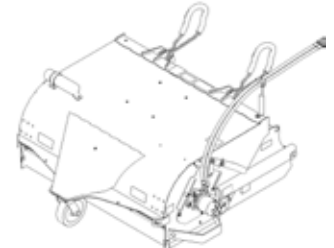


BROOM, PICK-UP STANDARD & VS VACUUM

SKID STEER LOADERS/COMPACT TRACK LOADERS

Units are shipped with mounting bracket, hoses, quick disconnects.

	PART NUMBER	WEIGHT LB
60" PICK-UP BROOM with poly/wire combination brush	87553104	1225
72" PICK-UP BROOM with poly/wire combination brush	87553105	1350
84" PICK-UP BROOM with poly/wire combination brush	87553106	1475
60" VS VACUUM PICK-UP BROOM with poly/wire combination brush	51422413	1480
72" VS VACUUM PICK-UP BROOM with poly/wire combination brush	51422414	1600
84" VS VACUUM PICK-UP BROOM with poly/wire combination brush	51422415	1725



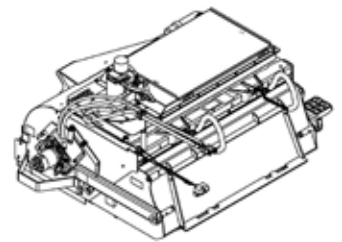
Standard

ELECTRIC CONTROL (one required for VS units)

Wire Harness Connector – For units with 14-pin Front Elec.	48114556	2
Universal Electric Control kit – For units w/o 14-pin Front Elec.	48114557	2

OPTIONS (Order as Needed)

Single gutter brush kit, fits right or left (all poly)	84188890	90
Dual gutter brush kit (all poly)	48119587	180
Single gutter brush kit, fits right or left (all wire)	84124630	105
Dual gutter brush kit (all wire)	84124631	205
Dust control kit, broom mounted, includes 25 gallon tank, nozzles and hose. (for std models only)	445999A1	75



VS Vacuum

Loader-mounted water kits available separately. See "Water Kit" page for details.

REPLACEMENT BRUSH SETS

Poly/wire brush set for 60" broom	84375436	97
Poly/wire brush set for 72" broom	84375437	113
Poly/wire brush set for 84" broom	84375438	134

REPLACEMENT BOLT-ON EDGES

Bolt-on edge for 60" broom	47559995	36
Bolt-on edge for 72" broom	47559997	42
Bolt-on edge for 84" broom	47559999	48

MODEL COMPATIBILITY	L213	L215 L216	L218	L220 L221	L223 L225 L228	L230 L234	C227		C232 C234 C237 C238	REQ'D EQUIPMENT					
		L150	L160 L170 L175		L180 L185	L190	C175	C185 C190		STD FLOW	HIGH FLOW	CASE DRAIN	MFH	DEMO DOOR	2ND AUX
60" STD/VS PICK-UP BROOM	•	•	•	•						R					
72" STD/VS PICK-UP BROOM		•	•	•	•	•	•		•	R					
84" STD/VS PICK-UP BROOM				•	•	•	•	•	•	R					

FEATURES – Standard and VS

- Bi-directional motor for forward or reverse sweeping
- High capacity single drive motor for 10-23 gpm systems
- Quick-change brush without breaking hydraulic lines
- Drive motor can be removed for brush change without tools
- No tools required for brush pattern adjustment
- "Volumizing" feature for increased bucket capacity
- Heavy duty caster wheel and wheel mount
- Integral sprinkler nozzle mounts
- Flat face hydraulic quick disconnects included
- Hydraulic hoses and disconnects included
- Optional gutter brush, mounts left, right, or in tandem
- Combination poly and wire brush
- Replaceable bolt-on bucket edge
- Direct drive brush motor eliminates chains and sprockets

FEATURES – VS only

- Allows dust mitigation without a water tank
- Washable 10 micron coated filter works in dry or wet conditions
- Can help meet OSHA regulations regarding crystalline silica dust in work environment
- 12-volt shaker dislodges loose debris from the filter media directly into the hopper bucket

APPLICATIONS

- Street cleaning & parking lot maintenance, road maintenance clean-up, bridge deck clean-up, jobsite clean-up

REQUIREMENTS FOR OPERATION

- Standard auxiliary hydraulics
- Electric Control option (VS)



BUCKET, 4X1 (UTILITY)

SKID STEER LOADERS/COMPACT TRACK LOADERS

Unit includes hoses and quick disconnects.

REQUIRES STANDARD AUXILIARY BOOM HYDRAULICS	PART NUMBER	WEIGHT LB
4X1 Bucket, Utility, 66" (10.2 ft ³ struck/ 14.2 ft ³ heaped capacity)	87648131	650
4X1 Bucket, Utility, 72" (11.2 ft ³ struck/ 15.6 ft ³ heaped capacity)	87648132	685

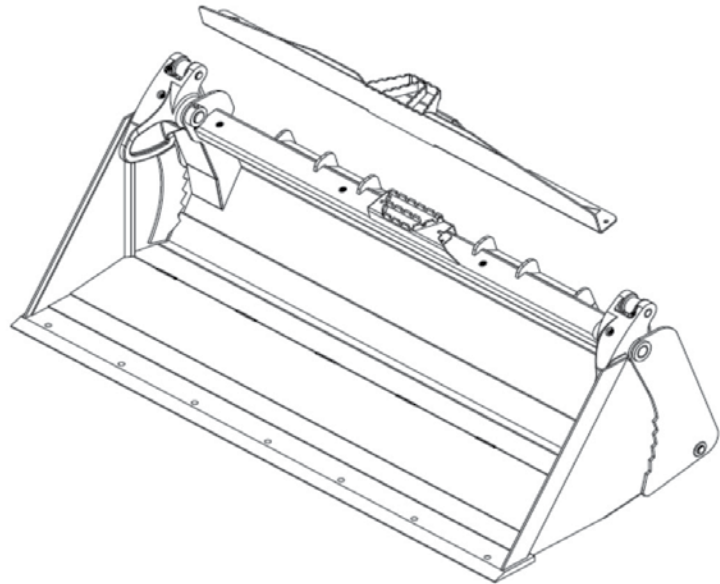
OPTIONS FOR UTILITY DUTY BUCKETS

Bolt-on spill guard for 66" 4X1 bucket	87648135	28
Bolt-on spill guard for 72" 4X1 bucket	87648136	30

MODEL COMPATIBILITY	L213	L215 L216	L218	L220 L221	L223	L225 L228	L230 L234		C227		C232 C234 C237 C238	REQ'D EQUIPMENT					
		L150	L160 L170	L175	L180	L185	L190	C175		C185 C190		STD FLOW	HIGH FLOW	CASE DRAIN	MFH	DEMO DOOR	2ND AUX
66" 4X1 BUCKET (UTILITY)	•	•	•									R					
72" 4X1 BUCKET (UTILITY)		•	•	•								R					

FEATURES

- Includes hoses and quick disconnects
- 2" cylinder bore; 1-1/8" diameter rod
- Fixed greaseable cylinder ends
- 3/4" x 6" clam cutter bar
- 10 ga. 100K psi bucket construction
- 1/2" x 4" wear strips on bucket floor
- 2,350 lb. clamping force
- 34-5/8" clam opening
- 23-1/8" floor length
- Optional spill guards increase struck capacity approx. 29% and heaped capacity approx. 24%
- Compatible with toothbars and bolt-on edges



APPLICATIONS

- Functions as a loader bucket, clam, dozer, scraper and bottom dump bucket
- Material spreading – gravel, mulch, dirt, etc.

ACCESSORIES

Width	Bolt-on Edge	Bolt-on Rezhoh™ edge	Toothbar for bucket w/o bolt-on edge	Toothbar for bucket with bolt-on edge
66"	86577167	HCE86577167	9624721H	86599707H
72"	86577169	HCE86577169	9624722H	86599708H



BUCKET, 4X1 (CONSTRUCTION)

SKID STEER LOADERS/COMPACT TRACK LOADERS

Unit includes hoses and quick disconnects.

REQUIRES STANDARD AUXILIARY BOOM HYDRAULICS	PART NUMBER	WEIGHT LB
4X1 Bucket, Construction, 72" (12.5ft ³ struck/ 17.8 ft ³ heaped)	87648158	930
4X1 Bucket, Construction, 78" (13.6 ft ³ struck/19.3 ft ³ heaped)	87648159	965
4X1 Bucket, Construction, 84" (14.6 ft ³ struck/20.8 ft ³ heaped)	87648160	1005

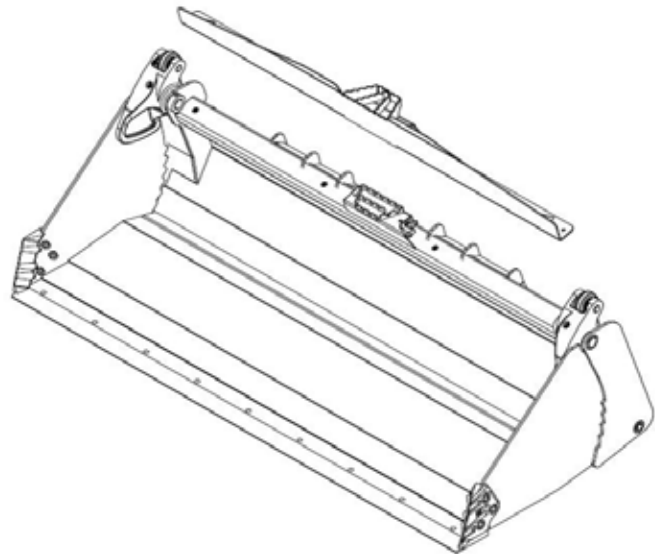
OPTIONS FOR CONSTRUCTION DUTY BUCKETS

Bolt-on spill guard for 72" 4X1 bucket	87648136	30
Bolt-on spill guard for 78" 4X1 bucket	87648165	33
Bolt-on spill guard for 84" 4X1 bucket	87648166	35

MODEL COMPATIBILITY	L213	L215 L216	L218	L220 L221	L223	L225 L228		L230 L234		C227		C232 C234 C237 C238	REQ'D EQUIPMENT					
		L150	L160 L170	L175	L180	L185	L190		C175		C185 C190		STD FLOW	HIGH FLOW	CASE DRAIN	MFH	DEMO DOOR	2ND AUX
72" 4X1 BUCKET (CONSTR)			•	•	•	•		•	•	•			R					
78" 4X1 BUCKET (CONSTR)				•	•	•	•	•	•	•		•	R					
84" 4X1 BUCKET (CONSTR)					•	•	•	•			•	•	R					

FEATURES

- Includes hoses and quick disconnects
- 2-1/2" cylinder bore; 1-1/4" diameter rod
- Spherical, greaseable cylinder ends
- 1" x 6" clam cutter bar
- 7 ga, 100K psi bucket construction
- 5/8" x 5" wear strips on bucket floor
- Dual pilot-operated check hydraulic system for positive load holding
- 4,000 lb. clamping force
- 34-3/4" clam opening
- 26-5/8" floor length
- Replaceable bolt-on side cutters
- Optional spill guards increase struck capacity approx. 26% and heaped capacity approx. 21%
- Compatible with toothbars and bolt-on edges



APPLICATIONS

- Functions as a loader bucket, clam, dozer, scraper and bottom dump bucket
- Material spreading – gravel, mulch, dirt, etc.

ACCESSORIES				
Width	Bolt-on Edge	Bolt-on Rezloh™ edge	Toothbar for bucket w/o bolt-on edge	Toothbar for bucket with bolt-on edge
72"	86577169	HCE86577169	87299776	87299779
78"	86577171	HCE86577171	87299777	87299780
84"	86577173	HCE86577173	87299778	87299781



BUCKET, POWER SIDE DISCHARGE

SKID STEER LOADERS/COMPACT TRACK LOADERS

REQUIRES STANDARD AUXILIARY BOOM HYDRAULICS	PART NUMBER	WEIGHT LB
Bucket, Power Side Discharge (Sand), 60"	84195956	805
Bucket, Power Side Discharge (Sand), 72"	84195957	915
Bucket, Power Side Discharge (Sawdust), 72"	84195958	1120
Bucket, Power Side Discharge (Sawdust), 84"	84195959	1300

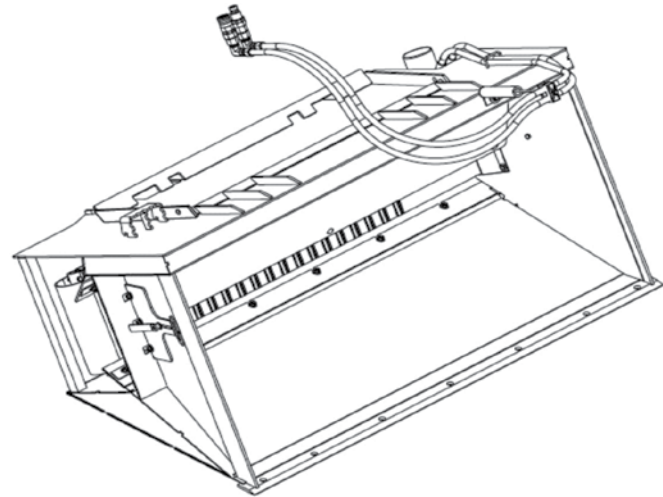
MODEL COMPATIBILITY	L213	L215	L216	L218	L220	L221	L223	L225	L228	L230	L234		C227		C232	C234	C237	C238	REQ'D EQUIPMENT							
		L150	L160	L170	L175	L180	L185	L190		C175		C185	C190						STD FLOW	HIGH FLOW	CASE DRAIN	MFH	DEMO DOOR	2ND	AUX	
60" 4x1 POWER SIDE DISCHARGE (SAND)	•	•	•										•						R							
72" 4x1 POWER SIDE DISCHARGE (SAND)		•	•	•	•	•	•	•	•	•	•	•	•	•	•	•	•	•	R							
72" 4x1 POWER SIDE DISCHARGE (SAWDUST)		•	•	•	•	•	•	•	•	•	•	•	•	•	•	•	•	•	R							
84" 4x1 POWER SIDE DISCHARGE (SAWDUST)							•	•	•	•	•	•	•	•	•	•	•	•	R							

FEATURES

- Adjustable discharge gates
- Rubber discharge belt with exposure baffle
- Left or right discharge
- Sawdust model includes agitator to eliminate bridging

APPLICATIONS

- The power side discharge buckets are designed to collect and discharge sawdust, mulch, and sand into barns, stalls and orchards, or backfill
- Capable of spreading a variety of materials such as silage, stone, or topsoil
- Road maintenance, agriculture, landscaping, sand bagging



REQUIREMENTS FOR OPERATION

- Standard auxiliary hydraulics
- Bolt-on cutting edge recommended (see below)

	WEIGHT (lbs.)	HEIGHT (in.)	DEPTH (in.)	CAPACITY (yd ³)	Material Performance Rating*					
					Sand	Aggregate	Topsoil	Sawdust	Mulch	Silage
60" (SAND)	869	31.8	39.5	0.55	Best	Good	Good	Poor	Poor	Fair
72" (SAND)	959	31.8	39.5	0.68	Best	Good	Good	Poor	Poor	Fair
72" (SAWDUST)	1,184	45.3	47	1.34	Fair	Fair	Fair	Best	Best	Good
84" (SAWDUST)	1,328	45.3	47	1.58	Fair	Fair	Fair	Best	Best	Good

* Ratings consider the material to be in a typical working condition with respect to moisture content. In most cases, as moisture content increases, performance will be adversely affected.

ACCESSORIES		
Width	Bolt-on Edge	Hardware kit
60"	86577165	86635434
72"	86577169	86635434
84"	86577173	86635435



CHIPPER

SKID STEER LOADERS/COMPACT TRACK LOADERS

AUXILIARY BOOM HYDRAULICS REQUIRED (High Flow as indicated)	PART NUMBER	WEIGHT LB
Model 74500 Standard Flow Chipper	87330079	1145
Model 74800 High Flow Chipper (Requires high flow auxiliary hydraulics)	87330080	1525

MODEL COMPATIBILITY	L213	L215	L216		L218	L220	L221	L223	L225	L228	L230	L234		C227		C232	C234	C237	C238	REQ'D EQUIPMENT							
	L150	L160	L170	L175	L180	L185	L190	C175		C185	C190			STD FLOW	HIGH FLOW	CASE DRAIN	MFH	DEMO DOOR	2ND AUX								
CHIPPER - STD. FLOW		•	•	•	•	•	•	•	•	•	•	•	•	•	•	•					R		R				
CHIPPER - HIGH FLOW					•	•	•	•	•	•	•	•	•	•	•	•						R	R				

SPECIFICATIONS		
MODEL	74500	74800
Hydraulics	standard-flow, min. 15 gpm	high-flow, min. 25 gpm
Feed Opening Size	5 1/2" x 7"	9" x 9"
Continuous Chipping Size	3"	5"
Feed System	Variable hydraulic	Variable hydraulic
Chipper Disc	20" x 1 1/4" 140 lbs	30" x 1 1/4" 275 lbs
Operating Weight (lbs.)	1,145	1,525

FEATURES

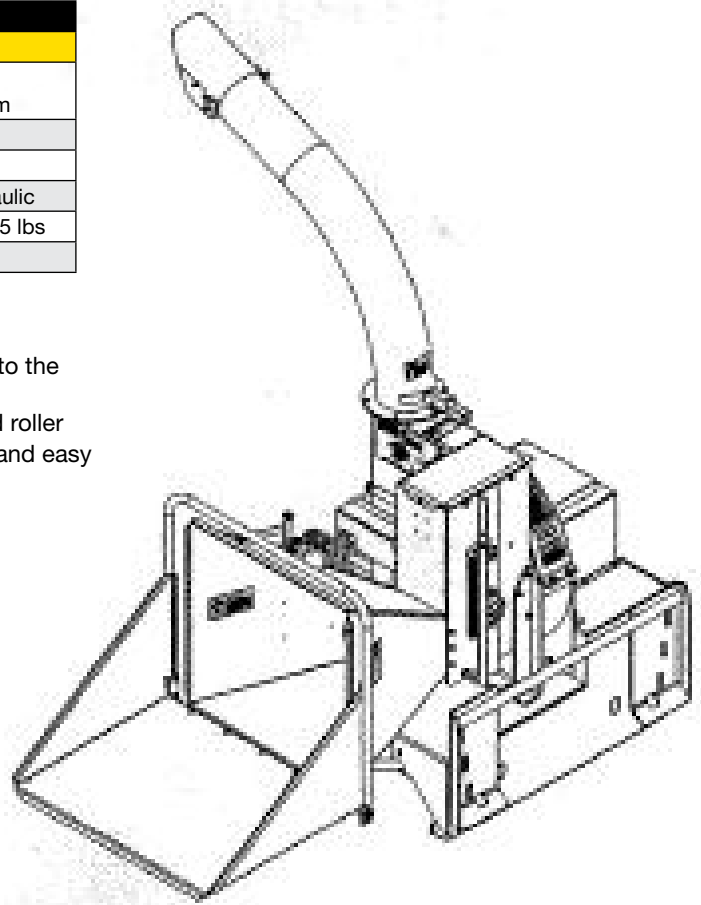
- Chipper has two mounts, so it can be set to feed in front or to the curb side
- Four position manual valve easily controls the hydraulic feed roller
- Built-in hydraulic jack makes feed roller maintenance quick and easy
- Infinitely variable feed roll speed
- Feed roll control lever accessible on both sides of unit

APPLICATIONS

- Chip brush, limbs from tree trimming, land clearing and storm damage clean-up

REQUIREMENTS FOR OPERATION

- Standard flow, min. 15 gpm for Model 74500
- High flow, min. 25 gpm for Model 74800
- Case drain line required for both standard and high flow models





COLD PLANER, HIGH FLOW

SKID STEER LOADERS/COMPACT TRACK LOADERS

For specified skid-steer loaders equipped with optional high flow, auxiliary boom hydraulics. Includes drum, hydraulic depth, tilt, hydraulic sideshift, hoses, fittings and quick couplers.

	PART NUMBER	WEIGHT LB
Cold Planer HP16* - 16" with hydr controls (22-28 gpm)	84539370	2150
Cold Planer HP18 - 18" with hydr. controls (22-28 gpm)	84539371	2200
Cold Planer HP16* - 16" with hydr controls (31-35 gpm)	84539372	2150
Cold planer HP18 - 18" with hydr. controls (31-35 gpm)	84539373	2200
Cold planer HP24 - 24" with hydr. controls (31-35 gpm)	84539374	2400
Cold planer HP30 - 30" with hydr. controls (31-35 gpm)	84539375	2600
Cold planer HP40 - 40" with hydr. controls (31-35 gpm)	84539376	3100
EHF Cold planer HP24 - 24" with hydr. controls (31-35 gpm)	84523773	2400
EHF Cold planer HP30 - 30" with hydr. controls (31-35 gpm)	84523774	2600
EHF Cold planer HP40 - 40" with hydr. controls (31-35 gpm)	84523775	3100

*16" drum installed in 18" housing.

ADDITIONAL COMPONENTS (Order as Needed)

2.5" Slot Cutting Drum for HP16, HP18, HP24, HP30, HP40	87045459	120
4" Slot Cutting Drum for HP16, HP18, HP24, HP30, HP40	87045460	135
6" Slot Cutting Drum for HP16, HP18, HP24, HP30, HP40	87045461	150
Universal electric control kit for units without MFH (not for EHF planers)	47403651	4
Water nozzle kit, includes 3 spray nozzles, tubing and fitting to reach coupler on loader boom fo SP12 - HP30	87045462	10
Water nozzle kit, includes 3 spray nozzles, tubing and fitting to reach loader boom on HP40	87326406	12

Pressurized Water Kit available. See "Water Kit" page for details

MODEL COMPATIBILITY	L213	L215	L216	L218	L220	L221	L223	L225	L228	L190	L230	L234	C227	C185	C190	C232	C237	C234	C238	REQ'D EQUIPMENT						
	L150	L160	L170	L175				L180	L185				C175							STD FLOW	HIGH FLOW	EHF	CASE DRAIN	MFH	DEMO DOOR	2ND AUX
16" COLD PLANER (22-28)				•									•								R		R	R		
18" COLD PLANER (22-28)				•									•								R		R	R		
16" COLD PLANER (31-35)							•	•	•	•	•	•	•	•	•	•	•	•	•		R		R	R		
18" COLD PLANER (31-35)							•	•	•	•	•	•	•	•	•	•	•	•	•		R		R	R		
24" COLD PLANER (31-35)							•	•	•	•	•	•	•	•	•	•	•	•	•		R		R	R		
30" COLD PLANER (31-35)								•	•	•	•	•	•	•	•	•	•	•	•		R		R	R		
40" COLD PLANER (31-35)									•	•	•	•	•	•	•	•	•	•	•		R		R	R		
EHF 24" COLD PLANER (31-35)											•								•	R		R	R	R		
EHF 30" COLD PLANER (31-35)											•								•	R		R	R	R		
EHF 40" COLD PLANER (31-35)											•								•	R		R	R	R		

Cold Planers, High Flow (Continued next page)

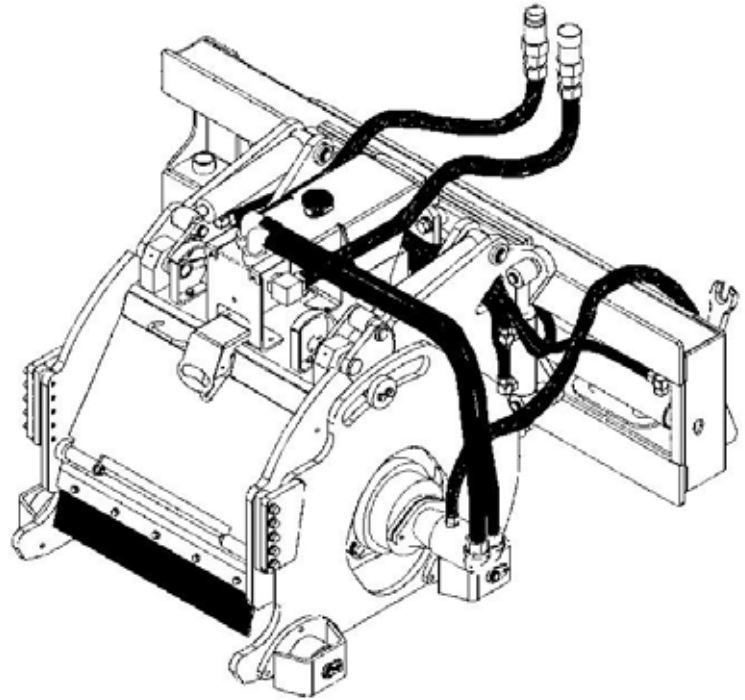


COLD PLANER, HIGH FLOW

SKID STEER LOADERS/COMPACT TRACK LOADERS

FEATURES

- Independent pivoting head for better contour tracking
- Removable wheels for planing next to curbs and obstructions
- Hinged cover for pick maintenance access
- Pick maintenance tool included
- Solid steel wheel construction (hardened) with greasable manifold pins and secluded zerks
- Plated and powder-coated surfaces offer resistance to harsh environments
- High rear spoil clearance to prevent recirculation of material
- T1 steel construction in high wear areas
- $\pm 8^\circ$ tilt capability
- 0-5" cutting depth, 0-19" sideshift center to right
- Convenient, fully electro-hydraulic, in-cab control for depth, tilt, and sideshift
- Depth and tilt position indicators
- Protective shields for hydraulic and electrical components
- Independent self-leveling depth adjustment shoe allows for precise lapping cuts and taper cuts (i.e. multiple pass and approaches to RR crossings)
- Efficient piston drive motor
- Planetary drive delivers high torque
- Universal, general purpose picks standard



APPLICATIONS

- For heavy duty planing jobs, including milling transition and repair areas, frost heaves and expansion joints

REQUIREMENTS FOR OPERATION

- High flow auxiliary hydraulics (EHF for specified units)
- Multi function control kit or universal electric control kit
- Case drain



COLD PLANER, STANDARD FLOW

SKID STEER LOADERS/COMPACT TRACK LOADERS

For specified skid-steer loaders equipped with standard auxiliary boom hydraulics. Includes drum, manual depth and tilt, hydraulic side shift, hoses, fittings and quick couplers. Fully hydraulic controls are optional.

STANDARD BOOM HYDRAULICS (12 - 22 gpm)	PART NUMBER	WEIGHT LB
Cold Planer SP12M-12 in. manual controls	87045452	1450
Cold Planer SP12H -12 in. with hydraulic controls *	87045453	1500

ADDITIONAL COMPONENTS (Order as Needed)

2.5" Slot Cutting Drum for SP12	87045458	90
Water nozzle kit, includes 3 spray nozzles, tubing and fitting to reach coupler on loader boom for SP12 - HP30	87045462	10

Pressurized Water Kit available. See "Water Kit" page for details

MODEL COMPATIBILITY	REQ'D EQUIPMENT																
	L150	L213 L215 L216	L218 L170	L220 L221	L223	L225 L228	L230 L234	C175	C227	C185 C190	C232 C234 C237 C238	STD FLOW	HIGH FLOW	CASE DRAIN	MFH	DEMO DOOR	2ND AUX
12" COLD PLANER - MANUAL (12-22)	•	•	•	•	•	•	•	•	•	•	•	R					
12" COLD PLANER - HYD (12-22)			•	•	•	•	•	•	•	•	•	R			R		

FEATURES

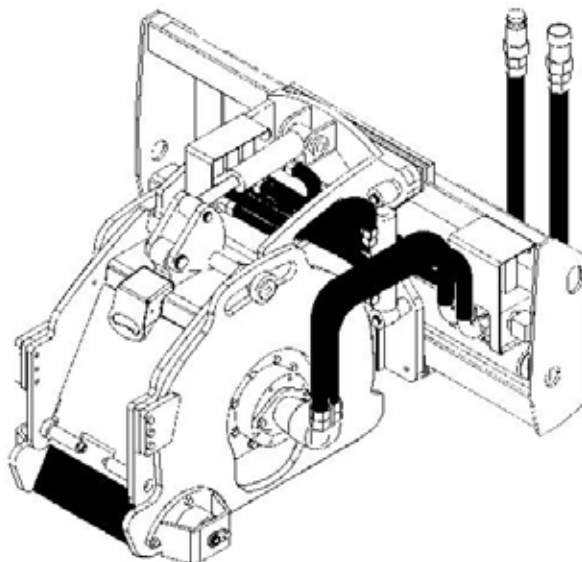
- Independent pivoting head for better contour tracking
- Removable wheels for planing next to curbs and obstructions
- Hinged cover for pick maintenance access
- Solid steel wheel construction (hardened) with greasable manifold pins and secluded zerks
- Pick maintenance tool included
- Plated and powder-coated surfaces offer resistance to harsh environments
- High rear spoil clearance to prevent recirculation of material
- T1 steel construction in high wear areas
- Depth and tilt position indicators
- Protective shields for hydraulic and electrical components
- Integral water nozzle ports
- Manual depth and tilt, hydraulic side shift – Standard on SP12M
- Fully electro-hydraulic, in-cab control for depth, tilt and side shift – Optional
- Planetary drive delivers high torque
- 19" drum diameter with 37 general purpose carbide picks on SP12H
- 0-5" cutting depth, 0-19" sideshift center to right
- ± 11° tilt capability
- Universal, general purpose picks standard

APPLICATIONS

- Planing frost heaves, expansion joints, and removing lane markings

REQUIREMENTS FOR OPERATION

- Standard auxiliary hydraulics
- Multi-function Control Kit (SP12H)



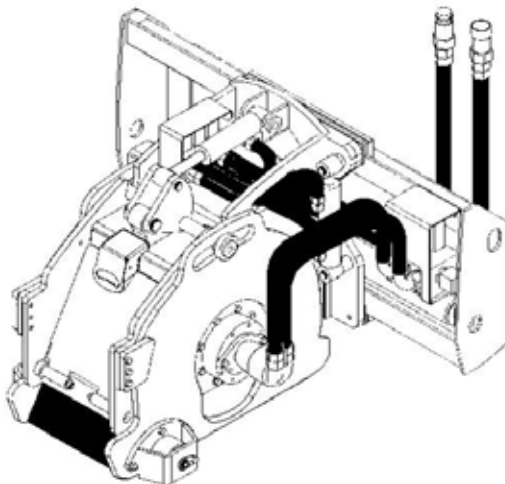


COLD PLANER – SPECIFICATIONS

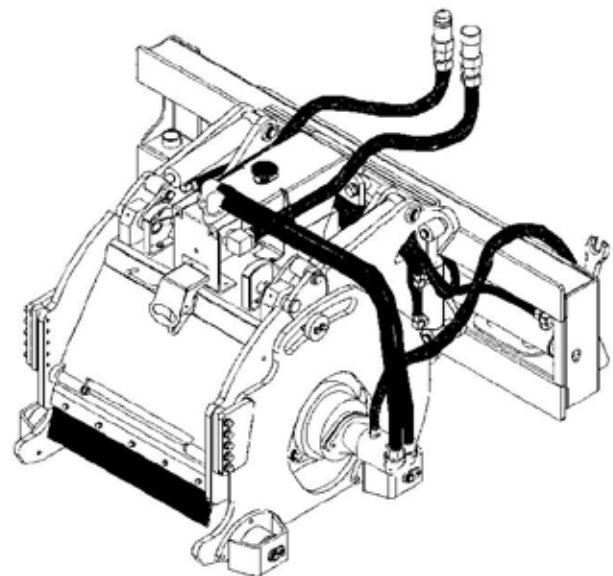
SKID STEER LOADERS/COMPACT TRACK LOADERS

SPECIFICATIONS						
MODEL	SP12	HP16*	HP18	HP24	HP30	HP 40
Operating Weight - lb. (kg)	1400 (635)	2100 (952)	2150 (975)	2350 (1066)	2550 (1157)	3100 (1338)
Cutting Depth - in. (mm)	0-5 (0-127)	0-5 (0-127)	0-5 (0-127)	0-5 (0-127)	0-5 (0-127)	0-5 (0-127)
Cutting Width - in. (mm)	12 (305)	16 (450)	18 (450)	24 (600)	30 (762)	40 (1016)
Drum Diameter - in. (mm)	19 (482)	22 (559)	22 (559)	22 (559)	22 (559)	22 (559)
Tilt	± 11°	± 8°	± 8°	± 8°	± 8°	± 8°
Sideshift - in. (mm)	0-19 (0-483) center to right	3-22 (76-560) center to right	3-22 (76-560) center to right	3-22 (76-560) center to right	3-22 (76-560) center to right	3-22 (76-560) center to right
Hydraulic requirement-gpm (l/m)	12- 22 (45-83)	22-28 or 31-35 (83-151 or 117-132)	22-28 or 31-35 (83-151 or 117-132)	31 - 35 (117-132)	31 - 35 (117-132)	31 - 35 (117-132)
Hydraulic requirement - psi (bar)	2500-3000 (172-206)	2500-3000 (172-206)	2500-3500 (172-241)	2500-3500 (172-241)	2500-3500 (172-241)	2500-3500 (172-241)
EHF Hydraulic requirement -psi (bar)				4000 (275)	4000 (275)	4000 (275)
Wheels/shoes	Both with independent left/right control	Both with independent left/right control	Both with independent left/right control	Both with independent left/right control	Both with independent left/right control	Both with independent left/right control
Drive	Planetary	Planetary	Planetary	Planetary	Planetary	Planetary
Controls	Manual - SP12 Hyd. - SP12H hydraulic optional	Full hydraulic with in-cab controls	Full hydraulic with in-cab controls	Full hydraulic with in-cab controls	Full hydraulic with in-cab controls	Full hydraulic with in-cab controls
No. of Carbide Picks	37	43	45	57	69	89

*16" drum installed in 18" housing.



SP12



HP24



COLD PLANER, LT SERIES

SKID STEER LOADERS/COMPACT TRACK LOADERS

All planers include hose and quick disconnects.

	PART NUMBER	WEIGHT LB
Standard Flow Cold Planers with manual depth, tilt and hydraulic side shift		
COLD PLANER - 12" Std flow (13-25 gpm)	48035217	1231
COLD PLANER - 16" Std flow (16-25 gpm)	48035218	1321
High Flow Cold Planers with hydraulic depth, tilt and side shift		
COLD PLANER - 16" High Flow (24-45 gpm)	48035219	1606
COLD PLANER - 18" High Flow (26-45 gpm)	48035220	1656
COLD PLANER - 24" High Flow (28-45 gpm)	48035221	1786
COLD PLANER - 30" High Flow (28-45 gpm)	48035222	1951
COLD PLANER - 36" High Flow (31-45 gpm)	48035223	2111

OPTIONAL EQUIPMENT (Must order harness adapter or electric kit for complete unit.)

Electric Harness Adapter - 14 pin round connector - for loaders with front electric kit.	87023319	1
Universal electric control kit for loaders without front electric kit	48038648	15

ADDITIONAL COMPONENTS (Order as needed)

Water nozzle kit, includes 4 spray nozzles, tubing and fitting to reach coupler on loader boom	48035330	7
--	----------	---

Pressurized Water Kit available. See "Water Kit" page for details.

MODEL COMPATIBILITY	L213	L215	L216	L218	L220	L221	L223	L225	L228	L230	L234	C227	C232	C234	C237	C238	REQ'D EQUIPMENT						
	L150	L160	L170	L175	L180	L185	L190	C175	C185	C190	STD FLOW	HIGH FLOW	EHF	CASE DRAIN	MFH	DEMO DOOR	2ND AUX						
COLD PLANER - 12" Std flow (13-25)	•	•	•	•	•	•	•	•	•	•	•	•	R										
COLD PLANER - 16" Std flow (16-25)		•	•	•	•	•	•	•	•	•	•	•	R										
COLD PLANER - 16" High Flow (24-45)		•	•	•	•	•	•	•	•	•	•	•		R	R	O							
COLD PLANER - 18" High Flow (26-45)		•	•	•	•	•	•	•	•	•	•	•		R	R	O							
COLD PLANER - 24" High Flow (28-45)		•	•	•	•	•	•	•	•	•	•	•		R	R	O							
COLD PLANER - 30" High Flow (28-45)				•	•	•	•	•	•	•	•	•		R	R	O							
COLD PLANER - 36" High Flow (31-45)					•	•	•	•	•	•	•	•		R	R	O							

FEATURES

- Side shifts 24" left or right to cut next to obstacles
- High flow models feature planetary gearbox drive for increased torque and durability
- Optimized pick pattern provides a faster cut by maximizing the horsepower per pick
- Std asphalt picks included
- Hoses and quick disconnects included

APPLICATIONS

- Make full depth utility cuts
- Mill frost heaves around manholes
- Restore proper drainage to pavement
- Add texture to pavement for skid resistance

REQUIREMENTS FOR OPERATION

- Front electric kit or universal electric control kit for high flow units
- Case drain for high flow units

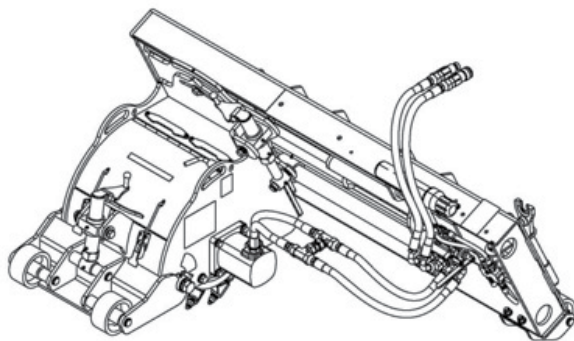
Cold Planers, LT Series (Continued next page)



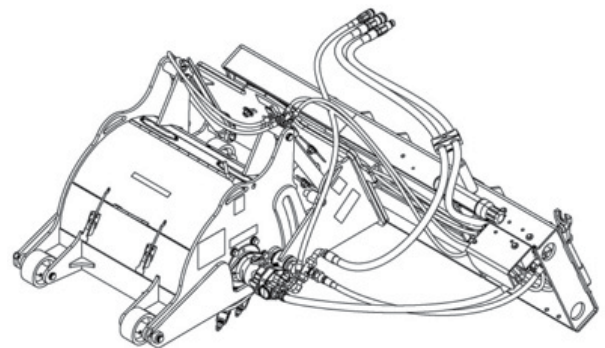
COLD PLANER, LT SERIES

SKID STEER LOADERS/COMPACT TRACK LOADERS

SPECIFICATIONS							
MODEL	12" Std flow	16" Std flow	16" HF	18" HF	24" HF	30" HF	36" HF
Operating Weight – lb. (kg)	1135 (515)	1225 (556)	1510 (685)	1560 (708)	1690 (767)	1855 (841)	2015 (914)
Cutting Depth – in. (mm)	0-5 (0-127)	0-5 (0-127)	0-6 (0-152)	0-6 (0-152)	0-6 (0-152)	0-6 (0-152)	0-6 (0-152)
Cutting Width – in. (mm)	12 (305)	16 (406)	16 (406)	18 (457)	24 (610)	30 (762)	36 (914)
Drum Diameter – in. (mm)	18.6 (472)	18.6 (472)	21.9 (556)	21.9 (556)	21.9 (556)	21.9 (556)	21.9 (556)
Tilt	± 15°	± 15°	± 15°	± 15°	± 15°	± 12.5°	± 10°
Side shift – in. (mm)	24 (610)	24 (610)	24 (610)	24 (610)	24 (610)	24 (610)	24 (610)
Hydraulic req. – gpm (l/m)	13-25 (45-95)	16-25 (60-95)	24-45 (91-170)	26-45 (98-170)	28-45 (106-170)	28-45 (106-170)	31-45 (117-170)
Hydraulic req. – psi (bar)	2200-3400 (152-235)	2200-3400 (152-235)	2200-5000 (152-345)	2200-5000 (152-345)	2200-5000 (152-345)	2200-5000 (152-345)	2200-5000 (152-345)
Drive	Direct	Direct	Planetary	Planetary	Planetary	Planetary	Planetary
Controls	Manual w/ hyd side shift diverter valve	Manual w/ hyd side shift diverter valve	Full hydraulic with in-cab controls	Full hydraulic with in-cab controls	Full hydraulic with in-cab controls	Full hydraulic with in-cab controls	Full hydraulic with in-cab controls
No. of Carbide Picks	36	44	48	52	64	76	88



Std Flow



High Flow



CONCRETE BUCKET

SKID STEER LOADERS/COMPACT TRACK LOADERS

Unit includes bucket, mounting bracket, hoses, quick couplers and chute extensions.

STANDARD AUXILIARY BOOM HYDRAULICS REQUIRED	PART NUMBER	WEIGHT LB
C50 CONCRETE BUCKET (1/2 yd cap.)	87027534	492
C75 CONCRETE BUCKET (3/4 yd cap.)	87027535	554

OPTIONAL COMPONENTS – (Order as needed)

90° CHUTE KIT – Allows chute to be positioned for left or right discharge.	48022262	76
--	----------	----

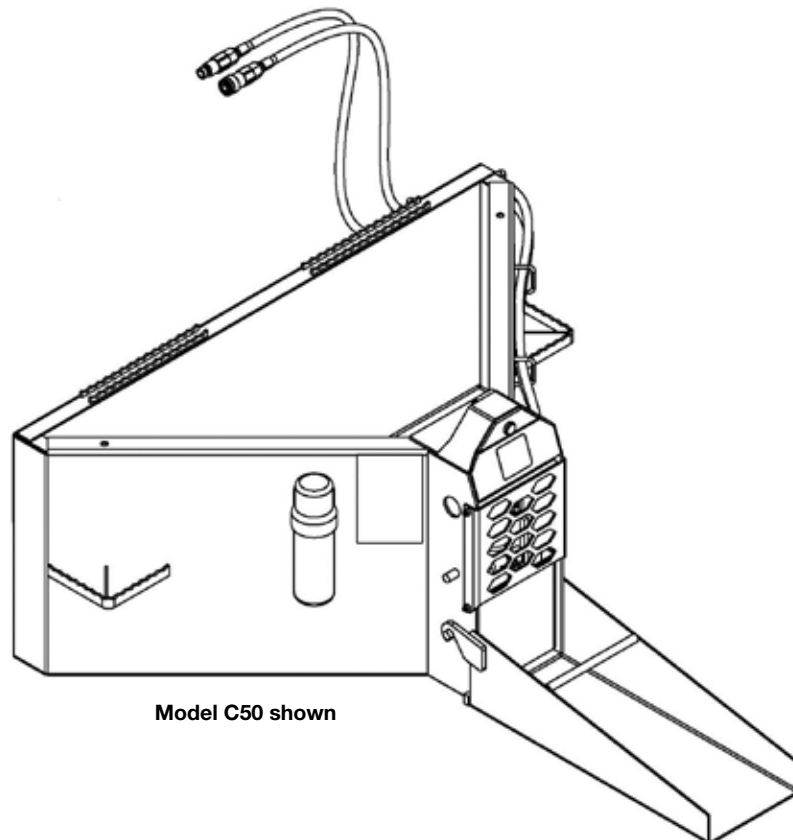
MODEL COMPATIBILITY	L213	L215	L216	L218	L220	L221	L223	L225	L228	L230	L234		C227	C232	C234	C237	C238	REQ'D EQUIPMENT				
	L150	L160	L170	L175	L180	L185	L190	C175						C185	C190	STD FLOW	HIGH FLOW	CASE DRAIN	MFH	DEMO DOOR	2ND AUX	
C50 CONCRETE BUCKET	•	•	•	•	•	•	•	•	•	•	•	•	•	•	•							
C75 CONCRETE BUCKET						•	•	•	•	•	•	•	•	•	•							

FEATURES

- Dispenses concrete safely and easily into column and wall forms
- Quick, clean and accurate placement of concrete without a wheelbarrow
- Hydraulically actuated gate for precise concrete metering
- Removable chute extension
- Safety door keeps co-workers safe from dispensing gate
- 58" wide. Can be easily picked up and transported in a standard 60" bucket
- Optional 90° chute kit

APPLICATIONS

- Ideal for pools and patios



Model C50 shown



CONCRETE CLAW

SKID STEER LOADERS/COMPACT TRACK LOADERS

	PART NUMBER	WEIGHT LB
CONCRETE CLAW	87045466	575

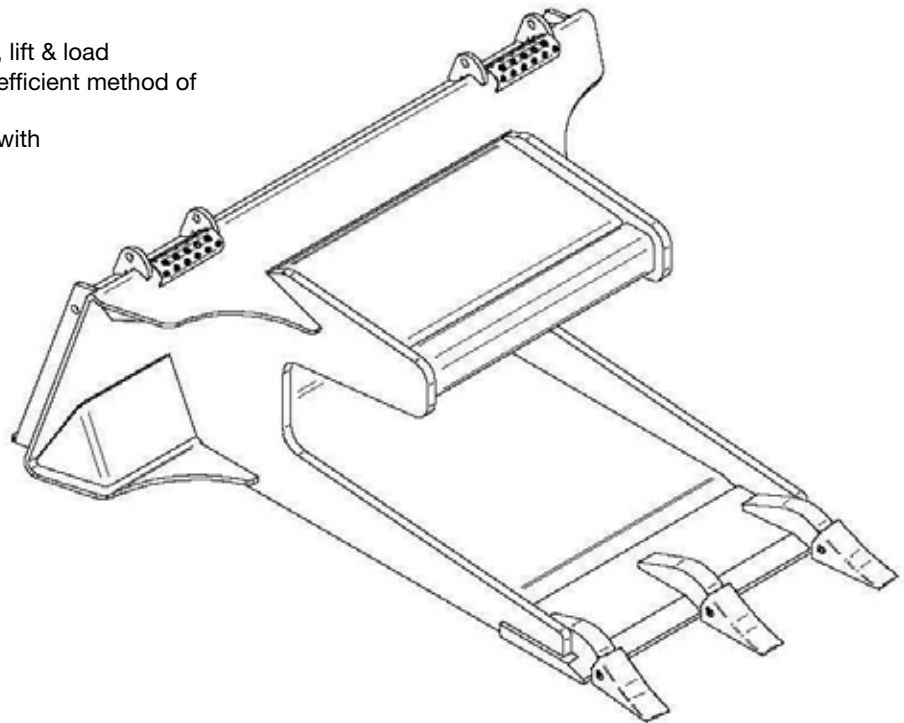
MODEL COMPATIBILITY	L213	L215	L216	L218	L220	L221	L223	L225	L228	L230	L234		C227		C232	C234	C237	C238	REQ'D EQUIPMENT						
	L150	L160	L170	L175	L180	L185	L190	C175		C185	C190								STD FLOW	HIGH FLOW	CASE DRAIN	MFH	DEMO DOOR	2ND AUX	
CONCRETE CLAW	•	•	•	•	•	•	•	•	•	•	•	•	•	•	•	•	•	•							

FEATURES

- Slide the claw teeth under the concrete, lift & load
- Allows for a cleaner, quicker, and more efficient method of concrete removal
- End plates and tooth shanks are made with high strength T-1 steel
- 1" x 8" wear resistant steel tapered cutting edge
- Features name-brand replaceable points with 1-1/2" wide shanks
- Rubberized flex pins securely fasten replaceable points

APPLICATIONS

- Excellent attachment for concrete removal on sidewalks, driveways or any construction site





DOZER BLADE

SKID STEER LOADERS/COMPACT TRACK LOADERS

STANDARD AUXILIARY BOOM HYDRAULICS REQUIRED Hydraulic Angle/Hydraulic Tilt with electric priority valve (must select wiring option below)	PART NUMBER	WEIGHT LB
72" PL1300 Dozer Blade	87015253	1480
84" PL1300 Dozer Blade	87015254	1570
96" PL1300 Dozer Blade	87015255	1644

WIRING OPTIONS (Must select one to complete package)

Wiring Kit (Includes: full wiring to cab and battery with cab-mounted switch.)	87015256	3
Wiring adapter kit (for use with loaders equipped with multifunction control kit. Includes adapter to 14-pin boom connector).	86602638	2

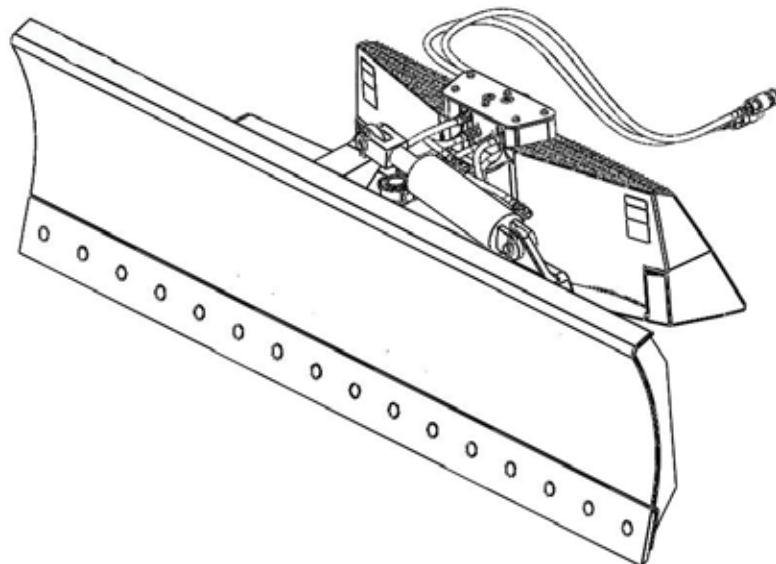
MODEL COMPATIBILITY	L213	L215	L216	L218	L220	L221	L223	L225	L228	L230	L234		C227		C232	C234	C237	C238	REQ'D EQUIPMENT					
	L150	L160	L170	L175	L180	L185	L190	C175		C185	C190								STD FLOW	HIGH FLOW	CASE DRAIN	MFH	DEMO DOOR	2ND AUX
72" DOZER BLADE	•	•	•	•	•	•	•	•	•	•	•	•	•	•					R			O		
84" DOZER BLADE		•	•	•	•	•	•	•	•	•	•	•	•	•	•				R			O		
96" DOZER BLADE			•	•	•	•	•	•	•	•	•	•	•	•	•	•			R			O		

FEATURES

- Rugged, heavy-duty cast moldboard and mounting frame
- Bolt-on reversible cutting edge
- Adjustable skid shoes – standard
- Blade angles 30 degrees left or right
- Blade tilts 10 degrees

APPLICATIONS

- Rough and finish grading as well as light dozing





GRADER RAKE

SKID STEER LOADERS/COMPACT TRACK LOADERS

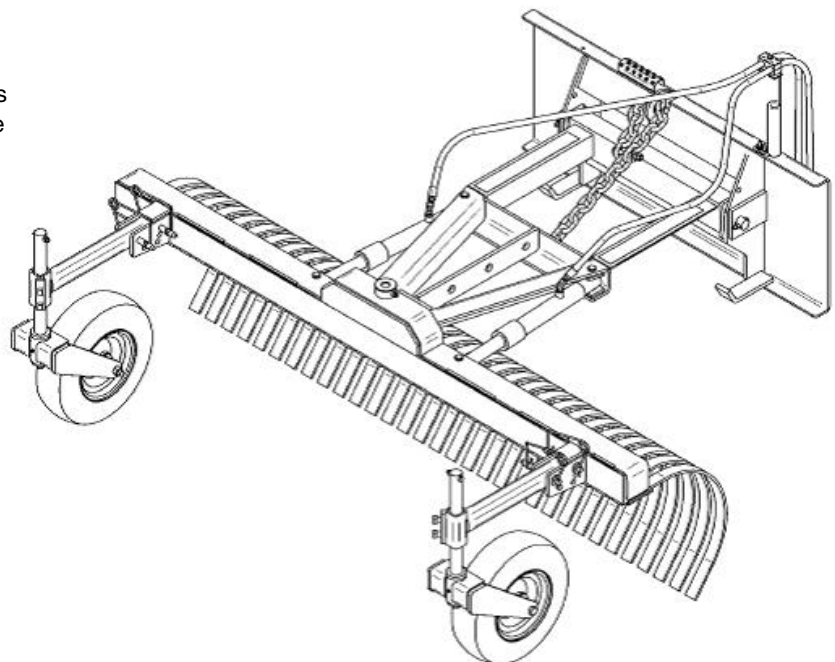
Unit includes hoses and quick disconnects.

STANDARD AUXILIARY BOOM HYDRAULICS REQUIRED	PART NUMBER	WEIGHT LB
82" Grader Rake	9862626	865
92" Grader Rake	9862627	885
97" Grader Rake	9862628	905
102" Grader Rake	9862629	925

MODEL COMPATIBILITY	L213 L215 L216	L218	L220 L221	L223	L225 L228	L230 L234		C227		C232 C234 C237 C238	REQ'D EQUIPMENT					
	L150	L160 L170	L175	L180	L185	L190	C175		C185 C190		STD FLOW	HIGH FLOW	CASE DRAIN	MFH	DEMO DOOR	2ND AUX
GRADER RAKE, 82"	•	•	•	•	•	•	•	•		•	R					
GRADER RAKE, 92"	•	•	•	•	•	•	•	•	•	•	R					
GRADER RAKE, 97"		•	•	•	•	•	•	•	•	•	R					
GRADER RAKE, 102"			•	•	•	•	•	•	•	•	R					

FEATURES

- Separates debris for site clean-up
- Scarifies and levels hard packed soil
- Full floating design follows compound grades
- Increases productivity over conventional rake by operating in a forward direction
- Oscillates from side-to-side for crowning roads
- Angles to 35° left or right
- Caster wheels out front for accurate leveling
- Hydraulic hoses included
- Tines increase digging action for grading
- Hydraulic quick disconnects included
- 16" x 4-1/2" tires (2)





GRAPPLE, BRUSH (CONSTRUCTION)

SKID STEER LOADERS/COMPACT TRACK LOADERS

BASE UNIT includes hoses and quick disconnects.

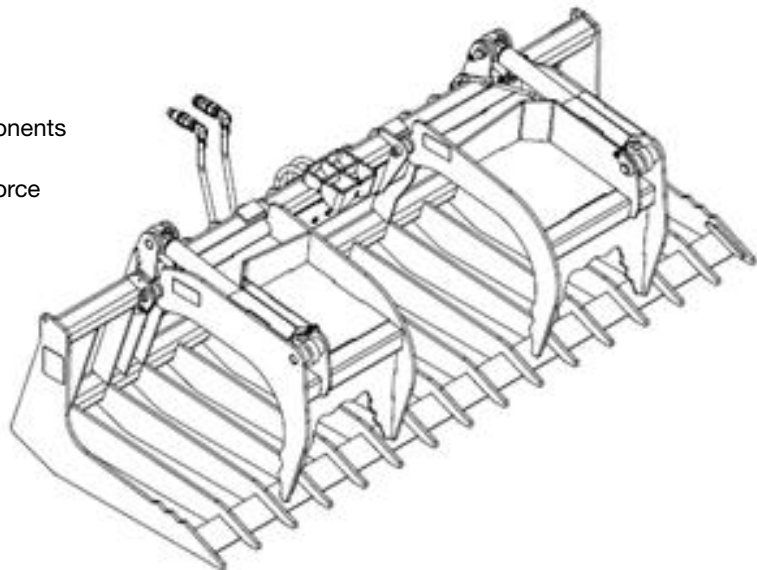
STANDARD AUXILIARY BOOM HYDRAULICS REQUIRED	PART NUMBER	WEIGHT LB
72" CONSTRUCTION BRUSH GRAPPLE *	87678203	925
78" CONSTRUCTION BRUSH GRAPPLE *	87678204	999
84" CONSTRUCTION BRUSH GRAPPLE *	87678205	1054
90" CONSTRUCTION BRUSH GRAPPLE *	87678206	1105

*Compatible with some CWL models

MODEL COMPATIBILITY	L213 L215 L216		L218	L220 L221	L223	L225 L228	L230 L234		C227		C232 C234 C237 C238	REQ'D EQUIPMENT					
	L150	L160	L170	L175	L180	L185	L190	C175		C185 C190		STD FLOW	HIGH FLOW	CASE DRAIN	MFH	DEMO DOOR	2ND AUX
72" BRUSH GRAPPLE (CONST.)			•	•	•	•	•	•	•			R					
78" BRUSH GRAPPLE (CONST.)				•	•	•	•	•	•		•	R					
84" BRUSH GRAPPLE (CONST.)					•	•	•			•	•	R					
90" BRUSH GRAPPLE (CONST.)					•	•	•			•	•	R					

FEATURES

- Dual, independent grapples
- 6" tine spacing
- Standard cylinder guards protect all cylinder components
- 1-1/4" cylinder pivot pins
- 1-1/4" x 24" grapple pins greatly reduce torsional force
- 1/2" end plates
- Cushioned and sleeved cylinders – 2" x 8" x 1-1/4"
- Standard load check valve for positive clamp force
- 100K PSI yield strength tine material
- Throat opening grapple open – 40"
- Throat opening grapple closed – 16-1/2"
- Overall depth – 39"





GRAPPLE, BRUSH (UTILITY)

SKID STEER LOADERS/COMPACT TRACK LOADERS

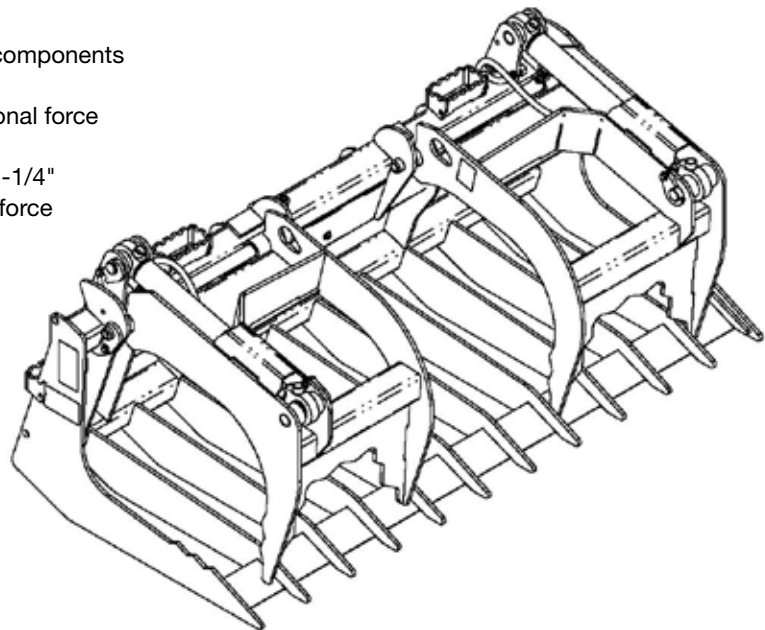
BASE UNIT includes hoses and quick disconnects.

	PART NUMBER	WEIGHT LB
66" UTILITY BRUSH GRAPPLE	47443894	810
72" UTILITY BRUSH GRAPPLE	47443895	845

MODEL COMPATIBILITY	L213	L215 L216	L218	L220 L221	L223	L225 L228	L230 L234		C227		C232 C234 C237 C238	REQ'D EQUIPMENT					
		L150	L160 L170	L175	L180	L185	L190	C175		C185 C190		STD FLOW	HIGH FLOW	CASE DRAIN	FRONT ELEC	DEMO DOOR	2ND AUX
66" UTILITY BRUSH GRAPPLE	•	•	•									R					
72" UTILITY BRUSH GRAPPLE		•	•	•				•				R					

FEATURES

- Dual, independent grapples
- 6" tine spacing
- Standard cylinder guards protect all cylinder components
- 1-1/4" cylinder pivot pins
- 1-1/4" x 24" grapple pins greatly reduce torsional force
- 3/8" end plates
- Cushioned and sleeved cylinders – 2" x 8" x 1-1/4"
- Standard load check valve for positive clamp force
- 100K PSI yield strength tine material
- Throat opening grapple open – 29"
- Throat opening grapple closed – 17-3/8"
- Overall depth – 36"





GRAPPLE, LOG

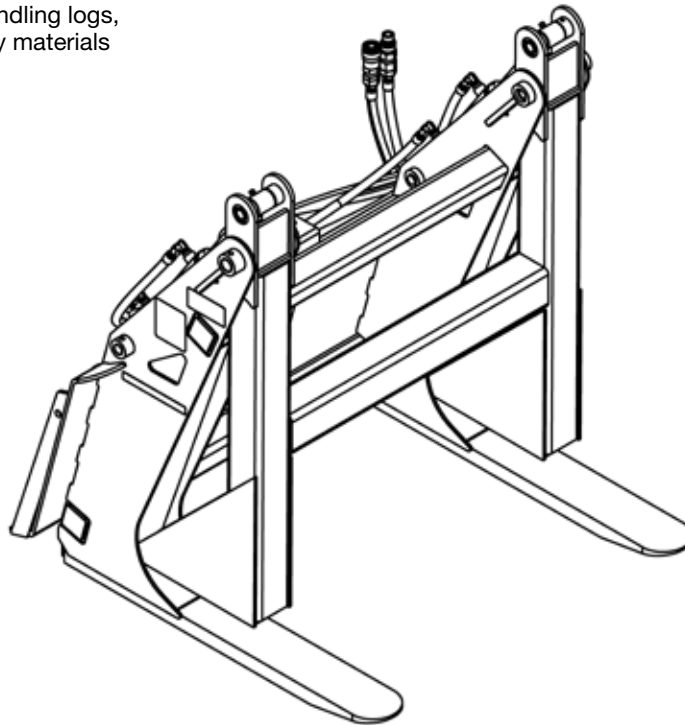
SKID STEER LOADERS/COMPACT TRACK LOADERS

STANDARD AUXILIARY BOOM HYDRAULICS REQUIRED	PART NUMBER	WEIGHT LB
LOG GRAPPLE	9863582	650

MODEL COMPATIBILITY	L213 L215 L216	L218	L220 L221	L223	L225 L228	L230 L234		C227		C232 C234 C237 C238	REQ'D EQUIPMENT					
	L150	L160 L170	L175	L180	L185	L190	C175		C185 C190		STD FLOW	HIGH FLOW	CASE DRAIN	MFH	DEMO DOOR	2ND AUX
LOG GRAPPLE	•	•	•	•	•	•	•	•	•	•	R					

FEATURES

- Excellent attachment for handling logs, piles, brush, and other bulky materials
- 2" x 8" hydraulic cylinders
- Closes to 6" log or pipe
- 43-1/8" open height
- 29-1/2" fork length





GRAPPLE, SCRAP (CONSTRUCTION)

SKID STEER LOADERS/COMPACT TRACK LOADERS

BASE UNIT includes hoses and quick disconnects.

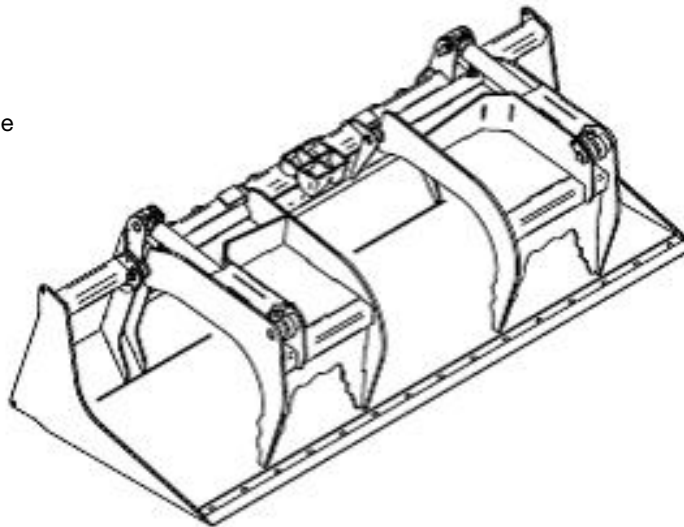
STANDARD AUXILIARY BOOM HYDRAULICS REQUIRED	PART NUMBER	WEIGHT LB
76" CONSTRUCTION SCRAP GRAPPLE *	87677285	1081
82" CONSTRUCTION SCRAP GRAPPLE *	87677286	1133
88" CONSTRUCTION SCRAP GRAPPLE *	87677287	1180

*Compatible with some CWL models

MODEL COMPATIBILITY	L213 L215 L216	L160	L170	L175	L223	L180	L185	L190	C175	C227	C185 C190	C232 C234 C237 C238	REQ'D EQUIPMENT				
	L150	L160	L170	L175	L180	L185	L190	C175	C185 C190	C232 C234 C237 C238	STD FLOW	HIGH FLOW	CASE DRAIN	MFH	DEMO DOOR	2ND AUX	
76" SCRAP GRAPPLE (CONST.)				•	•	•	•	•	•			•	R				
82" SCRAP GRAPPLE (CONST.)						•	•	•	•			•	R				
88" SCRAP GRAPPLE (CONST.)						•	•	•			•	•	R				

FEATURES

- Standard cylinder guards protect all cylinder components
- Standard load check valve for positive clamp force
- Dual independent grapples
- 1-1/4" cylinder pivot pins
- 1-1/4" x 24" grapple pins reduce torsional force
- 1/2" end plates
- Cushioned cylinders – 2" x 8" x 1-1/4"
- Bucket edge drilled for replaceable edge
- Throat opening grapple open – 40"
- Throat opening grapple closed – 20"
- Overall Depth – 38"



ACCESSORIES	
Width	Bolt-on Edge
76"	86577171
82"	86577173
88"	85999108



GRAPPLE, SCRAP (UTILITY)

SKID STEER LOADERS/COMPACT TRACK LOADERS

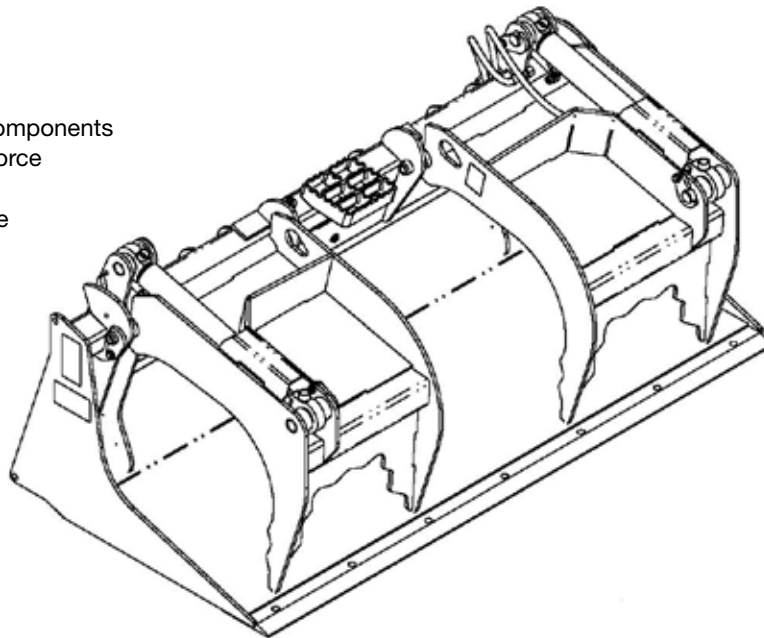
BASE UNIT includes hoses and quick disconnects.

	PART NUMBER	WEIGHT LB
60" UTILITY SCRAP GRAPPLE	47443885	808
66" UTILITY SCRAP GRAPPLE	47443886	858
72" UTILITY SCRAP GRAPPLE	47443887	905

MODEL COMPATIBILITY	L213	L215	L216	L218	L220	L221	L223	L225	L228	L230	L234		C227		C232	C234	C237	C238	REQ'D EQUIPMENT						
	L150	L160	L170	L175	L180	L185	L190	C175		C185	C190								STD FLOW	HIGH FLOW	CASE DRAIN	MFH	DEMO DOOR	2ND AUX	
60" UTILITY SCRAP GRAPPLE	•																		R						
66" UTILITY SCRAP GRAPPLE	•	•		•															R						
72" UTILITY SCRAP GRAPPLE		•		•								•							R						

FEATURES

- Includes hoses and quick disconnects
- Dual independent grapples
- Standard cylinder guards protect all cylinder components
- Standard load check valve for positive clamp force
- 1-1/4" cylinder pivot pins
- 1-1/4" x 24" grapple pins reduce torsional force
- 1/2" end plates
- Cushioned cylinders – 2" x 8" x 1-1/4"
- Bucket edge drilled for replaceable edge
- Throat opening grapple open – 34"
- Throat opening grapple closed – 19-3/4"
- Overall Depth – 36"



ACCESSORIES	
Width	Bolt-on Edge
60"	86577165
66"	86577167
72"	86577169



HARLEY POWER BOX RAKE®

SKID STEER LOADERS/COMPACT TRACK LOADERS

BASE UNIT includes rake head, angling mounting frame, quick disconnects and hoses.

STANDARD AUXILIARY BOOM HYDRAULICS REQUIRED	PART NUMBER	WEIGHT LB
POWER BOX RAKE, 72" MANUAL ANGLE	84160170	1150
POWER BOX RAKE, 72" HYDR ANGLE	84160171	1175
POWER BOX RAKE, 84" MANUAL ANGLE	84160172	1350
POWER BOX RAKE, 84" HYDR ANGLE	84160173	1400
POWER BOX RAKE, 90" MANUAL ANGLE	84160174	1620
POWER BOX RAKE, 90" HYDR ANGLE	84160175	1670

ADDITIONAL COMPONENTS (Must order Electric Control Kit for hyd. angle units)

Electric Control Kit for loaders not equipped with factory multi-function handle kit	84372934	5
Electric Control Kit for loaders equipped with new style multi-function handle kit w/14 pin round connector	87023319	2

MODEL COMPATIBILITY	L213 L215 L216		L218	L220 L221	L223	L225 L228	L230 L234		C227		C232 C234 C237 C238	REQ'D EQUIPMENT					
	L150	L160	L170	L175	L180	L185	L190	C175		C185 C190		STD FLOW	HIGH FLOW	CASE DRAIN	MFH	DEMO DOOR	2ND AUX
POWER BOX RAKE, 72" (MAN)	•	•	•	•	•			•	•			R					
POWER BOX RAKE, 72" (HYD)	•	•	•	•	•			•	•			R			O		
POWER BOX RAKE, 84" (MAN)			•	•	•	•	•	•	•		•	R					
POWER BOX RAKE, 84" (HYD)			•	•	•	•	•	•	•		•	R			O		
POWER BOX RAKE, 90" (MAN)					•	•	•	•	•	•	•	R					
POWER BOX RAKE, 90" (HYD)					•	•	•	•	•	•	•	R			O		

FEATURES

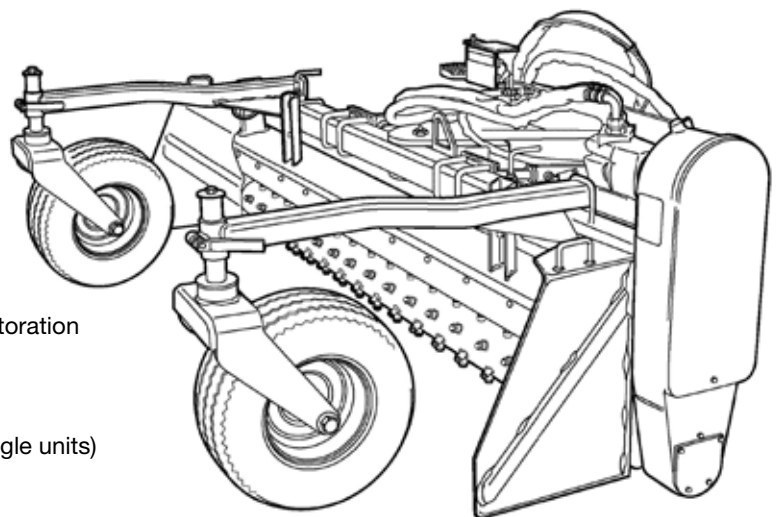
- Powered by standard skid steer auxiliary hydraulics
- Hydraulic motor drive
- Operates in forward and reverse
- Reversible end plates
- Adjustable dual gauge wheels
- Carbide tipped teeth
- Flat face hydraulic quick disconnects included
- Hoses included

APPLICATIONS

- Ideal for seedbed preparation, landscaping, trench restoration

REQUIREMENTS FOR OPERATION

- Standard auxiliary hydraulics, 11 to 20 GPM
- Auxiliary Multi-function control kit (Optional for hyd. angle units)





HYDRAULIC HAMMER

SKID STEER LOADERS/COMPACT TRACK LOADERS

COMPLETE BASE UNIT includes hammer body, side plates, SSL mounting bracket, hoses, quick disconnects andmoil point.

	PART NUMBER	WEIGHT LB
HH-2M HYDRAULIC HAMMER with single position mounting bracket	47450982	679
HH-2M HYDRAULIC HAMMER with 3 position mounting bracket	47450985	699
HH-3M HYDRAULIC HAMMER with single position mounting bracket	47450986	794
HH-3M HYDRAULIC HAMMER with 3 position mounting bracket	47450987	814
HH-4M HYDRAULIC HAMMER with single position mounting bracket	47450988	911
HH-4M HYDRAULIC HAMMER with 3 position mounting bracket	47450989	931
HH-5M HYDRAULIC HAMMER with single position mounting bracket	47450990	1128

ADDITIONAL COMPONENTS (Optional)

Auto Lube Kit - fits HH-2M to HH-5M	47766709	9
-------------------------------------	----------	---

ADDITIONAL COMPONENTS for HH-2M (Order as needed)

Moil Point (1 included with base hammer)	47451007	15
Chisel Point	47451008	17
Blunt Point	47451009	17
Frost Wedge (2.0" wide)	47451010	22
Asphalt Cutter (6" wide)	47451011	36
Tamping pad (8" X 8")	47451012	43

ADDITIONAL COMPONENTS for HH-3M (Order as needed)

Moil Point (1 included with base hammer)	47451018	26
Chisel Point	47451019	26
Blunt Point	47451021	28
Frost Wedge (2.3" wide)	47451022	39
Asphalt Cutter (6" wide)	47451023	36
Tamping pad (12" X 12")	47451024	119

ADDITIONAL COMPONENTS for HH-4M (Order as needed)

Moil Point (1 included with base hammer)	47451026	33
Chisel Point	47451027	33
Blunt Point	47451028	36
Frost Wedge (2.5" wide)	47451029	42
Asphalt Cutter (6" wide)	47451030	42
Tamping pad (12" X 12")	47451031	126

ADDITIONAL COMPONENTS for HH-5M (Order as needed)

Moil Point (1 included with base hammer)	47451037	48
Chisel Point	47451039	53
Blunt Point	47451040	51
Asphalt Cutter (6" wide)	47451041	71
Tamping pad (12" X 12")	47451042	130

Hydraulic Hammers (Continued next page)



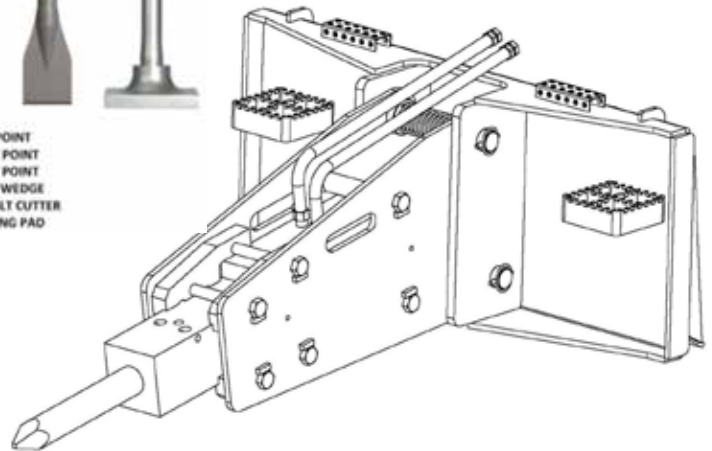
HYDRAULIC HAMMER

SKID STEER LOADERS/COMPACT TRACK LOADERS

MODEL COMPATIBILITY	L213	L215 L216		L218 L220 L221	L223	L225 L228	L230 L234		C227		C232 C234 C237 C238	REQ'D EQUIPMENT					
		L150	L160	L170 L175	L180	L185	L190	C175		C185 C190		STD FLOW	HIGH FLOW	CASE DRAIN	MFH	DEMO DOOR	2ND AUX
HH-2M HYDRAULIC HAMMER	•	•	•	•								R				R	
HH-3M HYDRAULIC HAMMER		•	•	•	•	•	•	•	•	•	•	R				R	
HH-4M HYDRAULIC HAMMER			•	•	•	•	•	•	•	•	•	R				R	
HH-5M HYDRAULIC HAMMER					•	•	•			•	•	R				R	

FEATURES

- Only 2 moving parts (piston and control valve) means less maintenance
- Will not dry-fire
- Low pressure gas charge
- Low recoil
- Low hydraulic surge
- Dual tool retainer pins
- Hoses and quick disconnects included
- Moil Point included
- Gas recharge kit included
- Operation/Service Parts Manual
- 3 Year Warranty
- Uses standard auxiliary hydraulics



APPLICATIONS

- Demolition, construction, road maintenance

REQUIREMENTS FOR OPERATION

- Standard auxiliary hydraulics
- Demolition door

SPECIFICATIONS				
	HH-2M	HH-3M	HH-4M	HH-5M
Impact class (ft-lb)	250	350	550	825
Blows per min.	600-1150	550-1000	580-1060	550-1000
Operating wt. – lbs. (kg)	512-552 (232-250)	780-800 (354-363)	879-899 (399-408)	1076 (488)
Tool diam. – in. (mm)	2.0 (51)	2.3 (58)	2.5 (64)	3.0 (76)
Input flow – gpm (l/min)	5.3-9.2 (20-35)	6.6-12 (25-45)	8-14.5 (30-55)	9.2-16 (35-61)

HAMMER ORDERING GUIDE			
Mounting configuration		Hammer Model	Hammer Part. No.
	Single position mount bracket	HH-2M	47450982
		HH-3M	47450986
		HH-4M	47450988
		HH-5M	47450990
	3 position mount bracket	HH-2M	47450985
		HH-3M	47450987
		HH-4M	47450989



LIFT BOOM

SKID STEER LOADERS/COMPACT TRACK LOADERS

	PART NUMBER	WEIGHT LB
LIFT BOOM 6'	86620002	400

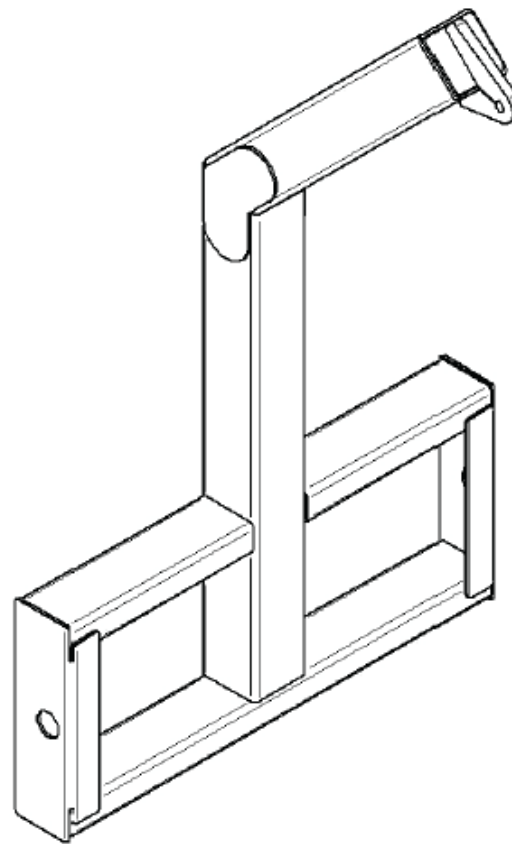
MODEL COMPATIBILITY	L213	L215	L216	L218	L220	L221	L223	L225	L228	L230	L234		C227		C232	C234	C237	C238	REQ'D EQUIPMENT						
	L150	L160	L170	L175	L180	L185	L190	C175		C185	C190								STD FLOW	HIGH FLOW	CASE DRAIN	FRONT ELEC	DEMO DOOR	2ND AUX	
LIFT BOOM	•	•	•	•	•	•	•	•	•	•	•	•	•	•	•	•	•	•							

FEATURES

- Overall width: 47"
- Loading depth: 25.1"
- Depth: 31"
- Overall height: 73.2"
- Reach: 83.1"
- Adds 6.5 ft. additional reach to loader

APPLICATIONS

- Ideal for moving trees/shrubs for transplanting
- Use to load and unload attachments, etc.
- Ideal for placing and removing concrete forms



Vertical Mast
 (70% of Operating Load, not to exceed 6,000 pounds)



Maximum Reach
 (30% of Operating Load, not to exceed 6,000 pounds)



LOAD MONITOR

SKID STEER LOADERS/COMPACT TRACK LOADERS

	PART NUMBER	WEIGHT LB
WEIGHLOG 100 Load Monitor (L/C 100 Series)	87026357	12
WEIGHLOG 200 Load Monitor (L/C100 Series)	84316806	14
WEIGHLOG 100 Load Monitor (L/C 200 Series)	84512810	12
WEIGHLOG 200 Load Monitor (L/C200 Series)	84512811	14

ADDITIONAL EQUIPMENT (Order as needed)

PRINTER KIT - for WL200 ONLY	84316810	1
------------------------------	----------	---

MODEL COMPATIBILITY	L150		L160 L170		L175		L180 L185		L190		C175		C185 C190		L213	L215	L216	L218	L220	L221	L223	L225	L228	L230	L234	C227	C232	C234	C237	C238
WEIGHLOG 100 - 87026357	•	•	•	•	•	•	•	•	•	•	•	•	•	•																
WEIGHLOG 200 - 84316806	•	•	•	•	•	•	•	•	•	•	•	•	•	•																
WEIGHLOG 100 - 84512810															•	•	•	•	•	•	•	•	•	•	•	•	•	•	•	•
WEIGHLOG 200 - 84512811															•	•	•	•	•	•	•	•	•	•	•	•	•	•	•	•

FEATURES

- Static or dynamic weighing
- 5 individual display channels
- Proven sensor technology
- Backlit LCD graphic display and keypad
- Measures, displays and records net weight based on lift system pressure
- Calibrate for any bucket, pallet fork, etc.
- Internal audible alarm
- Kit comes complete with:
 - Head unit
 - Heavy duty load sensor
 - Hydraulic fitting kit
 - Reference/direction sensors
 - Remote enter button
 - Installation kit
- WeighLog is not certified for legal sale of goods



SPECIFICATIONS		
MODEL	WL100	WL200
Operating Voltage	11 - 30 vdc	
Temperature Range	32°-102° (0°-50°C)	
System Accuracy	±2% (or better)	
Pressure Range	0-4350 psi (0-250bar)	
Speed Compensated Dynamic Weighing	No	Yes
Printer Compatible	No	Yes
Warranty	1 year/parts	



MANURE FORK AND MANURE FORK WITH GRAPPLE

SKID STEER LOADERS/COMPACT TRACK LOADERS

STANDARD AUXILIARY BOOM HYDRAULICS REQUIRED (for Grapple Option Only)	PART NUMBER	WEIGHT LB
MANURE FORK, 60"	84218737	500
MANURE FORK, 66"	84218738	515
MANURE FORK, 72"	84218739	525
MANURE FORK, 84"	84218740	575

OPTIONS

Grapple Attachment (requires standard auxiliary boom hydraulics. Includes hoses and quick disconnects)	84225454	130
--	----------	-----

MODEL COMPATIBILITY	L213 L215 L216			L218 L220 L221	L223	L225 L228	L230 L234		C227		C232 C234 C237 C238	REQ'D EQUIPMENT					
	L150	L160	L170 L175		L180	L185	L190	C175		C185 C190		STD FLOW	HIGH FLOW	CASE DRAIN	MFH	DEMO DOOR	2ND AUX
MANURE FORK, 60"	•	•	•									○					
MANURE FORK, 66"	•	•	•	•					•			○					
MANURE FORK, 72"			•	•	•	•	•	•	•		•	○					
MANURE FORK, 84"					•	•	•			•	•	○					

FEATURES

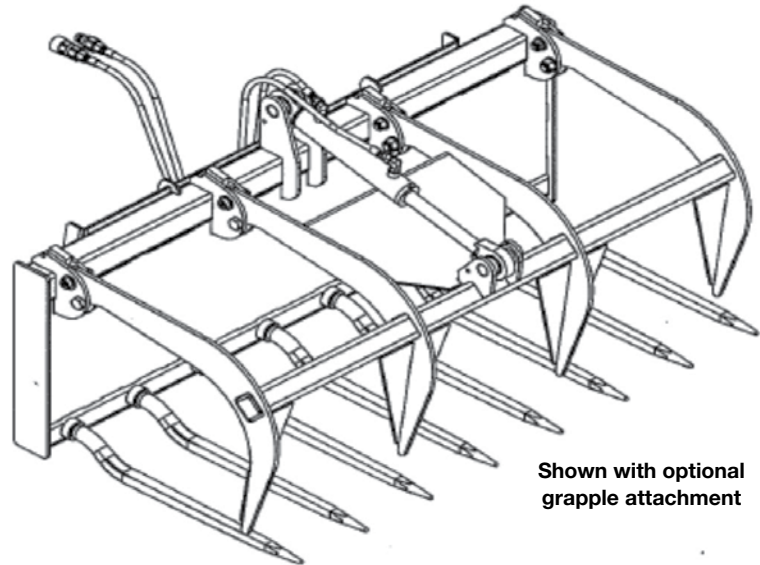
- All standard fork attachments are grapple-ready
- Heavy duty forged tines
- Single, heavy duty cylinder for grapple option
- Overall depth – 30"
- Overall height – 25"
- Grapple opening – 37"

APPLICATIONS

- Moves loose hay and manure
- Clean-up and transport branches, brush and limbs

REQUIREMENTS FOR OPERATION

- Standard auxiliary hydraulics for optional grapple



Shown with optional grapple attachment



MANURE SCRAPER

SKID STEER LOADERS/COMPACT TRACK LOADERS

	PART NUMBER	WEIGHT LB
MANURE SCRAPER 60"	84225455	376
MANURE SCRAPER 72"	84225456	413
MANURE SCRAPER 84"	84225457	472
MANURE SCRAPER 96"	84225458	508

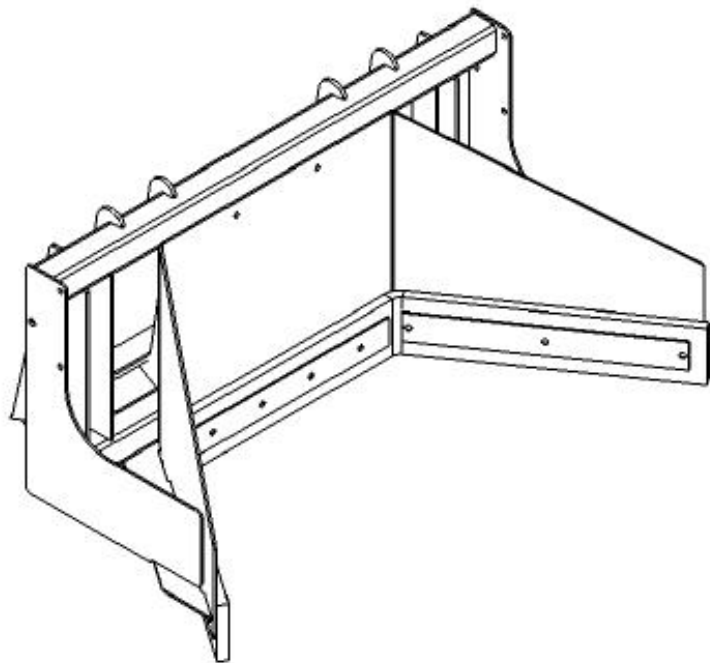
MODEL COMPATIBILITY	L213	L215	L216		L218	L220	L221	L223	L225	L228	L230	L234		C227		C232	C234	C237	C238	REQ'D EQUIPMENT						
	L150	L160	L170	L175		L180	L185	L190	C175		C185	C190								STD FLOW	HIGH FLOW	CASE DRAIN	MFH	DEMO DOOR	2ND AUX	
60" MANURE SCRAPER	•	•	•																							
72" MANURE SCRAPER	•	•	•	•	•	•	•	•	•	•	•	•	•	•	•											
84" MANURE SCRAPER		•	•	•	•	•	•	•	•	•	•	•	•	•	•											
96" MANURE SCRAPER						•	•	•	•	•	•	•	•	•	•											

FEATURES

- 30" overall height, 31" overall depth
- 1" x 6" reversible rubber edge
- Tapered end blades for improved visibility

APPLICATIONS

- Feedlot clean-up
- Flood clean-up
- Waste water clean-up
- Snow removal





MULCHER

SKID STEER LOADERS/COMPACT TRACK LOADERS

Unit includes head, teeth, mounting bracket, wire harness, hoses and quick coupler.

	PART NUMBER	WEIGHT LB
MULCHER - MM60 with double carbide teeth	84523770	2560
MULCHER - MM60 with double claw teeth	84554133	2560

Replacement Tooth Sets

Set Double Edge Carbide Teeth	84553733	140
Set Double Edge Claw Teeth	84553734	146

MODEL COMPATIBILITY	L213	L215	L216	L218	L220	L221	L223	L225	L228		L230	L234	C227		C232	C237	C234	C238	REQ'D EQUIPMENT						
	L150	L160		L170	L175		L180	L185		L190			C175	C185	C190				STD FLOW	HIGH FLOW	EHF	CASE DRAIN	MFH	DEMO DOOR	2ND AUX
60" CUTTER/MULCHER											•							•	R		R	R	R	R	

TOOTH OPTIONS

- Carbide teeth are general purpose use and provide longer life – Best Applications are full land clearing situations where all vegetation must be reduced to or below grade
- Claw teeth provide high productivity and smaller chip size in applications that do not require require reduction of tree stumps/woody stubs at or below grade – Best use is in right-of-way or other maintenance applications
- Both carbide and claw teeth are available in double-sided (reversible) sets for extended life
- Carbide teeth are available in single (non-reversible) configuration for lower replacement cost

REQUIREMENTS FOR OPERATION

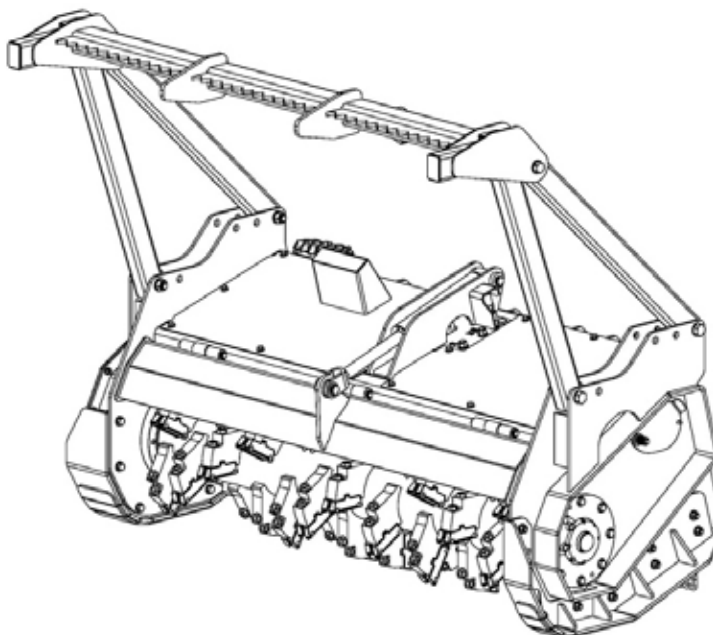
- EHF High Flow
- Multi-function Control Kit
- Case drain
- Demolition door

FEATURES

- Low profile design weighing 2,560 lbs.
- Includes hydraulic front deflector door and hydraulic pressure sight gauge
- 44 cutting hammers on the rotors can be changed with impact wrench in less than 45 minutes
- Rotor operates at 2,000 rpm and has four second recovery time from dead stall stop

APPLICATIONS

- Land clearing
- Right-of-way maintenance
- Vegetation management
- Wildfire prevention
- Mulch trees and brush to ground level





PALLET FORK

SKID STEER LOADERS/COMPACT TRACK LOADERS

COMPLETE UNITS include fork frame and tines

	PART NUMBER	WEIGHT LB
PALLET FORK ASSEMBLY - 42" Tines - 2,500 lb. rated	48188360	346
PALLET FORK ASSEMBLY - 48" Tines - 2,500 lb. rated	48188361	359
PALLET FORK ASSEMBLY - 42" Tines - 4,000 lb. rated	48188362	399
PALLET FORK ASSEMBLY - 48" Tines - 4,000 lb. rated	48188363	416
PALLET FORK ASSEMBLY - 42" Tines - 5,500 lb. rated	48188365	416
PALLET FORK ASSEMBLY - 48" Tines - 5,500 lb. rated	48188366	438

ADDITIONAL EQUIPMENT (Order as needed)

FORK FRAME ONLY	48188358	220
TINE SET (2 tines) 42" - 2,500 lb. rated, 1.2" x 3" x 42"	48188367	126
TINE SET (2 tines) 48" - 2,500 lb. rated, 1.2" x 3" x 48"	48188368	129
TINE SET (2 tines) 42" - 4,000 lb. rated, 1.4" x 4" x 42"	84354440	179
TINE SET (2 tines) 48" - 4,000 lb. rated, 1.4" x 4" x 48"	84354441	196
TINE SET (2 tines) 42" - 5,500 lb. rated, 1.6" x 4" x 42"	84332183	196
TINE SET (2 tines) 48" - 5,500 lb. rated, 1.6" x 4" x 48"	84332184	218

MODEL COMPATIBILITY	L213	L215	L216	L218	L220	L221	L223	L225	L228	L230	L234	C227	C232	C234	C237	C238	REQ'D EQUIPMENT			
	L150	L160	L170	L175	L180	L185	L190	C175	C185	C190	STD FLOW	HIGH FLOW	CASE DRAIN	MFH	DEMO DOOR	2ND AUX				
PALLET FORKS - 2,500 lb. rated	•																			
PALLET FORKS - 4,000 lb. rated	•			•			•					•								
PALLET FORKS - 5,500 lb. rated	•		•				•			•		•								

FEATURES

- Heat-treated tines, manually adjustable
- Locking position pins
- High visibility back guard
- Steps for easy entry to cab
- Frame forward design for use on ROPS or cab units

Light Duty Tines

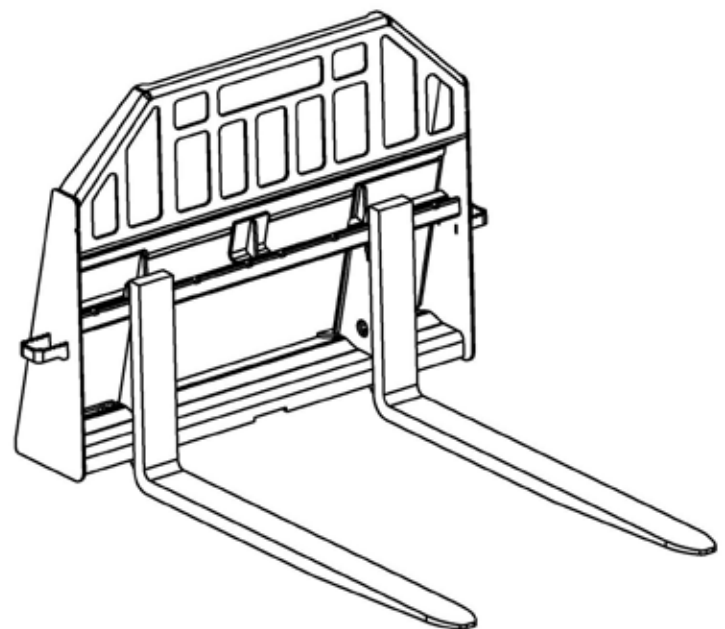
- 42" (1067mm) or 48" (1219mm) length
- 1.2" x 3" (30mm x 80mm) cross-section
- 2500# (1140 kg) - Rated at 24" (600mm) - 2 tines

Standard Tines

- 42" (1067mm) or 48" (1219mm) length
- 1.4" x 4" (35mm x 100mm) cross-section
- 4000# (1800 kg) - Rated at 24" (600mm) - 2 tines

Heavy Duty Tines

- 42" (1067mm) or 48" (1219mm) length
- 1.6" x 4" (40mm x 100mm) cross-section
- 5500# (2500 kg) - Rated at 24" (600mm) - 2 tines



APPLICATIONS

- Handling pallets and construction materials

Pallet Forks (Continued next page)



PALLET FORK (ROPS)

SKID STEER LOADERS/COMPACT TRACK LOADERS

COMPLETE UNITS include fork frame and tines

	PART NUMBER	WEIGHT LB
PALLET FORK ASSEMBLY - 42" Tines - 4,000 lb. rated	84354434	401
PALLET FORK ASSEMBLY - 48" Tines - 4,000 lb. rated	84354436	418
PALLET FORK ASSEMBLY - 42" Tines - 5,500 lb. rated	84332178	418
PALLET FORK ASSEMBLY - 48" Tines - 5,500 lb. rated	84332179	440

ADDITIONAL EQUIPMENT (Order as needed)

FORK FRAME ONLY	84348692	222
TINE SET (2 tines) 42" - 4,000 lb. rated, 1.4" x 4" x 42"	84354440	179
TINE SET (2 tines) 48" - 4,000 lb. rated, 1.4" x 4" x 48"	84354441	196
TINE SET (2 tines) 42" - 5,500 lb. rated, 1.6" x 4" x 42"	84332183	196
TINE SET (2 tines) 48" - 5,500 lb. rated, 1.6" x 4" x 48"	84332184	218

MODEL COMPATIBILITY	L213	L215	L216	L218	L220	L221	L223	L225	L228	L230	L234	C227	C232	C234	C237	C238	REQ'D EQUIPMENT			
	L150	L160	L170	L175	L180	L185	L190	C175	C185	C190	STD FLOW	HIGH FLOW	CASE DRAIN	MFH	DEMO DOOR	2ND AUX				
PALLET FORKS - 4,000 lb. rated	•	•		•								•								
PALLET FORKS - 5,500 lb. rated	•	•		•						•		•								

FEATURES

- Heat-treated tines, manually adjustable
- Locking position pins
- High visibility back guard
- Steps for easy entry to cab
- ROPS frame:
 - Original design
 - Close-coupled frame
 - High lift capacity
 - Back guard contact with fully open cab door on some models

Standard Tines

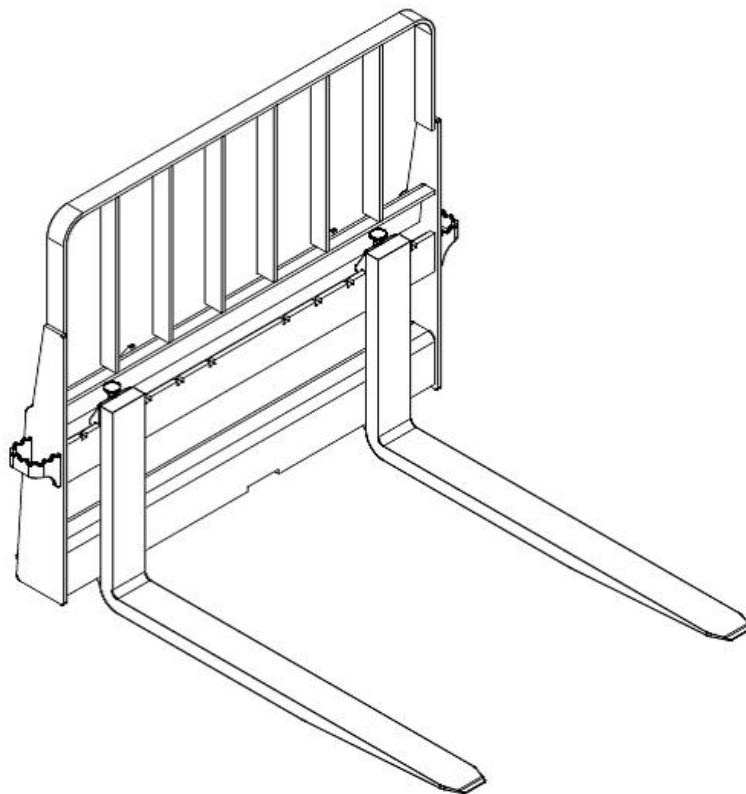
- 42" (1067mm) or 48" (1219mm) length
- 1.4" x 4" (35mm x 100mm) cross-section
- 4000# (1800 kg) - Rated at 24" (600mm) - 2 tines

Heavy Duty Tines

- 42" (1067mm) or 48" (1219mm) length
- 1.6" x 4" (40mm x 100mm) cross-section
- 5500# (2500 kg) - Rated at 24" (600mm) - 2 tines

APPLICATIONS

- Handling pallets and construction materials





PALLET/NURSERY FORK - HYDRAULIC POSITIONING

SKID STEER LOADERS/COMPACT TRACK LOADERS

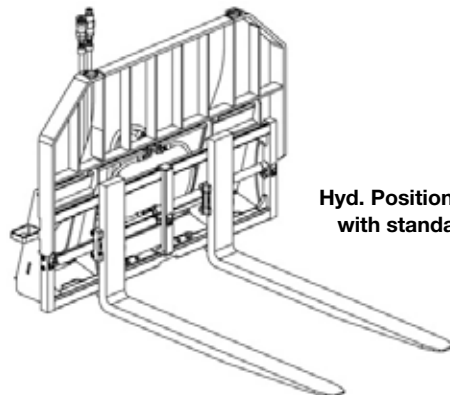
Complete units include tines, hoses and quick disconnects.

	PART NUMBER	WEIGHT LB
COMPLETE UNITS		
PALLET FORKS, Hyd. Positioning with 42" Tines	47909707	571
PALLET FORKS, Hyd. Positioning with 48" Tines	47909708	592
NURSERY FORKS, Hyd. Positioning with 48" Tines and Nursery Sleeves	48124313	831
FRAME ONLY		
PALLET FORKS, Hyd. Positioning, Frame Only without tines (use std ITA Class II, 3" or 4" width tines)	47909711	376
OPTIONAL EQUIPMENT (Order as needed)		
KIT, Tines and Nursery Sleeves only	48124315	400

MODEL COMPATIBILITY	L213	L215	L216	L218	L220	L221	L223	L225	L228	L230	L234	C227	C232	C234	C237	C238	REQ'D EQUIPMENT					
	L150	L160	L170	L175	L180	L185	L190	C175	C185	C190	STD FLOW	HIGH FLOW	CASE DRAIN	MFH	DEMO DOOR	2ND AUX						
PALLET FORKS, Hyd. Positioning, 42" Tines	•	•	•	•	•	•	•	•	•	•	•	•	•	•	•	•	•	R				
PALLET FORKS, Hyd. Positioning, 48" Tines	•	•	•	•	•	•	•	•	•	•	•	•	•	•	•	•	•	R				
NURSERY FORKS, Hyd. Positioning, 48" Tines and Nursery Sleeves	•	•	•	•	•	•	•	•	•	•	•	•	•	•	•	•	•	R				

FEATURES

- Hydraulically position tines from 10" to 44" spacing (outside to outside)
- Excellent operator visibility
- Steps for easy entry to cab
- Zinc plated, corrosion resistant components
- Center mount, 4 inch wide fork carriers
- 42/48" Tines - 1-1/2" x 4" cross-section
- 5500#/pair ITA Class II rated tines
- Hoses and flat face hydraulic disconnects included
- The slip-on nursery sleeves protect the tree root ball when clamping and transporting



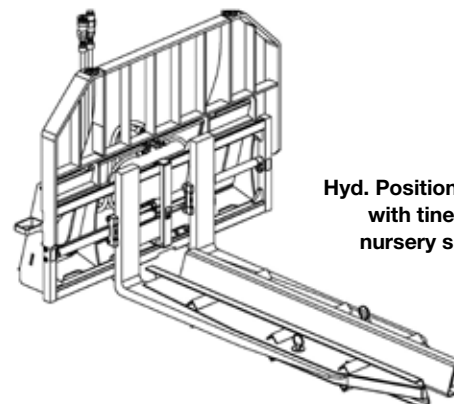
Hyd. Positioning frame with standard tines

APPLICATIONS

- Handling pallets and construction materials
- Nursery Forks – pick up and transport nursery stock

REQUIREMENTS FOR OPERATION

- Standard auxiliary hydraulics



Hyd. Positioning frame with tines and nursery sleeves



POST DRIVER

SKID STEER LOADERS/COMPACT TRACK LOADERS

Base Unit includes hoses and quick disconnects.

	PART NUMBER	WEIGHT LB
POST DRIVER - MODEL PD4800	84258059	1385

COMPLETING KITS (Must select one for complete unit)

Square collar and striker plate assy 3.5"	84258062	63
Square collar and striker plate assy 6"	84258063	65
Square collar and striker plate assy 8"	84258064	66
Collar and striker plate assy 6" X 8"	84258065	64

OPTIONAL EQUIPMENT (Order as needed)

Round collar, 3"	84258066	15
Square collar, 3.5"	84258067	15
Round collar, 4"	84258068	15
H beam collar 4" X 6"	84258070	15
Round collar, 6"	84258071	15
Square collar, 6"	84258073	15
Square collar, 8"	84258074	15
Collar, 6" X 8"	84258076	15
T post adapter (use w/ 6" round or 6" square collar)	84258078	15

MODEL COMPATIBILITY	L213	L215 L216	L218	L220 L221	L223	L225 L228	L230 L234		C227		C232 C234 C237 C238	REQ'D EQUIPMENT					
		L150	L160 L170	L175	L180	L185	L190	C175		C185 C190		STD FLOW	HIGH FLOW	CASE DRAIN	MFH	DEMO DOOR	2ND AUX
POST DRIVER			•	•	•	•	•	•	•	•	•	R					

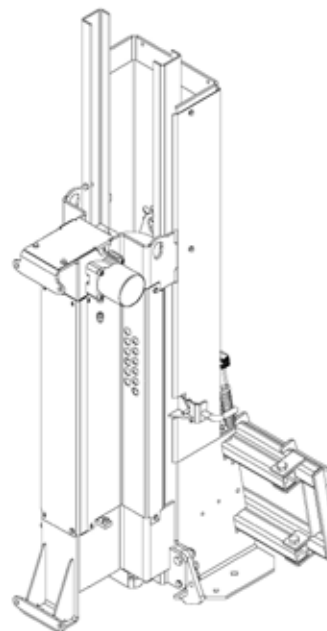
FEATURES

- May be used with Tilt-Attach
- Manual side shift
- 24 gpm maximum flow
- Quick change striker plate and collar assemblies
- Designed for smooth operation with no shock load back to the skid steer

REQUIREMENTS FOR OPERATION

- Standard auxiliary hydraulics

SPECIFICATIONS	
Length	38.69"
Width	54.25"
Height	91.48"
Maximum stroke	48"
Weight (lbs)	1,360
Hammer weight, standard (lbs)	289
Maximum hammer wt (lbs)	600
Strokes per minute	42
Minimum hydraulic pressure	2000 psi
Maximum flow	24 gpm
Impact energy w/289 lb wt	1,156 ft-lb
Impact energy w/600 lb wt	2,400 ft-lb





POST PULLER

SKID STEER LOADERS/COMPACT TRACK LOADERS

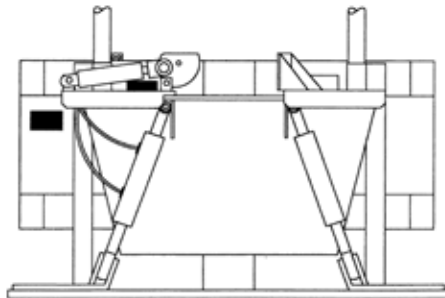
Unit includes mounting brackets, hoses, quick disconnects, interchangeable V and double cam jaws.

STANDARD FLOW AUXILIARY BOOM HYDRAULICS REQUIRED	PART NUMBER	WEIGHT LB
POST PULLER P1200	87027537	900

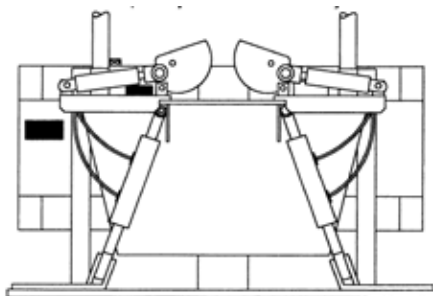
MODEL COMPATIBILITY	L213 L215 L216	L218	L220 L221	L223	L225 L228	L230 L234		C227		C232 C234 C237 C238	REQ'D EQUIPMENT					
	L150	L160 L170	L175	L180	L185	L190	C175		C185 C190		STD FLOW	HIGH FLOW	CASE DRAIN	MFH	DEMO DOOR	2ND AUX
POST PULLER	•	•	•	•	•	•	•	•	•	•	R					

FEATURES

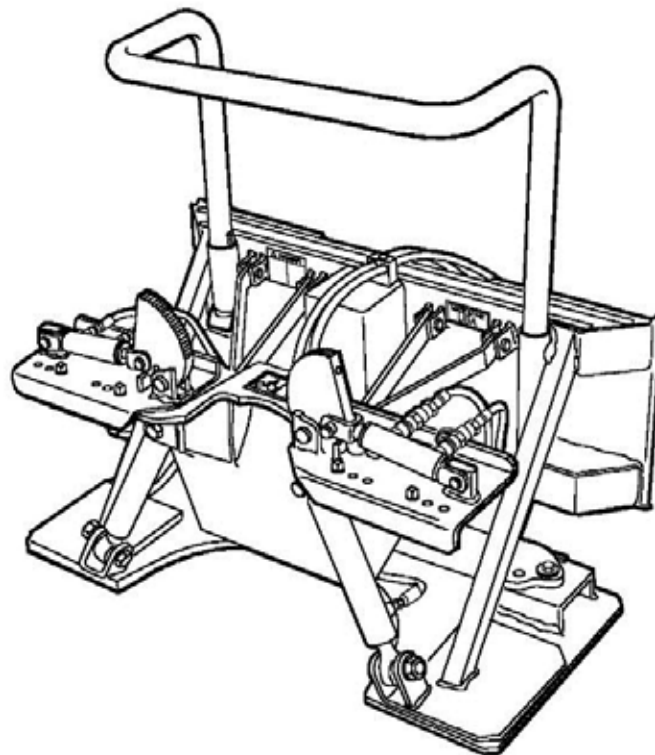
- 17,000 Lb. pulling force
- Will pull up from 1" to 7-1/2" round posts, guardrail, T-posts, H-posts
- No dangerous chains
- Push bar prevents post from entering cab
- Includes interchangeable V-jaw and double cam jaw
- Unused jaw assembly stores on unit
- Allows one person to safely pull wood posts, steel posts and guardrail in seconds, with one smooth motion



V-Jaw



Double Cam Jaw





PREPARATOR® LANDSCAPE RAKE

SKID STEER LOADERS/COMPACT TRACK LOADERS

Package includes complete unit with mounting plate, hoses and quick couplers.

REQUIRES STANDARD AUXILIARY BOOM HYDRAULICS	PART NUMBER	WEIGHT LB
PREPARATOR® LANDSCAPER GRADER RAKE, 66"	9863807	1450
PREPARATOR® LANDSCAPER GRADER RAKE, 76"	9863808	1550

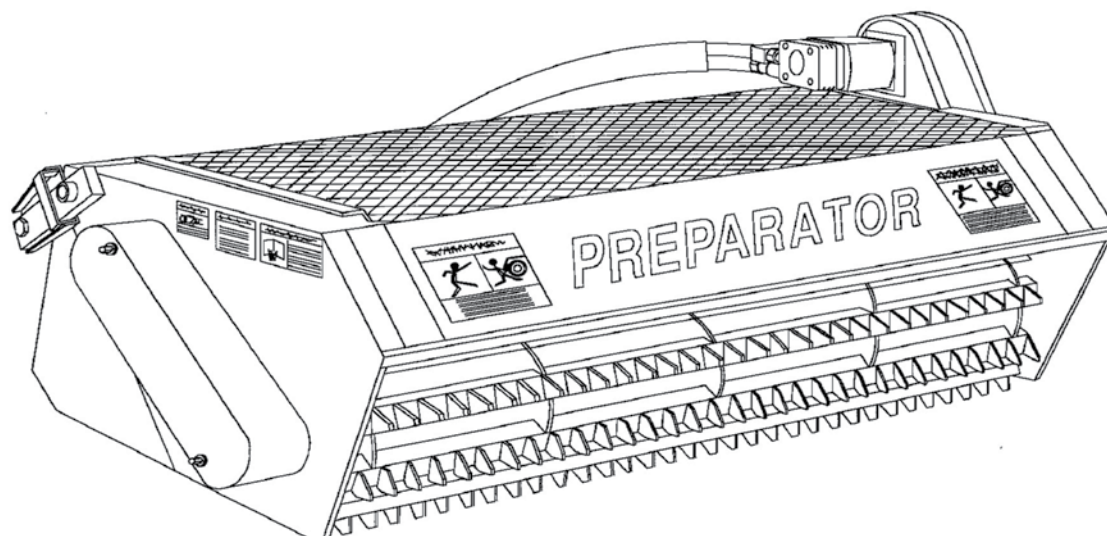
MODEL COMPATIBILITY	L213 L215 L216		L218	L220 L221	L223	L225 L228	L230 L234		C227		C232 C234 C237 C238	REQ'D EQUIPMENT					
	L150	L160	L170	L175	L180	L185	L190	C175		C185 C190		STD FLOW	HIGH FLOW	CASE DRAIN	MFH	DEMO DOOR	2ND AUX
PREPARATOR - 66"	•	•	•	•	•			•	•			R					
PREPARATOR - 76"			•	•	•	•	•	•	•	•	•	R					

FEATURES

- Conditions the soil with scarifying action while picking up debris
- Picks up rocks from 3/4" to 6" diameter
- Ruggedly built to withstand constant use
- 1/2" flat face couplers on Preparator for current model skid-steer loaders

APPLICATIONS

- An all-in-one landscaping tool; levels out ridges and ruts; cuts out grass that needs reseeding; prepares soil for planting



Preparator Landscape Grader Rake (Continued next page)



PREPARATOR® LANDSCAPE RAKE

SKID STEER LOADERS/COMPACT TRACK LOADERS

SPECIFICATIONS		
MODEL	PREPARATOR 66"	PREPARATOR 76"
BUCKET		
Capacity	10.32 ft ³ (0.29m ³)	12.50 ft ³ (0.35m ³)
Overall Width	74.75 in. (190 cm)	84.75 in. (215 cm)
Swath Width	66.0 in. (168 cm)	76.0 in. (193 cm)
Overall Height	25.53 in. (65 cm)	25.53 in. (65 cm)
Overall Length	60.13 in. (153 cm)	60.13 in. (153 cm)
DRUM		
RPM-r/min	0 - 86	0 - 86
Overall Diameter	12.5 in. (54.6 cm)	21.5 in. (54.6 cm)
Rake Bar (square steel tubing)	2 in. x 2 in. (50.8 x 50.8 mm)	2 in. x 2 in. (50.8 x 50.8 mm)
Teeth	T-1 Steel	T-1 Steel
Tooth Thickness	0.19 in. (4.82 mm)	0.19 in. (4.82 mm)
Tooth Length	2.19 in. (55.6 mm)	2.19 in. (55.6 mm)
Number of Teeth	310	350
HYDRAULIC MOTOR		
Operating RPM Range	10 - 18 gpm (38 - 61 L/min) @ 2300 psi (15 858 kPa)	10 - 18 gpm (38 - 61 L/min) @ 2300 psi (15 858 kPa)
Horsepower	12 - 23 (8.9 - 17.1 kW)	12 - 23 (8.9 - 17.1 kW)
Torque	11,701 lb-in (1322 N-m)	11,701 lb-in (1322 N-m)
DRIVE CHAINS		
Rake Drive	#80H Roller Chain	#80H Roller Chain
Brush Drive	#50H Roller Chain	#50H Roller Chain
Overall Weight	1,270 lb (576 kg)	1,465 lb (664 kg)



REAR STABILIZER

SKID STEER LOADERS/COMPACT TRACK LOADERS

BASE STABILIZER PACKAGE includes rear stabilizers (less pads) and mounting brackets. Hydraulic kits required as indicated.

REQUIRES STANDARD AUXILIARY BOOM HYDRAULICS	PART NUMBER	WEIGHT LB
STABILIZER PKG, 100 Series (includes flat pads)	86619893	400
STABILIZER PKG, 200 Series	84518504	460
STABILIZER PKG, 200 Series	84518505	480

ADDITIONAL COMPONENTS FOR 100 SERIES LOADERS

(Must order mounting kit and hydraulic kit as indicated for complete unit.)

MOUNTING KIT LS160, LS170, L160, L170, L175, C175	86619894	110
MOUNTING KIT for LS180, LS190	86619895	110
MOUNTING KIT for LS180.B, LS185.B, LS190.B, LT185.B, LT190.B, L180, L185, L190, C185, C190	87053915	110
HYDRAULIC KIT (for use with rear aux. kits - see loader pages) Includes hoses and quick couplers.	86619896	15
HYDRAULIC KIT (for use with valve mounted on attachment, i.e tree spades) Includes hoses from stabilizers to attachment with quick couplers.	86619897	22
BACKHOE HYDRAULIC KIT (for use with backhoes 511, 609, 611) Includes hoses from stabilizers to backhoe, selector valve and quick couplers.	86619898	20
WEIGHT KIT BRACKETS allows up to four (27 kg) standard NH weights to be mounted to each stabilizer tower. Weights not included.	86619899	50

ADDITIONAL COMPONENTS FOR 200 SERIES LOADERS

(Must order hydraulic kit as indicated and pad kit for complete unit.)

HYDRAULIC KIT - FOR USE W/ATTACHMENT VALVE (L221, C227, C234)	84518506	20
HYDRAULIC KIT - FOR USE W/2ND AUXILIARY KIT (L221, C227, C234)	84546390	20
HYDRAULIC. KIT - FOR USE W/ATTACHMENT VALVE (L218, L220, L223, L225, L228, L230, L234, C232, C234, C237, C238)	84518507	25
HYDRAULIC KIT - FOR USE W/2ND AUXILIARY KIT (L218, L220, L223, L225, L228, L230, L234, C232, C234, C237, C238)	84546391	25
GROUSER PAD SET	87053914	45
FLAT PAD SET	86590028	39

Rear Stabilizer (Continued next page)



REAR STABILIZER

SKID STEER LOADERS/COMPACT TRACK LOADERS

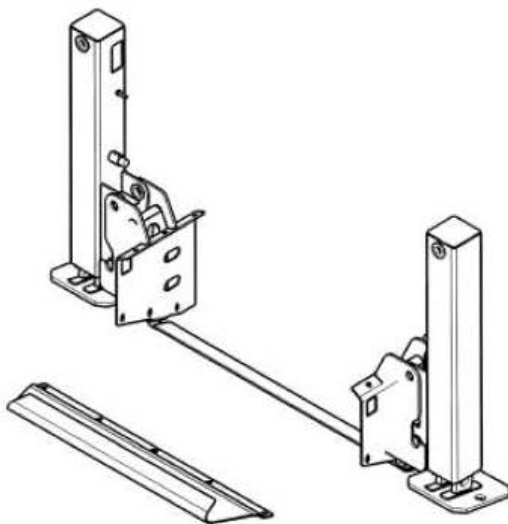
MODEL COMPATIBILITY	L150	L160 L170 L175	LS180 LS190	LS180.B LS185.B L180, L185 L190	C175	LT185.B LT190.B C185, C190	L213	L215	L216	L218	L220	L221	L223	L225	L228	L230	L234	C227	C234	C232	C237	C238	REQ'D EQUIP		
REAR STABILIZER - 86619893		•	•	•	•	•																		R	O
MOUNTING KIT - 86619894		•			•	•																			
MOUNTING KIT - 86619895				•																					
MOUNTING KIT - 87053915						•																			
REAR STABILIZER - 84518504										•	•							•						R	O
REAR STABILIZER - 84518505													•			•		•		•				R	O
HYDRAULIC KIT - 84518506											•							•	•						
HYDRAULIC KIT - 84546390											•							•	•						R
HYDRAULIC KIT - 84518507										•			•			•					•				
HYDRAULIC KIT - 84546391										•			•			•					•				R

FEATURES

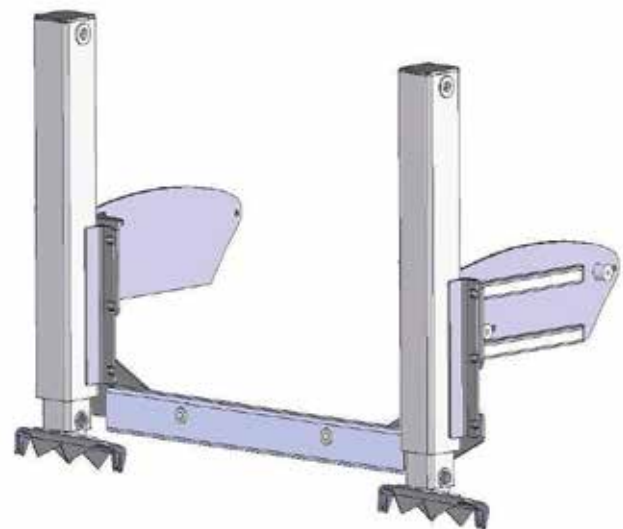
- Use with tree spades, backhoes, etc.

REQUIREMENTS FOR OPERATION

- 2nd auxiliary or attachment valve with extra auxiliary hydraulic function



100 Series



200 Series



ROCK BUCKET

SKID STEER LOADERS/COMPACT TRACK LOADERS

REQUIRES STANDARD AUXILIARY BOOM HYDRAULICS	PART NUMBER	WEIGHT LB
Rock Bucket 66" - 3" tine	86900289	555
Rock Bucket 66" - 2" tine	87027538	680
Rock Bucket 75" - 3" tine	86900290	625
Rock Bucket 75" - 2" tine	87027539	680
Rock Bucket 84" - 3" tine	87027540	692

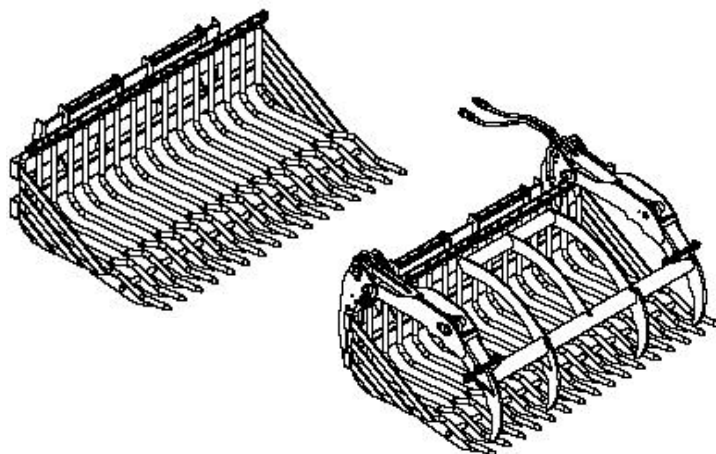
OPTIONAL EQUIPMENT

Grapple attachment for 75" and 84" Rock Buckets Requires standard auxiliary boom hydraulics.	87389692	490
---	----------	-----

MODEL COMPATIBILITY	L213 L215 L216	L218	L220 L221	L223	L225 L228	L230 L234		C227		C232 C234 C237 C238	REQ'D EQUIPMENT					
	L150	L160 L170	L175	L180	L185	L190	C175		C185 C190		STD FLOW	HIGH FLOW	CASE DRAIN	MFH	DEMO DOOR	2ND AUX
66" ROCK BUCKET	•	•	•					•								
75" ROCK BUCKET		•	•	•	•	•	•	•		•	○					
84" ROCK BUCKET				•	•	•			•	•	○					

FEATURES

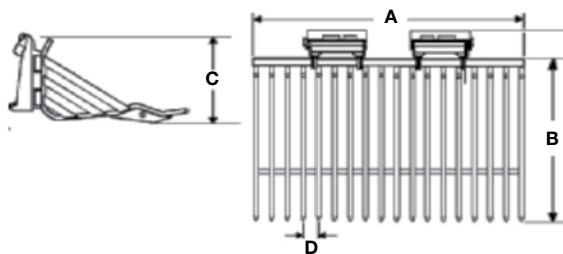
- Designed to hold the collected rocks and debris while leaving the soil
- Tine spacing determines the size of rocks and debris that will be retained while allowing the soil to sift back to the ground
- 2" tine spacing keep bricks in the bucket for easier clean up around job sites
- The rake design is used to gather material away from buildings and obstructions, for faster clean up of debris, to level out clumps of dirt and pick-up pieces of sod



FEATURES

- Rake - Pile - Load debris from construction sites, pastures, fields, etc.

SPECIFICATIONS			
DESCRIPTION	66"	75"	84"
A. Overall Width	65.9"	74.4"	82.9"
B. Overall Depth	49.8"	49.8"	49.8"
C. Overall Height	21.8"	21.8"	21.8"
D. Tine Spacing	4.25"	4.25"	4.25"
(center to center)	or 3.15"	or 3.15"	or 3.15"
(between tines)	3.1" or 2"	3.1" or 2"	3.1"
Number of Tines	16 or 21	18 or 24	20
Tine Rod Diameter	1.1"	1.1"	1.1"





ROCK SAW

SKID STEER LOADERS/COMPACT TRACK LOADERS

Rock wheel package includes drum, hydraulic depth and sideshift, hoses and quick couplers. Must select drum pick kit for required width. LH Multi-function handle control kit is **required** (unless loader has been previously equipped). See loader pages.

HIGH FLOW AUXILIARY BOOM HYDRAULICS AND MULTIFUNCTION CONTROL HANDLE REQUIRED	PART NUMBER	WEIGHT LB
Rock Saw, RS18, 18"	87523114	1775
Rock Saw, RS 24, 24"	87523115	2095
EHF Rock Saw, RS18, 18"	84523781	1775
EHF Rock Saw, RS 24, 24"	84523783	2095

ADDITIONAL COMPONENTS (Must Select One for Complete Unit)

2.5" drum/pick kit for RS18	87523118	220
4" drum/pick kit for RS18	87523119	245
2.5" drum/pick kit for RS24	87523120	290
4" drum/pick kit for RS24	87523121	325

MODEL COMPATIBILITY	L213	L215	L216	L218	L220	L221	L223	L225	L228	L230	L234	C227	C232	C237	C234	C238	REQ'D EQUIPMENT						
	L150	L160	L170	L175	L180	L185	L190	C175	C185	C190	STD FLOW	HIGH FLOW	EHF	CASE DRAIN	MFH	DEMO DOOR	2ND AUX						
ROCK SAW, RS18, 18					•	•	•	•	•	•			•	•	•			R		R	R		
ROCK SAW, RS 24, 24								•	•	•			•	•	•			R		R	R		
EHF ROCK SAW, RS18, 18										•					•			R		R	R		
EHF ROCK SAW, RS24, 24										•					•			R		R	R		

FEATURES

- Planetary drive
- Convenient electro-hydraulic control for depth and sideshift
- Dual side discharge of material
- Pick removal tool included
- Available in 2.5" and 4" wheel widths
- 40-gallon Pressurized Water Kit available (See "Water Kits")

APPLICATIONS

- Slot cutting
- Utility cuts for gas, water, sewer, electrical and cable TV installation and repair
- Asphalt patch cuts
- Cuts to create expansion joints in roadways

REQUIREMENTS FOR OPERATION

- High flow auxiliary hydraulics (EHF for specified units)
- Multi-function Control Kit
- Case Drain

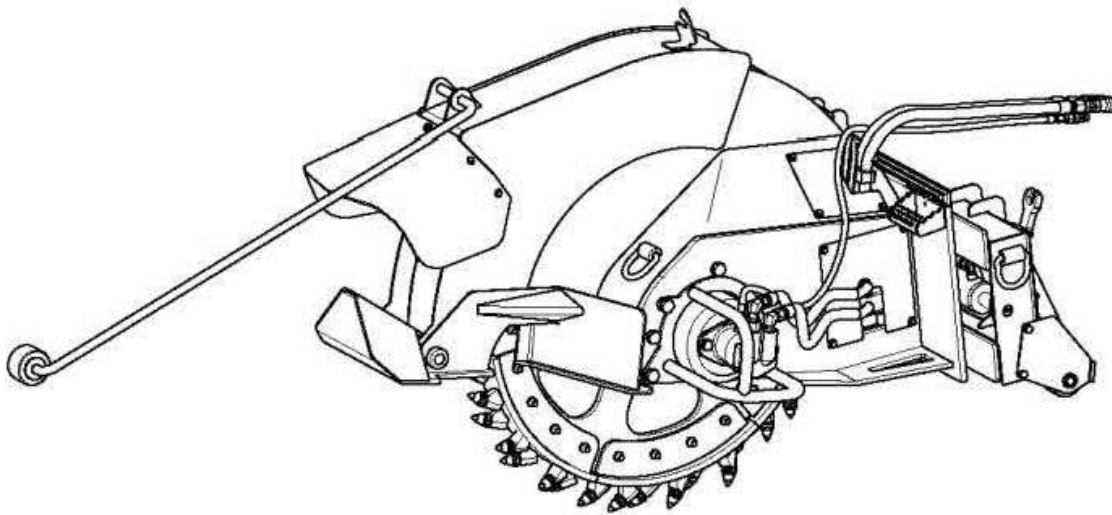
Rock Saw (Continued next page)



ROCK SAW

SKID STEER LOADERS/COMPACT TRACK LOADERS

SPECIFICATIONS		
MODEL	RS18	RS24
Operating Weight - lb. (kg)	2020 (916)	2420 (1098)
Cutting Depth - in. (mm)	0-18 (0-457)	0-24 (0-610)
Cutting Width - in. (mm)	2.5 (64)/4 (102)	2.5 (64)/4 (102)
Drum Diameter - in. (mm)	48(1219)	60(1524)
Sideshift - in. (mm)	-3-22(-76-560) center to right	-3-22 (-76-560) center to right
Hydraulic requirement - gpm (l/m)	30-40 (114-151)	35-40 (132-151)
Hydraulic requirement - psi (bar)	2500-3500 (172-241)	2500-3500 (172-241)
EHF Units Hydraulic requirement - psi (bar)	4000 (275)	4000 (275)
Drive	Planetary	Planetary
Controls	Full hydraulic with in-cab controls	Full hydraulic with in-cab controls
No. of Carbide Picks	42	56





ROOT RAKE

SKID STEER LOADERS/COMPACT TRACK LOADERS

Unit includes skid steer mounting bracket, hoses and quick couplers.

REQUIRES STANDARD AUXILIARY BOOM HYDRAULICS	PART NUMBER	WEIGHT LB
72" Root Rake	87382370	1095
78" Root Rake	87389706	1140
84" Root Rake	87389707	1250

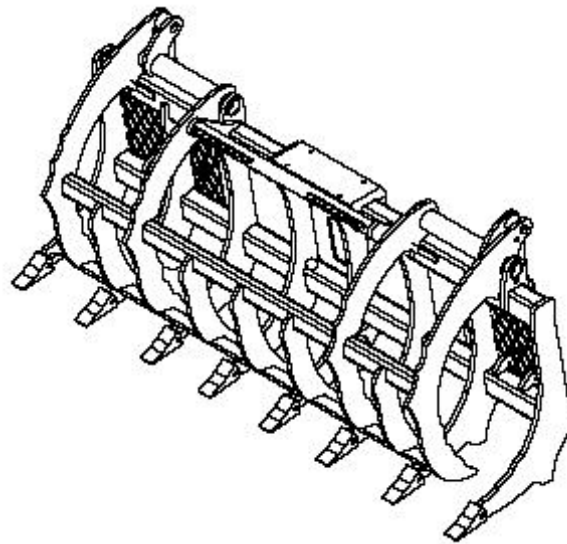
MODEL COMPATIBILITY	L213 L215 L216	L218	L220 L221	L223	L225 L228	L230 L234		C227		C232 C234 C237 C238	REQ'D EQUIPMENT					
	L150	L160 L170	L175	L180	L185	L190	C175		C185 C190		STD FLOW	HIGH FLOW	CASE DRAIN	MFH	DEMO DOOR	2ND AUX
72" ROOT RAKE		•	•	•	•	•	•	•			R					
78" ROOT RAKE			•	•	•	•	•	•		•	R					
84" ROOT RAKE					•	•			•	•	R					

FEATURES

- Upper push-bar, aggressive profiles with H&L-230 style teeth work Together to neatly gather material into more manageable pile
- Zinc plated, greasable, pivot pins with protected grease zerks, and replaceable hardened steel bushings at all pivot locations
- Pilot operated check for positive lock clamping
- Weld-on D-ring for countless applications

APPLICATIONS

- Rake - Pile - Load debris from construction sites, pastures, fields, storm damage, etc.





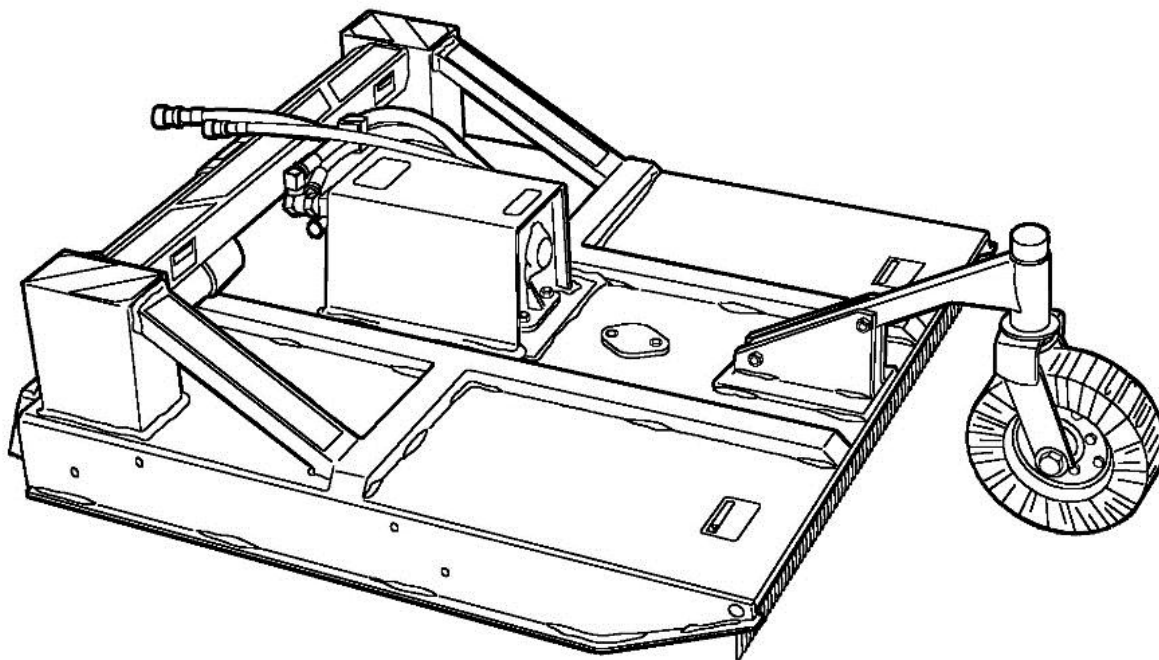
ROTARY CUTTER – AMMBUSHER

SKID STEER LOADERS/COMPACT TRACK LOADERS

Unit includes lift limit chain, hoses, quick disconnects, front safety chains and gauge wheel.

DEMOLITION SAFETY DOOR AND STANDARD FLOW AUXILIARY BOOM HYDRAULICS REQUIRED	PART NUMBER	WEIGHT LB
60" ROTARY CUTTER	9863736	1050
72" ROTARY CUTTER	9863737	1250

MODEL COMPATIBILITY	L213 L215 L216	L218	L220 L221	L223	L225 L228	L230 L234		C227		C232 C234 C238 C237	REQ'D EQUIPMENT					
	L150	L160 L170	L175	L180	L185	L190	C175		C185 C190		STD FLOW	HIGH FLOW	CASE DRAIN	MFH	DEMO DOOR	2ND AUX
60" ROTARY CUTTER	•	•	•	•	•	•	•	•	•	•	R				R	
72" ROTARY CUTTER		•	•	•	•	•	•	•	•	•	R				R	





ROTARY CUTTER – EXTREME

SKID STEER LOADERS/COMPACT TRACK LOADERS

Base unit includes base mower, mounting frame, safety chain, quick disconnects and hoses.

EXTREME DUTY GROUND SHARK™ Brush Cutter	PART NUMBER	WEIGHT LB
ROTARY CUTTER, 72" High Flow (30 - 45 gpm)	47898420	2150

ADDITIONAL EQUIPMENT (Order as needed)

CARBIDE TOOTH KIT	47898425	10
-------------------	----------	----

REPLACEMENT BLADE SETS

REPLACEMENT BLADE KIT (4 blades with hardware)	47898427	103
WEAR SHOE REPLACEMENT KIT	47898429	30

MODEL COMPATIBILITY	L213 L215 L216		L218 L220	L221	L223 L225 L228	L230 L234		C227		C232 C234 C237 C238	REQ'D EQUIPMENT					
	L150	L160	L170 L175		L180 L185	L190	C175		C185 C190		STD FLOW	HIGH FLOW	CASE DRAIN	MFH	DEMO DOOR	2ND AUX
ROTARY CUTTER, 72" High Flow (30 - 45 gpm)					•	•		•	•	•		R			R	

FEATURES

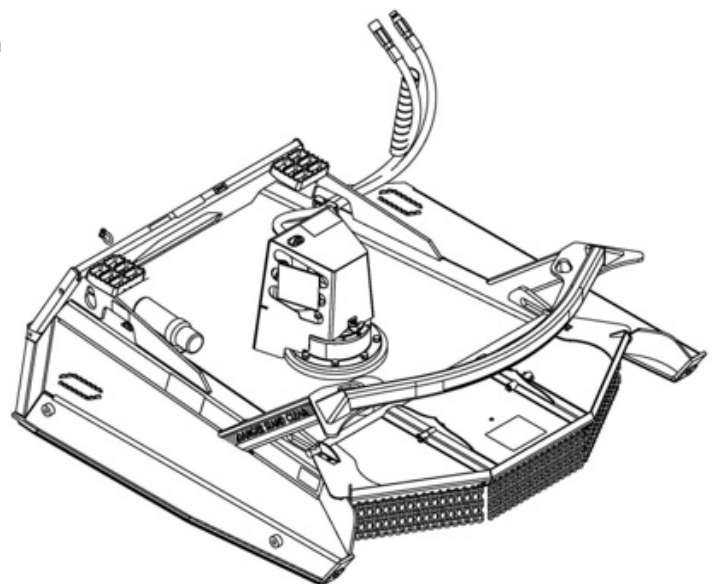
- Direct drive motor with options for 30 to 45 gpm with dual internal reliefs for drive system protection and fast, controlled shut down
- Pressure relief valve on the hydraulic motor protects against pressure spikes that could damage the drive system
- Four double bevel edge blades
- Capable of cutting heavy brush and sapling trees up to 7" in diameter
- Standard pressure gauge to help prevent excessive stalling and overheating
- Heavy-duty 1/4" high strength steel deck for added strength and rigidity
- Heavy duty push bar pushes trees away from the operator
- Optional 18 tooth carbide stump grinding kit increases mulching performance
- Retractable front shield to utilize more of the blade in heavy material
- Replaceable skid shoes
- Lift limiting safety chain
- Hoses and flat face hydraulic disconnects included

APPLICATIONS

- Roadside maintenance, right of way clearing, site preparation, fire control, fence line maintenance, and trail maintenance

REQUIREMENTS FOR OPERATION

- Demolition Door (must order separately from CNH Industrial Parts & Service)
- High flow auxiliary hydraulics





ROTARY CUTTER – PALADIN

SKID STEER LOADERS/COMPACT TRACK LOADERS

Base unit includes base mower, mounting frame, safety chain, quick disconnects and hoses.

DEMOLITION SAFETY DOOR AND STANDARD FLOW AUXILIARY BOOM HYDRAULICS REQUIRED	PART NUMBER	WEIGHT LB
ROTARY CUTTER, 60" Std Flow (15 - 25 gpm)	47591779	1225
ROTARY CUTTER, 72" Std Flow (15 - 25 gpm)	47591780	1375
ROTARY CUTTER, 78" Std Flow (15 - 25 gpm)	47591781	1460
ROTARY CUTTER, 72" High Flow (26 - 32 gpm)	47591782	1375
ROTARY CUTTER, 72" High Flow (32 - 40 gpm)	47591783	1495
ROTARY CUTTER, 78" High Flow (26 - 32 gpm)	47591784	1460
ROTARY CUTTER, 78" High Flow (32 - 40 gpm)	47591785	1580

ADDITIONAL EQUIPMENT (Order as needed)

PRESSURE INDICATOR KIT - SF/26-32HF	47591794	10
PRESSURE INDICATOR KIT - 32-40HF	47591795	10
DUAL WHEEL KIT (UNDER DECK)	47591797	85
WEAR SHOE REPLACEMENT KIT	47591801	15

REPLACEMENT BLADE SETS

REPLACEMENT BLADES - 60"	47591798	45
REPLACEMENT BLADE S- 72"	47591799	50
REPLACEMENT BLADE S- 78"	47591800	55

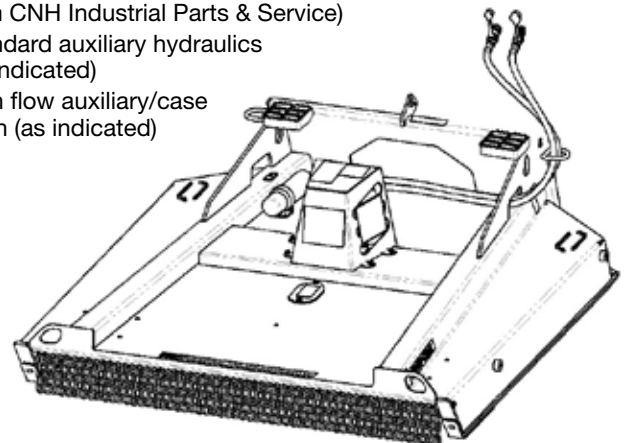
MODEL COMPATIBILITY	L213	L215	L216	L218	L220	L221	L223	L225	L228	L230	L234	C227	C232	C234	C237	C238	REQ'D EQUIPMENT						
	L150	L160	L170	L175	L180	L185	L190	C175	C185	C190	STD FLOW	HIGH FLOW	CASE DRAIN	MFH	DEMO DOOR	2ND AUX							
60" ROTARY CUTTER (15-25) 47591779	•	•																R			R		
72" ROTARY CUTTER (15-25) 47591780				•	•	•		•	•	•				•				R			R		
78" ROTARY CUTTER (15-25) 47591781							•	•		•				•				R			R		
72" ROTARY CUTTER - HIGH FLOW (26-32) 47591782				•	•														R			R	
72" ROTARY CUTTER - HIGH FLOW (32-40) 47591793								•		•				•					R	R		R	
78" ROTARY CUTTER - HIGH FLOW (26-32) 47591784							•												R			R	
78" ROTARY CUTTER - HIGH FLOW (32-40) 47591785								•						•					R	R		R	

FEATURES

- Direct drive motor with options for 15 to 40 gpm with dual internal reliefs for drive system protection and fast, controlled shut down
- 3-blade carrier
- Double edged blades for bi-directional cutting
- Optional pressure gauge to help prevent excessive stalling and overheating
- Heavy-duty 1/4" high strength steel deck for added strength and rigidity
- Replaceable skid shoes
- Lift limiting safety chain
- Hoses and flat face hydraulic disconnects included

REQUIREMENTS FOR OPERATION

- Demolition Door (must order separately from CNH Industrial Parts & Service)
- Standard auxiliary hydraulics (as indicated)
- High flow auxiliary/case drain (as indicated)



APPLICATIONS

- For small trees and brush up to 4" in diameter



SILAGE DEFACER

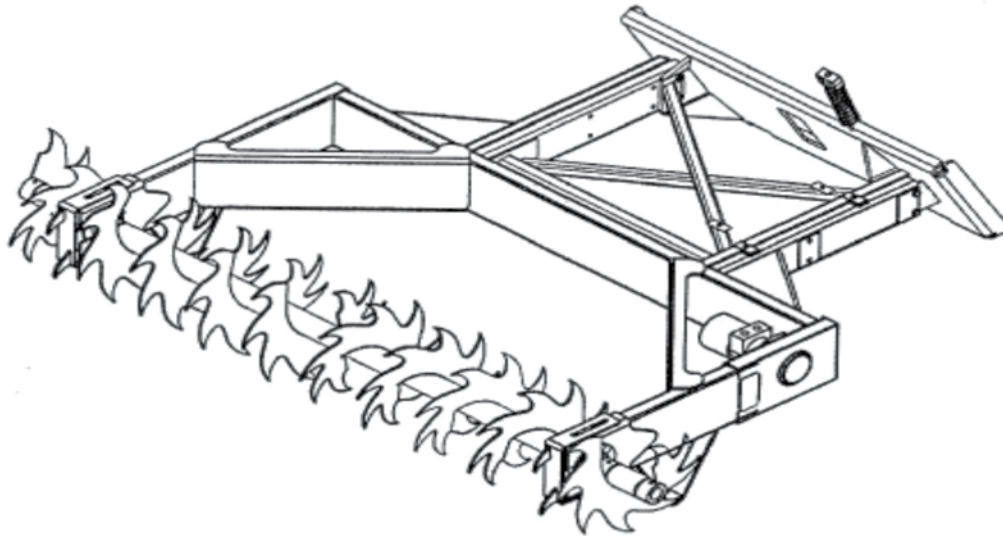
SKID STEER LOADERS/COMPACT TRACK LOADERS

AUXILIARY BOOM HYDRAULICS REQUIRED – REAR COUNTERWEIGHTS RECOMMENDED	PART NUMBER	WEIGHT LB
SILAGE DEFACER	87045463	940

MODEL COMPATIBILITY	L213 L215 L216	L218	L220 L221	L223	L225 L228	L230 L234		C227		C232 C234 C237 C238	REQ'D EQUIPMENT					
	L150	L160 L170	L175	L180	L185	L190	C-175		C185 C190		STD FLOW	HIGH FLOW	CASE DRAIN	MFH	DEMO DOOR	2ND AUX
SILAGE DEFACER		•	•	•	•	•	•	•	•	•	R					

FEATURES

- 3-position, extendable frame
- Working heights up to 19 ft., depending on loader lift height, loader capacity and frame position
- Inverted auger style cutter loosens haylage and silage from tightly compacted bunker silos
- Maintains smooth compacted bunker face for reduced spoilage and improved palatability
- Does not reduce haylage stem length for optimum digestibility yielding higher milk production
- Open frame design allows the operator to see the bunker face
- 96" full width cut and inboard mounted drive motor allows defacer to operate closer to bunker walls
- Frame stands protect rotor when running or parked
- Cutter made from abrasion-resistant steel for long life
- Enclosed #80H chain drive with simple chain tension adjustment
- For skid-steers with 15-25 gpm hydraulic flow





SILT FENCE INSTALLER

SKID STEER LOADERS/COMPACT TRACK LOADERS

	PART NUMBER	WEIGHT LB
Silt Fence Installer with integrated skid-steer	87596129	840
Silt Fence Installer with 3-point mount (must order 87596137 for skid-steer operation)	87596130	825
Silt Fence Installer with 3 point mount and 72" sliding offset hitch (must order 87596137 for skid-steer operation)	87596131	1260
Silt Fence Installer with 3 point mount and 84" sliding offset hitch (must order 87596137 for skid-steer operation)	87596132	1315

COMPLETING PACKAGES (Order as Needed)

Skid-steer adapter bracket for 3-point mount models used on skid-steers	87596137	255
Hydraulic top link kit for 3-point mount models used on tractors	87596138	35

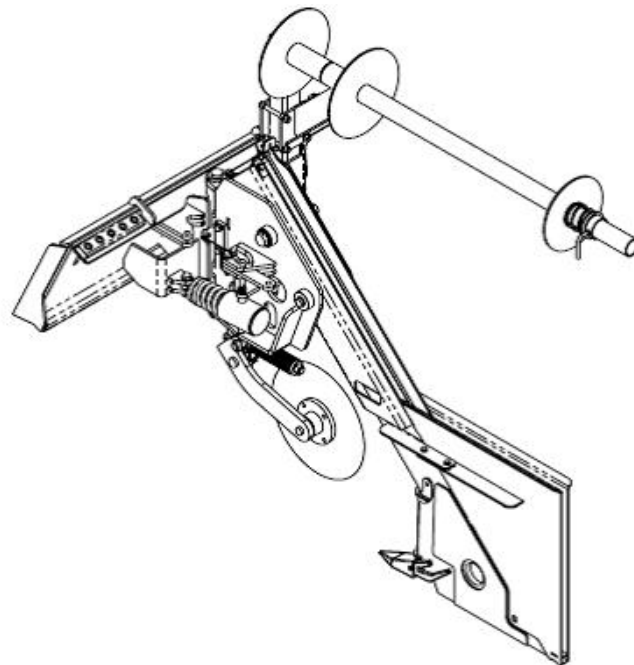
MODEL COMPATIBILITY	L213	L215 L216	L218	L220 L221	L223	L225 L228	L230 L234		C227		C232 C234 C237 C238	REQ'D EQUIPMENT					
		L150	L160 L170	L175	L180	L185	L190	C175		C185 C190		STD FLOW	HIGH FLOW	CASE DRAIN	MFH	DEMO DOOR	2ND AUX
SILT FENCE INSTALLER – SSL	•	•	•	•	•	•	•	•	•	•	•						
SILT FENCE INSTALLER – 3-PT HITCH		•	•	•	•	•	•	•	•	•	•						
SILT FENCE INSTALLER – 3-PT HITCH 72" OFFSET					•	•	•		•	•	•						
SILT FENCE INSTALLER – 3-PT HITCH 84" OFFSET					•	•	•		•	•	•						

FEATURES

- Simple, economical, efficient silt fence installation
- Install 36", 42" or 48" standard fence
- Place fence up to 20" depth
- Skid-steer or 3-point models (skid-steer adapter available for 3-point models)
- Spring-loaded coulter cuts through trash, roots and sod
- Static blade, no hydraulics required

APPLICATIONS

- Install silt fence around job sites





SKID HOE

SKID STEER LOADERS/COMPACT TRACK LOADERS

BASE UNIT includes mounting bracket, boom, cylinder, bucket linkage, hoses and quick disconnects. Must order bucket for complete unit.

AUXILIARY BOOM HYDRAULICS REQUIRED (See note below for additional requirements)	PART NUMBER	WEIGHT LB
SKID HOE	87487655	305

IMPORTANT:

This attachment requires base end bucket circuit port relief valve to be installed in loader control valve. Order separately from NH parts. Order NH part no. 86529091 for all Eaton valve equipped units (Lx models plus LS140, LS150, LS160, LS170, LS180, LS190, L140, L150 and manual control L160, L170, L175). Order NH part no. 87445939 for Husco valve equipped units, (LS180.B, LS185.B, LS190.B and early production manual control L180, L185, L190). Later production L180, L185, L190 manual control machines have port relief valves included. All pilot controlled L160 and larger plus track models (LT and C) and all 200 series have had factory installed port relief valves since first production. Confirm port relief valve installation before operating this attachment.

ADDITIONAL EQUIPMENT (Must order bucket for complete unit)

	PART NUMBER	WEIGHT LB
10" Bucket (.9 ft³)	86547428	72
12" Bucket (1.2 ft³)	86547429	76
16" Bucket (1.9 ft³)	86547430	89
18" Bucket (2.1 ft³)	86547431	95
24" Bucket (3.1 ft³)	86547432	115

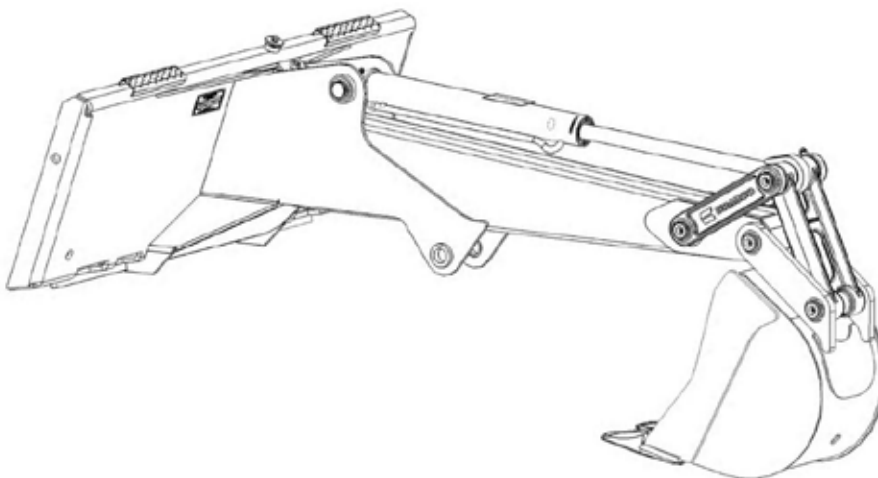
OPTIONAL EQUIPMENT

RIGID THUMB ATTACHMENT - factory installed	87487657	70
RIGID THUMB ATTACHMENT - field installed	87487658	90

MODEL COMPATIBILITY	L213 L215 L216	L218	L220 L221	L223	L225 L170 L175	L230 L234		C227		C232 C234 C237 C238	REQ'D EQUIPMENT					
	L150	L160 L170	L175	L180	L185	L190	C175		C185 C190		STD FLOW	HIGH FLOW	CASE DRAIN	MFH	DEMO DOOR	2ND AUX
SKID HOE	•	•	•	•	•	•	•	•	•	•	R					

FEATURES

- Digs trenches up to 6 ft. deep with a skid steer
- Provides excellent mobility for digging footings
- Does not require stabilizers
- 2-1/4" x 18-1/4" cylinder provides up to 3,895 lb. breakout force
- Buckets common with 408/485 backhoes
- Thumb ready – factory or field installed



APPLICATIONS

- Excellent for digging trenches or footings



SNOW BLADE – STANDARD DUTY

SKID STEER LOADERS/COMPACT TRACK LOADERS

Unit includes mounting bracket, steel cutting edge, hydraulic angling, hoses and quick couplers.

STANDARD AUXILIARY BOOM HYDRAULICS REQUIRED	PART NUMBER	WEIGHT LB
SNOW BLADE, 60"	86635073	450
SNOW BLADE, 72"	86635074	475
SNOW BLADE, 84"	86635075	500

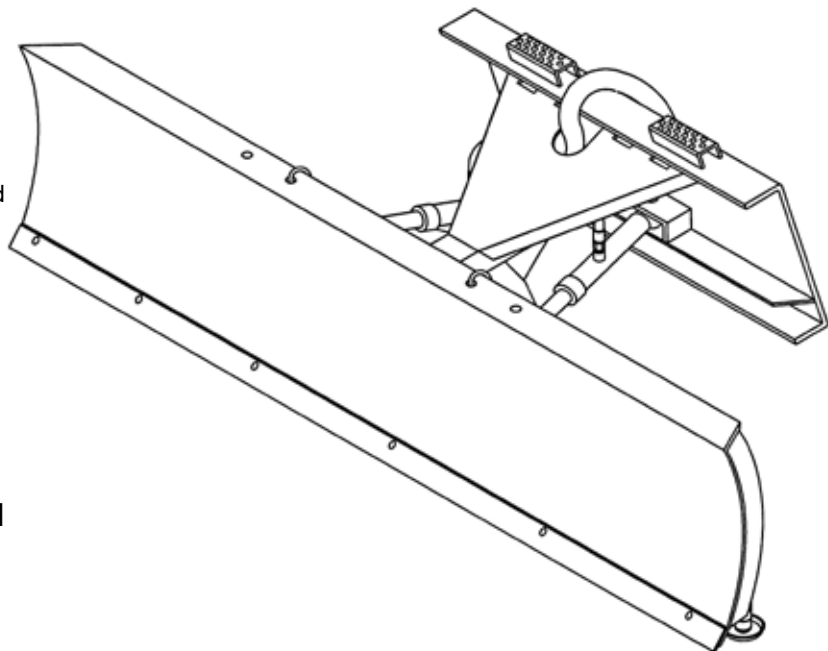
OPTIONAL COMPONENTS (Order as needed)

Replacement Steel Edge Kit, 60"	47937193	82
Replacement Steel Edge Kit, 72"	47937194	88
Replacement Steel Edge Kit, 84"	47937195	95
Rubber Edge Kit, 60"	47937196	92
Rubber Edge Kit, 72"	47937197	100
Rubber Edge Kit, 84"	47937198	109

MODEL COMPATIBILITY	L213 L215 L216	L218	L220 L221	L223	L225 L228	L230 L234	C227	C232 C234 C237 C238	REQ'D EQUIPMENT					
	L150 L160 L170	L175	L180	L185	L190	C175	C185 C190	STD FLOW	HIGH FLOW	CASE DRAIN	MFH	DEMO DOOR	2ND AUX	
60" SNOW BLADE	•	•							R					
72" SNOW BLADE	•	•	•	•	•				R					
84" SNOW BLADE		•	•	•	•		•		R					

FEATURES

- Adjustable skid shoes
- Spring loaded trip protection
- Blade angle 30° maximum
- Reversible, replaceable edge
- Flat face hydraulic quick disconnects included
- Hydraulic hoses included
- 21.5" blade height
- 7 gauge reinforced moldboard
- Optional rubber edge (1½" X 8")
- Locking bolts for light dozer applications



APPLICATIONS

- Snow removal
- Light dozing

REQUIREMENTS FOR OPERATION

- Standard auxiliary hydraulics



SNOW BLADE – HEAVY DUTY

SKID STEER LOADERS/COMPACT TRACK LOADERS

Unit includes mounting bracket, hydraulic angling, hoses and quick couplers.

	PART NUMBER	WEIGHT LB
SNOW BLADE, 84", w/steel cutting edge	86635076	1135
SNOW BLADE, 96", w/steel cutting edge	86635077	1172
SNOW BLADE, 108", w/steel cutting edge	86635078	1240
SNOW BLADE, 84", w/rubber cutting edge	86635079	1140
SNOW BLADE, 96", w/rubber cutting edge	86635080	1175
SNOW BLADE, 108", w/rubber cutting edge	86635081	1250

OPTIONAL COMPONENTS (Order as needed)

Steel Edge Kit, 84"	47937199	160
Steel Edge Kit, 96"	47937200	176
Steel Edge Kit, 108"	47937201	192
Rubber Edge Kit, 84"	47937204	123
Rubber Edge Kit, 96"	47937205	134
Rubber Edge Kit, 108"	47937206	145
Polyurethane Edge Kit, 84"	47937208	60
Polyurethane Edge Kit, 96"	47937209	65
Polyurethane Edge Kit, 108"	47937210	70
Top Deflector Kit, 84"	47531764	62
Top Deflector Kit, 96"	47531766	64
Top Deflector Kit, 108"	47531767	66
Hyd. Cushion Valve Kit (Protects against damage to angle cylinders)	47941457	10

MODEL COMPATIBILITY	L213 L215 L216	L218	L220 L221	L223	L225 L228	L230 L234		C227		C232 C234 C237 C238	REQ'D EQUIPMENT					
	L150	L160 L170	L175	L180	L185	L190	C175		C185 C190		STD FLOW	HIGH FLOW	CASE DRAIN	MFH	DEMO DOOR	2ND AUX
84" SNOW BLADE		•	•	•	•	•	•	•		•	R					
96" SNOW BLADE		•	•	•	•	•	•	•	•	•	R					
108" SNOW BLADE				•	•	•		•	•	•	R					

FEATURES

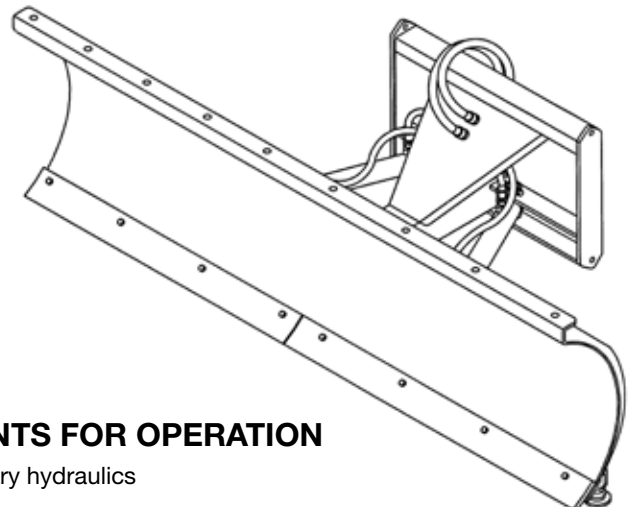
- Adjustable skid shoes
- Spring loaded trip protection
- Flat face hydraulic quick disconnects included
- Hydraulic hoses included
- 35 degree hydraulic angle in either direction
- 31.75" blade height
- 10 gauge reinforced moldboard
- Available with factory-installed steel or rubber cutting edge
- Optional polyurethane edge (1" X 6")
- Optional 2-ply rubber snow deflector (.25 X 10")
- Optional hydraulic cushion valve

APPLICATIONS

- Snow removal

REQUIREMENTS FOR OPERATION

- Standard auxiliary hydraulics





SNOW BLADE, TRIP EDGE

SKID STEER LOADERS/COMPACT TRACK LOADERS

BASE UNIT includes steel edge, hoses and quick disconnects.

STANDARD AUXILIARY BOOM HYDRAULICS REQUIRED	PART NUMBER	WEIGHT LB
TRIP EDGE SNOW BLADE, 84"	47531748	990
TRIP EDGE SNOW BLADE, 96"	47531749	1045
TRIP EDGE SNOW BLADE, 108"	47531750	1090

OPTIONAL EQUIPMENT (ORDER AS NEEDED)

RUBBER EDGE KIT, 84"	47531754	105
RUBBER EDGE KIT, 96"	47531755	115
RUBBER EDGE KIT, 108"	47531756	125
POLYURETHANE EDGE KIT, 84"	47937208	60
POLYURETHANE EDGE KIT, 96"	47937209	65
POLYURETHANE EDGE KIT, 108"	47937210	70
REPLACEMENT STEEL EDGE KIT, 84"	47531761	80
REPLACEMENT STEEL EDGE KIT, 96"	47531762	90
REPLACEMENT STEEL EDGE KIT, 108"	47531763	100
TOP DEFLECTOR KIT, 84"	47531764	62
TOP DEFLECTOR KIT, 96"	47531766	64
TOP DEFLECTOR KIT, 108"	47531767	66
MARKER KIT	84281638	5

MODEL COMPATIBILITY	L213	L215	L216	L218	L220	L221	L223	L225	L228	L230	L234	C227	C232	C234	C237	C238	REQ'D EQUIPMENT					
	L150	L160	L170	L175	L180	L185	L190	C175	C185	C190	STD FLOW						HIGH FLOW	CASE DRAIN	MFH	DEMO DOOR	2ND AUX	
84" SNOW BLADE	•	•	•	•	•	•	•	•	•	•	•	•						R				
96" SNOW BLADE				•	•	•	•	•	•	•	•	•			•			R				
108" SNOW BLADE							•	•	•	•	•	•			•			R				

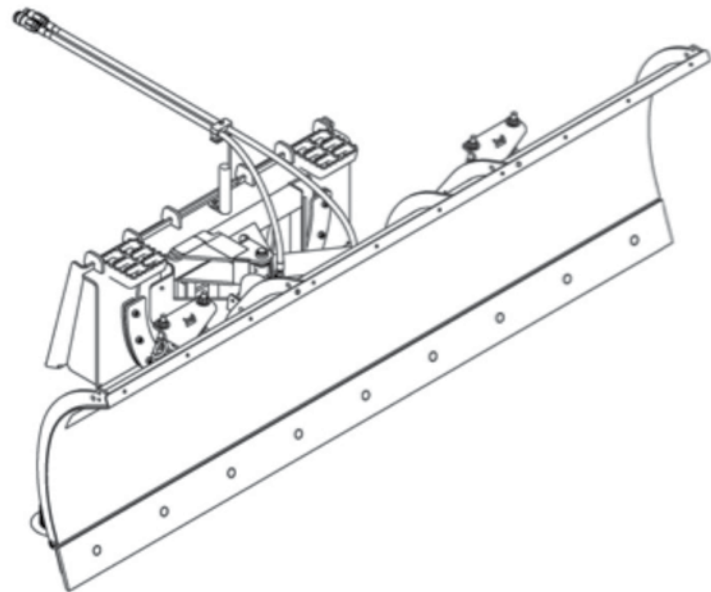
FEATURES

- Standard 0.5" X 6" steel edge
- Hydraulic angle – 30° left and right
- Optional rubber edge (1.5" X 10")
- Optional polyurethane edge (1" X 6")
- Optional 2-ply rubber snow deflector (.25 X 10")
- High visibility yellow moldboard
- Cutting edge trip system
- Adjustable skid shoes

REQUIREMENTS FOR OPERATION

- Standard auxiliary hydraulics

SPECIFICATIONS			
Working Width (in.)	84	96	108
Operating Wt (lbs.)	940	990	1,030
Height (in.)	33.3	33.3	33.3
Depth (in.)	41.8	41.8	41.8
Max oscillation	±5°	±5°	±5°
Width @ 30° angle (in.)	72.6	83.0	93.4





SNOW BLOWER, HIGH FLOW

SKID STEER LOADERS/COMPACT TRACK LOADERS

BASE UNIT includes skid steer mounting bracket, wire harness to boom electrical connector, hoses and hydraulic couplers.

	PART NUMBER	WEIGHT LB
72" Snow Blower (F, 22-34 gpm)	84592481	1264
72" Snow Blower (G-Dual, 19-34 gpm)	84421421	1264
84" Snow Blower (F, 22-34 gpm)	84592483	1342
84" Snow Blower (G-Dual, 19-34 gpm)	84421422	1342
84" Snow Blower (H-Dual, 30-42 gpm)	84421423	1342
96" Snow Blower (G-Dual, 19-34 gpm)	84592484	1420
96" Snow Blower (H-Dual, 30 -42 gpm)	84421424	1420
84" SNOW BLOWER (G-Dual, EHF) Includes EHF harness. No optional wiring harness required.	47358360	1290
96" SNOW BLOWER (G-Dual, EHF) Includes EHF harness. No optional wiring harness required.	47358361	1370

OPTIONAL EQUIPMENT (Must order one electric kit for complete unit. Electric kit not required for EHF units.)

Electric Harness Adapter (14 pin round connector - all units with Multi-function Control Handle)	87023319	1
Universal Electrical Control Package. Controls chute rotation and deflector. Package includes magnetically mounted in-cab control box, boom wiring harness and wiring to battery. Connects to wiring harness supplied with blower. For machines without Multi-function Control kit.	87023320	5
Truck Loading Chute Kit	47981840	255

REPLACEMENT COMPONENTS (Order as needed.)

Replacement Steel Edge, 72"	47981833	36
Replacement Steel Edge, 84"	47981834	42
Replacement Steel Edge, 96"	47981836	48
Replacement Skid Shoe	47981838	15

MODEL COMPATIBILITY	L213	L215	L216	L218	L220	L221	L223	L225	L228		L230	L234	C227		C232	C237	C234	C238	REQ'D EQUIPMENT						
	L150	L160	L170		L175		L180	L185	L190		C175	C185	C190						STD FLOW	HIGH FLOW	EHF	CASE DRAIN	MFH	DEMO DOOR	2ND AUX
72" Snow Blower (F, 22-34 gpm)				•	•	•	•	•					•	•						R			O		
72" Snow Blower (G-Dual, 19-34 gpm)				•	•	•	•	•	•			•	•	•						R			O		
84" Snow Blower (F, 22-34 gpm)				•	•	•	•	•					•	•						R			O		
84" Snow Blower (G-Dual, 19-34 gpm)				•	•	•	•	•	•			•	•	•		•	•			R			O		
84" Snow Blower (H-Dual, 30-42 gpm)					•			•	•	•		•	•	•		•	•			R			O		
96" Snow Blower (G-Dual, 19-34 gpm)																•	•			R			O		
96" Snow Blower (H-Dual, 30 -42 gpm)																•	•			R			O		
84" SNOW BLOWER (G-Dual, EHF)																					R		R		
96" SNOW BLOWER (G-Dual, EHF)																					R		R		

Snow Blowers, High Flow (Continued next page)



SNOW BLOWER, HIGH FLOW

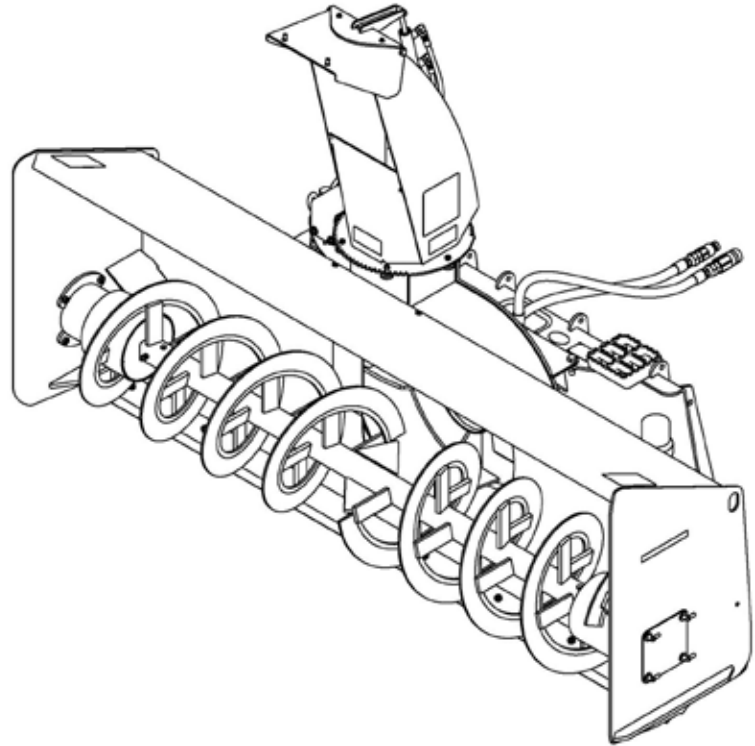
SKID STEER LOADERS/COMPACT TRACK LOADERS

FEATURES

- Two-stage hydraulic blowers blow snow up to 45 ft.
- Direct drive motors eliminate moving parts and wear
- Electro-hydraulically controlled poly-lined chute and deflector
- Bolt-on replaceable wear edge, 1/2" x 4"
- 3/4" main drive hoses
- 5/8" supply hoses
- Adjustable skid shoes

REQUIREMENTS FOR OPERATION

- High flow hydraulics required.
Enhanced High Flow (EHF) on specified units
- Multi-function Control kit installed on loader or complete electrical control package



SPECIFICATIONS							
Model	72F	72G	84F	84G	84H	96G	96H
Cut Height (in.)	36	36	36	36	36	36	36
Flow Range (gpm)	22-34	19-34	22-34	19-34	30 - 42	19-34	30 - 42
Auger Drive	Single motor	Dual motor	Single motor	Dual motor	Dual motor	Dual motor	Dual motor
Auger Diameter (in.)	18	18	18	18	18	18	18
Fan Drive	Single motor	Single motor	Single motor	Single motor	Single motor	Single motor	Single motor
Fan Diameter (in.)	26	26	26	26	26	26	26
No. of fan blades	4	4	4	4	4	4	4



SNOW BLOWER, STANDARD FLOW

SKID STEER LOADERS/COMPACT TRACK LOADERS

BASE UNIT includes skid steer mounting bracket, wire harness to boom electrical connector, hoses and hydraulic couplers.

	PART NUMBER	WEIGHT LB
60" Snow Blower (C, 12-15 gpm)	84421425	866
60" Snow Blower (D, 14 - 21 gpm)	84421426	866
72" Snow Blower (D, 14 - 21 gpm)	84421427	924
72" Snow Blower (E, 18 - 27 gpm)	84421428	924
84" Snow Blower (E, 18 - 27 gpm)	84421429	985

COMPLETING PACKAGES (Must order one for complete unit)

Electric Harness Adapter (14 pin round connection)	87023319	1
Universal Electrical Control Package. Controls chute rotation and deflector. Package includes magnetically mounted in-cab control box, boom wiring harness and wiring to battery. Connects to wiring harness supplied with blower. For machines without Multi-function Electric Control Kit.	87023320	5
Conversion Harness - Required only to convert prior snow blowers to operate with new L200 MFH Control. For snow blowers (p/ns 87358172, 87358173, 87358175, 87358176) built prior to July 2009.	87326411	4

REPLACEMENT COMPONENTS (Order as needed.)

Replacement Steel Edge, 60"	47981829	17
Replacement Steel Edge, 72"	47981831	20
Replacement Steel Edge, 84"	47981832	23
Replacement Skid Shoe	47981838	15

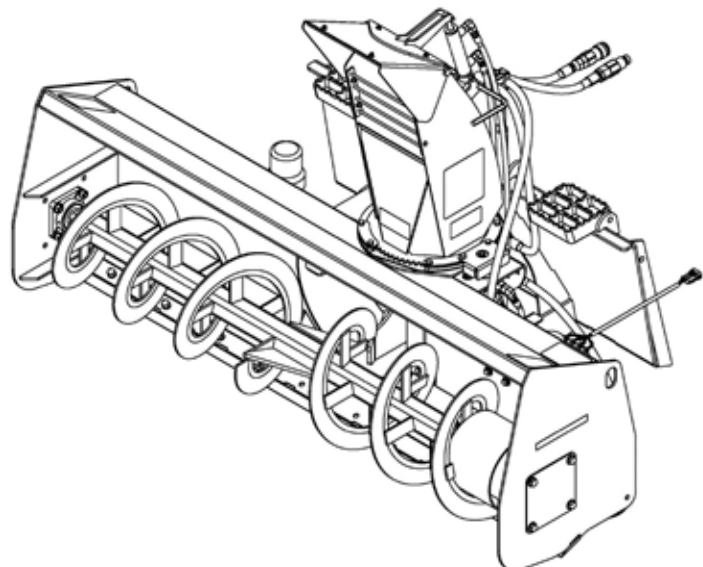
MODEL COMPATIBILITY	L213	L215	L216		L218	L220	L221	L223		L225	L228	L230	L234		C227		C232	C234	C237	C238	REQ'D EQUIPMENT						
				L150	L160	L170	L175		L180	L185				L190	C175	C185	C190					STD FLOW	HIGH FLOW	CASE DRAIN	MFH	DEMO DOOR	2ND AUX
60" Snow Blower (C, 12-15 gpm) - 84421425				•																		R					
60" Snow Blower (D, 14 - 21 gpm) - 84421426	•				•																	R			O		
72" Snow Blower (D, 14 - 21 gpm) - 84421427	•				•	•			•					•	•							R			O		
72" Snow Blower (E, 18 - 27 gpm) - 84421428								•			•				•							R			O		
84" Snow Blower (E, 18 - 27 gpm) - 84421429								•			•				•				•			R			O		

FEATURES

- Two-stage hydraulic blowers blow snow up to 35 ft.
- Excellent visibility
- Electro-hydraulically controlled poly-lined chute and deflector
- High volume 24-1/2" shroud opening with 14" diameter auger and 18" diameter fan
- Wear resistant steel edge 3/8" x 3"
- 12 guage reinforced wrapper
- Adjustable skid shoes

REQUIREMENTS FOR OPERATION

- Standard auxiliary hydraulics
- Multi-function Control Kit installed on loader or complete electrical control package





SNOW BUCKET

SKID STEER LOADERS/COMPACT TRACK LOADERS

	PART NUMBER	WEIGHT LB
84" Medium Duty Snow Bucket	87324175	725
96" Medium Duty Snow Bucket	87324176	775
96" Heavy Duty Snow Bucket	87324178	980
108" Heavy Duty Snow Bucket	87324179	1060

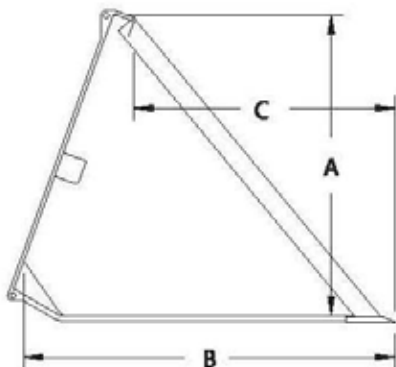
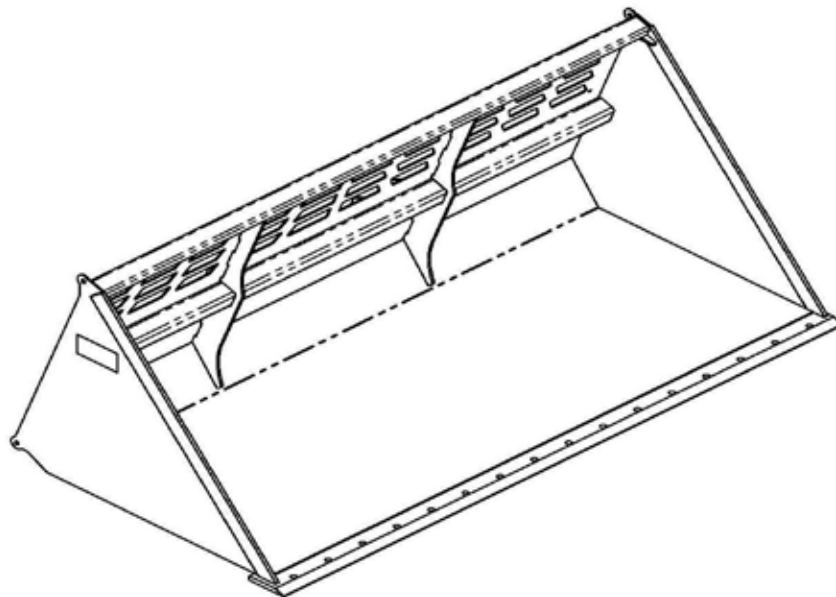
ADDITIONAL EQUIPMENT (Order as needed)

84" Bolt-on Cutting edge kit, (incl. reversible edge and hardware)	87324184	100
96" Bolt-on Cutting edge kit, reversible (incl. reversible edge and hardware)	87324185	110
108" Bolt-on cutting edge kit, reversible (incl. reversible edge and hardware)	87324186	125

MODEL COMPATIBILITY	L213	L215	L216	L218	L220	L221	L223	L225	L228	L230	L234		C227		C232	C234	C237	C238	REQ'D EQUIPMENT						
	L150	L160	L170	L175	L180	L185	L190	C175		C185	C190								STD FLOW	HIGH FLOW	CASE DRAIN	MFH	DEMO DOOR	2ND AUX	
84" Medium Duty Snow Bucket	•			•		•							•	•											
96" Medium Duty Snow Bucket				•		•							•	•											
96" Heavy Duty Snow Bucket						•		•	•				•	•			•	•							
108" Heavy Duty Snow Bucket								•	•								•	•							

FEATURES

- Move large volumes of snow or other loose material efficiently
- Cut out back plate for improved visibility
- Pre-drilled cutting edges for bolt on edge



SPECIFICATIONS					
	Height A	Depth B	Leading Edge C	Struck Cap.	Heaped Cap.
84" Medium Duty	30"	42"	29.7"	1.14 yd ³	1.47 yd ³
96" Medium Duty	30"	42"	29.7"	1.31 yd ³	1.70 yd ³
96" Heavy Duty	38"	46"	32.5"	1.83 yd ³	2.36 yd ³
108" Heavy Duty	38"	46"	32.5"	2.07 yd ³	2.67 yd ³



SNOW PUSH

SKID STEER LOADERS/COMPACT TRACK LOADERS

	PART NUMBER	WEIGHT LB
SNOW PUSH - LOW PROFILE - 72"	47625937	605
SNOW PUSH - LOW PROFILE - 84"	47625938	670
SNOW PUSH - LOW PROFILE - 96"	47625939	735
SNOW PUSH - LOW PROFILE - 120"	47625940	865

OPTIONAL COMPONENTS – FACTORY INSTALLED (Order as needed)

PULL BACK KIT with rubber edge		
PULL BACK KIT - 72" LPP	47645845	185
PULL BACK KIT - 84" LP	47645846	215
PULL BACK KIT - 96" LP	47645847	245
PULL BACK KIT - 120" LP	47645848	300

OPTIONAL COMPONENTS – FIELD INSTALLED (Order as needed)

PULL BACK KIT without rubber edge		
PULL BACK KIT - 72" LP	47625945	155
PULL BACK KIT - 84" LP	47625946	175
PULL BACK KIT - 96" LP	47625947	200
PULL BACK KIT - 120" LP	47625948	250
RUBBER EDGE KIT (Use as replacement edge for base push or add-on for pullback kit)		
RUBBER EDGE KIT - 72" LP	47626032	90
RUBBER EDGE KIT - 84" LP	47626033	110
RUBBER EDGE KIT - 96" LP	47626034	125
RUBBER EDGE KIT - 120" LP	47626035	135

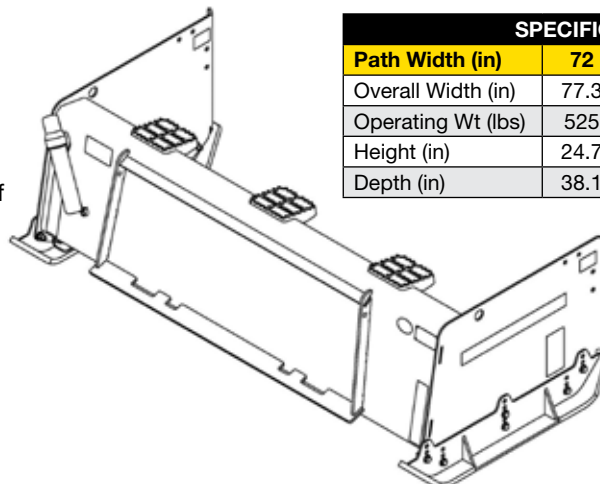
MODEL COMPATIBILITY	L213 L215 L216	L218	L220 L221	L223	L225 L228	L230 L234			C227		C232 C234 C237 C238	REQ'D EQUIPMENT					
	L150	L160 L170	L175	L180		L185	L190	C175		C185 C190		STD FLOW	HIGH FLOW	CASE DRAIN	FRONT ELEC	DEMO DOOR	2ND AUX
72" SNOW PUSH	•	•	•	•	•	•	•	•	•	•	•						
84" SNOW PUSH	•	•	•	•	•	•	•	•	•	•	•						
96" SNOW PUSH			•	•	•	•	•	•	•	•	•						
120" SNOW PUSH						•	•			•	•						

FEATURES

- Moves large volumes of snow efficiently
- Draws back snow from confined areas with optional pull back kit
- Reversible, 1" x 8" rubber edge on main blade
- Reversible, replaceable ¾" x 5" wear shoes of abrasion resistant AR400 steel

APPLICATIONS

- Snow, waste water, manure, feed lot and flood clean-up



SPECIFICATIONS				
Path Width (in)	72	84	96	120
Overall Width (in)	77.3	89.3	101.3	125.3
Operating Wt (lbs)	525	570	610	705
Height (in)	24.7	24.7	24.7	24.7
Depth (in)	38.1	38.1	38.1	38.1



SNOW PUSH – SECTIONAL

SKID STEER LOADERS/COMPACT TRACK LOADERS

	PART NUMBER	WEIGHT LB
SECTIONAL SNOW PUSH – 8 FT.	48026410	1300
SECTIONAL SNOW PUSH – 10.5 FT.	48026411	1942

MODEL COMPATIBILITY	L213 L215 L216	L218 L220	L221 L223	L225 L228	L230 L234		C227	C232 C234 C237 C238	REQ'D EQUIPMENT					
	L150	L160 L170 L175	L180	L185	L190	C175		C185 C190	STD FLOW	HIGH FLOW	CASE DRAIN	FRONT ELEC	DEMO DOOR	2ND AUX
SECTIONAL SNOW PUSH – 8 FT.		•	•	•	•	•	•	•						
SECTIONAL SNOW PUSH – 10.5 FT.			•	•	•		•	•						

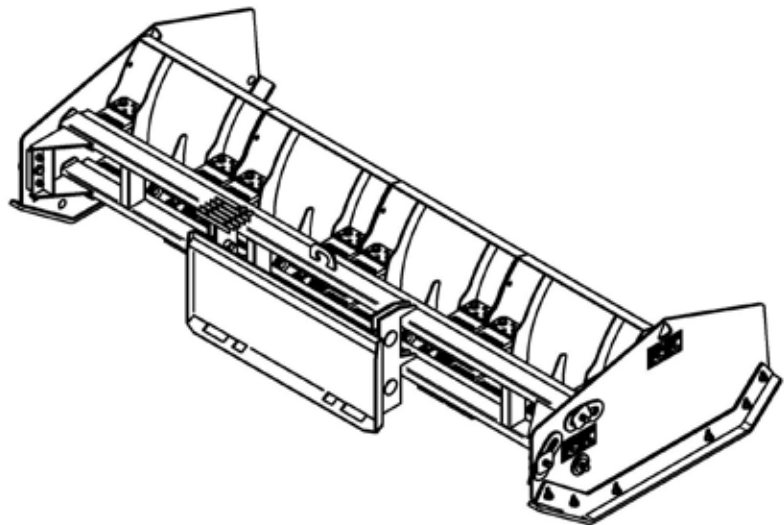
FEATURES

- Individual moldboard sections and articulating side panels move up and down independently to contour to the pavement, parking curbs and other obstacles, scraping cleanly down to the bare pavement on the first pass
- Interchangeable quick connect coupler mounting system
- Patented Slip-Hitch allows the entire pusher to move up and down independently of the machine pushing it, automatically self-leveling and perfectly adjusting the pusher to the pavement every time
- Individual moldboard sections and articulating side panels skip over curbs and other obstacles up to 9" in height to prevent operator injury and equipment damage
- Every part of the sectional pusher is removable, allowing just the damaged part or component to be replaced
- Hardox 450 hardened steel shoes and cutting edges

APPLICATIONS

- Snow and ice removal
- Moving waste water, manure and feed lot

SPECIFICATIONS		
Model	LD-8	LD-10.5
Overall Width – in (m)	96 (2.4)	126 (3.2)
Operating Wt – lbs (kg)	1,150 (522)	1,792 (813)
Height – in (mm)	32 (813)	
Depth – in (mm)	58 (1473)	
Number of sections	3	4





STUMP GRINDER

SKID STEER LOADERS/COMPACT TRACK LOADERS

Unit includes skid-steer mounting bracket, wire harness to boom electrical connector, hoses and hydraulic couplers.

ELECTRIC CONTROL KIT REQUIRED AND AUXILIARY HYDRAULICS AS NOTED	PART NUMBER	WEIGHT LB
STUMP GRINDER SG26 (requires standard flow boom hydraulics)	87050302	924
STUMP GRINDER SG30 (requires high flow boom hydraulics)	87050303	1029

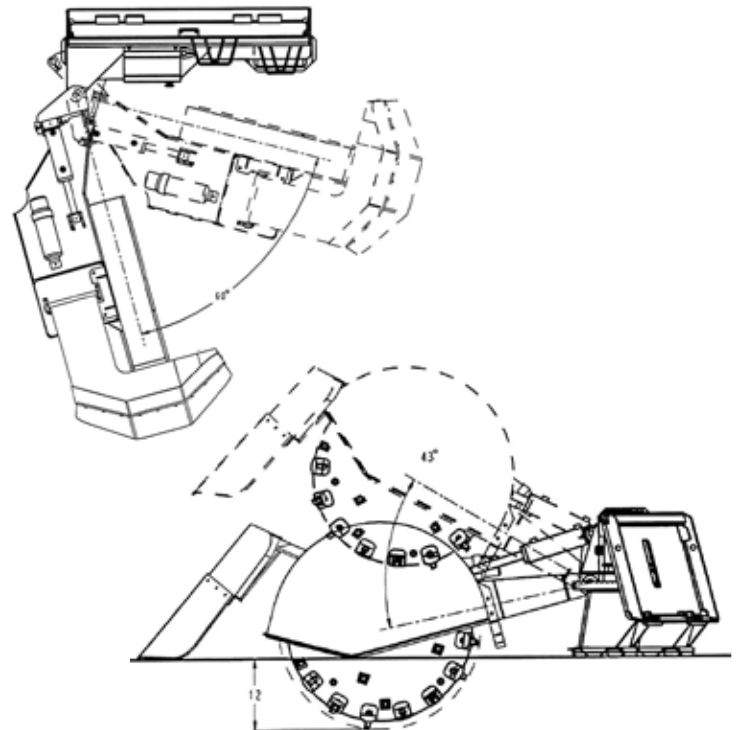
Electrical control package (below) or Multi-function handle kit required (unless loader has been previously equipped)
 See loader pages.

COMPLETING PACKAGES (Order as Needed)

Electrical control package, controls arm swing & depth. Package includes magnetically mounted, in-cab control box, boom wiring harness & wiring to battery. Connects to wiring harness supplied with stump grinder. For loaders not equipped with Multi-function Control kit.	87050304	15
---	----------	----

MODEL COMPATIBILITY	L213	L215 L216	L218	L220 L221	L223	L225 L228	L230 L234		C227		C232 C234 C237 C238	REQ'D EQUIPMENT					
	L150		L160 L170	L175	L180	L185	L190	C175		C185 C190		STD FLOW	HIGH FLOW	CASE DRAIN	MFH	DEMO DOOR	2ND AUX
STUMP GRINDER – STD FLOW (15-22)		•	•	•	•	•	•	•	•	•	•	R			O		
STUMP GRINDER – HIGH FLOW (25-42)			•	•	•	•	•	•	•	•	•		R	R	O		

SPECIFICATIONS		
	SG26 Standard Flow	SG30 High Flow
Overall Length	84 in.	84 in.
Overall Width	58 in.	58 in.
Overall Height	37 in.	37 in.
Weight (approx)	924 lb.	1,029 lb.
Wheel Diameter	26 in.	30 in.
Cutting Diameter	29 in.	33 in.
Number of Teeth	28	28
Flow Requirement	15-22 gpm	25-42 gpm
Max Pressure (continuous)	3000 psi	3000 psi
Wheel Speed	575-850 rpm	515-860 rpm
Lateral Sweep	60 degrees	60 degrees
Vertical Lift	43 degrees	43 degrees



Stump Grinders (Continued next page)

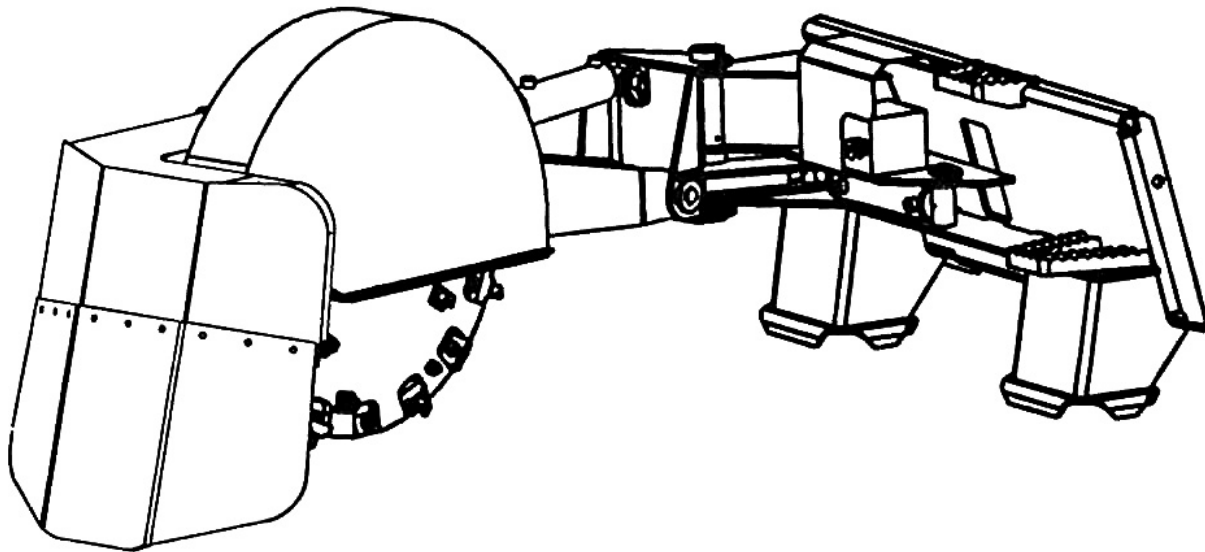


STUMP GRINDER

SKID STEER LOADERS/COMPACT TRACK LOADERS

FEATURES

- Models available for standard flow and high flow skid-steers
- Grinds stumps up to 12 inches below ground level
- 60 degree range of motion covers 45 inches in a single sweep
- Chips thrown away from loader protects operator
- Floating guard contains chips and allows better control when grinding below grade
- Operation from inside loader with multi-function control kit
- Adjustable valve permits operator to fine tune control swing and lift speeds
- Hydraulic braking action on wheel for faster shut-down
- Offset mount swing arm provides excellent visibility of stump while grinding
- Frame-mounted grouser pads provide exceptional stability with minimal ground disturbance
- Greasable hardened steel pivot pins for low maintenance and long life
- Durable carbide-tipped tooth with single lock nut used in all locations on wheel for ease of maintenance
- Tooth arrangement permits cutting from side to side and vertical directions
- Long-lasting powder coat finish used throughout frame and structure
- Double wall construction on moveable front shield
- Proven heavy-duty gearbox drive with torque arm motor support for longer motor and drive system life
- Large wheel diameter for high cutting force
- Easy access to all drive system and moving components allows for quick maintenance





THREE-POINT HITCH

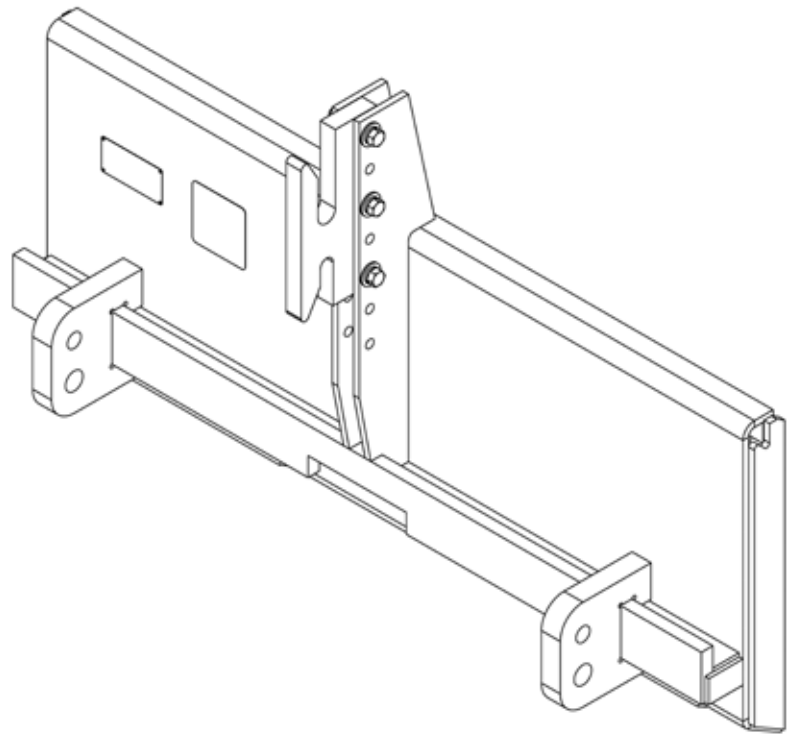
SKID STEER LOADERS/COMPACT TRACK LOADERS

	PART NUMBER	WEIGHT LB
Three Point Hitch Adapter	48145926	235

MODEL COMPATIBILITY	L213 L215 L216	L218 L220 L221	L223 L225 L228	L230 L234	C227	C232 C234 C237 C238	REQ'D EQUIPMENT					
	L150	L160 L170 L175	L180 L185	L190	C175	C185 C190	STD FLOW	HIGH FLOW	CASE DRAIN	MFH	DEMO DOOR	2ND AUX
THREE POINT HITCH ADAPTER	•	•	•	•	•	•						

APPLICATIONS

- Attaches like regular bucket, allows hookup to Cat I or Cat II equipment
- Bottom two arms slide to allow quick and easy hookup and maximum versatility





TILLER

SKID STEER LOADERS/COMPACT TRACK LOADERS

BASE UNIT includes hoses and quick disconnects.

	PART NUMBER	WEIGHT LB
HT52 - 52" Tiller (14-17 gpm)	84412543	880
HT52 - 52" Tiller (18-25 gpm)	87311521	880
HT66 - 66" Tiller (14-17 gpm)	84412544	1100
HT66 - 66" Tiller (18-25 gpm)	87311522	1100
HT66H - 66" Tiller HF (28-40 gpm)	87343214	1100
HT78H - 78" Tiller HF (28-40 gpm)	87343215	1370

ADDITIONAL COMPONENTS (Order as Needed)

Scarifier Kit for HT52	87311523	40
Scarifier Kit for HT66, HT66H	87311524	50
Scarifier Kit for HT78H	87343216	60

MODEL COMPATIBILITY	L213 L215 L216		L218 L220 L221	L223	L225 L228	L230 L234		C227		C232 C234 C237 C238	REQ'D EQUIPMENT					
	L150	L160	L170 L175	L180	L185	L190	C175		C185 C190		STD FLOW	HIGH FLOW	CASE DRAIN	MFH	DEMO DOOR	2ND AUX
52" TILLER – STD FLOW (14-17)	•	•									R					
66" TILLER – STD FLOW (14-17)	•	•									R					
52" TILLER – STD FLOW (18-25)			•	•	•	•	•	•	•	•	R					
66" TILLER – STD FLOW (18-25)			•	•	•	•	•	•	•	•	R					
66" TILLER – HIGH FLOW (28-40)			•	•	•	•	•	•	•	•		R	R			
78" TILLER – HIGH FLOW (28-40)			•	•	•	•	•	•	•	•		R	R			

FEATURES

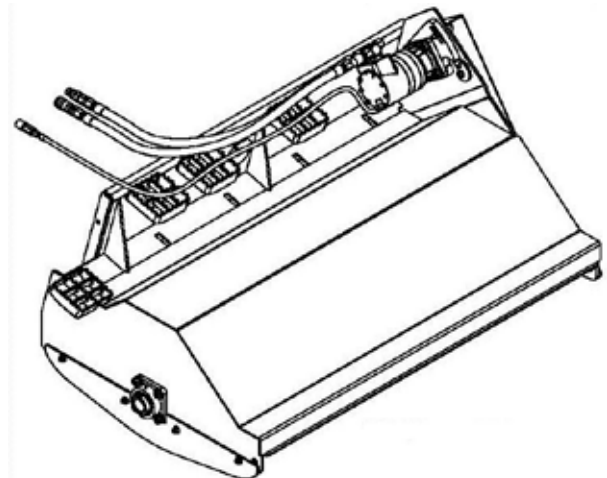
- Industry exclusive optional scarifiers pre-cut rough crust to improve tiller efficiency
- Front hood is heavily ribbed which levels till as a leveling blade
- Exclusive off-set hitch on 52" model allows tight cut next to obstacles
- Industry exclusive on 66" and 78" models with dual hitch both off-set and center mount
- Productivity is further improved with high torque efficient chain system and large frame to handle trash
- Easily adjusted chain tension with CAM lock
- Dual rotation with bi-directional tines standard
- Single wide skid-shoe protects drive and controls depth

APPLICATIONS

- Use for jobsite leveling, soil mixing, seedbed preparation

REQUIREMENTS FOR OPERATION

- Standard auxiliary hydraulics (as indicated)
- High flow auxiliary hydraulics (as indicated)



SPECIFICATIONS

	HT52	HT66	HT66H	HT78H
Working Width (in.)	52	66	66	78
Overall Width (inches)	67.8	81.8	81.8	94.8
Weight - approx. (lbs.)	730	950	950	1220
Cutting Depth (in.)	6	6	6	6
Number of Tines	24	32	32	40
Flow Requirement (gpm)	14-17 18 - 25	14-17 18 - 25	28-40	28-40



TILT-ATTACH

SKID STEER LOADERS/COMPACT TRACK LOADERS

BASE UNIT include hoses and quick disconnects.

REQUIRES STANDARD AUXILIARY BOOM HYDRAULICS	PART NUMBER	WEIGHT LB
TILT-ATTACH - HEAVY DUTY Basic	87311559	400
TILT-ATTACH - HEAVY DUTY Diverter Valve	84257966	425

COMPLETING KITS (Must select one for Tilt-Attach with diverter valve)

UNIVERSAL CONTROL KIT - Includes wire harness, switchbox to be mounted in cab and connections for 12V power. For loaders not equipped with Multifunction Control Kit.	84257970	20
HARNESS ADAPTER - Includes adapter to connect to 14 pin boom harness. For loaders equipped with Multi-function Control Kit.	84257971	5

MODEL COMPATIBILITY	L213 L215 L216	L160 L170	L218 L220 L221	L223	L225 L228	L230 L234	C227	C232 C234 C237 C238	REQ'D EQUIPMENT					
	L150	L175	L180	L185	L190	C175	C185 C190	STD FLOW	HIGH FLOW	CASE DRAIN	MFH	DEMO DOOR	2ND AUX	
TILT-ATTACH - HD BASIC	•	•	•	•	•	•	•	•	R					O
HD TILT-ATTACH - DIVERTER VALVE			•	•	•	•	•	•	R			O		

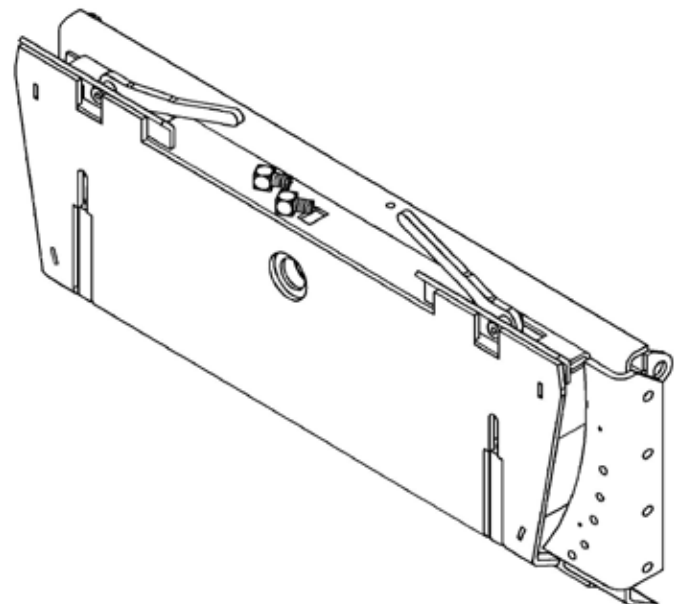
FEATURES

- Independently control attachment angle relative to loader
- Excellent tool for precision grading and contouring
- Mounts between loader and attachment
- Basic model for use with attachments not requiring auxiliary hydraulics or loader must be equipped with 2nd auxiliary function
- Diverter valve model may be used with most standard flow hydraulic attachments

REQUIREMENTS FOR OPERATION

- Standard auxiliary hydraulics
- 2 auxiliary for Basic models if used with hydraulic attachments
- Multi-function Control Kit or Universal Control Kit for diverter valve model if used with hydraulic attachments

SPECIFICATIONS	
	Heavy Duty
Rotation	+/- 18°
Cylinder Bore	2.50"
Cylinder Rod Diameter	1.25"
Cylinder Stroke	3.0"
Attachment Offset	5.4"





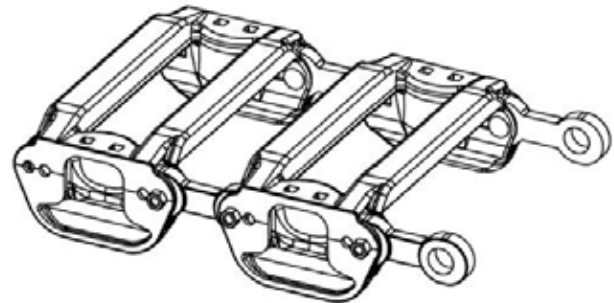
TRACKS, STEEL

SKID STEER LOADERS/COMPACT TRACK LOADERS

Track sets include tracks, hardware and ratchet/strap installation tool. Order wheel spacer kits separately as specified.

	PART NUMBER	WEIGHT LB
F-Series Cast Tracks for 27/10.50 x 15 tires	84406432	840
F-Series Cast Tracks for 10.00 x 16.5 tires	87324790	818
F-Series Cast Tracks for 10.00 x 16.5 tires	87324799	969
F-Series Cast Tracks for 12.00 x 16.5 tires	87324800	1018
F-Series Cast Tracks for 12.00 x 16.5 tires	87324802	1072
F-Series Cast Tracks for 12.00 x 16.5 tires	87324792	1022
F-Series Cast Tracks for 12.00 x 16.5 tires	87324807	1125

Tracks are not compatible with semi-pneumatic, liquid filled, foam filled or any non-pneumatic tires.



ADDITIONAL COMPONENTS (Order as Needed)

Wheel Spacer Kit - 1-1/2" (9/16-18) L150	9862462	45
Wheel Spacer Kit - 1-1/2" (9/16-18)	9862464	67
Wheel Spacer Kit - 2" (9/16-18)	86576810	84
Wheel Spacer Kit - 1-1/2" (M16)	84426158	70
Wheel Spacer Kit - 2" (M16)	84426159	84

MODEL COMPATIBILITY	L213 L215 L216		L150	L218 L220 L221		L160 L170	L175	L223 L225 L228 L230 L234			L180 L185	L190					
	10.00X16.5	27/10.50X15		10.00X16.5	10.00X16.5			12.00X16.5	10.00X16.5	10.00X16.5			12.00X16.5	14x17.5	12.00X16.5	12.00X16.5	14x17.5
	84406432			•													
87324790			•														
87324799				•		•											
87324800					•												
87324792										•							
87324807								•				•					
WHEEL SPACERS																	
9862462 – 1-1/2" (6X6 hub) 9/16-18			•														
9862464 – 1-1/2" 9/16-18						•	•										
86576810 – 2" 9/16-18										•	•						
84426158 – 1-1/2" Spacer kit - M16				•													
84426159 – 2" Spacer kit - M16				•				•*									

*Minimal clearance to boom with 50 mm stops.



TREE SHOVEL

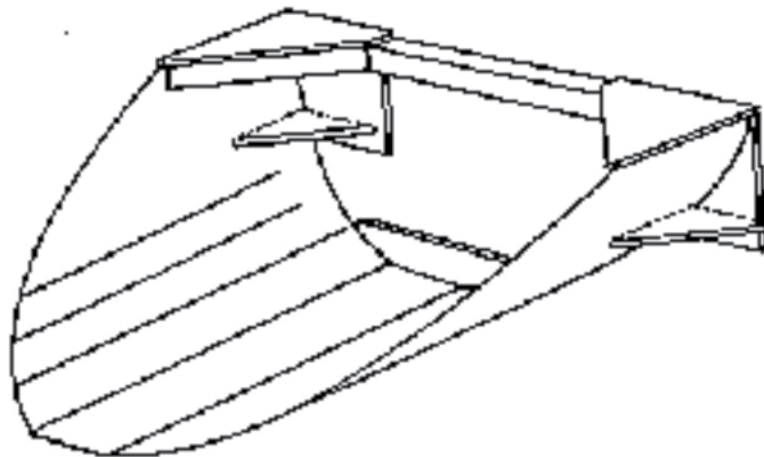
SKID STEER LOADERS/COMPACT TRACK LOADERS

	PART NUMBER	WEIGHT LB
TREE SHOVEL, 36"	9863126	258
TREE SHOVEL, 42"	9863127	360
TREE SHOVEL, 48"	9863128	400

MODEL COMPATIBILITY	L213 L215 L216	L218	L220 L221	L223	L225 L228	L230 L234		C227		C232 C234 C237 C238	REQ'D EQUIPMENT						
	L150	L160 L170	L175	L180	L185	L190	C175		C185 C190		STD FLOW	HIGH FLOW	CASE FLOW	DRAIN	MFH	DEMO DOOR	2ND AUX
36" TREE SHOVEL	•	•	•	•	•	•	•	•	•	•							
42" TREE SHOVEL,	•	•	•	•	•	•	•	•	•	•							
48" TREE SHOVEL,	•	•	•	•	•	•	•	•	•	•							

FEATURES

- Dig holes for incoming trees
- Transplant trees and shrubbery
- Transport/load prepackaged trees
- Place large decorative stones easily
- Constructed of 3/8" plate with sharp tapered edge





TREE SPADE

SKID STEER LOADERS/COMPACT TRACK LOADERS

For specified skid-steer loaders equipped with standard auxiliary boom hydraulics. Includes complete spade with standard control harness, hoses, fittings and quick couplers. Standard control harness requires multi-function control kit on skid-steer loader.

REAR STABILIZERS RECOMMENDED.*	PART NUMBER	WEIGHT LB
Internal Frame, 25° Blade Angle, Truncated Spades		
2625 Tree Spade	87050400	1150
3625 Tree Spade	87050401	1640
4425 Tree Spade	87050402	1875

*See "Rear Stabilizer" pages for rear stabilizer options.

OPTIONAL CONTROL PACKAGES

Complete Control Package - Includes magnetically mounted in-cab controls, wiring harnesses to tree spade connector and battery. Required for skid-steer loaders not equipped with Multi-function Control Kit.	87050392	15
---	----------	----

MODEL COMPATIBILITY	L213 L215 L216		L218	L220 L221	L223	L225 L228		L230 L234		C227		C232 C234 C237 C238	REQ'D EQUIPMENT					
	L150	L160	L170	L175			L180 L185	L190	C175		C185 C190		STD FLOW	HIGH FLOW	CASE DRAIN	MFH	DEMO DOOR	2ND AUX
2625 TREE SPADE		•	•	•	•	•	•	•	•	•	•	•	R			O		
3625 TREE SPADE						•	•	•			•	•	R			O		
4425 TREE SPADE							•	•			•	•	R			O		

SPECIFICATIONS			
DESCRIPTION	2625	3625	4425
Ball Diameter (inches)	18-26	24-36	36-44
Optional Ball Diameter (inches)	—	—	—
Tree Diameter (inches)	1.5 - 2.5	2.0 - 3.5	3.0 - 4.5
Ball weight (lbs.)	150 - 300	250 - 1,000	1,200 - 1,400
Spade weight (lbs.)	1,100	1,500	1,825
Blade Style & Angle	25° Mod. Truncated	25° Mod. Truncated	25° Mod. Truncated
Under Cutter	No	No	No
Frame Style	Internal	Internal	Internal
Number of Blades	3	3	4
DIMENSIONS			
Width (inches)	54	66	63
Width - Gate Open (inches)	67	89	107
Height (inches)	51	65	65
Length (inches)	63	68	70
Max. Opening (inches)	29	40	33
Max. Digging Depth (inches)	22	31	31

Tree Spades (Continued next page)

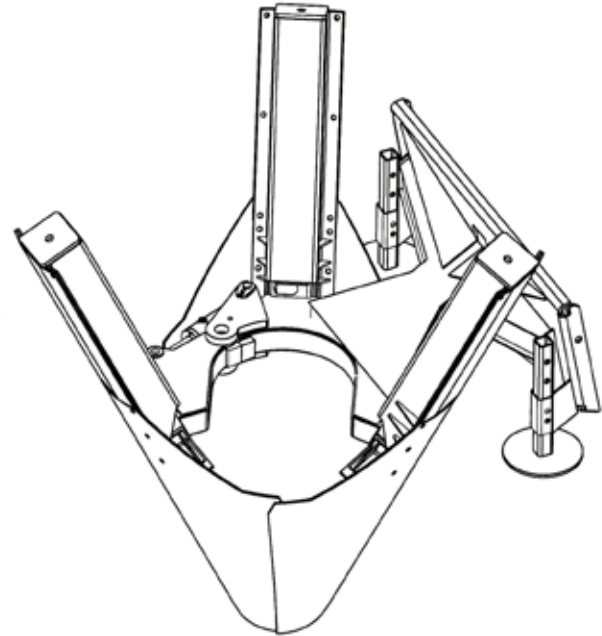


TREE SPADE

SKID STEER LOADERS/COMPACT TRACK LOADERS

FEATURES

- Interfaces with skid-steer auxiliary electric controls or optional electric control joystick to function the hydraulic valve
- Powder coated frame
- Low profile blade towers allow machine to fit between closely planted trees
- High strength "T1" steel blade material
- Two-year warranty
- Overlapping blades to clean cut roots
- Adjustable blade slides to maintain alignment
- Adjustable blade depth control legs
- Wide gate opening to clear trees easily
- Produces round balls that actually fit wire baskets available from many vendors
- Built for heavy use at production nurseries and rental centers
- Straight blade design has less resistance in penetrating soil
- 25° blade angle to adapt to soil conditions and customer preference
- Produce several uniform ball sizes with 1 set of blades
- Inside frame allows work in tight areas and allows a skid-steer to handle a bigger spade size
- Inside frame style allows compressing tree ball in the basket
- Blade towers use high-density plastic slides to eliminate greasing



APPLICATIONS

- Designed for production tree harvesting, nursery applications and landscaping

Tree Spades (Continued next page)



TRENCHER

SKID STEER LOADERS/COMPACT TRACK LOADERS

PREPACKAGED COMPLETE TRENCHER includes drive head, boomer/crumber and chain as indicated. Also includes mounting brackets, manual side shift, hoses and quick couplers. Optional hydraulic side shift also available separately.

	PART NUMBER	WEIGHT LB
MODEL 625 TRENCHER-STD FLOW (14-22 gpm) with 36" Boom/crumber, 86620053 and 6x36 TES chain, 9862926.	47725415	1438
MODEL 625 TRENCHER-STD FLOW (14-22 gpm) with 48" Boom/crumber, 86620055 and 6x48 TES chain, 9862932.	47725416	1476

CONFIGURABLE TRENCHERS. Basic trencher includes trencher head, mounting brackets, manual side shift, hoses and quick couplers. Must specify boom and chain options separately. Optional hydraulic side shift also available separately.

AUXILIARY BOOM HYDRAULICS REQUIRED AS NOTED	PART NUMBER	WEIGHT LB
Model 625 Trencher - Std Flow (14-22 gpm)	86620051	870
Model 640 Trencher - High Flow (25-28 gpm)	84421461	900
Model 640 Trencher - High Flow (29-35 gpm)	87554973	935

MODEL COMPATIBILITY	L213	L215	L216	L218	L220	L221	L223	L225	L228	L230	L234	C227	C232	C234	C237	C238	REQ'D EQUIPMENT						
	L150	L160	L170	L175	L180	L185	L190	C175	C185	C190							STD FLOW	HIGH FLOW	CASE DRAIN	MFH	DEMO DOOR	2ND AUX	
625 TRENCHER - STD FLOW (14-22 gpm)	•	•	•	•	•	•	•	•	•	•	•	•	•	•	•	•	R						O
MODEL 640 TRENCHER- HIGH FLOW (25-28gpm)				•	•													R	R				O
MODEL 640 TRENCHER - HIGH FLOW (29-35 gpm)						•	•	•	•	•	•	•	•	•	•	•		R	R				O

OPTIONS (Order as required)

	PART NUMBER	WEIGHT LB
Hydraulic Side shift package - Requires 2nd aux. kit	86620056	52

COMPLETING PACKAGES

BOOM AND CRUMBER OPTIONS (Must Order One to Complete Unit)

30" Boom and crumber assembly	86620052	104
36" Boom and crumber assembly	86620053	115
42" Boom and crumber assembly	86620054	128
48" Boom and crumber assembly	86620055	140
60" Boom and crumber assembly (for model 640 only)	87554975	180

Trenchers (Continued next page)



TRENCHER

SKID STEER LOADERS/COMPACT TRACK LOADERS

CHAIN OPTIONS 50,000 lb, 2" pitch (Must match boom length. Order one to Complete Unit.)

	PART NUMBER	WEIGHT LB
For 30" Boom - Tooth Every Station (TES)		
6" wide chain	9862922	110
8" wide chain	9862923	118
10" wide chain	9862924	130
12" wide chain	9862925	145
For 30" Boom - Tooth Every Other Station (TEOS)		
6" wide chain	9862934	89
8" wide chain	9862935	94
10" wide chain	9862936	98
12" wide chain	9862937	108
For 30" Boom - Rock and Frost Chain		
6" wide chain (50% bullet teeth/ 50% cup teeth)	86621857	152
For 30" Boom - Shark tooth Chain		
6" wide chain (70% shark teeth/30% cup teeth)	87027549	118
6" wide chain (100% shark teeth)	87027550	121
For 36" Boom - Tooth Every Station (TES)		
6" wide chain	9862926	135
8" wide chain	9862927	142
10" wide chain	9862928	155
12" wide chain	87050858	190
For 36" Boom - Tooth Every Other Station (TEOS)		
6" wide chain	9862938	103
8" wide chain	9862939	108
10" wide chain	9862940	116
For 36" Boom - Rock and Frost Chain		
6" wide chain (50% bullet teeth/50% cup teeth)	86621858	182
For 36" Boom - Shark Tooth Chain		
6" wide chain (70% shark teeth/30% cup teeth)	87027551	133
6" wide chain (100% shark teeth)	87027552	137
For 42" Boom - Tooth Every Station (TES)		
6" wide chain	9862929	148
8" wide chain	9862930	156
10" wide chain	9862931	170

	PART NUMBER	WEIGHT LB
For 42" Boom - Tooth Every Other Station (TEOS)		
6" wide chain	9862941	117
8" wide chain	9862942	123
10" wide chain	9862943	132
For 42" Boom - Rock and Frost Chain		
6" wide chain (50% bullet teeth/50% cup teeth)	86621859	212
For 42" Boom - Shark Tooth Chain		
6" wide chain (70% shark teeth/30% cup teeth)	87027553	153
6" wide chain (100% shark teeth)	87027554	151
For 48" Boom - Tooth Every Station (TES)		
6" wide chain	9862932	160
8" wide chain	9862933	170
For 48" Boom - Tooth Every Other Station (TEOS)		
6" wide chain	9862944	130
8" wide chain	9862945	137
For 48" Boom - Rock and Frost Chain		
6" wide chain (50% bullet teeth/50% cup teeth)	86621860	242
For 48" Boom - Shark Tooth Chain		
6" wide chain (70% shark teeth/30% cup teeth)	87027555	168
6" wide chain (100% shark teeth)	87027556	172
For 60" Boom - Tooth Every Station (TES)		
6" wide chain	9862960	173
For 60" Boom - Tooth Every Other Station (TEOS)		
6" wide chain	9862970	149
For 60" Boom - Rock and Frost Chain		
6" wide chain (50% bullet teeth/50% cup teeth)	87050857	265
For 60" Boom - Shark Tooth Chain		
6" wide chain (70% shark teeth/30% cup teeth)	87027565	195

Trenchers (Continued next page)

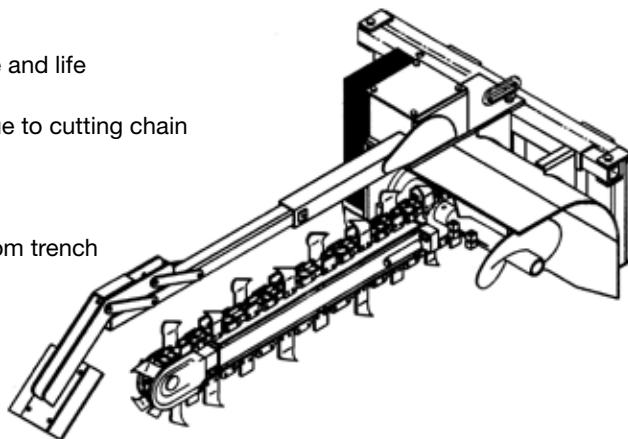


TRENCHER

SKID STEER LOADERS/COMPACT TRACK LOADERS

FEATURES

- Side shift: Manual standard; Hydraulic optional
- 2" pitch, 50,000 lb, anti-back flex chain for maximum performance and life
- High torque hydraulic motor for maximum digging power
- Heavy duty chain (625) or planetary (640) reduction amplifies torque to cutting chain
- Sealed idler bearing is maintenance free (625)
- Low profile dirt shield for improved operator visibility
- Built-in skid shoe to provide positive depth control for auger
- Pivoting crumber shoe and bar to assist with loose soil removal from trench
- Bolt-on replaceable wear strips on boom extend boom life under rough conditions
- Drum scrapers included



REQUIREMENTS FOR OPERATION

- Standard Auxiliary hydraulics (as indicated)
- High Flow Auxiliary hydraulics (as indicated)

SPECIFICATIONS					
DESCRIPTION	30 in.	36 in.	42 in.	48 in.	60 in.
Trench Depth with Auger @ 65° Digging Angle.	30"	36"	42"	48"	60"
Trench Widths Available:	6, 8, 10, 12"	6, 8, 10, 12"	6, 8, 10"	6, 8"	6"
Recommended Trenching Angle	65°	65°	65°	65°	65°
Head shaft Height	8"	8"	8"	8"	8"
Overall Trencher Length	66"	73"	80"	86"	86"
Overall Trencher Width	48"	48"	48"	48"	48"
Overall Trencher Height	32"	32"	32"	32"	32"
Spoil Discharge Reach	18"	18"	18"	18"	18"
Side Shift, Right of Corner	17"	17"	17"	17"	17"
Distance from Centerline Drive Sprocket to Back of Mounting Frame	16"	16"	16"	16"	16"

CHAIN SELECTION

TOOTH EVERY STATION (TES):

Designed for standard digging conditions in light to moderately compacted, sandy, loam soils and loosely packed gravelly soils. Typically good digging conditions.

TOOTH EVERY OTHER STATION (TEOS):

Designed to be the most productive in wet, sticky conditions such as wet clay, gumbo, etc. TEOS allows sticky soils to be discharged as it comes around the headshaft sprocket allowing the auger to pick it up and discharge spoil to the side of the trench.

ROCK AND FROST CHAIN 50/50 (50% R&F teeth/50% cup teeth):

Gives highest production in frozen ground, highly compacted or rocky soils. Bullet shaped rock teeth break tougher soils and rock allowing the cup teeth to pick it up and clean the trench. Aggressive in tough conditions but not as productive in lighter normal conditions.

SHARK TOOTH CHAIN 70/30 (70% Shark teeth/30% cup teeth):

The 70/30 chain should be used in compacted soils, light frozen ground, baked hard clay, shale or rocky soils. Shark teeth will slice, break and relieve the tough soils allowing cup teeth to follow and clean the trench. Not as productive as TES chain in normal digging conditions.

FULL SHARK TOOTH CHAIN (100% SHARK teeth):

Full shark tooth chain is recommended for fracturable rock, shale, caliche or conditions with little or no loose soil. Will not efficiently clean the trench in sand, silt, and high moisture clay conditions.



VIBRATORY ROLLER (PADFOOT DRUM)

SKID STEER LOADERS/COMPACT TRACK LOADERS

Unit includes mounting plate, hoses and quick couplers.

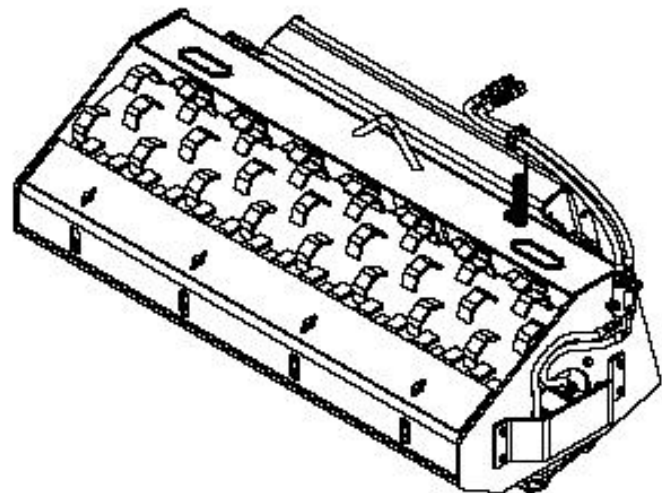
REQUIRES STANDARD AUXILIARY BOOM HYDRAULICS	PART NUMBER	WEIGHT LB
VRP48 48" Vibratory Roller	87373402	1630
VRP66 66" Vibratory Roller	87373403	2085
VRP73 73" Vibratory Roller	87373404	2230
VRP84 84" Vibratory Roller	87373405	2455

MODEL COMPATIBILITY	L213 L215 L216	L218	L220 L221	L223	L225 L228	L230 L234		C227		C232 C234 C237 C238	REQ'D EQUIPMENT					
	L150	L160 L170	L175	L180	L185	L190	C175		C185 C190		STD FLOW	HIGH FLOW	CASE DRAIN	MFH	DEMO DOOR	2ND AUX
48" VIBRATORY ROLLER	•	•	•	•	•	•	•	•	•	•	R					
66" VIBRATORY ROLLER		•	•	•	•	•	•	•	•	•	R					
73" VIBRATORY ROLLER				•	•	•		•	•	•	R					
84" VIBRATORY ROLLER					•	•			•	•	R					

SPECIFICATIONS				
DESCRIPTION	VRP48	VRP66	VRP73	VRP84
Drum Width - in. (mm)	48 (1219)	66 (1676)	73 (1854)	84 (2134)
Drum Diameter - in. (mm)	22 (559)	22 (559)	22 (559)	22 (559)
Dynamic Force - lb. (kn)	5750 (25.6)	7800 (34.7)	8550 (38.0)	9370 (41.7)
Frequency @ 20 gpm - vpm	2600	2600	2600	2600
Vibrating Wt. - lb. (kg)	890 (404)	1130 (513)	1225 (556)	1370 (621)
Operating Wt. - lb. (kg)	1630 (739)	2085 (946)	2230 (1012)	2455 (1114)
Drum Oscillation	±15°	±15°	±15°	±15°
Max. Hyd. Flow - gpm (lpm)	25 (95)	25 (95)	25 (95)	25 (95)

FEATURES

- Compact sand, gravel or soil in preparation for concrete or asphalt surfacing
- Drum scrapers included
- ± 15° Drum oscillation
- Includes quick disconnects
- Can be center mounted or offset 12" to right





VIBRATORY ROLLER (SMOOTH DRUM)

SKID STEER LOADERS/COMPACT TRACK LOADERS

Unit includes mounting plate, hoses and quick couplers.

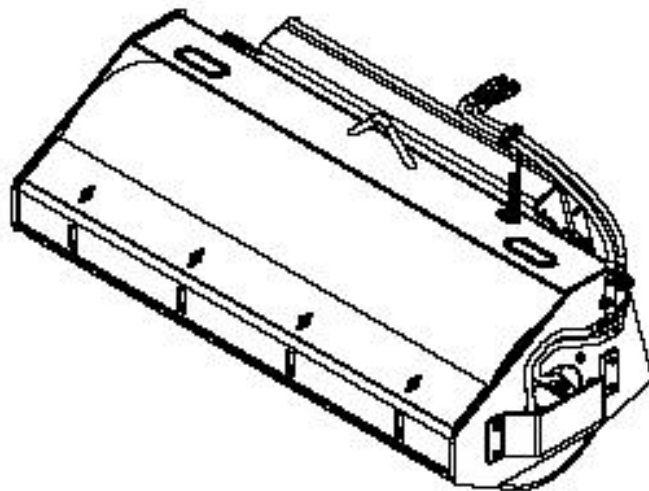
REQUIRES STANDARD AUXILIARY BOOM HYDRAULICS	PART NUMBER	WEIGHT LB
VRS48 48" Vibratory Roller	87373005	1680
VRS66 66" Vibratory Roller	87373006	2150
VRS73 73" Vibratory Roller	87373007	2300
VRS84 84" Vibratory Roller	87373008	2530

MODEL COMPATIBILITY	L213 L215 L216	L218	L220 L221	L223	L225 L228	L230 L234		C227		C232 C234 C237 C238	REQ'D EQUIPMENT					
	L150	L160 L170	L175	L180	L185	L190	C175		C185 C190		STD FLOW	HIGH FLOW	CASE DRAIN	MFH	DEMO DOOR	2ND AUX
48" VIBRATORY ROLLER	•	•	•	•	•	•	•	•	•	•	R					
66" VIBRATORY ROLLER		•	•	•	•	•	•	•	•	•	R					
73" VIBRATORY ROLLER				•	•	•		•	•	•	R					
84" VIBRATORY ROLLER					•	•			•	•	R					

SPECIFICATIONS				
DESCRIPTION	VRP48	VRP66	VRP73	VRP84
Drum Width - in. (mm)	48 (1219)	66 (1676)	73 (1854)	84 (2134)
Drum Diameter - in. (mm)	24 (610)	24 (610)	24 (610)	24 (610)
Dynamic Force - lb. (kn)	5750 (25.6)	7800 (34.7)	8550 (38.0)	9370 (41.7)
Frequency @ 20 gpm - vpm	2600	2600	2600	2600
Vibrating Wt. - lb. (kg)	935 (424)	1190 (540)	1290 (585)	1440 (653)
Operating Wt. - lb. (kg)	1680 (762)	2150 (975)	2300 (1043)	2550 (1157)
Drum Oscillation	±15°	±15°	±15°	±15°
Max. Hyd. Flow - gpm (lpm)	25 (95)	25 (95)	25 (95)	25 (95)

FEATURES

- Compact sand, gravel or soil in preparation for concrete or asphalt surfacing
- Drum scrapers included
- ± 15° Drum oscillation
- Includes quick disconnects
- Can be center mounted or offset 12" to right





WATER KIT

SKID STEER LOADERS/COMPACT TRACK LOADERS

Water kit may be used with pick-up sweepers, angle brooms, cold planers, rock wheels, vibratory rollers and other attachments where dust control is important.

REQUIRES TUBING AND NOZZLE KIT FOR INDIVIDUAL ATTACHMENTS	PART NUMBER	WEIGHT LB
Water Kit, Rear Mount for L/C100 Series	86619370	300
Water Kit, Roof Mount for L/C200 Series	84399981	50

COMPLETING PACKAGES (Order as Needed)

Mounting Adapter Kit - Required for LS140, LS150, L140, L150 only	86619371	40
Water Nozzle Kit for brooms, other attachments - includes 4 nozzles, tubing, mounting brackets, hose and quick disconnect coupling	86619372	15
Water Nozzle Kit - includes 3 spray nozzles, tubing, and fitting to reach coupler on loader boom for SP12 - HP30 cold planers.	87045462	10
Water Nozzle Kit - includes 4 spray nozzles, tubing, and fitting to reach coupler on loader boom for HP40 cold planers.	87326406	12

MODEL COMPATIBILITY	L150	L160 L170	L175	L180 L185	L190	C175	C185 C190	L213	L215	L216	L218	L220	L221	L223	L225	L228	L230	L234	C227	C232	C234	C237	C238	REQ'D EQUIP		
Water Kit, Rear Mount for L/C100 Series - 86619370	•	•	•	•	•	•	•																			○
Water Kit, Roof Mount for L/C200 Series - 84399981								•	•	•	•	•	•	•	•	•	•	•	•	•	•	•	•	•		○

FEATURES

REAR MOUNT

- 40 gallon capacity
- Rear-mounted, dual tanks
- Includes pump, tubing to end of loader boom, wiring harness, control box
- Water tanks mount to rear counterweight brackets on loader – order from CNH Industrial Parts & Service if required

ROOF MOUNT

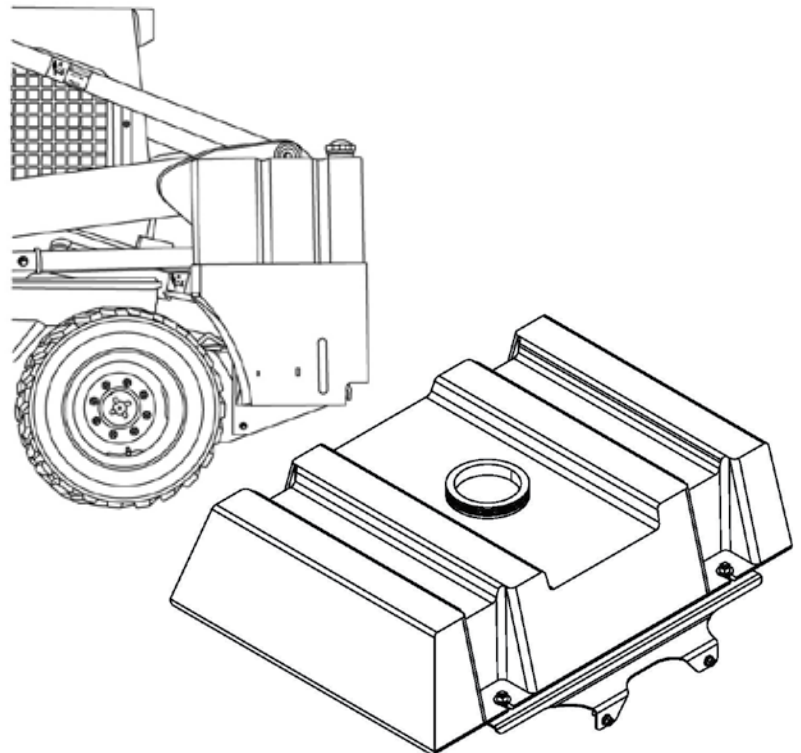
- 30 gallon capacity
- Roof mounted, low-profile tank
- Includes mounting brackets, pump, tubing to end of loader boom, wiring harness, control box

APPLICATIONS

- Pick-up brooms, angle brooms, cold planers, rock saws, vibratory rollers and other attachments requiring dust control

REQUIREMENTS FOR OPERATION

- Nozzle kit for specific applications





SKID STEER LOADERS/COMPACT TRACK LOADERS

**THIS PAGE
INTENTIONALLY
LEFT BLANK**

TRACTOR LOADERS/ BACKHOE LOADERS







INDEX

TRACTOR LOADERS/BACKHOE LOADERS

Auger	LBH-2-3
Bale Spear	LBH-4
Box Scraper	LBH-5
Broom, Angle	LBH-6
Broom, Collector	LBH-7
Bucket, General Purpose	LBH-8
Bucket, 4x1	LBH-9
Coupler, FFC Quick Attach	LBH-10
Scrap Grapple Bucket	LBH-11
Hydraulic Compactor	LBH-12
Hydraulic Hammer	LBH-13
Lift Boom	LBH-14
Pallet Fork	LBH-15
Snow Blade	LBH-16
Snow Push	LBH-17
Snow Push – Sectional	LBH-18
Thumb	LBH-19
Tree Shovel	LBH-20



AUGER

TRACTOR LOADERS/BACKHOE LOADERS

BASE UNITS

	PART NUMBER	WEIGHT LB
DRIVE UNITS - LOADER MOUNT Includes auger drive unit, mounting bracket, hoses, and flat face disconnects.		
AUGER DRIVE, X1975H200 – Drive unit with 2" hex output shaft	87389730	550
AUGER DRIVE, X5075H200 – Drive unit with 2" hex output shaft (includes case drain plumbing)	87488583	700
DRIVE UNITS - DIPPER MOUNT Includes auger drive unit, hoses, case drain plumbing and flat face quick disconnects.		
AUGER DRIVE, X5075H200 – Drive unit with 2" hex output shaft (includes case drain plumbing)	87488584	500

DIPPER MOUNT OPTIONS (Must Order One for Complete Unit)

PENDULUM MOUNT BRACKET	87389736	134
CRADLE MOUNT BRACKET	87389733	140

AUGER OPTIONS (Must order one for complete unit)

HDF STYLE AUGERS	PART NUMBER	WEIGHT LB
2" Hex Coupler		
6" X 4' AUGER	9863626	40
9" X 4' AUGER	9863627	86
12" X 4' AUGER	9863628	115
15" X 4' AUGER	9863629	136
18" X 4' AUGER	9863630	176
24" X 4' AUGER	9863631	278
30" X 4' AUGER	9863632	325
36" X 4' AUGER	9863633	443

HDC STYLE AUGERS	PART NUMBER	WEIGHT LB
2" Hex Coupler		
6" X 4' AUGER	9863634	45
9" X 4' AUGER	9863635	98
12" X 4' AUGER	9863636	128
15" X 4' AUGER	9863637	139
18" X 4' AUGER	9863638	204
24" X 4' AUGER	9863639	272
30" X 4' AUGER	9863640	312
36" X 4' AUGER	9863641	430

HTF STYLE AUGERS	PART NUMBER	WEIGHT LB
2" Hex Coupler		
18" X 4' AUGER	9863642	144
24" X 4' AUGER	9863643	198
30" X 4' AUGER	9863644	264
36" X 4' AUGER	9863645	349



HDF STYLE AUGERS

For light to moderate ground conditions

- Fabricated boring head
- Hardened, bolt-on teeth
- Hardened "fishtail" point
- HD double flighting
- 4' overall length



HDC STYLE AUGERS

For difficult ground conditions, compacted soils, heavy clay, asphalt, frozen ground, fracturable rock

- HD cast boring head
- Hardened, drive-in teeth
- Hardened "fishtail" point
- Heavy duty double flighting
- 4' overall length



HTF STYLE AUGERS

For tree and shrub planting

- Fabricated boring head
- Two-diameter design
- Hardened, bolt-on teeth
- Hardened "fishtail" point
- HD double flighting
- 4' overall length

Augers (Continued next page)



AUGER

TRACTOR LOADERS/BACKHOE LOADERS

SRR ROCK AUGERS	PART NUMBER	WEIGHT LB
2" Hex Coupler		
6" X 4' Rock Auger	47904378	82
9" X 4' Rock Auger	47904381	110
12" X 4' Rock Auger	47904382	137
16" X 4' Rock Auger	47904383	171
18" X 4' Rock Auger	47904384	192
20" X 4' Rock Auger	47904385	239
24" X 4' Rock Auger	47904386	285
30" X 4' Rock Auger	47904387	315
36" X 4' Rock Auger	47904388	414



SRR Rock Augers

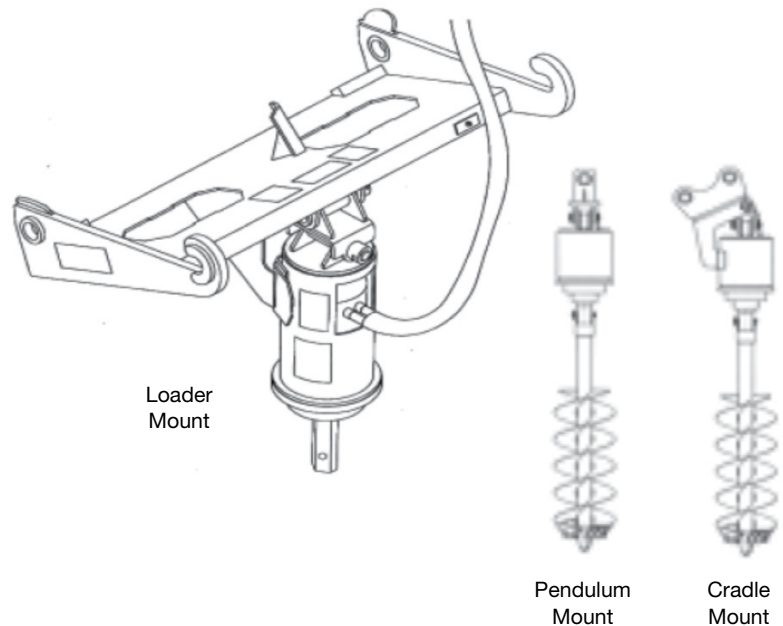
For solid, fracturable rock, frozen ground and compacted soils

- Bullet style teeth
- Fabricated boring head
- HD single flighting
- 2" hexagon collar only
- .75" thick bottom flight and a hardface outer edge
- 4' overall length

AUGER ADAPTERS AND EXTENSIONS	PART NUMBER	WEIGHT LB
2" HEX FEMALE TO 2-9/16" ROUND MALE	9863646	16
12" EXTENSION, 2" HEX	87042601	20
24" EXTENSION, 2" HEX	87042602	32
48" EXTENSION, 2" HEX	84514060	57

MODEL COMPATIBILITY	LV80/LV80.B	U80/U80B/U80C	MECHANICAL CONTROLS				PILOT CONTROLS				REQ'D EQUIPMENT			
			LB75-LB110 LB75.B-LB110.B	B95-B110 B95.B-B110.B	B95TC/B95.BTC	LB75-LB110 LB75.B-LB110.B	B95-B110 B95.B-B110.B	B95TC/B95.BTC	LB115/LB115.B B115/B115.B	LOADER AUX. HYD.	QUICK COUPLER	HOSE/ QD KIT	BI-DIR DIPPER AUX. HYD.	
AUGER DRIVE, X1975H200 LOADER MOUNT			•	•	•						R	R	R	
AUGER DRIVE, X5075H200 LOADER MOUNT	•	•				•	•	•	•	•	R	R	R	
AUGER DRIVE, X5075H200 DIPPER MOUNT			•	•	•	•	•	•	•	•				R

SPECIFICATIONS		
Auger Model	X1975	X5075
Flow (gpm)	15-30	28-40
RPM @ max flow	100	85
Max torque @ max flow and pressure (ft-lb)	2769	5069
Planetary Gear Reduction	3.8:1 Planetary Gearbox	6.1:1 Planetary Gearbox
Max auger diameter	36"	36"
Output shaft	2" Hex	2" Hex
Warranty - Gearbox	5 year	5 year
Warranty - Other, (non-wear)	1 year	1 year





BALE SPEAR

TRACTOR LOADERS/BACKHOE LOADERS

	PART NUMBER	WEIGHT LB
BALE SPEAR	87473539	277

MODEL COMPATIBILITY	LV80/LV80.B	U80/U80B/U80C	LB75-LB110/LB75.B-LB110.B	B95-B110/B90B-B110B/B95C-B110C	B95TC/B95BTC/B95CTC	LB115/LB115.B/B115/B115B	REQ'D EQUIPMENT		
							AUX. HYD.	QUICK COUPLER	HOSE/ OD KIT
BALE SPEAR	•	•	•	•	•	•		R	

FEATURES

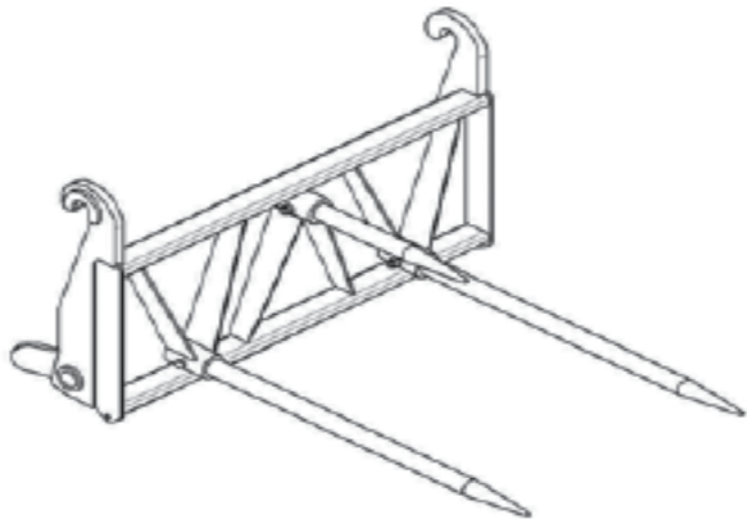
- Main spears – dual tapered, forged, 2-1/8" dia x 48"
- Stabilizer spike - single 1-1/4" dia x 19"

APPLICATIONS

- For bales up to 4,000 lbs. @ 24" load center

REQUIREMENTS FOR OPERATION

- Quick coupler (QC)
- Rear counterweight recommended for LV80, LV80.B, U80, U80B, U80C





BOX SCRAPER

TRACTOR LOADERS/BACKHOE LOADERS

	PART NUMBER	WEIGHT LB
84" BOX SCRAPER	86982389	1565
88" BOX SCRAPER	84149584	1723

MODEL COMPATIBILITY	LV80/LV80.B	U80/U80B/U80C	LB75-LB110/LB75.B-LB110.B	B95-B110/B90B-B110B/B95C-B110C	B95TC/B95BTC/B95CTC	LB115/LB115.B/B115/B115B	REQ'D EQUIPMENT				
							AUX. HYD.	QUICK COUPLER	HOSE/ QD KIT	REAR REMOTE AUX. HYD.	3-PT. HITCH
84" BOX SCRAPER	•	•							R	R	
88" BOX SCRAPER	•	•							R	R	

FEATURES

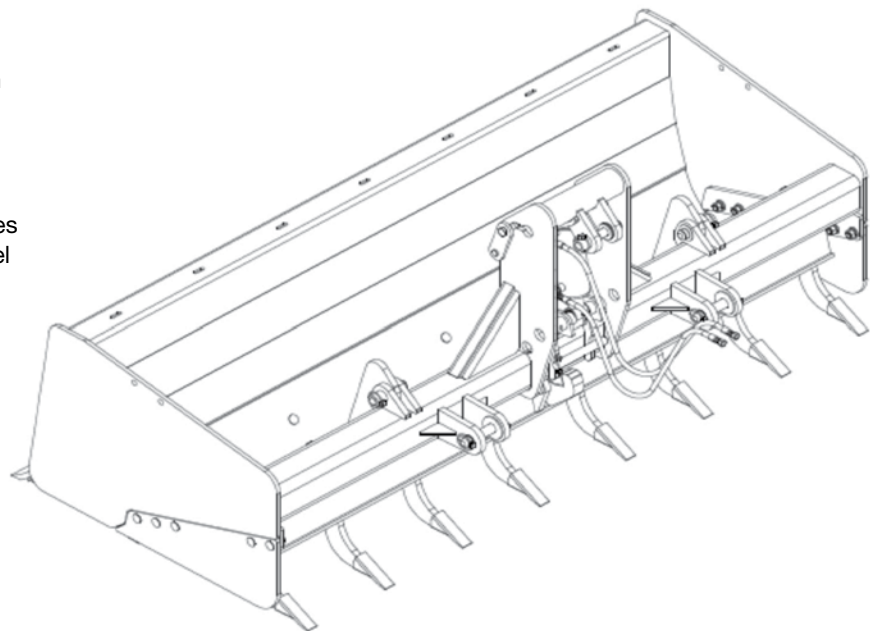
- High-profile moldboard provides increased carrying capacity with minimal drag and great boiling action
- Double wall moldboard with heavy-duty side plates prevent twisting
- Hydraulically actuated scarifier increases ripping penetration
- Fits two- or four-wheel-drive machines
- Replaceable side plates on 88" model

APPLICATIONS

- For fine grading and heavy-duty landscaping jobs; backfills, grades, excavates, rips and scarifies

REQUIREMENTS FOR OPERATION

- 3-point hitch
- Rear remote auxiliary hydraulics





BROOM, ANGLE

TRACTOR LOADERS/BACKHOE LOADERS

Base unit includes mounting bracket, hoses, quick disconnects and parking stands.
 Must order manual or hydraulic angle kit for complete unit.

	PART NUMBER	WEIGHT LB
96" ANGLE BROOM with poly/wire brush and single drive motor	84215700	1700
96" ANGLE BROOM with poly/wire brush and dual drive motors	84215701	1783

OPTIONAL EQUIPMENT (Must Order One for Complete Unit)

MANUAL ANGLE KIT	84215707	45
HYDRAULIC ANGLE KIT	84215708	50

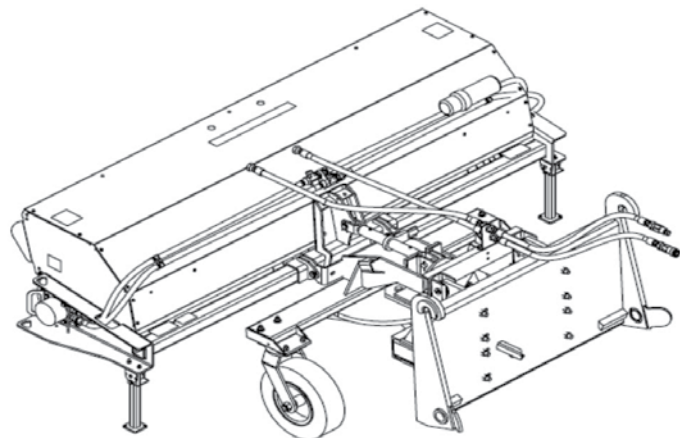
REPLACEMENT BRUSH SETS

Poly/wire Brush set for 96" broom	84376840	196
-----------------------------------	----------	-----

MODEL COMPATIBILITY	LV80/LV80.B	U80/U80B/U80C	MECHANICAL CONTROLS			PILOT CONTROLS			LB115/LB115.B B115/B115.B	REQ'D EQUIPMENT		
			LB75-LB110 LB75.B-LB110.B	B95-B110 B95.B-B110.B	B95TC/B95.BTC	LB75-LB110 LB75.B-LB110.B	B95-B110 B95.B-B110.B	B95TC/B95.BTC		AUX. HYD.	QUICK COUPLER	HOSE/ QD KIT
96" ANGLE BROOM (single motor)			•	•	•					R	R	R
96" ANGLE BROOM (dual motors)	•	•				•	•	•	•	R	R	R

FEATURES

- Parking stands
- Angles 30° right or left
- 32" brush diameter
- Adjustable broom head
- Integral nozzle mounting for water application
- 50/50 Poly/wire brush core
- Bolt together hood for simple, less costly replacement, if damaged
- Quick-change brush without breaking hydraulic lines
- Single or Dual hydraulic motors
- Caster wheels – 4.80-8 tires



APPLICATIONS

- Street cleaning & parking lot maintenance, road maintenance clean-up, bridge deck clean-up, jobsite clean-up
- Snow removal

REQUIREMENTS FOR OPERATION

- Auxiliary hydraulics
- Quick coupler
- Auxiliary Hose/quick disconnect kit (included with factory-installed coupler on B95TC/B95BTC/B95CTC)



BROOM, COLLECTOR

TRACTOR LOADERS/BACKHOE LOADERS

Base unit includes mounting bracket, hoses, and quick disconnects.

	PART NUMBER	WEIGHT LB
84" COLLECTOR BROOM with poly/wire brush and single drive motor	84274989	1672
84" COLLECTOR BROOM with poly/wire brush and dual drive motors	84274990	1712
96" COLLECTOR BROOM with poly/wire brush and single drive motor	84274991	1737
96" COLLECTOR BROOM with poly/wire brush and dual drive motors	84274992	1777

OPTIONAL EQUIPMENT

GUTTER BRUSH KIT (Wire, Single - mounts right or left)	84274995	90
GUTTER BRUSH KIT (Poly, Single - mounts right or left)	84274997	90
DUST CONTROL KIT (25 gal. tank, nozzles, hose, wiring)	84274998	47

REPLACEMENT BRUSH SETS

Poly/wire Brush set for 84" broom	84375438	134
Poly/wire Brush set for 96" broom	84376837	145

MODEL COMPATIBILITY	LV80/LV80.B	U80/U80B/U80C	MECHANICAL CONTROLS				PILOT CONTROLS				REQ'D EQUIPMENT		
			LB75-LB110 LB75.B-LB110.B	B95-B110 B95.B-B110.B	B95TC/B95.BTC	LB75-LB110 LB75.B-LB110.B	B95-B110 B95.B-B110.B	B95TC/B95.BTC	LB115/LB115.B B115/B115.B	AUX. HYD.	QUICK COUPLER	HOSE/ QD KIT	
84" COLLECTOR BROOM (single motor)			•	•	•						R	R	R
84" COLLECTOR BROOM (dual motor)	•	•				•	•	•	•		R	R	R
96" COLLECTOR BROOM (single motor)			•	•	•						R	R	R
96" COLLECTOR BROOM (dual motor)						•	•	•	•		R	R	R

FEATURES

- CS High Dump Collector Sweeper with floating suspension
- 26" Diameter poly/wire combination brush
- Parallel arm floating suspension with 4 caster wheels allows sweeper to follow ground contour independent of loader
- High dump feature to dump into trucks and containers
- No chains, additional connections to the loader or electrical connections are required to dump
- Hopper dumps by reversing hydraulic flow
- Forward sweeping action into the front mounted collector hopper
- E-Z change brush pattern adjustment and floating brush

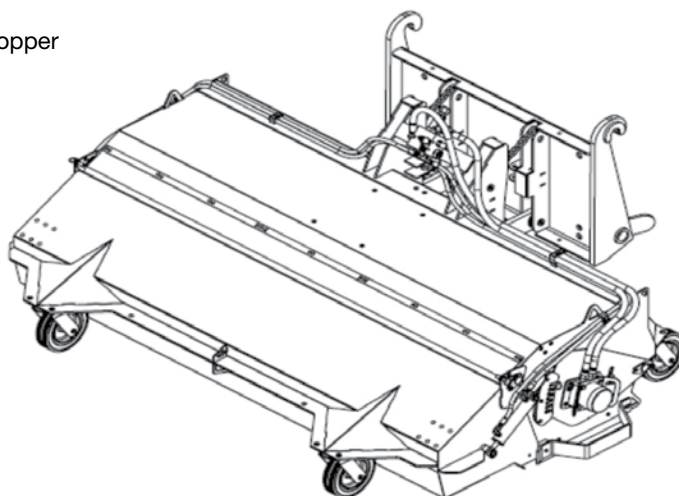
APPLICATIONS

- Parking lot, city street, county and state road sweeping
- Construction site clean-up
- Access road clean-up

REQUIREMENTS FOR OPERATION

- Auxiliary hydraulics
- Quick coupler
- Auxiliary hose/quick disconnect kit (included with factory-installed coupler on B95TC/B95BTC/B95CTC)

	SPECIFICATIONS			
Sweep width	84"	84"	96"	96"
Drive motors	Single	Dual	Single	Dual
Overall width	99"	99"	111"	111"
Operating wt.	1507 lb.	1547 lb.	1537 lb.	1577 lb.
Brush diam.	26"	26"	26"	26"
Hopper cap.	.53 yd ³	.53 yd ³	.61 yd ³	.61 yd ³
Flow Range	15-25 gpm	26-50 gpm	15-25 gpm	26-50 gpm
Pressure Range - psi	2000-3500	2000-3500	2000-3500	2000-3500





BUCKET, GENERAL PURPOSE

TRACTOR LOADERS/BACKHOE LOADERS

COUPLER BUCKETS

	PART NUMBER	WEIGHT LB
82" GP BUCKET (1.0 yd3)	87335024	910
88" GP BUCKET (1.3 yd3)	85819317	975

PIN-ON BUCKETS

NO COUPLER REQUIRED	PART NUMBER	WEIGHT LB
88" GP BUCKET (1.3 yd3)	87375219	975

MODEL COMPATIBILITY	LV80/LV80.B	U80/U80B/U80C	LB75-LB110/LB75.B-LB110.B	B95-B110/B90B-B110B/B95C-B110C	B95TC/B95BTC/B95CTC	LB115/LB115.B/B115/B115B	REQ'D EQUIPMENT		
							AUX. HYD.	QUICK COUPLER	HOSE/ QD KIT
82" GP BUCKET	•	•						R	
88" GP BUCKET			•	•	•	•		R	
88" GP BUCKET – PIN-ON			•	•					

FEATURES

- Drilled for bolt-on edge

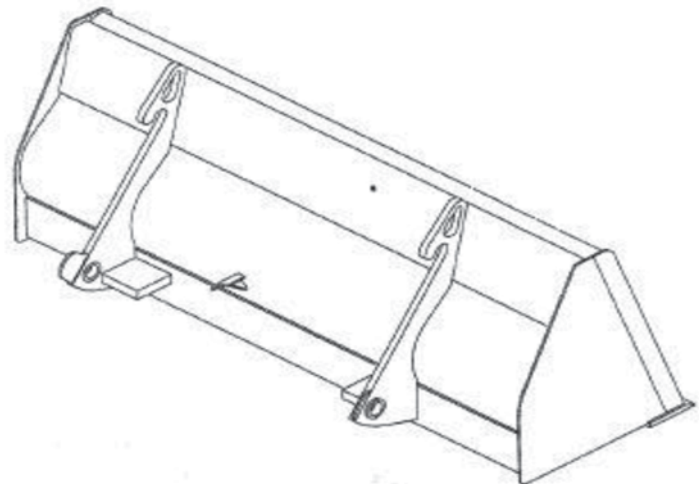
APPLICATIONS

- General purpose material handling, landscaping and site development, utility, road and bridge construction and general contracting

REQUIREMENTS FOR OPERATION

- Quick coupler (QC) (Coupler buckets)

ACCESSORIES	
Width	Bolt-On edge
82"	411661A1
88"	85999108





BUCKET, 4X1

TRACTOR LOADERS/BACKHOE LOADERS

COUPLER BUCKETS

	PART NUMBER	WEIGHT LB
82" 4X1 HD BUCKET	87338937	1100
90" 4X1 HD BUCKET	85819308	1300

PIN-ON BUCKETS

	PART NUMBER	WEIGHT LB
90" 4X1 HD BUCKET	84143734	1300

MODEL COMPATIBILITY	LV80/LV80.B	U80/U80B/U80C	LB75-LB110/LB75.B-LB110.B	B95-B110/B90B-B110B/B95C-B110C	B95TC/B95BTC/B95CTC	LB115/LB115.B/B115/B115B	REQ'D EQUIPMENT		
							AUX. HYD.	QUICK COUPLER	HOSE/ QD KIT
82" 4X1 HD BUCKET	•	•					R	R	R
90" 4X1 HD BUCKET			•	•	•	•	R	R	R
90" 4X1 HD BUCKET – PIN-ON			•	•			R		

FEATURES

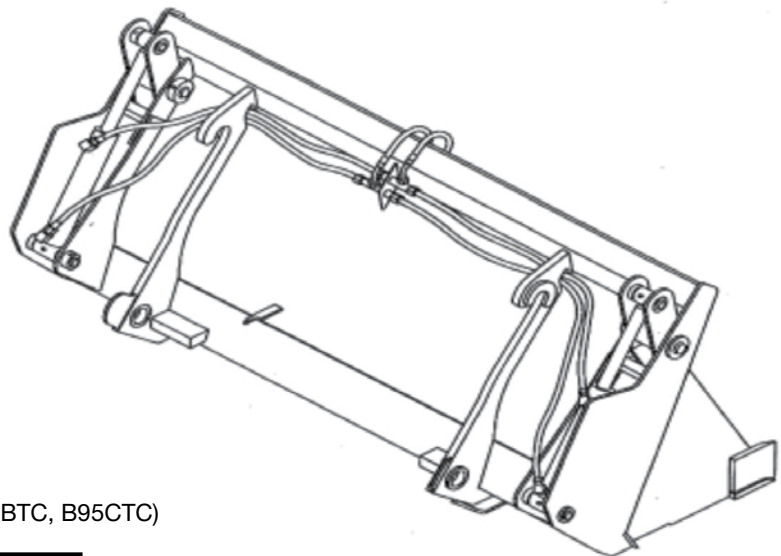
- Hoses and quick disconnects included
- Load holding check valve
- 34-1/2" height, 24-3/4" floor length
- 41" clam opening

APPLICATIONS

- Functions as a loader bucket, clam, dozer, scraper and bottom dump bucket
- Material spreading – gravel, mulch, dirt, etc.

REQUIREMENTS FOR OPERATION

- Auxiliary hydraulics
- Quick coupler (QC) (Coupler buckets)
- Auxiliary Hose/quick disconnect kit (included with factory-installed QC on U80B, U80C, B95TC, B95BTC, B95CTC)



ACCESSORIES

Width	Bolt-On edge	Rezloh Bolt-on edge
82" HD	86577173	HCE86577173
90" HD	84300700	—



COUPLER, FFC QUICK ATTACH

TRACTOR LOADERS/BACKHOE LOADERS

BASE UNITS

	PART NUMBER	WEIGHT LB
COUPLER, MANUAL (LV/U Series Utility Tractors)	87355589	265
COUPLER, MANUAL (LB/B/BB/BC Series Loader-Backhoes, except TC and 115)	85819301	360
COUPLER, HYDRAULIC (LB/B/BB/BC Series Loader-Backhoes, except TC and 115)	85819323	400
COUPLER, MANUAL (LB/B/BB/BC Series Loader-Backhoes, TC and 115 only)	84211231	265
COUPLER, HYDRAULIC (B95BTC/B95CTC Loader-Backhoes only)	84176115	333

ADDITIONAL EQUIPMENT (Order as needed)

Auxiliary hydraulics quick disconnect/hose kit (LV/U Series Utility Tractors) (Req'd if using hyd. operated attachments.)	86982428	15
Auxiliary hydraulics quick disconnect/hose kit (LB/B/BB/BC Series Loader-Backhoes, except TC and 115) (Req'd if using hyd. operated attachments.)	85819302	10
Auxiliary hydraulics quick disconnect/hose kit (LB/B/BB/BC Series Loader-Backhoes, TC and 115 only) (Req'd if using hyd. operated attachments.)	84211232	20
J-HOOK KIT – to adapt special attachments to QC	84143724	300

MODEL COMPATIBILITY	LV80/LV80.B	U80/U80B U80C	LB75-LB110 LB75.B-LB110.B	B95-B110 B90B-B110B B95C-B110C	B95TC/B95BTC B95CTC	LB115/LB115.B B115/B115B
COUPLER, MAN - 87355589	•	•				
COUPLER, MAN. - 85819301			•	•		
COUPLER, HYD. - 85819323			•	•		
COUPLER, MAN. - 84211231					•	•
COUPLER, HYD. - 84176115					•	

FEATURES

Available in Manual or Hydraulic versions

- Mounts for auxiliary hydraulic quick disconnect installation

Manual coupler:

- Single lever operation
- Manual attachment release
- Auto attachment engagement

Hydraulic coupler:

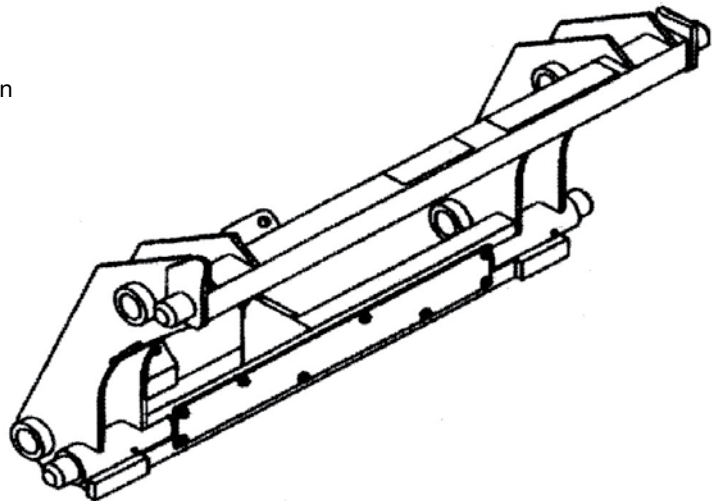
- Engage/release attachment from the operator's seat

APPLICATIONS

- For buckets, forks, brooms, augers, snow blades, etc.

REQUIREMENTS FOR OPERATION

- Attachments with FFC Quick Coupler (QC) mount
- Hydraulic attachments require quick disconnect/hose kit and aux. hydraulics. (See wholegood Price List for factory-installed options)





SCRAP GRAPPLE BUCKET

TRACTOR LOADERS/BACKHOE LOADERS

	PART NUMBER	WEIGHT LB
83" SCRAP GRAPPLE BUCKET	85819330	1465

MODEL COMPATIBILITY	LV80/LV80.B	U80/U80B/U80C	LB75-LB110/LB75.B-LB110.B	B95-B110/B90B-B110B/B95C-B110C	B95TC/B95BTC/B95CTC	LB115/LB115.B/B115/B115B	REQ'D EQUIPMENT		
							AUX. HYD.	QUICK COUPLER	HOSE/ QD KIT
83" SCRAP GRAPPLE BUCKET	•	•	•	•	•	•	R	R	R

FEATURES

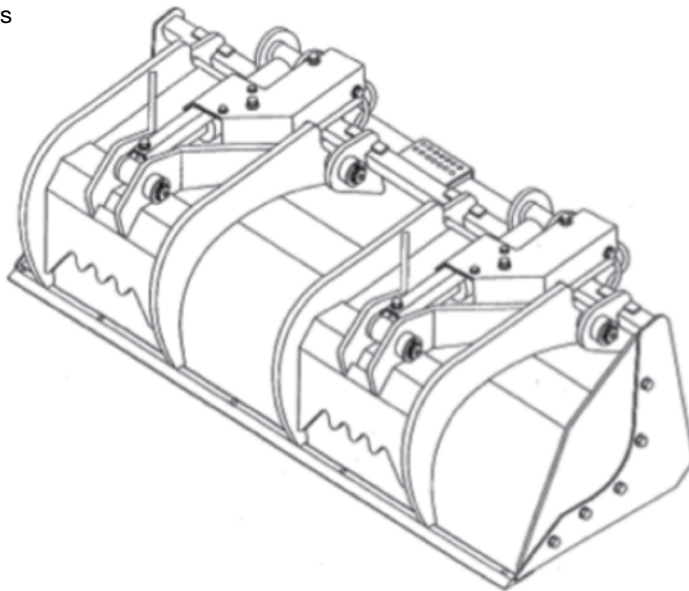
- Hoses and quick disconnects included
- 3/8" plate webbing – full protection to the cylinders
- 46.3" opening for handling of bulky materials
- Grapples operate independently to accommodate uneven loads
- Bucket's two cylinders are cushioned to reduce stress on the moving parts
- Pivot pins are larger in diameter and cover the width of each grapple, reducing side load

APPLICATIONS

- Moves metal, concrete, paper, cardboard and other bulky material

REQUIREMENTS FOR OPERATION

- Auxiliary hydraulics
- Quick coupler (QC) (Coupler buckets)
- Auxiliary Hose/quick disconnect kit (included with factory-installed QC on U80B, U80C, B95TC, B95BTC, B95CTC)



ACCESSORIES

Width	Bolt-On edge
83"	142300A1



HYDRAULIC COMPACTOR

TRACTOR LOADERS/BACKHOE LOADERS

Base unit includes compactor unit, hoses and quick disconnects.

	PART NUMBER
SC-60T HYDRAULIC COMPACTOR	47808595

ADDITIONAL COMPONENTS (Pin/bushing/insert kit required for complete unit)

Dipper Quick Disconnect kit	47461171	5
Pin/bushing/insert kit for NH	47451105	45

MODEL COMPATIBILITY	LB75-LB110 LB75.B-LB110.B	B95-B110 B90B-B110B B95C-B110C	B95TC B95BTC B95CTC	B95LR B95BLR B95CLR	LB115/LB115.B B115/B115B	REQ'D EQUIPMENT		
						UNI OR BI-DIR AUX. HYD.	PIN/BUSHING KIT	DIPPER QD KIT
SC-60T HYDRAULIC COMPACTOR	•	•	•	•	•	R	R	R

FEATURES

- Direct-drive, heavy-duty gear motor
- Rubber shock mounts
- Box section base plate construction
- Angled shock mount suspension
- Thick formed base plate
- Flow control to prevent over speeding
- Virtually zero-maintenance oil bathed bearings
- Readily adaptable to other loader/backhoe brands
- 2 year limited warranty

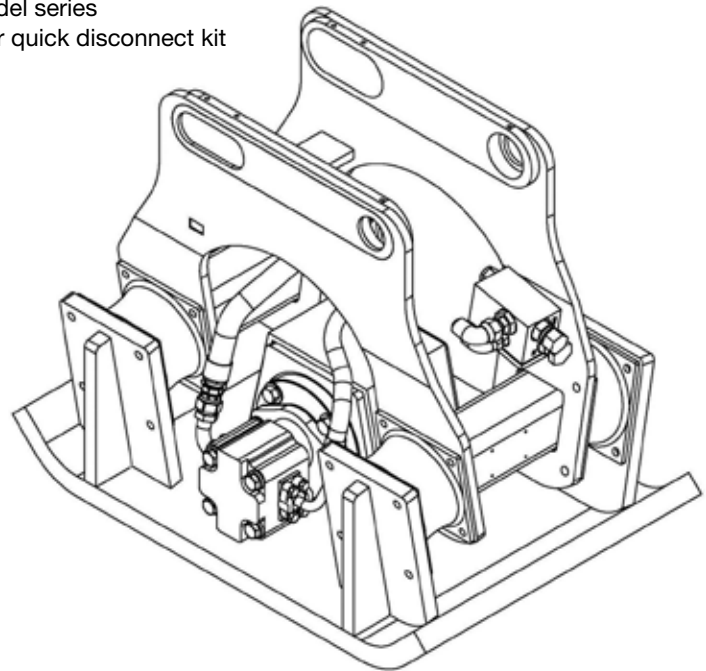
APPLICATIONS

- Utilities, construction, road maintenance
- Ideal for slope compaction

REQUIREMENTS FOR OPERATION

- Uni or bidirectional auxiliary hydraulics
- Pin/bushing/insert kit specific to model series
- Dipper quick disconnect kit

SPECIFICATIONS	
	SC-60T
Impulse force (lb)	6400
Impulse force (kg)	2900
Cycles per min.	2100
Operating wt. (lbs)	875
Operating wt. (kg)	397
Base plate size (in)	24 x 26
Base plate size (mm)	610 x 660
Input flow (gpm)	12-25
Input flow (l/m)	45-95
Operating Pressure (psi)	1700-2100
Operating Pressure (bar)	117-145





HYDRAULIC HAMMER

TRACTOR LOADERS/BACKHOE LOADERS

Base unit includes hammer body, hoses, quick disconnects, side plates andmoil point.

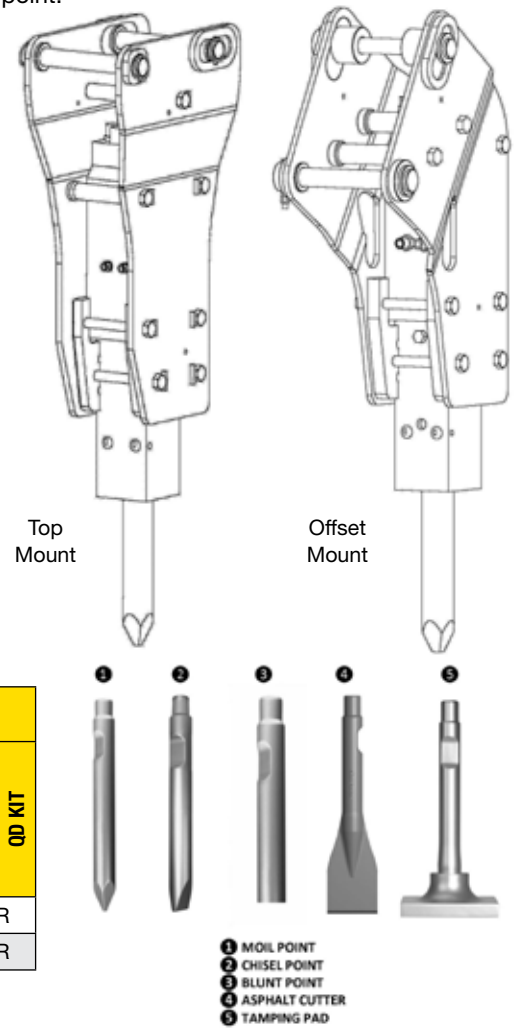
	PART NUMBER	WEIGHT LB
HH-5M HYDRAULIC HAMMER with top mount	47451095	796
HH-5M HYDRAULIC HAMMER with offset mount	47451096	792
HH-6M HYDRAULIC HAMMER with top mount	47451097	875
HH-6M HYDRAULIC HAMMER with offset mount	47451098	870

ADDITIONAL COMPONENTS (Pin/bushing kit, hose kit and dipper quick disconnect kit required for complete unit)

Dipper Quick Disconnect kit	47461171	5
Pin/bushing/insert kit	47451105	45

ADDITIONAL COMPONENTS for HH-5M, HH-6M (Order as needed)

Moil Point (1 included with base hammer)	47451037	48
Chisel Point	47451039	53
Blunt Point	47451040	51
Asphalt Cutter (6" wide)	47451041	71
Tamping pad (12" X 12")	47451042	130
Skid-Steer mounting bracket for HH-5M w/ top mount	47450903	375
Auto Lube Kit - fits HH-5M , HH-6M	47766709	9



MODEL COMPATIBILITY	LB75-LB110/ LB75-B-LB110.B	B95-B110/ B90B-B110B/ B95C-B110C	B95TC/B95BLR/ B95CLR	B95LR/B95BTC/ B95CTC	LB115/LB115.B/ B115/B115B	REQ'D EQUIPMENT		
						UNI- OR BI-DIR. AUX. HYD.	PIN/BUSHING KIT	DIPPER QD KIT
HH-5M HYDRAULIC HAMMER	•	•	•	•	•	R	R	R
HH-6M HYDRAULIC HAMMER	•	•	•	•	•	R	R	R

FEATURES

- Only 2 moving parts (piston and control valve) means less maintenance
- Will not dry-fire
- Low pressure gas charge
- Low recoil
- Low hydraulic surge
- Dual tool retainer pins
- Hoses and quick disconnects included
- Moil Point included
- Gas recharge kit included
- Operation/Service Parts Manual
- 3 Year Warranty
- Optional offset mount for improved reach and transport position

APPLICATIONS

- Demolition, construction, road maintenance

REQUIREMENTS FOR OPERATION

- Uni- or bi-directional auxiliary hydraulics
- Pin/bushing kit
- Dipper quick disconnect kit

	SPECIFICATIONS	
	HH-5M	HH-6M
Impact class (ft-lb)	825	1000
Blows per min.	550-1000	600-1050
Operating wt. (lbs)	784 (T) 780 (O)	861(T) 856(O)
Operating wt. (kg)	356(T) 354(O)	390(T) 388(O)
Tool diam. (in)	3.0	3.0
Tool diam. (mm)	76	76
Input flow (gpm)	9.2-16	10.6-18.5
Input flow (l/m)	35-61	40-70



LIFT BOOM

TRACTOR LOADERS/BACKHOE LOADERS

	PART NUMBER	WEIGHT LB
LIFT BOOM	85819309	415

MODEL COMPATIBILITY	LV80/LV80.B	U80/U80B/U80C	LB75-LB110/LB75.B-LB110.B	B95-B110/B90B-B110B/B95C-B110C	B95TC/B95BTC/B95CTC	LB115/LB115.B/B115/B115B	REQ'D EQUIPMENT		
							AUX. HYD.	QUICK COUPLER	HOSE/QD KIT
LIFT BOOM	•	•	•	•	•	•	R		

FEATURES

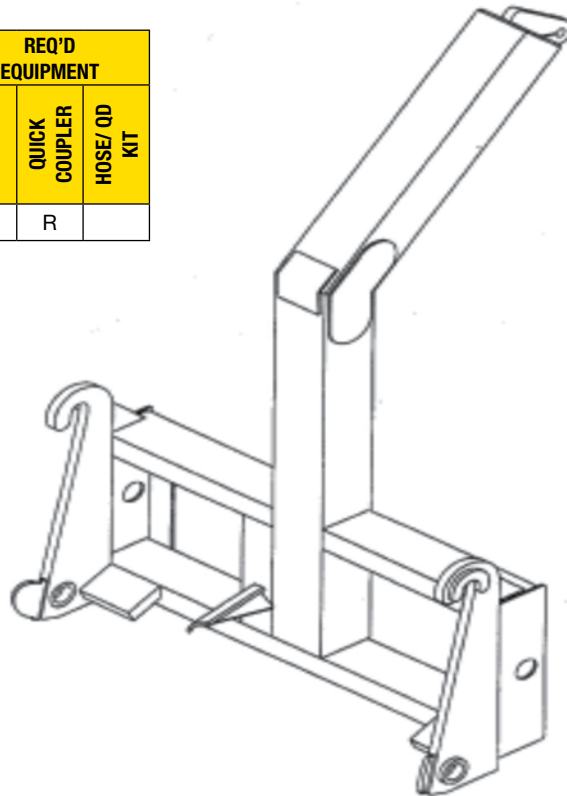
- Maximum lift capacity 6,000 lbs. at full extension

APPLICATIONS

- Load and unload attachments
- Move concrete forms without a crane
- Aids in transporting large trees

REQUIREMENTS FOR OPERATION

- Quick coupler (QC)
- Rear counterweight recommended for LV80, LV80.B, U80, U80B, U80C





PALLET FORK

TRACTOR LOADERS/BACKHOE LOADERS

	PART NUMBER	WEIGHT LB
PALLET FORKS	87334962	790

MODEL COMPATIBILITY	LV80/LV80.B	U80/U80B/U80C	LB75-LB110/LB75.B-LB110.B	B95-B110/B90B-B110B/B95C-B110C	B95TC/B95BTC/B95CTC	LB115/LB115.B/B115/B115B	REQ'D EQUIPMENT		
							AUX. HYD.	QUICK COUPLER	HOSE/ QD KIT
PALLET FORKS	•	•	•	•	•	•	R		

FEATURES

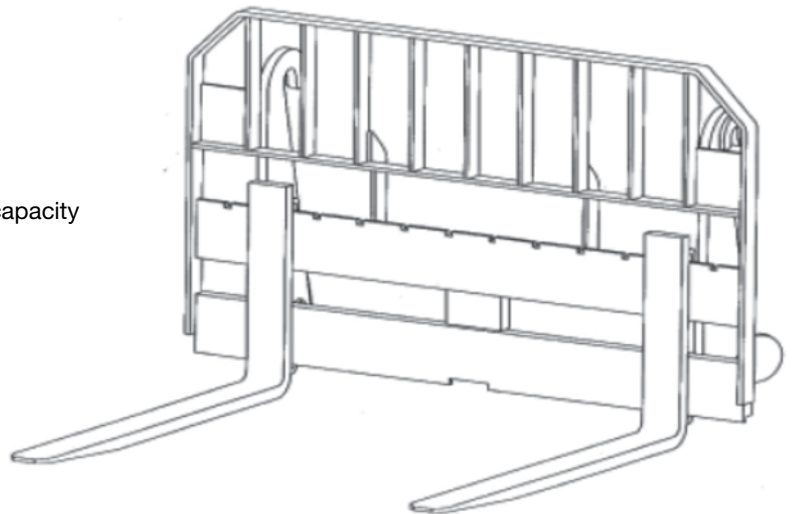
- Tines: 2" x 4" tapered, forged steel, 48-inches of useable tooth
- Adjustment: 8 1/2" wide to 58" overall depth
- Standard brick guard
- Lock in position pin clips
- Solid fork rails
- ITA Class III rating, 8,440 lb. per pair of tines max. capacity

APPLICATIONS

- Handling pallets and construction materials

REQUIREMENTS FOR OPERATION

- Quick coupler (QC)
- Rear counterweight recommended for LV80, LV80.B, U80, U80B, U80C





SNOW BLADE

TRACTOR LOADERS/BACKHOE LOADERS

Unit includes quick coupler mounting bracket, steel cutting edge, hydraulic angling, hoses and quick couplers.

	PART NUMBER	WEIGHT LB
108" SNOW BLADE	85819306	1239
120" SNOW BLADE	85819307	1307

OPTIONAL COMPONENTS (Order as needed)

Replacement Steel Edge Kit, 108"	47937201	192
Replacement Steel Edge Kit, 120"	47937202	207
Rubber Edge Kit, 108"	47937206	145
Rubber Edge Kit, 120"	47937207	155
Polyurethane Edge Kit, 108"	47937210	70
Polyurethane Edge Kit, 120"	47937212	75
Top Deflector Kit, 108"	47531767	66
Top Deflector Kit, 120"	47937216	68
Hyd. Cushion Valve Kit (protects against damage to angle cylinders. Included on 120" blade)	47941457	10

MODEL COMPATIBILITY	LV80/LV80.B	U80/U80B/U80C	LB75-LB110/LB75.B-LB110.B	B95-B110/B90B-B110B/B95C-B110C	B95TC/B95BTC/B95CTC	LB115/LB115.B/B115/B115B	REQ'D EQUIPMENT		
							AUX. HYD.	QUICK COUPLER	HOSE/ QD KIT
108" SNOW BLADE	•	•	•	•	•	•	R	R	R
120" SNOW BLADE			•	•	•	•	R	R	R

FEATURES

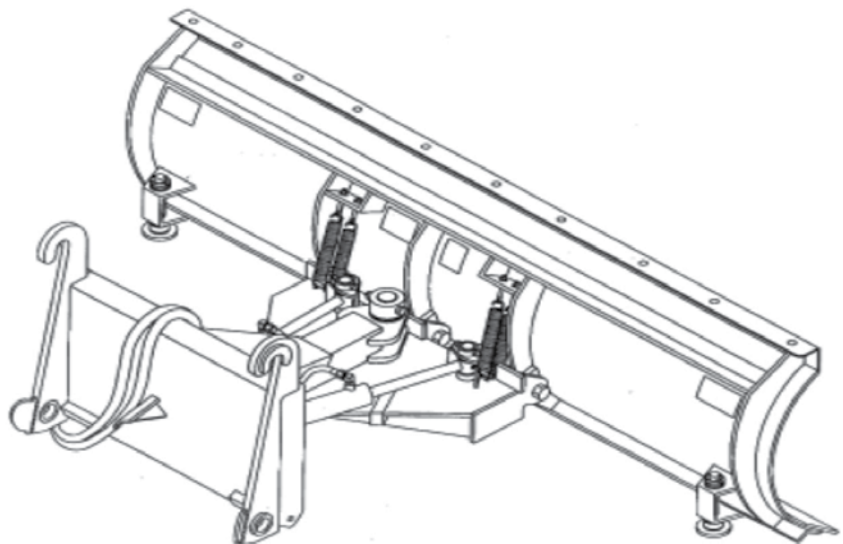
- Versatile grading and clean-up tool
- Blade and frame built to withstand heavy-duty seasonal use.
- 35-degree hydraulically adjustable angle
- Spring-loaded safety trip mechanism
- Floating blades that eliminate the stress on tractor and loader
- Optional rubber edge (1.5" X 10")
- Optional polyurethane edge (1" X 6")
- Optional 2-ply rubber snow deflector (.25 X 10")
- Optional hydraulic cushion valve (included on 120" blade)
- Replaceable edge, adjustable skid shoes

APPLICATIONS

- Snow removal

REQUIREMENTS FOR OPERATION

- Auxiliary loader hydraulics
- Quick coupler (QC)
- Auxiliary hose/quick disconnect kit (included with factory-installed QC on U80B, U80C, B95TC, B95BTC, B95CTC)





SNOW PUSH

TRACTOR LOADERS/BACKHOE LOADERS

	PART NUMBER	WEIGHT LB
SNOW PUSH - 96"	47692546	1340
SNOW PUSH - 120"	47692547	1510

OPTIONAL COMPONENTS – FACTORY INSTALLED (Order as needed)

PULL BACK KIT with rubber edge		
PULL BACK KIT - 96"	47645847	245
PULL BACK KIT - 120"	47645848	300

OPTIONAL COMPONENTS – FIELD INSTALLED (Order as needed)

PULL BACK KIT without rubber edge		
PULL BACK KIT - 96"	47625947	200
PULL BACK KIT - 120"	47625948	250
RUBBER EDGE KIT (Add-on or replacement for pullback kit)		
RUBBER EDGE KIT - 96"	47626034	125
RUBBER EDGE KIT - 120"	47626035	135
RUBBER EDGE KIT (Replacement edge for base push)		
RUBBER EDGE KIT - 96"	47693227	130
RUBBER EDGE KIT - 120"	47693228	150

MODEL COMPATIBILITY	LV80/LV80.B	U80/U80B U80C	LB75-LB110 LB75.B-LB110.B	B95-B110 B90B-B110B B95C-B110C	B95TC B95BTC B95CTC	LB115/LB115.B B115/B115B	REQ'D EQUIPMENT		
							AUX. HYD.	QUICK COUPLER	HOSE/ QD KIT
96" SNOW PUSH	•	•	•	•	•	•		R	
120" SNOW PUSH	•	•	•	•	•	•		R	

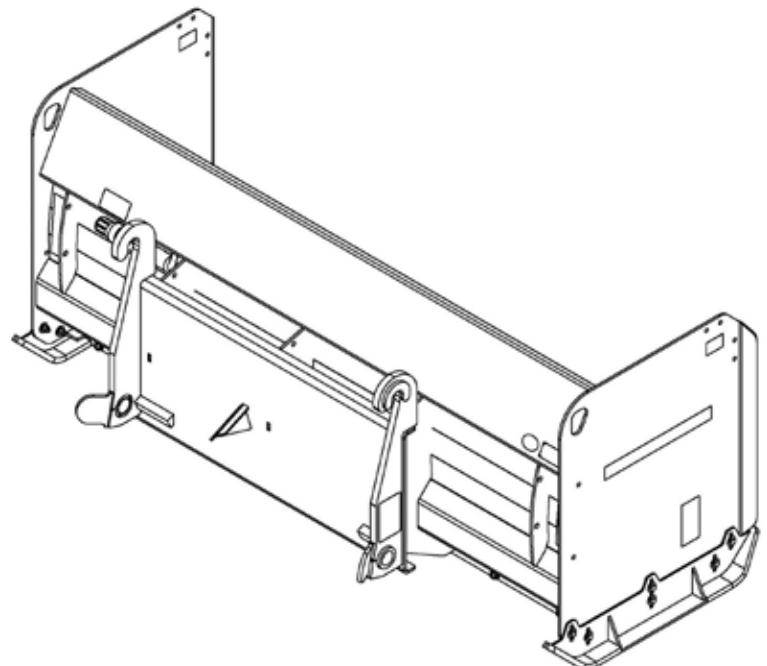
FEATURES

- Moves large volumes of snow efficiently
- Draws back snow from confined areas with optional pull back kit
- Reversible, 1-½" x 10" rubber edge on main blade
- Reversible, replaceable ¾" x 6" wear shoes of abrasion resistant AR400 steel
- 41.3" high x 41.5" deep

APPLICATIONS

- Snow, waste water, manure, feed lot and flood clean-up

SPECIFICATIONS		
Path Width (in)	96	120
Overall Width (in)	101.5	125.5
Operating Wt (lbs)	1220	1350
Height (in)	41.3	41.3
Depth (in)	41.5	41.5





SNOW PUSH – SECTIONAL

TRACTOR LOADERS/BACKHOE LOADERS

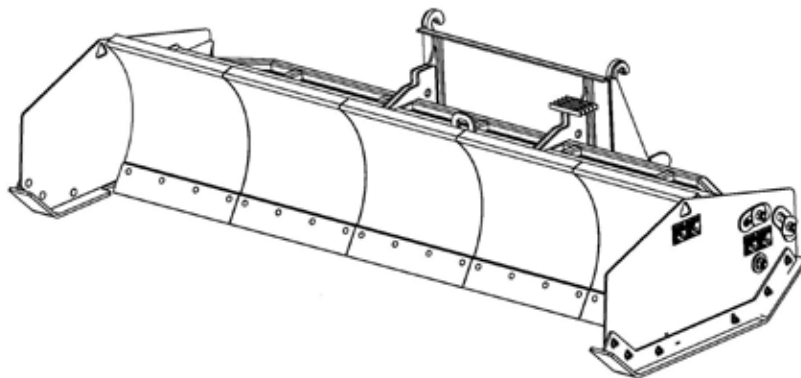
	PART NUMBER	WEIGHT LB
SECTIONAL SNOW PUSH – 13 FT.	48032851	2200

MODEL COMPATIBILITY	LV80 LV80.B	U80 U80B U80C	LB75-LB110 LB75.B-LB110.B	B95-B110 B90.B-B110.B B95.C-B110.C	B95 TC B95.B TC B95.C TC	LB115 LB115.B B115 B115.B	REQ'D EQUIPMENT		
							AUX. HYD.	QUICK COUPLER	HOSE/ QD KIT
SECTIONAL SNOW PUSH – 13 FT.			•	•	•	•		R	

FEATURES

- Individual moldboard sections and articulating side panels move up and down independently to contour to the pavement, parking curbs and other obstacles, scraping cleanly down to the bare pavement on the first pass
- Interchangeable quick connect coupler mounting system
- Patented Slip-Hitch allows the entire pusher to move up and down independently of the machine pushing it, automatically self-leveling and perfectly adjusting the pusher to the pavement every time
- Individual moldboard sections and articulating side panels skip over curbs and other obstacles up to 9" in height to prevent operator injury and equipment damage
- Every part of the sectional pusher is removable, allowing just the damaged part or component to be replaced
- Hardox 450 hardened steel shoes and cutting edges

SPECIFICATIONS	
Model	LD-13
Overall Width – in (m)	156 (4.0)
Operating Wt – lbs (kg)	2,050 (930)
Height – in (mm)	32 (813)
Depth – in (mm)	58 (1473)
Number of sections	5



APPLICATIONS

- Snow and ice removal
- Moving waste water, manure and feed lot

REQUIREMENTS FOR OPERATION

- FCC coupler



THUMB

TRACTOR LOADERS/BACKHOE LOADERS

	PART NUMBER	WEIGHT LB
STIFF ARM THUMB for standard dipper	87498436	265
STIFF ARM THUMB for HED	87498437	268
HYDRAULIC THUMB for standard dipper	87498438	265
HYDRAULIC THUMB for HED	87498439	303
MECHANICAL THUMB for standard dipper or HED	87498440	304

MODEL COMPATIBILITY	LB75-LB110/ LB75.B-LB110.B	B95-B110/ B95.B-B110.B	B95TC/B95BTC/ B95CTC	LB115/LB115.B/ B115/B115.B	REQ'D EQUIPMENT			
					AUX. HYD.	QUICK COUPLER	HOSE/ QD KIT	BI-DIR DIPPER A UX. HYD.
STIFF ARM THUMB for STD dipper	•	•	•	•				
STIFF ARM THUMB for HED	•	•	•	•				
HYDRAULIC THUMB for STD dipper	•	•	•	•				R
HYDRAULIC THUMB for HED	•	•	•	•				R
MECHANICAL THUMB for STD dipper or HED	•	•	•	•				

Stiff Arm Thumb

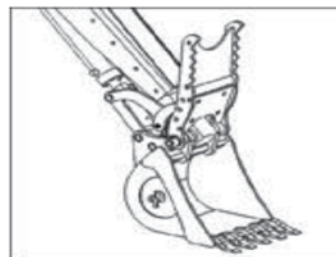
- Operating and storage position
- Weld-on bracket for standard dipper and HED

Hydraulic Thumb

- Main pin pivot for standard dipper – Weld-on pivot for HED
- Requires HED valve and plumbing on standard dipper units
- Requires HED diverter valve and plumbing on HED units (only effective on HED when dipper is retracted)

Mechanical Thumb

- Thumb actuates with bucket motion – no hydraulics required
- 3 operating positions for optimum action
- Fits standard dipper and HED models





TREE SHOVEL

TRACTOR LOADERS/BACKHOE LOADERS

	PART NUMBER	WEIGHT LB
48" TREE SHOVEL	87326408	425

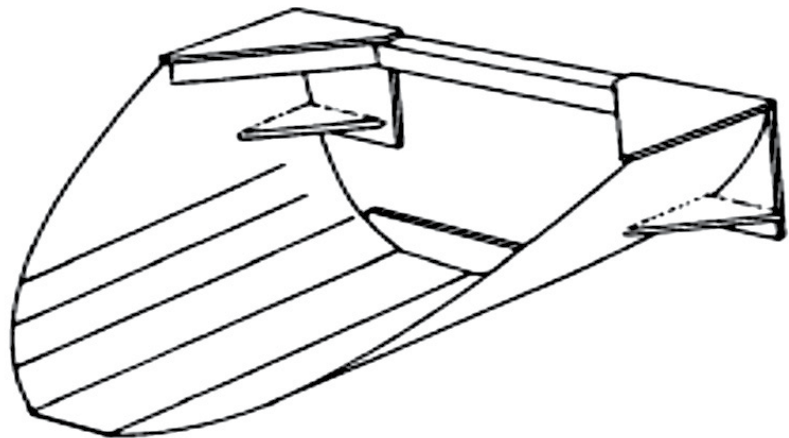
MODEL COMPATIBILITY	LV80/LV80.B	U80/U80B/U80C	LB75-LB110/LB75.B-LB110.B	B95-B110/B90B-B110B/B95C-B110C	B95TC/B95BTC/B95CTC	LB115/LB115.B/B115/B115B	REQ'D EQUIPMENT		
							AUX. HYD.	QUICK COUPLER	HOSE/QD KIT
48" TREE SHOVEL	•	•	•	•	•	•	R		

APPLICATIONS

- Dig holes for incoming trees
- Transplant trees and shrubbery
- Transport/load prepackaged trees

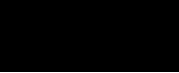
REQUIREMENTS FOR OPERATION

- Quick coupler (QC)



COMPACT WHEEL LOADERS







INDEX

COMPACT WHEEL LOADERS

Adapter Plate – Horizontal Pin Coupler	CWL-2
Auger – SSL Coupler	CWL-3-5
Bale Handler – SSL Coupler	CWL-6
Bale Spear – SSL Coupler	CWL-7
Boom, Truss – SSL Coupler	CWL-8
Brooms, Angle – SSL Coupler	CWL-9
Brooms, Angle – Horizontal Pin Coupler	CWL-10
Bucket, General Purpose & Light Material – SSL Coupler	CWL-11
Bucket, General Purpose & Light Material – Horizontal Pin Coupler	CWL-12
Bucket, 4x1 – SSL Coupler	CWL-13
Bucket, 4x1 – Horizontal Pin Coupler	CWL-14
Concrete Bucket – SSL Coupler	CWL-15
Concrete Claw – SSL Coupler	CWL-16
Grapple, Brush – SSL Coupler	CWL-17
Grapple, Brush – Horizontal Pin Coupler	CWL-18
Grapple, Log – SSL Coupler	CWL-19
Grapple, Scrap – SSL Coupler	CWL-20
Grapple, Scrap – Horizontal Pin Coupler	CWL-21
Lift Boom – SSL Coupler	CWL-22
Load Monitor	CWL-23
Manure Fork – SSL Coupler	CWL-24
Pallet Fork – SSL Coupler	CWL-25
Pallet Fork – Horizontal Pin Coupler	CWL-26
Rock Bucket – SSL Coupler	CWL-27
Root Rake – SSL Coupler	CWL-28
Silage Defacer – SSL Coupler	CWL-29
Snow Blade – SSL Coupler	CWL-30
Snow Bucket – SSL Coupler	CWL-31
Snow Push – SSL Coupler	CWL-32
Snow Push – Sectional – SSL Coupler	CWL-33
Tree Spade – SSL Coupler	CWL-34



ADAPTER PLATE

COMPACT WHEEL LOADERS

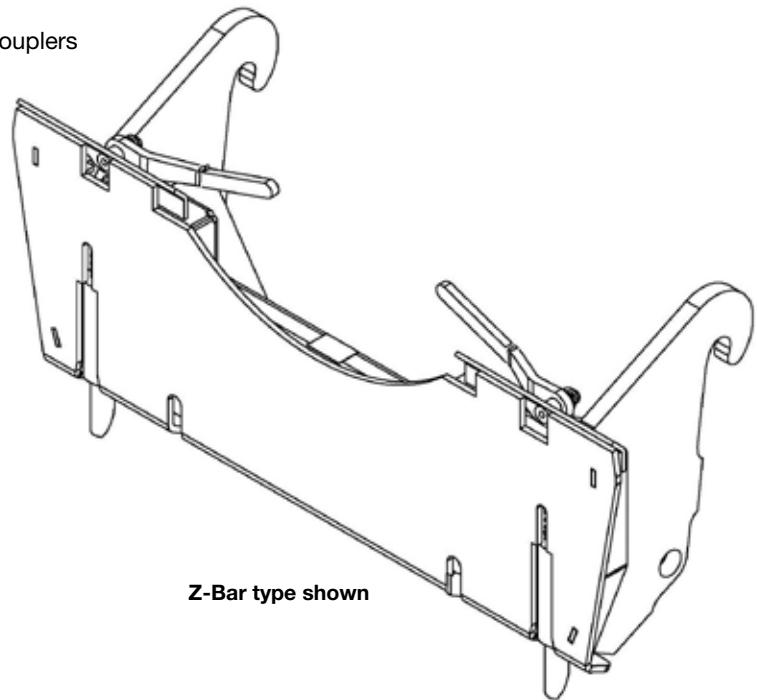
HORIZONTAL PIN COUPLER

NOT TO BE USED FOR PRIMARY EXCAVATION ATTACHMENTS OR PALLET FORKS.	PART NUMBER	WEIGHT LB
ADAPTER, TC COUPLER TO SSL	47738546	345
ADAPTER, Z-BAR COUPLER TO SSL	47738547	275

MODEL COMPATIBILITY	W50C	W80C	REQUIRED EQUIPMENT			
			AUX. HYD.	SSL COUPLER	Z-BAR HORIZ PIN COUPLER	TC HORIZ PIN COUPLER
ADAPTER - 47738546	•					R
ADAPTER - 47738547	•	•			R	

FEATURES

- To adapt SSL coupler attachments to horizontal pin couplers



Z-Bar type shown



AUGER

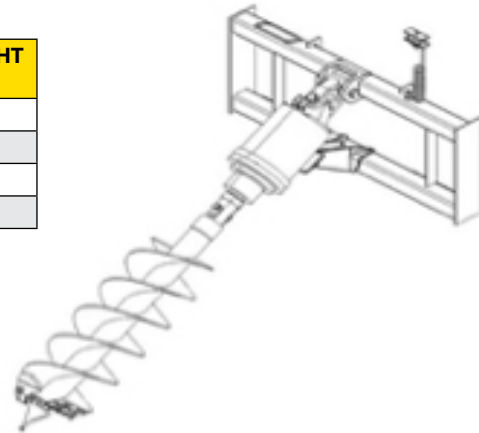
COMPACT WHEEL LOADERS

SSL COUPLER

Drive unit includes drive unit, mounting plate, hoses and quick couplers.

	PART NUMBER	WEIGHT LB
* X1475R256 Drive Unit, 2-9/16" round output shaft	86977896	407
* X1475H200 Drive Unit, 2" hex output shaft	86977897	407
* X1975R256 Drive Unit, 2-9/16" round output shaft	86977899	409
* X1975H200 Drive Unit, 2" hex output shaft	86977900	409

* Skid steer compatible – see skid steer section for applicable machine models.



AUGER OPTIONS

HDF STYLE AUGERS	PART NUMBER	WEIGHT LB
2-9/16" Round Coupler		
6" X 4' Auger	9863606	40
9" X 4' Auger	9863607	86
12" X 4' Auger	9863608	115
15" X 4' Auger	9863609	136
18" X 4' Auger	9863610	176
24" X 4' Auger	9863611	278
30" X 4' Auger	9863612	325
36" X 4' Auger	9863613	443

HDF STYLE AUGERS	PART NUMBER	WEIGHT LB
2" Hex Coupler		
6" X 4' Auger	9863626	40
9" X 4' Auger	9863627	86
12" X 4' Auger	9863628	115
15" X 4' Auger	9863629	136
18" X 4' Auger	9863630	176
24" X 4' Auger	9863631	278
30" X 4' Auger	9863632	325
36" X 4' Auger	9863633	443



HDF STYLE AUGERS

For light to moderate ground conditions

- Fabricated boring head
- Hardened bolt-on teeth
- Hardened "fishtail" point
- Heavy-duty double flighting
- 4' overall length

Augers (Continued next page)



AUGER

COMPACT WHEEL LOADERS

SSL COUPLER

HDC STYLE AUGERS	PART NUMBER	WEIGHT LB
2-9/16" Round Coupler		
6" X 4' Auger	9863614	45
9" X 4' Auger	9863615	98
12" X 4' Auger	9863616	128
15" X 4' Auger	9863617	139
18" X 4' Auger	9863618	204
24" X 4' Auger	9863619	272
30" X 4' Auger	9863620	312
36" X 4' Auger	9863621	430



HDC STYLE AUGERS

For difficult ground conditions, compacted soils, heavy clay, asphalt, frozen ground fracturable rock

- HD cast boring head
- Hardened, drive-in teeth
- Hardened "fishtail" point
- Heavy-duty double flighting
- 4' overall length

HDC STYLE AUGERS	PART NUMBER	WEIGHT LB
2" Hex Coupler		
6" X 4' Auger	9863634	45
9" X 4' Auger	9863635	98
12" X 4' Auger	9863636	128
15" X 4' Auger	9863637	139
18" X 4' Auger	9863638	204
24" X 4' Auger	9863639	272
30" X 4' Auger	9863640	312
36" X 4' Auger	9863641	430

HTF STYLE AUGERS	PART NUMBER	WEIGHT LB
2-9/16" Round Coupler		
18" X 4' Auger	9863622	144
24" X 4' Auger	9863623	198
30" X 4' Auger	9863624	264
36" X 4' Auger	9863625	349



HTF STYLE AUGERS

For tree and shrub planting

- Fabricated boring head
- Two-diameter design
- Hardened, bolt-on teeth
- Hardened "fishtail" point
- HD double flighting
- 4' overall length

HTF STYLE AUGERS	PART NUMBER	WEIGHT LB
2" Hex Coupler		
18" X 4' Auger	9863642	144
24" X 4' Auger	9863643	198
30" X 4' Auger	9863644	264
36" X 4' Auger	9863645	349

SRR ROCK AUGERS	PART NUMBER	WEIGHT LB
2" Hex Coupler		
6" X 4' Rock Auger	47904378	82
9" X 4' Rock Auger	47904381	110
12" X 4' Rock Auger	47904382	137
16" X 4' Rock Auger	47904383	171
18" X 4' Rock Auger	47904384	192
20" X 4' Rock Auger	47904385	239
24" X 4' Rock Auger	47904386	285
30" X 4' Rock Auger	47904387	315
36" X 4' Rock Auger	47904388	414



SRR ROCK AUGERS

For solid, fracturable rock, frozen ground and compacted soils

- Bullet style teeth
- Fabricated boring head
- HD single flighting
- 2" hexagon collar only
- .75" thick bottom flight and a hardface outer edge
- 4' overall length

Augers (Continued next page)



AUGER

COMPACT WHEEL LOADERS

SSL COUPLER

AUGER EXTENSIONS AND ADAPTERS	PART NUMBER	WEIGHT LB
2" hex female to 2-9/16" round male	9863646	16
2-9/16" round female to 2" hex male	9863647	15
2" hex female to 2" round male	87042596	10
2-9/16" round female to 2" round male	87042597	12
12" extension, 2-9/16" round	87042598	21
24" extension, 2-9/16" round	87042600	39
12" extension, 2" hex	87042601	20
24" extension, 2" hex	87042602	32
48" extension, 2" hex	84514060	57

MODEL COMPATIBILITY	W50TC W50BTC	W80TC W80BTC	W50C	W80C	REQUIRED EQUIPMENT			
					AUX. HYD.	SSL COUPLER	Z-BAR HORIZ PIN COUPLER	TC HORIZ PIN COUPLER
X1475 DRIVE UNIT	•	•	•	•	R	R		
X1975 DRIVE UNIT		•		•	R	R		

SPECIFICATIONS		
MODEL	X1475	X1975
Max. Auger Diameter (in.)	24	36
Flow Required (gpm)	10-25	15-30
Torque @ 2500 psi	2003	2306
Output Speed (rpm)	61 @ 16 gpm	66 @ 20 gpm

FEATURES

- 5 Year Warranty on X-Series model gearboxes
- All base units include mounting bracket with drive head, hoses, and flat face hydraulic quick disconnects
- X1475 and X1975 available with either 2-9/16" round or 2" hex output shaft
- Several adapters and extensions available
- Auger bit is not included with base unit, order separately



BALE HANDLER

COMPACT WHEEL LOADERS

SSL COUPLER

Unit includes mounting bracket, cylinder, hoses and quick couplers.

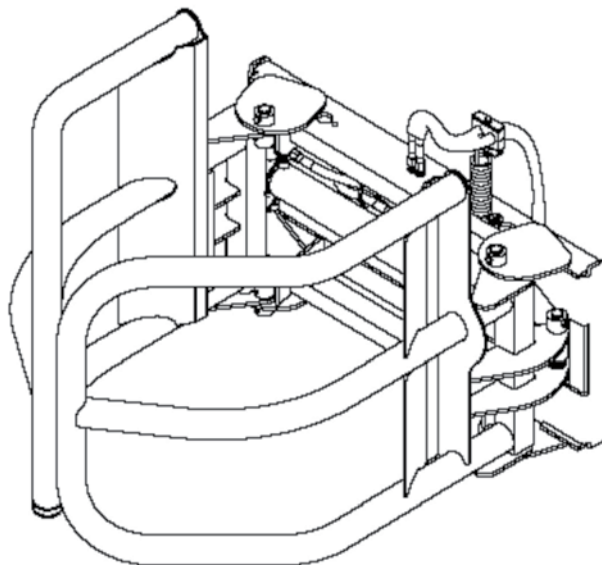
STANDARD AUXILIARY HYDRAULICS REQUIRED	PART NUMBER	WEIGHT LB
* BALE HANDLER	87381817	585

*Skid steer compatible – see skid steer section for applicable machine models.

MODEL COMPATIBILITY	W50TC W50BTC	W80TC W80BTC	W50C	W80C	REQUIRED EQUIPMENT			
					AUX. HYD.	SSL COUPLER	Z-BAR HORIZ PIN COUPLER	TC HORIZ PIN COUPLER
BALE HANDLER	•	•	•	•	R	R		

FEATURES

- Handles bales from 32" to 72"
- 3" bore, load-checked cylinder maintains positive non-slip grip
- Hugger arms fabricated with formed round tubing that protects bale wrap
- Handles large round bales with twine, net or plastic wrap





BALE SPEAR

COMPACT WHEEL LOADERS

SSL COUPLER

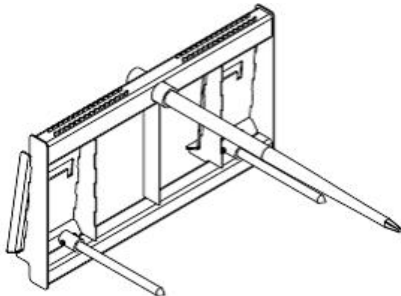
	PART NUMBER	WEIGHT LB
*BALE SPEAR, HD Single	87473623	195
*BALE SPEAR, HD Dual	87473624	235
*BALE SPEAR, 3 X 27"	87473625	210
*BALE SPEAR, 3 X 44"	87473626	230

*Skid steer compatible – see skid steer section for applicable machine models.

MODEL COMPATIBILITY	W50TC W50BTC	W80TC W80BTC	W50C	W80C	REQUIRED EQUIPMENT			
					AUX. HYD.	SSL COUPLER	Z-BAR HORIZ PIN COUPLER	TC HORIZ PIN COUPLER
BALE SPEAR, HD Single	•	•	•	•		R		
BALE SPEAR, HD Dual	•	•	•	•		R		
BALE SPEAR, 3 X 27"	•	•	•	•		R		
BALE SPEAR, 3 X 44"	•	•	•	•		R		

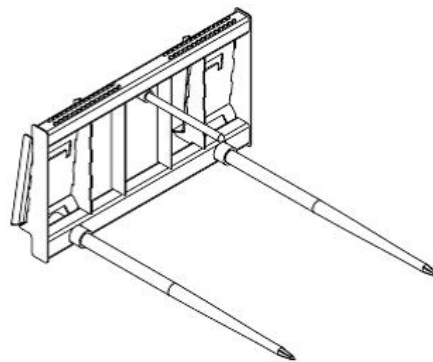
Single Tine Bale Spear

- For bales up to 3,000 lbs. @ 24" load center
- Main spear – single tapered, forged, 2-1/8" dia x 49"
- Stabilizer spikes – dual 1-1/4" dia x 19"



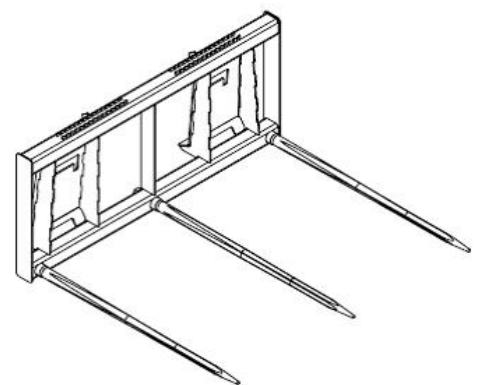
Dual Tine Bale Spear

- For bales up to 4,000 lbs. @ 24" load center
- Main spear – single tapered, forged, 2-1/8" dia x 49"
- Stabilizer spikes – dual 1-1/4" dia x 19"



Three Tine Bale Spear

- For bales up to 4,000 lbs. @ 24" load center
- Main spears – 3 tapered, forged, 1-3/4" dia
- Available with 27" or 44" length spears





BOOM, TRUSS

COMPACT WHEEL LOADERS

SSL COUPLER

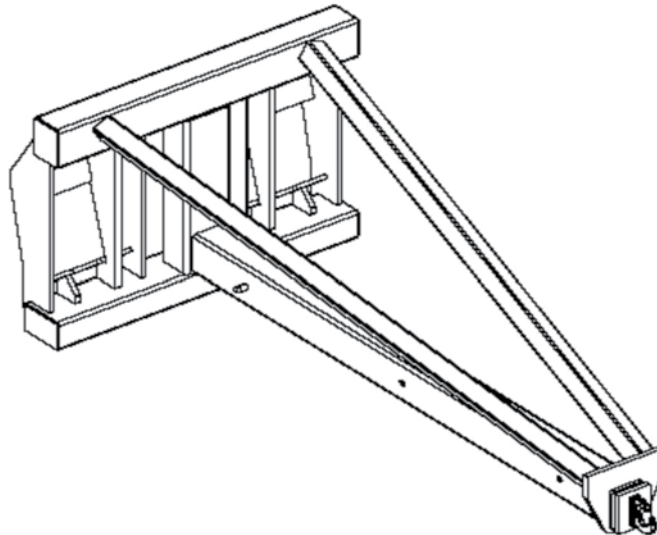
	PART NUMBER	WEIGHT LB
TRUSS BOOM - 3 position	87381834	1020

MODEL COMPATIBILITY	W50TC/ W50BTC	W80TC/ W80BTC	REQ'D EQUIP.
			AUX. HYD.
TRUSS BOOM - 3 position	•	•	

MODEL COMPATIBILITY	W50TC W50BTC	W80TC W80BTC	W50C	W80C	REQUIRED EQUIPMENT			
					AUX. HYD.	SSL COUPLER	Z-BAR HORIZ PIN COUPLER	TC HORIZ PIN COUPLER
TRUSS BOOM	•	•	•	•		R		

FEATURES

- For positioning trusses
- 3-position, extendable boom
- Extends to lengths of 7' 8", 10' 4" and 12' 11"
- Lift rating from 1,500 to 2,500 lbs.





BROOM, ANGLE

COMPACT WHEEL LOADERS

SSL COUPLER

Base unit includes mounting brackets, hoses, quick disconnects and parking stands.
 Must order manual or hydraulic angle kit for complete unit.

	PART NUMBER	WEIGHT LB
96" ANGLE BROOM with poly/wire combination brush	84215703	1655
108" ANGLE BROOM with poly/wire combination	84215704	1740

OPTIONAL EQUIPMENT (MUST ORDER ONE FOR COMPLETE UNIT)

Manual Angle Kit	84215707	6
Hydraulic Angle Kit w/universal control package	84215708	22
Hydraulic Angle Kit for base units with 14-pin front electric	47738600	46

REPLACEMENT BRUSH SETS

Poly/wire brush set for 96" broom	84376840	196
Poly/wire brush set for 108" broom	84376841	240

MODEL COMPATIBILITY	W50TC W50BTC	W80TC W80BTC	W50C	W80C	REQUIRED EQUIPMENT				
					AUX. HYD.	SSL COUPLER	Z-BAR HORIZ PIN COUPLER	TC HORIZ PIN COUPLER	FRONT ELECTRIC (WC-SERIES)
96" ANGLE BROOM	•		•		R	R			O
108" ANGLE BROOM	•	•	•	•	R	R			O

FEATURES

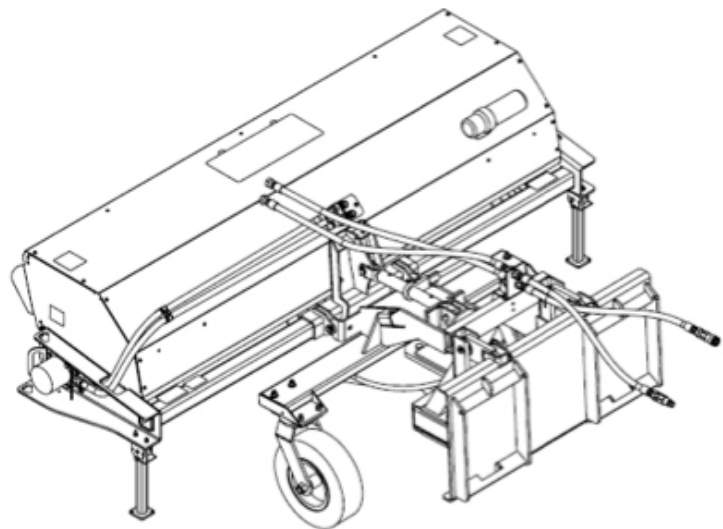
- Parking stands
- Angles 30° right or left
- 32" brush diameter
- Adjustable broom head
- Integral nozzle mounting for water application
- 50/50 Poly/wire brush core
- Bolt together hood for simple, less costly replacement, if damaged
- Quick-change brush without breaking hydraulic lines
- Dual hydraulic motors
- Caster wheels – Pneumatic 4.80-8 tires

APPLICATIONS

- Street cleaning & parking lot maintenance, road maintenance clean-up, bridge deck clean-up, jobsite clean-up
- Snow removal

REQUIREMENTS FOR OPERATION

- Auxiliary hydraulics
- SSL Coupler
- Front electric kit – optional on WC-Series





BROOM, ANGLE

COMPACT WHEEL LOADERS

HORIZONTAL PIN COUPLER

Base unit includes mounting brackets, hoses, quick disconnects and parking stands.
 Must order manual or hydraulic angle kit for complete unit.

STANDARD AUXILIARY HYDRAULICS REQUIRED	PART NUMBER	WEIGHT LB
96" ANGLE BROOM with poly/wire combination brush	47738591	1685
96" ANGLE BROOM with poly/wire combination brush	47738593	1715
108" ANGLE BROOM with poly/wire combination	47738594	1735
108" ANGLE BROOM with poly/wire combination	47738595	1765

OPTIONAL EQUIPMENT (MUST ORDER ONE FOR COMPLETE UNIT)

Manual Angle Kit	84215707	6
Hydraulic Angle Kit w/universal control package	84215708	22
Hydraulic Angle Kit for base units with 14-pin front electric	47738600	46

REPLACEMENT BRUSH SETS

Poly/wire brush set for 96" broom	84376840	196
Poly/wire brush set for 108" broom	84376841	240

MODEL COMPATIBILITY	W50C	W60C	REQUIRED EQUIPMENT				
			AUX. HYD.	SSL COUPLER	Z-BAR HORIZ PIN COUPLER	TC HORIZ PIN COUPLER	FRONT ELECTRIC (WC-SERIES)
96" ANGLE BROOM 47738591	•		R			R	O
96" ANGLE BROOM 47738593	•		R		R		O
108" ANGLE BROOM 47738594	•		R			R	O
108" ANGLE BROOM 47738595	•	•	R		R		O

FEATURES

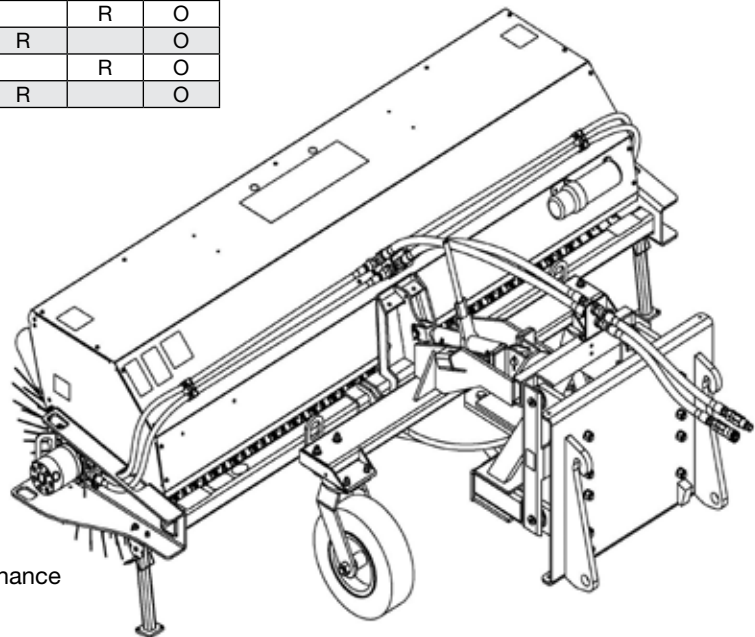
- Parking stands
- Angles 30° right or left
- 32" brush diameter
- Adjustable broom head
- Integral nozzle mounting for water application
- 50/50 Poly/wire brush core
- Bolt together hood for simple, less costly replacement, if damaged
- Quick-change brush without breaking hydraulic lines
- Dual hydraulic motors
- Caster wheels – Pneumatic 4.80-8 tires

APPLICATIONS

- Street cleaning & parking lot maintenance, road maintenance clean-up, bridge deck clean-up, jobsite clean-up
- Snow removal

REQUIREMENTS FOR OPERATION

- Auxiliary hydraulics
- Horizontal pin coupler
- Front electric kit – optional on WC-Series





BUCKET, GENERAL PURPOSE AND LIGHT MATERIAL

COMPACT WHEEL LOADERS

SSL COUPLER

	PART NUMBER	WEIGHT LB
GENERAL PURPOSE BUCKETS		
75" Bucket, GP, 1.0 yd ³	51426760	971
83" Bucket, GP, 1.1 yd ³	51426761	1024
83" Bucket, GP w/Teeth, 1.1 yd ³	51426763	1055
83" Bucket, GP, 1.25 yd ³	51426764	992
83" Bucket, GP w/Teeth, 1.25 yd ³	51426765	1023
83" Bucket, GP, 1.6 yd ³	51426766	1084
83" Bucket, GP w/Teeth, 1.6 yd ³	51426767	1115
LIGHT MATERIAL BUCKETS		
98" Bucket, LM/Snow, 1.5 yd ³	51426769	1080
98" Bucket, LM/Snow, 2.0 yd ³	51426770	1190

Buckets without teeth are drilled for bolt-on edge

MODEL COMPATIBILITY	W50TC W50BTC	W80TC W80BTC	W50C	W80C	REQUIRED EQUIPMENT			
					AUX. HYD.	SSL COUPLER	Z-BAR HORIZ PIN COUPLER	TC HORIZ PIN COUPLER
75" GP Bucket, 1.0 yd ³	•		•			R		
83" GP Bucket, 1.1 yd ³		•		•		R		
83" GP Bucket, 1.25 yd ³		•		•		R		
83" GP Bucket, 1.6 yd ³		•		•		R		
98" LM Bucket, 1.5 yd ³	•		•			R		
98" LM Bucket, 2.0 yd ³		•		•		R		

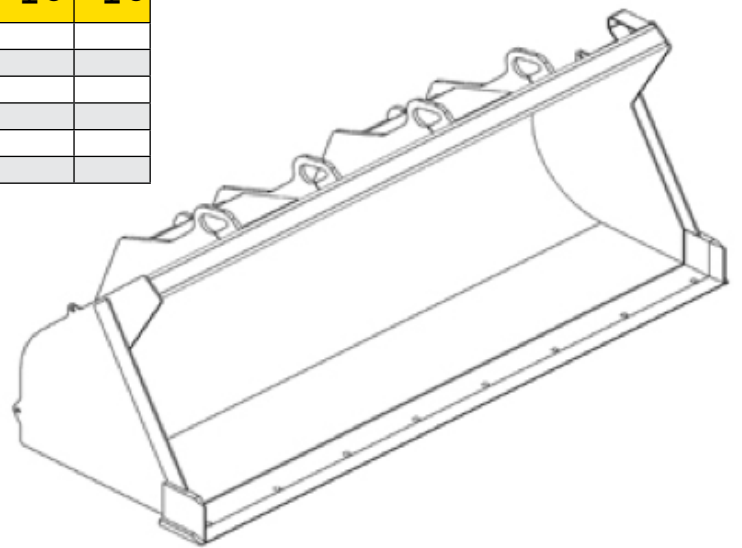
FEATURES

75" and 83" Buckets

- For general-purpose applications
- 1/4" reinforced wrappers and end plates
- 1/2" thick wear bars
- Wear-resistant steel tapered cutting edge, 3/4" x 6", drilled for bolt-on edge

98" Buckets

- For light material/snow applications
- 7 gauge reinforced wrappers and end plates
- 1/2" thick wear bars
- Wear-resistant steel tapered cutting edge, 3/4" x 6", drilled for bolt-on edge



ACCESSORIES		
Width	Bolt-on Edge	Bolt-on Rezloh™ edge
75"	84548584	—
83"	86577173	HCE86577173
98"	47945698	—

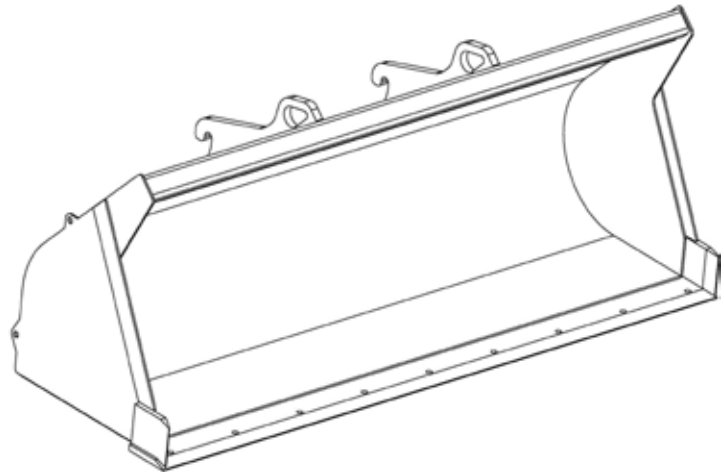


BUCKET, GENERAL PURPOSE AND LIGHT MATERIAL

COMPACT WHEEL LOADERS

HORIZONTAL PIN COUPLER

	PART NUMBER	WEIGHT LB
GENERAL PURPOSE BUCKETS		
75" Bucket, GP, 1.0 yd ³	47737899	920
75" Bucket, GP, 1.0 yd ³	47737900	930
83" Bucket, GP, 1.1 yd ³	47737903	970
83" Bucket, GP, 1.1 yd ³ w/Teeth	47737904	1035
83" Bucket, GP, 1.25 yd ³	47737905	985
83" Bucket, GP, 1.25 yd ³ w/Teeth	47737906	1045
83" Bucket, GP, 1.6 yd ³	47737907	960
83" Bucket, GP, 1.6 yd ³ w/Teeth	47737908	1020
LIGHT MATERIAL BUCKETS		
98" Bucket, LM/Snow, 1.5 yd ³	47737910	1000
98" Bucket, LM/Snow, 1.5 yd ³	47737911	1050
98" Bucket, LM/Snow, 2.0 yd ³	47737912	1155



Buckets without teeth are drilled for bolt-on edge

MODEL COMPATIBILITY	W50C	W80C	REQUIRED EQUIPMENT			
			AUX. HYD.	SSL COUPLER	Z-BAR HORIZ PIN COUPLER	TC HORIZ PIN COUPLER
75" GP Bucket, 1.0 yd ³ 47737899	•					R
75" GP Bucket, 1.0 yd ³ 47737900	•				R	
83" GP Bucket, 1.1 yd ³ 47737903/47737904		•			R	
83" GP Bucket, 1.25 yd ³ 47737905/47737906		•			R	
83" GP Bucket, 1.6 yd ³ 47737907/47737908		•			R	
98" LM Bucket, 1.5 yd ³ 47737910	•					R
98" LM Bucket, 1.5 yd ³ 47737911	•				R	
98" LM Bucket, 2.0 yd ³ 47737912		•			R	

ACCESSORIES		
Width	Bolt-on Edge	Bolt-on Rezloh™ edge
75"	84548584	—
83"	86577173	HCE86577173
98"	47945698	—

FEATURES

75" and 83" Buckets

- For general-purpose applications
- 1/4" reinforced wrappers and end plates
- 1/2" thick wear bars
- Wear-resistant steel tapered cutting edge, 3/4" x 6", drilled for bolt-on edge

98" Buckets

- For light material/snow applications
- 7 gauge reinforced wrappers and end plates
- 1/2" thick wear bars
- Wear-resistant steel tapered cutting edge, 3/4" x 6", drilled for bolt-on edge



BUCKET, 4X1

COMPACT WHEEL LOADERS

SSL COUPLER

Unit includes hoses and quick disconnects.

	PART NUMBER	WEIGHT LB
* Bucket, 4X1, 72" Construction Duty (.66yd ³ heaped)	87648158	930
* Bucket, 4X1, 78" Construction Duty (.71 yd ³ heaped)	87648159	965
* Bucket, 4X1, 84" Construction Duty (.77 yd ³ heaped)	87648160	1005
Bucket, 4X1, 82" Heavy Duty (.99 yd ³ heaped)	87381910	1100
Bucket, 4X1, 90" Heavy Duty (1.1 yd ³ heaped)	87381911	1275

* Skid steer compatible – see skid steer section for applicable machine models.

OPTIONS FOR CONSTRUCTION DUTY BUCKETS

Bolt-on spill guard for 72" 4X1 bucket	87648136	30
Bolt-on spill guard for 78" 4X1 bucket	87648165	33
Bolt-on spill guard for 84" 4X1 bucket	87648166	35

MODEL COMPATIBILITY	W50TC W50BTC	W80TC W80BTC	W50C	W80C	REQUIRED EQUIPMENT			
					AUX. HYD.	SSL COUPLER	Z-BAR HORIZ PIN COUPLER	TC HORIZ PIN COUPLER
4X1 BUCKET, 72" CONST. DUTY	•		•		R	R		
4X1 BUCKET, 78" CONST. DUTY	•		•		R	R		
4X1 BUCKET, 84" CONST. DUTY	•		•		R	R		
4X1 BUCKET, 82" HEAVY DUTY		•		•	R	R		
4X1 BUCKET, 90" HEAVY DUTY		•		•	R	R		

FEATURES

- Hoses and quick disconnects included
- Load holding check valve

Construction Buckets

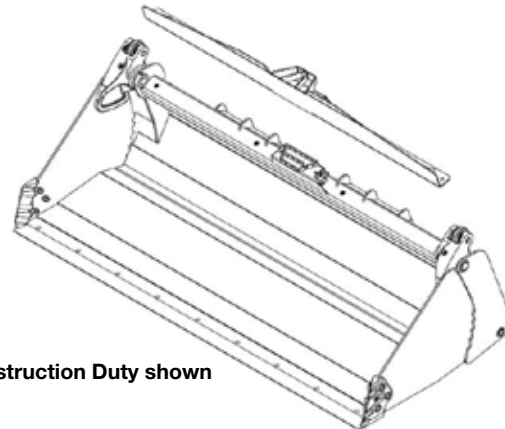
- 27-1/2" height, 26-5/8" floor length
- 34-3/4" clam opening
- Replaceable bolt-on side cutters
- Optional spill guards increase struck capacity approx. 26% and heaped capacity approx. 21%
- Compatible with toothbars and bolt-on edges

Heavy Duty Buckets

- 34-1/2" height, 24-3/4" floor length
- 41" clam opening

APPLICATIONS

- Functions as a loader bucket, clam, dozer, scraper and bottom dump bucket
- Material spreading – gravel, mulch, dirt, etc.



84" Construction Duty shown

ACCESSORIES				
Width	Bolt-on Edge	Bolt-on Rezloh™ edge	Toothbar for bucket w/o bolt-on edge	Toothbar for bucket with bolt-on edge
72"	86577169	HCE86577169	87299776	87299779
78"	86577171	HCE86577171	87299777	87299780
84"	86577173	HCE86577173	87299778	87299781
82" HD	86577173	HCE86577173	-	-
90" HD	84300700		-	-



BUCKET, 4X1

COMPACT WHEEL LOADERS

HORIZONTAL PIN COUPLER

Unit includes hoses and quick disconnects.

	PART NUMBER	WEIGHT LB
4X1 BUCKET, 78" HEAVY DUTY	47738570	1180
4X1 BUCKET, 78" HEAVY DUTY	47738571	1220
4X1 BUCKET, 82" HEAVY DUTY	47738572	1245

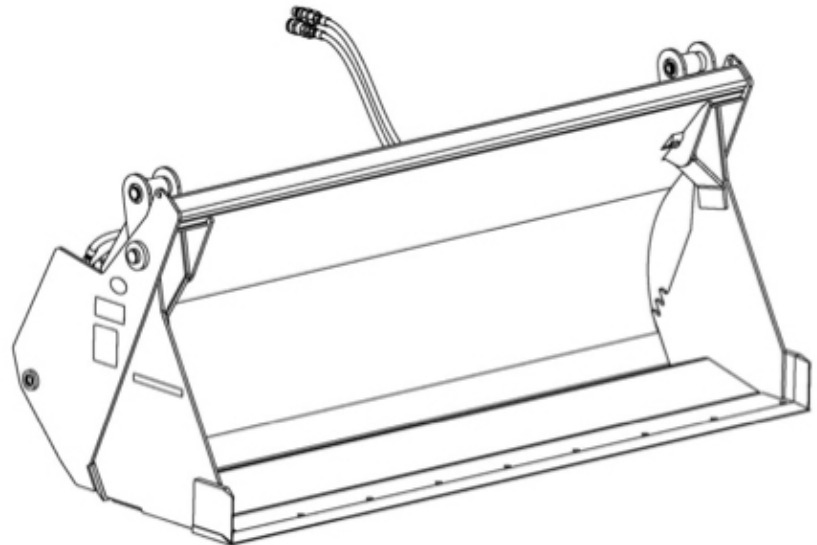
MODEL COMPATIBILITY	W50C	W80C	REQUIRED EQUIPMENT			
			AUX. HYD.	SSL COUPLER	Z-BAR HORIZ PIN COUPLER	TC HORIZ PIN COUPLER
4X1 BUCKET, 78" HEAVY DUTY	•		R			R
4X1 BUCKET, 78" HEAVY DUTY	•		R		R	
4X1 BUCKET, 82" HEAVY DUTY		•	R		R	

FEATURES

- Hoses and quick disconnects included
- Load holding check valve
- 34-1/2" height, 24-3/4" floor length
- 41" clam opening

APPLICATIONS

- Functions as a loader bucket, clam, dozer, scraper and bottom dump bucket
- Material spreading – gravel, mulch, dirt, etc.



ACCESSORIES		
Width	Bolt-on Edge	Bolt-on Rezloh™ edge
78"	86577171	HCE86577171
82"	86577173	HCE86577173



CONCRETE BUCKET

COMPACT WHEEL LOADERS

SSL COUPLER

Unit includes bucket, mounting bracket, hoses, quick couplers and chute extensions.

	PART NUMBER	WEIGHT LB
* C50 CONCRETE BUCKET (1/2 yd cap.)	87027534	492
* C75 CONCRETE BUCKET (3/4 yd cap.)	87027535	554

*Skid steer compatible – see skid steer section for applicable machine models.

OPTIONAL COMPONENTS – (Order as needed)

90° CHUTE KIT – Allows chute to be positioned for left or right discharge.	48022262	76
--	----------	----

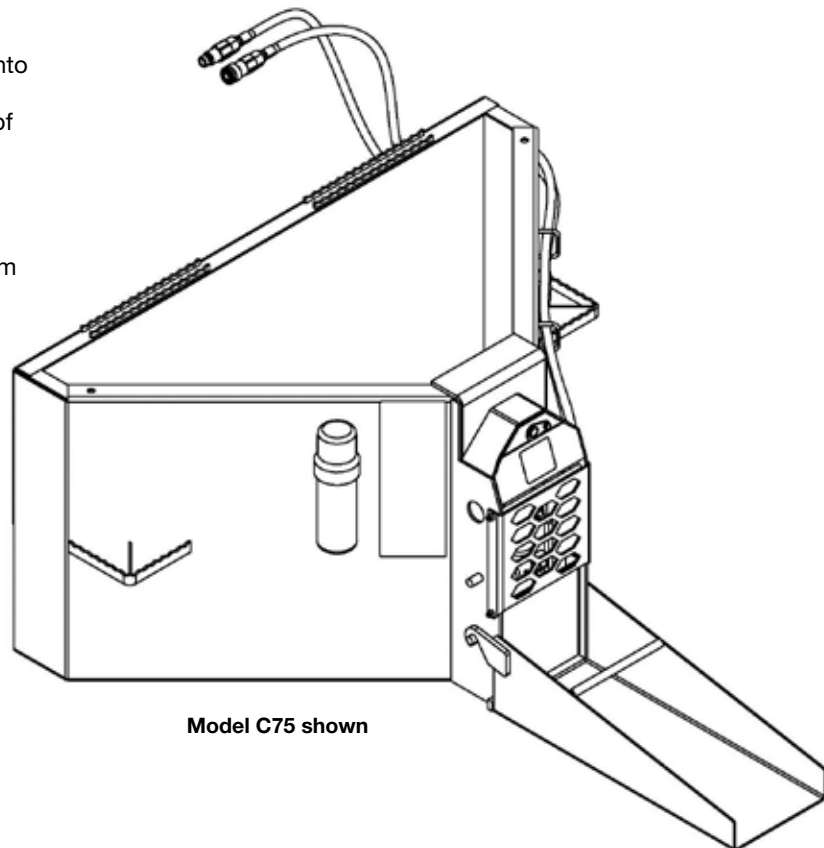
MODEL COMPATIBILITY	W50TC W50BTC	W80TC W80BTC	W50C	W80C	REQUIRED EQUIPMENT			
					AUX. HYD.	SSL COUPLER	Z-BAR HORIZ PIN COUPLER	TC HORIZ PIN COUPLER
C50 CONCRETE BUCKET	•	•	•	•	R	R		
C75 CONCRETE BUCKET	•	•	•	•	R	R		

FEATURES

- Dispenses concrete safely and easily into column and wall forms
- Quick, clean and accurate placement of concrete without a wheelbarrow
- Hydraulically actuated gate for precise concrete metering
- Removable chute extension
- Safety door keeps co-workers safe from dispensing gate
- 58" wide. Can be easily picked up and transported in a standard 60" bucket
- Optional 90° chute kit

APPLICATIONS

- Ideal for pools and patios



Model C75 shown



CONCRETE CLAW

COMPACT WHEEL LOADERS

SSL COUPLER

	PART NUMBER	WEIGHT LB
* CONCRETE CLAW	87045466	575
CONCRETE CLAW, HEAVY DUTY	87382022	595

*Skid steer compatible – see skid steer section for applicable machine models.

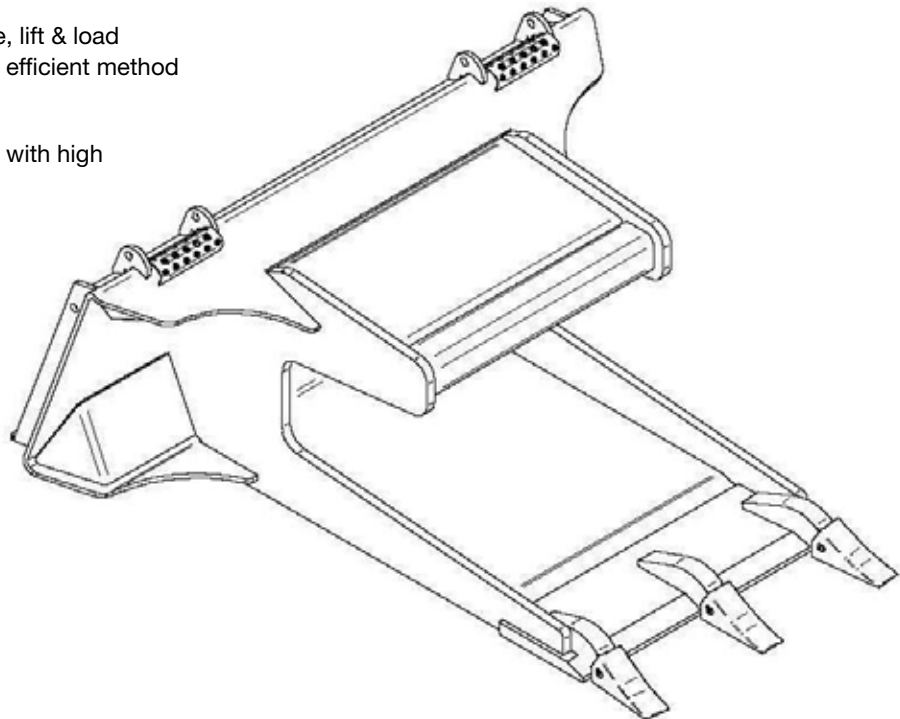
MODEL COMPATIBILITY	W50TC W50BTC	W80TC W80BTC	W50C	W80C	REQUIRED EQUIPMENT			
					AUX. HYD.	SSL COUPLER	Z-BAR HORIZ PIN COUPLER	TC HORIZ PIN COUPLER
CONCRETE CLAW	•		•			R		
CONCRETE CLAW, HEAVY DUTY		•		•		R		

FEATURES

- Slide the claw teeth under the concrete, lift & load
- Allows for a cleaner, quicker, and more efficient method of concrete removal
- Replaceable points
- End plates and tooth shanks are made with high strength T-1 steel
- 1" x 8" wear resistant steel tapered cutting edge
- Features name-brand replaceable points with 1-1/2" wide shanks
- Rubberized flex pins securely fasten replaceable points

APPLICATIONS

- Excellent attachment for concrete removal on sidewalks, driveways or any construction site





GRAPPLE, BRUSH

COMPACT WHEEL LOADERS

SSL COUPLER

Unit includes hoses and quick disconnects.

	PART NUMBER	WEIGHT LB
*72" BRUSH CONSTRUCTION GRAPPLE	87678203	925
*78" BRUSH CONSTRUCTION GRAPPLE	87678204	999
*84" BRUSH CONSTRUCTION GRAPPLE	87678205	1054
84" HD SCRAP GRAPPLE	87381900	1650

* Skid steer compatible – see skid steer section for applicable machine models.

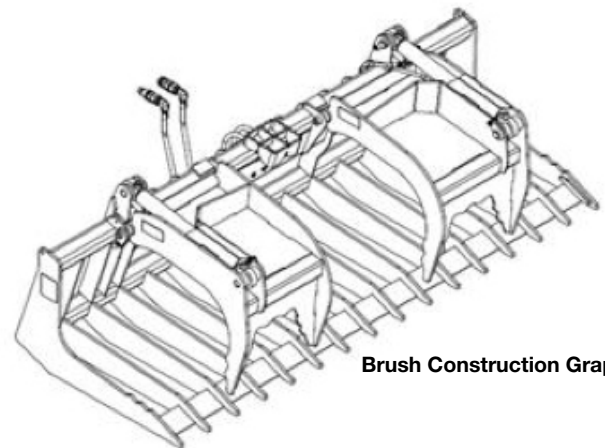
MODEL COMPATIBILITY	W60TC W50BTC	W80TC W80BTC	W50C	W80C	REQUIRED EQUIPMENT			
					AUX. HYD.	SSL COUPLER	Z-BAR HORIZ PIN COUPLER	TC HORIZ PIN COUPLER
*72" BRUSH CONSTRUCTION GRAPPLE	•		•		R	R		
*78" BRUSH CONSTRUCTION GRAPPLE	•		•		R	R		
*84" BRUSH CONSTRUCTION GRAPPLE	•		•		R	R		
84" HD BRUSH GRAPPLE		•		•	R	R		

FEATURES

- Handles logs, brush, rock and debris while leaving soil
- Dual, independent grapples
- Includes hoses and quick disconnects
- Pilot-operated check valve for locking grapple into position
- Lubricated pivot pins
- Replaceable bushings in bucket and grapples
- 100K PSI yield strength tine material

BRUSH CONSTRUCTION GRAPPLE

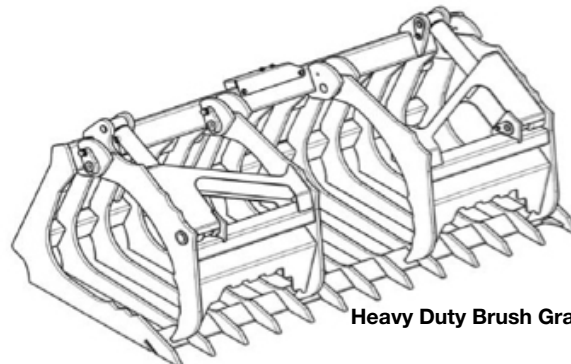
- 6" tine spacing
- Standard cylinder guards protect all cylinder components
- 1-1/4" cylinder pivot pins
- 1-1/4" x 24" grapple pins greatly reduce torsional force
- 1/2" thick end plates
- Cushioned cylinders – 2" x 8" x 1-1/4"
- Throat opening grapple open – 40"
- Throat opening grapple closed – 16 1/2"
- Overall depth – 39"



Brush Construction Grapple

HEAVY DUTY BRUSH GRAPPLE

- 6-1/4" tine spacing
- 1-3/8" cylinder pivot pins
- 1-3/4" grapple pins
- 3/4" thick end plates and tines
- Cushioned cylinders – 2-1/2" x 9" x 1-1/2"
- Throat opening grapple open – 46-3/4"
- Throat opening grapple closed – 23-3/8"
- Overall depth – 41-5/8"



Heavy Duty Brush Grapple



GRAPPLE, BRUSH

COMPACT WHEEL LOADERS

HORIZONTAL PIN COUPLER

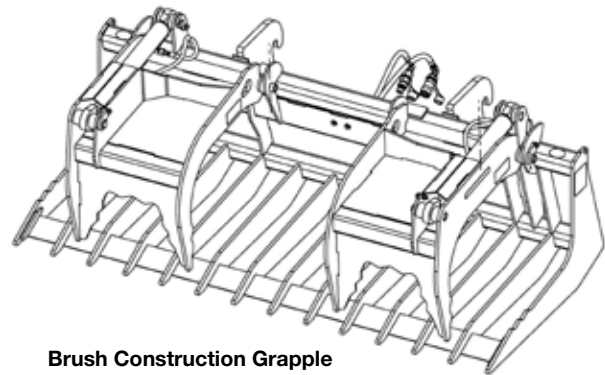
Unit includes hoses and quick disconnects.

	PART NUMBER	WEIGHT LB
78" BRUSH CONSTRUCTION GRAPPLE	47738577	1172
78" BRUSH CONSTRUCTION GRAPPLE	47738578	1231
84" HD BRUSH GRAPPLE	47738579	1770

MODEL COMPATIBILITY	W50C	W80C	REQUIRED EQUIPMENT			
			AUX. HYD.	SSL COUPLER	Z-BAR HORIZ PIN COUPLER	TC HORIZ PIN COUPLER
78" BRUSH CONS. GRAPPLE 47738577	•		R			R
78" BRUSH CONS. GRAPPLE 47738578	•		R		R	
84" HD BRUSH GRAPPLE 47738579		•	R		R	

FEATURES

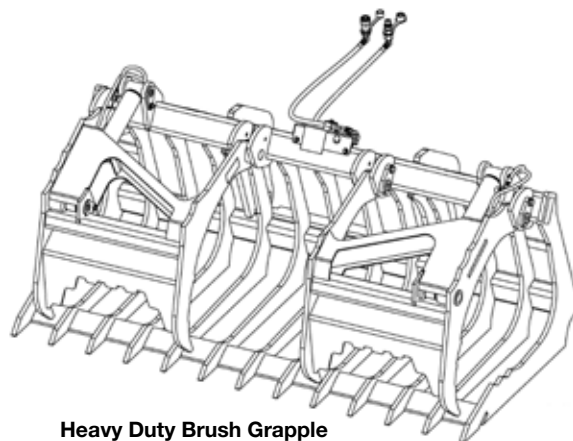
- Handles logs, brush, rock and debris while leaving soil
- Dual, independent grapples
- Includes hoses and quick disconnects
- Pilot-operated check valve for locking grapple into position
- Lubricated pivot pins
- Replaceable bushings in bucket and grapples
- 100K PSI yield strength tine material



Brush Construction Grapple

BRUSH CONSTRUCTION GRAPPLE

- 6" tine spacing
- Standard cylinder guards protect all cylinder components
- 1-1/4" cylinder pivot pins
- 1-1/4" x 24" grapple pins greatly reduce torsional force
- 1/2" thick end plates
- Cushioned cylinders – 2" x 8" x 1-1/4"
- Throat opening grapple open – 40"
- Throat opening grapple closed – 16 1/2"
- Overall depth – 39"



Heavy Duty Brush Grapple

HEAVY DUTY BRUSH GRAPPLE

- 6-1/4" tine spacing
- 1-3/8" cylinder pivot pins
- 1-3/4" grapple pins
- 3/4" thick end plates and tines
- Cushioned cylinders – 2-1/2" x 9" x 1-1/2"
- Throat opening grapple open – 46-3/4"
- Throat opening grapple closed – 23-3/8"
- Overall depth – 41-5/8"



GRAPPLE, LOG

COMPACT WHEEL LOADERS

SSL COUPLER

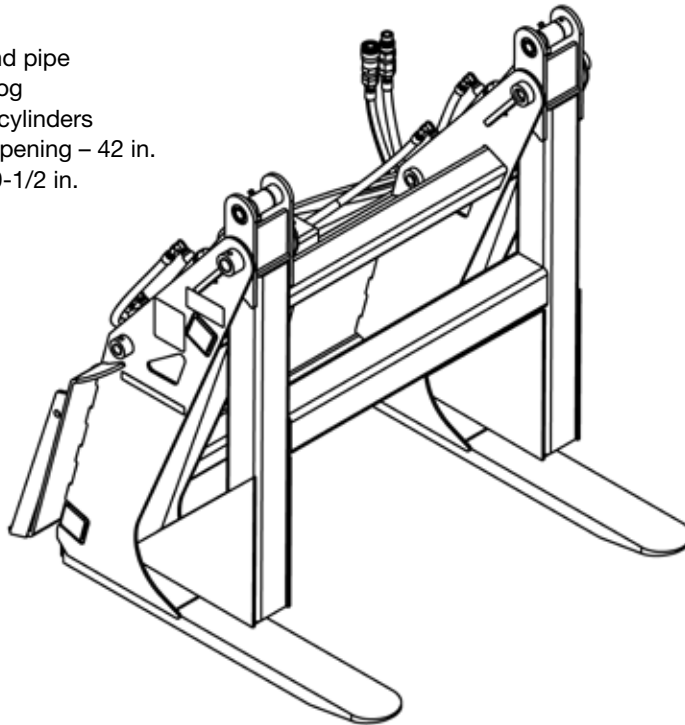
	PART NUMBER	WEIGHT LB
* LOG GRAPPLE	9863582	650

*Skid steer compatible – see skid steer section for applicable machine models.

MODEL COMPATIBILITY	W50TC W50BTC	W80TC W80BTC	W50C	W80C	REQUIRED EQUIPMENT			
					AUX. HYD.	SSL COUPLER	Z-BAR HORIZ PIN COUPLER	TC HORIZ PIN COUPLER
LOG GRAPPLE	•	•	•	•	R	R		

FEATURES

- Handles logs and pipe
- Closes to 6 in. log
- 2-1/2 in. x 8 in. cylinders
- Maximum jaw opening – 42 in.
- Fork length – 29-1/2 in.





GRAPPLE, SCRAP

COMPACT WHEEL LOADERS

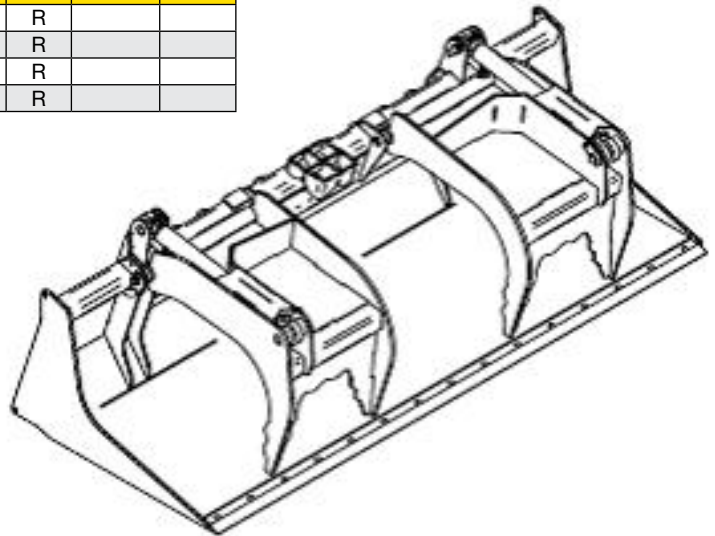
SSL COUPLER

Unit includes hoses and quick disconnects.

FOR W AND WB SERIES – REQUIRES BUCKET CIRCUIT RESTRICTOR (PART # 6559466. ORDER FROM NH PARTS	PART NUMBER	WEIGHT LB
* 76" SCRAP CONSTRUCTION GRAPPLE	87677285	1081
* 82" SCRAP CONSTRUCTION GRAPPLE	87677286	1133
* 88" SCRAP CONSTRUCTION GRAPPLE	87677287	1180
83" HD SCRAP GRAPPLE	87382018	1465

* Skid steer compatible – see skid steer section for applicable machine models.

MODEL COMPATIBILITY	W50TC W50BTC	W80TC W80BTC	W50C	W80C	REQUIRED EQUIPMENT			
					AUX. HYD.	SSL COUPLER	Z-BAR HORIZ PIN COUPLER	TC HORIZ PIN COUPLER
76" SCRAP CONST. GRAPPLE – 87677285	•		•		R	R		
82" SCRAP CONST. GRAPPLE – 87677286	•		•		R	R		
88" SCRAP CONST. GRAPPLE – 87677287	•		•		R	R		
83" HD SCRAP GRAPPLE – 87382018		•		•	R	R		



FEATURES

- Standard cylinder guards protect all cylinder components
- Dual independent grapples
- Open ends to handle long objects
- Drilled for bolt-on edge
- Hydraulic hoses & flat face hydraulic quick disconnects included

SCRAP CONSTRUCTION GRAPPLE

- Standard load check valve for positive clamp force
- 1-1/4" cylinder pivot pins
- 1-1/4" x 24" grapple pins reduce torsional force
- 1/2" end plates
- Cushioned cylinders – 2" x 8" x 1-1/4"
- Throat opening, grapple open – 40"
- Throat opening, grapple closed – 20"
- Overall Depth – 38"

HEAVY DUTY SCRAP GRAPPLE

- 1-1/2" x 27-1/8" patented grapple pins reduce torsional force
- 1-1/2" x 8-5/8" heat treated, greasable pivot points
- 1/2" end plates
- Cushioned and sleeved cylinders – 2-1/2" x 8" x 1-3/4"
- Throat opening, grapple open – 47.4"
- Throat opening, grapple closed – 21.8"
- Overall Depth – 37.3"

ACCESSORIES	
Width	Bolt-on Edge
76"	86577171
82-83"	86577173
88"	85801161



GRAPPLE, SCRAP

COMPACT WHEEL LOADERS

HORIZONTAL PIN COUPLER

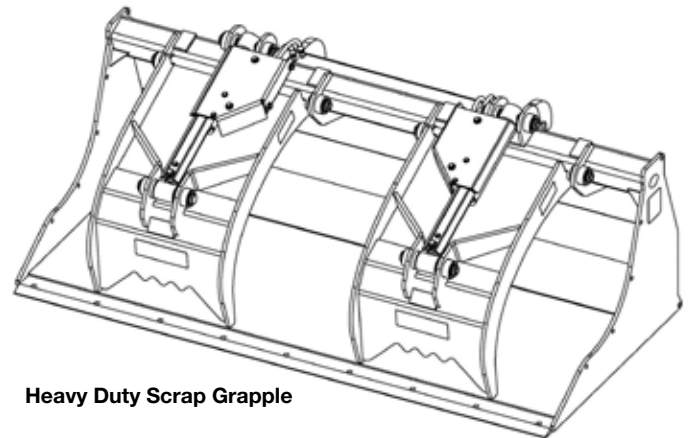
Unit includes hoses and quick disconnects.

	PART NUMBER	WEIGHT LB
78" HD SCRAP CONSTRUCTION GRAPPLE	47738584	1415
78" HD SCRAP CONSTRUCTION GRAPPLE	47738585	1465
83" HD SCRAP GRAPPLE	47738586	1660

MODEL COMPATIBILITY	W50C	W80C	REQUIRED EQUIPMENT			
			AUX. HYD.	SSL COUPLER	Z-BAR HORIZ PIN COUPLER	TC HORIZ PIN COUPLER
78" HD SCRAP CONS. GRAPPLE – 47738584	•		R			R
78" HD SCRAP CONS. GRAPPLE – 47738585	•		R		R	
83" HD SCRAP GRAPPLE – 47738586		•	R		R	

FEATURES

- Standard cylinder guards protect all cylinder components
- Dual independent grapples
- Open ends to handle long objects
- Drilled for bolt-on edge
- Hydraulic hoses & flat face hydraulic quick disconnects included
- 1½" x 8-5/8" heat-treated, greasable pivot pins
- 1½" x 27-1/8" patented grapple pins reduce torsional force
- Cushioned and sleeved cylinders – 2-1/2" x 8" x 1-3/4"



Heavy Duty Scrap Grapple

HEAVY DUTY SCRAP CONSTRUCTION GRAPPLE

- 3/8" end plates
- Throat opening, grapple open – 46.4"
- Throat opening, grapple closed – 19.1"
- Overall Depth – 37.8"

HEAVY DUTY SCRAP GRAPPLE

- 1-1/2" x 27-1/8" patented grapple pins reduce torsional force
- 1-1/2" x 8-5/8" heat treated, greasable pivot points
- 1/2" end plates
- Throat opening, grapple open – 47.4"
- Throat opening, grapple closed – 21.8"
- Overall depth – 37.3"

ACCESSORIES	
Width	Bolt-on Edge
78"	86577171
83"	86577173



LIFT BOOM

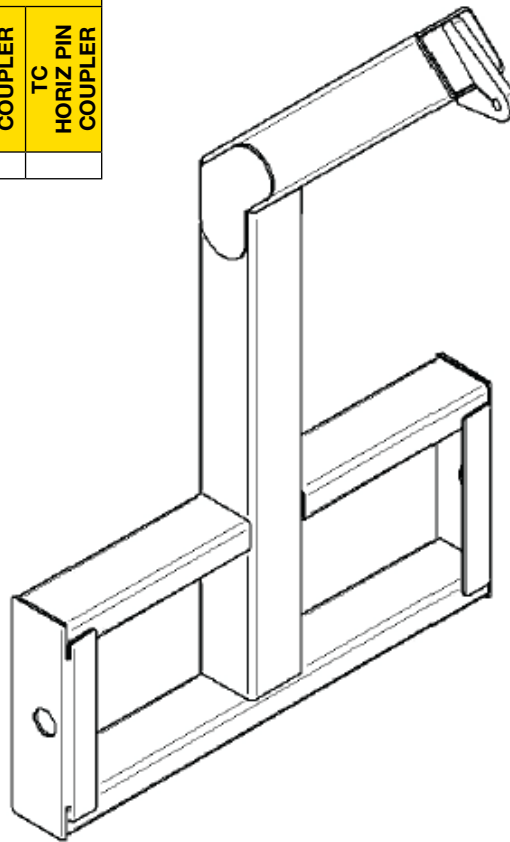
COMPACT WHEEL LOADERS

SSL COUPLER

	PART NUMBER	WEIGHT LB
* LIFT BOOM – 6'	86620002	400

*Skid steer compatible – see skid steer section for applicable machine models.

MODEL COMPATIBILITY	W50TC W50BTC	W80TC W80BTC	W50C	W80C	REQUIRED EQUIPMENT			
					AUX. HYD.	SSL COUPLER	Z-BAR HORIZ PIN COUPLER	TC HORIZ PIN COUPLER
LIFT BOOM – 6'	•	•	•	•		R		



FEATURES

- Overall Width: 47"
- Loading Depth: 25.1"
- Depth: 31"
- Overall height: 73.2"
- Reach: 83.1"
- Adds 6.5 ft additional reach to loader

APPLICATIONS

- Ideal for nurseries for moving balled trees
- Use at worksites to load and unload attachments, etc.
- Ideal for placing and removing concrete forms



LOAD MONITOR

COMPACT WHEEL LOADERS

	PART NUMBER	WEIGHT LB
WEIGHLOG 200 Load Monitor	84316809	14
WEIGHLOG 3030 Load Monitor	47920217	12

ADDITIONAL EQUIPMENT (Order as needed)

PRINTER KIT	84316810	1
-------------	----------	---

MODEL COMPATIBILITY	W50TC W50BTC	W80TC W80BTC	W50C	W80C	REQUIRED EQUIPMENT			
					AUX. HYD.	SSL COUPLER	Z-BAR HORIZ PIN COUPLER	TC HORIZ PIN COUPLER
WEIGHLOG 200 Load Monitor	•	•	•	•				
WEIGHLOG 3030 Load Monitor	•	•	•	•				

SPECIFICATIONS	
MODEL	WL200 / WL3030
Operating Voltage	11 - 30 vdc
Temperature Range	32°-102° (0°-50°C)
System Accuracy	±2% (or better)
Pressure Range	0-4350 psi (0-250bar)
Speed Compensated Dynamic Weighing	Yes
Printer Compatible	Yes
Warranty	1 year/parts

Kit comes complete with:

- Head unit
- Heavy duty load sensor
- Hydraulic fitting kit
- Reference/direction sensors
- Remote enter button
- Installation kit



WL200

FEATURES

- Static or dynamic weighing
- 5 individual display channels
- Proven sensor technology
- Backlit LCD graphic display and keypad
- Measures, displays and records net weight based on lift system pressure
- Calibrate for any bucket, pallet fork, etc.
- Internal audible alarm
- WeighLog is not certified for legal sale of goods



WL3030

FEATURES

- Easy to use 4.3" color touchscreen display
- Stores up to 30 customers and 30 products
- Load on the go, no stopping the machine or bucket
- Data collection via SD card and USB memory stick
- Single pressure sensor
- Target loads
- Optional printing capability with ICP 300 Printer
- Advanced weighing mode for even greater accuracy
- Large display showing bucket load, target load, customer name, material and time of day



MANURE FORK

COMPACT WHEEL LOADERS

SSL COUPLER

	PART NUMBER	WEIGHT LB
* 72" MANURE FORK	84218739	525
* 84" MANURE FORK	84218740	575

*Skid steer compatible. See Skid Steer section for applicable machine models.

OPTIONS:

GRAPPLE ATTACHMENT (requires standard auxiliary boom hydraulics, Includes hoses and QDs.)	84225454	130
---	----------	-----

MODEL COMPATIBILITY	W50TC W50BTC	W80TC W80BTC	W50C	W80C	REQUIRED EQUIPMENT			
					AUX. HYD.	SSL COUPLER	Z-BAR HORIZ PIN COUPLER	TC HORIZ PIN COUPLER
MANURE FORK, 72"	•		•		O	R		
MANURE FORK, 84"	•		•		O	R		

FEATURES

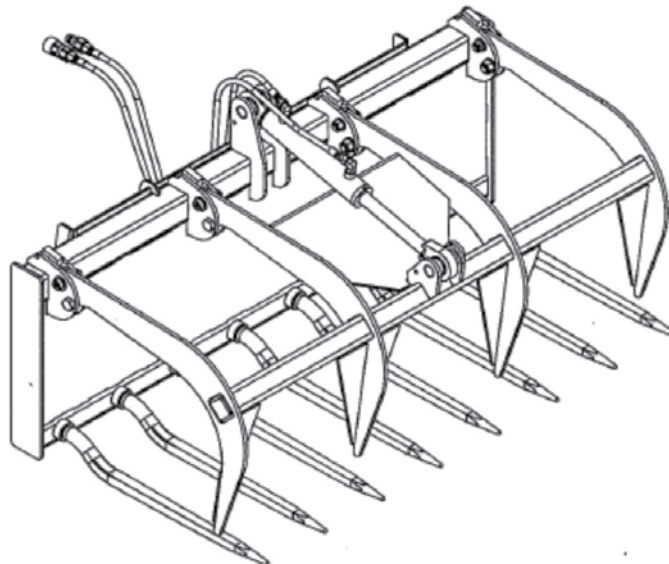
- All standard fork attachments are grapple-ready
- Heavy-duty, forged tines
- Single heavy-duty cylinder for grapple option
- Overall Depth – 30"
- Overall Height – 25"
- Grapple Opening – 37"

APPLICATIONS

- Moves loose hay and manure
- Clean-up and transport branches, brush and limbs

REQUIREMENTS FOR OPERATION

- Standard auxiliary hydraulics for optional grapple



Shown with optional grapple



PALLET FORK

COMPACT WHEEL LOADERS

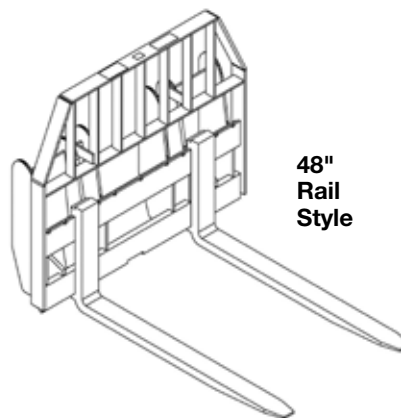
SSL COUPLER

	PART NUMBER	WEIGHT LB
RAIL STYLE		
Pallet Fork, 48" wide carriage, 1-3/4" x 4" x 48" tines	47898510	685
Pallet Fork, 60" wide carriage, 2" x 4" x 48" tines	47898514	854
Pallet Fork, 48" wide carriage, 1-3/4" x 4" x 48" tines	47817039	734
Pallet Fork, 60" wide carriage, 2" x 4" x 48" tines	47817041	907
FLOATING SHAFT STYLE		
Pallet Fork, 48" wide carriage, 1-3/4" x 4" x 48" tines	47898512	778
Pallet Fork, 60" wide carriage, 2" x 4" x 48" tines	47898516	879
Pallet Fork, 48" wide carriage, 1-3/4" x 4" x 48" tines	47817040	810
Pallet Fork, 60" wide carriage, 2" x 4" x 48" tines	47817043	920

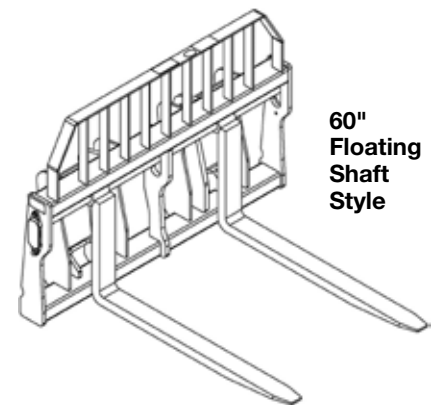
MODEL COMPATIBILITY	W50TC W50BTC	W80TC W80BTC	W50C	W80C	REQUIRED EQUIPMENT			
					AUX. HYD.	SSL COUPLER	Z-BAR HORIZ PIN COUPLER	TC HORIZ PIN COUPLER
RAIL STYLE								
PALLET FORK, 48" – 47898510	•					R		
PALLET FORK, 60" – 47898514		•				R		
PALLET FORK, 48" – 47817039			•			R		
PALLET FORK, 60" – 47817041				•		R		
FLOATING SHAFT STYLE								
PALLET FORK, 48" – 47898512	•					R		
PALLET FORK, 60" – 47898516		•				R		
PALLET FORK, 48" – 47817040			•			R		
PALLET FORK, 60" – 47817043				•		R		

FEATURES

- For handling pallets and construction materials
- Standard brick guard
- Locking position pins (rail style)
- Heat-treated tines, manually adjustable
- 48" tines
- 1-3/4"x 4" tines, 6000 lb rated fork capacity
- 2"x 4" tines, 8,440 lb. rated fork capacity



48" Rail Style



60" Floating Shaft Style



PALLET FORK

COMPACT WHEEL LOADERS

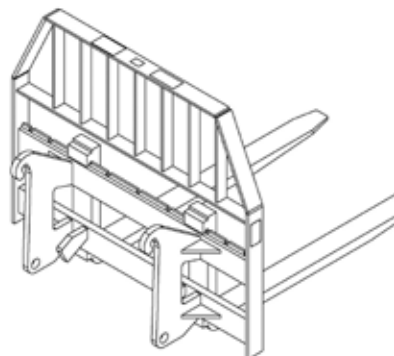
HORIZONTAL PIN COUPLER

	PART NUMBER	WEIGHT LB
RAIL STYLE		
Pallet Fork, 48" wide carriage, 1-3/4" x 4" x 48" tines	47898506	655
Pallet Fork, 60" wide carriage, 2" x 4" x 48" tines	47898507	830
Pallet Fork, 48" wide carriage, 1-3/4" x 4" x 48" tines	47737923	634
Pallet Fork, 48" wide carriage, 1-3/4" x 4" x 48" tines	47737924	648
Pallet Fork, 60" wide carriage, 2" x 4" x 48" tines	47737927	768
FLOATING SHAFT STYLE		
Pallet Fork, 48" wide carriage, 1-3/4" x 4" x 48" tines	47737925	760
Pallet Fork, 48" wide carriage, 1-3/4" x 4" x 48" tines	47737926	730
Pallet Fork, 60" wide carriage, 2" x 4" x 48" tines	47737928	840

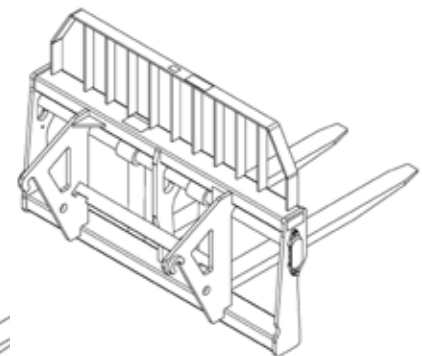
MODEL COMPATIBILITY	LW50.B	LW80.B	W50C	W80C	REQUIRED EQUIPMENT			
					AUX. HYD.	LW-SERIES COUPLER	Z-BAR HORIZ PIN COUPLER	TC HORIZ PIN COUPLER
RAIL STYLE								
PALLET FORK, 48" - 47898506	•					R		
PALLET FORK, 60" - 47898507		•				R		
PALLET FORK, 48" - 47737923			•					R
PALLET FORK, 48" - 47737924			•				R	
PALLET FORK, 60" - 47737927				•			R	
FLOATING SHAFT STYLE								
PALLET FORK, 48" - 47737925			•					R
PALLET FORK, 48" - 47737926			•				R	
PALLET FORK, 60" - 47737928				•			R	

FEATURES

- For handling pallets and construction materials
- Standard brick guard
- Locking position pins (rail style)
- Heat-treated tines, manually adjustable
- 48" tines
- 1-3/4"x 4" tines, 6000 lb. rated fork capacity
- 2"x 4" tines, 8,440 lb. rated fork capacity



48" Rail Style (TC type)



60" Floating Shaft Style (Z-bar type)



ROCK BUCKET

COMPACT WHEEL LOADERS

SSL COUPLER

	PART NUMBER	WEIGHT LB
* ROCK BUCKET 75" – 3" tine spacing	86900290	625
* ROCK BUCKET 75" – 2" tine spacing	87027539	680
* ROCK BUCKET 84" – 3" tine spacing	87027540	692
ROCK BUCKET, Heavy Duty, 84" – 3" tine spacing	87381974	1640

*Skid steer compatible – see skid steer section for applicable machine models.

OPTIONAL EQUIPMENT

GRAPPLE ATTACHMENT for 75" and 84" Rock Buckets (Not compatible with Heavy Duty buckets)	87389692	490
---	----------	-----

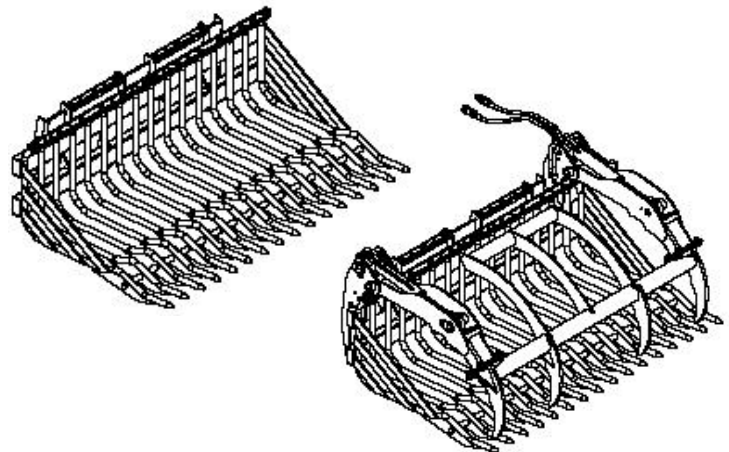
MODEL COMPATIBILITY	W50TC W50BTC	W80TC W80BTC	W50C	W80C	REQUIRED EQUIPMENT			
					AUX. HYD.	SSL COUPLER	Z-BAR HORIZ PIN COUPLER	TC HORIZ PIN COUPLER
ROCK BUCKET 75"	•		•		O	R		
ROCK BUCKET 84"	•		•		O	R		
ROCK BUCKET, Heavy Duty, 84"		•		•		R		

FEATURES

- Designed to hold the collected rocks and debris while leaving the soil
- Tine spacing determines the size of rocks and debris that will be retained while allowing the soil to sift back to the ground
- 2" tine spacing keeps bricks in the bucket for easier clean up around job sites
- The rake design is used to gather material away from buildings and obstructions, for faster clean up of debris, to level out clumps of dirt and pick-up pieces of sod

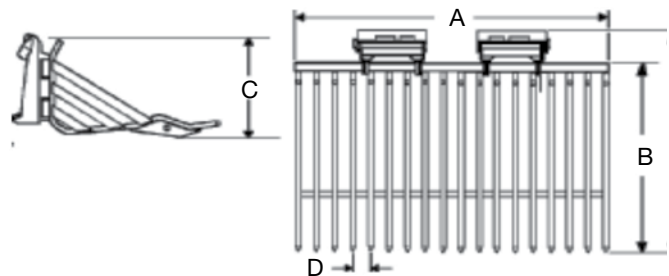
APPLICATIONS

- Rake – Pile – Load debris from construction sites, pastures, fields, etc.



Shown with Optional Grapple

SPECIFICATIONS			
Description	75"	84"	84" HD
A. Overall Width	74.4"	82.9"	84.5"
B. Overall Depth	49.8"	49.8"	51.25"
C. Overall Height	21.8"	21.8"	35.5"
D. Tine Spacing (center to center)	4.25" or 3.15"	4.25"	4.5"
D. Tine Spacing (between tines)	3.1" or 2"	3.1"	3.0"
Number of Tines	18 or 24	20	19
Tine Rod Diameter	1.1"	1.1"	1.62"





ROOT RAKE

COMPACT WHEEL LOADERS

SSL COUPLER

Unit includes skid steer mounting bracket, hoses and quick couplers.

	PART NUMBER	WEIGHT LB
*72" ROOT RAKE with grapple	87382370	1100
*78" ROOT RAKE with grapple	87389706	1150
*84" ROOT RAKE with grapple	87389707	1220
84" ROOT RAKE, Heavy Duty with grapple	87382371	1225

*Skid steer compatible – see skid steer section for applicable machine models.

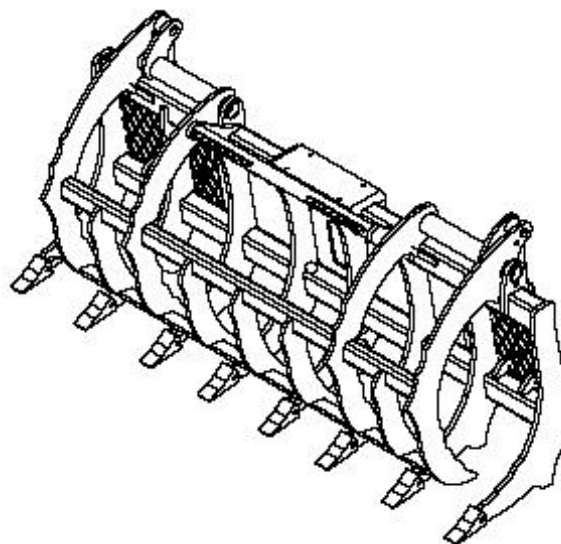
MODEL COMPATIBILITY	W50TC W50BTC	W80TC W80BTC	W50C	W80C	REQUIRED EQUIPMENT			
					AUX. HYD.	SSL COUPLER	Z-BAR HORIZ PIN COUPLER	TC HORIZ PIN COUPLER
72" Root Rake with grapple	•		•		R	R		
78" Root Rake with grapple	•		•		R	R		
84" Root Rake with grapple	•		•		R	R		
84" Root Rake, Heavy Duty with grapple		•		•	R	R		

FEATURES

- Upper push-bar, aggressive profiles with H&L-230 style teeth work together to neatly gather material into a manageable pile
- Zinc plated, greasable, pivot pins with protected grease zerks, and replaceable hardened steel bushings at all pivot locations
- Pilot operated check for positive lock clamping
- Weld-on D-ring for countless applications

APPLICATIONS

- Rake – Pile – Load debris from construction sites, pastures, fields, storm damage, etc.





SILAGE DEFACER

COMPACT WHEEL LOADERS

SSL COUPLER

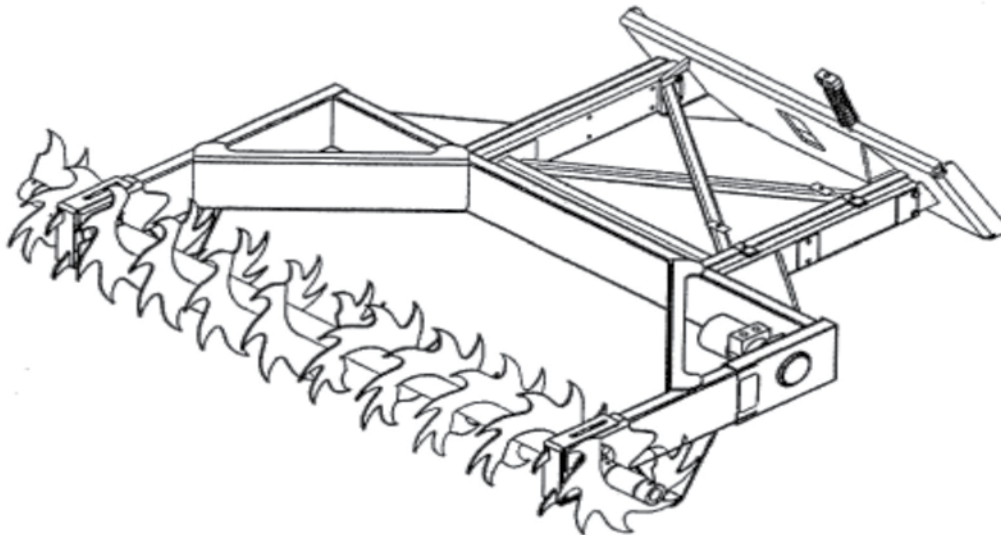
	PART NUMBER	WEIGHT LB
*SILAGE DEFACER	87045463	940

*Skid steer compatible – see skid steer section for applicable machine models.

MODEL COMPATIBILITY	W50TC W50BTC	W80TC W80BTC	W50C	W80C	REQUIRED EQUIPMENT			
					AUX. HYD.	SSL COUPLER	Z-BAR HORIZ PIN COUPLER	TC HORIZ PIN COUPLER
SILAGE DEFACER	•	•	•	•	R	R		

FEATURES

- 3-position, extendable frame. Working heights up to 19', depending on loader lift height, loader capacity and frame position
- Inverted auger style cutter loosens haylage and silage from tightly compacted bunker silos
- Maintains smooth compacted bunker face for reduced spoilage and improved palatability
- Does not reduce haylage stem length for optimum digestibility yielding higher milk production
- Open frame design allows the operator so see the bunker face
- 96" full width cut and inboard mounted drive motor allows defacer to operate closer to bunker walls
- Frame stands protect rotor when running or parked
- Cutter made from abrasion-resistant steel for long life
- Enclosed #80H chain drive with simple chain tension adjustment





SNOW BLADES

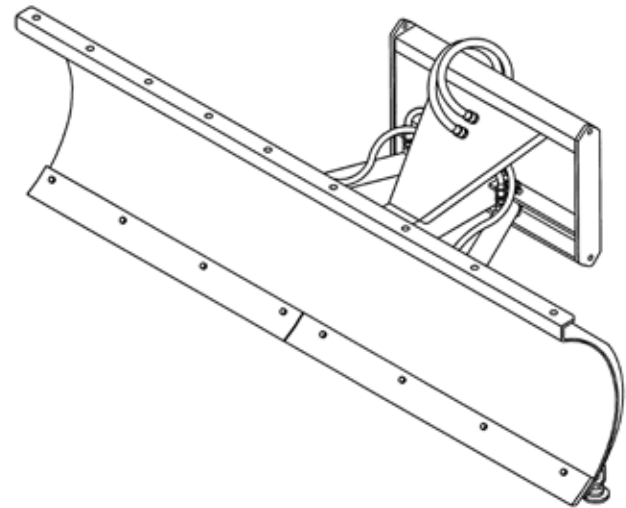
COMPACT WHEEL LOADERS

SSL COUPLER

Unit includes mounting bracket, hydraulic angling, hoses and quick couplers.

	PART NUMBER	WEIGHT LB
* SNOW BLADE, 96" with steel edge	86635077	1175
* SNOW BLADE, 96" with rubber edge	86635080	1175
* SNOW BLADE, 108" with steel edge	86635078	1250
* SNOW BLADE, 108" with rubber edge	86635081	1250
SNOW BLADE 108" HD with steel edge	87382378	1309
SNOW BLADE 108" HD with rubber edge	87389803	1319
SNOW BLADE, 120" HD with steel edge	87382379	1393
SNOW BLADE, 120" HD with rubber edge	87389804	1403

*Skid steer compatible – see skid steer section for applicable machine models.



OPTIONAL COMPONENTS (Order as needed)

Steel Edge Kit, 96"	47937200	176
Steel Edge Kit, 108"	47937201	192
Steel Edge Kit, 120"	47937202	207
Rubber Edge Kit, 96"	47937205	134
Rubber Edge Kit, 108"	47937206	145
Rubber Edge Kit, 120"	47937207	155
Polyurethane Edge Kit, 96"	47937209	65
Polyurethane Edge Kit, 108"	47937210	70
Polyurethane Edge Kit, 120"	47937212	75
Top Deflector Kit, 96"	47531766	64
Top Deflector Kit, 108"	47531767	66
Top Deflector Kit, 120"	47937216	68
Hyd. Cushion Valve Kit (Protects against damage to angle cylinders. Included on 120" blades.)	47941457	10

MODEL COMPATIBILITY	W50TC W50BTC	W80TC W80BTC	W50C	W80C	REQUIRED EQUIPMENT			
					AUX. HYD.	SSL COUPLER	Z-BAR HORIZ PIN COUPLER	TC HORIZ PIN COUPLER
SNOW BLADE, 96"	•		•		R	R		
SNOW BLADE, 108"	•		•		R	R		
SNOW BLADE, 108" HD		•		•	R	R		
SNOW BLADE, 120" HD		•		•	R	R		

FEATURES

- Adjustable skid shoes
- Spring loaded trip protection
- 35° hydraulic angle in either direction
- Replaceable edge
- Flat face hydraulic quick disconnects included
- Hydraulic hoses included
- 31-3/4" blade height
- 10 gauge reinforced moldboard
- Available with factory-installed steel or rubber cutting edge

- Optional polyurethane edge (1" X 6")
- Optional 2-ply rubber snow deflector (.25 X 10")
- Optional hydraulic cushion valve (included on 120" blades)

APPLICATIONS

- Snow removal

REQUIREMENTS FOR OPERATION

- Auxiliary hydraulics
- SSL coupler



SNOW BUCKET

COMPACT WHEEL LOADERS

SSL COUPLER

	PART NUMBER	WEIGHT LB
* HEAVY DUTY SNOW BUCKET, 96"	87324178	980
* HEAVY DUTY SNOW BUCKET, 108"	87324179	1060

*Skid steer compatible – see skid steer section for applicable machine models.

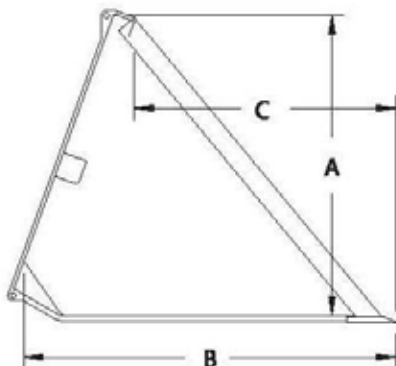
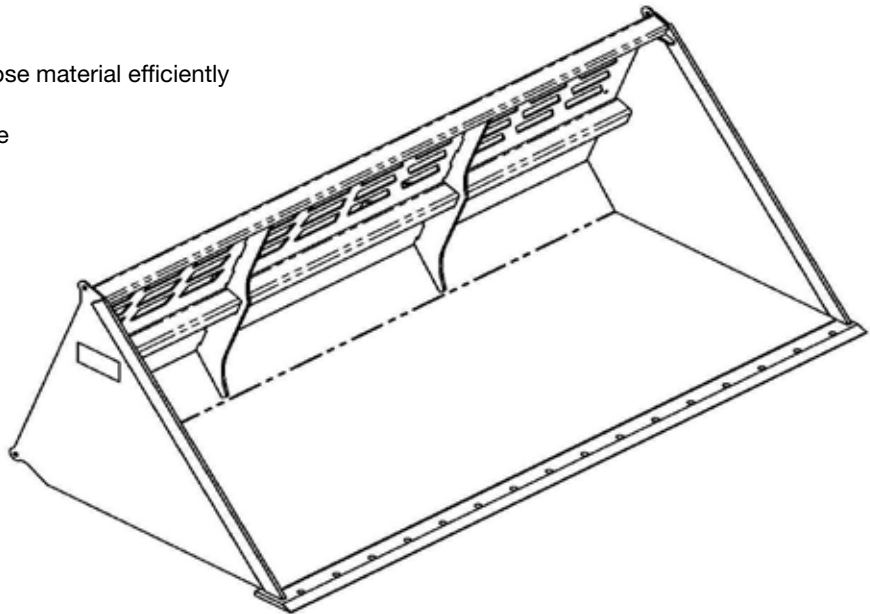
OPTIONAL COMPONENTS (Order as needed)

BOLT-ON CUTTING EDGE KIT (incl. reversible edge and hardware)		
Bolt-on Cutting edge kit 96"	87324185	161
Bolt-on Cutting edge kit 108"	87324186	181

MODEL COMPATIBILITY	W50TC W50BTC	W80TC W80BTC	W50C	W80C	REQUIRED EQUIPMENT			
					AUX. HYD.	SSL COUPLER	Z-BAR HORIZ PIN COUPLER	TC HORIZ PIN COUPLER
HEAVY DUTY SNOW BUCKET, 96"	•	•	•	•		R		
HEAVY DUTY SNOW BUCKET, 108"	•	•	•	•		R		

FEATURES

- Move large volumes of snow or other loose material efficiently
- Cut out back plate for improved visibility
- Pre-drilled cutting edges for bolt on edge



SPECIFICATIONS					
	Height 'A'	Depth 'B'	Leading Edge 'C'	Struck	Heaped
96" Heavy Duty	38"	46"	32.5"	1.83 yd ³	2.36 yd ³
108" Heavy Duty	38"	46"	32.5"	2.07 yd ³	2.67 yd ³



SNOW PUSH

COMPACT WHEEL LOADERS

SSL COUPLER

	PART NUMBER	WEIGHT LB
SNOW PUSH – 96"	47692544	1220
SNOW PUSH – 120"	47692545	1390

OPTIONAL COMPONENTS – FACTORY INSTALLED (Order as needed)

PULL BACK KIT with rubber edge		
PULL BACK KIT – 96"	47645847	245
PULL BACK KIT – 120"	47645848	300

OPTIONAL COMPONENTS – FIELD INSTALLED (Order as needed)

PULL BACK KIT with rubber edge		
PULL BACK KIT– 96"	47645847	245
PULL BACK KIT – 120"	47645848	300
RUBBER EDGE KIT (Add-on or replacement for pullback kit)		
RUBBER EDGE KIT– 96"	47626034	125
RUBBER EDGE KIT – 120"	47626035	135
RUBBER EDGE KIT (Replacement edge for base push)		
RUBBER EDGE KIT– 96"	47693227	130
RUBBER EDGE KIT – 120"	47693228	150

MODEL COMPATIBILITY	W50TC W50BTC	W80TC W80BTC	W50C	W80C	REQUIRED EQUIPMENT			
					AUX. HYD.	SSL COUPLER	Z-BAR HORIZ PIN COUPLER	TC HORIZ PIN COUPLER
SNOW PUSH – 96"	•	•	•	•		R		
SNOW PUSH – 120"		•		•		R		

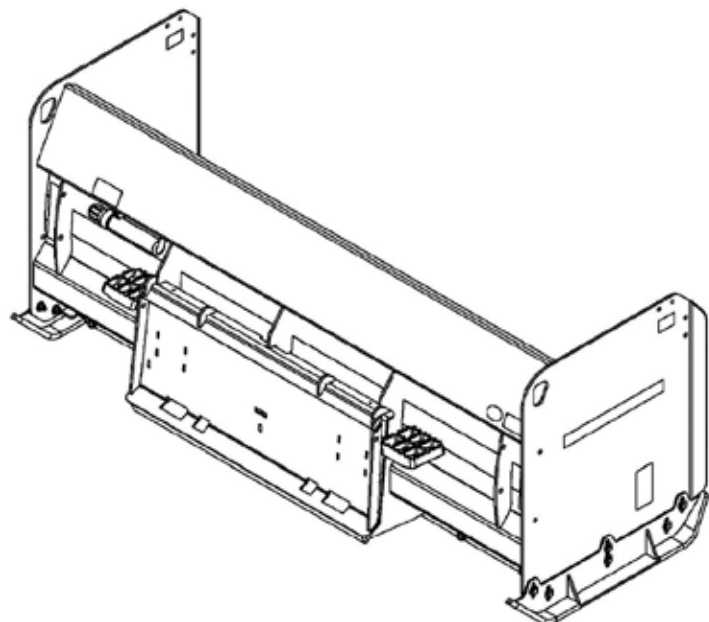
FEATURES

- Moves large volumes of snow efficiently
- Draws back snow from confined areas with optional pull back kit
- Reversible, 1-1/2" x 10" rubber edge on main blade
- Reversible, replaceable 3/4" x 6" wear shoes of abrasion resistant AR400 steel
- 41.3" high x 41.5" deep

APPLICATIONS

- Snow, waste water, manure, feed lot and flood clean-up

SPECIFICATIONS		
Path Width (in)	96	120
Overall Width (in)	101.5	125.5
Operating Wt (lbs)	1100	1230
Height (in)	41.3	41.3
Depth (in)	41.5	41.5





SNOW PUSH - SECTIONAL

COMPACT WHEEL LOADERS

SSL COUPLER

	PART NUMBER	WEIGHT LB
* SECTIONAL SNOW PUSH – 8 FT	48026410	1300
* SECTIONAL SNOW PUSH – 10.5 FT	48026411	1942
SECTIONAL SNOW PUSH – 13 FT	48026412	2200

*Skid steer compatible - see skid steer section for applicable machine models.

MODEL COMPATIBILITY	W50TC W50BTC	W80TC W80BTC	W50C	W80C	REQ'D EQUIPMENT			
					AUX. HYD.	SSL COUPLER	Z-BAR HORIZ. PIN COUPLER	TC HORIZ PIN COUPLER
SECTIONAL SNOW PUSH – 8 FT	•	•	•	•		R		
SECTIONAL SNOW PUSH – 10.5 FT		•		•		R		
SECTIONAL SNOW PUSH – 13 FT		•		•		R		

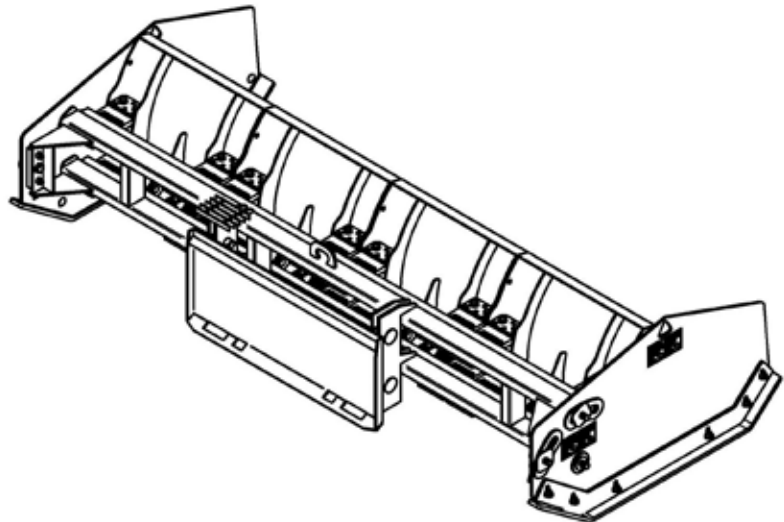
FEATURES

- Individual moldboard sections and articulating side panels move up and down independently to contour to the pavement, parking curbs and other obstacles, scraping cleanly down to the bare pavement on the first pass
- Interchangeable quick connect coupler mounting system
- Patented Slip-Hitch allows the entire pusher to move up and down independently of the machine pushing it, automatically self-leveling and perfectly adjusting the pusher to the pavement every time
- Individual moldboard sections and articulating side panels skip over curbs and other obstacles up to 9" in height to prevent operator injury and equipment damage
- Every part of the sectional pusher is removable, allowing just the damaged part or component to be replaced
- Hardox 450 hardened steel shoes and cutting edges

APPLICATIONS

- Snow and ice removal
- Moving waste water, manure and feed lot

SPECIFICATIONS			
Model	LD-8	LD-10.5	LD-13
Overall Width – in (m)	96 (2.4)	126 (3.2)	156 (4.0)
Operating Wt – lbs (kg)	1,150 (522)	1,792 (813)	2,050 (930)
Height – in (mm)	32 (813)		
Depth – in (mm)	58 (1473)		
Number of sections	3	4	5





TREE SPADE

COMPACT WHEEL LOADERS

SSL COUPLER

STANDARD AUXILIARY HYDRAULICS AND CONTROL KIT REQUIRED (with rear axle oscillation stops)	PART NUMBER	WEIGHT LB
Internal Frame, 25° Blade Angle, Truncated Spades		
* 3625 Tree Spade	87050401	1640
* 4425 Tree Spade	87050402	1875

*Skid steer compatible – see skid steer section for applicable machine models.

ADDITIONAL COMPONENTS (Order as Needed)

Electrical control package includes magnetically mounted control handle for cab, wire harness to tree spade connector. Includes rear axle stops. Required for Compact Wheel Loader Operation.	87382385	20
---	----------	----

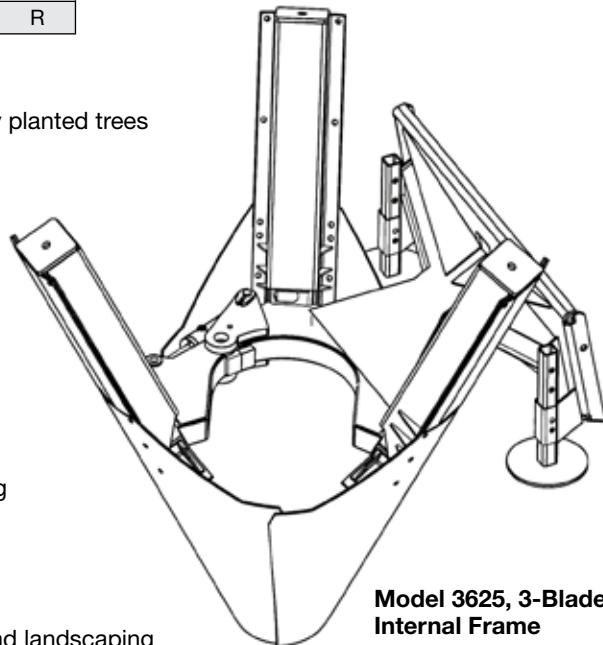
MODEL COMPATIBILITY	W50TC W50BTC	W80TC W80BTC	W50C	W80C	REQUIRED EQUIPMENT				
					AUX. HYD.	SSL COUPLER	Z-BAR HORIZ PIN COUPLER	TC HORIZ PIN COUPLER	REAR AXLE OSCILLATION STOPS
3625 TREE SPADE	•	•	•	•	R	R			R
4425 TREE SPADE	•	•	•	•	R	R			R

FEATURES

- Low profile blade towers to allow machine to fit between closely planted trees
- High strength “T1” steel blade material
- Two year warranty
- Overlapping blades to clear cut roots
- Adjustable blade slides to maintain alignment
- Adjustable blade depth control legs
- Wide gate opening to clear trees easily
- Produces round balls that actually fit wire baskets available from many vendors
- Built for heavy use at production nurseries and rental centers
- Straight blade design has less resistance in penetrating soil
- Inside frame allows work in tight areas
- Blade towers use high density plastic sides to eliminate greasing
- Produce several uniform ball sizes with 1 set of blades
- Inside frame style allows compressing tree ball in the basket

APPLICATIONS

- Designed for production tree harvesting, nursery applications and landscaping



Model 3625, 3-Blade Internal Frame

WHEEL LOADERS







INDEX

WHEEL LOADERS

Broom, Angle – ACS Coupler	WL-2
Broom, Angle – JRB Coupler	WL-3
Jib Boom – ACS Coupler	WL-4
Jib Boom – JRB Coupler	WL-5
Onboard Scale	WL-6-7
Utility Fork – ACS Coupler	WL-8
Utility Fork – JRB Coupler	WL-9



BROOM, ANGLE

WHEEL LOADERS

ACS COUPLER

Base unit includes mounting bracket, poly/wire mixed brush, hoses, quick disconnects and parking stands.

	PART NUMBER	WEIGHT LB
96" ANGLE BROOM	47423913	1887
108" ANGLE BROOM	47423914	1956
120" ANGLE BROOM (W130B/C ,W170B/C)	47423916	2218
120" ANGLE BROOM (W190B/C)	47423918	2356

OPTIONS EQUIPMENT

DUST CONTROL KIT with 85 gal. water tank	87606944	155
--	----------	-----

REPLACEMENT BRUSH SETS

POLY/WIRE BRUSH SET for 96" broom	84376840	196
POLY/WIRE BRUSH SET for 108" broom	84376841	220
POLY/WIRE BRUSH SET for 120" broom	84376842	268

ADDITIONAL EQUIPMENT FOR ACS COUPLERS

AUX. FUNCTION QD/HOSE KIT for W110B/C	84139949	10
AUX. FUNCTION QD/HOSE KIT for W110B/C TC	84139950	10
AUX. FUNCTION QD/HOSE KIT for W130B/C	84139951	10
AUX. FUNCTION QD/HOSE KIT for W130B/C TC	84139952	10
AUX. FUNCTION QD/HOSE KIT for W170B/C	84139953	10
AUX. FUNCTION QD/HOSE KIT for W170B/C TC	84139954	10
AUX. FUNCTION QD/HOSE KIT for W190B/C	84139955	10

MODEL COMPATIBILITY	W110B/C/D	W110B/C/D TC	W110B/C/D LR	W130B/C/D	W130B/C/D TC	W130B/C/D LR	W170B/C/D	W170B/C/D TC	W170B/C/D LR	W190B/C/D	W190B/C/D LR	REQUIRED EQUIPMENT			
												JRB COUPLER	ACS COUPLER	3rd FUNC. AUX HOSE/QD KIT	
96" ANGLE BROOM	•	•	•										R	R	R
108" ANGLE BROOM	•	•	•	•	•	•							R	R	R
120" ANGLE BROOM (W130B/C ,W170B/C)				•	•	•	•	•	•				R	R	R
120" ANGLE BROOM (W190B/C)										•	•		R	R	R

FEATURES

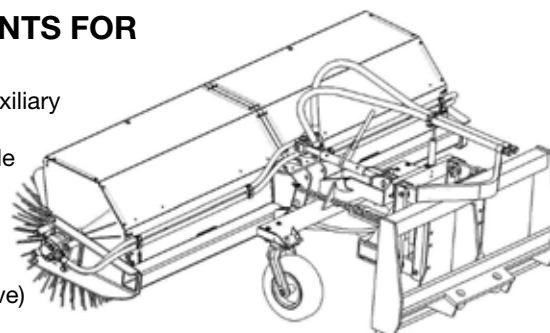
- Parking stands
- Hydraulic angle
- Angles 30° right or left
- 32" brush diameter on 96"/108"
36" brush diameter on 120"
- Adjustable broom head
- Integral nozzle mounting for water application
- 50/50 Poly/wire brush core
- Bolt together hood for simple, less costly replacement, if damaged
- Quick-change brush without breaking hydraulic lines
- Dual hydraulic motors
- Caster wheels
 - Pneumatic 4.80-8 tires on 96"/108"
 - Solid 4.80-8 tires on 120"

APPLICATIONS

- Street cleaning & parking lot maintenance, road maintenance clean-up, bridge deck clean-up, jobsite clean-up
- Snow removal

REQUIREMENTS FOR OPERATION

- 3rd function auxiliary hydraulics
- ACS-compatible quick coupler system
- Aux. Function QD/Hose kit (as shown above)





BROOM, ANGLE

WHEEL LOADERS

JRB COUPLER

Base unit includes mounting bracket, poly/wire mixed brush, hoses, quick disconnects and parking stands.

	PART NUMBER	WEIGHT LB
96" ANGLE BROOM	84215709	1774
108" ANGLE BROOM	84215710	1857
120" ANGLE BROOM (W130B/C ,W170B/C)	87606942	2383
120" ANGLE BROOM (W190B/C)	87606943	2463

OPTIONAL EQUIPMENT

DUST CONTROL KIT with 85 gal. water tank	87606944	155
--	----------	-----

REPLACEMENT BRUSH SETS

POLY/WIRE BRUSH SET for 96" broom	84376840	196
POLY/WIRE BRUSH SET for 108" broom	84376841	220
POLY/WIRE BRUSH SET for 120" broom	84376842	268

ADDITIONAL EQUIPMENT FOR JRB COUPLERS

AUX. FUNCTION QD/HOSE KIT for W110B/C	84139949	10
AUX. FUNCTION QD/HOSE KIT for W110B/C TC	84139950	10
AUX. FUNCTION QD/HOSE KIT for W130B/C	84139951	10
AUX. FUNCTION QD/HOSE KIT for W130B/C TC	84139952	10
AUX. FUNCTION QD/HOSE KIT for W170B/C	84139953	10
AUX. FUNCTION QD/HOSE KIT for W170B/C TC	84139954	10
AUX. FUNCTION QD/HOSE KIT for W190B/C	84139955	10

MODEL COMPATIBILITY	W110B/C/D	W110B/C/D TC	W110B/C/D LR	W130B/C/D	W130B/C/D TC	W130B/C/D LR	W170B/C/D	W170B/C/D TC	W170B/C/D LR	W190B/C/D	W190B/C/D LR	REQUIRED EQUIPMENT			
												JRB COUPLER	ACS COUPLER	3rd FUNC. AUX	HOSE/QD KIT
96" ANGLE BROOM	•	•	•									R		R	R
108" ANGLE BROOM	•	•	•	•	•	•						R		R	R
120" ANGLE BROOM (W130B/C ,W170B/C)				•	•	•	•	•	•			R		R	R
120" ANGLE BROOM (W190B/C)										•	•	R		R	R

FEATURES

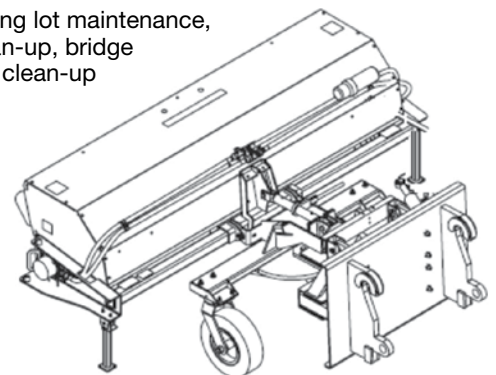
- Parking stands
- Hydraulic angle
- Angles 30° right or left
- 32" brush diameter on 96"/108"
36" brush diameter on 120"
- Adjustable broom head
- Integral nozzle mounting for water application
- 50/50 Poly/wire brush core
- Bolt together hood for simple, less costly replacement, if damaged
- Quick-change brush without breaking hydraulic lines
- Dual hydraulic motors
- Caster wheels
 - Pneumatic 4.80-8 tires on 96"/108"
 - Solid 4.80-8 tires on 120"

APPLICATIONS

- Street cleaning & parking lot maintenance, road maintenance clean-up, bridge deck clean-up, jobsite clean-up
- Snow removal

REQUIREMENTS FOR OPERATION

- 3rd function auxiliary hydraulics
- JRB-compatible quick coupler system
- Hose/QD kit





JIB BOOM

WHEEL LOADERS

ACS COUPLER

	PART NUMBER	WEIGHT LB
JIB BOOM, 7' - 11'	47873494	1200
JIB BOOM, 8' - 12'	47873495	2040

MODEL COMPATIBILITY	W110B/C/D	W110B/C/D TC	W110B/C/D LR	W130B/C/D	W130B/C/D TC	W130B/C/D LR	W170B/C/D	W170B/C/D TC	W170B/C/D LR	W190B/C/D	W190B/C/D LR	REQUIRED EQUIPMENT			
	MAXIMUM OPERATING LOAD SHOWN - LB											JRB COUPLER	ACS COUPLER	3rd FUNC. AUX	HOSE/QD KIT
JIB BOOM - 7' - 11' Extended	2324	2324	2618	3433	3104	3298	4274	3910	4525				R		
JIB BOOM - 7' - 11' Retracted	3536	3189	3378	4441	3953	4223	5491	4957	5910				R		
JIB BOOM - 8' - 12' Extended										4793	4213		R		
JIB BOOM - 8' - 12' Retracted										6104	5283		R		

FEATURES

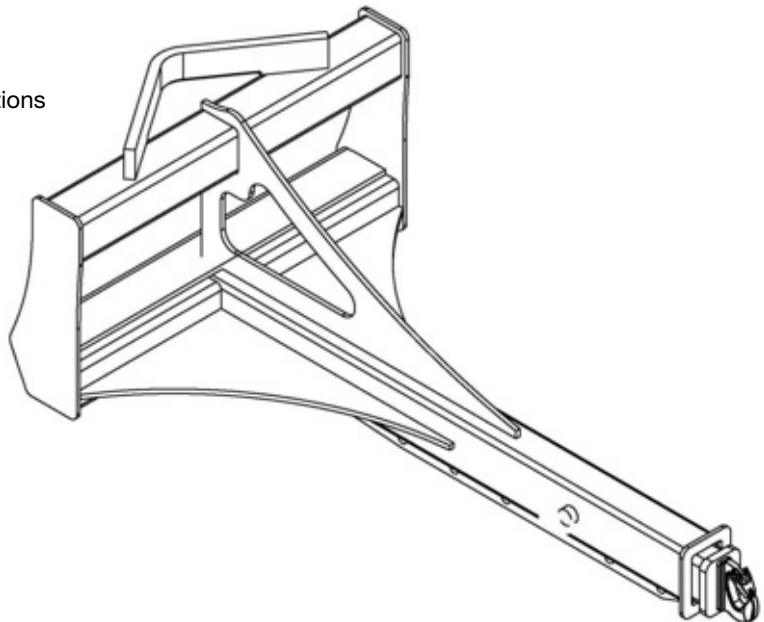
- High strength tubular steel construction
- Easily extendable, one pin manual adjustment
- Versatile lifting loop

APPLICATIONS

- Excellent for long reach material handling applications involving lifting, loading and positioning
- Efficient for handling large diameter, precast pipe
- Time-saving attachment for any job site

REQUIREMENTS FOR OPERATION

- ACS-compatible quick coupler system





JIB BOOM

WHEEL LOADERS

JRB COUPLER

	PART NUMBER	WEIGHT LB
JIB BOOM - 7'- 11'	47873491	1080
JIB BOOM - 8'- 12'	47873493	1800

MODEL COMPATIBILITY	W110B/C/D	W110B/C/D TC	W110B/C/D LR	W130B/C/D	W130B/C/D TC	W130B/C/D LR	W170B/C/D	W170B/C/D TC	W170B/C/D LR	W190B/C/D	W190B/C/D LR	REQUIRED EQUIPMENT			
	MAXIMUM OPERATING LOAD SHOWN - LB											JRB COUPLER	ACS COUPLER	3rd FUNC. AUX	HOSE/QD KIT
JIB BOOM, 7' - 11' - Extended	2243	2243	2683	3379	3082	3230	4226	3869	4246			R			
JIB BOOM, 7' - 11' - Retracted	3400	3092	3463	4393	3916	4105	5409	4889	5415			R			
JIB BOOM, 8' - 12' - Extended										4686	4121	R			
JIB BOOM, 8' - 12' - Retracted										5940	5147	R			

FEATURES

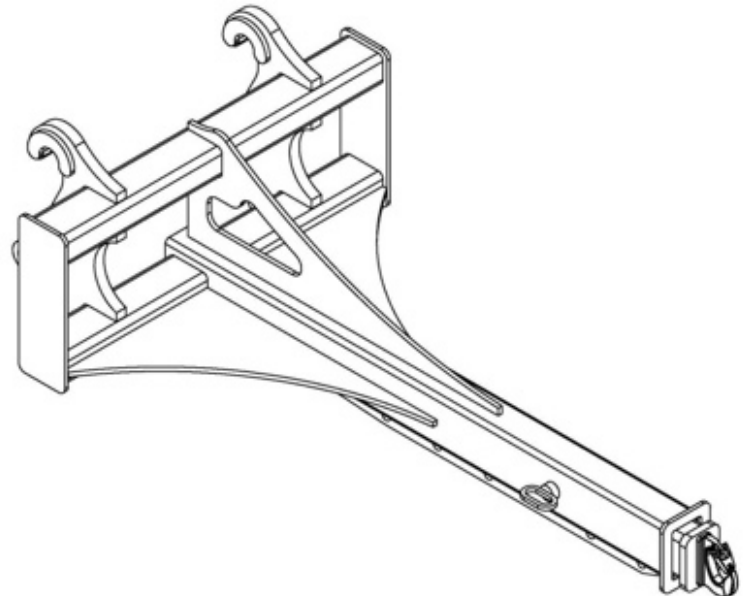
- High strength tubular steel construction
- Easily extendable, one pin manual adjustment
- Versatile lifting loop

APPLICATIONS

- Excellent for long reach material handling applications involving lifting, loading and positioning
- Efficient for handling large diameter, precast pipe
- Time-saving attachment for any job site

REQUIREMENTS FOR OPERATION

- JRB-compatible quick coupler system





ONBOARD SCALE

WHEEL LOADERS

BASE UNIT

	PART NUMBER	WEIGHT LB
WEIGHLOG 3030	47920218	15
LOADLOG 800i ONBOARD SCALE PACKAGE	84161855	32
LOADLOG 8000i ONBOARD SCALE PACKAGE	84161856	32
WEIGHLOG Vue	47923056	27

ADDITIONAL EQUIPMENT (Order as needed):

PRINTER PACKAGE for LoadLog 8000i	84161859	1
PRINTER KIT for WL3030 or WL Vue	84316810	1

MODEL COMPATIBILITY	W110B/C/D	W130B/C/D	W170B/C/D	W190B/C/D
WEIGHLOG 3030	•	•	•	•
LOADLOG 800i	•	•	•	•
LOADLOG 8000i	•	•	•	•
WEIGHLOG Vue	•	•	•	•

APPLICATIONS

- Provides an operational and management record
- Eliminates return trips from the scale of over and under-loaded trucks
- Reduces visits to the weigh scale
- Ensures trucks are correctly loaded the first time
- Improves site safety by eliminating unnecessary vehicle movements
- Weighing 'on the lift' speeds operation, enabling your operators to load more trucks per shift

FEATURES

WL3030

- Easy to use 4.3" color touchscreen display
- Stores up to 30 customers and 30 products
- Load on the go, no stopping the machine or bucket
- Data collection via SD card and USB memory stick
- Single pressure sensor
- Target loads
- Optional printing capability with ICP 300 Printer
- Advanced weighing mode for even greater accuracy
- Large display showing bucket load, target load, customer name, material and time of day



Onboard Scales (Continued next page)



ONBOARD SCALE

WHEEL LOADERS

FEATURES

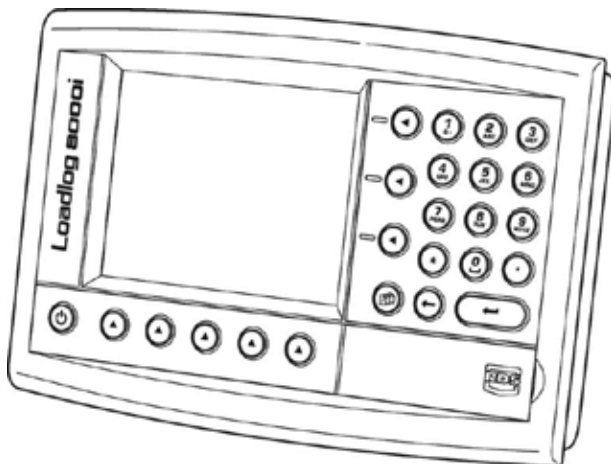
LoadLog 800i

- Automatic, speed-compensated, dynamic weighing
- Static weighing mode
- Accuracy $\pm 2\%$ or better
- Live last bucket tip off facility
- Large display for normal loading operation showing bucket load, target load & time
- Universal mounting bracket allowing adjustment to virtually any angle
- Rugged construction with an integral aluminum chassis enclosed by a heavy-duty ABS case with easy-clean finish
- Multiple attachment calibration
- Overload logging
- Net weighing (container/pallet weighing)
- Backlit LCD graphic display and keypad
- Proven sensor technology

LoadLog 8000i

Same as LoadLog 800i plus:

- Internal database for 200 products and 500 customers
- Display shows additional info: customer name and product
- Batch weighing capability – for uploading pre-programmed blends of materials to produce accurate mixing of batches
- Built in SD card for data collection
- Telemetry capability
- Printer compatible



FEATURES

WL Vue

- Easy to use 7" color touchscreen display
- Data collection via SD card and USB memory stick
- Wireless ready
- Live last bucket tip off at any position
- Load on the go, no stopping the machine or bucket
- Up to 4 pressure sensors
- Target loads
- Optional printing capability with ICP 300 Printer
- Advanced weighing mode for even greater accuracy
- Large display showing bucket load, target load, customer name, material, time of day and more
- Automatic speed compensated dynamic weighing





UTILITY FORK

WHEEL LOADERS

ACS COUPLER

	PART NUMBER	WEIGHT LB
UTILITY FORKS 65" x 48"	47803653	1650
UTILITY FORKS 65" x 60"	47803654	1725
UTILITY FORKS 101" x 72"	47803655	2900

MODEL COMPATIBILITY	W110B/C/D	W110B/C/D TC	W110B/C/D LR	W130B/C/D	W130B/C/D TC	W130B/C/D LR	W170B/C/D	W170B/C/D TC	W170B/C/D LR	W190B/C/D	W190B/C/D LR	REQUIRED EQUIPMENT						
	MAXIMUM OPERATING LOAD SHOWN @ LOAD CENTER INDICATED - LB											JRB COUPLER.	ACS COUPLER	3rd FUNC. AUX	HOSE/QD KIT			
	47803653			47803654				47803655										
	24" LOAD CENTER			30" LOAD CENTER				36" LOAD CENTER										
UTILITY FORKS, 65" x 48" Rough Terrain	6036	5665	5283													R		
UTILITY FORKS, 65" x 48" Firm & Level	8048	7554	7044													R		
UTILITY FORKS, 65" x 60" Rough Terrain				6989	6760	6041	8618	8037	7591							R		
UTILITY FORKS, 65" x 60" Firm & Level				9319	9013	8054	11491	10716	10121							R		
UTILITY FORKS, 101" x 72" Rough Terrain										9776	8182					R		
UTILITY FORKS, 101" x 72" Firm & Level										13035	10909					R		

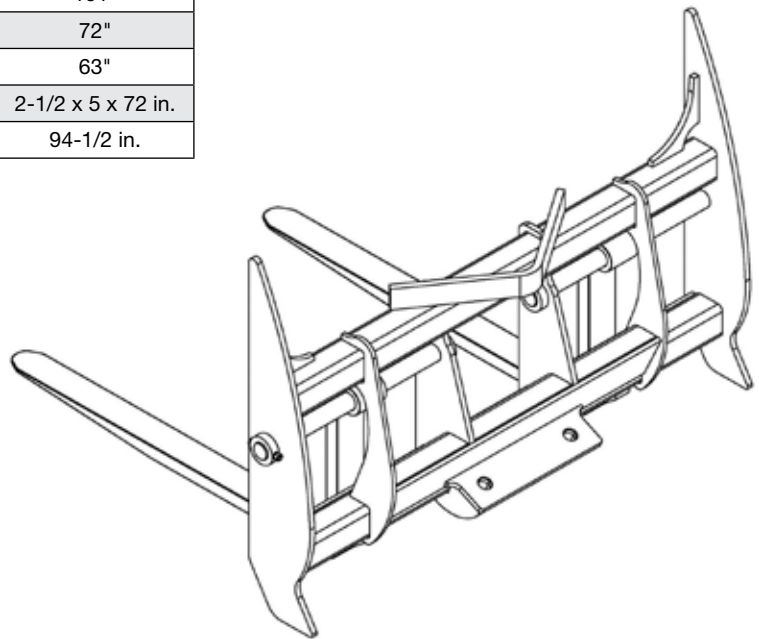
SPECIFICATIONS			
	47803653	47803654	47803655
Frame Width	65"	65"	101"
Tine Length	48"	60"	72"
Frame Height	58"	58"	63"
Tine Size	2 x 5 x 48 in.	2-1/2 x 5 x 60 in.	2-1/2 x 5 x 72 in.
Max. Width Over Tines	58-1/2 in.	58-1/2 in.	94-1/2 in.

FEATURES

- Heat-treated, high tensile strength, forged tines
- Low profile design for maximum visibility to tine tips
- Designed for standard duty / pallet applications
- Tapered tines for easy loading and unloading
- Exceed ISO 2330 and ASME standards

REQUIREMENTS FOR OPERATION

- ACS-compatible quick coupler system





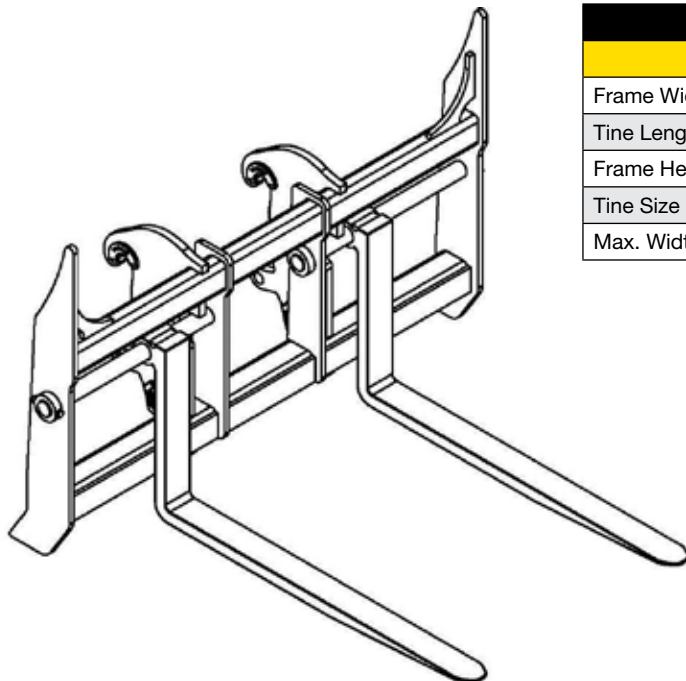
UTILITY FORK

WHEEL LOADERS

JRB COUPLER

	PART NUMBER	WEIGHT LB
UTILITY FORKS, 65" x 48"	47803650	1650
UTILITY FORKS, 65" x 60"	47803651	1725
UTILITY FORKS, 101" x 72"	47803652	2700

MODEL COMPATIBILITY	W110B/C/D	W110B/C/D TC	W110B/C/D LR	W130B/C/D	W130B/C/D TC	W130B/C/D LR	W170B/C/D	W170B/C/D TC	W170B/C/D LR	W190B/C/D	W190B/C/D LR	REQUIRED EQUIPMENT			
	MAXIMUM OPERATING LOAD SHOWN @ LOAD CENTER INDICATED - LB											JRB COUPLER.	ACS COUPLER	3rd FUNC. AUX	HOSE/QD KIT
	47803650			47803651				47803652							
	24" LOAD CENTER			30" LOAD CENTER				36" LOAD CENTER							
UTILITY FORKS, 65" x 48" Rough Terrain	5626	5313	5064									R			
UTILITY FORKS, 65" x 48" Firm & Level	7634	7084	6752									R			
UTILITY FORKS, 65" x 60" Rough Terrain				6869	6048	5951	8173	7901	7434			R			
UTILITY FORKS, 65" x 60" Firm & Level				9159	8064	7935	10897	10534	9912			R			
UTILITY FORKS, 101" x 72" Rough Terrain										9375	7823	R			
UTILITY FORKS, 101" x 72" Firm & Level										12500	10431	R			



SPECIFICATIONS			
	47803650	47803651	47803652
Frame Width	65 in.	65 in.	101 in.
Tine Length	48 in.	60 in.	72 in.
Frame Height	58 in.	58 in.	63 in.
Tine Size	2 x 5 x 48 in.	2-1/2 x 5 x 60 in.	2-1/2 x 5 x 72 in.
Max. Width Over Tines	58-1/2 in.	58-1/2 in.	94-1/2 in.

FEATURES

- Heat-treated, high tensile strength, forged tines
- Low profile design for maximum visibility to tine tips
- Designed for standard duty / pallet applications
- Tapered tines for easy loading and unloading
- Exceed ISO 2330 and ASME standards

REQUIREMENTS FOR OPERATION

- JRB-compatible quick coupler system



WHEEL LOADERS

**THIS PAGE
INTENTIONALLY
LEFT BLANK**

MINI EXCAVATORS







INDEX

MINI EXCAVATORS

Auger	MHEX-2-4
Hydraulic Compactor	MHEX-5
Hydraulic Hammer	MHEX-6-8



AUGER

MINI EXCAVATORS

Base Drive Unit package includes drive head, hoses and hydraulic quick disconnects.
 Must order mount bracket separately for specific excavator model, plus dipper quick disconnect kit and auger bits.

	PART NUMBER	WEIGHT LB
X975H200 AUGER DRIVE UNIT - 2" hex output shaft	87053287	168
X975R256 AUGER DRIVE UNIT - 2-9/16" round output shaft	87053288	168
X1475H200 AUGER DRIVE UNIT - 2" hex output shaft	87053289	170
X1475R256 AUGER DRIVE UNIT - 2-9/16" round output shaft	87053290	170

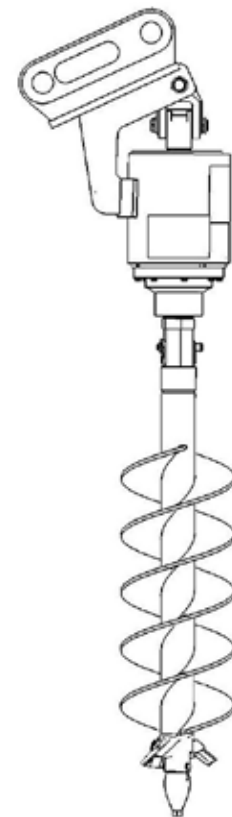
ADDITIONAL COMPONENTS (Cradle or pendulum mount and dipper quick disconnect kit required for complete unit)

QUICK DISCONNECT KIT (includes male and female quick disconnects for dipper)		
Dipper Quick Disconnect kit (B-series and prior)	47451218	5
Dipper Quick Disconnect kit (C-series, stop valve connection)	48080817	5
Dipper Quick Disconnect kit (C-series, bulkhead connection)	48080818	5
PENDULUM MOUNT BRACKETS		
Pendulum Mount for EH15.B/E15/E18B/E17C	87050968	57
Pendulum Mount for EH27.B/E27/E27B/E26C/E30C	87050969	57
Pendulum Mount for EH30.B/EH35.B/E30/E35/E35B/E33C/E37C	87050970	58
Pendulum Mount for EH50.B/E50/E50B/E55BX/E57C/E60C	87050971	61
CRADLE MOUNT BRACKETS		
Cradle Mount for EH15.B/E15/E18B/E17C	48080864	93
Cradle Mount - Universal for all models (requires pin/bushing insert kit, mounting adapter or Klac adapter)	48080865	124
Pin/Bushing/Insert Kit for EH15.B/E15/E18B	47451172	45
Pin/Bushing/Insert Kit for EH27.B/E27/E27B	47451173	45
Pin/Bushing/Insert Kit for EH30.B/EH35.B/E30/E30B/E35/E35B	47451174	45
Pin/Bushing/Insert Kit for EH50.B/E50/E50B/E55BX	47451175	45
Pin/Bushing/Insert Kit for E17C	48058049	31
Pin/Bushing/Insert Kit for E26C/E30C	48058050	36
Pin/Bushing/Insert Kit for E33C/E37C	48058051	36
Pin/Bushing Kit for E57C/E60C (Direct pin-on only)	48120314	20
Mounting Adapter for E57C/E60C (Use with mech or hyd pin grabber coupler)	48058052	151
Klac Coupler adapter for EH15.B/E15/E18B/E17C	47451195	161
Klac Coupler adapter for EH27.B/E27/E27B/E26C/E30C	47451196	176
Klac Coupler adapter for EH30.B/EH35.B/E30/E30B/E35/E35B/EH50.B/E50/E50B/E55BX/E33C/E37C/E57C/E60C	47451197	203

Pendulum Mount



Cradle Mount



Auger Options (Continued next page)



AUGER

MINI EXCAVATORS

AUGER OPTIONS

HDF STYLE AUGERS	PART NUMBER	WEIGHT LB
2-9/16" Round Coupler		
6" X 4' AUGER	9863606	40
9" X 4' AUGER	9863607	86
12" X 4' AUGER	9863608	115
15" X 4' AUGER	9863609	136
18" X 4' AUGER	9863610	176
24" X 4' AUGER	9863611	278

HDF STYLE AUGERS	PART NUMBER	WEIGHT LB
2" Hex Coupler		
6" X 4' AUGER	9863626	40
9" X 4' AUGER	9863627	86
12" X 4' AUGER	9863628	115
15" X 4' AUGER	9863629	136
18" X 4' AUGER	9863630	176
24" X 4' AUGER	9863631	278

HDC STYLE AUGERS	PART NUMBER	WEIGHT LB
2-9/16" Round Coupler		
6" X 4' AUGER	9863614	45
9" X 4' AUGER	9863615	98
12" X 4' AUGER	9863616	128
15" X 4' AUGER	9863617	139
18" X 4' AUGER	9863618	204
24" X 4' AUGER	9863619	272

HDC STYLE AUGERS	PART NUMBER	WEIGHT LB
2" Hex Coupler		
6" X 4' AUGER	9863634	45
9" X 4' AUGER	9863635	98
12" X 4' AUGER	9863636	128
15" X 4' AUGER	9863637	139
18" X 4' AUGER	9863638	204
24" X 4' AUGER	9863639	272

HTF STYLE AUGERS	PART NUMBER	WEIGHT LB
2-9/16" Round Coupler		
18" X 4' AUGER	9863622	144
24" X 4' AUGER	9863623	198

HTF STYLE AUGERS	PART NUMBER	WEIGHT LB
2" Hex Coupler		
18" X 4' AUGER	9863642	144
24" X 4' AUGER	9863643	198

AUGER EXTENSIONS AND ADAPTERS	PART NUMBER	WEIGHT LB
2" HEX FEMALE TO 2-9/16" ROUND MALE	9863646	16
2-9/16" ROUND FEMALE TO 2" HEX MALE	9863647	15
12" EXTENSION, 2-9/16" ROUND	87042598	21
24" EXTENSION, 2-9/16" ROUND	87042600	39
12" EXTENSION, 2" HEX	87042601	20
24" EXTENSION, 2" HEX	87042602	32
48" EXTENSION, 2" HEX	84514060	57

Auger Options (Continued next page)



AUGER

MINI EXCAVATORS

MODEL COMPATIBILITY	E17C	E26C E30C	E33C	E37C	E57C	E60C	REQ. EQUIPMENT		
	EH15.B/ E15/E18B	EH27.B/ E27/E27B	EH30.B/ E30/E30B	EH35.B/ E35/E35B	EH50.B/ E50/E50B	E55BX	DIPPER AUX	MOUNT BRACKET	DIPPER QD KIT
X975 AUGER DRIVE	•	•					R	R	R
X1475 AUGER DRIVE		•	•	•	•	•	R	R	R

SPECIFICATIONS		
	X975	X1475
Flow (gpm)	6-15	10-25
RPM @ max flow	92	96
Max torque @ max flow and pressure (ft-lb)	1500	2377
Planetary Gear Reduction	3.8:1	3.8:1
Max auger diameter	24"	24"
Output shaft	2-9/16" Round	2-9/16" Round
	2" Hex	2" Hex
Warranty - Gearbox	5 Years	5 Years
Warranty - Other, (non-wear)	1 Year	1 Year

FEATURES

- Hydraulic relief valve protects the units from damage when the auger hits large obstruction
- Extensions and adapters available
- The heavy duty all gear design gives these units a long life with minimal maintenance and service costs
- Drive units are completely sealed with all moving components running in oil for total lubrication on a constant basis

APPLICATIONS

- Fencing, construction, nursery and landscaping

REQUIREMENTS FOR OPERATION

- Standard auxiliary hydraulics
- Cradle mount or pendulum mount bracket
- Dipper quick disconnect kit
- Auger bit

HDF STYLE AUGERS

For light to moderate ground conditions

- Fabricated boring head
- Hardened, bolt-on teeth
- Hardened "fishtail" point
- HD double flighting
- 4' overall length



HDC STYLE AUGERS

For difficult ground conditions, compacted soils, heavy clay, asphalt, frozen ground, fracturable rock

- HD cast boring head
- Hardened, drive-in teeth
- Hardened "fishtail" point
- HD double flighting
- 4' overall length



HTF STYLE AUGERS

For tree and shrub planting

- Fabricated boring head
- Two-diameter design
- Hardened, bolt-on teeth
- Hardened "fishtail" point
- HD double flighting
- 4' overall length





HYDRAULIC COMPACTOR

MINI EXCAVATORS

Base Unit includes compactor unit, hoses and quick disconnects.

	PART NUMBER	WEIGHT LB
SC-30T HYDRAULIC COMPACTOR	47808591	450

ADDITIONAL COMPONENTS (Pin/bushing/insert kit or mount adapter and quick disconnect kit required for complete unit)

QUICK DISCONNECT KIT (includes male and female quick disconnects for dipper)		
Dipper Quick Disconnect kit (B-series and prior)	47451218	5
Dipper Quick Disconnect kit (C-series, stop valve connection)	48080817	5
Dipper Quick Disconnect kit (C-series, bulkhead connection)	48080818	5
PIN AND BUSHING KITS		
Pin/Bushing/Insert Kit for EH30.B/EH35.B/E30/E30B/E35/E35B	47451174	45
Pin/Bushing/Insert Kit for EH50.B/E50/E50B/E55BX	47451175	45
Pin/Bushing/Insert Kit for E33C/E37C	48058051	36
Pin/Bushing Kit for E57C/E60C (Direct pin-on only)	48120314	20
Mounting Adapter for E57C/E60C (Use with mech or hyd pin grabber coupler)	48058052	151
KLAC COUPLER ADAPTERS (Pin and Bushing kits not required for these applications)		
Klac Coupler adapter for EH30.B/EH35.B/E30/E30B/E35/E35B/ EH50.B/E50/E50B/E55BX/E33C/E37C/E57C/E60C	47451197	203

MODEL COMPATIBILITY	E17C	E26C E30C	E33C E37C	E57X E60C	REQ. EQUIPMENT		
	EH15.B E15 E18B	EH27.B E27 E27B	EH30.B E30 E30B EH35.B E35 E35B	EH50.B E50 E50B E55BX	DIPPER AUX	PIN/BUSHING KIT OR KLAC ADAPTER	DIPPER QD KIT
SC-30T HYDRAULIC COMPACTOR			•	•	R	R	R

FEATURES

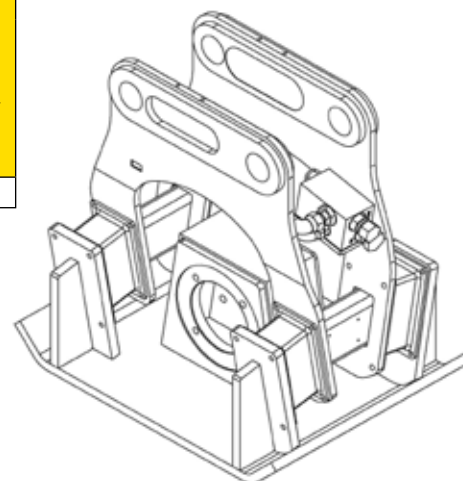
- Direct-drive, heavy-duty gear motor
- Rubber shock mounts
- Box section base plate construction
- Angled shock mount suspension
- Thick formed base plate
- Flow control to prevent over speeding
- Virtually zero-maintenance oil bathed bearings
- Readily adaptable to other compact excavator brands
- 2 year limited warranty

APPLICATIONS

- Utilities, construction, road maintenance
- Ideal for slope compaction

REQUIREMENTS FOR OPERATION

- Uni- or bi-directional auxiliary hydraulics
- Pin/bushing/insert kit, mounting adapter or Klac adapter for specific model
- Dipper quick disconnect kit



SPECIFICATIONS

	SC-30T
Impulse force	3,400 lbs (1540 kg)
Cycles per min.	2100
Operating weight	400 lbs (181 kg)
Base plate size	19 x 20 in (483 x 508 mm)
Input flow	10-25 gpm (38-95 l/min)
Operating Pressure	1500-2100 psi (103-145 bar)

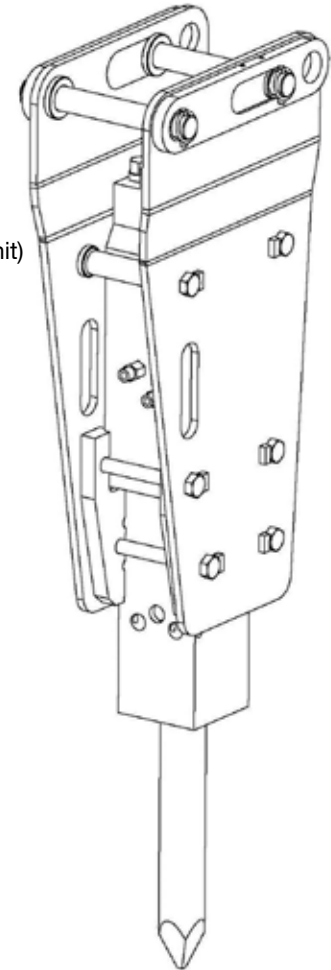


HYDRAULIC HAMMER

MINI EXCAVATORS

Complete base unit includes hammer body, side plates, hoses, quick disconnects andmoil point.

	PART NUMBER	WEIGHT LB
HH-1M HYDRAULIC HAMMER (includes pins)	47451167	237
HH-2M HYDRAULIC HAMMER	47451168	347
HH-3M HYDRAULIC HAMMER	47451169	512
HH-4M HYDRAULIC HAMMER	47451170	615
HH-5M HYDRAULIC HAMMER	47451171	743



HH-3M shown

ADDITIONAL COMPONENTS (Pin/bushing kit and quick disconnect kit required for complete unit)

QUICK DISCONNECT KIT (includes male and female quick disconnects for dipper connection)		
Dipper Quick Disconnect kit (B-series and prior)	47451218	5
Dipper Quick Disconnect kit (C-series, stop valve connection)	48080817	5
Dipper Quick Disconnect kit (C-series, bulkhead connection)	48080818	5
PIN AND BUSHING KITS		
Pin/Bushing/Insert Kit for EH15.B/E15/E18B (use for HH-2M only)	47451172	45
Pin/Bushing/Insert Kit for EH27.B/E27/E27B	47451173	45
Pin/Bushing/Insert Kit for EH30.B/EH35.B/E30/E30B/E35/E35B	47451174	45
Pin/Bushing/Insert Kit for EH50.B/E50/E50B/E55BX	47451175	45
Pin/Bushing/Insert Kit for E17C (use for HH-2M only)	48058049	31
Pin/Bushing/Insert Kit for E26C/E30C	48058050	36
Pin/Bushing/Insert Kit for E33C/E37C	48058051	36
Pin/Bushing Kit for E57C/E60C (Direct pin-on only)	48120314	20
Mounting Adapter for E57C/E60C (Use with mech or hyd pin grabber coupler)	48058052	151
KLAC COUPLER ADAPTERS (Pin and Bushing kits not required for these applications)		
Klac Coupler adapter for EH15.B/E15/E18B/E17C (use for HH-2M only)	47451195	161
Klac Coupler adapter for EH27.B/E27/E27B/E26C/E30C	47451196	176
Klac Coupler adapter for EH30.B/EH35.B/E30/E35/E35B EH50.B/E50/E50B/E55BX/E33C/E37C/E57C/E60C	47451197	203
LUBRICATION SYSTEM (Optional)		
Auto Lube Kit - fits HH-1M to HH-5M	47766709	9

ADDITIONAL COMPONENTS for HH-1M (Order as needed)

Moil Point (1 included with base hammer)	47451178	13
Chisel Point	47451179	13
Blunt Point	47451180	13

ADDITIONAL COMPONENTS for HH-2M (Order as needed)

Moil Point (1 included with base hammer)	47451007	15
Chisel Point	47451008	17
Blunt Point	47451009	17
Frost Wedge (2.0" wide)	47451010	22
Asphalt Cutter (6" wide)	47451011	36
Tamping pad (8" X 8")	47451012	43

Hydraulic Hammers (Continued next page)



HYDRAULIC HAMMER

MINI EXCAVATORS

ADDITIONAL COMPONENTS for HH-3M (Order as needed)

	PART NUMBER	WEIGHT LB
Moil Point (1 included with base hammer)	47451018	26
Chisel Point	47451019	26
Blunt Point	47451021	28
Frost Wedge (2.3" wide)	47451022	39
Asphalt Cutter (6" wide)	47451023	36
Tamping pad (12" X 12")	47451024	119

ADDITIONAL COMPONENTS for HH-4M (Order as needed)

Moil Point (1 included with base hammer)	47451026	33
Chisel Point	47451027	33
Blunt Point	47451028	36
Frost Wedge (2.5" wide)	47451029	42
Asphalt Cutter (6" wide)	47451030	42
Tamping pad (12" X 12")	47451031	126

ADDITIONAL COMPONENTS for HH-5M (Order as needed)

Moil Point (1 included with base hammer)	47451037	48
Chisel Point	47451039	53
Blunt Point	47451040	51
Asphalt Cutter (6" wide)	47451041	71
Tamping pad (12" X 12")	47451042	130



SPECIFICATIONS					
	HH-1M	HH-2M	HH-3M	HH-4M	HH-5M
Impact class (ft-lb)	150	250	350	550	825
Blows per min.	930-1300	600-1150	550-1000	580-1060	550-1000
Operating wt. - lbs. (kg)	240 (109)	348 (158)	502 (228)	561 (273)	733 (332)
Tool diam. - in. (mm)	1.8 (45)	2.0 (51)	2.3 (58)	2.5 (64)	3.0 (76)
Input flow - gpm (l/min)	5.3-7.9 (20-30)	5.3-9.2 (20-35)	6.6-12 (25-45)	8-14.5 (30-55)	9.2-16 (35-61)

MODEL COMPATIBILITY	E17C	E26C E30C	E33C E37C	E57C E60C	REQ. EQUIPMENT		
	EH15.B E15 E18B	EH27.B E27 E27B	EH30.B E30 E30B EH35.B E35 E35B	EH50.B E50 E50B E55BX	DIPPER AUX	PIN/BUSHING KIT OR KLAC ADAPTER	DIPPER QD KIT
CH-1M HYDRAULIC HAMMER	•				R	R	R
CH-2M HYDRAULIC HAMMER	•	•			R	R	R
CH-3M HYDRAULIC HAMMER		•	•	•	R	R	R
CH-4M HYDRAULIC HAMMER			•	•	R	R	R
CH-5M HYDRAULIC HAMMER				•	R	R	R

Hydraulic Hammers (Continued next page)



HYDRAULIC HAMMER

MINI EXCAVATORS

FEATURES

- Only 2 moving parts (piston and control valve) means less maintenance
- Will not dry-fire
- Low pressure gas charge
- Low recoil
- Low hydraulic surge
- Dual tool retainer pins
- Hoses and quick disconnects included
- Moil Point included
- Gas recharge kit included
- Operation/Service Parts Manual
- 3 Year Warranty

APPLICATIONS

- Demolition, construction, utilities, road maintenance

REQUIREMENTS FOR OPERATION

- Standard auxiliary hydraulics
- Pin/bushing/insert kit, mounting adapter or Klac adapter for specific model
- Dipper quick disconnect kit

HAMMER ORDERING GUIDE				
Base Unit Model	Dipper QD Kit	Pin/Bushing/Insert kit or KLAC Adapter	Hammer Model	Points
EH15.B E15 E18B	Dipper QD Kit 47451218	Pin/Bushing/Insert kit 47451172 or KLAC Adapter 47451195	HH-1M 47451167	Optional points
EH27.B E27 E27B		Pin/Bushing/Insert kit 47451173 or KLAC Adapter 47451196	HH-2M 47451168	Optional points
EH30.B EH35.B E30 E30B E35 E35B		Pin/Bushing/Insert kit 47451174 or KLAC Adapter 47451197	HH-3M 47451169	Optional points
EH50.B E50 E50B E55BX		Pin/Bushing/Insert kit 47451175 or KLAC Adapter 47451197	HH-4M 47451170 HH-5M 47451171	Optional points Optional points
E17C	Dipper QD Kit 48080817 or 48080818	Pin/Bushing/Insert kit 48058049 or KLAC Adapter 47451195	HH-1M 47451167	Optional points
E26C E30C		Pin/Bushing/Insert kit 48058050 or KLAC Adapter 47451196	HH-2M 47451168	Optional points
E33C E37C		Pin/Bushing/Insert kit 48058051 or KLAC Adapter 47451197	HH-3M 47451169	Optional points
E57C E60C		Pin/Bushing kit 48120314 (Direct fit only) or Mounting Adapter 48058052 (mech or hyd pin grabber coupler) or KLAC Adapter 47451197 (Klac coupler)	HH-4M 47451170 HH-5M 47451171	Optional points Optional points

TELEHANDLERS







INDEX

TELEHANDLERS

Auger	TLH-2
Boom, Truss	TLH-3
Broom, Angle	TLH-4
Broom, Collector	TLH-5
Buckets, Light Material	TLH-6
Carriage and Pallet Fork	TLH-7-8



AUGER TELEHANDLERS

Drive unit includes mounting bracket, hoses, and hydraulic couplers.

AUXILIARY HYDRAULICS REQUIRED	PART NUMBER	WEIGHT LB
X1475H200 AUGER DRIVE UNIT, 2" hex output shaft	87620145	370

AUGER OPTIONS

HDF STYLE AUGERS	PART NUMBER	WEIGHT LB
2" Hex Coupler		
6" X 4' Auger	9863626	40
9" X 4' Auger	9863627	86
12" X 4' Auger	9863628	115
15" X 4' Auger	9863629	136
18" X 4' Auger	9863630	176
24" X 4' Auger	9863631	278
30" X 4' Auger	9863632	325

AUGER EXTENSIONS	PART NUMBER	WEIGHT LB
12" extension, 2" hex	87042601	20
24" extension, 2" hex	87042602	32
48" extension, 2" hex	84514060	57

MODEL COMPATIBILITY	M427	M428	M459	REQ'D EQUIP.
				AUX. HYD.
X1475 DRIVE UNIT	•	•	•	R

SPECIFICATIONS	
Auger Model	X1475
Flow (gpm)	10 - 25
RPM @ max flow	96
Max Torque @ max flow and pressure (ft-lb)	2377
Gear Reduction	3.8:1
Max auger diameter	30"
Output shaft	2" Hex
Warranty - Gearbox	5 Years
Warranty - Other, (non-wear)	1 Year



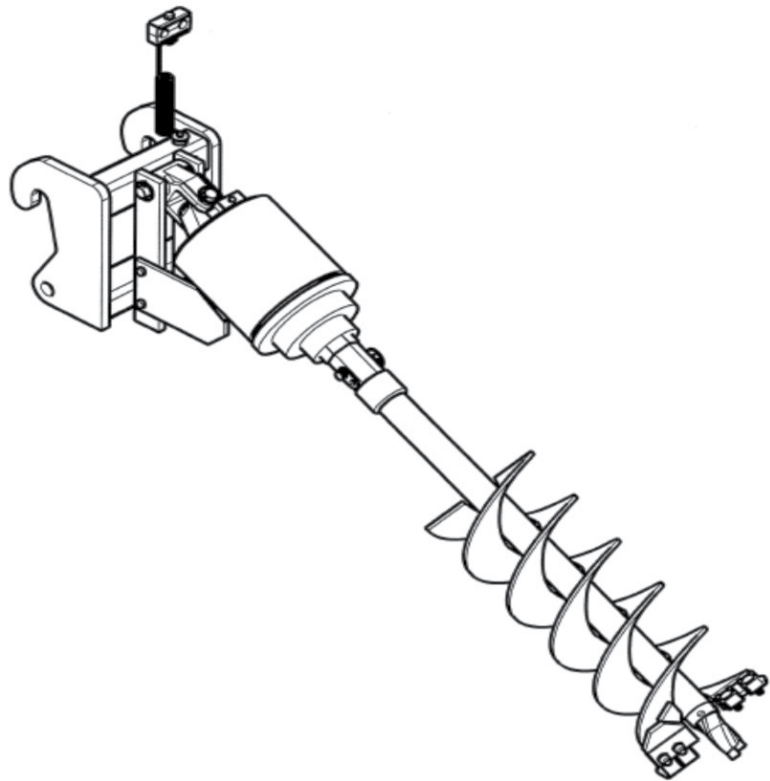
HDF Style

FEATURES

- Planetary drive
- 5 Year Warranty on gearbox
- All base units include mounting bracket with drive head, hoses, and hydraulic quick disconnects
- 2" hex output shaft
- Auger bit is not included with base unit – order separately

APPLICATIONS

- Ideal for boring holes for posts, deck footers, trees, shrubs and soil sampling





BOOM, TRUSS

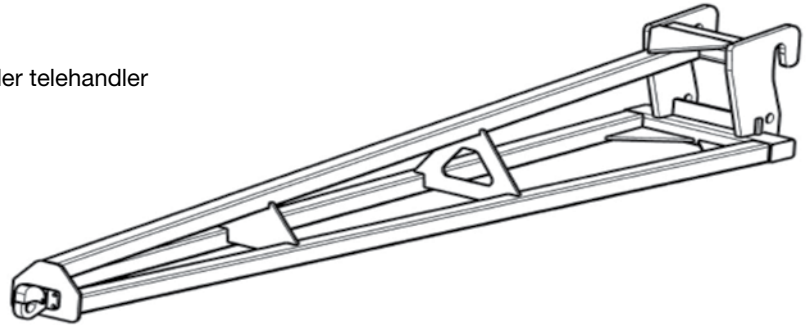
TELEHANDLERS

	PART NUMBER	WEIGHT LB
TRUSS BOOM	87637921	700

MODEL COMPATIBILITY	M427	M428	M459	REQ'D EQUIP.
				AUX. HYD.
TRUSS BOOM	•	•	•	

FEATURES

- Fully welded square tube design
- Low profile frame. Can be loaded on trailer under telehandler
- Bolt-on Pintle hook
- 12' reach
- 2,000 lb. lift rating
- Ideal for placing trusses





BROOM, ANGLE

TELEHANDLERS

BASE UNIT includes mounting brackets, hoses, quick disconnects and parking stands.

REQUIRES STANDARD AUXILIARY BOOM HYDRAULICS	PART NUMBER	WEIGHT LB
108" ANGLE BROOM	84215711	1655

REPLACEMENT BRUSH SETS

Poly/wire brush set for 108" broom	84376841	220
------------------------------------	----------	-----

MODEL COMPATIBILITY	M427	M428	M459	REQ'D EQUIP.
				AUX. HYD.
108" ANGLE BROOM	•	•	•	R

FEATURES

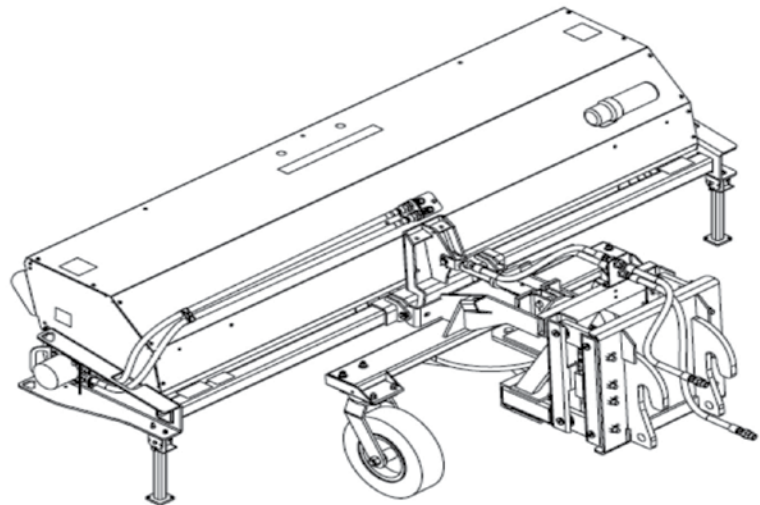
- Manual angle 30° left or right
- Poly-wire combination brush, 32" diameter
- Adjustable broom head
- Integral water nozzle mounting for water application
- Caster wheels – Pneumatic 4.80-8 tires
- Bolt together hood for simple, less costly replacement if damaged
- Quick change brush without breaking hydraulic lines
- Parking stands

APPLICATIONS

- Street cleaning & parking lot maintenance, road maintenance clean-up, bridge deck clean-up, jobsite clean-up
- Snow removal

REQUIREMENTS FOR OPERATION

- Auxiliary hydraulics





BROOM, COLLECTOR

TELEHANDLERS

REQUIRES STANDARD AUXILIARY BOOM HYDRAULICS	PART NUMBER	WEIGHT LB
96" COLLECTOR BROOM	87620144	1850

REPLACEMENT BRUSH SETS

Poly/wire brush set for 96" broom	84376837	145
-----------------------------------	----------	-----

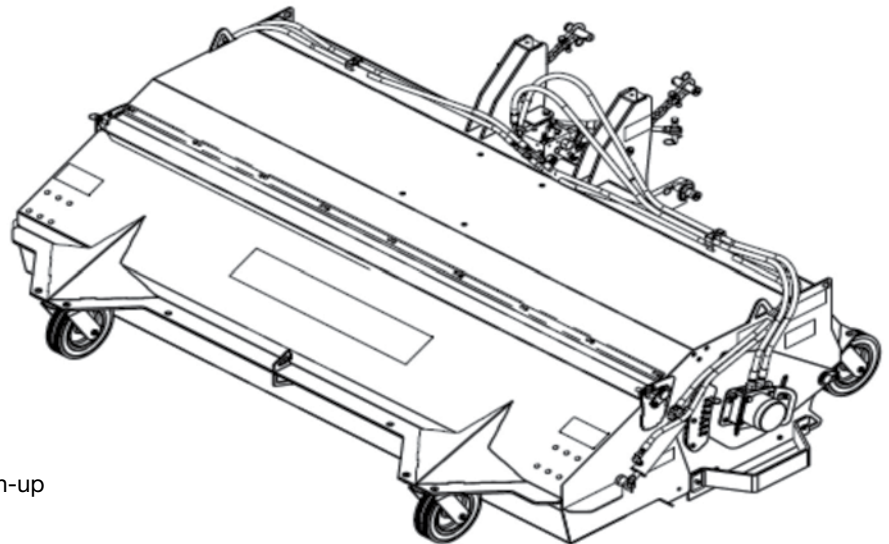
MODEL COMPATIBILITY	M427	M428	M459	REQ'D EQUIP.
				AUX. HYD.
96" COLLECTOR BROOM	•	•	•	R

FEATURES

- 26" diameter brush
- Parallel arm floating
- Suspension with 4 caster wheels allow sweeper to follow ground contour independent of base unit
- No chains or additional connections to base unit, no electrical connection required
- Hopper dumps by reversing hydraulic flow
- Forward sweeping action into the front-mounted collector hopper
- E-Z change brush pattern and floating brush

APPLICATIONS

- Street cleaning & parking lot maintenance, road maintenance clean-up and jobsite clean-up





BUCKET, LIGHT MATERIAL

TELEHANDLERS

	PART NUMBER	WEIGHT LB
BUCKET, LIGHT MATERIAL, 96" (1.25 yd ³)	87620141	931
BUCKET, LIGHT MATERIAL, 96" (2.5 yd ³)	87620142	1416

ADDITIONAL EQUIPMENT (Order as Needed)

Bolt-On Cutting Edge, 96"	87649854	210
---------------------------	----------	-----

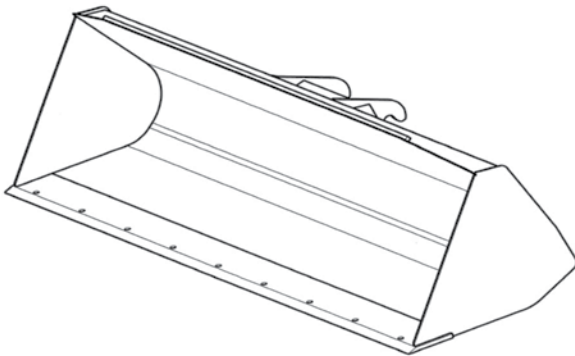
MODEL COMPATIBILITY	M427	M428	M459	REQ'D EQUIP.
				AUX. HYD.
BUCKET, LM, 96" (1.25 YD ³)	•	•	•	
BUCKET, LM, 96" (2.5 YD ³)	•	•	•	

FEATURES

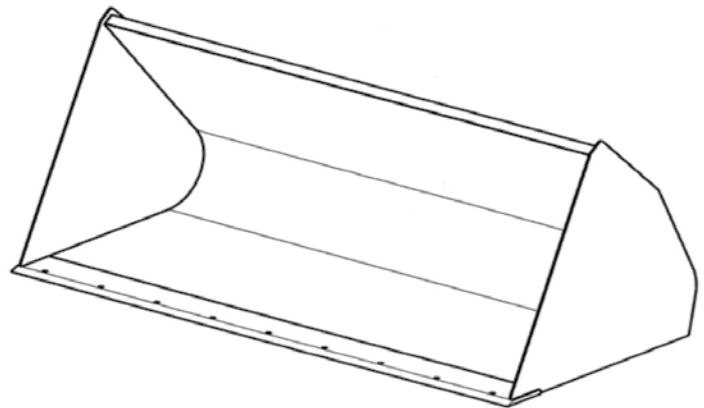
- Rolled shell for easy filling & clean-up
- Full cross member torque tubes top and bottom for long term durability
- Abrasion resistant cutting edge with punched holes for optional bolt-on edge
- High capacity allows for handling loose materials with ease

APPLICATIONS

- Ideal for snow and light construction materials



1.25 yd³ Bucket



2.5 yd³ Bucket



CARRIAGE AND PALLET FORK

TELEHANDLERS

Base unit includes hoses and quick disconnects, if required.

AUXILIARY HYDRAULICS REQUIRED FOR TILT, SIDESHIFT AND SWING CARRIAGES	PART NUMBER	WEIGHT LB
STANDARD CARRIAGE – 48" wide	87620132	515
STANDARD CARRIAGE – 60" wide	87620133	570
STANDARD CARRIAGE – 72" wide	87620134	665
TILT CARRIAGE – 48" wide	87620135	750
TILT CARRIAGE – 60" wide	87620136	800
TILT CARRIAGE – 72" wide	84271094	920
SIDE SHIFT CARRIAGE – 48" wide	84270393	805
SIDE SHIFT CARRIAGE – 60" wide	84270394	860
SWING CARRIAGE – 72" wide	87620137	1075

FORK SETS (Must order one for complete unit)

Pallet Fork Set (2) - 2"x 4"x 48" (8000 lb capacity)	87620138	335
Pallet Fork Set (2) - 2"x 4"x 60" (8000 lb capacity)	87716394	392
Pallet Fork Set (2) - 2"x 5"x 48" (10,000 lb capacity)	87709856	400
Pallet Fork Set (2) - 2"x 5"x 60" (10,000 lb capacity)	87716395	475
Lumber Fork Set (2) - 1-3/4"x 7"x 60" (10,000 lb capacity)	87620139	534
Block Fork Set (6) - 2"x 2"x 48" (12,600 lb capacity)	87620140	475

MODEL COMPATIBILITY	M427	M428	M459	REQ'D EQUIP.
				AUX. HYD.
STANDARD CARRIAGE – 48" wide	•	•	•	
STANDARD CARRIAGE – 60" wide	•	•	•	
STANDARD CARRIAGE – 72" wide	•	•	•	
TILT CARRIAGE – 48" wide	•	•	•	R
TILT CARRIAGE – 60" wide	•	•	•	R
TILT CARRIAGE – 72" wide	•	•	•	R
SIDE SHIFT CARRIAGE – 48" wide	•	•	•	R
SIDE SHIFT CARRIAGE – 60" wide	•	•	•	R
SWING CARRIAGE – 72" wide	•	•	•	R
Pallet Fork Set (2) - 2" x 4" x 48"	•	•		
Pallet Fork Set (2) - 2" x 4" x 60"	•	•		
Pallet Fork Set (2) - 2" x 5" x 48"	•	•	•	
Pallet Fork Set (2) - 2" x 5" x 60"	•	•	•	
Lumber Fork Set (2) - 1-3/4" x 7" x 60"	•	•	•	
Block Fork Set (6) - 2" x 2" x 48"	•	•	•	

Carriage and Pallet Forks (Continued next page)

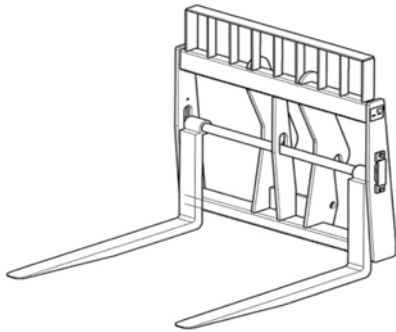


CARRIAGE AND PALLET FORK

TELEHANDLERS

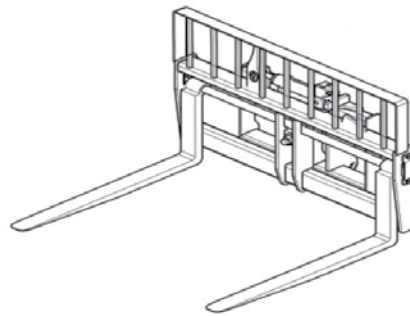
Standard Carriages

- Full floating pin design allows easy pick-up on uneven surfaces
- Widths – 48", 60" & 72"



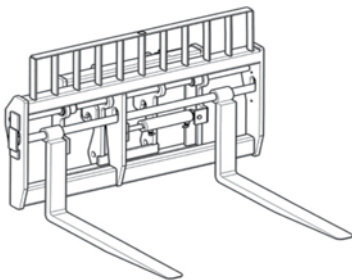
Tilt Carriages

- Full floating pin design for easy pick-up on uneven surfaces
- 10° side tilt both left & right (20° overall) for material leveling
- Counterbalance cylinders hold carriage in position when pressure loss is sensed
- Widths – 48", 60" & 72"



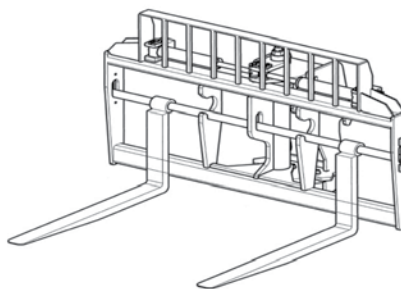
Side Shift Carriages

- Full floating pin design for easy pick-up on uneven surfaces
- 4" side shift both left and right to place material into confined areas
- Widths – 48" & 60"



Swing Carriages

- Full floating pin design for easy pick-up on uneven surfaces
- Swing 50° left or right (100° total) to place material in confined areas
- Counterbalance cylinders hold carriage in position when pressure loss is sensed
- Standard 72" width



MANUFACTURER'S WARRANTIES







MANUFACTURER'S WARRANTIES

AMMBUSHER , INC.

Phone:

- Parts: (800) 432-5955
- Service: (800) 432-5955
- Warranty: (800) 432-5955

Attachments: Post Puller , Ammbusher Rotary Cutter

POST PULLER WARRANTY

AMMBUSHER, Inc. warrants each new product to be free from defects in material and workmanship. For 90 days from the date of purchase, when the attachment has been maintained and lubricated in accordance with the operating and maintenance instructions in the Owners Manual, AMMBUSHER replace free of charge, any defect in material or workmanship in this product.

This warranty does not cover:

This warranty excludes cam clamps and replaceable jaws on the V-brace, which are expendable and become worn during normal use.

Repairs on the POST PULLER because of alteration, an accident, or operator abuse or negligence, including the failure to maintain and operate the equipment according to instructions contained in the Owners Manual, or if repairs have been made with parts other than those obtainable through AMMBUSHER, Inc.

AMMBUSHER ROTARY CUTTER WARRANTY

AMMBUSHER, Inc. warrants each new product to be free from defects in material and workmanship. For 90 days from the date of purchase, when the attachment has been maintained and lubricated in accordance with the operating and maintenance instructions in the Owners Manual, AMMBUSHER replace free of charge, any defect in material or workmanship in this product.

This warranty does not cover:

This warranty excludes blades, which are expendable and become worn during normal use.

Repairs on the motor, gearbox or couplers because of alteration, an accident, or operator abuse or negligence, including the failure to maintain and operate the equipment according to instructions contained in the Owners Manual, or if repairs have been made with parts other than those obtainable through AMMBUSHER, Inc.

Disassembly of motor will void motor warranty.

Our obligation under this warranty shall be limited to repairing or replacing, free of charge to the original purchaser, any part that in our judgement shows evidence of a defect, provided the part is routed through the dealer and distributor from whom the purchase was made, transportation charges prepaid.

This warranty shall not be interpreted to render us liable for injury or damages of any kind. This warranty does not extend to any expense or loss incurred for labor supplies, substitute machinery rental or any other reason.

This warranty is subject to any existing condition of supply which may directly affect our ability to obtain materials or manufacture replacement parts.

AMMBUSHER, Inc. reserves the right to make improvements in design or changes in specifications at any time without incurring any obligations to owners of units previously sold.

No one is authorized to alter, modify or enlarge this warranty nor the exclusions, limitations and reservations.

Every AMMBUSHER product is the highest quality. If you wish to contact us regarding this product, please call toll free between 8:00 a.m. and 4:30 p.m. EST, Monday through Friday. 1-800-432-5955.



MANUFACTURER'S WARRANTIES

AMMBUSHER INC.

Phone:

- Parts: (800) 432-5955
- Service: (800) 432-5955
- Warranty: (800) 432-5955

LIMITED WARRANTY

AMMBUSHER, Inc. warrants each new product to be free from defects in material and workmanship. For 90 days from the date of purchase, when the attachment has been maintained and lubricated in accordance with the operating and maintenance instructions in the Owners Manual, AMMBUSHER replace free of charge, any defect in material or workmanship in this product.

This warranty does not cover:

This warranty excludes blades, which are expendable and become worn during normal use.

Repairs on the motor, gearbox or couplers because of alteration, an accident, or operator abuse or negligence, including the failure to maintain and operate the equipment according to instructions contained in the Owners Manual, or if repairs have been made with parts other than those obtainable through AMMBUSHER, Inc.

Disassembly of motor will void motor warranty.

Our obligation under this warranty shall be limited to repairing or replacing, free of charge to the original purchaser, any part that in our judgement shows evidence of a defect, provided the part is routed through the dealer and distributor from whom the purchase was made, transportation charges prepaid.

This warranty shall not be interpreted to render us liable for injury or damages of any kind. This warranty does not extend to any expense or loss incurred for labor supplies, substitute machinery rental or any other reason.

This warranty is subject to any existing condition of supply which may directly affect our ability to obtain materials or manufacture replacement parts.

AMMBUSHER, Inc. reserves the right to make improvements in design or changes in specifications at any time without incurring any obligations to owners of units previously sold.

No one is authorized to alter, modify or enlarge this warranty nor the exclusions, limitations and reservations.

Every AMMBUSHER product is the highest quality. If you wish to contact us regarding this product, please call toll free between 8:00 a.m. and 4:30 p.m. EST, Monday through Friday. 1-800-432-5955.



MANUFACTURER'S WARRANTIES

ARCTIC INC.

Bradley, IL 60915
Phone:
• Warranty: (800) 242-3766

Attachments: Sectional Snow Pusher

What's Covered At-A-Glance

Not Covered

- Failure resulting from abuse
- Improper service
- Misuse
- Negligence
- Accidental impact
- Improper operation
- Wear parts, including:
 - Wear shoes
 - Hardware
 - Cutting edges
 - Poly mounting blocks
- Injury
- Death
- Loss of revenue or profit

Covered

- Welds
- Defective workmanship

Warranty Policy

Manufacturer warrants the Sectional Sno-Plow™ to be free of defects of material and workmanship for a period of two (2) years from the date of delivery by the customer. During this period, the user is responsible for informing the manufacturer of any problems within 10 days of the problem(s). Dealer/Distributor must notify the manufacturer by phone, fax or e-mail. The original warranty card must be returned to the manufacturer. **(Failure to return a fully completed warranty registration card, with proof of purchase, within 30 days upon receiving a new Sectional Sno-Plow™ will void warranty.)**

The manufacturer will not warranty any wear parts such as wear shoes, poly mounting blocks, torsion springs, hardware and cutting edges. Warranty excludes failure resulting from abusive and improper service, misuse, negligence and accidental impact, including any non-factory repair or alteration. The manufacturer will void all warranties specific or implied.

All claims must be discussed with a representative of the manufacturer prior to any repairs, or warranty will be void. Recommended repairs and costs are to be discussed with and agreed upon by a manufacturer's representative. Repair or labor (at an agreed rate) will be performed by a manufacturer's specified dealer, and at a repair shop designated by the manufacturer. The repair or replaced product shall be guaranteed for the applicable warranty's remaining period. All shipping costs associated with any repairs are the customer's responsibility.



MANUFACTURER'S WARRANTIES

BEARCAT

Attachments: Chippers

West Fargo, ND 58078

Phone:

- Parts: (800) 237-7335
- Service: (800) 237-7335
- Warranty: (800) 237-7335

Limited Warranty

This warranty applies to all AG and Outdoor Power Equipment manufactured by Crary Industries.

Crary Industries warrants to the original owner each new Crary Industries product to be free from defects in material and workmanship, under normal use and service. The warranty shall extend 1 year from date of delivery for income producing (commercial) applications and 2 years from date of delivery for non-income producing (consumer) use of the product. The product is warranted to the original owner as evidenced by a completed warranty registration on file at Crary Industries. Replacement parts are warranted for (90) days from date of installation.

The warranty registration must be completed and returned to Crary Industries within 10 days of delivery of the product to the original owner or the warranty will be void.

In the event of a failure, return the product, at your cost, along with proof of purchase to the selling Crary Industries dealer. Crary Industries will, at its option, repair or replace any parts found to be defective in material or workmanship. Warranty on any repairs will not extend beyond the product warranty. Repair or attempted repair by anyone other than a Crary Industries dealer as well as subsequent failure or damage that may occur as a result of that work will not be paid under this warranty. Crary Industries does not warrant replacement components not manufactured or sold by Crary Industries.

- This warranty applies only to parts or components that are defective in material or workmanship.
- This warranty does not cover normal wear items including but not limited to bearings, belts, pulleys, filters and chipper knives.
- This warranty does not cover normal maintenance, service or adjustments.
- This warranty does not cover depreciation or damage due to misuse, negligence, accident or improper maintenance.
- This warranty does not cover damage due to improper setup, installation or adjustment.
- This warranty does not cover damage due to unauthorized modifications of the product.
- Engines are warranted by the respective engine manufacturer and are not covered by this warranty.

Crary Industries is not liable for any property damage, personal injury or death resulting from the unauthorized modification or alteration of a Crary product or from the owner's failure to assemble, install, maintain or operate the product in accordance with the provisions of the Owner's manual.

Crary Industries is not liable for indirect, incidental or consequential damages or injuries including but not limited to loss of crops, loss of profits, rental of substitute equipment or other commercial loss.

This warranty gives you specific legal rights. You may have other rights that may vary from area to area.

Crary Industries makes no warranties, representations or promises, expressed or implied as to the performance of its products other than those set forth in this warranty. Neither the dealer nor any other person has any authority to make any representations, warranties or promises on behalf of Crary Industries or to modify the terms or limitations of this warranty in any way. Crary Industries, at its discretion, may periodically offer limited, written enhancements to this warranty.

Crary Industries reserves the right to change the design and/or specifications of its products at any time without obligation to previous purchasers of its products.



MANUFACTURER'S WARRANTIES

BURCHLAND

Attachments: Silt Fence Installer

Gilman, IA 50106

Phone:

- Parts: (641) 498-2063
- Service: (641) 498-2063
- Warranty: (641) 498-2063

LIMITED WARRANTY FOR NEW BURCHLAND MFG. EQUIPMENT

The manufacturer warrants to the original retail purchaser that this product is free from defects in material and workmanship and agrees to repair or replace, at manufacturer's discretion, any defective product free of charge within 1 year from the date of purchase.

This warranty is not transferable and does not cover damage resulting from defects other than in material or workmanship, or damage caused by unreasonable use, including the failure to provide reasonable and necessary maintenance. Also, the warranty obligations do not apply to conditions resulting from misuse, alteration or accident. In addition, this warranty does not cover replacement of parts that may wear and need to be replaced with reasonable use within the warranty period or which may require replacement in connection with normal maintenance. This warranty terminates once the product has been altered or repaired by others without Burchland's express written consent.

SAVE YOUR SALES SLIP

Proof of purchase in the form of your dated sales receipt, cash register slip, etc. showing the serial number and the model of your product will be required before our dealers can perform warranty service on the product. You must at your own expense, arrange to deliver or ship the product for warranty repairs and arrange for pickup or return of the product after repairs have been made.

THIS LIMITED WARRANTY IS IN LIEU OF ALL OTHER EXPRESS WARRANTIES. ANY IMPLIED WARRANTY OF FITNESS FOR A PARTICULAR PURPOSE, MERCHANTABILITY OR OTHERWISE, SHALL BE EXCLUDED AND HEREBY DISCLAIMED. THE MANUFACTURER SHALL NOT BE LIABLE FOR ANY SPECIAL, INCIDENTAL OR CONSEQUENTIAL DAMAGES INCLUDING LOSS OF PROFITS LOSS OF PRODUCTION OR ANY DELAY ARISING IN CONNECTION WITH THE INABILITY TO USE THE PRODUCTS.

HOW TO OBTAIN WARRANTY SERVICE

Warranty service can be obtained from a Burchland dealer authorized to make warranty repairs. If you need warranty service, check first with the dealer from whom you purchased the product.

The manufacturer will not make any reimbursements for warranty service, except to Burchland dealers authorized to make warranty repairs. You must present your sales receipt when making any claim for warranty service.

This warranty gives you specific legal rights, and you may also have other rights which vary from state to state.

If you have any questions regarding your warranty rights and responsibilities, you should contact your Burchland dealer or Burchland Mfg. Inc. at 641-498-2063.



MANUFACTURER'S WARRANTIES

CASCADE

Attachments: Hydraulic Positioning Pallet Forks, Full-Back Pallet Fork Frame, Pallet Fork Tines

Findlay, OH 45840

Phone:

- Warranty: (800) 227-2233

WARRANTY POLICY

Cascade: warrants its products to conform to published specifications as found in its quotations, specification sheets, brochures and price lists.

Cascade New Products: consisting of attachments, forks, and genuine Cascade parts are warranted for 36 months following date of installation. Construction attachments are warranted for 12 months following date of installation.

What Cascade will do: Cascade will repair or replace, at its option, any part that a Cascade inspection reveals to be defective in materials or workmanship.

What Dealers and Customers must do: To preserve Cascade's Warranty, Dealers and Customers must carefully follow applicable Cascade Installation Instructions, Service Manuals and Operator Guides when maintaining and operating Cascade equipment. Customers must obtain written authorization for repairs or maintenance other than removal or replacement of defective parts. Unauthorized repairs, modifications, or alterations, use of parts not provided by Cascade, or failure to follow Cascade's Installation Instructions, Service Manuals and Operator Guides will result in loss of Warranty and Customers assumption of all liability resulting from the repair, maintenance, modification or alteration.

Exclusions: Cascade assumes no responsibility for loss, damage or injury to person or property, or for consequential damages, resulting from the possession or use of its products. Cascade's warranty does not cover wear, tear, abnormal applications, normal or scheduled maintenance. THERE ARE NO WARRANTIES EITHER EXPRESS OR IMPLIED INCLUDING ANY WARRANTY OF FITNESS FOR A PARTICULAR PURPOSE WHICH EXTEND BEYOND THOSE STATED IN THIS WARRANTY AND THE PRODUCT DESCRIPTION ON THE FACE OF CASCADE'S ORDER ACKNOWLEDGEMENT.



MANUFACTURER'S WARRANTIES

GROUSER PRODUCTS, INC.

Attachments: Dozer Blades, Steel Tracks

West Fargo, ND 58078

Phone:

- Parts: (800) 747-6182
- Service: (800) 747-6182
- Warranty: (800) 747-6182

Warranty

Grouser Products, Inc. warrants its Track and Dozers for one year against defective material or workmanship. The warranty is for repair or replacement of those parts that are deemed defective by Grouser Products. Any modification to the Dozer, Track or parts without proper authorization voids the warranty. Any product returned to Grouser Products for warranty inspection must be shipped freight prepaid and will be returned freight collect unless authorized otherwise. All costs for removal and installation are at customer's expense. Grouser Products warranty does not cover damages to loader, loader tires, or the environment resulting from use. Tire sizes can and do vary in width and height, which can cause tire damage or a clearance problem. It is the responsibility of the customer to determine that final fit up, including clearances and safety shielding is correct. There is no other warranty.

If you have any questions pertaining to this warranty or tire fit please call Grouser Products:

800-747-6182 or 701-282-7710

E-mail: grouser@grouser.com

Web: www.grouser.com



MANUFACTURER'S WARRANTIES

RDS TECHNOLOGY LTD./ LOUP ELECTRONICS

Attachments: Load Monitors, Onboard Scales

Lincoln, NE 68506

Phone:

- Parts: (402) 464-7131
- Service: (402) 464-7131
- Warranty: (402) 464-7131

LOUP ELECTRONICS WARRANTY & SERVICE AGREEMENT

Loup Electronics warrants to the original purchaser that, if any part of the product proves defective in material or workmanship within one (1) Year from the date of purchase, and is returned to Loup Electronics within 30 days after the defect is discovered, Loup Electronics will (at its option) repair or replace said part. Products shipped to Loup Electronics freight prepaid will be returned freight prepaid. Products shipped to Loup Electronics freight collect will be returned freight collect.

LIMITATIONS

Warranty does not apply to parts or products that are damaged as a result of misuse, neglect, accident or fire, or of lightning, flooding or other acts of God, or by improper installation or maintenance, of which Loup Electronics will be the sole judge. Warranty does not apply to parts or products that have been modified by unauthorized party that has in Loup Electronics' judgement affected their performance or reliability. Warranty does not apply if parts or product substantially fulfills the performance specifications.

EXCLUSION OF OTHER WARRANTIES AND REMEDIES

THIS WARRANTY IS IN LIEU OF AND EXCLUDES ALL OTHER WARRANTIES EITHER EXPRESS OR IMPLIED BY OPERATION OF LAW OR OTHERWISE. THE SOLE AND EXCLUSIVE REMEDY AGAINST LOUP ELECTRONICS SHALL BE FOR THE REPAIR OR REPLACEMENT OF DEFECTIVE PARTS AS PROVIDED, AND NO OTHER REMEDY (INCLUDING BUT NOT LIMITED TO INCIDENTAL, SPECIAL, INJURY TO PERSONS OR PROPERTY, OR ANY OTHER LOSS) SHALL BE AVAILABLE. Loup Electronics neither assumes nor authorizes anyone to assume for it any other obligation or liability in connection with said part or product.

SERVICE

In warranty and Out of warranty service is available through Loup Electronics or Loup Electronics authorized and trained warranty & service depots.



MANUFACTURER'S WARRANTIES

PALADIN

Attachments: All other attachments

(excluding attachments provided by other manufacturers)

Dexter, MI

Phone:

- Parts (800) 922-2981 ext 21314
- Service (800) 922-2981 ext 21341
- Warranty: (800) 922-2981 ext 21341

Light Construction Equipment

OEM Limited Warranty

All new Paladin Light Construction Equipment products are warranted to be free from defects in materials or workmanship which may cause failure under normal usage and service when used for the purpose intended.

In the event of failure within twelve (12) months from initial retail sale, lease or rental date (excluding cable, ground engaging parts such as sprockets, digging chain, bearings, teeth, tamping and demolition heads, blade cutting edges, pilot bits, auger teeth, auger heads & broom bristles), if after examination, Paladin determine failure was due to defective material and/or workmanship, parts will be repaired or replaced. Paladin may request defective part or parts be returned prepaid to them for inspection at their place of business.

Any claims under this warranty must be made within fifteen (15) days after the Buyer learns of the facts upon which such claim is based. All claims not made in writing and received by Paladin within the time period specified above shall be deemed waived.

THIS WARRANTY IS IN LIEU OF ALL OTHER WARRANTIES EXPRESSED OR IMPLIED AND THERE ARE NO WARRANTIES OF MERCHANTABILITY OR OF FITNESS FOR A PARTICULAR PURPOSE. IN NO EVENT SHALL PALADIN BE LIABLE FOR CONSEQUENTIAL OR SPECIAL DAMAGE.

PALADIN'S LIABILITY FOR ANY AND ALL LOSSES AND DAMAGES TO BUYER, RESULTING FROM ANY CAUSE WHATSOEVER, INCLUDING PALADIN'S NEGLIGENCE, IRRESPECTIVE OF WHETHER SUCH DEFECTS ARE DISCOVERABLE OR LATENT, SHALL IN NO EVENT EXCEED THE PURCHASE PRICE OF THE PARTICULAR PRODUCTS WITH RESPECT TO WHICH LOSSES OR DAMAGES ARE CLAIMED, OR, AT THE ELECTION OF PALADIN, THE REPAIR OR REPLACEMENT OF DEFECTIVE OR DAMAGED PRODUCTS.



MANUFACTURER'S WARRANTIES

TOKU AMERICA

Attachments: Hydraulic Compactors, Hydraulic Hammers

Willoughby, Ohio 44094

Phone:

- Service, Warranty: (440) 954-9923
- Fax: (440)-954-9929

LIMITED THREE-YEAR WARRANTY FOR HYDRAULIC HAMMERS (TNB-08M – TNB-7E)

The manufacturer warrants its Products against defects in material and workmanship. Such **LIMITED** warranty shall apply to the initial Purchaser only. Components (including brackets) carry a **THREE-YEAR LIMITED WARRANTY (except seals and exclusions listed below)**. **Seals are warranted for a period of ONE (1) YEAR**. All Warrantees begin from date of sale to the original retail end-user or the initial rental service of the hammer.

ITEMS EXCLUDED FROM THIS WARRANTY

Normal wear items such as tools (moil, chisel, blunt, tamper, frost wedge and asphalt cutter), tool bushings, retainer pins, hoses, hose adapters, fasteners and accessories are **excluded** from any and all warrantees.

LIMITED TWO-YEAR WARRANTY FOR HYDRAULIC COMPACTORS

The manufacturer warrants its Products against defects in material and workmanship. Such **LIMITED** warranty shall apply to the initial Purchaser only. Body and internal components carry a **TWO-YEAR LIMITED WARRANTY**. All Warrantees begin from date of sale to the original retail end-user or the initial rental service of the compactor.

ITEMS EXCLUDED FROM THIS WARRANTY

Normal wear items such as seals (seals are considered wear parts), tool bushings, retainer pins, hoses, hose adapters, fasteners and accessories are **excluded** from any and all warrantees.

WARRANTY LIMITATIONS

This warranty will be in effect only if:

1. The Purchaser or his agent has the product installed and operating in accordance with the published Manufacturers specifications and guidelines.
2. The Purchaser or his agent does not exceed the Products published design operating range for hydraulic flow, pressure or recommended carrier size.
3. The Purchaser or his agent complies with the maintenance schedule in the Operating and Service Manual supplied with each Product.
4. The Purchaser or his agent only uses replacement parts/products received from or approved by Toku America, Inc.

This warranty will not cover defects/failures caused by abuse, neglect, misuse, lack of maintenance, accident or use of Product beyond its published design capacity, specifications or recommended applications. The Manufacturer will, at its option, determine what, if any, defective/faulty components will be accepted for warranty coverage. The Manufacturer will, at its option, determine whether to repair or replace components deemed faulty because of defective material or workmanship. The manufacturer will not be accountable for mileage, travel time, travel costs, and/or any freight costs incurred to facilitate the needed replacement or repairs beyond those stated within the document (see next page) titled "Warranty Policy Statement". The Manufacturer shall not be liable for lost rental income, machine availability or failure of components not supplied or installed by Manufacturer.

WARRANTY DISCLAIMER

This Warranty is exclusive and in lieu of all other representations and warranties, expressed or implied. The Manufacturer expressly disclaims and excludes and implied warranty of merchantability or fitness for a particular purpose. In no event shall the Purchaser or his agent be entitled to any consequential damages of any kind, whether arising out of breach of contract, warranty (including negligence and strict liability) or other theories of law, with respect to products sold or services rendered by the Manufacturer, or any undertakings, acts or omissions relating thereto. The Manufacturer reserves the right to change these policies as conditions dictate.

Continued on next page



MANUFACTURER'S WARRANTIES

TOKU AMERICA

Attachments: Hydraulic Compactors, Hydraulic Hammers

WARRANTY POLICY STATEMENT

This document spells out Toku America, Inc. specific policies concerning submissions or warranty claims. This document is in addition to the Toku America, Inc. *Limited Warranty for Hydraulic Breakers* that accompanies all new products.

1. Warranty Registration Card

Each hydraulic breaker is shipped with a *Warranty Registration Card*. In order to properly process your claim, this card **must** be on file at Toku America, Inc. This card not only registers the product for warranty purposes, it keeps Toku America, Inc. informed so we can contact you concerning product updates, parts specials and service bulletins.

2. Ordering Warranty Replacement Parts

All parts ordered from Toku America, Inc. will, **without exception**, be invoiced and shipped freight collect or prepaid with freight on the invoice.

3. Filing a Claim

Every Toku America, Inc. product shipped includes an Owner's Manual and package containing a *Warranty Claim Form* and a *Hammer Checklist* for pre-delivery.

4. Using the Warranty Claim Form

Fill out all items as completely as possible. Take note of (5.) below. In the section titled "DESCRIPTION OF FAILURE" describe the failure as clearly as possible along with operating conditions of the breaker and carrier as best you can.

In order for Toku America, Inc. to consider "DEALER LABOR" and "DEALER MILEAGE" in your claim, your **published** labor and mileage rates must be on file with Toku America, Inc. or must accompany the claim form.

5. Warranty Submission Time Limit

No more than thirty (30) days should elapse between the "DATE OF FAILURE" and "DATE OF CLAIM". Claims submitted beyond thirty (30) days from the "DATE OF FAILURE" will be denied.

Toku America, Inc.'s purpose is to provide the best possible product reliability and customer service. Our best sources for product reliability information and failure analysis are used/failed parts from the field. A broken side rod bolt or piston that has been exposed to weeks of weather or knocking around your shop tells us little or nothing. It may have been a valid claim when the part failed. If we can't tell why or where the part failed because of rust or damage we can't warranty the part.

6. Requesting a Returned Goods Authorization (RGA)

Before returning a suspected warranty part, call Toku America, Inc. at (877) 954-9923 and our customer service representative will provide you with a RGA number. Please have the description of the part(s) at hand and the method by which you will be returning the part prepaid to Toku America, Inc. At that time it may be determined that you need not return the part and Toku America, Inc. may warrant the part without examination at its sole discretion. Do not scrap any parts under warranty consideration until authorized by Toku America, Inc. or until credit is received.

7. Returning a Warranted Part

All returned parts must be shipped prepaid (not collect) and include the RGA number prominently displayed on the shipping label. If a part is particularly heavy, we may be able to work out a more favorable freight rate for you from one of our regular carriers. Please contact us for further information.

8. Toku America, INC. Claims Processing

Toku America, Inc. will respond to the dealer submitting the claim within 30 days as follows"

- A credit for an approved claim which contains the required information or,
- A request for further information, for return of the parts for analysis (refer to 6. and 7. above) or,
- Notification of a denied claim with an explanation of why the claim was denied.



MANUFACTURER'S WARRANTIES

**THIS PAGE
INTENTIONALLY
LEFT BLANK**

ALSO INCLUDED ARE:

- General Information
- Manufacturer's Warranties



www.newholland.com

PM-17994 Updated: 04/2018 Replaces: PM-17734 & 17735

©2018 CNH Industrial America LLC. All rights reserved. New Holland is a trademark registered in the United States and many other countries, owned by or licensed to CNH Industrial N.V., its subsidiaries or affiliates. New Holland Construction, CNH Industrial Genuine Parts and SmartFit are trademarks in the United States and many other countries, owned by or licensed to CNH Industrial N.V., its subsidiaries or affiliates.