



SCIENCE FURNITURE

for EDUCATIONAL ENVIRONMENTS

TABLE OF CONTENTS

SCIENCE F

Use Our Experience to Your Advantage.

All laboratories are complex, sophisticated and expensive workspaces.

A carefully planned laboratory is configured with industry specific equipment to meet the precise requirements that that particular field demands.

At Labscape we assume single source responsibility for a functional & efficient laboratory in any industry or application. We commit ourselves to a level of unsurpassed service at every stage of the construction process, from planning and safety through equipment delivery & proper installation.

URNITURE

for EDUCATIONAL ENVIRONMENTS

3.
LABORATORY TABLES

14.
STUDENT WORKSTATIONS

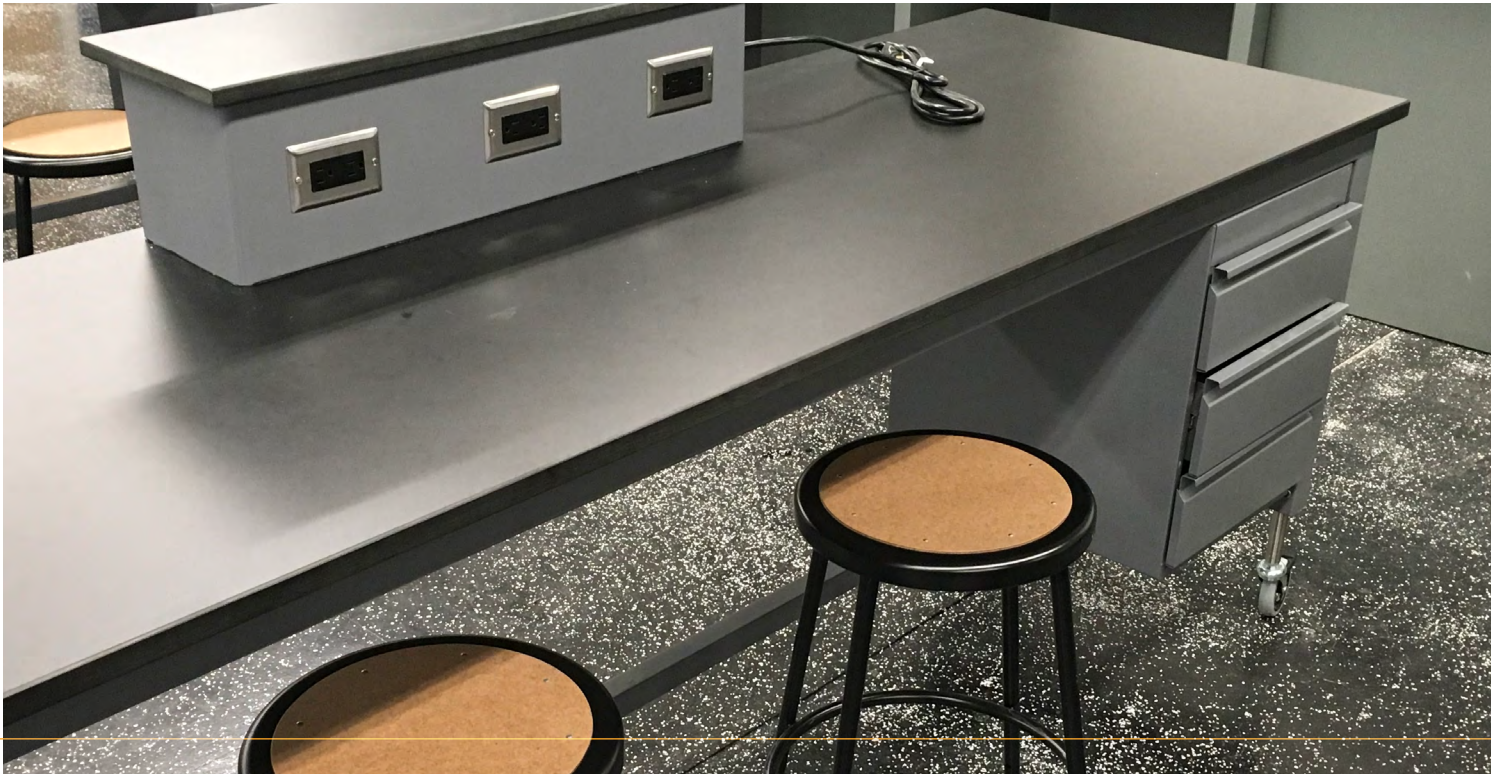
28.
FUME HOODS

32.
INSTRUCTOR DESKS

38.
MOBILE STORAGE

42.
SPECIALTY STORAGE

54.
SAMPLE LAYOUTS



800.898.6649

LABTABLES

for EDUCATIONAL ENVIRONMENTS



WWW.LABSCAPE.COM

LABORATORY TABLES

CONFIGURATIONS

P7601K30SC

Apron Style Codes	P = PLAIN	C = BOOK COMPARTMENT	D = DRAWER	
Table Size Codes	710 = 24" X 48" 711 = 42" X 48" 712 = 30" X 48" 713 = 30" X 54" 714 = 30" X 60" 715 = 30" X 72"	716 = 21" X 48" 717 = 36" X 48" 718 = 21" X 54" 719 = 36" X 54" 720 = 24" X 54" 721 = 21" X 60"	722 = 36" X 60" 723 = 21" X 72" 724 = 36" X 72" 730 = 24" X 72" 740 = 42" X 72" 748 = 48" ROUND	760 = 24" X 60" 780 = 42" X 54" 790 = 42" X 60"
Table Surface Codes	1 = 1-1/4" PLASTIC LAMINATE 2 = 1-1/4" CHEMGUARD 4 = 1" PHENOLIC RESIN 5 = 1-3/4" MAPLE 6 = 1" EPOXY RESIN			
Wood Specie Codes	K = OAK M = MAPLE			
Table Height Codes	30 = 30" H 34 = 34" H 36 = 36" H			
Table Option Codes	N = NONE L = LEG BRACE (REQUIRED FOR ALL 42"D TABLES) E = ELECTRICAL CUTOUT AND PLATE ONLY S = LEG BRACE & STRETCHER		LE = LEG BRACE & ELECTRICAL SE = LEG BRACE, STRETCHER, ELECTRICAL SC = LEG BRACE, STRETCHER, CASTER	

Required for Tables Over 72"W // And for Some Epoxy Topped Tables.

Plain Apron Table

Are available in a variety of sizes, with several different top materials. These tables are built for years of dependable service. Legs and aprons are constructed of solid red oak, and are smoothly machined. They are finished with a chemical resistant, earth-friendly UV finish. Aprons are constructed of solid red oak and are 13/16" D x 4-1/2" H with heavy-duty 13-gauge steel corner braces. 2-1/4" square solid oak legs, with 5/16" hanger bolts installed, are attached to apron with nuts and washers supplied. All tables are equipped with non-skid adjustable glides for precise leveling and for prevention of rocking on uneven floors. Tables are supplied with black rubber leg boots which offer protection against scuffing and chemical spills. Standard table height is 30" with a weight capacity of 500 lbs.



SIZE	P. LAM	CHEMGUARD	SOLID PHENOLIC	SOLID EPOXY	NO TOP
21" x 48"	P7161K30N	P7162K30N	P7164K30N	P7166K30N	P7160K30N
21" x 54"	P7181K30N	P7182K30N	P7184K30N	P7186K30N	P7180K30N
21" x 60"	P7211K30N	P7212K30N	P7214K30N	P7216K30N	P7210K30N
21" x 72"	P7231K30N	P7232K30N	P7234K30N	P7236K30N	P7230K30N
24" x 48"	P7101K30N*	P7102K30N*	P7104K30N	P7106K30N*	P7100K30N
24" x 54"	P7201K30N*	P7202K30N*	P7204K30N	P7206K30N*	P7200K30N
24" x 60"	P7601K30N*	P7602K30N*	P7604K30N	P7606K30N*	P7600K30N
24" x 72"	P7301K30N*	P7302K30N*	P7304K30N	P7306K30N*	P7300K30N
30" x 48"	P7121K30N	P7122K30N	P7124K30N	P7126K30N	P7120K30N
30" x 54"	P7131K30N	P7132K30N	P7134K30N	P7136K30N	P7130K30N
30" x 60"	P7141K30N*	P7142K30N*	P7144K30N	P7146K30N*	P7140K30N
30" x 72"	P7151K30N	P7152K30N*	P7154K30N	P7156K30N	P7150K30N
36" x 48"	P7171K30N	P7172K30N	P7174K30N	P7176K30L	P7170K30N
36" x 54"	P7191K30N	P7192K30N	P7194K30N	P7196K30L	P7190K30N
36" x 60"	P7221K30N	P7222K30N	P7224K30N	P7226K30L	P7220K30N
36" x 72"	P7241K30N	P7242K30N	P7244K30N	P7246K30L	P7240K30N
42" x 48"	P7111K30L	P7112K30L	P7114K30L	P7116K30L	P7110K30L
42" x 54"	P7801K30L	P7802K30L	P7804K30L	P7806K30L	P7800K30L
42" x 60"	P7901K30L	P7902K30L	P7904K30L	P7906K30L	P7900K30L
42" x 72"	P7401K30L	P7402K30L	P7404K30L	P7406K30L	P7400K30L
48" ROUND	P7481K30N	P7482K30N	P7484K30N	P7486K30N	P7480K30N

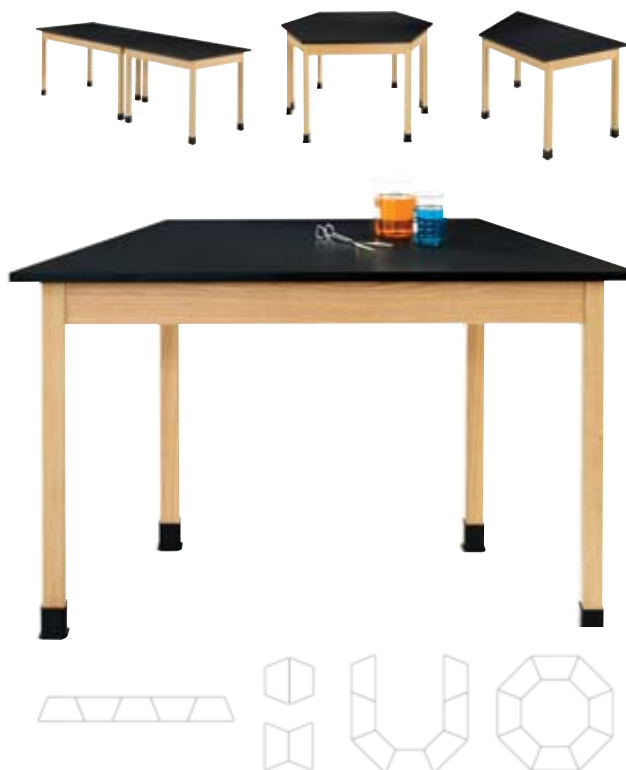


SHOWN **Laboratory Tables** GENERAL SCIENCE

> Trapezoid Table

This unique shaped science table allows for flexibility. Use as a two student table or have two or more tables together for group work. The sturdy construction ensures that moving the tables won't cause problems. The tables are made of solid oak or maple aprons, 2-1/4" solid legs and have a steel frame supporting the apron. The wood is finished with a chemical resistant, non-emitting UV finish. The tops are your choice of 1-1/4" plastic laminate or ChemGuard, with a height of 30" with levelers or 36"H with casters.

ITEM #	WOOD	TOP	CASTERS	SIZE
TZ7141K30N	Oak	Plastic Laminate	No	30" x 60" x 30"
TZ7141M30N	Maple	Plastic Laminate	No	30" x 60" x 30"
TZ7142K30N	Oak	ChemGuard	No	30" x 60" x 30"
TZ7142M30N	Maple	ChemGuard	No	30" x 60" x 30"
TZ7601K30N	Oak	Plastic Laminate	No	24" x 60" x 30"
TZ7601M30N	Maple	Plastic Laminate	No	24" x 60" x 30"
TZ7602K30N	Oak	ChemGuard	No	24" x 60" x 30"
TZ7602M30N	Maple	ChemGuard	No	24" x 60" x 30"
TZ7141K36C	Oak	Plastic Laminate	Yes	30" x 60" x 36"
TZ7141M36C	Maple	Plastic Laminate	Yes	30" x 60" x 36"
TZ7142K36C	Oak	Chemguard	Yes	30" x 60" x 36"
TZ7142M36C	Maple	Chemguard	Yes	30" x 60" x 36"
TZ7601K36C	Oak	Plastic Laminate	Yes	24" x 60" x 36"
TZ7601M36C	Maple	Plastic Laminate	Yes	24" x 60" x 36"
TZ7602K36C	Oak	Chemguard	Yes	24" x 60" x 36"
TZ7602M36C	Maple	Chemguard	Yes	24" x 60" x 36"



> Fixed Height Riser Table

Perfect table for STEM projects. We've taken our popular oak and maple science tables and enhanced them by adding a riser. The table features solid oak or maple (your choice) aprons and riser supports finished with a chemical resistant finish. The riser provides 10" of clearance above the work surface, is 12"D and made of the same material as the top you choose. Top options include: plastic laminate, chemical resistant laminate, phenolic resin and epoxy resin. All 72"W tables include leg braces and a stretcher for added strength. Tables stand 30"H. The top of the riser is 41" from the floor. The riser top is fully assembled, with the legs needed to be attached.

SIZE	PLASTIC LAMINATE OAK	PLASTIC LAMINATE MAPLE	CHEMGUARD OAK	CHEMGUARD MAPLE	PHENOLIC OAK	PHENOLIC MAPLE	EPOXY OAK	EPOXY MAPLE
30" x 54"	PR7131K30N	PR7131M30N	PR7132K30N	PR7132M30N	PR7134K30N	PR7134M30N	PR7136K30N	PR7136M30N
30" x 60"	PR7141K30N	PR7141M30N	PR7142K30N	PR7142M30N	PR7144K30N	PR7144M30N	PR7146K30N	PR7146M30N
30" x 72"	PR7151K30S	PR7151M30S	PR7152K30S	PR7152M30S	PR7154K30S	PR7154M30S	PR7156K30S	PR7156M30S



> Adjustable Wooden Leg Table

The A7000 table has the same construction as our standard table with the exception of adjustable legs. The aprons are solid oak and are available in four types of tops: epoxy, phenolic resin, plastic laminate, and ChemGuard. Legs can adjust from sitting height of 30" to standing height of 36" by removing the bolt on the leg surface. The table is finished with a chemical resistant finish.

ITEM #	TOP	SIZE
A7101K	Plastic Laminate	48" x 24" x 30"-36"
A7102K	ChemGuard	48" x 24" x 30"-36"
A7104K	Phenolic	48" x 24" x 30"-36"
A7106K	Epoxy	48" x 24" x 30"-36"
A7141K	Plastic Laminate	60" x 30" x 30"-36"
A7142K	ChemGuard	60" x 30" x 30"-36"
A7144K	Phenolic	60" x 30" x 30"-36"
A7146K	Epoxy	60" x 30" x 30"-36"
A7201K	Plastic Laminate	54" x 24" x 30"-36"
A7202K	ChemGuard	54" x 24" x 30"-36"
A7204K	Phenolic	54" x 24" x 30"-36"
A7206K	Epoxy	54" x 24" x 30"-36"
A7301K	Plastic Laminate	72" x 24" x 30"-36"
A7302K	ChemGuard	72" x 24" x 30"-36"
A7304K	Phenolic	72" x 24" x 30"-36"
A7306K	Epoxy	72" x 24" x 30"-36"
A7601K	Plastic Laminate	60" x 24" x 30"-36"
A7602K	ChemGuard	60" x 24" x 30"-36"
A7604K	Phenolic	60" x 24" x 30"-36"
A7606K	Epoxy	60" x 24" x 30"-36"



With Stretchers, Leg Braces & Casters

> Book Compartment Tables

Are built with the same quality techniques as the plain apron table. They are finished with a chemical resistant, earth-friendly UV finish. These tables have either two or four book compartments (depending on size) installed in the apron. The book compartments measure 14" W x 13-5/8"D x 3-7/8"H. The table has a weight capacity of 500 lbs. On tables 72"W or over, we recommend ordering with leg braces and stretchers. (Shipped KD with tops attached)

SIZE	COMP.	PLASTIC LAMINATE	CHEMGUARD	SOLID PHENOLIC	SOLID EPOXY	NO TOP
21" x 48"	2	C7161K30N	C7162K30N	C7164K30N	C7166K30N	C7160K30N
21" x 54"	2	C7181K30N	C7182K30N	C7184K30N	C7186K30N	C7180K30N
21" x 60"	2	C7211K30N	C7212K30N	C7214K30N	C7216K30N	C7210K30N
21" x 72"	2	C7231K30N	C7232K30N	C7234K30N	C7236K30N	C7230K30N
24" x 48"	2	C7101K30N*	C7102K30N*	C7104K30N	C7106K30N*	C7100K30N
24" x 54"	2	C7201K30N*	C7202K30N*	C7204K30N	C7206K30N*	C7200K30N
24" x 60"	2	C7601K30N*	C7602K30N*	C7604K30N	C7606K30N*	C7600K30N
24" x 72"	2	C7301K30N*	C7302K30N*	C7304K30N	C7306K30N*	C7300K30N
30" x 48"	2	C7121K30N	C7122K30N	C7124K30N	C7126K30N	C7120K30N
30" x 54"	2	C7131K30N	C7132K30N	C7134K30N	C7136K30N	C7130K30N
30" x 60"	2	C7141K30N*	C7142K30N*	C7144K30N	C7146K30N*	C7140K30N
30" x 72"	2	C7151K30N	C7152K30N*	C7154K30N	C7156K30N	C7150K30N
36" x 48"	2	C7171K30N	C7172K30N	C7174K30N	C7176K30L	C7170K30N
36" x 54"	2	C7191K30N	C7192K30N	C7194K30N	C7196K30L	C7190K30N
36" x 60"	2	C7221K30N	C7222K30N	C7224K30N	C7226K30L	C7220K30N
36" x 72"	2	C7241K30N	C7242K30N	C7244K30N	C7246K30L	C7240K30N
42" x 48"	4	C7111K30L	C7112K30L	C7114K30L	C7116K30L	C7110K30L
42" x 54"	4	C7801K30L	C7802K30L	C7804K30L	C7806K30L	C7800K30L
42" x 60"	4	C7901K30L	C7902K30L	C7904K30L	C7906K30L	C7900K30L
42" x 72"	4	C7401K30L	C7402K30L	C7404K30L	C7406K30L	C7400K30L

TABLE PARTS

UNIT #	DESCRIPTION	UNIT #	DESCRIPTION
L30-REP*	30"H Leg (1 each)	L3034	34"H Leg (set of 4)
L34-REP	34"H Leg (1 each)	L3036*	36"H Leg (set of 4)
L36-REP*	36"H Leg (1 each)	100076X4*	Leg Boots (set of 4)
L3030*	30"H Leg (set of 4)	100728X4*	Floor Mounting Brackets (set of 4)



> Adjustable Height Riser Table

This table has everything you could want. It adjusts easily from 27-3/4" to 39" (42"H with 3" spacer provided) in 2 cm increments in less than 30 seconds without the use of tools. Apron is solid oak and finished with a chemical resistant finish. It has a riser that provides extra workspace for each to put tools or laptop. The table has three top options: plastic laminate, chemical resistant laminate and phenolic resin. The riser's horizontal surface matches your choice of top surface. The 12"D riser is supported by six 1" diameter powder coated steel tubes. The riser is 10" above the table surface. Tabletop measures 30"D x 60"W.

ITEM #	TOP
PR8141K	Plastic Laminate
PR8142K	Chemical Resistant Laminate
PR8144K	Phenolic Resin



> Adjustable Height Table

A perfect solution for ADA requirements that can adjust in 2 cm increments from 27-3/4"H to 39" (42"H with 3" spacer provided). Can also be adjusted for use as an incline surface for physics. Solid 4-1/2" oak aprons are attached to your choice of three top options: plastic laminate, ChemGuard, and phenolic. Note: phenolic resin tops are heavier and may require two people to adjust the height. The wood is finished with a chemical resistant, earth-friendly UV finish. The table has a weight capacity of 500 lbs. Optional casters sold separately.

SIZE	PLASTIC LAMINATE	CHEMGUARD	SOLID PHENOLIC
24" x 48"	P8101K*	P8102K*	P8104K
24" x 54"	P8201K*	P8202K*	P8204K
24" x 60"	P8601K*	P8602K*	P8604K*
24" x 72"	P8301K*	P8302K*	P8304K
30" x 60"	P8141K*	P8142K*	P8144K
Casters	100709X4*	(Set of 4)	



Shown with Optional Castors

> Storage Cabinet Tables

Are constructed of solid oak and hardwood veneers, this table features a center cabinet with lock and rubber base molding. This table is available with plain or book compartment aprons and comes in both single (2-student) and double-faced (4-student) models. The center cabinet is available with two locking drawers or as a plain base cabinet with adjustable shelf. These tables are designed for use at sitting height. They are finished with a chemical resistant, earth-friendly UV finish. This unit is available with our complete line of top materials to satisfy every requirement or budget.



2-STUDENT SINGLE	WEIGHT	4-STUDENT DOUBLE	WEIGHT	APRON	CABINET	TOP
2101K	265 lbs.	2301K	380 lbs.	Plain	Plain	Plastic Laminate
C2101K	275 lbs.	C2301K	400 lbs.	Compartment	Plain	Plastic Laminate
2201K	275 lbs.	2401K	400 lbs.	Plain	Drawers	Plastic Laminate
C2201K	275 lbs.	C2401K	410 lbs.	Compartment	Drawers	Plastic Laminate
2102K	265 lbs.	2302K	380 lbs.	Plain	Plain	ChemGuard
C2102K	275 lbs.	C2302K	400 lbs.	Compartment	Plain	ChemGuard
2202K	275 lbs.	2402K	400 lbs.	Plain	Drawers	ChemGuard
C2202K	275 lbs.	C2402K	410 lbs.	Compartment	Drawers	ChemGuard
2104K	316 lbs.	2304K	443 lbs.	Plain	Plain	Solid Phenolic
C2104K	326 lbs.	C2304K	463 lbs.	Compartment	Plain	Solid Phenolic
2204K	330 lbs.	2404K	463 lbs.	Plain	Drawers	Solid Phenolic
C2204K	335 lbs.	C2404K	468 lbs.	Compartment	Drawers	Solid Phenolic
2106K	340 lbs.	2306K	500 lbs.	Plain	Plain	Solid Epoxy
C2106K	350 lbs.	C2306K	520 lbs.	Compartment	Plain	Solid Epoxy
2206K	350 lbs.	2406K	520 lbs.	Plain	Drawers	Solid Epoxy
C2206K	355 lbs.	C2406K	525 lbs.	Compartment	Drawers	Solid Epoxy



SINGLE FACE UNIT (66"W X 24"D X 30"H)

- 1 Single-Faced Cabinet (24"W x 22"D x 29"H)
- 2 Book Compartments (12"W x 13"D x 3"H)
- 2200 Model: 2 Drawers Unit (11-1/2"W x 18"D x 5-1/2"H)
- 2100 Model: Cabinet Base Unit w/full door have an adjustable shelf, with a 40 lb. capacity per sq. foot.



DOUBLE FACE UNIT (66"W X 42"D X 30"H)

- 1 Double-Faced Cabinet (24"W x 40"D x 29"H)
- 4 Book Compartments Unit (12"W x 13"D x 3"H)
- 2400 Model: 4 Drawer Unit (11-1/2"W x 18"D x 5-1/2"H)
- 2300 Model: Cabinet Base Unit w/full door have an adjustable shelf, with a 40 lb. capacity per sq. foot.



> Add-A-Cabinet

This unique table gives you the ability to change it as your needs change. Basic unit comes with a 60"W x 30"D x 36"H table that is reinforced with welded steel angle understructure. Cabinets can be mounted to the underside of the table and attached using a solid bolt connection. The unit comes standard with one cabinet, but there is enough room for two cabinets to be hung from the table. The cabinets measure 24"W x 22-1/2"D x 28-1/2"H. Choose from three cabinet options: drawer over door (with one adjustable shelf), Single door (with one adjustable shelf) and Drawer (two upper drawers and a file drawer). The doors and drawers lock. The top is 1" solid epoxy resin. The unit is finished with a non-emitting UV finish.

ITEM #	PRODUCT
H7146K36S-19	Table w/Drawer over Door Cabinet
H7146K36S-25	Table w/Drawer Cabinet
H7146K36S-33	Table w/Single Door Cabinet



M19-2422-H30K (Shown w/30"H Table)

> "M" Series Cabinets

Perfect to use as a standalone unit, or to fit underneath our best-selling tables. They are finished with a chemical resistant, earth-friendly UV finish. The cabinets roll on 4" heavy-duty ball-bearing casters with brakes. Available for sitting (24"H units) or standing (30"H units) tables. Shipped assembled except for the casters. (Table sold separately)



M96-2422-H24K



M40-2422-H30K



M33-2422-H30K

ITEM #	FOR TABLE HGT.	LAYOUT	TOP	SIZE
M95-2422-H24K	30"	1 Door/Hinged Right	Veneered	22"D x 24"W x 24"H
M96-2422-H24K	30"	1 Door/Hinged Left	Veneered	22"D x 24"W x 24"H
M95-2422-H30K	36"	1 Door/Hinged Right	Veneered	22"D x 24"W x 30"H
M96-2422-H30K	36"	1 Door/Hinged Left	Veneered	22"D x 24"W x 30"H
M18-2422-H30K	36"	1 Door/Drawer, Hinged Right	Veneered	22"D x 24"W x 30"H
M19-2422-H30K	36"	1 Door/Drawer, Hinged Left	Veneered	22"D x 24"W x 30"H
M40-2422-H30K	36"	2 Drawer	Veneered	22"D x 24"W x 30"H
M33-2422-H30K	36"	3 Drawer	Veneered	22"D x 24"W x 30"H



3216K (Shown w/Two 36"H Plain Apron Tables)



3216K



3226K



3236K



3246K

> Wall Service Bench

Need all your services in one place or looking to add a wall of cabinets that include services? The Wall Service Bench offers storage and services all in one unit. Constructed of solid hardwood and oak veneer plywood. The Wall Service Bench features your choice of a 1" solid epoxy resin or phenolic resin top with a 18"W x 15"D x 11"H epoxy resin sink and two combination cold water/gas fixtures. The sink area allows access to the plumbing and provides a large storage space with two GFI protected AC duplex electrical outlets. There is enough room in the sink area to allow two 24"D tables to be butted against the unit for use as a peninsula work area. The outer ends of the unit offer four storage solutions:

- Doors with Adjustable Shelves
- Doors/Drawer Combination w/1 Adjustable Shelf
- 4 Drawers/Doors w/1 Adjustable Shelf
- 4 Drawers

All drawers and doors have locks and ADA compliant pulls. The unit is finished with a chemical resistant, earth-friendly UV finish and includes rubber base molding. Dimensions: 108"L x 24"D x 36"H.

EPOXY	PHENOLIC	CABINET STYLE
3216K	3214K	Door
3226K	3224K	Door/Drawer
3236K	3234K	Door/4 Drawer
3246K	3244K	Drawer

Note: Units are built to be installed against a wall and do not have finished backs.



800.898.6649

STUDENT WORKSTATIONS

for EDUCATIONAL ENVIRONMENTS



WWW.LABSCAPE.COM

STUDENTWORKSTATIONS



SHOWN **Axis Tables** WITHOUT SINK

Axis Table

When it comes to versatility and functionality, the Axis series has no equal. The Axis table has a quiet remote-controlled lifting mechanism, allowing for a quick height adjustment from 30" to 36", a seated lecture position to a standing lab height. It's a great option for all disciplines including chemistry, biology, general science, physics, & robotics. This workstation has a durable, epoxy resin work surface with a marine edge to control spills and an optional 19-1/2 gallon cantilevered sink. The Axis table can be ordered with up to 12 electric and data ports and is federal ADA guideline compliant for accessibility.



Axis Table
W/ PRIVACY PANELS



ITEM #	TOP SIZE	HEIGHT ADJUST	TOP // BASE	SINK
26000	96" L X 50" W	30" to 36" H	Epoxy // Steel	19.5 Gallon
26020	96" L X 50" W	30" to 36" H	Epoxy // Steel	N/A
26200	84" L X 44" W	30" to 36" H	Epoxy // Steel	19.5 Gallon
26220	84" L X 44" W	30" to 36" H	Epoxy // Steel	N/A



Trifacial Service Island

The Trifacial Service Island delivers the most effective use of space at a lower overall cost. Its unique shape provides ample workspace, a large tub sink and sufficient counter space for three students. It is often used in conjunction with our Four-Legged tables, and can accommodate up to twelve students when these tables are engaged. The large tub sink makes clean up easy. Available in molded fiberglass or chemical resistant epoxy resin top materials. Stainless steel base with access panels to plumbing and electrical services. Adjustable height at time of installation.



ITEM #	HEIGHT ADJUST	STUDENT #	TOP	SINK	BASE
76230	32.5" to 38"H	3	Fiberglass	34 Gallon	Steel Pedestal
76231	32.5" to 38"H	3	Epoxy Resin	34 Gallon	Steel Pedestal



TE II Lab Center

The Total Experience® II Lab Centers utilize all available floor space. The center integrates work counter, standing area and traffic lanes for complete floor coverage. The TE II Center design assures each individual of a safe work station. Each student has the use of more front counter space and elbow room. Other workers and activities are within his angle of vision. Each student can work with either of his neighbors across from his corner. Traffic lanes are clear in every direction because students are not working back-to-back obstructing aisles.



ITEM #	TOP SIZE	HEIGHT ADJUST	TOP // BASE	SINK
26000	96" L X 50" W	30" to 36" H	Epoxy // Steel	19.5 Gallon
26020	96" L X 50" W	30" to 36" H	Epoxy // Steel	N/A
26200	84" L X 44" W	30" to 36" H	Epoxy // Steel	19.5 Gallon
26220	84" L X 44" W	30" to 36" H	Epoxy // Steel	N/A



> Trifacial Workstation

Hexagonal workstation designed to be used with standard 36" laboratory tables. This unit features an epoxy resin top with a drop-in hexagonal lipped sink. Apron and pedestal are constructed of solid hardwoods, and oak veneers, with a chemical resistant, earth-friendly UV finish. Equipped with three combination cold water/gas fixtures and three GFI duplex receptacles. The center pedestal has a removable panel to access utilities. Unit is also available in a flat top version without the sink and fixtures.

ITEM #	SIZE	SINK	TOP
1536K	49"W x 56-1/2"D x 36"H	Yes	Solid Epoxy
1536KF	49"W x 56-1/2"D x 36"H	No	Solid Epoxy

> Service Island

A compact service island constructed of solid oak, hardwood and oak veneers, with a chemical resistant, earth-friendly UV finish. This unit can be grouped with tables to provide an efficient working arrangement. The unit includes one 14" x 10" x 6" solid epoxy resin sink, two combination cold water/gas fixtures, two GFI AC duplex electrical receptacles, chemical-resistant polypropylene trap, and locking cupboard.



Shown with two 30"H plain apron tables



ITEM #	SIZE	TOP
3116K	26"W x 24"D x 36"H	Solid Epoxy



> Clean Up Sink

One piece top including sink is molded of polyolefin (It's easy to clean, extremely chemical resistant, and is highly impact resistant to reduce glassware breakage). Long grooved sloping counter leads to large sink in center. The low temperature strength eliminates cracking with dry ice, and the sink measures (24-1/2"W x 18-1/2"D x 14"H). It includes a hot and cold water mixing faucet. The base is constructed of hardwood and oak veneers with a chemical resistant, earth-friendly UV finish. Two adjustable shelves can be found inside the outer cabinets. Includes: pulls, locks and rubber base molding. The back panel is unfinished with a plumbing cut-out.

ITEM #	SIZE	TOP
3303K*	55-1/2"W x 28"D x 36-1/2"H	Polyolefin



2946K | Front View



2936KLH | Front View



2936K | Front View

> Forward Vision I

This popular workstation meets the needs of students and teachers today. The Forward Vision 4-Student Workstation allows four students to work at a single station while all are facing the teacher. The unique design leaves enough room to store four stools (not included) under the workstation. Sink units come with two combination cold water/gas fixtures. The 2916KLH and 2936KLH include two rod sockets and LabHands for holding laptop computers and books. All the units come with two GFI electrical “outlets, and ample storage. Choose from two models of cabinets: Door cabinet with two adjustable shelves or the door/drawer cabinet with one adjustable shelf and a drawer. The stations are finished with a chemical resistant, earth-friendly UV finish. All doors and drawers lock. Dimensions: 96" W x 50" D x 36" H.

STYLE	SINK DIMENSIONS	DOOR CABINET	DOOR/DRAWER CABINET	TOP
End Sink	22-3/8" x 15" x 17"	2916K	2936K	Solid Epoxy
End Sink w/LabHands	22-3/8" x 15" x 17"	2916KLH	2936KLH	Solid Epoxy
Drop-In Sink	12" x 8" x 6"	2946K*	2956K	Solid Epoxy
No Sink or Fixtures	N/A	2946KF	2956KF	Solid Epoxy

MULTI-PURPOSE

Utility Sink

Meet any need for clean-up in any classroom. With a drying rack and shelf above the services, there is room to complete the cleaning process in one place. Multiple students can work simultaneously using all three fixtures. The large stainless steel sink makes it ideal for any purpose. Two base cabinets provide ample room for storage of clean tools and materials. Removable closure panel between cabinets allows access to all plumbing services.

Service wall assembly consists of an 8" deep, full length shelf and four panel mount 9" long utility hooks. Back panel provided with three panel-mounted hot and cold mixing gooseneck fixtures. Entire tub sink formed to drain to center outlet.



ITEM #	SINK DIMENSIONS	TOP	BASE CABINETS	CABINET STYLE
76810	75"L X 30"W X 61"H	Stainless Steel	24"L X 22"D X 29"H	Hinged Door



SHOWN **Utility Sink SS W/ BASE CABINETS**



2944K | Front View



2944K | Back View



> Forward Vision II

Everything science teachers want. Designed with teacher input and desire for a safe, secure classroom. Teachers maintain control of the class with all students facing the instructor. The large work surface—46"D x 88"W—is made of chemical resistant phenolic resin and holds the solid epoxy sink, and two combination cold water & gas fixtures. Data and electrical outlets are provided on the side of the unit. The cabinets provide locked storage space. Side mounted hooks hold book bags off the floor. The units are finished with a chemical resistant, earth-friendly UV finish. Includes two GFI AC duplex outlets. Also available with a flat top (no sink or fixtures). This model is compact enough to fit multiple units in a small classroom and is easy to assemble. Dimensions 88"W x 46"D x 36"H. Wt. 503 lbs.

STYLE	ITEM #	SINK DIMENSIONS	TOP
Forward Vision II	2944K*	12" x 8" x 6"	Solid Phenolic
Forward Vision II w/Flat Top	2944KF	N/A	Solid Phenolic



2826K

> Perimeter Workstations

Provides work space for up to four-students while storing your laboratory equipment in these perimeter workstations. Choose from 4 different configurations (see below). The four cabinets which make up a single unit measure 24"W x 16"D x 35"H. The stations are designed to utilize space along walls where they can stand alone or be ganged together. Durable solid oak and oak veneer construction finished with a chemical resistant, earth-friendly UV finish. Each unit includes: your choice of 1" solid epoxy resin

or 1" solid phenolic resin top with back splash, solid epoxy drop-in style sink with strainer, 2 combination cold water and gas fixtures, 4 rod sockets, rod storage (rods sold separately), 2 GFI electrical receptacles, keyed-alike locks on all doors and dovetailed drawers and rubber base molding. Assembly and installation of electricity and plumbing is required. Sink measures: 12"W x 8"D x 6"H. Unit measures 90"W x 84"D x 36"H. Work surface on wall portion is 18"D.

ITEM #	W/SINK & FIXTURES	TOP	CABINET STYLE
2814K	Yes	Solid Phenolic	Door
2824K	Yes	Solid Phenolic	Door/Drawer Unit
2834K	Yes	Solid Phenolic	Door/4 Drawer Unit
2844K	Yes	Solid Phenolic	4 Drawer Unit
2816K	Yes	Solid Epoxy	Door
2826K	Yes	Solid Epoxy	Door/Drawer Unit
2836K	Yes	Solid Epoxy	Door/4 Drawer Unit
2846K	Yes	Solid Epoxy	4 Drawer Unit
2814KF	No	Solid Phenolic	Door
2824KF	No	Solid Phenolic	Door/Drawer Unit
2834KF	No	Solid Phenolic	Door/4 Drawer Unit
2844KF	No	Solid Phenolic	4 Drawer Unit
2816KF	No	Solid Epoxy	Door
2826KF	No	Solid Epoxy	Door/Drawer Unit
2836KF	No	Solid Epoxy	Door/4 Drawer Unit
2846KF	No	Solid Epoxy	4 Drawer Unit
100604* / Optional Upright Rod Set w/Full Crossbar			

Note: Units are built to be installed against a wall and do not have finished backs.



2816K



2836K



2846K



Pedestal Base Option

> Octagon Workstation

Crafted of solid hardwood/oak veneers, and finished with a chemical resistant, earth-friendly UV finish. Both units provide ample space for 4 people and are available in 56" or 62", solid 1" epoxy resin or phenolic resin tops. The pedestal with apron comes equipped with 4 drawers, the drawer cabinet unit comes equipped with 16 drawers. Both units come with 4 GFI AC duplex receptacles, and can be ordered with these options: two combination cold water/gas fixtures, 4 rod sockets and, a 16" x 16" x 7" solid epoxy sink with strainer, stopper and trap. The 62"W units with drawers have 2 pulls per drawer. Easily accessible to the utilities. All units are 36"H. (Shipped KD)

Inside Drawer Dimensions:

- 1516K/1514K includes 4 each (20-7/16"W x 10-3/4"D x 2-23/32"H)
- 1546K/1544K includes 16 each (20-7/16"W x 10-3/4"D x 4-15/32"H)
- 1616K/1614K includes 4 each (26-7/16"W x 10-3/4"D x 2-23/32"H)
- 1646K/1644K includes 16 each (26-7/16"W x 10-3/4"D x 4-15/32"H)



Drawer Base Option

WITH SINK	FLAT TOP	STYLE	SIZE	TOP
1516K	1516KF	Pedestal	56"W	Solid Epoxy
1546K	1546KF	Drawer	56"W	Solid Epoxy
1616K	1616KF	Pedestal	62"W	Solid Epoxy
1646K	1646KF	Drawer	62"W	Solid Epoxy
1514K	1514KF	Pedestal	56"W	Solid Phenolic
1544K	1544KF	Drawer	56"W	Solid Phenolic
1614K	1614KF	Pedestal	62"W	Solid Phenolic
1644K	1644KF	Drawer	62"W	Solid Phenolic

> **Ez-Lift Workstation (Manual & Push-Button)**

Both of the units' height is adjustable from 28" to 40"H. Choose from 1" epoxy resin or phenolic resin top. Students have plenty of space with either the 96"W x 50"D or 88"W x 46"D work surface. Two hooks mounted underneath hold up to four book bags. The grey powder-coated steel and oak veneer base conceals the lifting mechanism. It is finished with a chemical resistant, earth-friendly UV finish. The unit provides six GFI protected electrical outlets. Assembly and power source required. The manual- crank unit has a fold-away crank accessible on the student side of the workstation. The push-button unit has an easy, power option. The motor is accessible by removing one of the oak panels. Plug only supplies power to the hydraulics on the push-button model. AC Duplex needs to be hard-wired in the field.



Push-Button

ITEM #	TOP SIZE	TOP	ADJUSTABLE UNIT
2994K	96"W x 50"D	Solid Phenolic	Manual-Crank
2996K	96"W x 50"D	Solid Epoxy	Manual-Crank
2904K	88"W x 46"D	Solid Phenolic	Manual-Crank
2906K	88"W x 46"D	Solid Epoxy	Manual-Crank
2974K	96"W x 50"D	Solid Phenolic	Push-Button
2976K	96"W x 50"D	Solid Epoxy	Push-Button
2984K	88"W x 46"D	Solid Phenolic	Push-Button
2986K	88"W x 46"D	Solid Epoxy	Push-Button



Fold-Away Crank



> **Ez-Lift Workstation**

This flexible unit is designed to be used by four students, all facing the instructor. The fold-away crank allows the units height to be adjusted from 28"H to 40"H, for ease of use with a wheelchair. The front of the unit has locking storage measuring 36"W x 8"D x 24"H. Inside the cabinet are two lipped shelves and a quad electrical outlet. This space can be used for computer storage, recharging or for general storage. The front panel includes two more duplex outlets and two data ports. The unit is finished with a chemical resistant, earth-friendly UV finish and boosts 500 lb. weight capacity. The top is 1" solid phenolic resin. Overall size: 96"W x 54"D x 28"-40"H. Assembly and power source required.

ITEM #	SIZE	TOP	ADJUSTABLE UNIT
2894K	96"W x 54"D x 28" - 40"H	Solid Phenolic	Manual-Crank



C2716K



C2516K



(C2726K)

Two-student island workstations are fitted together to form a continuous row of workstations.

> Two-to-Eight Student Island Workstations

Single faced tables that provide a fully equipped science center from two to eight students. Each unit is constructed of solid oak, and hardwood veneers. The single faced units contain a solid epoxy resin sink (12" x 8" x 6"H) along with cold water faucets for every two students. Every unit contains enough gas cocks for each student along with GFI AC duplex electrical receptacles, rod sockets and book compartments. All units contain locks for the drawers and doors. Choose from models with a full cupboard only or a half cupboard and dovetailed drawers. Can be ordered without sink, fixtures and rod sockets. They are finished with a chemical resistant, earth-friendly UV finish. Single face two-student unit measures 66"L x 30"W x 36"H. Add 66" in length for each additional two students. Your choice of 1" solid epoxy resin or 1" phenolic resin tops.

W/SINK FIXTURES & ROD SOCKETS	W/O SINK FIXTURES & ROD SOCKETS	STUDENTS #	TOP	CABINET STYLE
C2514K	C2514KF	2	Solid Phenolic	Drawers
C2524K	C2524KF	4	Solid Phenolic	Drawers
C2534K	C2534KF	6	Solid Phenolic	Drawers
C2544K	C2544KF	8	Solid Phenolic	Drawers
C2516K	C2516KF	2	Solid Epoxy	Drawers
C2526K	C2526KF	4	Solid Epoxy	Drawers
C2536K	C2536KF	6	Solid Epoxy	Drawers
C2546K	C2546KF	8	Solid Epoxy	Drawers
C2714K	C2714KF	2	Solid Phenolic	Cupboard
C2724K	C2724KF	4	Solid Phenolic	Cupboard
C2734K	C2734KF	6	Solid Phenolic	Cupboard
C2744K	C2744KF	8	Solid Phenolic	Cupboard
C2716K	C2716KF	2	Solid Epoxy	Cupboard
C2726K	C2726KF	4	Solid Epoxy	Cupboard
C2736K	C2736KF	6	Solid Epoxy	Cupboard
C2746K	C2746KF	8	Solid Epoxy	Cupboard



C2416K



C2616K



(C2426K)

Two-student island workstations are fitted together to form a continuous row of workstations.

> Four-to-Sixteen Student Island Workstation

Double faced tables that provide a fully equipped science center from four to sixteen students. Each unit is constructed of solid oak and hardwood veneers and finished with a chemical resistant, earth-friendly UV finish. The double faced units contain a solid epoxy resin sink (12" x 8" x 6"H) along with cold water faucets for every two students. Every unit contains enough gas cocks for each student along with GFI AC duplex electrical receptacles, rod sockets and book compartments. All units contain locks for the drawers and doors. Choose from models with a full cupboard only or a half cupboard and dovetailed drawers. Can be ordered without sink, fixtures and rod sockets. Double face four student unit measures 66" L x 48" W x 36" H. Add 66" in length for each four students.

W/SINK FIXTURES & ROD SOCKETS	W/O SINK FIXTURES & ROD SOCKETS	STUDENTS #	TOP	CABINET STYLE
C2414K	C2414KF	4	Solid Phenolic	Drawers
C2424K	C2424KF	8	Solid Phenolic	Drawers
C2434K	C2434KF	12	Solid Phenolic	Drawers
C2444K	C2444KF	16	Solid Phenolic	Drawers
C2416K	C2416KF	4	Solid Epoxy	Drawers
C2426K	C2426KF	8	Solid Epoxy	Drawers
C2436K	C2436KF	12	Solid Epoxy	Drawers
C2446K	C2446KF	16	Solid Epoxy	Drawers
C2614K	C2614KF	4	Solid Phenolic	Cupboard
C2624K	C2624KF	8	Solid Phenolic	Cupboard
C2634K	C2634KF	12	Solid Phenolic	Cupboard
C2644K	C2644KF	16	Solid Phenolic	Cupboard
C2616K	C2616KF	4	Solid Epoxy	Cupboard
C2626K	C2626KF	8	Solid Epoxy	Cupboard
C2636K	C2636KF	12	Solid Epoxy	Cupboard
C2646K	C2646KF	16	Solid Epoxy	Cupboard



800.898.6649

FUMEHOODS

for EDUCATIONAL ENVIRONMENTS



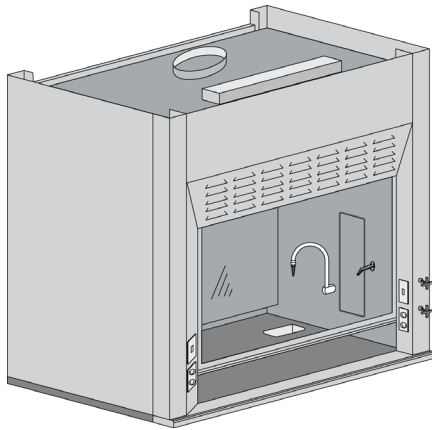
WWW.LABSCAPE.COM

FUMEHOODS



SHOWN Air Foil Fume Hood LS-100 SERIES

100 SERIES



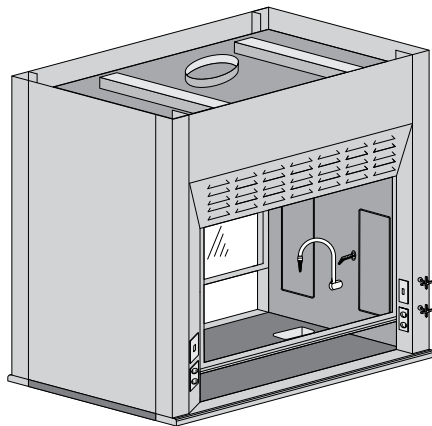
Air Foil Fume Hood

The LS-100 Series Airfoil Fume Hood features a 45-degree angle around the fascia and a flush-mount radiused airfoil across the bottom, which results in minimized turbulence and increased performance.

Like the exterior of the hood, the airfoil is made from chemical-resistant, powder-coated, 16-gauge cold rolled steel. Stainless steel is available as an option. Posts are 5" wide. Five standard sizes offer design flexibility, or we'll customize to your specific needs.

ITEM #	SUPERSTRUCTURE			WORKTOP		
LS-111-36	36" W	56" H	33-1/4" D	36" W	1-1/4" H	30" D
LS-111-48	48" W	56" H	33-1/4" D	48" W	1-1/4" H	30" D
LS-111-60	60" W	56" H	33-1/4" D	60" W	1-1/4" H	30" D
LS-111-72	72" W	56" H	33-1/4" D	72" W	1-1/4" H	30" D
LS-111-96	96" W	56" H	33-1/4" D	96" W	1-1/4" H	30" D

200 SERIES



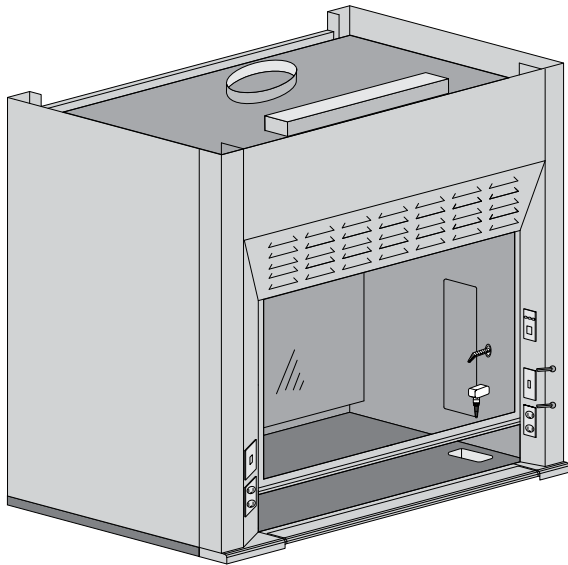
Double-Sided Fume Hood

The 200 Series provides the same aerodynamic design features as the LS-100 Airfoil Hood Series, with entrance from two sides. This makes it ideal for use in classroom or prep room settings or when demonstration of experiments is desired. A 45-degree angle around the fascia and a flush-mount radiused airfoil across the bottom provide minimized turbulence and increased performance.

The LS-200 features standard 5" posts to allow for electrical and remote control plumbing services on both sides, and these can be configured to your exact specifications. Five standard sizes and an array of options make this one of the most flexible fume hoods available anywhere.

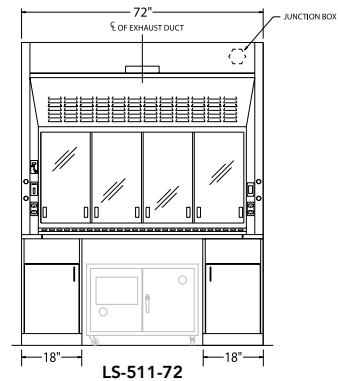
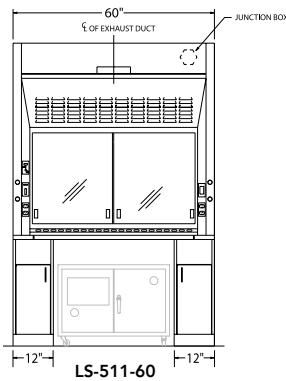
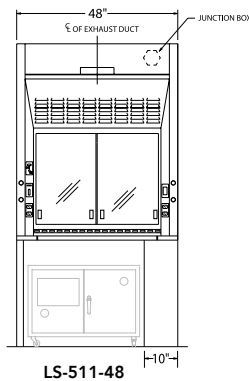
ITEM #	SUPERSTRUCTURE			WORKTOP		
LS-211-36	36" W	56" H	35-1/2" D	36" W	1-1/4" H	29" D
LS-211-48	48" W	56" H	33-1/2" D	48" W	1-1/4" H	29" D
LS-211-60	60" W	56" H	33-1/2" D	60" W	1-1/4" H	29" D
LS-211-72	72" W	56" H	33-1/2" D	72" W	1-1/4" H	29" D
LS-211-96	96" W	56" H	33-1/2" D	96" W	1-1/4" H	29" D

500 SERIES



ADA Fume Hood

The 500 Series is an airfoil-type fume hood designed to meet ADA dimensional guidelines. A 45-degree angle around the fascia and a flush-mount radiused airfoil across the bottom result in minimized turbulence and increased performance. The ADA hood has an airfoil that flips backward and out of the way for easy cleanup. Under the airfoil is a containment trough to capture accidental spills that may overflow the work surface. Trough assembly is fabricated from chemical resistant 16-gauge cold rolled steel. ADA kneespace configured base cabinets are available.



ITEM #	SUPERSTRUCTURE			WORKTOP		
LS-511-48	48" W	56" H	33-1/4" D	48" W	1-1/4" H	30" D
LS-511-60	60" W	56" H	33-1/4" D	60" W	1-1/4" H	30" D
LS-511-72	72" W	56" H	33-1/4" D	72" W	1-1/4" H	30" D

SHOWN ADA Fume Hood LS-500 SERIES



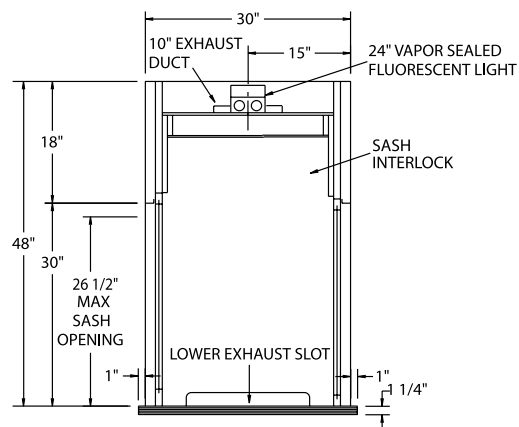
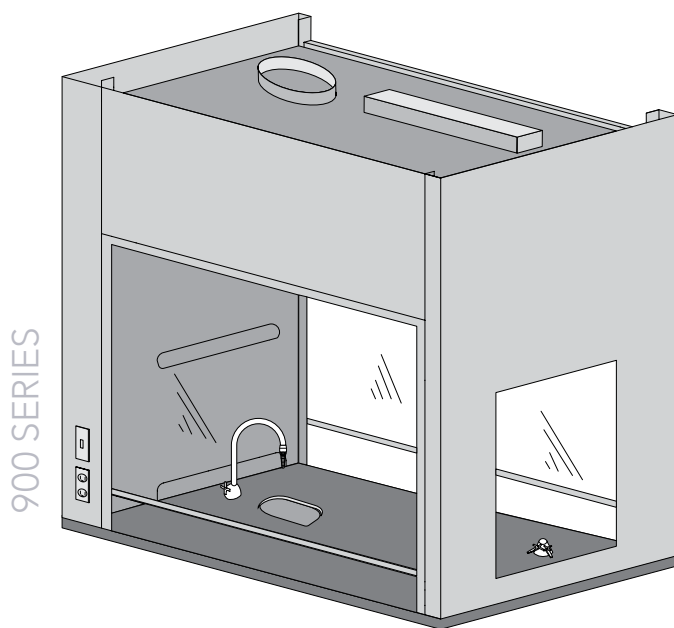
SHOWN **Demonstration Fume Hood LS-900 SERIES**



Demonstration Fume Hood

The 900 series is an educational viewing fume hood with three windows for optimum viewing. Features a two-sash configuration and a third (end) viewing window, making it ideal for use in high schools or any environment where demonstration of experiments is desired. The end window may be eliminated for through-wall installations.

A slimmed down - 2" front post and one standard - 5" post allow for more workspace and electrical services. Plumbing service must be deck mounted. Available in either right-hand or left-hand orientation.



ITEM #	SUPERSTRUCTURE			WORKTOP		
LS-911-60	60"W	48"H	30"D	60"W	1-1/4"H	32"D



MOBILE

FUMEHOODS

AeroEm Mobile Fume Hood

The eco-friendly AeroEm, our patented mobile fume hood, is equipped with supportive flow technology and maximum exhaust air flow. Because of its small size and powerful fan motor, the AeroEm Mobile Hood consumes less energy and allows approximately 30% less heated room air loss.

The AeroEm is equipped with castors and flexible service ports. It can be set up anywhere throughout the room, wherever there is an available ceiling umbilical with the necessary services, including an exhaust connection.

- WORKTOP WITH MARINE EDGING
- WINDOW AND DEFLECTOR (SAFETY GLASS)
- GAS OUTLET
- WATER OUTLET WITH DRAINAGE BASIN AND WASTE
- WATER LIFTING UNIT
- OPENINGS FOR PIPEWORK





SHOWN **AeroEm Mobile Fume Hood**

Paramount Mobile Ductless Enclosure

Paramount Ductless Enclosures are self-contained work stations, also known as ductless fume hoods, that use carbon filters to rid the laboratory of annoying or unsafe concentrations of organic solvents, formaldehyde, acid gases, ammonia, or radioisotopes. Unlike traditional fume hoods, they require no ducting so they can be moved from lab to lab. Paramount Ductless Enclosures are capable of using both carbon and 99.99% efficient HEPA filters for removing gaseous and particulate contaminants. Filters used in the Paramount are sold separately and come in seven types Ammonia-Amine, Acid-Sulfur, Organic Vapor, Formaldehyde-Formalin, Radioisotope, Mixed Bed and HEPA. Receive a technical analysis of the right product for your application with our Chemical Assessment form.





Front Panel

235640 (Replacement Filter)

> **NEW DESIGN** Mobile Fume Hood Station

A versatile fume hood that can be used in multiple classrooms. This ductless fume hood has an all-inclusive filter that handles liquids, gases and solid chemicals. This unit is so flexible, it does not require ducting (saves energy) and plugs into an ordinary outlet. The fume hood part of the unit is enclosed by 5/16" thick acrylic so a teacher can demonstrate while students surround the hood. The metallic parts are anti-corrosion metallic alloy protected by a thermo-hardened anti-acid polymer coating. The internal hood dimensions are 30-1/8"W x 23"D x 32"H; external dimensions are 31-1/2"W x 25"D x 45-1/4"H. Overall dimensions are: 32-3/8"W x 27-1/4"D x 81-1/2"H. Unit comes with an air flow meter, flow monitor, sampling port, programmable timer, energy ports, one filter (2 year average life) and list of approved chemicals. Fume hood comes standard with an internal light fixture. The fume

hood is mounted to a 27-1/4"D x 32-3/8"W x 36"H oak cabinet. It provides an easy way to move the fume hood within a room or school. It rolls easily on 4" casters and has two drawers, two pull-out lipped shelves lined with a chemical resistant liner. Unit is finished in natural oak with an earth-friendly chemical resistant UV finish. Overall dimensions: 81-1/2"H x 32-3/8"W x 27-1/4"D.

Filter Specification: Erlab hoods require filters be selected according to individual applications (Must get the Valquest Chemical Questionnaire form completed prior to purchase). Your specifications will be analyzed and validated by Erlab's PhD chemist, ensuring your safety. Please contact customer service with questions.

ITEM #	PRODUCT
1800K	Mobile Fume Hood Station (Hood, Filter & Cabinet)
235640	Replacement filter



800.898.6649

INSTRUCTOR DESKS

for EDUCATIONAL ENVIRONMENTS



WWW.LABSCAPE.COM

INSTRUCTOR DESKS



SHOWN Instructor Desk MOBILE MODEL



1116KF

> 8' Instructor Desk

Constructed of solid oak, and hardwood veneers, this unit serves as a complete demonstration center offering a spacious work surface. It is finished with a chemical resistant, earth-friendly UV finish. Included are drawers, and a cabinet for storage of large items. The drawers are expertly crafted from the finest materials with dovetail joinery throughout. Drawers run on epoxy-coated steel glides with nylon bearings for smooth operation. Equipment includes: one hot and cold mixing faucet, double gas cock, GFI protected AC duplex receptacle, polypropylene trap, set of support rods and crossbar, rubber base molding and locks for cupboard and all five drawers (two small, three large). Can also be ordered without the sink, faucet, gas cock, rod sockets or support rod. Note: mirror, and mirror/marker board will not fit this unit. Dimensions:

- Overall: 96"W x 30"D x 36"H
- Knee space: 22"W x 32-1/2"H
- Small Drawers: 14-3/4"W x 19"D x 5-1/2"H
- Large Drawers: 33-3/4"W x 19"D x 5-1/2"H
- Cupboard: 34-1/2"W x 28"D x 29-1/4"H
- Sink: 18"W x 15"D x 11"H



1116K

(Sink can be located on the left or right)

ITEM #	WITH SINK	TOP
1114K	Yes	Solid Phenolic
1116K*	Yes	Solid Epoxy
1114KF	No	Solid Phenolic
1116KF	No	Solid Epoxy



ITEM #	SIZE	TOP
1131K	60"W x 30"D x 30"H	Plastic Laminate

> Teacher's Work Desk

A beautiful desk that will match the rest of your furniture. This 60"W x 30"D x 30"H desk is constructed of select hardwoods and oak veneers. It is finished with a chemical resistant, earth-friendly UV finish. The top is 1" black high pressure laminate. The top also has two grommet holes for threading power cords. The pedestals have 2 file drawers, four smaller drawers and one center pencil drawer. All the drawers lock, except the pencil drawer. The knee space provided is 26"W.

> 5' Instructor Desk

Complete demonstration center constructed of solid oak, oak hardwood and oak veneers. It is finished with a chemical resistant, earth-friendly UV finish. Included are four drawers (three small, one file), and a large cupboard. The drawers are expertly crafted from the finest materials with dovetail joinery throughout. Drawers run on epoxy-coated steel glides with nylon bearings for smooth operation. All units come with a GFI protected AC duplex receptacle. You can order with/without these options: combination cold water/gas fixture, and polypropylene trap. Comes standard with pull-out writing board, support rod with crossbar, rubber base molding and locks for cupboard and all drawers. Dimensions:

- Overall: 60"L x 30"D x 36"H
- Knee space: 22"W x 32-1/2"D
- Pull-out: 3/4"H x 16-1/4"W x 25-1/4"D
- Small Drawers: 13-1/2"W x 18"D x 4"H
- File Drawer: 13-1/2"W x 18"D x 10-1/4"H
- Cupboard: 19-1/2"W x 28"D x 29-1/2"H



ITEM #	SINK & FIXTURES	SINK SIDE	SINK SIZE	TOP
1214K-L	Yes	Left	14"W x 10"D x 6"H	Solid Phenolic
1214K-R	Yes	Right	14"W x 10"D x 6"H	Solid Phenolic
1216K-L*	Yes	Left	14"W x 10"D x 6"H	Solid Epoxy
1216K-R	Yes	Right	14"W x 10"D x 6"H	Solid Epoxy
ITEM #	SINK & FIXTURES	CABINET HINGED	SINK SIZE	TOP
1214KF-L	No	Left	N/A	Solid Phenolic
1214KF-R	No	Right	N/A	Solid Phenolic
1216KF-L	No	Left	N/A	Solid Epoxy
1216KF-R	No	Right	N/A	Solid Epoxy



> ADA Instructor Desk

This accessible instructor's desk unit has a roll-under sink with paddle handle cold water faucet and gas fixture. The knee space is wide enough for a wheel chair to fit into the space (sink measures: 14"W x 10"D x 5"H). The 34"H meets ADA requirements (having a 19" depth, 27" knee height, 30" width and 8-1/2" knee clearance from the front table top edge). It includes a duplex outlet, file drawer, three smaller drawers and a pull-out writing board. It is finished with a chemical resistant, earth-friendly UV finish. Choose from either a 1" solid epoxy or phenolic resin top with an epoxy sink and a rod socket. Unit also includes a greenlaw arm. Overall size: 72"W x 30"D x 34"H.

ITEM #	TOP
1214K-L-ADA	Solid Phenolic
1216K-L-ADA	Solid Epoxy

> Side Desk

It attaches to our 5' and 8' instructor desks. Crafted from solid oak, oak and hardwood veneers (same as the instructor's desk). It is finished with a chemical resistant, earth-friendly UV finish. The side desk features one 13-1/2"W x 18"D x 10-1/4"H file drawer, two 13-1/2"W x 18"D x 4"H storage drawers and one 19-1/2"W x 18"D x 3"H pencil drawer. All drawers come with locks. The unit includes a 14-1/2"W x 20"D pull-out writing board. The classroom side of the unit features a bookshelf with one fixed shelf. The unit can be attached to either the right or left side of the instructor desk.



ITEM #	SIZE	TOP
1144K	48"W x 30"D x 30"H	Solid Phenolic
1146K	48"W x 30"D x 30"H	Solid Epoxy



> Labhand

Designed to provide a safe, convenient surface for laptops, tablets or books in a laboratory setting. The LabHand is mounted on a solid plastic rod which fits securely into standard rod sockets. The platform is made of powder coat steel to create a

surface that will withstand the typical chemicals found in laboratories. The LabHand holds laptops and books off the work surface protecting them from spills and increasing the amount of workspace available. 12" square with 5-1/2" rod.

ITEM #	PRODUCT	TOP
100994*	LabHand	Powder Coat Steel
100994X6*	LabHand (Set of 6)	Powder Coat Steel

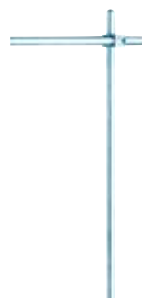
> Greenlaw Arm

Includes 3/4" x 3/4" clamp, a 3/4" 36" upright and a 3/4" x 18" crossbar. Fits in a rod socket with a 3/4" receiver.

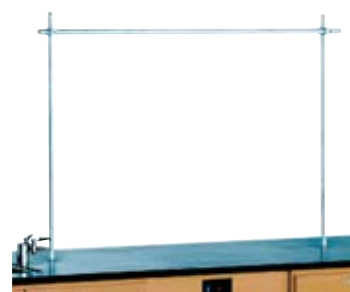
> Upright Set

Includes two each 3/4" x 1/2" clamp, two 3/4" x 36" upright and a 1/2" x 40" crossbar. Fits in a rod socket with a 3/4" receiver.

ITEM #	PRODUCT
100245GRARM*	Greenlaw Arm
100604*	Upright Set w/Full Crossbar



Greenlaw Arm



Upright Set

> **Uprights, Crossbars, Clamps**—Solid machined aluminum, these units are nearly impossible to break.

ITEM #	SIZE	PRODUCT
100002*	3/4" x 3/4"	Clamp
100003*	3/4" x 1/2"	Clamp
100004*	3/4" x 36"	Upright
100005	3/4" x 18"	Crossbar

ITEM #	SIZE	PRODUCT
100006*	3/4" x 48"	Crossbar
100007*	1/2" x 40"	Crossbar
100008	1/2" x 32"	Crossbar

> Mobile Laboratory Unit

A fully equipped, locking self-contained demonstration unit. It features a sturdy 1-1/4" thick high-pressure laminated surface with durable drop leaf extensions. Constructed from select oak and oak veneers with a chemical resistant, earth-friendly UV finish. It features unbreakable aluminum sliding door glides and lock. The unit comes standard with a stainless steel sink, and hand pump. A GFI protected AC duplex electrical outlet is built into the lab. The cabinet rides on 4" heavy-duty ball-bearing swivel casters with brakes. Includes a 25- foot extension cord, two tote trays, two 2-1/2 gallon water bottles, connecting hoses, two 3/4" diameter upright rods, one 1/2" diameter crossbar and clamps, a propane burner with stand and 2 adjustable shelves. Unit is also available without the sink, faucet, rod sockets and upright set. Mobile capacity: 500 lbs. Weight: 230 lbs. Overall dimensions: 48"W x 24"D x 36"H. Extended Top: 72"W x 24"D. Sink: 15"W x 13"L x 5"D.

ITEM #	PRODUCT
4121K *	Mobile Laboratory Unit w/Sink & Rod Sockets
4121KF	Mobile Laboratory Unit w/Flat Top
4121KF-RS	Mobile Laboratory Unit Mobile w/Flat Top, Rod Sockets
100245GRARM*	Greenlaw Arm
100604*	Upright Set w/Full Crossbar
4000K*	Optional Mirror
4001K*	Optional Mirror/Marker Board

Note: On "RS" units, the greenlaw arm or upright full crossbar set is not included.



4121K



4222K

> Mobile Demo Table With Drawers

A self-contained unit with its own water supply, waste container, stainless steel sink and hand pump, two 3/4" diameter upright rods, one 1/2" diameter crossbar and clamps. The four drawers are mounted on epoxy-coated nylon bearing glides. Sliding, locking doors conceal the drawers and storage compartment, and the supplied two 2-1/2 gallon water bottles. Finished with a chemical resistant, earth-friendly UV finish. Heavy-duty 4" ball-bearing swivel casters with brakes, support 500 lbs. Includes a GFI protected AC duplex electrical outlet and can be powered with the supplied 25' extension cord. The top is 1-1/4" thick ChemGuard high pressure laminate. Sink measures 15"W x 13"L x 5"D. Unit is also available without the sink, faucet, rod sockets and upright set. Overall dimensions are 48"W x 28"D x 36"H. Weight: 215 lbs.

ITEM #	PRODUCT
4222K*	Mobile Demo Table w/Sink & Rod Sockets
4222KF	Mobile Demo Table w/Flat Top
4222KF-RS	Mobile Demo Table w/Flat Top, Rod Sockets
100245GRARM*	Greenlaw Arm
100604*	Upright Set w/Full Crossbar
4000K*	Optional Mirror
4001K*	Optional Mirror/Marker Board

Note: On "RS" units, the greenlaw arm or upright full crossbar set is not included.



SHOWN **Teacher's Work Desk W/ SINK**



800.898.6649

MOBILE STORAGE

for EDUCATIONAL ENVIRONMENTS



WWW.LABSCAPE.COM

MOBILE STORAGE



SHOWN ABOVE **Mobile Storage Cabinet**

> Economy Mobile Storage Cabinet

Ideal for moving demonstrations around the room, school or lab. Constructed of select oak and oak veneers with a chemical resistant, earth-friendly UV finish. Includes unbreakable aluminum sliding door glides, lock and one fixed shelf (clearance of the shelf is 13-5/8"). Edges of the 1-1/4" thick high pressure laminated top are bound with a Plastic-T Molding. With a weight capacity of 500 lbs., it rolls on 4" heavy-duty ball-bearing swivel casters with brakes. Dimensions: 48"W x 24"D x 36"H. Weight: 180 lbs.



ITEM #	TOP
4101K*	Plastic Laminate



> Mobile Storage Cabinet

A compact, versatile rolling storage cabinet that is constructed of select oak and oak veneers with a chemical resistant, earth-friendly UV finish. The adjustable shelf (measures 18"D x 32"W) allows tall items to be placed in the unit. With a mobile capacity of 500 lbs., it comes equipped with four heavy-duty swivel casters with brakes. The doors lock for security. The unit is available with black 1-1/4" plastic laminate or 1-1/4" ChemGuard top. Dimensions: 36"W x 24"D x 36"H. Shipping weight: 140 lbs.

ITEM #	TOP
4401K*	Plastic Laminate
4402K*	ChemGuard

> Mobile Demo Cart

Designed for the transportation of equipment and supplies. Features solid oak construction. The legs are 2-1/4" square and are securely fastened to the 4-1/2" high apron with factory installed 5/16" hanger bolts through the heavy-duty 13 gauge steel corner braces. Includes leg stretchers and auxiliary oak plywood shelf. The unit rolls easily on 4 factory installed 3" ball-bearing swivel casters with brakes. The cart is finished with a chemical resistant, earth-friendly UV finish. The unit is supplied with either a factory installed black 1-1/4" plastic laminate or 1-1/4" ChemGuard top. Shipped partially unassembled. Dimensions: 36"W x 24"D x 30"H. Wt. 95 lbs.

ITEM #	TOP
4501K*	Plastic Laminate
4502K*	ChemGuard





> Mobile Tote Tray Storage

Store various materials with these large totes. Constructed of oak veneers and solid oak with a chemical resistant, earth-friendly UV finish. With a mobile capacity of 500 lbs., this unit rolls easily on 4" locking swivel casters. The two lockable doors swing 270° and conceal 21 hard plastic tote trays. Tote trays measure 19"L x 14-1/4"W x 3-1/2"H. Plastic laminate top can double as a work surface. Overall unit measures: 48"W x 24"D x 41-1/2"H.

ITEM #	PRODUCT
4751K*	Mobile Tote Tray Storage
100135*	Replacement Tote Tray

> Write-N-Roll Mobile Storage

Versatile mobile storage with an adjustable position top that has a 3mm black PVC edge. The top is made of 3/4" white marker board so messages or techniques can be demonstrated. Directly beneath the top is storage for flat items like paper and books measuring 19" x 25." The top can be positioned conveniently with the two 10-position arms. The cabinet is constructed of oak and select hardwood veneers with a chemical resistant, earth-friendly UV finish. Open the doors which feature 96MM pulls to reveal even more storage. The left side of the cabinet has five tote trays (13" x 17-1/2" x 3-1/2" inside dimension) that can be adjusted on 1-1/2" centers. The right side of the unit features three drawers (13" x 17" x 2-1/2" inside dimension) that are mounted on adjustable drawer glides that can be mounted on 1/2" centers. With a mobile capacity of 500 lbs., it rolls easily on 4" swivel casters with brakes. Dimensions: 36"W x 24"D x 36"H. Weight: 175 lbs.



ITEM #	TOP
4901K	White Marker Board



> Mobile Balance Storage Cabinet

Constructed of solid oak and oak veneered plywood with chemical resistant, earth-friendly UV finish. Featured are locking doors, both front and back with unbreakable aluminum glides. Supplied with four adjustable shelves (weight capacity of 40 lbs. per sq. ft.). With a mobile capacity of 500 lbs., it rolls on heavy-duty swivel casters with brakes. The top is black 1-1/4" plastic laminate and furnishes an auxiliary work surface. Dimensions; Shelves are 3/4"H x 8"D x 42"L, Overall is 48"W x 24"D x 40"H. Weight: 230 lbs.

ITEM #	TOP
5201K*	Plastic Laminate

> **Mobile Micro-Charge Station**

A mobile oak cabinet that is equipped to recharge microscopes while they are safely stored behind locked doors. The peninsula style cabinet interior (8-1/2"W x 10"D x 16"H) holds 20 microscopes and has storage space for other essentials such as slides. All this with only one electrical connection from the cabinet's side. It is finished with a chemical resistant, earth-friendly UV finish. The 1-1/4" plastic laminate top doubles as a work surface. Mobile capacity: 500 lbs. Dimensions: 48"W x 30"D x 42-1/4"H. Weight: 311 lbs.



ITEM #	TOP
4741K*	Plastic Laminate



> **Mobile Microscope Storage Cabinet**

Provides a safe, convenient way to store your microscopes. It is constructed of solid hardwood, solid oak and oak veneers with a chemical resistant, earth-friendly UV finish. The front and back doors have locks. The unit contains removable wire dividers to provide an individual space for each individual microscope (6-3/4" x 10" x 15-1/2"). With a mobile capacity of 500 lbs., this cabinet rolls on heavy-duty swivel casters with brakes. The top is 1-1/4" black plastic laminate and furnishes an auxiliary work surface. The cabinet has storage for 24 standard microscopes. Dimensions: 48"W x 24"D x 40-3/4"H. Weight: 220 lbs.

ITEM #	TOP
4701K*	Plastic Laminate

> **Mobile Laptop Recharging Station**

Sliding hardwood plywood doors front and back provide safe, easy access to the charging station. Multiple outlet plug strips in the back section allow easy plug-in of up to 20 computers. The cords from the outlet strips can be fed through a hole in the floor of the unit so that the doors can be locked during charging. The wire dividers minimize heat buildup during charging. The unit is also equipped with vents and fan to disperse heat. The unit is constructed of oak and hardwood plywood with a 1-1/4" black plastic laminate top. With a mobile capacity of 500 lbs., this cabinet rolls on 4" heavy duty swivel locking casters. Laptop opening: 3-5/8"W x 13"D x 13"H. Dimensions: 48"W x 24"D x 36"H.



ITEM #	TOP
5301K*	Plastic Laminate



800.898.6649

SPECIALTY STORAGE

for EDUCATIONAL ENVIRONMENTS



WWW.LABSCAPE.COM

SPECIALTY STORAGE



SHOWN ABOVE Specialty Storage Cabinet



CC-4815-51K

> Wood Cubbies

A great way to store materials in your classroom. These cubby units are available in both oak and maple veneer and can be ordered in sections from one to four. Each section contains four cubbies, which measure: 10.5"W x 14"D x 10.5"H. The sections are divided with 3/4" veneered plywood and finished with a hard, UV finish. The back is designed to be anchored to a wall for stability. Black rubber base molding gives the cubby unit a finished look.

ITEM #	WOOD	SECTIONS	DIMENSIONS
CC-1215-51M	Maple	One	12"W x 15"D x 51"H
CC-2415-51M	Maple	Two	24"W x 15"D x 51"H
CC-3615-51M	Maple	Three	36"W x 15"D x 51"H
CC-4815-51M	Maple	Four	48"W x 15"D x 51"H
CC-1215-51K	Oak	One	12"W x 15"D x 51"H
CC-2415-51K	Oak	Two	24"W x 15"D x 51"H
CC-3615-51K	Oak	Three	36"W x 15"D x 51"H
CC-4815-51K	Oak	Four	48"W x 15"D x 51"H

Cabinet should be secured to the wall for safety. Mounting hardware is not included.

> Backpack Lockers

Store backpacks, coats and totes in these sturdy wood lockers. The backpack units are available in both oak and maple veneer and can be ordered in sections from one to four. Each section contains two small cubbies, which measure: 10-1/2"W x 14"D x 10-1/2"H and a larger backpack cubby, which measures: 10-1/2"W x 14"D x 26"H. The locker section has a double hook mounted for hanging jackets and backpacks. The sections are divided with 3/4" veneered plywood and finished with a hard, UV finish. The back is designed to be anchored to a wall for stability. Black rubber base molding gives the locker unit a finished look.

ITEM #	WOOD	SECTIONS	DIMENSIONS
BP-1215-51M	Maple	One	2"W x 15"D x 51"H
BP-2415-51M	Maple	Two	24"W x 15"D x 51"H
BP-3615-51M	Maple	Three	36"W x 15"D x 51"H
BP-4815-51M	Maple	Four	48"W x 15"D x 51"H
BP-1215-51K	Oak	One	2"W x 15"D x 51"H
BP-2415-51K	Oak	Two	24"W x 15"D x 51"H
BP-3615-51K	Oak	Three	36"W x 15"D x 51"H
BP-4815-51K	Oak	Four	48"W x 15"D x 51"H

Cabinet should be secured to the wall for safety. Mounting hardware is not included.



BP-4815-51K



> Tall Storage w/Glass Doors

Showcase your specimens with this beautiful clear glass door cabinet. Solid hardwood, solid oak and oak veneers, protected by a chemical resistant, earth-friendly UV finish. The oak framed 3/16" tempered glass doors are designed to crumble when broken preventing large dangerous shards. Each cabinet comes with a three-point locking system. The 24"W cabinet has one locking door that is hinged left. Glass door units have one fixed and four adjustable 1" shelves (weight capacity: 40 lbs. per sq. ft.) Dimensions: 22"D x 84"H.



ITEM #	PRODUCT	DOORS
315-2422	24"W Glass Door Storage	1 Glazed Door
358-3622*	36"W Glass Door Storage	2 Glazed Doors
358-4822*	48"W Glass Door Storage	2 Glazed Doors

Cabinet should be secured to the wall for safety. Mounting hardware is not included.

> Tall Storage w/Glass Doors

Two and four glass door oak display cabinets that are a great addition to the classroom. The top and bottom doors are divided making it easy to segregate your display types. The fixed shelf in the middle creates the ability to lock the top and the bottom doors separately. The right hinged doors have a lock which locks both right and left hinged (with astragal) doors. There is also a fixed bottom shelf and two adjustable shelves in the bottom and top sections each. Each shelf holds 40 lbs. per square foot. 36"W and 48"W units have 1" thick shelves. 24"W cabinets have 1" thick shelves. The display cabinet is made of oak veneers with solid wood framed glass doors. The glass doors are made of 3/16" tempered glass which is designed to crumble when broken, preventing injuries. The oak is finished with a non-emitting UV finish. The cabinet is available in three widths: 24" (two doors), 36" or 48"W (four door.) Overall dimensions: 22"D x 84"H.



ITEM #	PRODUCT	DOORS
320-2422	24"W Glass Door Storage	2 Glazed Doors
357-3622	36"W Glass Door Storage	4 Glazed Doors
357-4822	48"W Glass Door Storage	4 Glazed Doors

Cabinet should be secured to the wall for safety. Mounting hardware is not included.



> Tall Storage w/Oak Veneer Doors

Solid hardwood, solid oak and oak veneers with a chemical resistant, earth-friendly UV finish. Available with hinged oak doors. Each cabinet comes with a three-point locking system. Units 36" and wider have 1" shelves. 24" wide oak door units have 3/4" shelves, and one locking door that is hinged right. All units include two fixed and four adjustable shelves (weight capacity: 40 lbs. per sq. ft.)

ITEM #	PRODUCT	DOORS
313-2422	24"W Oak Tall Storage	1 Solid Door
353-3622*	36"W Oak Tall Storage	2 Solid Doors
353-4822*	48"W Oak Tall Storage	2 Solid Doors

Cabinet should be secured to the wall for safety. Mounting hardware is not included.



> Tall Storage w/Oak Veneer Doors

Beautiful two and four door cabinets. The top and bottom doors are divided making it easy to segregate your storage needs. The fixed shelf in the middle creates the ability to lock the top and bottom doors separately. The right hinged doors have a lock which locks both right and left hinged (with astragal) doors. There is also a fixed bottom shelf and two adjustable shelves in the bottom and top sections. The 24"W cabinet has two locking doors that are left hinged. Each shelf holds 40 lbs. per square foot. 36"W and 48"W units have 1" thick shelves. 24"W cabinets have 3/4" thick shelves. The storage cabinet is made of oak veneers with solid doors. The wood is finished with a non-emitting UV finish. Available in three widths: 24" (two doors), 36" or 48"W (four doors). Overall dimensions: 22"D x 84"H.



ITEM #	PRODUCT	DOORS
318-2422	24"W Oak Tall Storage	2 Solid Doors
356-3622	36"W Oak Tall Storage	4 Solid Doors
356-4822	48"W Oak Tall Storage	4 Solid Doors

Cabinet should be secured to the wall for safety. Mounting hardware is not included.



> Tote Tray Storage Cabinet

This organized storage case holds 48 hard plastic tote trays (tray dimensions: 19"W x 14-1/4"D x 3-1/2"H). A great place for students to store their art or science projects. Tote tray storage case has hinged oak doors with three-point locking handles. It is finished with a chemical resistant, earth-friendly UV finish. Includes 48 totes. Weight: 490 lbs. Overall Dimensions: 48"W x 22"D x 84"H.

ITEM #	PRODUCT
350-4822*	Tote Tray Storage Cabinet
100135*	Replacement Tote Tray

Cabinet should be secured to the wall for safety. Mounting hardware is not included.



> Tote tray & Shelving Storage Cabinet

A great place to store projects and larger objects...perfect for a science or art room. This unit is made up of solid oak and oak veneers with an earth-friendly, chemical resistant UV finish. The doors have three-point locking handles for secure storage. Inside you will find 24 hard plastic totes (19"W x 14-1/4"D x 3-1/2"H) and one fixed and two adjustable shelves. Includes 24 totes. Shelves hold up to 40 lbs. per square foot. Dimensions: 48"W x 22"D x 84"H.

ITEM #	PRODUCT
351-4822	Tote Tray & Shelving Storage Cabinet
100135*	Replacement Tote Tray

Cabinet should be secured to the wall for safety. Mounting hardware is not included.





> **Rock/Paper Storage Cabinet**

Whether you are storing paper, rocks, or insects this unit will fit the bill. Seven large drawers (4"H x 44"W x 26"D) big enough to hold large flat objects, each has a maximum weight limit of 100 lbs. The three shelves (two adjustable) allow you to store over-sized items like models. Shelves are 1" thick and hold up to 40 lbs. per square foot. Unit is constructed of oak and oak veneers with an earth-friendly, chemical-resistant UV finish. It has a three-point locking handle system. Overall Dimensions: 48"W x 30"D x 84"H.



ITEM #	PRODUCT
354-4830	Rock/Paper Storage Cabinet

Cabinet should be secured to the wall for safety. Mounting hardware is not included.



Unit above includes one of each : FFST-3624K (Top), FFS-3624K (Drawers), and FFSB-3624K (Base)

> **Flat File System**

Protect and store your art work, drawings or biological collections. These flat files hold papers up to 24" x 36". The inside of the drawers measure 37"W x 24-3/4"D x 1-1/2"H and feature full extension glides. Up to three units can be stacked providing you with ample storage. All three pieces are interlocking to each other or can be independent of each other. Start with the 4" toe kick which is covered with rubber base molding. Next stack the flat files (five drawers each) and for a finished look add the veneered top. Features include dovetailed drawers, your choice of veneered oak or maple, ADA compliant pulls and label holders.

ITEM #	PRODUCT	WOOD	SIZE
FFST-3624K	Flat File Finished Top	Oak	41"W x 28"D x 3/4"H
FFST-3624M	Flat File Finished Top	Maple	41"W x 28"D x 3/4"H
FFS-3624K	5-Drawer Middle Section	Oak	40-1/2"W x 27"D x 17"H
FFS-3624M	5-Drawer Middle Section	Maple	40-1/2"W x 27"D x 17"H
FFSB-3624	Separate Sub Base	N/A	40-1/2"W x 27"D x 4"H



> Wardrobe Cabinet

Constructed of oak veneers and solid hardwoods with a chemical resistant, earth-friendly UV finish. Half of the unit features a coat rod with a shelf above. Unit also includes two unexposed file drawers with full extension glides. One fixed and three adjustable shelves are found above the file drawers. Mirror measures: 13"H X 9.5"W. Unit has three-point latching handles which lock. Weight: 380 lbs.

ITEM #	DIMENSIONS
360-3622	36"W x 22"D x 84"H

Cabinet should be secured to the wall for safety. Mounting hardware is not included.

> Microscope Storage Cabinet

Constructed of solid oak, hardwood and oak veneers, using dowel construction, with a chemical resistant, earth-friendly UV finish. Solid oak framed glazed doors are hinged with three-point locking handles. Tempered glass is 3/16" thick. Microscopes are stored safely and conveniently on two fixed and three adjustable 1" shelves (weight capacity of 40 lbs. per sq. ft.). Adjustable wire dividers allow for storage of microscopes of various sizes. Dividers can be removed to use shelves for general storage. The 24"W cabinet has one locking door that is hinged right. Available in three sizes. 24"W x 16"D x 84"H holds 15 microscopes. 36"W x 16"D x 84"H holds 20 microscopes. 48"W x 16"D x 84"H holds 25-30 microscopes. Individual compartments can vary per size ordered; maximum size is 7-1/4"W x 14"H.

ITEM #	# OF DOORS	DIMENSIONS	WEIGHT
370-2416	1	24" Wide	230 lbs.
372-3616	2	36" Wide	290 lbs.
372-4816*	2	48" Wide	326 lbs.

Cabinet should be secured to the wall for safety. Mounting hardware is not included.



> **Micro-Charger Glass Door Cabinet**

This beautiful oak cabinet with tempered glass doors is finished with a chemical resistant, earth-friendly UV finish. It is equipped to recharge up to 16 cordless microscopes (not included) within eight hours while it is safely stored behind locked doors (Microscope Dimensions: 8-3/4"W x 12-1/4"D x 16-3/4"H). All this with only one electrical connection. The microscopes are protected from theft by a three-point locking handle. Overall size: 36"W x 16"D x 84"H.

ITEM #	PRODUCT	DIMENSIONS	WEIGHT
373-3616	Micro-Charger Glass Door Cabinet	36"W x 16"D x 84"H	255 lbs.

Cabinet should be secured to the wall for safety. Mounting hardware is not included.



Skeletons not included.



> **Skeleton Cabinet**

Choose the model that suits your classroom skeleton—either on a rolling stand or a hanging model on a retractable glide. Constructed of solid oak and oak veneers, with a chemical resistant, earth-friendly UV finish. The retractable glide is included in the hanging model. Both locking cabinets have wood framed 3/16" tempered glass doors for easy viewing. A shelf is included with each unit for extra storage. Overall size: 24"W x 22"D x 84"H. Wt. 220 lbs.

ITEM #	PRODUCT
375-2422	Hanging Model Cabinet
377-2422	Roll-in Cabinet

Cabinet should be secured to the wall for safety. Mounting hardware is not included. Skeleton is not included.

WWW.LABSCAPE.COM

800.898.6649

INFO@LABSCAPE.COM
