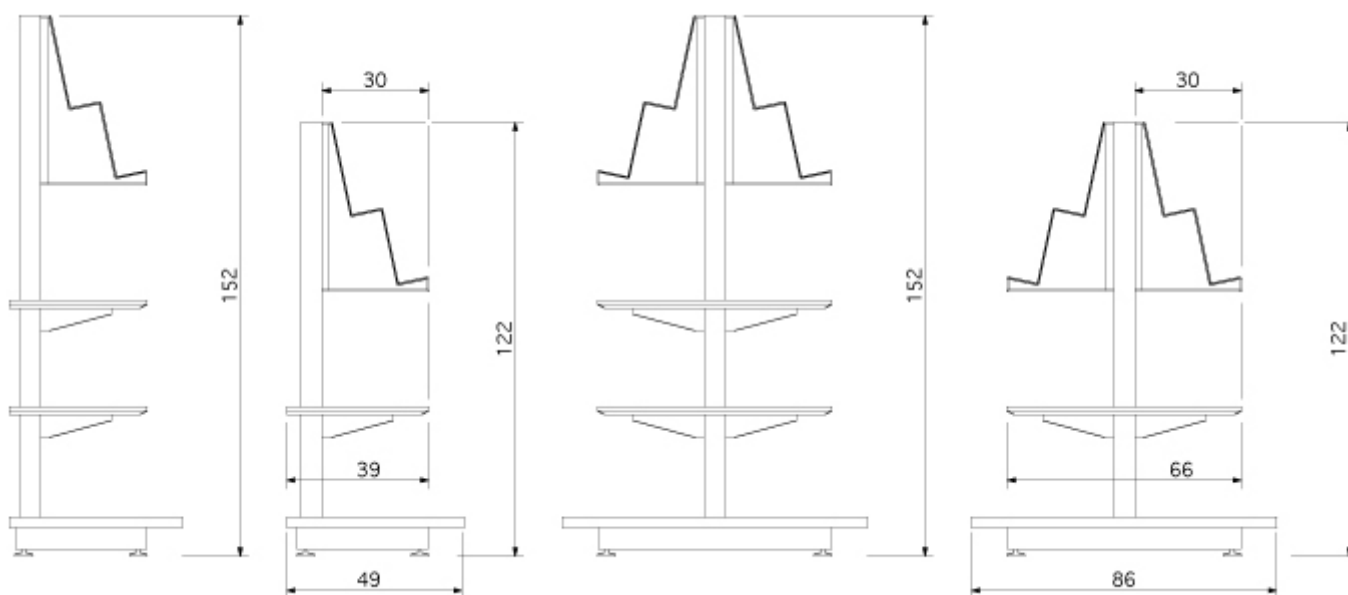


60/30 EXPO



60/30 Expo is made of steel uprights, painted wooden shelves and acrylic display shelves. The steel uprights and painted wooden shelves are available in all our standard colours. Choose between round or straight shelving corners. 60/30 Expo is available in heights 122 cm and 152 cm with depth 30 cm and width 90 cm. It is available as both single- and double-sided and as starter- and add-on bay (maximum 3 bays).

Please note: wooden shelves cannot be placed next to an acrylic shelf and wooden shelves cannot be placed in front of intermediate panels.



60/30 EXPO

60/30 Expo consists of components, which are used for the classic shelving configurations along with a series of specific 60/30 Expo components.

Please note that all drawings show shelves with straight corners and not shelves with round corners.

Please find below a component overview showing all components which are relevant for 60/30 Expo.

Component

1. Upright, 60/30	B301000XXX
2. Crossbar, 60/30	B301012X
3. Acrylic display shelf, 60/30 Expo*	B308500XX
4. Sign incl. brackets and fittings, 60/30 Expo (not shown)	B308503X
5. Bracket for shelf, 60/30 Expo**	B308504X
6. Bottom shelf with round corners, 60/30 Expo (not shown)	B308505XXXXX
7. Bottom shelf with straight corners, 60/30 Expo	B308506XXXXX
8. Shelf with round corners, 60/30 Expo (not shown)	B308508XXXXX
9. Shelf with straight corners, 60/30 Expo	B308509XXXXX
10. Back panel, wood, 60/30	B301900XX
11. Back panel with fabric, 60/30 (not shown)	B301800XX
12. Shelf with back panel overlap with round corners, 60/30 Expo (not shown)	B308511XXXXX
13. Shelf with back panel overlap with straight corners, 60/30 Expo	B308512XXXXX
14. Castors without brake (not shown - not included in configurations)	B3060000
15. Castors with brake (not shown - not included in configurations)	B3060001

* Single shelving = 1 pcs. per bay / double shelving = 2 pcs. per bay

** To be mounted in all uprights to support shelf (not used for bottom shelf)

