



DRAPER

FlexShade®

WINDOW SHADE
2017 RETAIL PRICE LIST
Effective February 13, 2017

*PRICES SUBJECT TO CHANGE WITHOUT NOTICE.
ALL PRICES SHOWN ARE FOB FACTORY, SPICELAND, IN.
DEALER DISCOUNT: 50% FOB FACTORY*

Shade Fabric Reference Guide

	Fabric Name	Interior Mesh	Interior Blackout	Exterior Mesh	Exterior Blackout	Interior Translucent	PVC Free
PHIFER	SheerWeave Basic						
	SheerWeave Infinity 2						
	SheerWeave Performance +						
	SheerWeave SW1000						
	SheerWeave SW2000 / 2100						
	SheerWeave SW2500 / 2400 / 2900 / 2600						
	SheerWeave SW2701 / 2703 / 2705 / 2710						
	SheerWeave SW3000						
	SheerWeave PW3500 / 4100 / 4400						
	SheerWeave PW4500 / 4600						
	SheerWeave PW4550 / 4650						
	SheerWeave PW4800						
	SheerWeave PW4901 / 4903						
	SheerWeave SW5000						
	SheerWeave SW7000						
	SheerWeave SW7100						
	SheerWeave SW7500						
TuffScreen							
MERMET	Avila Twilight						
	E Screen						
	E Screen with KoolBlack Technology						
	Flocké						
	GreenScreen Evolve						
	GreenScreen Revive						
	M-Screen						
	Natte						
	Satine						
	T-Screen						
	T-Screen with KoolBlack Technology						
	Vienne						
	Vizela						
	FERRARI	Soltis 86					
Soltis 88							
Soltis 92							
Soltis B92							
Soltis 99							
DRAPER	SunBloc SB9000						
	SunBloc SB9100						
ROCKLAND	Roc-Rol						
VEROSOL	SilverScreen						
ALKENZ	3000 CA						
	3000 HT						
	3000 RR						
	3000 SS						
	4000 NET						
	Fabric Name	Interior Mesh	Interior Blackout	Exterior Mesh	Exterior Blackout	Interior Translucent	PVC Free

Shade Fabric Information

SheerWeave® Basic by Phifer		Interior	
38% fiberglass, 62% vinyl on fiberglass in a full basket weave			
Roll Width:	98"	Fire Protection:	NFPA 701
Bacteria & Fungi Resistant:	ASTM G21; Microban Protection		
Certifications:	GreenGuard Gold; Lead Free RoHS; REACH Certified		
Colors Available:	White/Bone, White, White/Platinum, Charcoal/Grey & Charcoal		
Openness Factors	1% Open:	Thickness: 0.033"	Weight: 14.63 oz/sq yd
	3% Open:	Thickness: 0.025"	Weight: 16.40 oz/sq yd
	5% Open:	Thickness: 0.022"	Weight: 14.10 oz/sq yd

SheerWeave® Infinity 2 by Phifer		Interior	
20% TPO fiber yarn, 80% TPO coating on TPO in a full basket weave			
Roll Width:	63" and 98"	Fire Protection:	NFPA 701
Bacteria & Fungi Resistant:	ASTM E2180		
Certifications:	GreenGuard Gold; Lead Free RoHS; PVC free & 100% Recyclable		
Colors Available:	White/Bone, White, White/Platinum, Charcoal/Grey & Charcoal		
Openness Factors	3% Open:	Thickness: 0.031"	Weight: 13.69 oz/sq yd
	5% Open:	Thickness: 0.030"	Weight: 12.82 oz/sq yd

SheerWeave® Performance + by Phifer		Interior	
34% Fiberglass, 62% Vinyl on Fiberglass in a full basket weave			
Roll Width:	63" and 94"	Fire Protection:	NFPA 701
Bacteria & Fungi Resistant:	ASTM E2180; Microban Protection		
Certifications:	Greenguard Gold		
Colors Available:	Oyster, Oyster/Beige, Oyster/Pearl Grey, Beige, Beige/Pearl Grey, Pearl Grey, Charcoal/Alpaca, Charcoal, Charcoal/Gray, Charcoal/Chestnut		
Openness Factors	Style 2500 (1% Open):	Thickness: 0.024"	Weight: 16.39 oz/sq yd
	Style 2410 (3% Open):	Thickness: 0.019"	Weight: 11.10 oz/sq yd
	Style 2390 (5% Open):	Thickness: 0.018"	Weight: 11.80 oz/sq yd

SunTex 90 by Phifer		Exterior / Interior	
34% Fiberglass, 62% Vinyl on Fiberglass in a full basket weave			
Roll Width:	36", 48", 60", 72" & 96"	Fire Protection:	NFPA 101 (Class A Rating)
Bacteria & Fungi Resistant:	ASTM E2180 & G22; Microban Protection		
Certifications:	GreenGuard Gold; Lead Free RoHS		
Colors Available:	Coconut, Coral, Dark Bronze, Rattan, Toast, Toffee, Walnut & Wheat		
Openness Factor	10% Open:	Thickness: 0.039"	Weight: 17.20 oz/sq yd

SunTex 90 Design by Phifer		Exterior / Interior	
31% polyester, 69% vinyl in a full basket weave			
Roll Width:	96"	Fire Protection:	NFPA 101 (Class A Rating)
Bacteria & Fungi Resistant:	ASTM E2180 & G22; Microban Protection		
Certifications:	GreenGuard Gold		
Colors Available:	White/Bone, White, White/Platinum, Charcoal/Grey & Charcoal		
Openness Factor	10% Open:	Thickness: 0.039"	Weight: 10.20 oz/sq yd

SunTex 95 by Phifer		Exterior / Interior	
28% Polyester, 72% Vinyl in a full basketweave			
Roll Width:	126"	Fire Protection:	NFPA 101 (Class A Rating)
Bacteria & Fungi Resistant:	ASTM E2180 & G21; Microban Protection		
Certifications:	GreenGuard Gold; Lead Free RoHS; Melanoma International Foundation Approved		
Colors Available:	Sand, Chestnut, White, White/Grey, Alpaca, Mocha, Dark Bronze & Black		
Openness Factor	5% Open:	Thickness: 0.029"	Weight: 15.40 oz/sq yd

SheerWeave® SW1000 by Phifer		Exterior / Interior	
35% Fiberglass, 65% Vinyl on Fiberglass in an open, ribbed weave			
Roll Width:	36", 48", 60", 72" & 84"	Fire Protection:	NFPA 101 (Class A Rating)
Bacteria & Fungi Resistant:	ASTM E2180 & G21; Microban Protection		
Certifications:	GreenGuard Gold; Lead Free RoHS		
Colors Available:	White, Antique White		
Openness Factor	25% Open:	Thickness: 0.020"	Weight: 8.80 oz/sq yd

SheerWeave® SW2000 / 2100 by Phifer		Interior / Exterior	
37% vinyl on fiberglass, 63% PVC in a full basket weave			
Roll Width:	63", 98" & 126"	Fire Protection:	NFPA 101 (Class A Rating)
Bacteria & Fungi Resistant:	ASTM E2180 & G22; Microban Protection		
Certifications:	GreenGuard Gold; Lead Free RoHS		
Colors Available:	White, White/Bone, Bone, Bone/Platinum, White/Platinum, Platinum, Bronze, Charcoal, Charcoal/Grey and Charcoal/Chestnut		
Openness Factors	SW2000 (5% Open):	Thickness: 0.019"	Weight: 14.26 oz/sq yd
	SW2100 (10% Open):	Thickness: 0.020"	Weight: 14.40 oz/sq yd

SheerWeave® SW2400 / 2500 / 2600 / 2900 by Phifer		Interior / Exterior	
35% fiberglass 65% PVC on fiberglass in a full basket weave			
Roll Width:	63", 96" & 126"	Fire Protection:	NFPA 701
Bacteria & Fungi Resistant:	ASTM E2180 & G21; Microban Protection		
Certifications:	GreenGuard Gold; Lead Free RoHS; REACH Certified		
Colors Available:	Oyster, Oyster/Beige, Oyster/Pearl Grey, Beige, Beige/Pearl Grey, Pearl Grey, Charcoal, Charcoal/Alpaca, Charcoal/Grey and Charcoal/Chestnut		
Openness Factors	SW2400 (3% Open):	Thickness: 0.019"	Weight: 13.90 oz/sq yd
	SW2500 (1% Open):	Thickness: 0.024"	Weight: 16.10 oz/sq yd
	SW2600 (10% Open):	Thickness: 0.017"	Weight: 10.50 oz/sq yd
	SW2900 (5% Open):	Thickness: 0.017"	Weight: 11.90 oz/sq yd

SheerWeave® SW2701 / 2703 / 2705 / 2710 by Phifer		Interior / Exterior	
36% fiberglass, 64% vinyl on fiberglass in a twill weave			
Roll Width:	63", 98" & 126"	Fire Protection:	NFPA 701
Bacteria & Fungi Resistant:	ASTM E2180 & G21; Microban Protection		
Certifications:	GreenGuard Gold; Lead Free RoHS; REACH Certified		
Colors Available:	Oyster, Oyster/Beige, Oyster/Pearl Grey, Beige, Beige/Pearl Grey, Pearl Grey, Charcoal, Charcoal/Alpaca, Charcoal/Grey and Charcoal/Chestnut		
Openness Factors	SW2701 (1% Open):	Thickness: 0.026"	Weight: 14.10 oz/sq yd
	SW2703 (3% Open):	Thickness: 0.028"	Weight: 14.00 oz/sq yd
	SW2705 (5% Open):	Thickness: 0.025"	Weight: 11.80 oz/sq yd
	SW2710 (10% Open):	Thickness: 0.025"	Weight: 10.40 oz/sq yd

SheerWeave® SW3000 by Phifer		Interior / Exterior	
35% fiberglass, 65% vinyl on fiberglass in an open, ribbed weave			
Roll Width:	72" & 96"	Fire Protection:	NFPA 701
Bacteria & Fungi Resistant:	ASTM E2180 & G21; Microban Protection		
Certifications:	GreenGuard Gold; Lead Free RoHS; REACH Certified		
Colors Available:	Mushroom Sand, Pearl White, Custard Cream, Sand Dollar, Honey Sage, Pale Grey, Ninja Grey, Espresso and Chocolate		
Openness Factor	14% Open:	Thickness: 0.028"	Weight: 13.46 oz/sq yd

Shade Fabric Information

SheerWeave® PW3500 / 4100 / 4400 by Phifer		Interior / Exterior	
25% polyester, 75% PVC on polyester in a full basketweave			
Roll Width:	63", 84", 98" & 126"	Fire Protection:	NFPA 701
Bacteria & Fungi Resistant:	ASTM E2180 & G21; Microban Protection		
Certifications:	GreenGuard Gold; Lead Free RoHS; REACH Certified		
Colors Available:	Snowy White (Chalk), Bone (Pebblestone), Greystone, Soft Grey (Pewter), Granite, Ash, Linen (Alabaster), Ebony (Black) and Tobacco		
Openness Factors	PW3500 (5% Open):	Thickness: 0.036"	Weight: 19.20 oz/sq yd
	PW4100 (10% Open):	Thickness: 0.025"	Weight: 17.50 oz/sq yd
	PW4400 (3% Open):	Thickness: 0.037"	Weight: 20.70 oz/sq yd

SheerWeave® PW4500 / 4600 by Phifer		Interior / Exterior	
17% polyester, 83% PVC on polyester in a full basket weave			
Roll Width:	63" & 98"	Fire Protection:	NFPA 701
Bacteria & Fungi Resistant:	ASTM E2180; Microban Protection		
Certifications:	GreenGuard Gold; Lead Free RoHS; REACH Certified		
Colors Available:	Chalk, Granite, Ecru, Golden Sand, Ebony, Sandstone, Sable, Linen, Cappuccino, Pewter and Dark Bronze		
Openness Factors	PW4500 (5% Open):	Thickness: 0.024"	Weight: 14.40 oz/sq yd
	PW4600 (3% Open):	Thickness: 0.030"	Weight: 17.40 oz/sq yd

SheerWeave® PW4550 / 4650 by Phifer		Interior / Exterior	
17% polyester, 83% PVC on polyester in a directional weave			
Roll Width:	63" & 98"	Fire Protection:	NFPA 701
Bacteria & Fungi Resistant:	ASTM E2180 & G21; Microban Protection		
Certifications:	GreenGuard Gold; Lead Free RoHS; REACH Certified		
Colors Available:	Granite, Linen, Coal and Chestnut		
Openness Factors	PW4550 (5% Open):	Thickness: 0.025"	Weight: 12.50 oz/sq yd
	PW4650 (3% Open):	Thickness: 0.026"	Weight: 13.30 oz/sq yd

SheerWeave® PW4800 by Phifer		Interior / Exterior	
24% polyester, 76% vinyl on polyester in a directional weave			
Roll Width:	63", 96" & 126"	Fire Protection:	NFPA 701
Bacteria & Fungi Resistant:	ASTM E2180 & G21; Microban Protection		
Certifications:	GreenGuard Gold; Lead Free RoHS		
Colors Available:	Alabaster, Grey, Chalk, Pearl, Mocha, Sand, Taupe, Clay, Fleece, Mink, Flint and Ebony		
Openness Factor	1% Open:	Thickness: 0.025"	Weight: 12.50 oz/sq yd

SheerWeave® PW4901 / 4903 by Phifer		Interior / Exterior	
17% polyester, 83% PVC on polyester in a twill weave			
Roll Width:	63" & 98"	Fire Protection:	NFPA 701
Bacteria & Fungi Resistant:	ASTM E2180 & G21; Microban Protection		
Certifications:	GreenGuard Gold; Lead Free RoHS; REACH Certified		
Colors Available:	Chalk, Soft Grey, Ebony, Chalk/Wheat, Whitesands, Birch, Flexen, Cobblestone, Pewter/Chalk, Kettal Grey, Chalk/Black, Slate, Tobacco		
Openness Factors	PW4901 (1% Open):	Thickness: 0.028"	Weight: 16.20 oz/sq yd
	PW4903 (3% Open):	Thickness: 0.027"	Weight: 14.90 oz/sq yd

Explanations of Certifications



This family of products is made from renewable content and is lead- and phthalate-free. That means greenhouse gas emissions can be reduced by as much as 40 % compared with existing PVC compounds. Yet the plasticizers meet all regulatory requirements for flame resistance and exhibit the same performance and feel of traditional plasticizers.



Microban® antimicrobial protection inhibits the growth of damaging bacteria, mold and mildew on the fabric.

SheerWeave® SW5000 by Phifer		Interior / Exterior	
Polyester yarn with a PVC coating in a decorative weave. Composition % varies by color.			
Roll Width:	74" & 98"	Fire Protection:	NFPA 701
Bacteria & Fungi Resistant:	ASTM E2180 & G21; Microban Protection		
Certifications:	GreenGuard Gold; Lead Free RoHS; REACH Certified		
Colors Available:	SW5000 is available in a variety of colors, openness factors, and weaves, contact Draper for latest offering.		
Openness Factor	Varies by Color	Thickness: 0.027"	Weight: 14.90 oz/sq yd

SheerWeave® SW7000 Blackout by Phifer		Interior	
100% Polyester with Acrylic Foam blackout backing			
Roll Width:	94" & 118"	Fire Protection:	NFPA 701
Bacteria & Fungi Resistant:	ASTM G21		
Certifications:	GreenGuard Gold; Lead Free RoHS; REACH Certified		
Colors Available:	White, Birch, Sand, Wheat, Graphite, Onyx, Canyon & Mushroom		
Openness Factor	0% Open Blackout:	Thickness: 0.026"	Weight: 12.00 oz/sq yd

SheerWeave® SW7100 Blackout by Phifer		Interior	
PVC-coated Fiberglass laminated with a 2-ply PVC blackout film			
Roll Width:	72" & 96"	Fire Protection:	NFPA 701
Bacteria & Fungi Resistant:	ASTM G21		
Certifications:	GreenGuard Gold; Lead Free RoHS; PVC Free		
Colors Available:	White, White/Bone, White/Platinum, Bone, Bone/Platinum, Canvas, Cocoa & Charcoal		
Openness Factor	0% Open Blackout:	Thickness: 0.023"	Weight: 19.80 oz/sq yd

SheerWeave® SW7500 Blackout by Phifer		Interior	
100% polyester with acrylic foam blackout coating			
Roll Width:	78", 98" & 118"	Fire Protection:	NFPA 701
Bacteria & Fungi Resistant:	ASTM G21		
Certifications:	GreenGuard Gold; Lead Free RoHS; PVC Free		
Colors Available:	Ice, Coconut, Moon, Spirit, Dune, Starfish, Mist, Orient & Midnight		
Openness Factor	0% Open Blackout:	Thickness: 0.013"	Weight: 11.80 oz/sq yd

TuffScreen by Phifer		Exterior	
100% polyester with acrylic foam blackout coating			
Roll Width:	120"	Fire Protection:	NFPA 701
Bacteria & Fungi Resistant:	ASTM G21		
Certifications:	GreenGuard Gold; Microban		
Colors Available:	Black		
Openness Factor	45% Open:	Thickness: 0.026"	Weight: 7.1 oz/sq yd



RoHS is the acronym for Restriction of Hazardous Substances. RoHS, also known as Directive 2002/95/EC, originated in the European Union and restricts the use of specific hazardous materials found in electrical and electronic products. All applicable products in the EU market after July 1, 2006 must pass RoHS compliance.



From www.greenguard.org: "GREENGUARD Certification ensures that a product has met some of the world's most rigorous and comprehensive standards for low emissions of volatile organic compounds (VOCs) into indoor air. "The GREENGUARD Gold standard includes health based criteria for additional chemicals and also requires lower total VOC emissions levels to ensure that products are acceptable for use in environments such as schools and healthcare facilities.

In addition to limiting emissions of more than 360 VOCs and total chemical emissions, GREENGUARD Gold Certified products must also comply with requirements of the State of California's Department of Public Health "Standard Method for the Testing and Evaluation of Volatile Organic Chemical Emissions from Indoor Sources Using Environmental Chambers, Version 1.1 (2010)" (also known as California Section 01350). Office Furniture products that are GREENGUARD Gold Certified are also compliant with the BIFMA X7.1 standard and BIFMA e3 credits 7.6.1, 7.6.2, and 7.6.3.

Shade Fabric Information

Avila Twilight Blackout by Mermet		Interior	
100% polyester with acrylic foam blackout coating			
Roll Width:	118"	Fire Protection:	NFPA 701
Bacteria & Fungi Resistant:	ASTM G21		
Certifications:	GreenGuard Gold; Lead Free RoHS; PVC Free		
Colors Available:	Ice, Coconut, Moon, Spirit, Dune, Starfish, Mist, Orient & Midnight		
Openness Factor	0% Open Blackout:	Thickness: 0.013"	Weight: 11.80 oz/sq yd

E-Screen by Mermet		Interior / Exterior	
36% fiberglass, 64% PVC on fiberglass in a full basket weave			
Roll Width:	78", 98" & 122"	Fire Protection:	NFPA 701
Bacteria & Fungi Resistant:	ASTM E2180		
Certifications:	GreenGuard Gold; Lead Free RoHS		
Colors Available:	White, White/Linen, Linen, White/Perle, Charcoal/Grey, Charcoal, Charcoal/Bronze, Grey/White and Grey/Grey		
Openness Factors	1% Open:	Thickness: 0.020"	Weight: 13.30 oz/sq yd
	3% Open:	Thickness: 0.020"	Weight: 12.30 oz/sq yd
	5% Open:	Thickness: 0.020"	Weight: 12.10 oz/sq yd
	10% Open:	Thickness: 0.022"	Weight: 10.30 oz/sq yd

E-Screen with KOOLBLACK by Mermet		Interior	
36% fiberglass, 64% PVC on fiberglass in a full basket weave			
Roll Width:	98" & 122"	Fire Protection:	NFPA 701
Bacteria & Fungi Resistant:	ASTM G21		
Certifications:	GreenGuard Gold, Lead Free RoHS; REACH Certified; KoolBlack Technology incorporates reflective properties into dark color fabrics to improve solar heat gain coefficient		
Colors Available:	Charcoal/Apricot, Charcoal/Charcoal, Charcoal/Cocoa, Cocoa/Apricot and Cocoa/Cocoa		
Openness Factors	3% Open:	Thickness: 0.020"	Weight: 11.30 oz/sq yd
	5% Open:	Thickness: 0.016"	Weight: 10.70 oz/sq yd

Flocké Blackout by Mermet		Interior	
42% fiberglass, 51% acrylic and 7% cotton flocked blackout backing			
Roll Width:	94.5"	Fire Protection:	NFPA 701
Bacteria & Fungi Resistant:	ASTM E2180 & G21		
Certifications:	RoHS Compliant		
Colors Available:	Blanc, Chartreux, Loutre, Mississippi and Sahel		
Openness Factors	0% Open:	Thickness: 0.022"	Weight: 14.70 oz/sq yd

GreenScreen Evolve by Mermet		Interior	
Zero waste, 100% recyclable, PVC free designer fabric constructed primarily of Repreve polyester in a diamond knit			
Roll Width:	118"	Fire Protection:	NFPA 701
Bacteria & Fungi Resistant:	ASTM E2180		
Certifications:	GreenGuard Gold; Cradle to Cradle Bronze		
Colors Available:	Cloud, Light, Natural, Haze, Shale, Shadow, Wind, Rain & Storm		
Openness Factors	1% Open:	Thickness: 0.029"	Weight: 8.97 oz/sq yd
	3% Open:	Thickness: 0.027"	Weight: 8.41 oz/sq yd
	5% Open:	Thickness: 0.026"	Weight: 7.93 oz/sq yd
	10% Open:	Thickness: 0.023"	Weight: 5.69 oz/sq yd

GreenScreen Revive by Mermet		Interior	
Zero waste, 100% recyclable, PVC free designer fabric minimum of 89% Repreve recycled polyester in a diamond knit			
Roll Width:	118"	Fire Protection:	NFPA 701
Bacteria & Fungi Resistant:	ASTM E2180		
Certifications:	Cradle to Cradle Silver; GreenGuard Bronze; Lead Free RoHS		
Colors Available:	White, Sand, Linen, Dusk, Onyx, Pewter, Stone, Mushroom & Suede		
Openness Factors	1% Open:	Thickness: 0.019"	Weight: 5.87 oz/sq yd
	3% Open:	Thickness: 0.019"	Weight: 5.87 oz/sq yd
	5% Open:	Thickness: 0.017"	Weight: 5.01 oz/sq yd

M-Screen by Mermet		Interior / Exterior	
36% fiberglass, 64% PVC on fiberglass in a full rib weave			
Roll Width:	78", 98" & 122"	Fire Protection:	NFPA 701
Bacteria & Fungi Resistant:	ASTM E2180 & G21		
Certifications:	GreenGuard Gold; RoHS Compliant		
Colors Available:	White/White, White/Linen, Linen, White/Stone, White/Perle, Perle, Perle/Linen, Charcoal, Linen/Stone, Charcoal/Grey, Charcoal/Sable, Charcoal/Apricot, Cocoa/Charcoal, Linen/Sable-Cocoa, Charcoal/Cocoa, Charcoal/Straw-Cocoa, White/Straw-Linen, Sable/Charcoal, Sable/Cocoa-Hazelnut, Charcoal/Phoenix-Cocoa, Cocoa/Brick Facade-Fall		
Openness Factors	3% Open:	Thickness: 0.022"	Weight: 12.70 oz/sq yd
	5% Open:	Thickness: 0.022"	Weight: 12.10 oz/sq yd

Natte by Mermet		Exterior / Interior	
42% Fiberglass, 58% PVC on fiberglass in a full basket weave			
Roll Width:	98"	Fire Protection:	NFPA 701
Bacteria & Fungi Resistant:	ASTM E2180 & G21		
Certifications:	GreenGuard Gold; Lead Free RoHS; REACH Certified		
Colors Available:	Bronze, Charcoal, White/Stone, White/Mustard, Bronze/Grey, Bronze/Pearl, Bronze/Mustard, Charcoal Bronze, Charcoal/Fern, Bronze/Cocoa/Mandarin and White/Pearl-Grey		
Openness Factor	12% Open:	Thickness: 0.021"	Weight: 13.90 oz/sq yd

Satine by Mermet		Exterior / Interior	
42% fiberglass, 58% PVC on fiberglass in an offset twill weave			
Roll Width:	98"	Fire Protection:	NFPA 701
Bacteria & Fungi Resistant:	ASTM E2180 & G21		
Certifications:	GreenGuard Gold		
Colors Available:	White, White/Sable, White/Straw, Bronze, Bronze/Sable, Charcoal/Grey, Charcoal/Bronze, Charcoal		
Openness Factor	5% Open:	Thickness: 0.030"	Weight: 15.80 oz/sq yd

Shade Fabric Information

T-Screen by Mermet		Interior / Exterior	
36% fiberglass, 64% PVC on fiberglass in an offset twill weave			
Roll Width:	98"	Fire Protection:	NFPA 701
Bacteria & Fungi Resistant:	ASTM E2180 & G21		
Certifications:	GreenGuard Gold; RoHS Compliant		
Colors Available:	Classic Colors: Sable/Charcoal, White/Linen, White/Sable-Mustard, White/Sable-Cocoa, Sable/Linen, Cocoa/Cocoa, White/White, White/Pearl, White/Charcoal-Grey, Charcoal/Linen-Pearl, Charcoal/Grey, Charcoal/Charcoal Fusion Colors: Charcoal/Fall-Hazelnut, Cocoa/Grey-Straw, White/Sable-Straw, Sable/Straw-Cocoa, Sable/Cocoa-Hazelnut, Cocoa/Apricot-Mustard, Cocoa/Sable-Linen, White/Sable, Cocoa/Phoenix-Mustard, Cocoa/Phoenix-Fall, Cocoa/Sable-Cocoa, Charcoal/Sable-Cocoa		
Openness Factor	3% Open:	Thickness: 0.025"	Weight: 11.60 oz/sq yd

T-Screen with KOOLBLACK by Mermet		Interior	
36% fiberglass, 64% PVC on fiberglass in a satin weave			
Roll Width:	98" & 122"	Fire Protection:	NFPA 701
Bacteria & Fungi Resistant:	ASTM G21		
Certifications:	GreenGuard Gold; Lead Free RoHS; REACH Certified; KoolBlack Technology incorporates reflective properties into dark color fabrics to improve solar heat gain coefficient		
Colors Available:	Charcoal/Apricot, Charcoal/Charcoal, Charcoal/Cocoa, Cocoa/Apricot and Cocoa/Cocoa		
Openness Factors	3% Open:	Thickness: 0.020"	Weight: 11.30 oz/sq yd
	5% Open:	Thickness: 0.016"	Weight: 10.70 oz/sq yd

Vienne by Mermet		Exterior / Interior	
42% fiberglass, 58% PVC on fiberglass in a basket weave			
Roll Width:	98"	Fire Protection:	NFPA 701
Bacteria & Fungi Resistant:	ASTM E2180 & G21		
Certifications:	GreenGuard Gold; RoHS Compliant		
Colors Available:	White, White/Linen, Bronze/Mandarin, Bronze/Straw, Bronze/Apricot, Charcoal/Grey, Charcoal/Pearl, Charcoal/Sable, Charcoal, Charcoal/Denim and Charcoal/Pine		
Openness Factor	10% Open:	Thickness: 0.021"	Weight: 10.40 oz/sq yd

Vizela by Mermet		Interior	
100% fiberglass with an EVA coating in a rib weave			
Roll Width:	94.5"	Fire Protection:	NFPA 701
Bacteria & Fungi Resistant:	ASTM E2180 & G21		
Certifications:	GreenGuard Gold; RoHS Compliant		
Colors Available:	Mississippi, Loure, Chartreux, Sahel and Blanc		
Openness Factor	1% Open:	Thickness: 0.013"	Weight: 8.70 oz/sq yd

Soltis B92 BLACKOUT by Ferrari		Exterior / Interior	
PVC-coated polyester and pre-tensioning process for dimensional stability			
Roll Width:	66.9"	Fire Protection:	NFPA 701
Bacteria & Fungi Resistant:	ASTM E2180 & G21		
Certifications:	GreenGuard Gold; Txyloop Certified		
Colors Available:	Bronze, White, Champagne, Hemp, Sandy Beige, Boulder and Black		
Openness Factor	4% Open:	Thickness: 0.018"	Weight: 12.40 oz/sq yd

Soltis 86 by Ferrari		Exterior / Interior	
PVC-coated polyester and pre-tensioning process for dimensional stability			
Roll Width:	69.7" or 105.1"	Fire Protection:	NFPA 701
Bacteria & Fungi Resistant:	ASTM E2180 & G21		
Certifications:	GreenGuard Gold; Txyloop Certified		
Colors Available:	Bronze, White, Champagne, Hemp, Sandy Beige, Boulder, and Black		
Openness Factor	14% Open:	Thickness: 0.017"	Weight: 11.20 oz/sq yd

Soltis 88 by Ferrari		Exterior / Interior	
PVC coated polyester with pre-tensioning process for dimensional stability			
Roll Width:	69.7" or 105.1"	Fire Protection:	NFPA 701
Bacteria & Fungi Resistant:	ASTM E2180 & G21		
Certifications:	GreenGuard Gold; RoHS Compliant		
Colors Available:	Bronze, White, Boulder, Alu/Alu, Concrete, Anthracite, Black, Champagne, Sandy Beige, Hemp, Pepper, Ash Brown, Bronze, Bamboo, Apricot, Paprika, Bermuda, Fig		
Openness Factor	8% Open:	Thickness: 0.016"	Weight: 9.75 oz/sq yd

Soltis 92 by Ferrari		Exterior / Interior	
PVC coated polyester with pre-tensioning process for dimensional stability			
Roll Width:	69.7" or 105.1"	Fire Protection:	NFPA 701
Bacteria & Fungi Resistant:	ASTM E2180 & G21		
Certifications:	GreenGuard Gold; Txyloop Certified		
Colors Available:	Bronze, White, Champagne, Hemp, Sandy Beige, Boulder and Black		
Openness Factor	4% Open:	Thickness: 0.018"	Weight: 12.40 oz/sq yd

Soltis 99 by Ferrari		Interior	
PVC-coated polyester with silver backing exterior facing side and pre-tensioning process for dimensional stability			
Roll Width:	69.7" or 105.1"	Fire Protection:	NFPA 701
Bacteria & Fungi Resistant:	ASTM E2180 & G21		
Certifications:	GreenGuard Gold; Txyloop Certified		
Colors Available:	White, Champagne, Hemp, Sandy Beige, Light Blue, Boulder, Black		
Openness Factor	3% Open:	Thickness: 0.013"	Weight: 9.0 oz/sq yd

Explanations of Certifications



Cradle to Cradle Certified™ Bronze by MBDC, indicates the product meets or exceeds a rigorous and holistic 5-criteria standard for environmental impact. These criteria include Material Health, Material Reutilization, Energy, Water, and Social Responsibility. This approach signifies a new paradigm in Green Manufacturing—not only working to reduce a product's negative environmental impact, but also working to increase its positive impact.



Texyloop is a closed loop system for the recycling of Polyester-PVC composite textiles. It is an initiative of the Ferrari® Group.



RoHS is the acronym for Restriction of Hazardous Substances. RoHS, also known as Directive 2002/95/EC, originated in the European Union and restricts the use of specific hazardous materials found in electrical and electronic products. All applicable products in the EU market after July 1, 2006 must pass RoHS compliance.



From www.greenguard.org: "GREENGUARD Certification ensures that a product has met some of the world's most rigorous and comprehensive standards for low emissions of volatile organic compounds (VOCs) into indoor air. "The GREENGUARD Gold standard includes health based criteria for additional chemicals and also requires lower total VOC emissions levels to ensure that products are acceptable for use in environments such as schools and healthcare facilities. In addition to limiting emissions of more than 360 VOCs and total chemical emissions,

GREENGUARD Gold Certified products must also comply with requirements of the State of California's Department of Public Health "Standard Method for the Testing and Evaluation of Volatile Organic Chemical Emissions from Indoor Sources Using Environmental Chambers, Version 1.1 (2010)" (also known as California Section 01350). Office Furniture products that are GREENGUARD Certified are also compliant with the BIFMA X7.1 standard and BIFMA e3 credits 7.6.1, 7.6.2, and 7.6.3.

Shade Fabric Information

SunBloc SB9000 Blackout by Draper Inc.		Interior	
Opaque, close woven fiberglass base textile with sun-resistant vinyl film bonded to each side. Same color both sides			
Roll Width:	72"	Fire Protection:	NFPA 701
Bacteria & Fungi Resistant:	ASTM E2180 & G21		
Colors Available:	White, Ivory, Tan, Grey, Black, Champagne, Dark Grey and Oyster		
Openness Factor	0% Open:	Thickness: 0.015"	Weight: 12 oz/sq yd

SunBloc SB9100 Blackout by Draper Inc.		Interior	
Opaque, close woven fiberglass base textile with sun-resistant vinyl film bonded to each side. White color on exterior side			
Roll Width:	72"	Fire Protection:	NFPA 701
Bacteria & Fungi Resistant:	ASTM G21		
Colors Available:	Ivory/White, Grey/White, Chocolate/White, Wheat/White, Dark Grey/White, Putty/White, Forest Green/White, Burgundy/White, Navy/White, Black/White		
Openness Factor	0% Open:	Thickness: 0.013"	Weight: 12 oz/sq yd

Roc-Rol Blackout by Rockland Industries, Inc		Interior	
Opaque, 70% PVC-free polyester and 30% cotton blend. White color on exterior side			
Roll Width:	84"	Fire Protection:	NFPA 701
Bacteria & Fungi Resistant:	ASTM G21		
Colors Available:	White, Pearl, Beige, Ecrú, Nutmeg, Hazelnut, Plum, Sage, Slate, Silver Grey, Black		
Openness Factor	0% Open:	Thickness: 0.025"	Weight: 13.50 oz/sq yd

SilverScreen by Verasol		Interior	
36% fiberglass and 64% vinyl, with ultra-fine aluminum backing on outside for glare control			
Roll Width:	75" & 94"	Fire Protection:	NFPA 701
Bacteria & Fungi Resistant:	ASTM G21		
Certifications:	GreenGuard Gold; RoHS Compliant		
Colors Available:	White, Pearl, Beige, Ecrú, Nutmeg, Hazelnut, Plum, Sage, Slate, Silver Grey, Black		
Openness Factor	0% Open:	Thickness: 0.025"	Weight: 13.50 oz/sq yd

3000 CA by Alkenz		Interior	
35% polyester, 65% PVC			
Roll Width:	98.4"	Fire Protection:	NFPA 701
Bacteria & Fungi Resistant:	ASTM G21		
Certifications:	GreenGuard Gold; Oeko-Tex Certified;		
Colors Available:	White/Floral White; White/Moccasin; White/Light Gray; Charcoal/Bronze; Charcoal/Charcoal; Charcoal/Dim Gray; White/Brown; Gray/Light Gray		
Openness Factor	3% Open:	Thickness: 0.018"	Weight: 9.44 oz/sq yd

3000 RR by Alkenz		Interior	
25% polyester, 75% PVC in a two by one basket weave			
Roll Width:	98.4"	Fire Protection:	NFPA 701
Bacteria & Fungi Resistant:	ASTM G21 & G22		
Certifications:	GreenGuard Gold; Oeko-Tex Certified;		
Colors Available:	Bronze/Sable; White/White; White/Sable; White/Beige; White/Light Gray; White/Yellow; White Pearl/Mandarin; Beige/Beige; Beige/Light Gray; Beige/Bronze; Bronze/Bronze; Bronze/Dim Gray; Bronze/Charcoal; Charcoal/Charcoal; Charcoal/Dim Gray; Charcoal/Mandarin Orange; Charcoal/Forest Green		
Openness Factor	3% Open:	Thickness: 0.022"	Weight: 12.53 oz/sq yd

3000 HT by Alkenz		Interior	
25% polyester, 75% PVC in a broken twill weave			
Roll Width:	98.4"	Fire Protection:	NFPA 701
Bacteria & Fungi Resistant:	ASTM G21 & G22		
Certifications:	GreenGuard Gold; Oeko-Tex Certified;		
Colors Available:	White/Floral White; White/Moccasin; White/Light Gray; Charcoal/Bronze; Charcoal/Charcoal; Charcoal/Dim Gray; White/Brown; Gray/Light Gray		
Openness Factors	3% Open:	Thickness: 0.024"	Weight: 12.24 oz/sq yd
	5% Open:	Thickness: 0.026"	Weight: 11.65 oz/sq yd

3000 SS by Alkenz		Interior	
25% polyester, 75% PVC in a two by one basket weave			
Roll Width:	98.4"	Fire Protection:	NFPA 701
Bacteria & Fungi Resistant:	ASTM G21 & G22		
Certifications:	GreenGuard Gold; Oeko-Tex Certified;		
Colors Available:	White/Beige; White/Gray		
Openness Factor	3% Open:	Thickness: 0.022"	Weight: 13.12 oz/sq yd

3000 NET by Alkenz		Interior	
PVC-coated polyester in a thin 2 x 2 basket weave			
Roll Width:	98.4"	Fire Protection:	NFPA 701
Bacteria & Fungi Resistant:	ASTM G21 & G22		
Certifications:	GreenGuard Gold; Oeko-Tex Certified;		
Colors Available:	White/White; White/Sable; White/Gray; White/Blue Gray; Dim Gray/Dim Gray; Dim Gray/Light Gray; Charcoal/Charcoal		
Openness Factor	1% Open:	Thickness: 0.027"	Weight: 15.28 oz/sq yd
	3% Open:	Thickness: 0.022"	Weight: 15.00 oz/sq yd
	5% Open:	Thickness: 0.022"	Weight: 13.50 oz/sq yd
	10% Open:	Thickness: 0.020"	Weight: 13.58 oz/sq yd

4000 NET by Alkenz		Interior	
27% polyester, 73% PVC on polyester in a full basket weave			
Roll Width:	98.4"	Fire Protection:	NFPA 701
Bacteria & Fungi Resistant:	ASTM G21 & G22		
Certifications:	GreenGuard Gold; Oeko-Tex Certified;		
Colors Available:	White/White, Dove/Dove, White/Beige, Dove/Sand, White/Gray, Cream/Cream, Beige/Beige, Beige/Sable, Beige/Gray, Gray/Gray, Gray/Dark Gray, Gray/Blue Gray, Bronze/Bronze, Charcoal/Charcoal, Charcoal/Bronze, Charcoal/Gray		
Openness Factors	3% Open:	Thickness: 0.029"	Weight: 16.07 oz/sq yd
	5% Open:	Thickness: 0.027"	Weight: 15.34 oz/sq yd
	10% Open:	Thickness: 0.025"	Weight: 13.86 oz/sq yd

FlexShade® Manufacturing Standards

Shades are measured width x height (W x H). For pricing purposes, always round up to next increment on pricing grids. Draper will not review previous orders unless specifically noted.

If controls/parts/components have been shipped separately and ahead of the Shades, it is the dealer's responsibility to inform Draper of the previous order number, so all components are compatible.

Draper will review orders of large Shades to determine whether steel stiffening battens are required. Contact Draper for details. There will be an extra cost if battens are required.

Measurements

Inside measurement is standard. Unless specified, Draper will make a small product specific deduction. If supplying cloth width measurement instead, please specify.

Brackets

Brackets are supplied as standard if no hardware is specified. Draper will not provide mounting fasteners.

Rollers

Roller diameters will not be matched, except upon request. This can be done by including room numbers to match. Matching sizes throughout a group may result in higher costs.

Hardware

Clear anodized is standard if hardware color is not specified. Hardware styles include small radius or square fascia (standard), large radius or square fascia (standard), small headbox, large headbox or dual roller with fascia. Surface headbox is standard, pocket is available by request.

For orders with multiple Shades, hardware size and style will be determined by the size and standard of the individual shade, and sizes and styles will not be matched as a group, unless a dealer clearly requests matching hardware. To request matching hardware, please include room numbers to match.

Operators

Right-hand operator location is standard. (The spring component is always inside the left end of the roller for spring-roller Shades.)

Stainless steel chain is standard for clutch-operated Shades.

Chain length is 6" less than shade height. Ivory is the standard color for switch and cover plate for motorized Shades.

Ordering IntelliFlex® controls will require a Draper sales representative to review the order.

White clutches and idlers are standard, black clutches and idlers available by request at no extra charge.

As standard, Draper includes M12 connector on most core motorized products. Available without M12 connector at no additional cost.

Fabric

Fabric will not be railroaded (transversed) except by request or when size requires it. This will result in higher cost.

Anything wider than 120" is special order only.

With the exception of T Screen by Mermet, 4901, and 4903 by Phifer the light side of all duplex fabrics will face the window as standard.

Draper is willing to accommodate special requests whenever possible. Unless quoted, any variations from our standard measurements or construction may result in a higher cost or handling fee may be applied.

Fabric Disclaimer: First quality fabric can have up to five imperfections. Draper strives to work around their imperfections, but on taller/wider Shades that is not always possible. Draper will minimize their imperfections, but cannot consider this a warrantable item.

How to Measure for Draper Shades

FlexShades® are custom fabricated for each opening, and must be measured accurately.

Determine the area to be covered, and decide where brackets or endcaps will be attached.

Be careful to allow for any irregularity which will interfere with the proper operation of the unit (i.e. handles, irregular trim, locks or opening not square and plumb).

Measuring for Inside Mount

For Inside Mounting, use the Inside Measure method. You will provide the exact width and height of the window opening, and we will make the product so that the shade unit—including hardware—is that width. Remember, that means the cloth will be slightly narrower than the window opening, and there will be light leakage around the sides of the shade.

Measuring is a simple two-part process. First, measure the width at the top of the window opening, where the shade mounting brackets will install. Send Draper the exact width measurement, rounded down to the nearest 1/16th of an inch.

Next, measure the height of the window opening from top to bottom, rounded down to the nearest 1/16th of an inch.

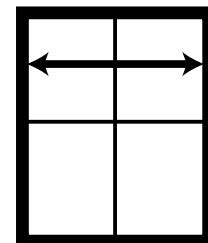
NOTE: In commercial construction there may be multiple windows within one window opening, separated by vertical aluminum mullions. Measure from the left side of the window opening to the center of the first mullion, then to the center of the second mullion, etc. Send Draper the exact measurements. Do not make deductions.

Measuring for Outside Mount

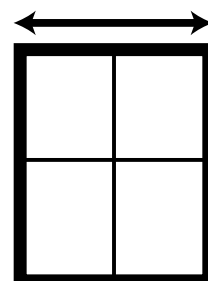
For Outside Mounting, measure the width on the wall above and overlapping the left and right sides of the window opening, where the brackets will install. A 2" cloth overlap on each side of the opening is typical. Allow sufficient height at the top above the window opening for the shade mounting hardware. Required height will vary depending upon model and size of shade—refer to price list.

Shade height will equal required height for shade mounting hardware plus height of window opening. If there is no protruding sill you may wish to add 2-3" at the bottom as well.

The overall width of the hardware will be greater than the measurement you send us. How much wider depends on the product.



Inside Mount



Outside Mount

Product Index

Cable Guide Assembly Kit.....	50	FlexShade® 2.....	19	Measuring for FlexShades®.....	8
Clutch Bottom-Up FlexShade® XD.....	76	FlexShade® Extrusions and Accessories.....	50	Minimum Widths for Draper Shades.....	10
Clutch Exterior FlexShades®.....	88	FlexShade® Manufacturing Standards.....	8	Motorized Bottom-Up FlexShade®.....	66
Clutch FlexShade®.....	28	FlexShade® Panels.....	65	Motorized Dual Roller Bottom-Up FlexShade®.....	71
Clutch FlexShade® XD.....	34	FlexShade® Sales Aids.....	96	Motorized FlexShade®.....	13
Colossal FlexShade®.....	20	FlexShade® ZIP.....	84	Order Change Policy.....	11
Contacting Draper.....	99	FlexWave Light Shelf.....	82	Panel Track.....	63
Coupler Brackets.....	51	Freight Considerations.....	10	Pocket FlexShades®.....	21
Crank & Motorized Exterior FlexShades®.....	91	Glossary of Window Shade Terms.....	9	Shade Fabrics Roll & Cut Goods Pricing.....	98
Dimensions for FlexShade® Systems.....	12	Graphic Shades.....	81	Skylight 2 FlexShade®—Motorized.....	61
Draper Patent Information.....	11	Husky Spring Rollers/Brackets/Slats.....	97	Skylight 3 FlexShade®—Motorized.....	62
Dual Roller FlexShades®.....	11	Interior Motor & Control Options.....	22	Skylight FlexShade®—Manual.....	60
Exterior FlexShades® Dimensions.....	83	LightBloc Shading System—Manual.....	54	Skylight FlexShade®—Motorized.....	59
Exterior Motors & Control Options.....	96	LightBloc Shading System—Motorized.....	53	Spring Roller Shade.....	43
Fabric Information.....	3	LightBloc ZIP.....	55	Techmatic Shade.....	40
				Terms and Conditions.....	11

Glossary of Window Shade Terms

Ball Stops—Upper and lower stopping limits for bead chain clutch Shades.

Batten— A horizontal stiffener that is inserted into a small pocket in the fabric panel, typically near the vertical center of the shade or at a seam.

Bead Chain—Operating chain for clutch Shades (available in stainless steel or ivory, grey, black, white or brown polyester).

Bead Chain Connector—Metal piece to connect ball chain.

Bracket—Mounting point for shade. Use the term "bracket" when ordering shade without fascia or headbox.

Bracket Cover—Decorative cover for brackets.

Ceiling/Wall Headbox—Consists of decorative front fascia panel and top back cover. Shade is accessible by removing front fascia.

Endcap with Fascia or Headbox—Endcaps provide mounting point for shade, and attachment point for fascia/headbox. No brackets are needed when endcaps are used.

Endcap Cover—Decorative cover for endcap.

Fascia—Decorative aluminum shade cover. Available in small square, small radius, large square, or large radius styles.

Pocket Style Headbox—Four sided cover intended for recessed installation. Shade is accessible from the bottom.

Railroad/Transverse—Width of window is greater than width of fabric. Pieces of fabric are rotated, seamed horizontally and trimmed to the correct width. In some cases several pieces may be seamed together to cover unusually tall windows. Not all fabrics are suitable for seaming.

Reverse Roll—Fabric is rolled off front of roller, away from window.

Seams—Two pieces of fabric joined together to make larger piece. All Draper seams are heat sealed.

Slat bar—Bottom shade weight which is enclosed in a neat sealed hem.

Spline Attachment—A method of attaching shade fabric to a roller. Fabric is welded to a plastic spline then inserted securely into a matching channel in the roller. May affect which shade sizes use small/large fascia or headbox.

Spring-Assist—Specialized roller which reduces resistance when raising a manual shade.

Spring-Loaded Chain Tension Device (Owl Clip)—Inhibits operation until mounted and locking mechanism is depressed.

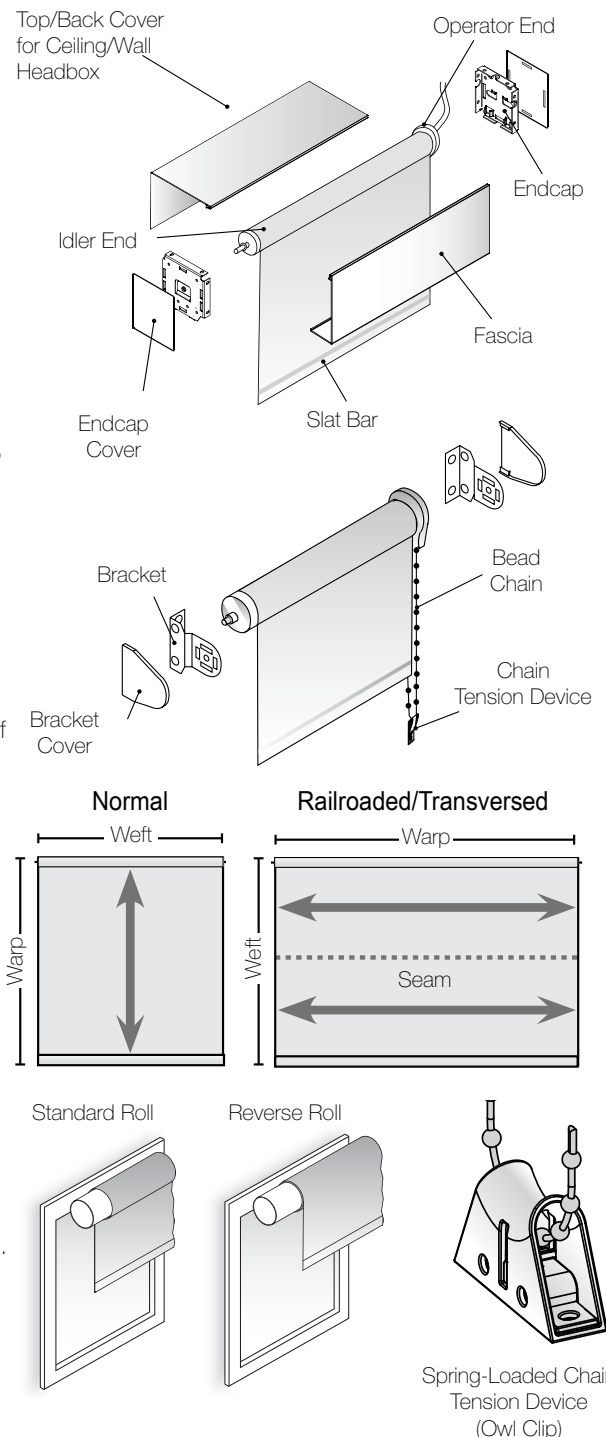
Stay—Metal strip to minimize fabric curling or for fabric retention in side channels.

Standard Roll—Fabric is rolled off back of roller, close to window.

"U" Channel—2 1/2" x 1" side channel for fabric.

Warp—The lengthwise threads that are held in tension on a shade fabric.

Weft—The yarn that is inserted over-and-under the warp threads.



Minimum Widths for Draper Shades

Motorized

Model	Minimum Width
Interior FlexShade®	27 1/2" OM
	29 3/4" OM with Sonesse RS485
	36 5/8" OM with Sonesse Ultra RS485
	29 1/2" OM with Altus or Sonnesse RTS Motors
	35 3/4" OM with Sonesse Ultra RTS
	21" OM with Recharge 25mm
	29 3/8" OM with Recharge 28 mm
	35 9/16" OM with Recharge 45 mm
	18 1/8" OM with Battery Operated Motor*
	18 1/8" OM with Recharge Battery Motor*
18 1/4" OM with 24V DC Quiet Motor	
Exterior FlexShade®	30 5/16" OM
	32 5/16" OM
LightBloc	28" OM
Skylight	29 1/8" OM
Access Dual Roller	27 5/8" OM
FlexShade® 2	27 3/4" IM
Colossal	36" OM
Skylight 2	36" OM
Skylight 3	41 7/8" OM
Bottom-Up	35" OM (Single Spring Pack)
Bottom-Up Dual Roller	42" OM (Dual Spring Pack)
FlexShade® ZIP 92	27 9/16"
FlexShade® ZIP 127	28 3/8"
LightBloc ZIP	31 1/2"
	28 3/8"

Crank

Model	Minimum Width
FlexShade®	6" OM
LightBloc	Contact Draper

Clutch

Model	Minimum Width
FlexShade®	6" OM
FlexShade® XD	6" OM
	19 3/4" with Spring Lift Assist
Techmatic	6" OM
LightBloc	Contact Draper
Bottom-Up XD	8"

Spring Roller

Model	Minimum Width OM
1" roller diameter	14 5/8" tip-to-tip (maximum cloth length 60")
1 1/4" roller diameter	24 1/4" tip-to-tip
1 1/2" roller diameter	27 5/8" tip-to-tip
1 3/4" roller diameter	33 7/8" tip-to-tip
2 1/4" roller diameter	47 1/2" tip-to-tip
3" roller diameter	48 7/8" tip-to-tip

Other

Model	Minimum Width
Panel Track	48" OM (track)
FlexWave Light Shelf	Contact Draper

* Battery wands exceed minimum width on this product.
See page 27 for battery accessory options.

Freight Damage Policy

One of our biggest mutual headaches is freight damage. There are two kinds:

Obvious Freight Damage—If you receive a shipment from us with obvious freight damage, **REFUSE IT** and inform us immediately so we can supply a replacement. We will charge you for the replacement at the originally quoted price and credit you upon the return of the original.

If you accept a shipment with obvious freight damage noted on the driver receipt and report it to us after the fact, we will supply a replacement at the originally quoted price and provide a partial credit upon the return of the original, based on its salvage value. The damaged product must be held at the original delivery address and in its original packaging.

Concealed Freight Damage—If you accept a shipment, it is **YOUR RESPONSIBILITY** to open it immediately and report any concealed freight damage to the delivering carrier immediately and in writing. Pursuing the claim is also your responsibility, but we will assist you to the best of our ability to secure a favorable settlement from the carrier. We will also provide a replacement product at the originally quoted price; and, if your claim is denied, we may accept the return of the freight damaged product for whatever credit we can provide, based upon its salvage value.

If you fail to report concealed freight damage to the delivering carrier immediately, neither you nor we have any recourse. We will provide a replacement product at the originally quoted price and, if you wish, we will accept the return of the damaged product for whatever credit we can provide, based upon its salvage value.

Please Note—

1. This policy applies to all shipments whether to you or to your customers.
2. Neither Draper nor the freight carrier will pay back charges, accessororial fees or expedited replacement charges in regard to freight damaged product and replacement.

Freight Considerations

Shipments are, by standard, made by the least expensive surface method except when you request special routing at the time of order. On small parcel ground shipments, we use UPS—unless you specify otherwise. Several items in this price list "dim out" to a larger weight than their actual physical weight. When one item ships alone, it may have to ship under its dimensional weight or may incur an "Oversize" charge under UPS regulations. Some items may also be too big for UPS, and will ship common carrier. If in doubt, please request a freight estimate.

• An additional charge of \$60 per standard skid will be charged for palletizing. Oversized skids are \$120.

Packages are packed to a maximum weight of 75 pounds, except where necessary to exceed 75 pounds. Special packaging requests may be honored, but may require a handling fee of \$60 per order.

Freight: All shipments will be prepaid and added to invoice.

Freight classifications:
Manually operated
FlexShades®—70
Motorized FlexShades®—92.5
Exterior FlexShades®—85
Controls Only—77.5
HUSKY Metal Rollers—85

Terms and Conditions

Draper sells only to authorized Draper dealers under this price list. Possession of the price list does not necessarily constitute an offer to sell.

All prices FOB factory except as noted. Prices and specifications subject to change without notice.

Freight Quotes: We are glad to quote freight rates based on your specific requirements. Unless you request it at the time of quotation, our freight quotes do not include extraordinary charges such as inside delivery, construction site delivery, arrival notice or reconsignment.

Acknowledgments: Draper provides an order acknowledgement for every order we enter. It is your responsibility to review and notify us of any corrections within 24 hours.

Orders are entered subject to Draper's terms. These terms may only be revised by a written agreement signed by a duly authorized representative of Draper, Inc. Any additional or different terms or conditions in the customer's order or confirmation are not accepted by Draper, Inc. Our invoice constitutes the final

written expression of all terms of sale and is a complete and exclusive statement of those terms. Any and all representations, promises, warranties or statements made or given to customer that differ in any way from the terms of our written invoice shall be given no force or effect.

Quotations: Purchase orders received by Draper without a valid quotation number will be processed and invoiced at regular net prices. In the event you later produce a valid quotation number, a processing fee of 2% may be added to the invoice.

Phone orders: We encourage you to place orders in writing and **THEY MUST BE** in a scannable format. We will make every attempt to fill verbal orders accurately, but we cannot guarantee that mistakes resulting from verbal miscommunication will be resolved in your favor. The maximum phone order is \$100. All other orders must be submitted in writing. Order forms available online at www.draperinc.com/ ShadeOrder.

Payment terms: 30 days net with approved credit. Payment by Visa, MasterCard and Discover Card accepted, with no surcharge. Payment is not charged to your card until we ship (exception possible with some custom items).

Return policy: Window Shades and other "custom made" and "Special Order" products may not be returned for credit. No product may be returned without a written Return Material Authorization. Returns will be subject to a restocking charge (except warranty repairs), and must be shipped freight prepaid in accordance with Draper's instructions.

Cancellation Policy: Cancelled orders may result in cancellation charges. While we will make every effort to minimize such charges, once an order is entered in to be manufactured, its cancellation may result in charges for material, labor, shipping or restocking.

Warranty: Shades that are outside standard size ranges shown in this price list may not be covered under factory warranty. Visit our website: www.draperinc.com/go/FlexShadeWarranty.htm for a copy of our warranty on shade products.

Order Change Policy

Draper's Shade Department is committed to processing customer orders in an accurate, efficient and timely manner. This allows our production facilities the best opportunity to deliver completed products in a timely fashion.

The following is the Draper Shade Department Policy on how customer requested change orders will routinely be serviced. This policy is intended to act as a guideline to Draper customers, salespeople and order entry personnel to establish a common understanding of the steps and timing involved in changes to orders:

Draper routinely provides a printed (faxed or emailed) Order Acknowledgment for every order we enter. This is provided to our customers to offer an opportunity to correct any errors or omissions in instructions being sent to the plant for the related customer requirement. Any change to an order within 24 hours of our dispatch of the acknowledgment will be processed with no alteration to the original order lead time, nor any change fees (excludes costs incurred resulting from a customer requested "rush" or expedited shipment, or any changes which increase the cost of the product).

If, after 24 hours there has been no response to our acknowledgment, we will assume the order has been accepted as entered.

If the customer requests a change be made after the 24 hour period, but before any plant production activities have been executed, a request for a change to the order will be accepted. Change requests of this nature will result in the order lead time being reset as if this were a NEW order being entered. Current standard lead time for the products in question will be reassigned to the order.

If the customer requests a change be made after the order has been prepared, and after any plant production activities have been executed, the order change will be tentatively accepted pending review by the appropriate inside shade salesperson. The salesperson will make a determination as to what costs have been incurred that cannot be recovered due to the timing of the change request. The customer may then choose either to have the order completed as originally entered or will accept the additional charge and ask that the change be executed. See charges listed below.

a. If the order is to be **completed "as is"**, it will be returned to the production floor and will be manufactured as close to the original "promise" date as possible, PLUS the number of days it was held up for processing the change request.

b. If the order is to be **changed**, order clerks will edit the order, and the order lead time will be reset as if this were a NEW order being entered with the current standard lead time for the products in question.

c. **Change Order charges** are as follows: If only hardware has been cut, the change order charge is 25% of the order. If hardware and fabric have been cut, the charge is 75% of the order. If the order is complete and packed, the charge is 100% of the original order.

d. If a purchase order is placed with Draper and the customer later cancels or reduces the quantity on the order, the customer may still be held responsible for the cost of the material purchased for the order. Examples of material purchased for an order may include, but is not limited to, fabric, hardware, paint, motors and controls.

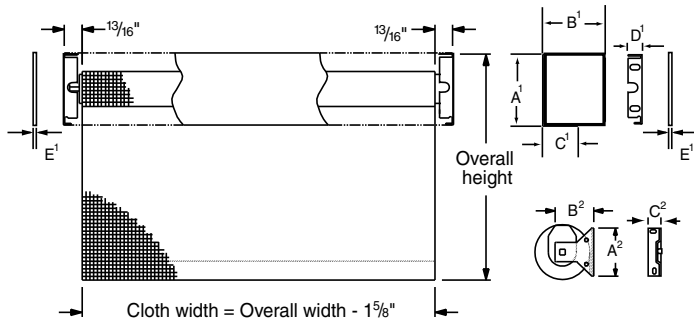
In the event a customer requests changes to their orders on a more than usual frequency Draper may, at our option, implement an "Acknowledge and Hold" process, requiring the dealer in question to confirm receipt and acceptance of our order acknowledgment prior to releasing it to production. (This may delay the order lead-time by the length of the lapse between our acknowledgment being sent and the dealer's confirmation of acceptance).

Draper Patent Information

Draper's engineering team is continually creating new and unique products and design improvements. Many of our innovations are covered by patents. You may see a list of patented products here: <http://www.draperinc.com/legal/patents/>

Dimensions for FlexShade® Systems

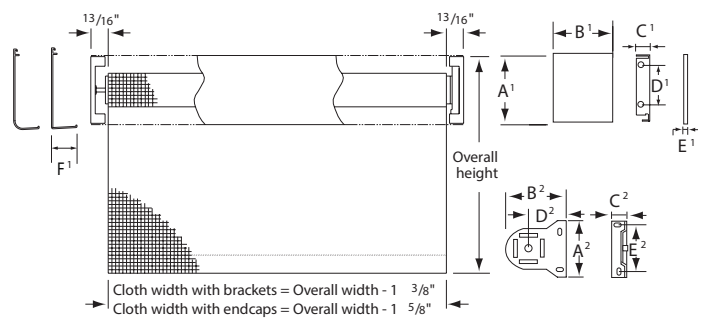
Motorized FlexShade®



Headbox with End Caps		End Caps with Fascia		Brackets*	
	SMALL	LARGE		SMALL	LARGE
A ¹	3 ¹⁵ / ₁₆ "	4 ¹¹ / ₁₆ "	A ¹	3 ⁷ / ₈ "	4 ⁵ / ₈ "
B ¹	3 ⁷ / ₁₆ "	4 ¹¹ / ₁₆ "	B ¹	3 ³ / ₈ "	4 ⁵ / ₈ "
C ¹	1 1/2"	1 5/8"	C ¹	1 1/2"	1 5/8"
D ¹	5/8"	5/8"	D ¹	5/8"	5/8"
E ¹	1/16"	3/32"	E ¹	1/16"	3/32"

Refer to pricing charts beginning on page 13.

Clutch & Clutch XD FlexShade®



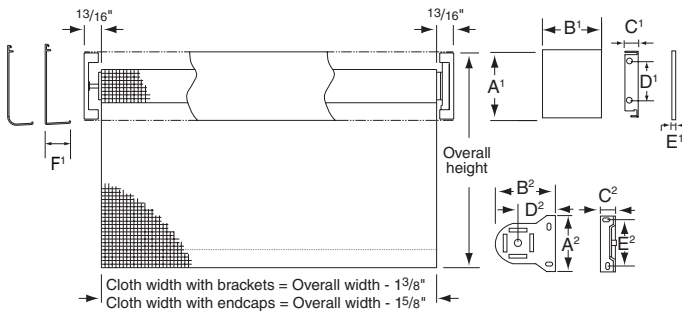
Headbox with end caps		End Caps with Fascia		Brackets*	
	SMALL	LARGE		SMALL	LARGE
A ¹	3 ¹⁵ / ₁₆ "	4 ¹¹ / ₁₆ "	A ¹	3 ⁷ / ₈ "	4 ⁵ / ₈ "
B ¹	3 ⁷ / ₁₆ "	4 ¹¹ / ₁₆ "	B ¹	3 ³ / ₈ "	4 ⁵ / ₈ "
C ¹	5/8"	5/8"	C ¹	5/8"	5/8"
D ¹	2"	3/4"	D ¹	2"	3/4"
E ¹	1/16"	3/32"	E ¹	1/16"	3/32"
F ¹	13/16"	1 1/16"	F ¹	13/16"	1 1/16"

* Small brackets are standardly supplied with 10 lb. and 20 lb. clutch. Large bracket optionally available at Draper's discretion. For 24 lb. clutch or crank operator, contact Draper for dimensions.

Dimensions above are ceiling mount only. Wall mount dimensions may differ. See Draper for details.

Refer to pricing charts beginning on page 28 to determine which size is required for your installation. Above dimensions based upon 20 lb. clutch and 1 1/2" diameter roller.

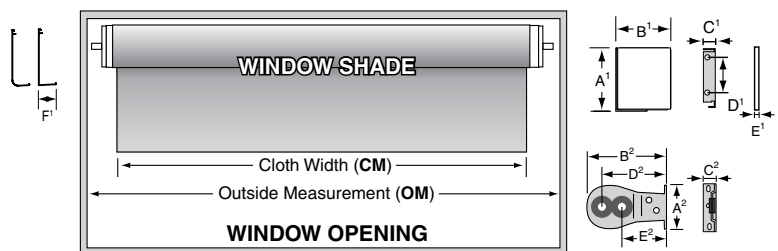
Techmatic Shade Dimensions



Headbox with End caps		End Caps with Fascia		Brackets*	
	SMALL	LARGE		SMALL	LARGE
A ¹	3 ¹⁵ / ₁₆ "	4 ¹¹ / ₁₆ "	A ¹	3 ⁷ / ₈ "	4 ⁵ / ₈ "
B ¹	3 ⁷ / ₁₆ "	4 ¹¹ / ₁₆ "	B ¹	3 ³ / ₈ "	4 ⁵ / ₈ "
C ¹	5/8"	5/8"	C ¹	5/8"	5/8"
D ¹	2"	2"	D ¹	2"	2"
E ¹	1/16"	1/16"	E ¹	1/16"	1/16"
F ¹	13/16"	13/16"	F ¹	13/16"	13/16"

Refer to pricing charts beginning on page 40 to determine which size is required for your installation.

Spring Roller Shade



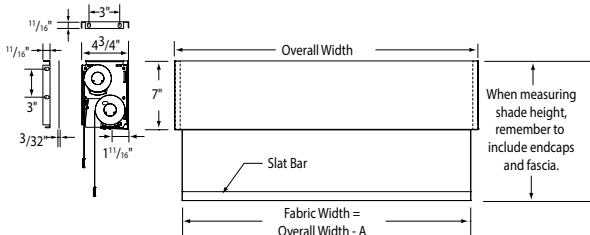
(IM) = Outside Measurement (OM) with 1/8" deduction.

Headbox with End Caps		End Caps with Fascia		Brackets*	
	SMALL	LARGE		SMALL	LARGE
A ¹	3 ¹⁵ / ₁₆ "	4 ¹¹ / ₁₆ "	A ¹	3 ⁷ / ₈ "	4 ⁵ / ₈ "
B ¹	3 ⁷ / ₁₆ "	4 ¹¹ / ₁₆ "	B ¹	3 ³ / ₈ "	4 ⁵ / ₈ "
C ¹	5/8"	5/8"	C ¹	5/8"	5/8"
D ¹	2"	3/4"	D ¹	2"	3/4"
E ¹	1/16"	3/32"	E ¹	1/16"	3/32"

(Fascia Overall Width includes plastic End Cap covers)
(Pair adds 1/8" to Overall Width)

*Please Note: When mounting brackets to the wall, use the hole closest to the wall. When mounting brackets to the ceiling, use the hole furthest away from the ceiling.

Dual Roller with Fascia



Operator	Dim A
110-220V Standard/485 Motor	1 3/4"
110-200V Quiet Motor	1 15/16"
Battery/24V Motor	1 11/16"
Bead Chain Clutch	1 5/8"

Refer to pricing charts beginning on page 40 to determine which size is required for your installation.

Motorized FlexShade® Medium-duty motor operated window shades.

STANDARDS

- Metal tube, with tubular gearmotor — **right side motor standard**; left side available (as seen from inside the room, facing the window).
- 1" Elliptical slat inside of 1 5/8" heat-seamed pocket with heat sealed ends. Additional hem options available. See page 15 for details.
- Draper standardly includes M12 connectors on most core motorized products. Available without M12 connectors at no additional cost. See page 22 for details.

OPTIONS

- Choice of brackets for inside, outside or ceiling mounting (square or radius fascia or headbox with end caps available in place of brackets in two sizes).
- Hardware finish for fascia or headbox: Clear anodized (standard), ivory, charcoal bronze, white, and black. Fabric wrapped fascia also available. For pricing, multiply the cost of selected fascia times two.
- Reverse roll (waterfall) available upon request.

- Spline Fabric Attachment—Optional for Motorized FlexShades® up to 144" wide. See upgrade costs in Motorized FlexShade® Headbox/Fascia pricing tables. Will affect what sizes require small/large fascia or headbox. Contact Draper for details.

Item	Price
End Caps instead of Brackets	small hardware \$10/pair large hardware \$20/pair

- Motors, Controls & Accessories beginning on page 22

Motorized FlexShade® Fabrics

Headbox/Fascia Prices for Motorized FlexShades® (all fabrics)

CLOTH WIDTH	31"	36"	42"	45"	48"	54"	60"	63"	72"	84"	98"	108"	120"	132"	144"	156"	168"
3 7/8" Sm. Radius Fascia	\$32	\$34	\$36	\$37	\$38	\$40	\$43	\$44	\$47	\$51	\$57	\$64	\$68	\$73	\$78	\$83	\$87
3 7/8" Sm. Square Fascia	32	34	36	37	38	40	43	44	47	51	57	64	68	73	78	83	87
4 5/8" Lg. Radius Fascia	39	41	43	45	48	51	54	55	60	66	72	84	90	96	102	107	113
4 5/8" Lg. Square Fascia	39	41	43	45	48	51	54	55	60	66	72	84	90	96	102	107	113
3 15/16" Sm. Headbox	75	78	86	87	92	98	102	107	116	128	142	152	164	176	188	200	212
4 11/16" Lg. Headbox	90	99	105	112	114	122	135	135	148	165	184	199	215	232	249	266	283
Dual Roller with Fascia¹	64	68	72	74	76	80	86	88	94	102	114	—	—	—	—	—	—

¹Some height restrictions apply to Dual Roller with Fascia. Contact Draper for details.

Please add \$23 per shade for optional spline attachment.

Sizes below black line require seams. — Sizes in green require large fascia/headbox. All others use small fascia/headbox.

SB9000/9100—Opaque (SB9100 sizes larger than 72" wide will have seams.)

CLOTH WIDTH	36"	45"	54"	63"	72"	84"	96"	108"	120"	132"	144"	156"	168"
36"	\$640	\$658	\$670	\$682	\$694	\$706	\$726	\$746	\$764	\$922	\$983	\$1,032	\$1,187
42"	643	663	675	689	700	707	727	757	777	937	997	1,034	1,201
48"	647	668	681	695	706	715	737	758	778	938	999	1,036	1,211
54"	650	672	685	700	712	721	744	765	788	948	1,005	1,055	1,212
60"	654	677	690	706	718	722	745	766	802	950	1,030	1,137	1,297
66"	657	681	696	712	724	764	792	819	846	1,039	1,040	1,138	1,299
72"	660	686	701	717	730	765	793	820	847	1,042	1,043	1,139	1,300
78"	664	690	705	723	736	766	795	822	848	1,043	1,044	1,140	1,301
84"	667	695	710	728	742	767	796	823	857	1,044	1,045	1,141	1,305
90"	670	699	715	733	748	768	797	824	871	1,046	1,047	1,249	1,366
96"	673	704	720	739	754	769	798	876	974	1,101	1,102	1,250	1,368
108"	679	712	729	749	765	809	843	895	975	1,129	1,130	1,310	1,369
120"	685	720	738	759	776	811	846	925	977	1,368	1,369	1,578	1,657
132"	691	729	747	770	787	812	847	952	978	1,405	1,532	1,762	1,853
144"	697	737	757	780	798	854	894	979	1,037	1,532	1,533	1,763	1,854
156"	703	745	766	790	809	856	907	1,009	1,050	1,533	1,534	1,764	1,855
168"	709	754	775	801	820	857	908	1,036	1,052	1,556	1,708	1,946	—

Roc-Rol—Opaque

CLOTH WIDTH	36"	42"	48"	55"	72"	84"	96"	108"	118"	132"	144"	156"	168"
36"	\$661	\$662	\$726	\$731	\$745	\$758	\$803	\$952	\$992	\$1,108	\$1,200	\$1,274	\$1,347
42"	669	670	741	746	760	773	804	953	993	1,109	1,201	1,275	1,348
48"	677	678	757	761	776	789	805	954	994	1,110	1,202	1,276	1,349
54"	685	686	772	777	791	804	806	955	995	1,111	1,244	1,293	1,350
60"	692	693	788	792	806	820	821	956	996	1,112	1,245	1,294	1,351
66"	700	701	803	808	822	835	836	957	997	1,113	1,269	1,317	1,374
72"	708	709	819	823	837	851	937	1,128	1,184	1,319	1,370	1,432	1,605
78"	718	719	837	841	855	869	994	1,129	1,185	1,320	1,371	1,443	1,607
84"	726	727	852	857	871	884	995	1,130	1,186	1,321	1,372	1,539	1,608
90"	733	734	867	872	886	899	996	1,131	1,251	1,322	1,373	1,540	1,609
96"	741	742	883	888	902	915	997	1,132	1,252	1,359	1,374	1,541	1,610
108"	757	758	914	919	933	947	998	1,133	1,253	1,360	1,375	1,542	1,611
120"	775	776	948	952	966	980	1,120	1,277	1,415	1,538	1,564	1,748	1,832
132"	791	792	979	983	997	1,011	1,121	1,278	1,416	1,539	1,565	1,749	—
144"	806	807	1,010	1,014	1,028	1,042	1,122	1,279	1,417	1,540	1,588	1,779	—
156"	823	824	1,042	1,047	1,061	1,074	1,123	1,301	1,439	1,563	1,788	1,988	—
168"	839	840	1,073	1,078	1,092	1,105	1,226	1,511	1,606	1,745	1,789	1,989	—

There is a \$30 charge to railroad (transverse) and/or seam shade fabric when not required by roll width limitations (for example to match other seamed Shades). Not all fabrics can be railroaded. For more information, contact Draper.

Motorized FlexShade® Fabrics

Headbox/Fascia Prices for Motorized FlexShades® (all fabrics)

CLOTH WIDTH	31"	36"	42"	45"	48"	54"	60"	63"	72"	84"	98"	108"	120"	132"	144"	156"	168"
3 7/8" Sm. Radius Fascia	\$32	\$34	\$36	\$37	\$38	\$40	\$43	\$44	\$47	\$51	\$57	\$64	\$68	\$73	\$78	\$83	\$87
3 7/8" Sm. Square Fascia	32	34	36	37	38	40	43	44	47	51	57	64	68	73	78	83	87
4 5/8" Lg. Radius Fascia	39	41	43	45	48	51	54	55	60	66	72	84	90	96	102	107	113
4 5/8" Lg. Square Fascia	39	41	43	45	48	51	54	55	60	66	72	84	90	96	102	107	113
3 15/16" Sm. Headbox	75	78	86	87	92	98	102	107	116	128	142	152	164	176	188	200	212
4 11/16" Lg. Headbox	90	99	105	112	114	122	135	135	148	165	184	199	215	232	249	266	283
Dual Roller with Fascia ¹	64	68	72	74	76	80	86	88	94	102	114	—	—	—	—	—	—

¹Some height restrictions apply to Dual Roller with Fascia. Contact Draper for details.

Please add \$23 per shade for optional spline attachment.

Sizes below black line require seams. — Sizes in green require large fascia/headbox. All others use small fascia/headbox.

Avila Twilight—Opaque.

CLOTH WIDTH	36"	42"	48"	55"	59"	72"	84"	96"	108"	118"	132"	144"
HEIGHT 36"	\$685	\$689	\$694	\$698	\$703	\$800	\$813	\$822	\$834	\$843	\$942	\$943
42"	696	701	705	710	714	823	836	845	857	866	943	944
48"	708	712	717	721	725	846	859	868	880	890	944	945
54"	720	724	729	733	738	870	883	892	904	924	1,264	1,269
60"	732	736	740	745	749	893	906	915	927	951	1,269	1,270
66"	743	747	752	756	760	916	929	938	950	977	1,270	1,271
72"	755	760	764	768	773	941	953	962	974	1,003	1,271	1,272
78"	769	773	778	782	787	966	979	988	1,000	1,031	1,272	1,273
84"	781	785	789	794	798	989	1,002	1,011	1,023	1,057	1,273	1,274
90"	793	797	802	806	811	1,013	1,026	1,035	1,047	1,084	1,274	1,275
96"	804	809	813	817	822	1,036	1,049	1,058	1,070	1,110	1,275	1,276
108"	828	832	837	841	846	1,084	1,096	1,105	1,146	1,192	1,276	1,277
120"	853	858	862	866	871	1,132	1,145	1,154	1,201	1,241	1,674	1,675
132"	877	881	886	890	895	1,179	1,192	1,201	1,254	1,288	1,675	1,676
144"	901	905	909	914	918	1,227	1,239	1,248	1,306	1,335	1,676	1,677
156"	925	929	934	938	942	1,274	1,287	1,296	1,361	1,395	1,677	1,678
168"	949	953	958	962	966	1,321	1,334	1,343	1,414	1,441	1,982	2,004

Flocké—Opaque. For 1% open Vizela fabric, multiply price below by .88.

CLOTH WIDTH	36"	42"	47"	54"	60"	72"	84"	94"	108"	120"	132"	144"	156"	168"
HEIGHT 36"	\$797	\$798	\$802	\$1,002	\$1,007	\$1,016	\$1,029	\$1,039	\$1,616	\$1,727	\$1,913	\$2,019	\$2,136	\$2,363
42"	823	824	828	1,053	1,057	1,067	1,080	1,090	1,617	1,728	1,914	2,020	2,137	2,364
48"	848	849	853	1,103	1,108	1,117	1,131	1,140	1,618	1,729	1,915	2,021	2,138	2,365
54"	873	874	878	1,154	1,159	1,168	1,181	1,191	1,619	1,730	1,916	2,022	2,139	2,366
60"	899	900	904	1,205	1,210	1,219	1,232	1,242	1,620	1,731	1,917	2,026	2,248	2,371
66"	924	925	929	1,255	1,260	1,269	1,287	1,297	1,621	1,798	1,919	2,681	2,955	3,129
72"	949	950	954	1,306	1,311	1,320	1,337	1,347	2,121	2,350	2,563	2,682	2,956	3,130
78"	977	978	982	1,359	1,364	1,373	1,391	1,401	2,124	2,352	2,566	2,683	2,957	3,132
84"	1,002	1,003	1,007	1,410	1,415	1,424	1,441	1,451	2,125	2,353	2,567	2,684	2,958	3,133
90"	1,028	1,029	1,033	1,461	1,465	1,475	1,492	1,502	2,126	2,354	2,568	2,685	2,959	3,134
96"	1,053	1,054	1,058	1,511	1,516	1,525	1,543	1,553	2,127	2,355	2,569	2,686	2,960	3,135
108"	1,104	1,105	1,109	1,613	1,618	1,627	1,645	1,655	2,602	2,881	3,145	3,313	3,638	3,862
120"	1,158	1,159	1,163	1,717	1,722	1,731	1,748	1,758	2,664	2,883	3,148	3,315	3,640	3,865
132"	1,208	1,209	1,213	1,819	1,823	1,833	1,850	1,860	2,665	2,884	3,149	3,316	3,641	—
144"	1,259	1,260	1,264	1,920	1,925	1,934	1,955	1,966	2,669	2,889	3,154	4,071	4,350	—
156"	1,311	1,312	1,316	2,023	2,028	2,037	2,058	2,069	3,170	3,441	3,757	4,073	4,352	—
168"	1,362	1,363	1,367	2,125	2,129	2,139	2,160	2,170	3,171	3,442	3,758	4,074	4,353	—

SW7000—Opaque.

CLOTH WIDTH	36"	42"	47"	54"	59"	72"	84"	94"	108"	118"	132"	144"	156"	168"
HEIGHT 36"	\$845	\$846	\$850	\$855	\$859	\$869	\$882	\$1,180	\$1,256	\$1,328	\$1,476	\$1,599	\$1,622	\$1,810
42"	877	878	882	886	891	900	914	1,181	1,257	1,329	1,477	1,600	1,623	1,811
48"	908	909	913	918	922	932	945	1,182	1,258	1,330	1,478	1,601	1,624	1,812
54"	940	941	945	949	954	963	977	1,183	1,259	1,331	1,479	1,602	1,625	1,813
60"	971	972	976	981	986	995	1008	1,184	1,260	1,332	1,480	1,603	1,626	1,814
66"	1003	1,004	1,008	1,012	1,017	1,026	1,040	1,185	1,261	1,333	1,481	1,604	1,627	1,815
72"	1,034	1,035	1,039	1,044	1,049	1,058	1,071	1,186	1,262	1,334	1,482	1,614	1,615	1,816
78"	1,068	1,069	1,073	1,078	1,083	1,092	1,105	1,187	1,263	1,335	1,483	1,615	1,616	1,817
84"	1,100	1,101	1,105	1,109	1,114	1,123	1,137	1,188	1,264	1,336	1,484	1,616	1,617	1,818
90"	1,131	1,132	1,136	1,141	1,146	1,155	1,168	1,452	1,560	1,665	1,871	1,971	2,083	2,305
96"	1,163	1,164	1,168	1,173	1,177	1,187	1,200	1,453	1,561	1,666	1,872	1,972	2,084	2,306
108"	1,227	1,228	1,232	1,236	1,241	1,250	1,264	1,454	1,562	1,667	1,873	1,973	2,085	2,307
120"	1,292	1,293	1,297	1,302	1,307	1,316	1,329	1,455	1,563	1,734	2,028	2,029	2,292	2,424
132"	1,355	1,356	1,360	1,365	1,370	1,379	1,393	1,721	1,860	2,063	2,421	2,469	2,613	2,761
144"	1,418	1,419	1,423	1,428	1,433	1,442	1,456	1,722	1,861	2,064	2,422	2,470	2,614	2,762
156"	1,483	1,484	1,488	1,493	1,498	1,507	1,520	1,723	1,873	2,076	2,426	2,471	2,775	2,942
168"	1,546	1,547	1,551	1,556	1,561	1,570	1,583	1,724	1,874	2,077	2,427	2,476	2,776	—

Motorized FlexShade® Fabrics

Headbox/Fascia Prices for Motorized FlexShades® (all fabrics)

CLOTH WIDTH	31"	36"	42"	45"	48"	54"	60"	63"	72"	84"	98"	108"	120"	132"	144"	156"	168"
3 7/8" Sm. Radius Fascia	\$32	\$34	\$36	\$37	\$38	\$40	\$43	\$44	\$47	\$51	\$57	\$64	\$68	\$73	\$78	\$83	\$87
3 7/8" Sm. Square Fascia	32	34	36	37	38	40	43	44	47	51	57	64	68	73	78	83	87
4 5/8" Lg. Radius Fascia	39	41	43	45	48	51	54	55	60	66	72	84	90	96	102	107	113
4 5/8" Lg. Square Fascia	39	41	43	45	48	51	54	55	60	66	72	84	90	96	102	107	113
3 15/16" Sm. Headbox	75	78	86	87	92	98	102	107	116	128	142	152	164	176	188	200	212
4 11/16" Lg. Headbox	90	99	105	112	114	122	135	135	148	165	184	199	215	232	249	266	283
Dual Roller with Fascia¹	64	68	72	74	76	80	86	88	94	102	114	—	—	—	—	—	—

¹Some height restrictions apply to Dual Roller with Fascia. Contact Draper for details.

Please add \$23 per shade for optional spline attachment.

Sizes below black line require seams. — Sizes in green require large fascia/headbox. All others use small fascia/headbox.

SW7100—Opaque. When railroaded, SW7100 will have battens. Contact Draper for details.

CLOTH WIDTH	36"	42"	48"	54"	60"	72"	84"	96"	108"	120"	132"	144"	156"	168"
36"	\$725	\$729	\$733	\$738	\$742	\$751	\$820	\$829	\$971	\$1,013	\$1,130	\$1,168	\$1,216	\$1,375
42"	741	746	750	754	759	768	845	853	972	1,014	1,131	1,169	1,217	1,376
48"	758	762	767	771	776	784	869	877	973	1,015	1,132	1,170	1,218	1,377
54"	775	779	783	788	792	801	893	901	974	1,016	1,133	1,171	1,221	1,378
60"	791	796	800	805	809	818	917	926	975	1,079	1,199	1,401	1,572	1,643
66"	809	813	817	822	826	835	941	950	1,151	1,277	1,387	1,402	1,573	1,644
72"	825	830	834	839	843	852	966	974	1,152	1,278	1,388	1,403	1,574	1,645
78"	845	849	853	858	862	871	992	1,001	1,154	1,279	1,390	1,404	1,575	1,646
84"	861	866	870	874	879	888	1,016	1,025	1,155	1,280	1,391	1,405	1,576	1,647
90"	878	882	887	891	896	904	1,040	1,049	1,248	1,399	1,500	1,501	1,724	1,812
96"	895	899	903	908	912	921	1,064	1,073	1,249	1,400	1,527	1,770	2,015	2,124
108"	928	932	937	941	946	954	1,112	1,121	1,522	1,625	1,770	1,771	2,016	—
120"	964	968	973	977	981	990	1,163	1,172	1,524	1,627	1,772	1,773	2,017	—
132"	997	1,002	1,006	1,010	1,015	1,024	1,211	1,220	1,525	1,628	1,776	2,042	2,308	—
144"	1,031	1,035	1,039	1,044	1,048	1,057	1,259	1,268	1,728	1,853	2,307	2,308	2,309	—
156"	1,066	1,070	1,074	1,079	1,083	1,092	1,309	1,318	1,730	1,855	2,308	2,309	2,310	—
168"	1,099	1,103	1,108	1,112	1,117	1,125	1,357	1,366	1,731	1,856	2,599	2,600	2,601	—

SW7500—Opaque.

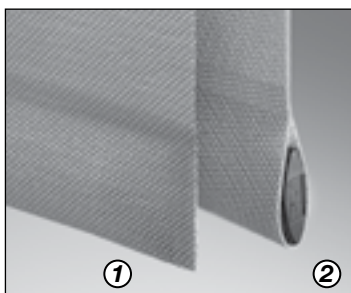
CLOTH WIDTH	39"	49"	59"	78"	84"	98"	108"	118"	132"	144"	156"	168"
36"	\$569	\$574	\$598	\$632	\$660	\$670	\$702	\$711	\$845	\$851	\$881	\$1,023
42"	577	581	607	644	674	685	719	729	880	888	922	1,054
48"	584	589	615	655	689	700	737	746	881	959	979	1,066
54"	592	596	624	667	704	714	755	846	945	960	1,103	1,149
60"	599	603	633	679	718	729	773	863	985	1,103	1,104	1,150
66"	606	611	642	690	733	744	790	881	986	1,104	1,105	1,151
72"	614	618	651	702	748	758	808	899	1,053	1,182	1,183	1,235
78"	623	627	661	715	764	775	827	918	1,055	1,184	1,185	1,237
84"	630	634	670	727	779	790	845	936	1,056	1,185	1,186	1,238
90"	637	642	679	739	794	804	863	953	1,123	1,265	1,266	1,324
96"	645	649	688	751	808	819	881	971	1,124	1,266	1,267	1,325
108"	659	664	706	774	838	848	989	1,007	1,125	1,267	1,268	1,326
120"	677	681	726	800	870	880	1,027	1,045	1,403	1,405	1,577	1,652
132"	691	696	744	823	899	910	1,063	1,080	1,404	1,620	1,817	1,908
144"	706	711	761	847	929	939	1,098	1,116	1,602	1,622	1,818	1,909
156"	723	727	781	872	960	971	1,136	1,153	1,605	1,623	1,819	1,910
168"	740	742	799	898	990	1,000	1,171	1,189	1,606	1,628	1,820	—

Hem Options for Motorized FlexShade®

Standard Hem Bar Options — Please

specify preference at time of order.

- 1" Elliptical slot inside of 1 5/8" heat-seamed pocket with heat sealed ends.
- 1" Elliptical slot inside of 1 5/8" heat-seamed pocket with open pocket ends. Plastic end caps on hem bar.



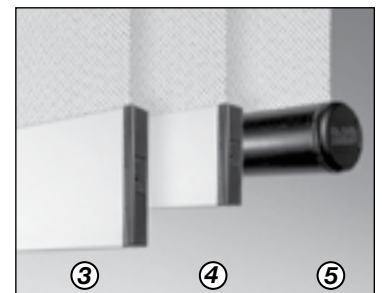
Exposed Hem Bar Options —

Please specify preference and color at time of order.

- Choose Type:**
3. 1 1/2" x 5/16" Rectangular Hem Bar with Plastic end caps. — **\$1.50/lineal ft.**
 4. 7/8" x 5/16" Rectangular Hem Bar with Plastic end caps — **\$1.00/lineal ft.**
 5. 3/4" Round Hembar with Plastic end caps — **\$1.00/lineal ft.** 1 1/2" x 5/16"

Choose Color:

Black, Bronze, Ivory, White, Clear Anodized



Motorized FlexShade® Fabrics

Headbox/Fascia Prices for Motorized FlexShades® (all fabrics)

CLOTH WIDTH	31"	36"	42"	45"	48"	54"	60"	63"	72"	84"	98"	108"	120"	132"	144"	156"	168"
3 7/8" Sm. Radius Fascia	\$32	\$34	\$36	\$37	\$38	\$40	\$43	\$44	\$47	\$51	\$57	\$64	\$68	\$73	\$78	\$83	\$87
3 7/8" Sm. Square Fascia	32	34	36	37	38	40	43	44	47	51	57	64	68	73	78	83	87
4 5/8" Lg. Radius Fascia	39	41	43	45	48	51	54	55	60	66	72	84	90	96	102	107	113
4 5/8" Lg. Square Fascia	39	41	43	45	48	51	54	55	60	66	72	84	90	96	102	107	113
3 15/16" Sm. Headbox	75	78	86	87	92	98	102	107	116	128	142	152	164	176	188	200	212
4 11/16" Lg. Headbox	90	99	105	112	114	122	135	135	148	165	184	199	215	232	249	266	283
Dual Roller with Fascia¹	64	68	72	74	76	80	86	88	94	102	114	—	—	—	—	—	—

¹Some height restrictions apply to Dual Roller with Fascia. Contact Draper for details.

Please add \$23 per shade for optional spline attachment.

Sizes below black line require seams. — Sizes in green require large fascia/headbox. All others use small fascia/headbox.

GreenScreen® Evolve—Prices below are for 1% openness.

Use multiplier below to calculate price for other openness factors.

CLOTH WIDTH	36"	42"	48"	54"	59"	72"	84"	94"	108"	118"	132"	144"	156"	168"
HEIGHT 36"	\$706	\$711	\$716	\$721	\$725	\$821	\$834	\$843	\$856	\$1,166	\$1,302	\$1,410	\$1,414	\$1,474
42"	718	723	727	732	736	843	857	866	879	1,167	1,303	1,411	1,415	1,475
48"	729	734	738	744	748	866	880	889	902	1,168	1,304	1,412	1,416	1,476
54"	742	746	750	755	759	889	903	912	925	1,169	1,305	1,413	1,418	1,590
60"	753	757	761	766	771	912	926	935	947	1,170	1,306	1,414	1,419	1,591
66"	764	769	773	778	782	936	948	958	970	1,171	1,307	1,415	1,420	1,592
72"	776	780	784	789	794	959	971	981	993	1,172	1,308	1,416	1,421	1,593
78"	789	794	799	803	808	984	997	1,007	1,019	1,173	1,309	1,418	1,422	1,594
84"	801	805	810	814	820	1,007	1,020	1,030	1,042	1,174	1,310	1,593	1,594	1,595
90"	812	816	822	826	831	1,030	1,043	1,052	1,065	1,175	1,311	1,594	1,595	1,596
96"	824	828	833	837	842	1,052	1,066	1,075	1,088	1,176	1,312	1,595	1,596	1,597
108"	847	852	856	860	865	1,098	1,112	1,121	1,134	1,238	1,314	1,666	1,752	1,952
120"	873	877	881	886	890	1,147	1,161	1,169	1,181	1,479	1,596	1,669	1,780	1,954
132"	895	900	904	909	913	1,193	1,206	1,215	1,228	1,480	1,597	1,670	1,783	1,955
144"	918	922	927	932	936	1,239	1,252	1,260	1,274	1,481	1,598	1,671	1,784	1,956
156"	942	947	952	957	961	1,286	1,299	1,308	1,333	1,492	1,600	1,672	1,785	1,957
168"	965	970	974	980	984	1,332	1,345	1,354	1,379	1,732	1,901	1,955	2,081	2,281

GreenScreen® Evolve: Fabric Multipliers

Fabric	Open-ness Factor	Multiply Above Prices by...
GreenScreen® Evolve	3%	0.99
GreenScreen® Evolve	5%	0.98
GreenScreen® Evolve	10%	0.96

GreenScreen® Revive—Prices below are for 1% openness. For 5% open fabric, multiply price below by .98.

CLOTH WIDTH	36"	42"	48"	54"	59"	72"	84"	94"	108"	118"	132"	144"	156"	168"
HEIGHT 36"	\$679	\$684	\$688	\$693	\$697	\$789	\$802	\$811	\$823	\$1,121	\$1,252	\$1,356	\$1,360	\$1,417
42"	690	695	699	704	708	811	824	833	845	1,122	1,253	1,357	1,361	1,418
48"	701	706	710	715	719	833	846	855	867	1,123	1,254	1,358	1,362	1,419
54"	713	717	721	726	730	855	868	877	889	1,124	1,255	1,359	1,363	1,529
60"	724	728	732	737	741	877	890	899	911	1,125	1,256	1,360	1,364	1,530
66"	735	739	743	748	752	900	912	921	933	1,126	1,257	1,361	1,365	1,531
72"	746	750	754	759	763	922	934	943	955	1,127	1,258	1,362	1,366	1,532
78"	759	763	768	772	777	946	959	968	980	1,128	1,259	1,363	1,367	1,533
84"	770	774	779	783	788	968	981	990	1,002	1,129	1,260	1,532	1,533	1,534
90"	781	785	790	794	799	990	1,003	1,012	1,024	1,130	1,261	1,533	1,534	1,535
96"	792	796	801	805	810	1,012	1,025	1,034	1,046	1,131	1,262	1,534	1,535	1,536
108"	814	819	823	827	832	1,056	1,069	1,078	1,090	1,190	1,263	1,602	1,685	1,877
120"	839	843	847	852	856	1,103	1,116	1,124	1,136	1,422	1,535	1,605	1,687	1,879
132"	861	865	869	874	878	1,147	1,160	1,168	1,181	1,423	1,536	1,606	1,688	1,880
144"	883	887	891	896	900	1,191	1,204	1,212	1,225	1,424	1,537	1,607	1,689	1,881
156"	906	911	915	920	924	1,237	1,249	1,258	1,282	1,435	1,538	1,608	1,690	1,882
168"	928	933	937	942	946	1,281	1,293	1,302	1,326	1,665	1,828	1,880	2,001	2,193

Motorized FlexShade® Fabrics

Headbox/Fascia Prices for Motorized FlexShades® (all fabrics)

CLOTH WIDTH	31"	36"	42"	45"	48"	54"	60"	63"	72"	84"	98"	108"	120"	132"	144"	156"	168"
3 7/8" Sm. Radius Fascia	\$32	\$34	\$36	\$37	\$38	\$40	\$43	\$44	\$47	\$51	\$57	\$64	\$68	\$73	\$78	\$83	\$87
3 7/8" Sm. Square Fascia	32	34	36	37	38	40	43	44	47	51	57	64	68	73	78	83	87
4 5/8" Lg. Radius Fascia	39	41	43	45	48	51	54	55	60	66	72	84	90	96	102	107	113
4 5/8" Lg. Square Fascia	39	41	43	45	48	51	54	55	60	66	72	84	90	96	102	107	113
3 15/16" Sm. Headbox	75	78	86	87	92	98	102	107	116	128	142	152	164	176	188	200	212
4 11/16" Lg. Headbox	90	99	105	112	114	122	135	135	148	165	184	199	215	232	249	266	283
Dual Roller with Fascia¹	64	68	72	74	76	80	86	88	94	102	114	—	—	—	—	—	—

¹Some height restrictions apply to Dual Roller with Fascia. Contact Draper for details.

Please add \$23 per shade for optional spline attachment.

Sizes below black line require seams. — Sizes in green require large fascia/headbox. All others use small fascia/headbox.

SW5000—Mesh. Railroading not recommended.

CLOTH WIDTH	36"	42"	48"	54"	60"	74"	84"	98"
36"	\$721	\$725	\$730	\$734	\$738	\$747	\$800	\$809
42"	737	742	746	750	755	764	822	831
48"	754	758	763	767	771	780	844	853
54"	770	775	779	783	788	797	866	875
60"	787	791	796	800	804	813	888	897
66"	803	808	812	816	821	830	910	918
72"	820	824	829	833	837	846	931	940
78"	839	843	847	852	856	865	956	964
84"	855	860	864	868	873	882	977	986
90"	872	876	880	885	889	898	999	1,008
96"	888	893	897	901	906	915	1,021	1,030
108"	921	925	930	934	939	948	1,065	1,074
120"	956	961	965	970	974	983	1,111	1,120
132"	989	994	998	1,003	1,007	1,016	1,154	1,163
144"	1,023	1,028	1,032	1,036	1,041	1,050	1,199	1,208
156"	1,058	1,062	1,067	1,071	1,075	1,084	1,244	1,253
168"	1,091	1,095	1,100	1,104	1,108	1,117	1,288	1,297

Group 1: Mesh Fabrics—Use multiplier below to calculate price for specific fabric.

CLOTH WIDTH	31"	42"	48"	54"	63"	72"	84"	98"	108"	120"	132"	144"	156"	168"
36"	\$638	\$656	\$671	\$693	\$698	\$731	\$747	\$777	\$868	\$889	\$998	\$1,024	\$1,061	\$1,208
42"	643	664	679	704	708	745	762	794	880	901	999	1,025	1,062	1,209
48"	649	671	688	715	719	759	776	811	891	913	1,000	1,114	1,263	1,313
54"	654	678	696	726	730	773	791	828	939	1,044	1,081	1,115	1,264	1,314
60"	660	685	705	737	741	788	805	845	951	1,055	1,122	1,245	1,265	1,315
66"	666	693	714	748	753	802	821	863	963	1,067	1,123	1,246	1,266	1,316
72"	671	701	723	759	764	816	835	880	998	1,105	1,177	1,306	1,328	1,383
78"	679	710	734	773	777	833	852	899	1,014	1,118	1,180	1,310	1,330	1,385
84"	685	718	742	783	788	847	867	916	1,026	1,134	1,181	1,413	1,585	1,657
90"	690	725	751	794	799	861	881	933	1,128	1,244	1,399	1,414	1,586	—
96"	696	732	760	805	810	875	896	950	1,139	1,256	1,400	1,415	1,587	—
108"	707	747	777	827	832	903	925	984	1,233	1,278	1,401	1,416	1,588	—
120"	720	764	796	851	856	934	956	1,020	1,257	1,301	1,479	1,621	1,809	—
132"	731	778	813	873	878	962	985	1,054	1,279	1,324	1,480	1,622	1,810	—
144"	742	793	831	895	899	990	1,015	1,088	1,364	1,402	1,595	1,878	2,066	—
156"	754	809	849	918	923	1,020	1,045	1,135	1,385	1,431	1,597	1,879	2,067	—
168"	765	824	866	940	945	1,048	1,074	1,169	1,436	1,454	1,849	1,880	2,068	—

Large Hardware information above based on PW4400—may vary for some fabrics

Group 1: Fabric Multipliers

Fabric	Open-ness Factor	Multiply Above Prices by...	Fabric	Open-ness Factor	Multiply Above Prices by...
SW Infinity 2	1%	1.26	SW Infinity 2	5%	1.16
PW4800	1%	1.07	PW4500	5%	1.02
SW Infinity 2	3%	1.20	PW4550	5%	1.02
PW4600	3%	1.05	PW3500	5%	1.00
PW4650	3%	1.05	PW4100*	10%	0.99
PW4400	3%	1.03			

*Not available in 120" roll widths. Seaming information above is based on 120" roll goods.

Motorized FlexShade® Fabrics

Group 2: Mesh Fabrics—Use multiplier below to calculate price for specific fabric.

CLOTH WIDTH	31"	42"	48"	54"	63"	72"	84"	98"	108"	120"	132"	144"	156"	168"
HEIGHT														
36"	\$641	\$671	\$676	\$699	\$704	\$775	\$776	\$784	\$877	\$898	\$1,018	\$1,037	\$1,084	\$1,232
42"	647	680	685	711	716	795	799	803	889	910	1,019	1,046	1,085	1,233
48"	653	689	694	723	727	814	818	821	901	923	1,020	1,136	1,287	1,337
54"	659	698	703	735	739	834	837	839	950	1,055	1,112	1,148	1,299	1,350
60"	665	707	713	746	751	854	856	857	963	1,068	1,151	1,225	1,300	1,351
66"	671	717	722	759	763	875	876	875	976	1,081	1,152	1,226	1,301	1,352
72"	677	726	732	771	775	895	908	976	1,011	1,119	1,206	1,227	1,364	1,420
78"	685	738	743	785	789	917	926	977	1,029	1,133	1,208	1,228	1,367	1,423
84"	691	747	753	796	801	937	942	978	1,041	1,149	1,219	1,475	1,652	1,729
90"	697	756	762	808	813	957	999	1,041	1,144	1,261	1,455	1,476	1,653	1,730
96"	703	765	771	820	824	976	1,014	1,052	1,156	1,273	1,456	1,477	1,654	1,731
108"	715	784	789	843	848	1016	1,078	1,140	1,253	1,297	1,457	1,478	1,655	—
120"	729	805	810	869	874	1,058	1,110	1,163	1,278	1,323	1,530	1,531	1,726	—
132"	741	823	829	893	897	1,098	1,141	1,184	1,302	1,347	1,531	1,777	2,020	—
144"	752	841	847	916	921	1,138	1,210	1,283	1,410	1,428	1,773	1,779	2,021	—
156"	766	861	867	941	946	1,179	1,245	1,310	1,440	1,458	1,774	1,780	2,022	—
168"	777	879	886	965	969	1,219	1,276	1,332	1,464	1,482	1,775	1,781	2,023	—

Large Hardware information above based on Suntex Design 10%—may vary for some fabrics

Group 2: Fabric Multipliers

Fabric	Open-ness Factor	Multiply Above Prices by...	Fabric	Open-ness Factor	Multiply Above Prices by...
SW2500PP*	1%	1.42	SW2705	5%	0.98
SW2500	1%	1.05	SW Basic	5%	0.94
SW2701	1%	1.03	Soltis 86*	8%	1.06
SW2400PP*	3%	1.37	Soltis 88*	8%	1.08
Soltis 92*	3%	1.12	SW2100*	10%	0.98
Soltis 99*	3%	1.00	SW2600*	10%	0.98
SW2400	3%	1.02	SW2710	10%	0.95
SW2703	3%	1.00	Suntex Design*	10%	0.95
SW Basic	3%	0.97	Suntex 90*	10%	0.91
SW2900 PP*	5%	1.33	SW3000*	14%	0.95
SW2000	5%	1.00	SW1000*	23%	0.89
SW2900	5%	1.00			

*Not available in 120" roll widths. Seaming information above is based on 120" roll goods.

Group 3: Mesh Fabrics—Use multiplier below to calculate price for specific fabric.

CLOTH WIDTH	38"	48"	60"	78"	84"	98"	108"	120"	132"	144"	156"	168"
HEIGHT												
36"	\$640	\$661	\$684	\$712	\$752	\$761	\$803	\$812	\$1,023	\$1,068	\$1,109	\$1,250
42"	646	669	694	724	768	776	822	831	1,024	1,069	1,110	1,251
48"	652	677	703	736	783	792	841	850	1,025	1,070	1,214	1,354
54"	658	685	713	748	799	807	861	936	1,070	1,071	1,215	1,355
60"	665	693	723	760	815	823	880	955	1,071	1,072	1,216	1,356
66"	672	701	733	772	831	839	900	975	1,146	1,147	1,299	1,446
72"	678	709	743	784	847	855	919	994	1,147	1,148	1,300	1,447
78"	687	719	755	799	865	873	941	1,016	1,149	1,150	1,301	1,448
84"	693	727	764	811	880	888	960	1,035	1,273	1,274	1,435	1,465
90"	699	735	774	823	896	904	980	1,055	1,310	1,435	1,436	1,466
96"	706	743	784	835	912	919	999	1,074	1,311	1,436	1,437	1,467
108"	718	759	803	859	943	951	1,097	1,113	1,312	1,437	1,438	1,468
120"	733	777	825	885	976	984	1,138	1,154	1,401	1,527	1,708	—
132"	746	793	844	909	1,008	1,015	1,177	1,193	1,402	1,588	1,818	—
144"	758	808	863	933	1,039	1,046	1,216	1,231	1,606	1,720	1,819	—
156"	772	826	884	959	1,072	1,079	1,267	1,283	1,704	1,722	1,846	—
168"	785	841	903	983	1,103	1,110	1,306	1,322	1,709	1,970	1,977	—

Large Hardware information above based on Satine 5%—may vary for some fabrics

Group 3: Fabric Multipliers

Fabric	Openness Factor	Multiply Above Prices by...	Fabric	Openness Factor	Multiply Above Prices by...	Fabric	Openness Factor	Multiply Above Prices by...
E Screen	1%	1.06	E Screen	3%	1.02	M Screen	5%	1.03
Alkenz 3000/4000	1%	0.96	Alkenz 3000/4000	3%	0.96	E Screen	5%	1.00
E Screen/KoolBlack	3%	1.25	SilverScreen*	4%	1.47	Alkenz 3000/4000	5%	0.95
T Screen/KoolBlack	3%	1.15	E Screen/KoolBlack	5%	1.20	E Screen	10%	0.99
M Screen	3%	1.05	Satine*	5%	1.20	Vienne*	10%	0.99
T Screen*	3%	1.06	T Screen/KoolBlack	5%	1.11	Alkenz 3000/4000	10%	0.94
						Natte*	12%	1.15

*Not available in 120" roll widths. Seaming information above is based on 120" roll goods.

FlexShade® 2 Heavy-duty motor operated window shades.

STANDARDS

- An intermediate motorized shade with a steel-tubed, gearmotor (as seen from inside the room, facing the window; right side motor location is standard; left side available).
- Heat-seamed hem and aluminum dowel, $1\frac{3}{16}$ "; choice of brackets for wall, ceiling or jamb mounting

OPTIONS

- Hardware finish choices are: Clear anodized (standard), ivory, charcoal bronze, white, and black.
- Pocket Headbox is available in white only and with or without tile lip. Contact Draper for Pocket Headbox dimensions and details.
- Optional radius or square fascia and headbox with end caps is available.
- FlexShade® 2 is available in sizes 3' to 16' wide and up to 30' high depending on your choice of fabric. All FlexShade® 2 units taller than the widest fabric width will have spring steel stays at each seam location.
- Motors, Controls & Accessories beginning on page 18.

SHIPPING NOTE: FlexShade® 2 Shades less than 7' wide are carton packed for shipment. Sizes from 7'-12' are shipped with corner guards. Sizes 12' and greater are crated for shipment. Large sizes may require special handling consideration.

Headbox/Fascia for FlexShade® 2 (all fabrics)

CLOTH WIDTH	4'	6'	8'	10'	12'	14'	16'
Fascia* $6\frac{5}{8}$ "	\$162	\$200	\$236	\$272	\$310	\$346	\$384
Headbox* $6\frac{5}{8}$ "	264	350	436	520	606	692	780

*Fascia and Headbox are available in two versions—Square (standard) and Radius.

Sizes below and right of black line require seams.

SB9000/9100—(SB9100 sizes larger than 72" wide will have seams.)

CLOTH WIDTH	4'	6'	8'	10'	12'	14'	16'
HEIGHT 4'	\$1,381	\$1,451	\$1,538	\$1,617	\$1,691	\$2,193	\$2,280
6'	1,401	1,474	1,625	1,725	1,850	2,377	2,490
8'	1,421	1,497	1,629	1,728	1,854	2,381	2,494
10'	1,440	1,521	1,633	1,732	1,858	2,385	2,498
12'	1,460	1,544	1,720	1,840	2,017	2,569	2,708
14'	1,480	1,568	1,724	1,843	2,021	2,573	2,712
16'	1,520	1,616	1,769	1,960	2,024	2,577	2,716
18'	1,540	1,639	1,877	2,134	2,183	2,761	2,926
20'	1,560	1,663	1,881	2,203	2,187	2,765	2,929
22'	1,579	1,686	1,927	2,272	2,191	3,440	2,933
24'	1,609	1,725	2,050	2,430	3,262	4,045	3,203

PLEASE NOTE: Add 10% for SW7000. Add 12% for Flocké

Mesh Fabric

CLOTH WIDTH	4'	6'	8'	10'	12'	14'	16'
HEIGHT 4'	\$1,466	\$1,525	\$1,631	\$1,830	\$1,945	\$2,487	\$2,616
6'	1,515	1,575	1,696	2,150	2,348	2,955	3,148
8'	1,564	1,624	1,760	2,154	2,352	2,959	3,152
10'	1,613	1,673	1,824	2,158	2,356	2,963	3,156
12'	1,662	1,722	1,889	2,478	2,759	3,431	3,711
14'	1,711	1,771	1,953	2,482	2,763	3,434	3,712
16'	1,774	1,835	2,047	2,522	2,766	3,438	3,728
18'	1,823	1,884	2,125	2,860	3,169	3,906	4,415

PLEASE NOTE: Refer to fabric multipliers on page 17 and page 18 to figure prices for Draper mesh fabrics. Some heights are not listed in this price list. Please contact Draper for pricing.

FlexShade® 2 Dimensions—Motorized*

	Headbox with End caps	End Caps with Fascia	Brackets Only
A	$6\frac{5}{8}$ "	$6\frac{1}{2}$ "	$5\frac{7}{16}$ "
B	$6\frac{5}{8}$ "	$6\frac{1}{2}$ "	$5\frac{7}{16}$ "
C	N/A	N/A	$3\frac{1}{4}$ "
D	N/A	N/A	$3\frac{1}{4}$ "
E	1"	1"	$1\frac{5}{16}$ "

PLEASE NOTE: Maximum bundle diameter is $5\frac{1}{4}$ "(with Headbox, Fascia or Brackets)

*Please contact Draper for Pocket Headbox dimensions and details.

Motorized FlexShade® 2—Hardware/Parts

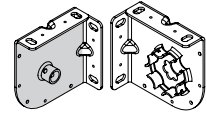
Motor Retainer Ring with Screw



Cotter Pin



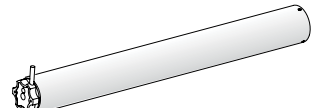
Mounting Brackets



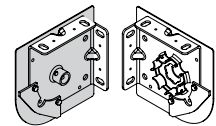
Motor Cable Strap



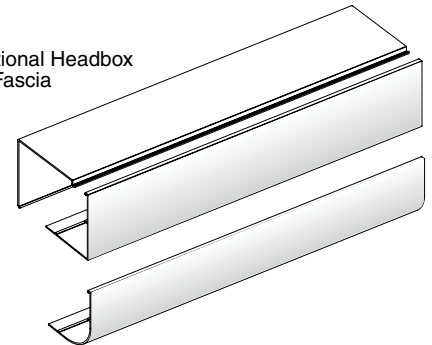
Motor/Roller/Fabric



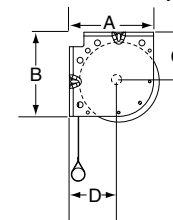
Endcaps



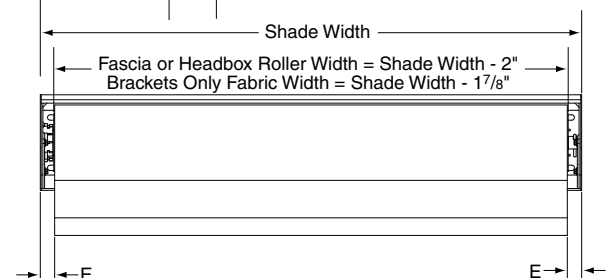
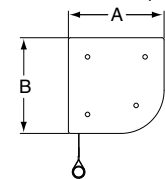
Optional Headbox or Fascia



Brackets Only



Headbox/Fascia with Endcaps



STANDARDS

- The Colossal FlexShade® is one of the largest motorized window Shades on the market today. It offers superior solar control for large window openings.
- Eyebolts for hoisting the shade are provided at each end of the headbox.
- The headbox is finished in white. Shade is preinstalled in headbox.
- This shade features a Deflection Compensation System, designed to minimize fullness caused by case deflection in extremely long units.
- Available in sizes up to 28'9" wide and 36' tall, depending on shade fabric.
- All Colossal FlexShade® units taller than the widest fabric width will have spring steel stays at each seam location.

OPTIONS

- Reverse roll (waterfall) available upon request.
- Wall Mount Bracket Kit, End Cap Ceiling Tile Flange Kit and Ceiling Tile Flange for front of headbox available (prices listed below).
- Motors, Controls & Accessories beginning on page 22.

PLEASE NOTE: All Colossal FlexShades® are crated for shipment. Large sizes may require special handling consideration. Call Draper for details.

Sizes below and right of black line require seams.

SB9000/9100—Opaque (SB9100 sizes larger than 72" wide will have seams.)

CLOTH WIDTH	6'	8'	10'	12'	14'	16'	18'	20'	22'	24'	26'	28'
HEIGHT 6'	\$5,656	\$5,948	\$6,369	\$6,731	\$7,098	\$7,603	\$8,784	\$9,162	\$10,159	\$10,540	\$10,836	\$11,217
8'	5,684	6,099	6,456	6,846	7,231	7,754	8,953	9,349	10,364	10,762	11,076	11,475
10'	5,712	6,108	6,476	6,856	7,241	7,764	9,255	9,683	10,732	11,163	11,510	11,942
12'	5,740	6,118	6,486	6,866	7,251	7,774	9,266	9,695	10,743	11,175	11,522	11,954
14'	5,768	6,198	6,584	6,981	7,384	7,925	9,435	9,882	10,948	11,397	11,762	12,211
16'	5,797	6,208	6,594	6,991	7,395	7,936	9,737	10,217	11,315	11,798	12,196	12,678
18'	5,876	6,340	6,744	7,160	7,582	8,141	9,906	10,403	11,520	12,020	12,436	12,936
20'	5,905	6,350	6,754	7,171	7,593	8,152	10,208	10,738	11,888	12,421	12,870	13,403
22'	5,934	6,360	6,765	7,181	7,603	8,163	10,219	10,750	11,899	12,433	12,882	13,415
24'	5,962	6,441	6,863	7,297	7,737	8,314	10,388	10,936	12,104	12,655	13,121	13,672
26'	5,991	6,451	6,873	7,608	7,748	8,325	10,690	11,271	12,472	13,056	13,555	14,140
28'	6,020	6,461	6,884	7,318	7,758	8,336	10,701	11,283	12,483	13,068	13,567	14,152
30'	6,048	6,541	6,982	7,434	7,892	8,487	11,160	11,793	13,044	13,679	14,229	14,864
32'	6,077	6,551	6,992	7,445	7,903	8,498	11,172	11,804	13,055	13,691	14,241	14,876
34'	6,106	6,632	7,090	7,561	8,036	8,650	11,341	11,991	13,260	13,913	14,481	15,134
36'	6,134	6,642	7,101	7,571	8,047	8,661	11,642	12,326	13,628	14,314	14,915	15,601

PLEASE NOTE: Add 10% for SW7000. Add 12% for Flocké

Mesh Fabrics

CLOTH WIDTH	6'	8'	10'	12'	14'	16'	18'	20'	22'	24'	26'	28'
HEIGHT 6'	\$5,770	\$6,111	\$6,775	\$7,218	\$7,666	\$8,252	\$9,360	\$9,802	\$10,862	\$11,306	\$11,666	\$12,110
8'	5,823	6,588	7,077	7,577	8,083	8,727	9,894	10,394	11,512	12,014	12,432	12,934
10'	5,875	6,598	7,087	7,587	8,094	8,738	10,043	10,558	11,692	12,210	12,643	13,161
12'	5,928	6,607	7,096	7,597	8,104	8,748	10,054	10,569	11,703	12,222	12,655	13,173
14'	5,981	6,850	7,398	7,957	8,521	9,223	10,588	11,161	12,353	12,930	13,421	13,997
16'	6,034	6,860	7,407	7,967	8,531	9,234	10,906	11,503	13,533	13,631	13,953	14,575
18'	6,138	7,155	7,761	8,379	9,003	9,764	11,776	12,459	13,661	14,370	15,183	15,892
20'	6,191	7,165	7,772	8,390	9,013	9,774	12,275	13,015	14,273	15,038	15,908	16,673
22'	6,244	7,175	7,782	8,400	9,024	9,785	12,276	13,016	14,274	15,039	15,909	16,674
24'	6,297	7,419	8,084	8,891	9,542	10,261	13,060	—	—	—	—	—
26'	6,350	7,429	8,094	8,892	9,543	10,272	13,556	—	—	—	—	—
28'	6,404	7,439	8,104	8,893	9,544	10,283	13,559	—	—	—	—	—

PLEASE NOTE: Refer to fabric multipliers beginning on page 17 to figure prices for Draper mesh fabrics. Some heights are not listed in this pricelist. Please contact Draper for pricing. Larger sizes available in some fabrics. Contact Draper.

Headbox Dimensions*

Number of Headbox Support Brackets

- Up to 96" — 0
- 96" - 180" — 1
- 180" - 240" — 2
- 240" or wider — 3

1 3/4" x 1 3/4" Optional Wall Mounting Bracket
Add 3 1/2" to headbox length if using wall mounting brackets.

Optional Ceiling Tile Flange

Options	Part No.	Price
Wall Mounting Bracket Kit add	121204	\$150
End Cap Mounted Ceiling Tile Flange Kit (1) add	121205	84
12' section Headbox Mount Ceiling Tile Kit (1) add	121206	84

Dual Roller FlexShades® 3 Solutions for Dual Roller applications

Draper offers 3 solutions for a Dual Roller FlexShade® system: Dual Roller FlexShades® with Fascia, Dual Roller FlexShades® with Brackets, or the Dual Roller FlexShades® with Pocket Headbox. For each of these products, find the price for the two shades you want to combine, then add for hardware as noted below.

Dual Roller FlexShades® with Fascia

Enjoy the benefits of two shade fabrics (or a shade and projection screen) in one window shade without the need for a recessed headbox. Conceal the end caps and rollers with a stylish extruded aluminum fascia. Available for: **Motorized FlexShades®, Clutch FlexShades®, Clutch FlexShade® XD, Battery Operated FlexShades®, and 24V FlexShades®.**

Horizontal Dual Roller brackets are available for **Clutch FlexShade® XD** only, requiring a shorter bracket and fascia. See page 30 and Headbox/Fascia price charts for Clutch FlexShade® XD.

For pricing, see the Headbox/Fascia price charts for products listed below.

Options

- Extruded aluminum fascia is available in five colors: black, white, ivory, bronze, or clear anodized, plus custom powder coat.
- Matching end caps standard for mounting outside window opening.
- For drawing and dimensions, please see page 12.

Dual Roller FlexShades® with Brackets

Add \$70/pair for each dual shade.

Dual Roller FlexShade® with Pocket Headbox

Draper's Dual Roller FlexShade® with Pocket allows for both glare control and room darkening in the same opening. It includes:

- Two complete Shades vertically stacked in a single recessed headbox.
- Available for **Motorized FlexShades®, Clutch FlexShades®, Battery Operated FlexShades®, 24V FlexShades®, and LightBloc w/Side Channels.**
- The Dual Roller Pocket headbox is **white (standard)** where visible at the ceiling line. The bottom cover attaches easily without fasteners.
- The **bent steel** headbox may be installed in the ceiling, well in advance of the Shades, allowing for easy coordination with various trades.

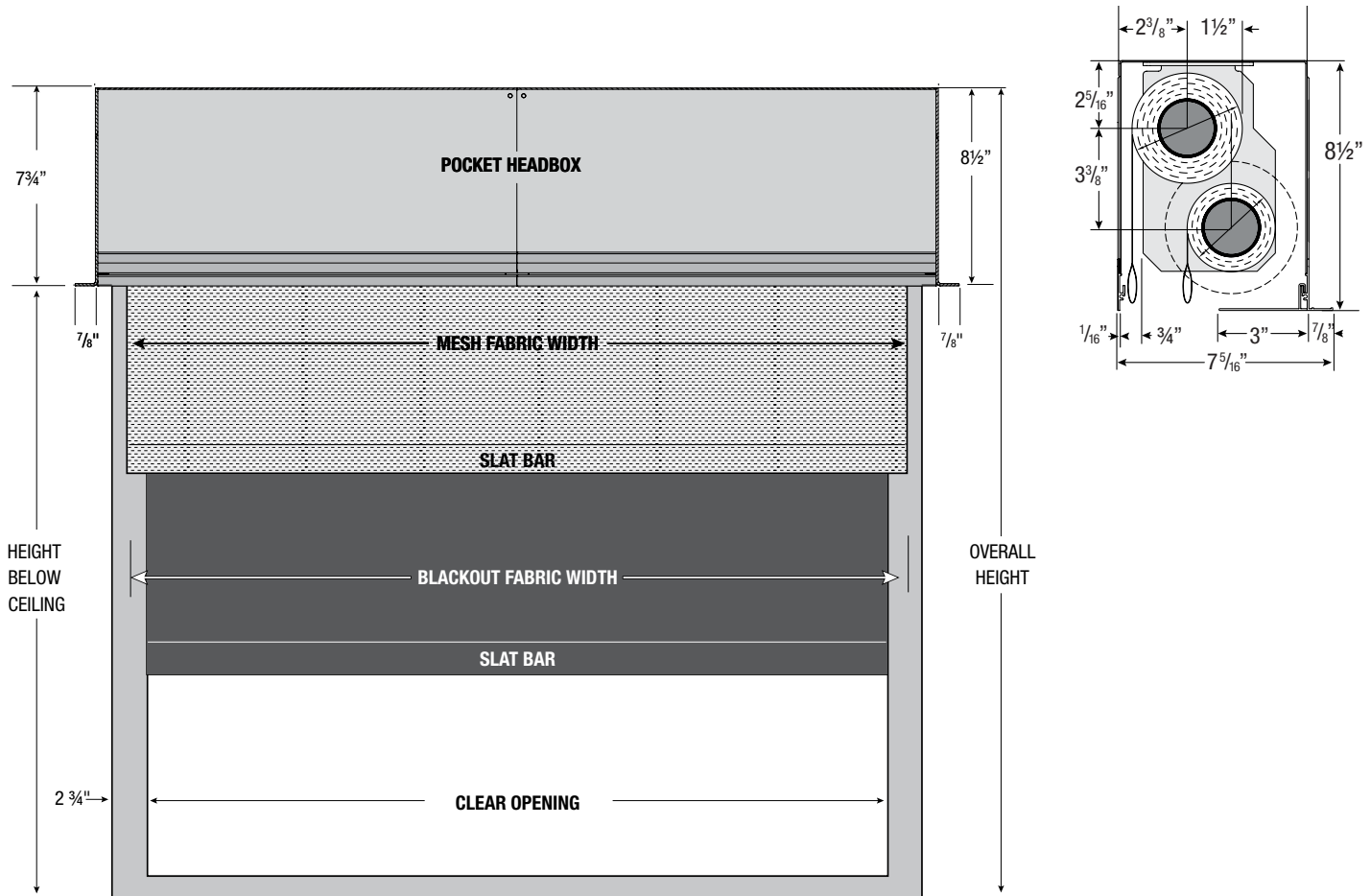
For pricing, see the grid below.

Options

- Suspended or flush mounting available.
- Shades may be coupled, minimizing wiring and use of motors (see page 51).
- Motors, Controls & Accessories beginning on page 22.

Dual Roller Pocket FlexShade® – Headbox Only

WIDTH	3'	4'	5'	6'	7'	8'	9'	10'	11'	12'	13'	14'
With Tile Lip	\$251	\$277	\$303	\$329	\$355	\$381	\$406	\$432	\$458	\$484	\$510	\$536
Without Tile Lip	\$238	\$259	\$281	\$303	\$324	\$346	\$368	\$389	\$411	\$432	\$454	\$476



Standard Motor Options

Draper has an extensive array of motors and controls. To make the selection process easier, we have listed motor options adjacent to the control options that are available. You will notice that standard motors are used with IntelliFlex controls, radio motors are used with radio motor controls, low voltage, and battery motors are used with radio motor controls, and RS485 motors are used with RS485 controls. Rules for motor upgrade options do vary between motor types so please review each page to see how to price. If you need help deciding which type of motor is the best fit for your project, please contact a Draper sales associate.

Standard Motors—These motors are 120V with a 4-wire pigtail. **Standard Motors are used with IntelliFlex® Control System Components** (see page 23). Control pricing should be figured separate from shade pricing. Motorized product grids in this price list are priced using standard motors. Quiet standard motors can be priced as an upgrade from standard motors. The motorized pricing grids beginning on page 13 have the motor prices configured into them, except quiet motors. 220V motors are not listed.

Part No.	Item	Replacement Price	Upgrade Price
C047.250	Sonesse 506	\$380	N/A
C047.251	Sonesse 510	500	N/A
C047.244*	Sonesse Ultra 506	690	\$230
C047.050	Sonesse 506 - FlexShade 2	380	N/A
C047.058	Sonesse 510 - FlexShade 2	540	N/A
C047.032	LT60 660 - Colossal	770	N/A

***Ultra motors operate at 38 dBA. Motor noise is reduced by approximately 20%.**

These motors cannot be parallel wired.

Cable Upgrade Options for Standard Motors

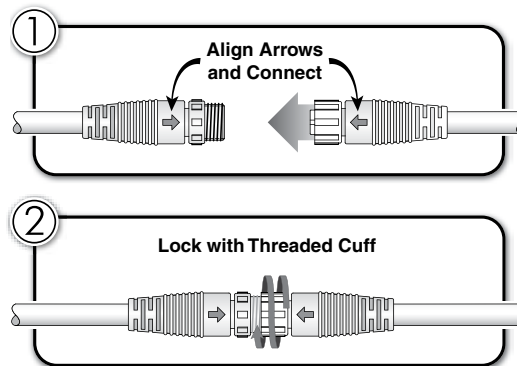
Part No.	Item	Upgrade Price
C116.038	6' cord without plug	\$40
C116.009	24' cord without plug	70
C079.013	Anderson plug, male	24
C079.050	Anderson plug, female	24
503109	Motor Test Cord	100

Note: Not all motors are available in all products or sizes. Please contact Draper for details

M12 Connector

Draper Motorized FlexShades are provided with M12 connectors as standard. This includes standard, quiet, RS485, and RTS motors. Product exceptions include FlexShade 2, Colossal, and Skylight 2 & 3. M12 connectors provide a secure, moisture resistant connection. The connector is small, easy to conceal, and passes through standard cable exit openings. 4 wire motor lead are used with standard motors, and 3 wire leads with RS485 and RTS motors. Motors are furnished with 1' males motor lead. 5' (standard), 11', 17', 23' female cables are available. Metal jacketed female cables are available in 5' and 23' lengths.

Part No.	Item	Price
C107.086	4 Wire 1' Motor lead with Male M12 Connector	\$24
C107.087	3 Wire 1' Motor lead with Male M12 Connector	24
C107.088.060	5' flexible metal jacketed wires with female M12 connector	120
C107.088.276	23' flexible metal jacketed wires with female M12 connector	120
C107.093.060	3 Wire 5' Cord with Female M12 Connector	30
C107.089.060	4 Wire 5' Cord with Female M12 Connector	30
C107.089.132	4 Wire 9' Cord with Female M12 Connector	55
C107.089.204	4 Wire 17' Cord with Female M12 Connector	60
C107.089.276	4 Wire 23' Cord with Female M12 Connector	75



Standard Motor Control Options

IntelliFlex® Controls provide intelligence to standard motors. IntelliFlex® can provide individual and group control from a variety of inputs. Please visit <http://www.draperinc.com/go/IntelliFlexControl.htm> or contact Draper for more information. 220V switches are not listed. Controls are now 220V. Radio and Intelligent Technology Controls cannot be used in combination with IntelliFlex® Controls.

NOTE: Standard motor may not be parallel wired without at least using one isolating relay per motor.

Line Voltage Control

Part No.	Item	Price
121101	Switch, Maintained SPDT Toggle, Ivory	\$28
121102	Switch, Maintained SPDT Toggle, White	28
121103	Switch, Momentary SPDT Toggle, Ivory	28
121104	Switch, Momentary SPDT Toggle, White	28
C112.012	Switch, Maintained DPDT Rocker, Ivory	56
C112.002	Switch, Maintained DPDT Rocker, White	56
C112.026	Switch, Momentary DPDT Rocker, Ivory	56
C112.043	Switch, Momentary DPDT Rocker, White	56
121018	Switch, Key operated, SPDT (maintained)	110
121022	Switch, Key operated, SPDT (momentary)	110
C064.020	Extra Key for Light Duty Indoor Key Switch	15
C157.016	ISO- Isolation Relay Device, w/Insulator Board, Gen 3 (allows "Daisy Chaining")	86
C156.172	GC4 Four Motor Group 115-230 VAC Switching, Gen 3	355

IntelliFlex Low Voltage Smart Control—For external control systems, choose from the following:

Motor Controls		
C156.168	SC1 Smart Control, Preset Stops for 1 motor, Gen 3	\$240
C156.169	SGC1 Smart Group Control, NO PRESETS for 1 motor, Gen 3	180
C156.171	SGC4 Smart Group Control, NO PRESETS 4 motors, Gen 3	598
C156.170	SPGC4 Smart Group and Individual Control, Preset Stops for up to 4 motors, Gen 3	1,000
Automation Devices		
C157.015	Sun Sensor/Timer Interface	\$384
C156.199	Timer Interface	275
C103.062	Ethernet to Serial Bridge	300
C156.191	RS 232/485 Translator for serial operation	250
C112.124	Dry Contact Input Board (DCI-6)	116
C112.134	Dry Contact Input Board (DCI-12)	316

Input Devices for Controlling Shades

IntelliFlex® Wall Switches		
*Various	IntelliFlex® 2 to 6 Button Dry Contact Closure wall switch.	\$150
*Various	IntelliFlex® 8 to 12 Button Dry Contact Closure wall switch.	400
*Please see our IntelliFlex® switch reference sheet online at http://www.draperinc.com/go/IntelliFlexWallSwitches.htm for a full list of part numbers and switch configurations.		
Infrared Control Components		
C072.053	IR Remote	\$60
C081.024	IR Eye	92
Miscellaneous Components		
C079.052	Wago Plug Set – Male/Female	\$ 51
C079.061	Wago Motor Cable Plug – Wall Entry Plate Set	56
C156.196	Programming Kit- Connects PC to the GEN 3 controls. Required for programming.	300
C107.062	Micro USB to Micro USB Cable, Input Component Cable- 2 ft.	50
C107.063	Micro USB to Micro USB Cable, Input Component Cable- 8 ft.	60
503109	Motor Test Cable (with alligator clips)	100

Individual and Group Control—Individual and Group Control up to 4 motors per controller. Controls are not 220V compatible.

Part No.	Item	Price
C156.253	IGC 4N1 Motor Controller	\$500
C112.155	DecoFlex™ IGC-4N1 Dry Contact Keypad	90
C156.262	IGC 4N1 RTS Radio Receiver— (allows IGC-4N1 to be used with Telis handheld RTS transmitters. See Radio motor control options for pricing)	300

Radio Motor Options

Radio Motor System—These motors have a built-in radio receiver and are 120V with a 3-wire pigtail. 220V motors are not listed but available by quotation. Motorized product grids in this price list are figured with standard motors. The motors on this page require an upgrade cost be added to the price in the grid. Radio Motor Controls shown below.

Part No.	Item	Replacement Price	Upgrade Price
C047.248	Sonesse 506 RTS	\$490	\$170
C047.249	Sonesse 510 RTS	648	288
C047.117	LT50 Altus 506 RTS - FlexShade 2	490	170
C047.118	LT50 Altus 510 RTS - FlexShade 2	660	288
C047.245*	Sonesse Ultra 506 RTS	820	320

***Ultra motors operate at 38 dBA. Motor noise is reduced by approximately 20%.**

These motors may be parallel wired, and may plug into a three prong outlet for power with a cable option selected from the group below.

Radio Motor Power Cable Options—

RTS motors are provided standard with M12 connectors. Cables shown below are alternatives.

Part No.	Item	Price
C107.045	3' RTS Motor Cable, with 3-prong NEMA plug	\$28
C107.021	6' RTS Motor Cable, with 3-prong NEMA plug	36
C107.039	10' RTS Motor Cable, with 3-prong NEMA plug	40
C107.040	24' RTS Motor Cable, with 3-prong NEMA plug	80

Note: Not all motors are available in all products or sizes. Please contact Draper for details.

Radio Motor Control Options

Radio Motor Controls— Radio frequency range will vary from install to install. There is no way to predict radio frequency range factors and factors can change throughout the day. All Radio Motors (high voltage, low voltage, and battery) work with the same transmitters. They do have different instructions which can be found on-line at www.draperinc.com.

Remotes		
C072.011	Telis 1 RTS Single Channel Remote (white)	\$104
C156.119	Telis 1 RTS Single Channel Remote (black)	126
C072.012	Telis 4 RTS Five Channel Remote (white)	135
C156.118	Telis 4 RTS Five Channel Remote (black)	152
C072.049	Telis 16 Sixteen Channel RTS Remote (white)	455
C072.050	Telis 16 Sixteen Channel RTS Remote (silver)	470
Wireless Wall Switches		
C112.119	DecoFlex™ 1 Channel RTS Wireless Wall Switch (ivory)	250
C112.074	DecoFlex™ 1 Channel RTS Wireless Wall Switch (white)	250
C112.127	DecoFlex™ 2 Channel RTS Wireless Wall Switch (ivory)	256
C112.128	DecoFlex™ 2 Channel RTS Wireless Wall Switch (white)	256
C112.129	DecoFlex™ 3 Channel RTS Wireless Wall Switch (ivory)	256
C112.130	DecoFlex™ 3 Channel RTS Wireless Wall Switch (white)	256
C112.131	DecoFlex™ 4 Channel RTS Wireless Wall Switch (ivory)	256
C112.132	DecoFlex™ 4 Channel RTS Wireless Wall Switch (white)	256
C112.077	DecoFlex™ 5 Channel RTS Wireless Wall Switch (ivory)	270
C112.076	DecoFlex™ 5 Channel RTS Wireless Wall Switch (white)	270
Sensors		
C156.117	RTS Sun Sensor	380
Timers		
C072.056	Telis 1 Chronis RTS Timer with On-Screen display (white)	177
—	Telis 1 Chronis RTS Timer with On-Screen display (silver)	198
User Interfaces		
C156.205	myLink™ WiFi to RTS Interface	360
C156.100	RTS Dry Contact Interface	140
C156.101	URTSI II Universal RTS Interface (requires one of the DB9 to RJ45 adapters shown below)	820
Accessories		
C072.044	RTS Repeater*	350
C156.120	RTS Receiver for Standard Motor	360
C103.067	DB9 to RJ45 adapter for RS232	30
C103.068	DB9 to RJ45 adapter for RS485	30

*An RTS Repeater is required to improve or extend the range of a transmitter when needed. Placed near the edge of original transmitter range, an RTS Repeater can effectively double the range. Please contact Draper with any questions about motor capabilities or control interactions.

Note: If using a Type D headbox, the power cable must exit the box as it is the motor's antenna. Not all motors are available in all products or sizes. Contact Draper for details.

Intelligent RS485 Motors and Controls

485 Intelligent Motors

Part No.	Item	Replacement Cost	Upgrade Cost
C047.246	Sonesse 506 RS485 (AC)	\$434	\$240
C047.247	Sonesse 510 RS485 (AC)	520	328
C047.272*	Sonesse Ultra 504 RS485 (24V DC)	564	370
C047.183	Sonesse 30 RS485 (24V DC)	500	308

***Ultra motors operate at 38 dBA. Motor noise is reduced by approximately 20%.**

RS485 Motor Power Cable Options—

RTS motors are provided standard with M12 connectors. Cables shown below are alternatives.

Part No.	Item	Price
C107.045	3' Motor Cable with 3 prong NEMA plug	\$28
C107.021	6' Motor Cable with 3 prong NEMA plug	36
C107.039	10' Motor Cable with 3 prong NEMA plug	40
C107.040	24' Motor Cable with 3 prong NEMA plug	80

RS485 Motor Communication Cable Options

Part No.	Item	Price
C107.082	2.5' RJ9 to RJ45 Cable	\$20
C107.083	8' RJ9 to RJ45 Cable	31
C107.084	12' RJ9 to RJ45 Cable	36
C107.085	24' RJ9 to RJ45 Cable	45
C156.251	RS485 Cable JST-RJ45 (required to connect ST30 485 motor to limit/address tool C156.241)	36

RS485 Intelligent Motor Control Options

Bus Distribution		
C156.208	Data Hub for 485 Motor	\$140
C156.209	Data Hub Plus for 485 Motor	350
Sensors		
C156.242	Animeo® IP Outside Sensor Box	\$2,200
C156.244	Animeo® IP Inside Sensor Box	1,800
C156.246	Animeo® IP Compact Sensor	3,200
C156.252	Brightness sensor	92
Building Controllers		
C156.250	Animeo® IP Building Controller	\$8,200
C156.249	Animeo® IP Sub Controller	6,400
C156.211	SDN Data Panel	3,000
User Interfaces		
--	Somfy Connect BMS Interface	\$4,000
C156.247	Somfy Connect LTI	800
C156.240	Z-Wave to RTS Interface 2 (ZRTSI)	600
C156.243	Z-Wave to Digital Motor Interface (ZDMI)	300
C156.245	Zigbee to Digital Motor Interface (ZBDMI)	500
C156.239	Animeo® IP RTS Receiver	240
C156.248	RTS Receiver for 485	180
C112.146	SDN RS485/Animeo® IP 6 button wall switch	240
C112.147	SDN RS485/Animeo® IP 8 button wall switch	260
Accessories		
C258.012	Bus Power Supply, 24V, 1A	\$190
C156.210	RS485 Extender	650
C156.241	RS485 Address / Limit tool	580
C156.116	USB to RS485 Adaptor for SDN	400

Power Panels for RS485 DC Motors

Part No.	Item	Price
C044.212	20 Motor Power Panel	\$2,500
C044.213	15 Motor Power Panel	2,100
C156.212	10 Motor Power Panel (New Style)	3,000
C044.175	10 Motor Power Panel	1,600
C044.214	5 Motor Power Panel	1,200

Note: Not all motors are available in all products or sizes. Please contact Draper for details.

NEW! FlexShade Recharge Battery Motors & Accessories

Recharge is Draper's latest line of battery powered motors and controls. As the name reveals, these motors contain internal batteries that can be recharged. Recharge offers other numerous advantages over traditional battery operated shades including: **Quieter operation, available in larger sizes, no external battery wand or batteries to replace, and easy to use controls.** These motors are priced as an upgrade for Clutch FlexShades only. Clutch FlexShade pricing begins on page 29.

Recharge Motors— Prices are in addition to your Clutch FlexShade base price. Motor size varies based on shade size. Contact Draper for details.

Part No.	Item	Price
C047.281	Recharge 25 - 25 mm DCRF, 1.1 nm, 40 rpm— 1 ½" or 2" tubes	\$300
C047.282	Recharge 28 - 28 mm DCRF, 2 nm, 28 rpm— 1 ½", 2", or 2 ½" tubes	330
C047.283	Recharge 45 - 45 mm DCRF, 3 nm, 28 rpm— 2 ½" tube	410

Recharge Accessories

Part No.	Item	Price
C088.004	Recharger for Recharge Battery Motors— <i>Please specify quantity at time of order (at least 1 is necessary)</i>	\$32
C044.234	Solar Panel for Recharge Battery Motors	90
C107.095	Recharge Motor Cable Extender - 6"	10
C107.096	Recharge Motor Cable Extender - 48"	14
C107.094	Recharge Motor Cable Extender - 96"	16

Recharge Controls

Part No.	Item	Price
C156.263	Recharge RF 1 Channel Remote	\$72
C156.260	Recharge RF 15 Channel Remote	86
C112.156	Recharge RF 5 Channel Surface Mount Switch	62
C112.157	Recharge RF 1 Channel Switch (cut-in)	56
C112.158	Recharge RF 2 Channel Switch (cut-in)	62
C112.159	Recharge RF 15 Channel Switch (cut-in)	66
C010.534	Screwless Switch Cover Plate	32
C232.014	Recharge Sun Sensor	50
C156.264	Recharge 1 Channel Dry Contact Interface	30
C156.261	Recharge Arc Wi-Fi to 433 2 way RF Bridge Kit	280

Battery and Low Voltage Motor Options

These controls and accessories are not compatible with ReCharge Battery Powered Motors.

Battery and 24V Quiet Motors—These motors act as upgrades for Clutch FlexShades® only. 24V ST30 motor requires a transformer (prices shown at bottom of this page). Clutch FlexShade® grids in this price list are used to determine base pricing. The motor prices on this page are added to that base price to determine final price. Transformers are required if pricing low voltage motors. **Only Clutch FlexShades® using 1 1/2" rollers can be used with motors on this page (maximum width approx. 90").** If you are unsure that your Shades will work with these motors please contact Draper.

Part No.	Item	Price
C047.269	Roll Up WireFree R28 RTS	\$350
C047.165	Sonesse 30 RTS	500
C047.182	Sonesse 30 DCT	500

Battery (LT30) and Low Voltage Motor (ST30) Accessories

Part No.	Item	Price
C105.006	Reloadable AA Lithium Battery Wand (batteries not included), 18" L x 1 1/16" Diam.	\$60
C105.007	8 Pack AA Lithium Batteries for use with C105.006	35
C116.040	Y Cable—Required if using two reloadable battery wands (C105.006)	6
C116.035	10" Battery Cable	9
C041.029	Solar Battery Pack (includes battery and solar panel)	200
C002.1023	Solar Panel Mounting Bracket	45
C088.003	Solar Battery Pack Charger Kit	194
C116.036	48" Battery Cable	18
C116.037	96" Battery Cable	26
C202.025	ST30 24V Dry Contact Motor Motor Limit Setting Tool	55
C112.115	ST30 24V Dry Contact Motor Switch (white)	140
C112.116	ST30 24V Dry Contact Motor Switch (ivory)	140

Max 8 Sonesse 30 DCT motors per switch

Transformers for 24V Low Voltage Motor (ST30)—Each 24V Quiet motor requires a transformer.

Part No.	Item	Price
C215.009	24VDC 1.66A, 1 motor, Plug-In Wall Type	\$82
C044.212	20 Motor Power Panel	2,500
C044.213	15 Motor Power Panel	2,100
C044.175	10 Motor Power Panel	1,600
C044.214	5 Motor Power Panel	1,200

Note: Battery length can affect shade width minimums (see above). Not all motors are available in all products or sizes. Contact Draper for details.

Battery and Low Voltage Motor Control Options

If you have any questions about motor capabilities or control interactions, please contact Draper. All Radio Motors (high voltage, low voltage, and battery) work with the same transmitters. They do have different instructions which can be found on-line.

Battery and Low Voltage Motor Controls

Remotes		
C072.011	Telis 1 RTS Single Channel Remote (white)	\$104
C156.119	Telis 1 RTS Single Channel Remote (black)	126
C072.012	Telis 4 RTS Five Channel Remote (white)	135
C156.118	Telis 4 RTS Five Channel Remote (black)	152
C072.049	Telis 16 Sixteen Channel RTS Remote (white)	455
C072.050	Telis 16 Sixteen Channel RTS Remote (silver)	470
Wireless Wall Switches		
C112.119	DecoFlex™ 1 Channel RTS Wireless Wall Switch (ivory)	250
C112.074	DecoFlex™ 1 Channel RTS Wireless Wall Switch (white)	250
C112.127	DecoFlex™ 2 Channel RTS Wireless Wall Switch (ivory)	256
C112.128	DecoFlex™ 2 Channel RTS Wireless Wall Switch (white)	256
C112.129	DecoFlex™ 3 Channel RTS Wireless Wall Switch (ivory)	256
C112.130	DecoFlex™ 3 Channel RTS Wireless Wall Switch (white)	256
C112.131	DecoFlex™ 4 Channel RTS Wireless Wall Switch (ivory)	256
C112.132	DecoFlex™ 4 Channel RTS Wireless Wall Switch (white)	256
C112.077	DecoFlex™ 5 Channel RTS Wireless Wall Switch (ivory)	270
C112.076	DecoFlex™ 5 Channel RTS Wireless Wall Switch (white)	270
User Interfaces		
C156.205	myLink™ WiFi to RTS Interface	360
C156.100	RTS Dry Contact Interface	140
C156.101	URTSI II Universal RTS Interface (requires one of the DB9 to RJ45 adapters shown below)	820
Accessories		
C072.044	RTS Repeater*	350
C103.067	DB9 to RJ45 adapter for RS232	30
C103.068	DB9 to RJ45 adapter for RS485	30

RF interference can reduce battery life dramatically. If this is a concern for your installation, then low voltage or high voltage Radio motors are recommended.

STANDARDS

- Metal tube, with bead chain clutch operator on the right side standard, as seen from the room side. Left side operator available. Chain tension device included.
- 1" Elliptical slat inside of 1 5/8" heat-seamed pocket with heat sealed ends. Additional hem options available. See bottom of page 28 for details.
- Brackets for inside, outside or ceiling mounting. Some large Shades may require fabric stays at each panel seam at Draper's discretion. Call for details.

OPTIONS

- Optional radius or square fascia and headbox with end caps available in two sizes (standard size and larger size to accommodate larger Shades).
- Hardware finish for fascia or headbox: Clear anodized (standard), ivory, charcoal bronze, white, and black. Fabric wrapped fascia also available. For pricing, multiply the cost of selected fascia times two.
- Clutches available in white (standard) or black.

ANSI/WCMA A100.1 Compliance:

- Recommended for installing where small children are present.
- Pre-installed Spring-Loaded Chain Tension Device (Owl Clip) with Bead Chain threaded through it. **Part No. C504.097**
- Approved permanent warning label is attached.
- Approved mechanical fasteners included.
- If the tension device is not installed properly, or becomes unattached from the mounting surface, the shade will be rendered partially inoperable. If installed properly, the tension device will also prevent the creation of a hazardous loop and will maintain tension on the bead chain. The tension device and label require tools to be removed. ANSI/WCMA compliance is an option that must be specified at time of order. **\$2.00 upcharge.**

Operating Mechanism

- Bead chain clutch (stainless steel chain standard, ivory, grey, black, white or brown polyester available at no extra charge). Clutch mechanism and roller are sized as needed for shade panel lifting requirement. If Spring Lift Assist is required, it has already been included in pricing below.

Crank Upgrade

- If fascia/headbox are not required, please add cost for end caps and Crank/Gearbox. Maximum shade width of 120". See table below for parts and pricing.

Battery and 24V Motor Upgrade

- Clutch FlexShades® can be upgraded to battery or 24V motors. Add motor upgrade prices starting on page 26 to Clutch FlexShade® prices shown below. Sizes limited, contact Draper for restrictions.

Part No.	Item	Price
--	Crank/Gearbox with fixed handle	\$91
--	Crank/Gearbox with no handle	52
--	Detachable crank handle, 72" standard	39
--	Heavy Duty detachable crank handle, 120" max	56.50
--	Heavy Duty twopiece crank handle*, 240" max	115

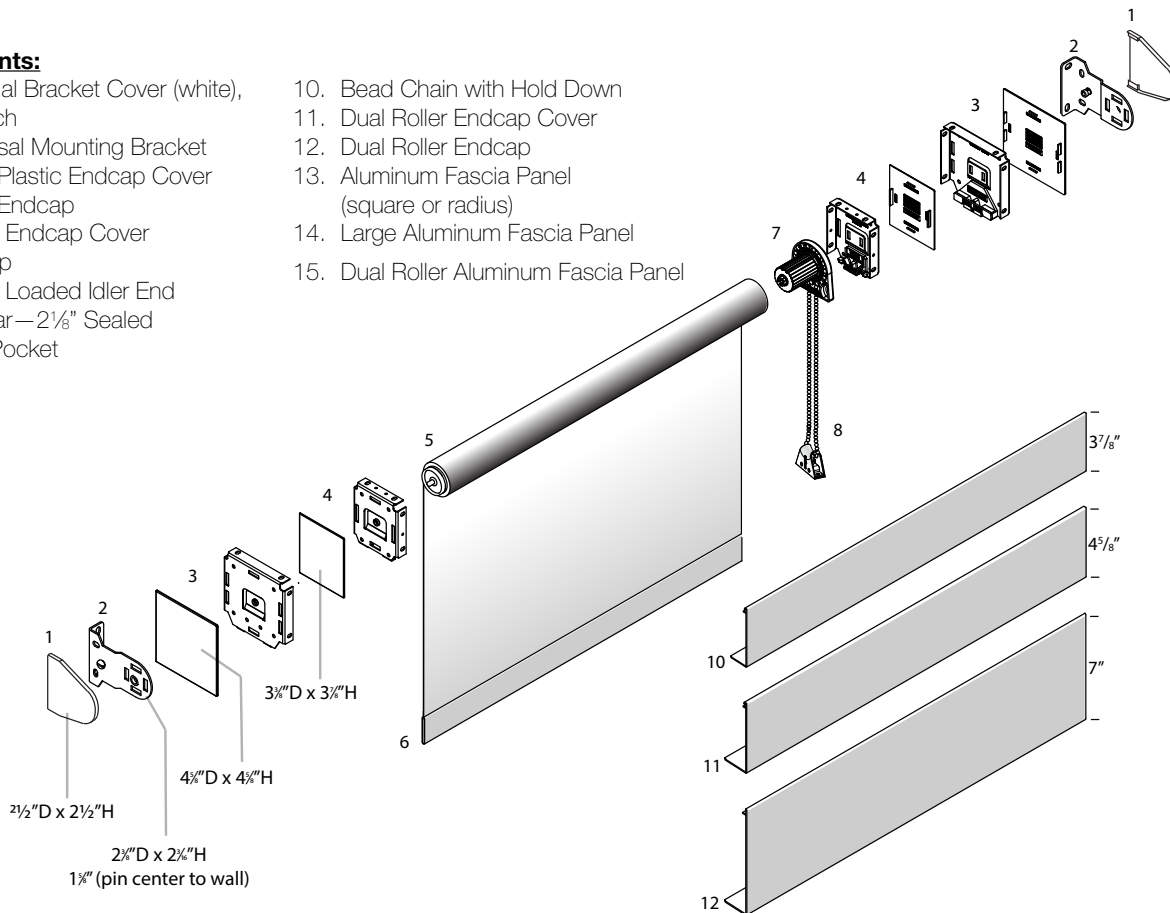
*Extension permanently mounts to wall.

Includes connector for use with detachable crank handle

C504.043	Replacement Chain tension device	\$2
C504.097	Spring-loaded Chain tension device—Inhibits operation until locking mechanism is depressed	\$4
C002.1340	Universal Brackets (black)	4/pair
C126.077	Bracket Covers (white)	4/pair
--	End Caps instead of brackets—small hardware	10/pair
--	End Caps instead of brackets—large hardware	20/pair

Components:

- Optional Bracket Cover (white), \$2 each
- Universal Mounting Bracket
- Large Plastic Endcap Cover
- Large Endcap
- Plastic Endcap Cover
- Endcap
- Spring Loaded Idler End
- Slat Bar—2 1/8" Sealed Hem Pocket
- Clutch
- Bead Chain with Hold Down
- Dual Roller Endcap Cover
- Dual Roller Endcap
- Aluminum Fascia Panel (square or radius)
- Large Aluminum Fascia Panel
- Dual Roller Aluminum Fascia Panel



Clutch FlexShade® Fabrics

Headbox/Fascia Prices for Clutch FlexShades® (all fabrics)

CLOTH WIDTH	31"	36"	42"	45"	48"	54"	60"	63"	72"	84"	98"	108"	120"	132"	144"
3 7/8" Sm. Radius Fascia	\$32	\$34	\$36	\$37	\$38	\$40	\$43	\$44	\$47	\$51	\$57	\$64	\$68	\$73	\$78
3 7/8" Sm. Square Fascia	32	34	36	37	38	40	43	44	47	51	57	64	68	73	78
4 5/8" Lg. Radius Fascia	39	41	43	45	48	51	54	55	60	66	72	84	90	96	102
4 5/8" Lg. Square Fascia	39	41	43	45	48	51	54	55	60	66	72	84	90	96	102
3 15/16" Sm. Headbox	75	78	86	87	92	98	102	107	116	128	142	152	164	176	188
4 11/16" Lg. Headbox	90	99	105	112	114	122	135	135	148	165	184	199	215	232	249
Dual Roller with Fascia ¹	64	68	72	74	76	80	86	88	94	102	114	—	—	—	—

¹Some height restrictions apply to Dual Roller with Fascia. Contact Draper for details.

Sizes below black line require seams. — Sizes in green require large fascia/headbox. All others use small fascia/headbox.

Spring Assist is an optional upgrade on sizes that do not include it for an additional \$60.

For more details visit the Draper PRO Portal: Draperinc.com/DraperPro

SB9000/9100—(SB9100 sizes larger than 72" wide will have seams.)

CLOTH WIDTH	36"	45"	54"	63"	72"	84"	96"	108"	120"	132"	144"
36"	\$96	\$114	\$117 [^]	\$127 [^]	\$135 [^]	\$179 [^]	\$189 [^]	\$237 [^]	\$246 [^]	\$409 [^]	\$450 [^]
42"	99	119	123 [^]	133 [^]	141 [^]	191 [^]	200 [^]	252 [^]	260 [^]	410 [^]	451 [^]
48"	103	124	128 [^]	139 [^]	147 [^]	202 [^]	212 [^]	266 [^]	275 [^]	426 [^]	468 [^]
54"	107	129	133 [^]	144 [^]	153 [^]	213 [^]	243 [^]	281 [^]	434 [^]	436 [^]	479 [^]
60"	110	134	138 [^]	150 [^]	160 [^]	225 [^]	255 [^]	295 [^]	448 [^]	450 [^]	480 [^]
66"	114	140	143 [^]	156 [^]	166 [^]	236 [^]	267 [^]	310 [^]	463 [^]	567 [^]	607 [^]
72"	117	145	149 [^]	162 [^]	172 [^]	247 [^]	279 [^]	325 [^]	477 [^]	568 [^]	608 [^]
78"	123	151	155 [^]	169 [^]	180 [^]	260 [^]	292 [^]	341 [^]	494 [^]	597 [^]	609 [^]
84"	126	157	161 [^]	175 [^]	186 [^]	272 [^]	304 [^]	355 [^]	508 [^]	598 [^]	610 [^]
90"	130	162	166 [^]	181 [^]	192 [^]	283 [^]	315 [^]	370 [^]	522 [^]	624 [^]	669 [^]
96"	133	167	171 [^]	187 [^]	199 [^]	294 [^]	327 [^]	453 [^]	537 [^]	625 [^]	670 [^]
108"	141	178	182 [^]	199 [^]	212 [^]	318 [^]	350 [^]	550 [^]	566 [^]	627 [^]	671 [^]
120"	151	191	195 [^]	214 [^]	227 [^]	343 [^]	376 [^]	581 [^]	597 [^]	1,016 [^]	—
132"	158	201	205 [^]	225 [^]	239 [^]	381 [^]	400 [^]	610 [^]	626 [^]	1,018 [*]	—
144"	165	212	216 [^]	237 [^]	252 [^]	404 [^]	423 [^]	639 [^]	655 [^]	—	—

[^]Spring-Assist Recommended

^{*}Spring Assist Included

Roc-Rol—Opaque

CLOTH WIDTH	36"	42"	48"	55"	59"	72"	84"	96"	110"	118"	132"	144"
36"	\$130	\$133	\$190 [^]	\$194 [^]	\$198 [^]	\$203 [^]	\$210 [^]	\$357 [^]	\$415 [^]	\$453 [^]	\$645 [^]	\$704 [^]
42"	138	141	205 [^]	209 [^]	214 [^]	219 [^]	226 [^]	358 [^]	416 [^]	454 [^]	646 [^]	705 [^]
48"	146	149	221 [^]	225 [^]	230 [^]	235 [^]	242 [^]	359 [^]	417 [^]	455 [^]	647 [^]	706 [^]
54"	155	158	237 [^]	241 [^]	245 [^]	250 [^]	257 [^]	379 [^]	418 [^]	600 [^]	648 [^]	707 [^]
60"	163	166	252 [^]	256 [^]	261 [^]	266 [^]	273 [^]	380 [^]	419 [^]	601 [^]	661 [^]	708 [^]
66"	171	174	268 [^]	272 [^]	276 [^]	281 [^]	288 [^]	381 [^]	420 [^]	602 [^]	662 [^]	709 [^]
72"	179	182	283 [^]	287 [^]	292 [^]	297 [^]	304 [^]	382 [^]	421 [^]	603 [^]	663 [^]	788 [^]
78"	189	192	301 [^]	305 [^]	309 [^]	314 [^]	321 [^]	581 [^]	637 [^]	833 [^]	892 [^]	951 [^]
84"	198	201	316 [^]	320 [^]	325 [^]	330 [^]	337 [^]	582 [^]	638 [^]	834 [^]	893 [^]	952 [^]
90"	206	209	332 [^]	336 [^]	340 [^]	345 [^]	352 [^]	583 [^]	639 [^]	835 [^]	894 [^]	—
96"	214	217	348 [^]	351 [^]	356 [^]	361 [^]	368 [^]	584 [^]	707 [^]	836 [^]	895 [^]	—
108"	231	234	379 [^]	383 [^]	388 [^]	393 [^]	400 [^]	586 [^]	777 [^]	838 [^]	896 [^]	—
120"	251	254	413 [^]	417 [^]	422 [^]	427 [^]	434 [^]	713 [^]	920 [^]	995 [^]	—	—
132"	267	270	444 [^]	448 [^]	453 [^]	458 [^]	481 [^]	715 [^]	922 [^]	997 [^]	—	—
144"	284	287	476 [^]	480 [^]	484 [^]	489 [^]	512 [^]	717 [^]	924 [^]	—	—	—

[^]Spring-Assist Recommended

^{*}Spring Assist Included

Avila Twilight—Opaque.

CLOTH WIDTH	36"	42"	48"	55"	59"	72"	84"	96"	108"	118"	132"	144"
36"	\$172	\$175 [^]	\$178 [^]	\$182 [^]	\$187 [^]	\$287 [^]	\$294 [^]	\$301 [^]	\$329 [^]	\$337 [^]	\$575 [^]	\$648 [^]
42"	186	189	192 [^]	196 [^]	201 [^]	315 [^]	321 [^]	328 [^]	356 [^]	365 [^]	576 [^]	649 [^]
48"	201	204	207 [^]	210 [^]	215 [^]	342 [^]	349 [^]	355 [^]	384 [^]	392 [^]	577 [^]	650 [^]
54"	215	218	221 [^]	224 [^]	229 [^]	369 [^]	376 [^]	402 [^]	411 [^]	530 [^]	878 [^]	977 [^]
60"	229	232	235 [^]	238 [^]	243 [^]	396 [^]	403 [^]	429 [^]	438 [^]	557 [^]	906 [^]	978 [^]
66"	243	246	249 [^]	252 [^]	257 [^]	424 [^]	430 [^]	457 [^]	466 [^]	584 [^]	907 [^]	979 [^]
72"	257	260	263 [^]	266 [^]	271 [^]	451 [^]	457 [^]	484 [^]	493 [^]	611 [^]	908 [^]	980 [^]
78"	272	275	278 [^]	282 [^]	287 [^]	479 [^]	486 [^]	513 [^]	522 [^]	640 [^]	912 [^]	981 [^]
84"	287	290	292 [^]	296 [^]	301 [^]	507 [^]	514 [^]	540 [^]	549 [^]	667 [^]	915 [^]	982 [^]
90"	301	304	306 [^]	310 [^]	315 [^]	534 [^]	541 [^]	567 [^]	576 [^]	694 [^]	916 [^]	983 [^]
96"	315	318	321 [^]	324 [^]	329 [^]	561 [^]	568 [^]	594 [^]	642 [^]	722 [^]	923 [^]	984 [^]
108"	343	346	349 [^]	353 [^]	358 [^]	616 [^]	623 [^]	649 [^]	761 [^]	776 [^]	924 [^]	—
120"	374	377	380 [^]	384 [^]	388 [^]	673 [^]	680 [^]	706 [^]	818 [^]	833 [^]	1,229 [*]	—
132"	402	405	408 [^]	412 [^]	416 [^]	728 [^]	750 [^]	760 [^]	872 [^]	888 [^]	1,230 [*]	—
144"	430	433	436 [^]	440 [^]	444 [^]	782 [^]	804 [^]	814 [^]	927 [^]	942 [^]	—	—

[^]Spring-Assist Recommended

^{*}Spring Assist Included

Clutch FlexShade® Fabrics

Flocké—Opaque. For 1% open Vizela fabric, multiply price below by .75.

CLOTH WIDTH	36"	42"	47"	54"	60"	72"	84"	94"	108"	120"	132"	144"
HEIGHT 36"	\$243	\$246^	\$250^	\$421^	\$426^	\$430^	\$437^	\$445^	\$998^	\$1,353^	\$1,354^	\$1,473^
42"	267	270^	273^	468^	472^	477^	484^	491^	999^	1,354^	1,355^	1,479^
48"	291	294^	297^	514^	519^	524^	531^	538^	1,000^	1,355^	1,356^	1,480^
54"	315	318^	321^	561^	565^	570^	577^	604^	1,001^	1,356^	1,357^	1,481^
60"	339	342^	345^	607^	612^	617^	624^	651^	1,002^	1,370^	1,371^	1,482^
66"	362	365	368^	654^	659^	664^	671^	697^	1,003^	1,371^	1,372^	1,483^
72"	386	389	392^	700^	705^	710^	717^	744^	1,004^	1,860^	1,872^	1,873^
78"	411	414	417^	749^	753^	758^	765^	792^	1,007^	1,863^	1,873^	1,874^
84"	435	438	441^	795^	800^	805^	812^	839^	1,008^	1,864^	1,875^	1,876^
90"	459	462	465^	842^	846^	851^	858^	885^	1,514^	1,954^	1,955^	—
96"	483	486	489^	889^	893^	898^	905^	932^	1,583^	1,955^	1,956^	—
108"	531	534	537^	982^	987^	992^	999^	1,025^	1,653^	2,478^	2,479*	—
120"	581	584	587^	1,078^	1,083^	1,088^	1,095^	1,121^	2,087^	2,479^	—	—
132"	629	631	634^	1,171^	1,176^	1,181^	1,204^	1,214^	2,089^	2,480^	—	—
144"	676	679	682^	1,264^	1,269^	1,274^	1,297^	1,307^	2,091^	—	—	—

^Spring-Assist Recommended

*Spring Assist Included

SW7000—Opaque.

CLOTH WIDTH	36"	42"	47"	54"	59"	72"	84"	94"	108"	118"	132"	144"
HEIGHT 36"	\$181	\$184^	\$213^	\$217^	\$222^	\$305^	\$312^	\$372^	\$401^	\$409^	\$720^	\$788^
42"	196	199	232^	236^	241^	334^	341^	409^	437^	446^	721^	789^
48"	211	214	251^	255^	260^	364^	371^	446^	474^	483^	722^	889^
54"	226	229	270^	274^	278^	393^	400^	502^	511^	664^	965^	1,055^
60"	241	244	289	293^	297^	422^	429^	539^	547^	701^	979^	1,056^
66"	257	259	308	311^	316^	452^	459^	576^	585^	737^	980^	1,057^
72"	272	275	326	330^	335^	481^	488^	612^	621^	774^	981^	1,058^
78"	288	291	347	351^	355^	512^	519^	650^	660^	812^	1,038^	1,059^
84"	304	307	366	369^	374^	542^	549^	687^	697^	849^	1,039^	1,060^
90"	319	322	384	388^	393^	571^	578^	724^	733^	886^	1,132^	1,221^
96"	334	337	403	407^	412^	601^	608^	761^	771^	923^	1,133^	1,222^
108"	365	368	441	445^	450^	660^	667^	834^	844^	996^	1,135^	1,224^
120"	398	401	482	486^	490^	722^	729^	910^	1,056^	1,072^	1,623^	—
132"	428	431	519	523^	528^	780^	803^	983^	1,129^	1,145^	2,034*	—
144"	459	462	557	561^	565^	839^	862^	1,057^	1,203^	1,219^	—	—

^Spring-Assist Recommended

*Spring Assist Included

SW7100—Opaque. When railroded, SW7100 will have battens. Contact Draper for details.

CLOTH WIDTH	36"	42"	48"	54"	60"	72"	84"	96"	108"	120"	132"	144"
HEIGHT 36"	\$192^	\$195^	\$199^	\$203^	\$207^	\$212^	\$262^	\$269^	\$400^	\$438^	\$629^	\$689^
42"	209^	212^	215^	219^	224^	229^	284^	291^	401^	439^	630^	690^
48"	226^	229^	232^	236^	241^	246^	307^	314^	402^	440^	631^	691^
54"	243^	246^	249^	253^	257^	262^	329^	356^	440^	627^	677^	741^
60"	260^	263^	266^	270^	274^	279^	352^	379^	441^	628^	691^	742^
66"	276^	279^	283^	287^	291^	296^	375^	401^	552^	749^	824^	—
72"	293^	296^	299^	303^	308^	313^	397^	424^	553^	750^	825^	—
78"	312^	315^	318^	322^	326^	331^	421^	448^	555^	753^	868*	—
84"	328^	331^	335^	338^	343^	348^	444^	471^	556^	754^	—	—
90"	345^	348^	351^	355^	360^	365^	467^	493^	837^	1,053^	—	—
96"	362^	365^	368^	372^	377^	381^	489^	516^	905^	1,054^	—	—
108"	396^	399^	402^	406^	411^	416^	535^	561^	1,179^	—	—	—
120"	433^	436^	439^	442^	447^	452^	583^	609^	1,183^	—	—	—
132"	466^	469^	472^	476^	481^	485^	644^	654^	1,185*	—	—	—
144"	500^	503^	506^	510^	514^	519^	689^	699^	1,391*	—	—	—

^Spring-Assist Recommended

*Spring Assist Included

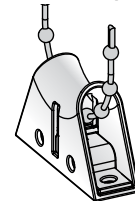
SW7500—Opaque.

CLOTH WIDTH	39"	49"	59"	78"	98"	108"	118"	132"	144"
HEIGHT 36"	\$134	\$137^	\$157^	\$186^	\$219^	\$268^	\$277^	\$479^	\$526^
42"	142	145^	167^	199^	234^	287^	295^	515^	564^
48"	151	154^	176^	212^	250^	305^	314^	516^	636^
54"	159	162	186^	224^	285^	324^	477^	581^	637^
60"	167	170	196^	237^	301^	342^	496^	595^	638^
66"	175	179	206^	249^	317^	362^	514^	596^	639^
72"	184	187	215^	262^	332^	380^	533^	666^	693^
78"	194	197	227^	276^	349^	401^	553^	695^	696^
84"	202	205	237^	289^	365^	419^	572^	696^	697^
90"	210	213	246^	302^	381^	438^	590^	720^	772^
96"	218	222	256^	314^	396^	452^	609^	721^	773^
108"	236	239	276^	340^	428^	493^	646^	722^	—
120"	255	258	299^	368^	461^	525^	686^	1,004^	—
132"	271	274	318^	393^	493^	567^	724^	1,006*	—
144"	288	291	338^	418^	524^	604^	761^	—	—

^Spring-Assist Recommended

*Spring Assist Included

Spring-loaded Chain Tension Device (Owl Clip)*



*For areas where small children are likely to be present. Inhibits operation until mounted and locking mechanism is depressed.

Part No. C504.097

Upgrade	\$2.00
Replacement	4.00

Clutch FlexShade® Fabrics

Headbox/Fascia Prices for Clutch FlexShades® (all fabrics)

CLOTH WIDTH	31"	36"	42"	45"	48"	54"	60"	63"	72"	84"	98"	108"	120"	132"	144"
3 7/8" Sm. Radius Fascia	\$32	\$34	\$36	\$37	\$38	\$40	\$43	\$44	\$47	\$51	\$57	\$64	\$68	\$73	\$78
3 7/8" Sm. Square Fascia	32	34	36	37	38	40	43	44	47	51	57	64	68	73	78
4 5/8" Lg. Radius Fascia	39	41	43	45	48	51	54	55	60	66	72	84	90	96	102
4 5/8" Lg. Square Fascia	39	41	43	45	48	51	54	55	60	66	72	84	90	96	102
3 15/16" Sm. Headbox	75	78	86	87	92	98	102	107	116	128	142	152	164	176	188
4 11/16" Lg. Headbox	90	99	105	112	114	122	135	135	148	165	184	199	215	232	249
Dual Roller with Fascia ¹	64	68	72	74	76	80	86	88	94	102	114	—	—	—	—

¹Some height restrictions apply to Dual Roller with Fascia. Contact Draper for details.

Sizes below black line require seams. — Sizes in green require large fascia/headbox. All others use small fascia/headbox.

Spring Assist is an optional upgrade on sizes that do not include it for an additional \$60.

For more details visit the Draper PRO Portal: Draperinc.com/DraperPro

GreenScreen® Evolve—Prices below are for 1% openness.

Use multiplier below to calculate price for other openness factors.

CLOTH WIDTH	36"	42"	48"	54"	59"	72"	84"	94"	108"	118"	132"	144"
HEIGHT 36"	\$157	\$164	\$167	\$170	\$175	\$264 [^]	\$271 [^]	\$277 [^]	\$306 [^]	\$314 [^]	\$563 [^]	\$617 [^]
42"	169	176	179	183	187	288 [^]	295 [^]	302 [^]	330 [^]	338 [^]	564 [^]	618 [^]
48"	181	189	192	195	200	312	319 [^]	326 [^]	354 [^]	362 [^]	565 [^]	619 [^]
54"	192	201	204	208	212	336	343 [^]	369 [^]	378 [^]	522 [^]	817 [^]	898 [^]
60"	204	213	216	220	225	360	367 [^]	393 [^]	402 [^]	545 [^]	833 [^]	899 [^]
66"	216	226	229	233	237	384	391 [^]	417 [^]	426 [^]	568 [^]	834 [^]	900 [^]
72"	228	238	241	245	249	408	415	441 [^]	450 [^]	591	835 [^]	901 [^]
78"	242	252	255	259	264	434	440	467 [^]	476	615	877 [^]	902 [^]
84"	254	265	268	272	276	458	464	491 [^]	500	638	878 [^]	903 [^]
90"	266	277	280	284	289	482	488	515 [^]	524	661	879	904 [^]
96"	278	290	293	297	301	506	512	539 [^]	600	684	880	905 [^]
108"	302	315	318	322	327	554	561	587	714	730	881	906 [^]
120"	329	343	346	350	354	605	612	637	762	779	1,152	1,233
132"	352	368	371	375	379	653	675	685	808	824	1,154	1,235
144"	376	393	396	400	404	701	723	733	854	870	1,156	1,236

[^]Spring-Assist Recommended

GreenScreen® Evolve: Fabric Multipliers

Fabric	Openness Factor	Multiply Above Prices by...
GreenScreen® Evolve	3%	0.97
GreenScreen® Evolve	5%	0.95
GreenScreen® Evolve	10%	0.92

GreenScreen® Revive—Prices below are for 1% openness. For 5% open fabric, multiply price below by .95.

CLOTH WIDTH	36"	42"	48"	54"	59"	72"	84"	94"	108"	118"	132"	144"
HEIGHT 36"	\$149	\$152	\$155	\$159	\$163	\$241 [^]	\$248 [^]	\$255 [^]	\$284 [^]	\$292 [^]	\$538 [^]	\$590 [^]
42"	159	163	166	170	174	262 [^]	269 [^]	276 [^]	304 [^]	313 [^]	539 [^]	591 [^]
48"	170	174	177	181	185	283	290 [^]	297 [^]	325 [^]	334 [^]	540 [^]	592 [^]
54"	181	184	187	191	196	303	310 [^]	337 [^]	346 [^]	499 [^]	767 [^]	839 [^]
60"	192	195	198	202	207	324	331 [^]	358 [^]	367 [^]	520 [^]	781 [^]	840 [^]
66"	203	206	209	213	218	345	352 [^]	379 [^]	388 [^]	541 [^]	782 [^]	841 [^]
72"	214	217	220	224	228	366	373	399 [^]	409 [^]	561	783 [^]	842 [^]
78"	226	229	232	236	241	388	395	422 [^]	431	584	822 [^]	843 [^]
84"	237	240	243	247	252	409	416	443 [^]	452	605	823 [^]	844 [^]
90"	248	251	254	258	263	429	437	463 [^]	473	625	824	845 [^]
96"	259	262	265	269	273	450	457	484 [^]	493	646	825	846 [^]
108"	281	284	287	291	296	492	500	526	535	688	827	847 [^]
120"	305	309	312	315	320	537	544	570	579	732	1,077	1,151
132"	327	330	333	337	342	578	601	611	619	757	1,079	1,153
144"	349	352	355	359	363	620	642	653	661	799	1,081	1,154

[^]Spring-Assist Recommended

SW5000—Mesh. Railroading not recommended

CLOTH WIDTH	36"	42"	48"	54"	60"	74"	84"	98"
HEIGHT 36"	\$133 [^]	\$155 [^]	\$158 [^]	\$201 [^]	\$205 [^]	\$210 [^]	\$255 [^]	\$262 [^]
42"	142 [^]	166 [^]	169 [^]	217 [^]	222 [^]	227 [^]	276 [^]	283 [^]
48"	151 [^]	178 [^]	181 [^]	234 [^]	239 [^]	244 [^]	298 [^]	305 [^]
54"	160 [^]	189 [^]	192 [^]	251 [^]	255 [^]	260 [^]	319 [^]	346 [^]
60"	168 [^]	200 [^]	203 [^]	267 [^]	272 [^]	277 [^]	341 [^]	368 [^]
66"	177 [^]	211 [^]	215 [^]	284 [^]	288 [^]	293 [^]	363 [^]	390 [^]
72"	186 [^]	223 [^]	226 [^]	300 [^]	305 [^]	310 [^]	384 [^]	411 [^]
78"	196 [^]	236 [^]	239 [^]	319 [^]	323 [^]	328 [^]	408 [^]	434 [^]
84"	205 [^]	247 [^]	250 [^]	335 [^]	340 [^]	345 [^]	429 [^]	456 [^]
90"	214 [^]	258 [^]	261 [^]	352 [^]	356 [^]	361 [^]	451 [^]	478 [^]
96"	223 [^]	269 [^]	273 [^]	368 [^]	373 [^]	378 [^]	473 [^]	499 [^]
108"	241 [^]	293 [^]	296 [^]	402 [^]	407 [^]	411 [^]	517 [^]	543 [^]
120"	261 [^]	318 [^]	321 [^]	438 [^]	442 [^]	447 [^]	562 [^]	589 [^]
132"	278 [^]	340 [^]	343 [^]	471 [^]	475 [^]	480 [^]	621 [^]	632 [^]
144"	296 [^]	363 [^]	366 [^]	504 [^]	509 [^]	513 [^]	665 [^]	675 [^]

[^]Spring-Assist Recommended

Clutch FlexShade® Fabrics

Group 1: Mesh Fabrics—Use multiplier below to calculate price for specific fabric.

CLOTH WIDTH	31"	42"	48"	54"	63"	72"	84"	98"	108"	120"	132"	144"	
HEIGHT	36"	\$111	\$128 [^]	\$140 [^]	\$160 [^]	\$165 [^]	\$194 [^]	\$202 [^]	\$225 [^]	\$287 [^]	\$295 [^]	\$491 [^]	\$539 [^]
	42"	117	136 [^]	149 [^]	171 [^]	176 [^]	209 [^]	216 [^]	242 [^]	308 [^]	316 [^]	544 [^]	596 [^]
	48"	123	144 [^]	158 [^]	182 [^]	187 [^]	223 [^]	230 [^]	259 [^]	329 [^]	338 [^]	545 [^]	597 [^]
	54"	129	151 [^]	166 [^]	193 [^]	198 [^]	238 [^]	245 [^]	295 [^]	350 [^]	503 [^]	622 [^]	681 [^]
	60"	135	159 [^]	175 [^]	205 [^]	209 [^]	252 [^]	259 [^]	312 [^]	371 [^]	525 [^]	636 [^]	—
	66"	140	167 [^]	184 [^]	216 [^]	220 [^]	267 [^]	274 [^]	328 [^]	393 [^]	546 [^]	637 [^]	—
	72"	146	174 [^]	193 [^]	227 [^]	231 [^]	281 [^]	288 [^]	345 [^]	414 [^]	567 [^]	638 [*]	—
	78"	154	184 [^]	203 [^]	239 [^]	244 [^]	297 [^]	304 [^]	363 [^]	437 [^]	590 [^]	—	—
	84"	160	191 [^]	212 [^]	250 [^]	255 [^]	311 [^]	318 [^]	380 [^]	458 [^]	611 [^]	—	—
	90"	166	199 [^]	221 [^]	261 [^]	266 [^]	326 [^]	333 [^]	396 [^]	479 [^]	632 [^]	—	—
	96"	172	207 [^]	229 [^]	272 [^]	277 [^]	340 [^]	347 [^]	413 [^]	569 [^]	—	—	—
	108"	185	223 [^]	248 [^]	295 [^]	300 [^]	370 [^]	377 [^]	446 [^]	679 [^]	—	—	—
	120"	199	241 [^]	268 [^]	320 [^]	324 [^]	401 [^]	408 [^]	482 [^]	724 [^]	—	—	—
	132"	211	256 [^]	285 [^]	342 [^]	346 [^]	430 [^]	453 [^]	516 [^]	767 [*]	—	—	—
	144"	223	271 [^]	303 [^]	364 [^]	369 [^]	459 [^]	481 [^]	549 [^]	—	—	—	—

[^]Spring-Assist Recommended
*Spring Assist Included

Spring Assist and Large Hardware information above based on PW4400—may vary for some fabrics

Group 1: Fabric Multipliers

Fabric	Open-ness Factor	Multiply Above Prices by...	Fabric	Open-ness Factor	Multiply Above Prices by...
SW Infinity 2	1%	1.57	SW Infinity 2	5%	1.35
PW4800	1%	1.15	PW4500	5%	1.03
SW Infinity 2	3%	1.44	PW4550	5%	1.03
PW4600	3%	1.11	PW3500	5%	1.00
PW4650	3%	1.11	PW4100*	10%	0.97
PW4400	3%	1.07			

*Not available in 120" roll widths. Seaming information above is based on 120" roll goods.

Group 2: Mesh Fabrics—Use multiplier below to calculate price for specific fabric.

CLOTH WIDTH	31"	42"	48"	54"	63"	72"	84"	98"	108"	120"	132"	144"	
HEIGHT	36"	\$113	\$141 [^]	\$144 [^]	\$165 [^]	\$170 [^]	\$205 [^]	\$225 [^]	\$232 [^]	\$297 [^]	\$306 [^]	\$504 [^]	\$553 [^]
	42"	120	150 [^]	153 [^]	177 [^]	182 [^]	221 [^]	243 [^]	250 [^]	320 [^]	329 [^]	560 [^]	631 [^]
	48"	126	160 [^]	163 [^]	189 [^]	193 [^]	237 [^]	261 [^]	268 [^]	343 [^]	351 [^]	561 [^]	632 [^]
	54"	132	169 [^]	172 [^]	201 [^]	205 [^]	254 [^]	279 [^]	305 [^]	365 [^]	519 [^]	700 [^]	747 [^]
	60"	139	178 [^]	181 [^]	213 [^]	217 [^]	270 [^]	297 [^]	323 [^]	388 [^]	541 [^]	714 [^]	793 [^]
	66"	145	188 [^]	191 [^]	224 [^]	229 [^]	287 [^]	315 [^]	341 [^]	411 [^]	564 [^]	715 [^]	794 [^]
	72"	151	197 [^]	200 [^]	236 [^]	241 [^]	303 [^]	332 [^]	359 [^]	434 [^]	586 [^]	716 [^]	773 [^]
	78"	159	208 [^]	211 [^]	250 [^]	254 [^]	321 [^]	352 [^]	378 [^]	458 [^]	611 [^]	775 [^]	—
	84"	166	218 [^]	221 [^]	261 [^]	266 [^]	338 [^]	370 [^]	396 [^]	481 [^]	634 [^]	876 [*]	—
	90"	172	227 [^]	230 [^]	273 [^]	277 [^]	354 [^]	387 [^]	414 [^]	504 [^]	656 [^]	904 [*]	—
	96"	178	236 [^]	239 [^]	285 [^]	289 [^]	370 [^]	405 [^]	432 [^]	594 [^]	679 [^]	—	—
	108"	192	256 [^]	259 [^]	309 [^]	314 [^]	404 [^]	442 [^]	467 [^]	708 [^]	724 [^]	—	—
	120"	207	277 [^]	280 [^]	335 [^]	340 [^]	439 [^]	480 [^]	506 [^]	756 [^]	—	—	—
	132"	220	296 [^]	299 [^]	359 [^]	363 [^]	472 [^]	531 [^]	541 [^]	801 [^]	—	—	—
	144"	232	315 [^]	317 [^]	382 [^]	387 [^]	504 [^]	567 [^]	577 [^]	846 [^]	—	—	—

[^]Spring-Assist Recommended
*Spring Assist Included

Spring Assist and Large Hardware information above based on Suntex Design 10%—may vary for some fabrics

Group 2: Fabric Multipliers

Fabric	Open-ness Factor	Multiply Above Prices by...	Fabric	Open-ness Factor	Multiply Above Prices by...
SW2500PP*	1%	1.86	SW2705	5%	0.95
SW2500	1%	1.11	SW Basic	5%	0.87
SW2701	1%	1.05	Soltis 86*	8%	1.12
SW2400PP*	3%	1.76	Soltis 88*	8%	1.16
Soltis 92*	3%	1.26	SW2100*	10%	0.96
Soltis 99*	3%	0.99	SW2600*	10%	0.96
SW2400	3%	1.04	SW2710	10%	0.90
SW2703	3%	0.99	Suntex Design*	10%	0.89
SW Basic	3%	0.94	Suntex 90*	10%	0.81
SW2900 PP*	5%	1.67	SW3000*	14%	0.90
SW2000	5%	1.00	SW1000*	23%	0.77
SW2900	5%	1.00			

*Not available in 120" roll widths. Seaming information above is based on 120" roll goods.

Not all fabrics are available in every size: Contact Draper.

Clutch FlexShade® Fabrics

Headbox/Fascia Prices for Clutch FlexShades® (all fabrics)

CLOTH WIDTH	31"	36"	42"	45"	48"	54"	60"	63"	72"	84"	98"	108"	120"	132"	144"
3 7/8" Sm. Radius Fascia	\$32	\$34	\$36	\$37	\$38	\$40	\$43	\$44	\$47	\$51	\$57	\$64	\$68	\$73	\$78
3 7/8" Sm. Square Fascia	32	34	36	37	38	40	43	44	47	51	57	64	68	73	78
4 5/8" Lg. Radius Fascia	39	41	43	45	48	51	54	55	60	66	72	84	90	96	102
4 5/8" Lg. Square Fascia	39	41	43	45	48	51	54	55	60	66	72	84	90	96	102
3 15/16" Sm. Headbox	75	78	86	87	92	98	102	107	116	128	142	152	164	176	188
4 11/16" Lg. Headbox	90	99	105	112	114	122	135	135	148	165	184	199	215	232	249
Dual Roller with Fascia ¹	64	68	72	74	76	80	86	88	94	102	114	—	—	—	—

¹Some height restrictions apply to Dual Roller with Fascia. Contact Draper for details.

Sizes below black line require seams. — Sizes in green require large fascia/headbox. All others use small fascia/headbox.

Spring Assist is an optional upgrade on sizes that do not include it for an additional \$60.

For more details visit the Draper PRO Portal: Draperinc.com/DraperPro

Group 3: Mesh Fabrics—Use multiplier below to calculate price for specific fabric.

CLOTH WIDTH	38"	48"	60"	78"	84"	98"	108"	120"	132"	144"
HEIGHT 36"	\$122 [^]	\$135 [^]	\$157 [^]	\$183 [^]	\$209 [^]	\$216 [^]	\$270 [^]	\$278 [^]	\$477 [^]	\$523 [^]
42"	128 [^]	143 [^]	166 [^]	195 [^]	224 [^]	231 [^]	289 [^]	297 [^]	517 [^]	568 [^]
48"	135 [^]	152 [^]	176 [^]	208 [^]	240 [^]	247 [^]	308 [^]	316 [^]	518 [^]	569 [^]
54"	142 [^]	160 [^]	186 [^]	220 [^]	255 [^]	282 [^]	326 [^]	326 [^]	480 [^]	579 [^]
60"	148 [^]	168 [^]	196 [^]	233 [^]	270 [^]	297 [^]	345 [^]	499 [^]	593 [^]	636 [^]
66"	155 [^]	176 [^]	206 [^]	245 [^]	286 [^]	312 [^]	365 [^]	517 [^]	594 [^]	637 [^]
72"	162 [^]	184 [^]	216 [^]	258 [^]	301 [^]	328 [^]	384 [^]	536 [^]	660 [^]	687 [^]
78"	170 [^]	194 [^]	227 [^]	272 [^]	318 [^]	345 [^]	404 [^]	557 [^]	689 [^]	690 [^]
84"	177 [^]	202 [^]	237 [^]	285 [^]	333 [^]	360 [^]	423 [^]	576 [^]	690 [^]	—
90"	184 [^]	210 [^]	247 [^]	297 [^]	349 [^]	376 [^]	442 [^]	595 [^]	725 [^]	—
96"	190 [^]	218 [^]	257 [^]	310 [^]	364 [^]	391 [^]	529 [^]	614 [^]	726 [*]	—
108"	205 [^]	235 [^]	278 [^]	335 [^]	396 [^]	422 [^]	635 [^]	651 [^]	—	—
120"	221 [^]	254 [^]	300 [^]	363 [^]	429 [^]	455 [^]	676 [^]	692 [^]	—	—
132"	234 [^]	270 [^]	320 [^]	388 [^]	475 [^]	486 [^]	713 [^]	—	—	—
144"	247 [^]	287 [^]	340 [^]	413 [^]	505 [^]	517 [^]	751 [^]	—	—	—

[^]Spring-Assist Recommended

*Spring Assist Included

Spring Assist and Large Hardware information above based on Satine 5%—may vary for some fabrics

Group 3: Fabric Multipliers

Fabric	Openness Factor	Multiply Above Prices by...	Fabric	Openness Factor	Multiply Above Prices by...	Fabric	Openness Factor	Multiply Above Prices by...
E Screen	1%	1.13	E Screen	3%	1.05	M Screen	5%	1.08
Alkenz 3000/4000	1%	0.92	Alkenz 3000/4000	3%	0.91	E Screen	5%	1.00
E Screen/KoolBlack	3%	1.57	SilverScreen*	4%	2.04	Alkenz 3000/4000	5%	0.88
T Screen/KoolBlack	3%	1.34	E Screen/KoolBlack	5%	1.46	E Screen	10%	0.97
M Screen	3%	1.12	Satine*	5%	1.44	Vienne*	10%	0.97
T Screen*	3%	1.14	T Screen/KoolBlack	5%	1.25	Alkenz 3000/4000	10%	0.86
						Natte*	12%	1.33

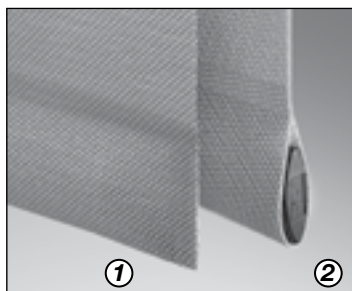
*Not available in 120" roll widths. Seaming information above is based on 120" roll goods.

Hem Options for Clutch FlexShade®

Standard Hem Bar Options— Please

specify preference at time of order.

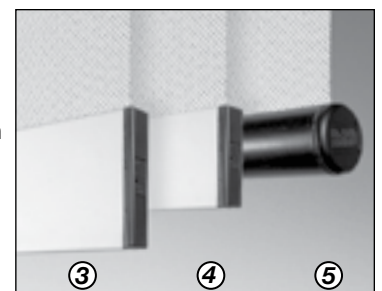
- 1" Elliptical slat inside of 1 5/8" heat-seamed pocket with heat sealed ends.
- 1" Elliptical slat inside of 1 5/8" heat-seamed pocket with open pocket ends. Plastic end caps on hem bar.



Exposed Hem Bar Options—

Please specify preference and color at time of order.

- Choose Type:**
- 1 1/2" x 5/16" Rectangular Hem Bar with Plastic end caps.—**\$1.50/lineal ft.**
 - 7/8" x 5/16" Rectangular Hem Bar with Plastic end caps—**\$1.00/lineal ft.**
 - 3/4" Round Hembar with Plastic end caps—**\$1.00/lineal ft.**



Choose Color:

Black, Bronze, Ivory, White, Clear Anodized

Clutch FlexShade® XD Premium manually operated window shades.

STANDARDS

- Heavy-Duty Clutch design
- Metal tube, with bead chain clutch operator on **right side (standard)** as seen from facing the window inside the room. Left side operator available. Chain tension device included.
- Spline attachment is standard. For a deduction, attachment to roller by adhesive is available upon request
- 1" Elliptical slat inside of 1½" heat-seamed pocket with heat sealed ends. Additional hem options available. See bottom of page 35 for details.
- Brackets for inside, outside or ceiling mounting. Wall brackets and plastic covers included at no charge. Some large Shades may require fabric stays at each panel seam at Draper's discretion. Call for details.

Operating Mechanism

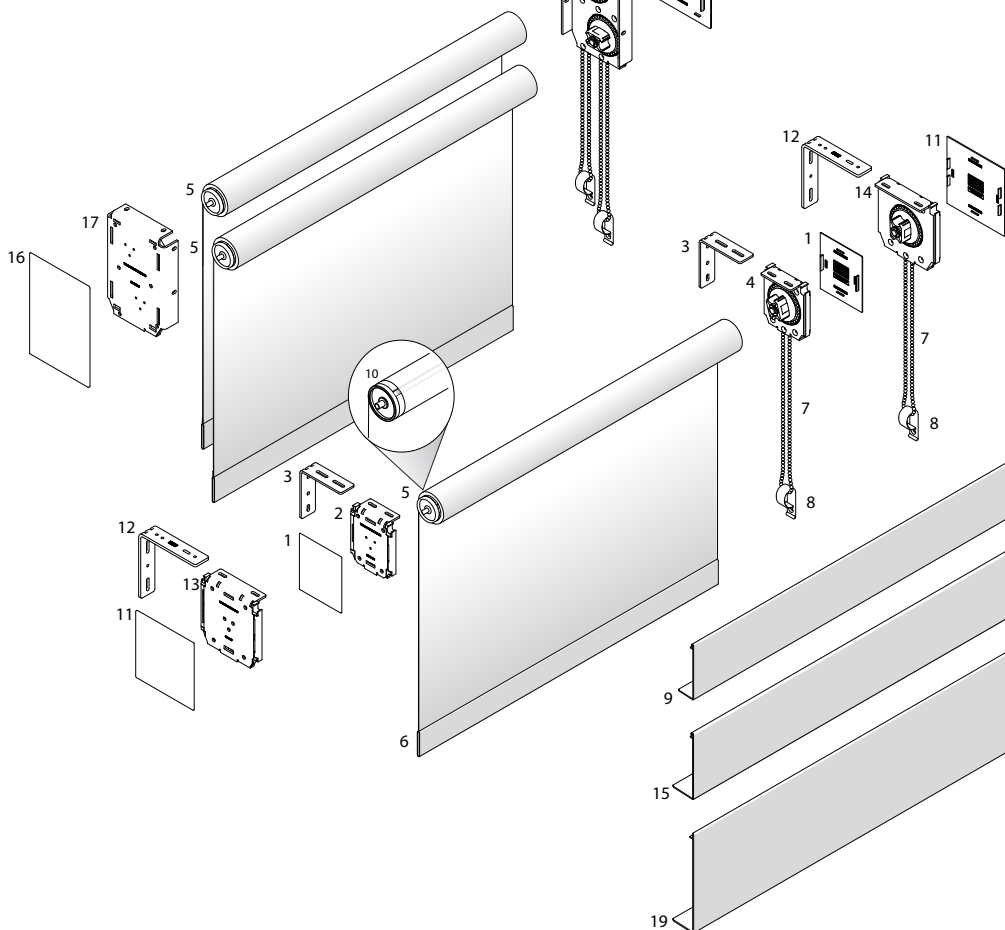
- Bead chain clutch standard (ivory, grey, black, white or brown polyester available at no extra charge). Fabric will be attached to roller by adhesive as standard. This may affect which shade sizes use small/large fascia or headbox.

ANSI/WCMA A100.1 Compliance:

- Recommended for installing where small children are present.
- Pre-installed Spring-Loaded Chain Tension Device (Owl Clip) with Bead Chain threaded through it. **Part No. C504.097**
- Approved permanent warning label is attached.
- Approved mechanical fasteners included.
- If the tension device is not installed properly, or becomes unattached from the mounting surface, the shade will be rendered partially inoperable. If installed properly, the tension device will also prevent the creation of a hazardous loop and will maintain tension on the bead chain. The tension device and label require tools to be removed. ANSI/WCMA compliance is an option that must be specified at time of order. **\$2.00 upcharge.**

Components:

1. Plastic End Cap Cover
2. End Cap
3. Wall Mounting Bracket
4. XD Clutch
5. Fixed Pin Idler End
6. Slat Bar—1½" Sealed Hem Pocket or optional hem. See page 35 for details.
7. Bead Chain
8. Bead Chain Hold Down
9. Aluminum Fascia Panel (square or radius)
10. Spline Fabric Attachment
11. Large Plastic End Cap Cover
12. Large Wall Mounting Bracket
13. Large End Cap
14. Large XD Clutch
15. Large Aluminum Fascia Panel (square or radius)
16. Dual Roller XD End Cap Cover
17. Dual Roller XD End Cap
18. Dual Roller XD Clutch
19. Dual Roller XD Aluminum Fascia Panel
20. Horizontal Dual Roller XD

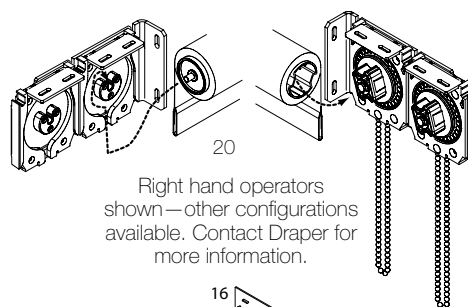


OPTIONS

- Horizontal Dual Roller: \$58.** Price as two Clutch FlexShade® XD Shades plus \$58, and add optional fascia if required. Only compatible with small fascia (radius or square). Steel plate reduces shade width by ⅛".
- Spring Lift Assist available on all sizes and included where marked with (*).
 - Optional fascia or headbox available in small, large and dual roller versions. Fabric wrapped fascia also available—Call for details.
 - Hardware finish choices are: clear anodized (standard), ivory, charcoal bronze, white and black available.
- Replacement clutches available in white (standard) or black. See table below for pricing.**

Part No.	Item	Price
C504.097	Spring-loaded Chain tension device—Inhibits operation until locking mechanism is depressed	\$4
--	Small Replacement Clutch	30
--	Large Replacement Clutch	40
--	Dual Replacement Clutch	80

Horizontal Dual Roller XD



Clutch FlexShade® XD Fabrics

Headbox/Fascia Prices for Clutch FlexShade® XD (all fabrics)

CLOTH WIDTH	31"	36"	42"	45"	48"	54"	60"	63"	72"	84"	98"	108"	120"	132"	144"
3 7/8" Sm. Radius Fascia	\$26	\$28	\$30	\$31	\$32	\$34	\$37	\$38	\$41	\$45	\$51	\$58	\$62	\$67	\$72
3 7/8" Sm. Square Fascia	26	28	30	31	32	34	37	38	41	45	51	58	62	67	72
4 5/8" Lg. Radius Fascia	32	34	36	38	41	44	47	48	53	59	65	77	83	89	95
4 5/8" Lg. Square Fascia	32	34	36	38	41	44	47	48	53	59	65	77	83	89	95
3 15/16" Sm. Headbox	69	72	80	81	86	92	96	101	110	122	136	146	158	170	182
4 11/16" Lg. Headbox	83	92	98	105	107	115	128	128	141	158	177	192	208	225	242
Dual Roller with Fascia ¹	52	56	60	62	64	68	74	76	82	90	102	—	—	—	—
Horizontal Dual Roller	See page 30 for details.														

¹Some height restrictions apply to Dual Roller with Fascia. Contact Draper for details.

Sizes below black line require seams. — Sizes in green require large fascia/headbox. All others use small fascia/headbox.

Spring Assist is an optional upgrade on sizes that do not include it for an additional \$60.
Please deduct \$23 per shade for tape fabric attachment instead of spline attachment.

SB9000/9100—(SB9100 sizes larger than 72" wide will have seams.)

CLOTH WIDTH	36"	45"	54"	63"	72"	84"	96"	108"	120"	132"	144"
HEIGHT 36"	\$148	\$167 [^]	\$171 [^]	\$178 [^]	\$189 [^]	\$234 [^]	\$244 [^]	\$300 [^]	\$337 [^]	\$350 [^]	\$463 [^]
42"	152	172	176 [^]	184 [^]	195 [^]	245 [^]	281 [^]	314 [^]	352 [^]	353 [^]	464 [^]
48"	155	177	181 [^]	190 [^]	201 [^]	256 [^]	293 [^]	339 [^]	366 [^]	367 [^]	499 [^]
54"	159	182	186 [^]	196 [^]	207 [^]	268 [^]	304 [^]	353 [^]	381 [^]	484 [^]	510 [^]
60"	163	187	192 [^]	201 [^]	214 [^]	279 [^]	316 [^]	368 [^]	395 [^]	492 [^]	515 [^]
66"	166	193	197 [^]	207 [^]	220 [^]	290 [^]	328 [^]	382 [^]	410 [^]	581 [^]	620 [^]
72"	170	198	202	213 [^]	226 [^]	302 [^]	339 [^]	397 [^]	424 [^]	582 [^]	621 [^]
78"	175	205	209	221 [^]	234 [^]	325 [^]	353 [^]	413 [^]	440 [^]	592 [^]	632 [^]
84"	179	210	214	226 [^]	240 [^]	336 [^]	364 [^]	427 [^]	455 [^]	593 [^]	633 [^]
90"	182	215	219	232 [^]	246 [^]	347 [^]	376 [^]	442 [^]	469 [^]	676 [^]	703 [^]
96"	186	220	224	238 [^]	253 [^]	359 [^]	388 [^]	456 [^]	484 [^]	694 [^]	704 [^]
108"	193	231	235	250 [^]	265 [^]	381 [^]	421 [^]	502 [^]	513 [^]	696 [^]	706 [^]
120"	203	244	248	264 [^]	280 [^]	428 [^]	447 [^]	534 [^]	544 [^]	1,051 [*]	1,122 [*]
132"	210	254	258	276 [^]	293 [^]	451 [^]	470 [^]	563 [^]	573 [^]	1,053 [*]	1,292 [*]
144"	227	264	269	287 [^]	305 [^]	474 [^]	494 [^]	592 [^]	678 [^]	1,210 [*]	1,293 [*]

[^]Spring-Assist Recommended

*Spring Assist Included

Roc-Rol—Opaque

CLOTH WIDTH	36"	42"	48"	55"	59"	72"	84"	96"	108"	118"	132"	144"
HEIGHT 36"	\$182	\$186	\$243 [^]	\$247 [^]	\$250 [^]	\$257 [^]	\$265 [^]	\$412 [^]	\$477 [^]	\$544 [^]	\$586 [^]	\$717 [^]
42"	191	194	259 [^]	263 [^]	265 [^]	273 [^]	280 [^]	438 [^]	478 [^]	545 [^]	587 [^]	718 [^]
48"	199	202	274 [^]	278 [^]	281 [^]	288 [^]	296 [^]	439 [^]	489 [^]	546 [^]	588 [^]	737 [^]
54"	207	211	290 [^]	294 [^]	296 [^]	304 [^]	312 [^]	440 [^]	490 [^]	547 [^]	589 [^]	738 [^]
60"	215	219	305 [^]	310 [^]	312 [^]	320 [^]	327 [^]	441 [^]	491 [^]	548 [^]	590 [^]	739 [^]
66"	224	227	321 [^]	325 [^]	328 [^]	335 [^]	343 [^]	442 [^]	492 [^]	549 [^]	676 [^]	740 [^]
72"	232	235	337 [^]	341 [^]	343 [^]	351 [^]	358 [^]	443 [^]	493 [^]	550 [^]	677 [^]	741 [^]
78"	242	245	354 [^]	358 [^]	360 [^]	368 [^]	386 [^]	642 [^]	709 [^]	782 [^]	927 [^]	987 [*]
84"	250	254	370 [^]	374 [^]	376 [^]	384 [^]	401 [^]	643 [^]	710 [^]	783 [^]	928 [^]	988 [*]
90"	258	262	385 [^]	389 [^]	392 [^]	399 [^]	417 [^]	644 [^]	711 [^]	784 [^]	947 [^]	989 [*]
96"	267	270	401 [^]	405 [^]	407 [^]	415 [^]	432 [^]	645 [^]	712 [^]	785 [^]	978 [^]	990 [*]
108"	283	287	432 [^]	436 [^]	438 [^]	446 [^]	464 [^]	657 [^]	732 [^]	786 [^]	980 [^]	992 [*]
120"	302	306	466 [^]	470 [^]	472 [^]	480 [^]	519 [^]	784 [^]	875 [^]	944 [^]	1,104 [*]	1,179 [*]
132"	319	322	497 [^]	501 [^]	504 [^]	511 [^]	550 [^]	786 [^]	876 [^]	945 [^]	1,105 [*]	1,180 [*]
144"	345	528	528 [^]	532 [^]	535 [^]	542 [^]	581 [^]	788 [^]	878 [^]	1,024 [*]	1,107 [*]	1,182 [*]

[^]Spring-Assist Recommended

*Spring Assist Included

Avila Twilight—Opaque.

CLOTH WIDTH	36"	42"	48"	55"	59"	72"	84"	96"	108"	118"	132"	144"
HEIGHT 36"	\$225	\$228 [^]	\$232 [^]	\$236 [^]	\$236 [^]	\$342 [^]	\$350 [^]	\$357 [^]	\$392 [^]	\$430 [^]	\$552 [^]	\$683 [^]
42"	239	242	246 [^]	250 [^]	250 [^]	369 [^]	377 [^]	409 [^]	419 [^]	458 [^]	553 [^]	684 [^]
48"	253	256	260 [^]	264 [^]	265 [^]	397 [^]	404 [^]	436 [^]	456 [^]	485 [^]	554 [^]	703 [^]
54"	267	270	274 [^]	278 [^]	279 [^]	424 [^]	431 [^]	463 [^]	483 [^]	512 [^]	855 [^]	1,030 [^]
60"	281	284	288	292 [^]	293 [^]	451 [^]	459 [^]	491 [^]	511 [^]	539 [^]	856 [^]	1,031 [^]
66"	295	299	302	306 [^]	307 [^]	478 [^]	486 [^]	518 [^]	538 [^]	566 [^]	943 [^]	1,032 [^]
72"	309	313	316	320 [^]	321 [^]	505 [^]	513 [^]	545 [^]	565 [^]	593 [^]	944 [^]	1,033 [^]
78"	325	328	332	336 [^]	336 [^]	534 [^]	552 [^]	574 [^]	594 [^]	622 [^]	946 [^]	1,034 [^]
84"	339	342	346	350 [^]	350 [^]	561 [^]	579 [^]	601 [^]	621 [^]	650 [^]	947 [^]	1,035 [^]
90"	353	356	360	364 [^]	364 [^]	589 [^]	606 [^]	628 [^]	648 [^]	677 [^]	967 [^]	1,036 [^]
96"	367	370	374	378 [^]	379 [^]	616 [^]	633 [^]	655 [^]	675 [^]	704 [^]	968 [^]	1,037 [^]
108"	395	399	402	406 [^]	407 [^]	670 [^]	688 [^]	720 [^]	748 [^]	758 [^]	969 [^]	1,038 [^]
120"	426	429	433	437 [^]	437 [^]	727 [^]	766 [^]	777 [^]	805 [^]	816 [^]	1,333 [*]	1,428 [*]
132"	454	457	461	465 [^]	465 [^]	782 [^]	820 [^]	831 [^]	860 [^]	870 [^]	1,334 [*]	1,429 [*]
144"	492	493	494	495 [^]	496 [^]	836 [^]	874 [^]	885 [^]	914 [^]	1,001 [^]	1,336 [*]	1,430 [*]

[^]Spring-Assist Recommended

*Spring Assist Included

Clutch FlexShade® XD Fabrics

Headbox/Fascia Prices for Clutch FlexShade® XD (all fabrics)

CLOTH WIDTH	31"	36"	42"	45"	48"	54"	60"	63"	72"	84"	98"	108"	120"	132"	144"
3 7/8" Sm. Radius Fascia	\$26	\$28	\$30	\$31	\$32	\$34	\$37	\$38	\$41	\$45	\$51	\$58	\$62	\$67	\$72
3 7/8" Sm. Square Fascia	26	28	30	31	32	34	37	38	41	45	51	58	62	67	72
4 5/8" Lg. Radius Fascia	32	34	36	38	41	44	47	48	53	59	65	77	83	89	95
4 5/8" Lg. Square Fascia	32	34	36	38	41	44	47	48	53	59	65	77	83	89	95
3 15/16" Sm. Headbox	69	72	80	81	86	92	96	101	110	122	136	146	158	170	182
4 11/16" Lg. Headbox	83	92	98	105	107	115	128	128	141	158	177	192	208	225	242
Dual Roller with Fascia ¹	52	56	60	62	64	68	74	76	82	90	102	—	—	—	—
Horizontal Dual Roller	See page 30 for details.														

¹Some height restrictions apply to Dual Roller with Fascia. Contact Draper for details.

Sizes below black line require seams. — Sizes in green require large fascia/headbox. All others use small fascia/headbox.

Spring Assist is an optional upgrade on sizes that do not include it for an additional \$60.

Please deduct \$23 per shade for tape fabric attachment instead of spline attachment.

Flocké—Opaque. For 1% open Vizela fabric, multiply price below by .75.

CLOTH WIDTH	36"	42"	47"	54"	60"	72"	84"	94"	108"	120"	132"	144"
36"	\$296	\$299 [^]	\$303 [^]	\$474 [^]	\$477 [^]	\$484 [^]	\$492 [^]	\$500 [^]	\$631 [^]	\$773 [^]	\$774 [^]	\$924 [^]
42"	320	323 [^]	326 [^]	521 [^]	523 [^]	531 [^]	539 [^]	572 [^]	1,062 [^]	1,295 [^]	1,296 [^]	1,492 [^]
48"	344	347 [^]	350 [^]	568 [^]	570 [^]	578 [^]	585 [^]	618 [^]	1,072 [^]	1,296 [^]	1,297 [^]	1,511 [^]
54"	367	371 [^]	374 [^]	614 [^]	616 [^]	624 [^]	632 [^]	665 [^]	1,073 [^]	1,297 [^]	1,298 [^]	1,512 [^]
60"	391	394	398 [^]	661 [^]	663 [^]	671 [^]	678 [^]	711 [^]	1,074 [^]	1,298 [^]	1,299 [^]	1,513 [^]
66"	415	418	422 [^]	707 [^]	710 [^]	717 [^]	725 [^]	758 [^]	1,075 [^]	1,376 [^]	1,385 [^]	1,514 [^]
72"	438	442	445 [^]	754 [^]	756 [^]	764 [^]	771 [^]	805 [^]	1,076 [^]	1,672 [^]	1,672 [^]	1,673 [^]
78"	464	467	471 [^]	802 [^]	805 [^]	812 [^]	830 [^]	853 [^]	1,079 [^]	1,673 [^]	1,674 [^]	1,675 [^]
84"	488	491	494 [^]	849 [^]	851 [^]	859 [^]	876 [^]	900 [^]	1,080 [^]	1,674 [^]	1,675 [*]	1,676 [*]
90"	511	515	518 [^]	895 [^]	898 [^]	905 [^]	923 [^]	946 [^]	1,586 [^]	1,991 [^]	2,008 [*]	2,143 [*]
96"	535	539	542 [^]	942 [^]	944 [^]	952 [^]	969 [^]	993 [^]	1,587 [^]	2,131 [^]	2,132 [*]	2,144 [*]
108"	583	586	589 [^]	1,035 [^]	1,037 [^]	1,045 [^]	1,062 [^]	1,096 [^]	1,607 [^]	2,502 [^]	2,514 [*]	2,713 [*]
120"	633	636	640 [^]	1,131 [^]	1,133 [^]	1,141 [^]	1,180 [^]	1,191 [^]	2,042 [^]	2,506 [^]	2,518 [*]	2,717 [*]
132"	680	684	687 [^]	1,224 [^]	1,226 [^]	1,234 [^]	1,273 [^]	1,285 [^]	2,044 [^]	2,508 [*]	2,520 [*]	2,719 [*]
144"	738	739	740 [^]	1,317 [^]	1,320 [^]	1,327 [^]	1,366 [^]	1,378 [^]	2,045 [^]	2,510 [*]	2,522 [*]	3,288 [*]

[^]Spring-Assist Recommended

^{*}Spring Assist Included

SW7000—Opaque.

CLOTH WIDTH	36"	42"	47"	54"	59"	72"	84"	94"	108"	118"	132"	144"
36"	\$233	\$236 [^]	\$266 [^]	\$271 [^]	\$271 [^]	\$359 [^]	\$366 [^]	\$427 [^]	\$463 [^]	\$500 [^]	\$661 [^]	\$801 [^]
42"	248	252	285 [^]	290 [^]	290 [^]	388 [^]	396 [^]	489 [^]	500 [^]	537 [^]	662 [^]	802 [^]
48"	264	267	304 [^]	308 [^]	309 [^]	418 [^]	425 [^]	526 [^]	546 [^]	574 [^]	663 [^]	803 [^]
54"	279	282	323 [^]	327 [^]	328 [^]	447 [^]	454 [^]	563 [^]	583 [^]	611 [^]	906 [^]	1,071 [^]
60"	294	297	342	346 [^]	347 [^]	476 [^]	484 [^]	600 [^]	620 [^]	647 [^]	907 [^]	1,072 [^]
66"	309	312	361	365 [^]	365 [^]	506 [^]	513 [^]	636 [^]	657 [^]	684 [^]	994 [^]	1,073 [^]
72"	324	327	379	384 [^]	384 [^]	535 [^]	543 [^]	673 [^]	693 [^]	721 [^]	995 [^]	1,074 [^]
78"	341	344	400	404 [^]	405 [^]	566 [^]	584 [^]	711 [^]	732 [^]	759 [^]	997 [^]	1,075 [^]
84"	356	360	419	423 [^]	423 [^]	596 [^]	613 [^]	748 [^]	768 [^]	796 [^]	998 [^]	1,076 [^]
90"	371	375	437	442 [^]	442 [^]	625 [^]	643 [^]	785 [^]	805 [^]	833 [^]	1,184 [^]	1,256 [^]
96"	387	390	456	460 [^]	461 [^]	655 [^]	672 [^]	821 [^]	842 [^]	869 [^]	1,247 [^]	1,257 [^]
108"	417	420	494	498 [^]	499 [^]	713 [^]	731 [^]	905 [^]	932 [^]	943 [^]	1,248 [*]	1,258 [*]
120"	450	453	534	538 [^]	539 [^]	775 [^]	814 [^]	981 [^]	1,008 [^]	1,019 [^]	1,659 [*]	1,782 [*]
132"	480	484	572	576 [^]	576 [^]	834 [^]	873 [^]	1,054 [^]	1,082 [^]	1,092 [^]	2,069 [*]	2,229 [*]
144"	520	521	609	614 [^]	614 [^]	893 [^]	931 [^]	1,127 [^]	1,155 [^]	1,242 [^]	2,071 [*]	2,230 [*]

[^]Spring-Assist Recommended

^{*}Spring Assist Included

SW7100—Opaque. When railroaded, SW7100 will have battens. Contact Draper for details.

CLOTH WIDTH	36"	42"	48"	54"	60"	72"	84"	96"	108"	120"	132"	144"
36"	\$245	\$248 [^]	\$252 [^]	\$256 [^]	\$258 [^]	\$266 [^]	\$316 [^]	\$324 [^]	\$462 [^]	\$529 [^]	\$570 [^]	\$702 [^]
42"	262	265 [^]	268 [^]	273 [^]	275 [^]	283 [^]	339 [^]	372 [^]	463 [^]	530 [^]	571 [^]	703 [^]
48"	279	282 [^]	285 [^]	289 [^]	292 [^]	300 [^]	361 [^]	394 [^]	474 [^]	531 [^]	572 [^]	722 [^]
54"	295	299 [^]	302 [^]	306 [^]	309 [^]	316 [^]	384 [^]	417 [^]	512 [^]	573 [^]	618 [^]	772 [^]
60"	312	315 [^]	319 [^]	323 [^]	325 [^]	333 [^]	406 [^]	440 [^]	513 [^]	574 [^]	619 [^]	773 [^]
66"	329	332 [^]	336 [^]	340 [^]	342 [^]	350 [^]	429 [^]	462 [^]	523 [^]	623 [^]	696 [^]	899 [^]
72"	346	349 [^]	352 [^]	357 [^]	359 [^]	367 [^]	452 [^]	485 [^]	524 [^]	624 [^]	697 [^]	900 [*]
78"	364	368 [^]	371 [^]	375 [^]	377 [^]	385 [^]	486 [^]	509 [^]	627 [^]	700 [^]	841 [*]	903 [*]
84"	381	384 [^]	388 [^]	392 [^]	394 [^]	402 [^]	508 [^]	532 [^]	628 [^]	701 [^]	842 [*]	904 [*]
90"	398	401 [^]	404 [^]	409 [^]	411 [^]	419 [^]	531 [^]	554 [^]	629 [^]	702 [^]	843 [*]	905 [*]
96"	415	418 [^]	421 [^]	425 [^]	428 [^]	435 [^]	553 [^]	577 [^]	630 [^]	703 [^]	844 [*]	906 [*]
108"	448	451 [^]	455 [^]	459 [^]	461 [^]	469 [^]	599 [^]	632 [^]	1,134 [^]	1,231 [*]	1,419 [*]	1,522 [*]
120"	484	488 [^]	491 [^]	495 [^]	498 [^]	505 [^]	668 [^]	680 [^]	1,138 [*]	1,235 [*]	1,423 [*]	1,526 [*]
132"	518	521 [^]	525 [^]	529 [^]	531 [^]	539 [^]	713 [^]	725 [^]	1,140 [*]	1,237 [*]	1,425 [*]	1,797 [*]
144"	561	562 [^]	563 [^]	564 [^]	565 [^]	572 [^]	758 [^]	770 [^]	1,346 [*]	1,541 [*]	1,674 [*]	—

[^]Spring-Assist Recommended

^{*}Spring Assist Included

Clutch FlexShade® XD Fabrics

Sizes below black line require seams. — Sizes in green require large fascia/headbox. All others use small fascia/headbox.

Spring Assist is an optional upgrade on sizes that do not include it for an additional \$60.
Please deduct \$23 per shade for tape fabric attachment instead of spline attachment.

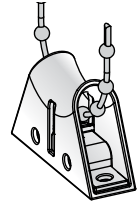
SW7500—Opaque.

CLOTH WIDTH	39"	49"	59"	78"	84"	98"	108"	118"	132"	144"
HEIGHT 36"	\$187	\$190 [^]	\$206 [^]	\$241 [^]	\$266 [^]	\$274 [^]	\$330 [^]	\$368 [^]	\$420 [^]	\$539 [^]
42"	195	199 [^]	216 [^]	253 [^]	282 [^]	315 [^]	349 [^]	387 [^]	456 [^]	577 [^]
48"	204	207	226 [^]	266 [^]	297 [^]	330 [^]	378 [^]	405 [^]	457 [^]	667 [^]
54"	212	215	235 [^]	278 [^]	313 [^]	346 [^]	396 [^]	424 [^]	523 [^]	668 [^]
60"	220	223	245 [^]	291 [^]	329 [^]	362 [^]	415 [^]	442 [^]	524 [^]	669 [^]
66"	228	232	255 [^]	304 [^]	344 [^]	377 [^]	434 [^]	461 [^]	610 [^]	670 [^]
72"	237	240	265 [^]	316 [^]	360 [^]	393 [^]	452 [^]	480 [^]	679 [^]	727 [^]
78"	247	250	276 [^]	331 [^]	387 [^]	410 [^]	472 [^]	500 [^]	682 [^]	730 [^]
84"	255	258	286 [^]	343 [^]	403 [^]	426 [^]	491 [^]	519 [^]	683 [^]	731 [^]
90"	263	266	296 [^]	356 [^]	418 [^]	441 [^]	510 [^]	537 [^]	771 [^]	807 [^]
96"	271	275	305 [^]	368 [^]	434 [^]	457 [^]	528 [^]	556 [^]	797 [^]	808 [^]
108"	288	291	325 [^]	394 [^]	465 [^]	498 [^]	583 [^]	593 [^]	799 [^]	809 [^]
120"	307	311	347 [^]	422 [^]	521 [^]	532 [^]	623 [^]	633 [^]	1,039 [*]	1,109 [*]
132"	324	327	367 [^]	447 [^]	552 [^]	563 [^]	660 [^]	670 [^]	1,041 [*]	1,330 [*]
144"	340	344	386 [^]	482 [^]	583 [^]	595 [^]	697 [^]	784 [^]	1,245 [*]	1,331 [*]

[^]Spring-Assist Recommended

*Spring Assist Included

Spring-loaded Chain Tension Device (Owl Clip)*



*For areas where small children are likely to be present. Inhibits operation until mounted and locking mechanism is depressed.

Part No. C504.097

Upgrade \$2.00

Replacement 4.00

GreenScreen® Evolve—Prices below are for 1% openness.

Use multiplier below to calculate price for other openness factors.

CLOTH WIDTH	36"	42"	48"	54"	59"	72"	84"	94"	108"	118"	132"	144"
HEIGHT 36"	\$207	\$217	\$220	\$224	\$225	\$319 [^]	\$326 [^]	\$334 [^]	\$368 [^]	\$407 [^]	\$515 [^]	\$643 [^]
42"	219	229	232	237	237	343 [^]	350 [^]	382 [^]	392 [^]	431 [^]	516 [^]	644 [^]
48"	231	241	245	249	250	367	374 [^]	406 [^]	426 [^]	455 [^]	517 [^]	663 [^]
54"	243	254	257	261	262	391	398 [^]	430 [^]	450 [^]	479 [^]	782 [^]	951 [^]
60"	255	266	270	274	274	415	422 [^]	454 [^]	474 [^]	503 [^]	783 [^]	952 [^]
66"	267	279	282	286	287	439	446 [^]	478 [^]	498 [^]	527 [^]	869 [^]	953 [^]
72"	279	291	295	299	299	463	470	502 [^]	522 [^]	551	870 [^]	954 [^]
78"	292	305	309	313	313	488	506	528 [^]	548	577	873 [^]	955 [^]
84"	304	318	321	325	326	512	530	552 [^]	572	601	874 [^]	956 [^]
90"	316	330	334	338	338	536	554	576 [^]	596	624	904	957 [^]
96"	328	343	346	350	351	560	578	600 [^]	620	649	905	958 [^]
108"	352	368	371	375	376	608	626	658	686	696	907	959 [^]
120"	378	395	399	403	403	659	697	708	737	747	1,223	1,308
132"	402	420	423	428	428	707	745	756	785	795	1,225	1,310
144"	434	445	448	452	453	755	793	804	833	920	1,227	1,311

[^]Spring-Assist Recommended

GreenScreen® Evolve: Fabric Multipliers

Fabric	Open-ness Factor	Multiply Above Prices by...
GreenScreen® Evolve	3%	0.97
GreenScreen® Evolve	5%	0.95
GreenScreen® Evolve	10%	0.92

GreenScreen® Revive—Prices below are for 1% openness. For 5% open fabric, multiply price below by .95.

CLOTH WIDTH	36"	42"	48"	54"	59"	72"	84"	94"	108"	118"	132"	144"
HEIGHT 36"	\$199	\$205	\$208	\$212	\$213	\$295 [^]	\$303 [^]	\$310 [^]	\$346 [^]	\$384 [^]	\$479 [^]	\$603 [^]
42"	210	216	219	223	224	316 [^]	323 [^]	356 [^]	367 [^]	404 [^]	480 [^]	604 [^]
48"	221	226	230	234	235	337	344 [^]	377 [^]	398 [^]	425 [^]	481 [^]	623 [^]
54"	232	237	241	245	245	357	365 [^]	398 [^]	418 [^]	446 [^]	708 [^]	871 [^]
60"	243	248	251	256	256	378	386 [^]	419 [^]	439 [^]	467 [^]	709 [^]	873 [^]
66"	253	259	262	266	267	399	407 [^]	440 [^]	460 [^]	487 [^]	796 [^]	874 [^]
72"	264	270	273	277	278	420	427	460 [^]	481 [^]	508	797 [^]	875 [^]
78"	277	282	286	290	290	442	460	483 [^]	503	531	800 [^]	876 [^]
84"	288	293	296	301	301	463	480	503 [^]	524	551	801 [^]	877 [^]
90"	298	304	307	311	312	484	501	524 [^]	544	572	850	878 [^]
96"	309	315	318	322	323	504	522	545 [^]	565	593	851	879 [^]
108"	331	336	340	344	345	546	563	596	624	634	852	880 [^]
120"	355	361	364	368	369	590	629	640	668	679	1,113	1,188
132"	377	382	386	390	390	632	670	682	710	720	1,114	1,190
144"	403	404	407	412	412	673	712	723	751	838	1,116	1,191

[^]Spring-Assist Recommended

There is a \$30 charge to railroad (transverse) and/or seam shade fabric when not required by roll width limitations (for example to match other seamed Shades). Not all fabrics can be railroaded. For more information, contact Draper.

Clutch FlexShade® XD Fabrics

Headbox/Fascia Prices for Clutch FlexShade® XD (all fabrics)

CLOTH WIDTH	31"	36"	42"	45"	48"	54"	60"	63"	72"	84"	98"	108"	120"	132"	144"
3 7/8" Sm. Radius Fascia	\$26	\$28	\$30	\$31	\$32	\$34	\$37	\$38	\$41	\$45	\$51	\$58	\$62	\$67	\$72
3 7/8" Sm. Square Fascia	26	28	30	31	32	34	37	38	41	45	51	58	62	67	72
4 5/8" Lg. Radius Fascia	32	34	36	38	41	44	47	48	53	59	65	77	83	89	95
4 5/8" Lg. Square Fascia	32	34	36	38	41	44	47	48	53	59	65	77	83	89	95
3 15/16" Sm. Headbox	69	72	80	81	86	92	96	101	110	122	136	146	158	170	182
4 11/16" Lg. Headbox	83	92	98	105	107	115	128	128	141	158	177	192	208	225	242
Dual Roller with Fascia ¹	52	56	60	62	64	68	74	76	82	90	102	—	—	—	—
Horizontal Dual Roller	See page 30 for details.														

¹Some height restrictions apply to Dual Roller with Fascia. Contact Draper for details.

Sizes below black line require seams. — Sizes in green require large fascia/headbox. All others use small fascia/headbox.

Spring Assist is an optional upgrade on sizes that do not include it for an additional \$60.

Please deduct \$23 per shade for tape fabric attachment instead of spline attachment.

SW5000—Mesh. Railroading not recommended

CLOTH WIDTH	36"	42"	48"	54"	60"	74"	84"	98"
36"	\$186	\$208 [^]	\$211 [^]	\$254 [^]	\$257 [^]	\$264 [^]	\$309 [^]	\$317 [^]
42"	195	219 [^]	223 [^]	271 [^]	273 [^]	281 [^]	331 [^]	364 [^]
48"	203	230 [^]	234 [^]	287 [^]	290 [^]	297 [^]	352 [^]	385 [^]
54"	212	242 [^]	245 [^]	304 [^]	306 [^]	314 [^]	374 [^]	407 [^]
60"	221	253 [^]	256 [^]	321 [^]	323 [^]	331 [^]	396 [^]	429 [^]
66"	230	264 [^]	268 [^]	337 [^]	340 [^]	347 [^]	417 [^]	450 [^]
72"	238	276 [^]	279 [^]	354 [^]	356 [^]	364 [^]	439 [^]	472 [^]
78"	249	288 [^]	292 [^]	372 [^]	374 [^]	382 [^]	472 [^]	495 [^]
84"	258	300 [^]	303 [^]	388 [^]	391 [^]	399 [^]	494 [^]	517 [^]
90"	266	311 [^]	314 [^]	405 [^]	407 [^]	415 [^]	515 [^]	538 [^]
96"	275	322 [^]	326 [^]	422 [^]	424 [^]	432 [^]	537 [^]	560 [^]
108"	293	345 [^]	348 [^]	455 [^]	457 [^]	465 [^]	580 [^]	613 [^]
120"	313	370 [^]	373 [^]	491 [^]	493 [^]	501 [^]	648 [^]	659 [^]
132"	330	393 [^]	396 [^]	524 [^]	526 [^]	534 [^]	691 [^]	702 [^]
144"	358	415 [^]	419 [^]	557 [^]	559 [^]	567 [^]	734 [^]	746 [^]

[^]Spring-Assist Recommended

[^]Spring Assist Included

Group 1: Fabric Multipliers

Fabric	Open-ness Factor	Multiply Below Prices by...
SW Infinity 2	1%	1.53
PW4800	1%	1.14
SW Infinity 2	3%	1.41
PW4600	3%	1.10
PW4650	3%	1.10
PW4400	3%	1.07
SW Infinity 2	5%	1.33
PW4500	5%	1.03
PW4550	5%	1.03
PW3500	5%	1.00
PW4100*	10%	0.97

*Not available in 120" roll widths. Seaming information above is based on 120" roll goods.

Group 1: Mesh Fabrics—Use multiplier below to calculate price for specific fabric.

CLOTH WIDTH	31"	42"	48"	54"	63"	72"	84"	98"	108"	120"	132"	144"
36"	\$163	\$181 [^]	\$193 [^]	\$214 [^]	\$216 [^]	\$240 [^]	\$256 [^]	\$280 [^]	\$349 [^]	\$387 [^]	\$432 [^]	\$552 [^]
42"	169	189 [^]	202 [^]	225 [^]	227 [^]	254 [^]	270 [^]	321 [^]	370 [^]	408 [^]	485 [^]	609 [^]
48"	175	197 [^]	211 [^]	236 [^]	238 [^]	268 [^]	285 [^]	338 [^]	401 [^]	429 [^]	486 [^]	628 [^]
54"	181	204 [^]	219 [^]	247 [^]	249 [^]	282 [^]	299 [^]	355 [^]	422 [^]	450 [^]	563 [^]	713 [^]
60"	187	212 [^]	228 [^]	258 [^]	260 [^]	296 [^]	314 [^]	371 [^]	444 [^]	471 [^]	564 [*]	714 [*]
66"	193	220 [^]	237 [^]	269 [^]	271 [^]	309 [^]	328 [^]	388 [^]	465 [^]	492 [^]	651 [*]	715 [*]
72"	199	227 [^]	246 [^]	280 [^]	282 [^]	323 [^]	342 [^]	405 [^]	486 [^]	514 [^]	652 [*]	718 [*]
78"	206	237 [^]	256 [^]	293 [^]	295 [^]	338 [^]	368 [^]	423 [^]	509 [^]	536 [^]	706 [*]	756 [*]
84"	212	244 [^]	265 [^]	304 [^]	306 [^]	352 [^]	383 [^]	440 [^]	530 [^]	558 [^]	707 [*]	757 [*]
90"	218	252 [^]	274 [^]	315 [^]	317 [^]	366 [^]	397 [^]	456 [^]	551 [^]	579 [^]	829 [*]	870 [*]
96"	224	260 [^]	283 [^]	326 [^]	328 [^]	380 [^]	412 [^]	473 [^]	572 [^]	600 [^]	861 [*]	871 [*]
108"	236	275 [^]	300 [^]	348 [^]	350 [^]	407 [^]	440 [^]	516 [^]	632 [*]	642 [*]	862 [*]	872 [*]
120"	251	293 [^]	320 [^]	373 [^]	375 [^]	437 [^]	493 [^]	552 [^]	677 [*]	687 [*]	1,126 [*]	1,203 [*]
132"	263	308 [^]	338 [^]	395 [^]	397 [^]	465 [^]	522 [^]	585 [^]	719 [*]	—	—	—
144"	275	324 [^]	356 [^]	417 [^]	419 [^]	495 [^]	551 [^]	619 [^]	—	—	—	—

[^]Spring-Assist Recommended

[^]Spring Assist Included

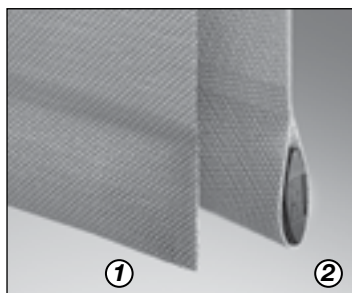
Spring Assist and Large Hardware above based on PW4400—may vary for some fabrics

Hem Options for Clutch FlexShade® XD

Standard Hem Bar Options—

Please specify preference at time of order.

- 1" Elliptical slot inside of 1 5/8" heat-seamed pocket with heat sealed ends.
- 1" Elliptical slot inside of 1 5/8" heat-seamed pocket with open pocket ends. Plastic end caps on hem bar.



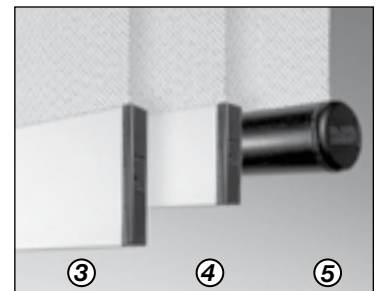
Exposed Hem Bar Options

Choose Type:

- 1 1/2" x 5/16" Rectangular Hem Bar with Plastic end caps.—**\$1.50/lineal ft.**
- 7/8" x 5/16" Rectangular Hem Bar with Plastic end caps—**\$1.00/lineal ft.**
- 3/4" Round Hembar with Plastic end caps—**\$1.00/lineal ft.** 1 1/2" x 5/16"

Choose Color:

Black, Bronze, Ivory, White, Clear Anodized



Clutch FlexShade® XD Fabrics

Group 2: Mesh Fabrics—Use multiplier below to calculate price for specific fabric.

CLOTH WIDTH	31"	42"	48"	54"	63"	72"	84"	98"	108"	120"	132"	144"
HEIGHT												
36"	\$165	\$194 [^]	\$197 [^]	\$219 [^]	\$221 [^]	\$259 [^]	\$281 [^]	\$289 [^]	\$360 [^]	\$397 [^]	\$445 [^]	\$566 [^]
42"	172	203 [^]	207 [^]	231 [^]	233 [^]	276 [^]	299 [^]	331 [^]	383 [^]	420 [^]	501 [^]	644 [^]
48"	178	213 [^]	216 [^]	243 [^]	245 [^]	292 [^]	317 [^]	349 [^]	415 [^]	443 [^]	502 [^]	663 [^]
54"	184	222 [^]	225 [^]	254 [^]	257 [^]	308 [^]	334 [^]	366 [^]	438 [^]	465 [^]	641 [^]	664 [^]
60"	191	231 [^]	235 [^]	266 [^]	269 [^]	325 [^]	352 [^]	384 [^]	460 [^]	488 [^]	642 [^]	805 [^]
66"	197	241 [^]	244 [^]	278 [^]	280 [^]	342 [^]	370 [^]	402 [^]	483 [^]	511 [^]	728 [^]	806 [^] *
72"	204	250 [^]	253 [^]	290 [^]	292 [^]	358 [^]	388 [^]	420 [^]	506 [^]	533 [^]	729 [^]	807 [^] *
78"	212	261 [^]	264 [^]	303 [^]	306 [^]	376 [^]	417 [^]	439 [^]	530 [^]	558 [^]	732 [^] *	810 [^] *
84"	218	270 [^]	274 [^]	315 [^]	317 [^]	393 [^]	435 [^]	457 [^]	553 [^]	580 [^]	733 [^] *	811 [^] *
90"	224	280 [^]	283 [^]	327 [^]	329 [^]	409 [^]	453 [^]	475 [^]	575 [^]	603 [^]	863 [^] *	939 [^] *
96"	231	289 [^]	293 [^]	339 [^]	341 [^]	426 [^]	471 [^]	493 [^]	598 [^]	625 [^]	930 [^] *	940 [^] *
108"	243	308 [^]	311 [^]	362 [^]	364 [^]	459 [^]	506 [^]	538 [^]	660 [^]	671 [^]	932 [^] *	942 [^] *
120"	259	329 [^]	333 [^]	388 [^]	391 [^]	495 [^]	565 [^]	577 [^]	708 [^]	—	—	—
132"	271	348 [^]	351 [^]	412 [^]	414 [^]	528 [^]	601 [^]	612 [^]	754 [^] *	—	—	—
144"	284	367 [^]	370 [^]	435 [^]	438 [^]	563 [^]	637 [^]	648 [^]	799 [^] *	—	—	—

[^]Spring-Assist Recommended

*Spring Assist Included

Spring Assist and Large Hardware above based on Suntex Design 10%—may vary for some fabrics)

Group 2: Fabric Multipliers

Fabric	Open-ness Factor	Multiply Above Prices by...	Fabric	Open-ness Factor	Multiply Above Prices by...
SW2500PP*	1%	1.81	SW2705	5%	0.95
SW2500	1%	1.10	SW Basic	5%	0.88
SW2701	1%	1.05	Soltis 86*	8%	1.12
SW2400PP*	3%	1.71	Soltis 88*	8%	1.15
Soltis 92*	3%	1.24	SW2100*	10%	0.96
Soltis 99*	3%	1.00	SW2600*	10%	0.96
SW2400	3%	1.04	SW2710	10%	0.90
SW2703	3%	0.99	Suntex Design*	10%	0.90
SW Basic	3%	0.94	Suntex 90*	10%	0.82
SW2900 PP*	5%	1.64	SW3000*	14%	0.91
SW2000	5%	1.00	SW1000*	23%	0.79
SW2900	5%	1.00			

*Not available in 120" roll widths. Seaming information above is based on 120" roll goods.

Group 3: Mesh Fabrics—Use multiplier below to calculate price for specific fabric.

CLOTH WIDTH	38"	48"	60"	78"	84"	98"	108"	120"	132"	144"
HEIGHT										
36"	\$173	\$188 [^]	\$206 [^]	\$238 [^]	\$263 [^]	\$271 [^]	\$332 [^]	\$370 [^]	\$418 [^]	\$536 [^]
42"	179	196 [^]	216 [^]	250 [^]	279 [^]	311 [^]	351 [^]	389 [^]	459 [^]	580 [^]
48"	186	205 [^]	226 [^]	263 [^]	294 [^]	326 [^]	380 [^]	408 [^]	460 [^]	600 [^]
54"	193	213 [^]	236 [^]	275 [^]	309 [^]	341 [^]	399 [^]	426 [^]	520 [^]	666 [^]
60"	200	221 [^]	246 [^]	288 [^]	325 [^]	357 [^]	418 [^]	445 [^]	521 [^]	667 [^]
66"	206	229 [^]	255 [^]	300 [^]	340 [^]	372 [^]	437 [^]	464 [^]	608 [^]	668 [^]
72"	213	237 [^]	265 [^]	313 [^]	355 [^]	387 [^]	455 [^]	483 [^]	674 [^]	721 [^] *
78"	221	247 [^]	277 [^]	327 [^]	382 [^]	405 [^]	476 [^]	504 [^]	677 [^]	724 [^] *
84"	228	255 [^]	287 [^]	340 [^]	398 [^]	420 [^]	495 [^]	523 [^]	678 [^] *	725 [^] *
90"	235	263 [^]	297 [^]	352 [^]	413 [^]	435 [^]	514 [^]	541 [^]	777 [^] *	813 [^] *
96"	242	271 [^]	307 [^]	365 [^]	429 [^]	451 [^]	533 [^]	560 [^]	804 [^] *	814 [^] *
108"	255	288 [^]	326 [^]	390 [^]	459 [^]	491 [^]	588 [^]	598 [^]	806 [^] *	816 [^] *
120"	271	307 [^]	349 [^]	417 [^]	514 [^]	525 [^]	628 [^]	638 [^] *	1,048 [^] *	1,118 [^] *
132"	284	323 [^]	368 [^]	442 [^]	544 [^]	555 [^]	666 [^] *	676 [^] *	1,050 [^] *	1,343 [^] *
144"	299	339 [^]	388 [^]	477 [^]	575 [^]	586 [^]	703 [^] *	790 [^] *	1,257 [^] *	1,344 [^] *

[^]Spring-Assist Recommended

*Spring Assist Included

Spring Assist and Large Hardware above based on Satine 5%—may vary for some fabrics

Group 3: Fabric Multipliers

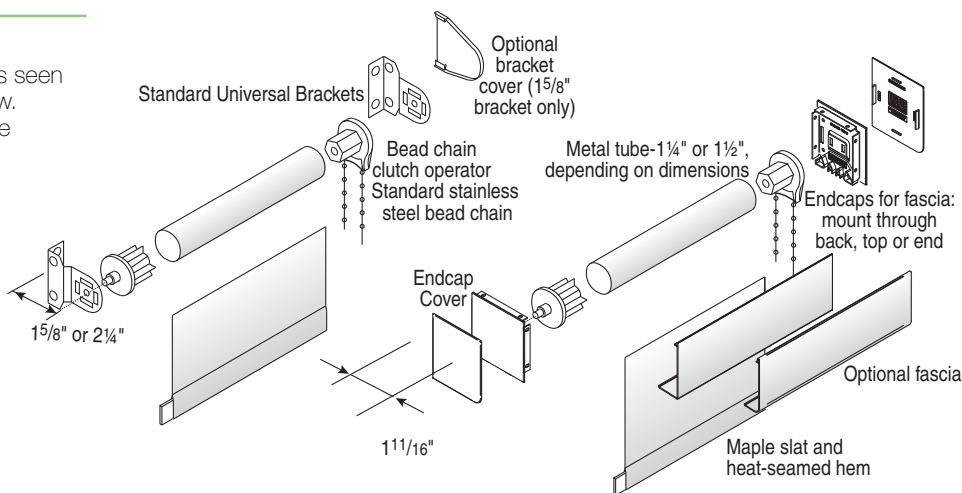
Fabric	Openness Factor	Multiply Above Prices by...	Fabric	Openness Factor	Multiply Above Prices by...	Fabric	Openness Factor	Multiply Above Prices by...
E Screen	1%	1.12	E Screen	3%	1.05	M Screen	5%	1.07
Alkenz 3000/4000	1%	0.92	Alkenz 3000/4000	3%	0.91	E Screen	5%	1.00
E Screen/KoolBlack	3%	1.54	SilverScreen*	4%	1.99	Alkenz 3000/4000	5%	0.89
T Screen/KoolBlack	3%	1.32	E Screen/KoolBlack	5%	1.43	E Screen	10%	0.97
M Screen	3%	1.12	Satine*	5%	1.42	Vienne*	10%	0.97
T Screen*	3%	1.14	T Screen/KoolBlack	5%	1.24	Alkenz 3000/4000	10%	0.87
						Natte*	12%	1.31

*Not available in 120" roll widths. Seaming information above is based on 120" roll goods.

Techmatic Shade Affordable, light-duty manually operated window shades.

STANDARDS

- Aluminum tube, with bead chain clutch operator and on right side, standard, as seen from inside the room, facing the window. Chain tension device included. Left side operator available.
- 1" Elliptical maple slat inside of 1 5/8" heat-seamed pocket with heat sealed ends. Additional hem options available. See bottom of page 39 for details.
- 1 5/8" universal brackets for inside, outside or ceiling mounting.
- Stainless steel bead chain clutch operation.



Techmatic Shade size limitations:

- Tube/roller diameter limit of 1 1/4"
- Clutch limit of 10 lbs
- No railroading (transversing)
- No seams

Techmatic Shades are limited to the published sizes and fabrics. No variations are allowed. Any variations will be quoted as Clutch FlexShades®.

ANSI/WCMA A100.1 Compliance:

- Recommended for installing where small children are present.
- Pre-installed Spring-Loaded Chain Tension Device (Owl Clip) with Bead Chain threaded through it. **Part No. C504.097**
- Approved permanent warning label is attached.
- Approved mechanical fasteners included.
- If the tension device is not installed properly, or becomes unattached from the mounting surface, the shade will be rendered partially inoperable. If installed properly, the tension device will also prevent the creation of a hazardous loop and will maintain tension on the bead chain. The tension device and label require tools to be removed. ANSI/WCMA compliance is an option that must be specified at time of order. **\$2.00 upcharge.**

OPTIONS

- 1" Aluminum Slat available at no extra charge by request.
- Stainless steel bead chain is standard. Polyester bead chain (ivory, grey, black, white or brown) available at no extra charge.
- Clutches available in white (standard) or black.
- 2 1/4" Universal brackets (optional).
- Spring-loaded Chain tension device (see page 30)
- Bracket covers
- Optional fascia or headbox with end caps available. Fabric wrapped fascia also available—Call for details.
- Hardware finish choices are: Clear anodized (standard), ivory, charcoal bronze, white, and black available.

Part No.	Item	Price
C504.043	Replacement Chain tension device	\$2
C504.097	Spring-loaded Chain tension device— <i>Inhibits operation until locking mechanism is depressed</i>	\$4
C126.077	Bracket Covers (white)—for 1 5/8" universal brackets	4/pair

Headbox/Fascia Prices for Techmatic FlexShades® (all fabrics)

CLOTH WIDTH	31"	36"	42"	45"	48"	54"	60"	63"	72"
3 7/8" Sm. Radius Fascia	\$32	\$34	\$36	\$37	\$38	\$40	\$43	\$44	\$47
3 7/8" Sm. Square Fascia	32	34	36	37	38	40	43	44	47
3 15/16" Sm. Headbox	75	78	86	87	92	98	102	107	116

For larger sizes, see Clutch FlexShades® beginning on page 28.

SB9000/SB9100—Opaque.

CLOTH WIDTH	36"	45"	54"	63"	72"
HEIGHT 36"	\$64	\$71	\$77	\$81	\$89
42"	67	75	81	86	94
48"	69	78	84	90	99
54"	71	82	88	94	104
60"	74	85	92	98	108
66"	76	89	96	103	113
72"	79	93	100	107	118
78"	83	97	105	112	124
84"	85	101	109	116	128
90"	88	104	113	121	—
96"	91	108	116	125	—
108"	96	115	124	134	—
120"	103	123	134	144	—
132"	108	130	141	152	—
144"	113	138	149	161	—

Roc-Rol—Opaque.

CLOTH WIDTH	36"	42"	48"	55"	59"	72"
HEIGHT 36"	\$99	\$101	\$143	\$146	\$149	\$153
42"	106	108	156	159	161	165
48"	113	115	168	172	174	178
54"	119	121	181	184	186	189
60"	126	128	194	197	199	—
66"	133	135	206	209	211	—
72"	139	141	219	222	224	—
78"	147	149	233	236	238	—
84"	154	156	245	248	250	—
90"	161	163	258	261	263	—
96"	167	169	270	273	275	—
108"	181	183	295	298	300	—
120"	196	198	322	326	336	—
132"	209	211	348	351	361	—
144"	223	225	373	376	386	—

Technomatic Shade Fabrics

Avila Twilight—Opaque.

CLOTH WIDTH	36"	42"	48"	55"	59"	72"
HEIGHT 36"	\$132	\$134	\$135	\$138	\$140	\$218
42"	143	145	146	149	151	240
48"	154	156	157	160	163	261
54"	166	168	169	172	174	281
60"	177	179	180	183	185	300
66"	188	190	191	194	196	319
72"	200	202	202	206	208	—
78"	212	214	215	218	220	—
84"	224	225	226	230	232	—
90"	235	237	238	241	243	—
96"	246	248	249	252	254	—
108"	269	271	272	275	277	—
120"	293	295	296	299	300	—
132"	316	318	319	322	323	—
144"	339	341	342	345	346	—

SW7000—Opaque.

CLOTH WIDTH	36"	42"	47"	54"	59"	72"
HEIGHT 36"	\$138	\$140	\$161	\$231	\$232	\$234
42"	150	152	176	255	257	258
48"	162	164	192	280	281	283
54"	175	177	207	304	306	307
60"	187	189	222	329	330	332
66"	199	201	237	353	354	356
72"	211	213	252	377	379	381
78"	225	227	268	403	405	406
84"	237	239	284	428	429	431
90"	249	251	299	452	454	455
96"	261	263	314	477	478	480
108"	286	288	344	525	527	—
120"	312	314	376	576	578	—
132"	337	339	407	625	627	—
144"	361	363	437	674	676	—

SW7500—Opaque.

CLOTH WIDTH	39"	49"	59"	72"
HEIGHT 36"	\$111	\$123	\$156	\$163
42"	117	131	168	176
48"	124	139	180	188
54"	130	147	193	—
60"	137	155	205	—
66"	144	163	217	—
72"	150	171	229	—
78"	158	180	243	—
84"	165	188	255	—
90"	171	196	267	—
96"	178	204	279	—
108"	191	220	304	—
120"	207	239	—	—
132"	220	255	—	—
144"	233	271	—	—

SW5000—Mesh.

CLOTH WIDTH	36"	42"	48"	54"	60"	72"
HEIGHT 36"	\$146	\$148	\$149	\$152	\$154	\$158
42"	159	161	162	165	167	172
48"	173	174	175	178	181	185
54"	186	188	189	192	194	—
60"	199	201	202	205	207	—
66"	212	214	215	218	221	—
72"	226	228	229	232	234	—
78"	240	242	243	246	249	—
84"	254	256	257	260	262	—
90"	267	269	270	273	275	—
96"	280	282	283	286	288	—
108"	307	309	310	313	315	—
120"	336	338	339	342	—	—
132"	362	364	365	368	—	—
144"	389	391	392	—	—	—

Flocké—Opaque.

For 1% open Vizela fabric, multiply price below by .75.

CLOTH WIDTH	36"	42"	47"	54"	60"	72"
HEIGHT 36"	\$182	\$183	\$185	\$305	\$307	\$313
42"	200	201	203	340	342	348
48"	217	219	221	375	378	384
54"	235	237	239	411	413	—
60"	253	255	257	446	448	—
66"	271	273	275	482	484	—
72"	289	291	293	517	519	—
78"	309	310	312	554	556	—
84"	326	328	330	589	591	—
90"	344	346	348	625	627	—
96"	362	364	366	660	662	—
108"	398	400	402	731	733	—
120"	436	438	440	804	—	—

SW7100—Opaque.

CLOTH WIDTH	36"	42"	48"	54"	60"
HEIGHT 36"	\$147	\$149	\$150	\$153	\$155
42"	161	163	164	167	169
48"	174	176	177	180	182
54"	188	190	190	194	196
60"	201	203	204	207	—
66"	215	216	217	221	—
72"	228	230	231	234	—
78"	243	245	246	249	—
84"	256	258	259	262	—
90"	270	272	273	276	—
96"	283	285	286	289	—
108"	310	312	313	316	—
120"	339	341	342	345	—

GreenScreen® Revive—Mesh. Prices below are for

1% openness. For 5% open fabric, multiply price below by .95.

CLOTH WIDTH	36"	42"	48"	54"	59"	72"
HEIGHT 36"	\$112	\$114	\$127	\$129	\$131	\$186
42"	121	123	137	139	141	203
48"	130	132	147	149	151	221
54"	138	140	157	159	161	238
60"	147	149	167	169	171	255
66"	156	158	177	179	180	273
72"	165	166	186	189	190	—
78"	175	177	198	200	202	—
84"	183	185	208	210	212	—
90"	192	194	218	220	222	—
96"	201	203	228	230	232	—
108"	218	220	247	250	251	—
120"	238	240	269	272	273	—
132"	255	257	289	292	293	—
144"	273	274	309	311	313	—

GreenScreen® Evolve—Prices below are for 1%

openness. Use multiplier below to calculate price for other openness factors.

CLOTH WIDTH	36"	42"	48"	54"	59"	72"
HEIGHT 36"	\$118	\$120	\$140	\$142	\$144	\$205
42"	128	130	151	153	155	223
48"	138	139	162	164	166	243
54"	147	149	173	175	177	262
60"	157	159	184	186	188	281
66"	166	168	195	197	198	300
72"	176	178	205	208	209	—
78"	187	189	218	220	222	—
84"	196	198	229	231	233	—
90"	206	208	240	242	244	—
96"	216	218	251	253	255	—
108"	235	237	272	275	276	—
120"	256	258	296	299	300	—
132"	275	277	318	321	322	—
144"	294	296	340	342	344	—

GreenScreen® Evolve: Fabric Multipliers

Fabric	Openness Factor	Multiply Above Prices by...
GreenScreen® Evolve	3%	0.97
GreenScreen® Evolve	5%	0.95
GreenScreen® Evolve	10%	0.92

Techmatic Shade Fabrics

Group 1: Mesh Fabrics

CLOTH WIDTH	31"	42"	48"	54"	63"	72"
HEIGHT 36"	\$75	\$99	\$107	\$123	\$124	\$146
42"	79	106	115	132	134	158
48"	83	112	122	141	143	169
54"	91	118	129	150	152	—
60"	96	125	137	159	161	—
66"	100	131	144	168	170	—
72"	105	138	151	178	180	—
78"	110	145	160	188	190	—
84"	115	152	167	197	199	—
90"	119	158	175	207	208	—
96"	123	164	182	216	218	—
108"	132	177	197	234	236	—
120"	161	192	213	254	—	—
132"	171	205	228	273	—	—
144"	181	218	243	298	—	—

Group 2: Mesh Fabrics

CLOTH WIDTH	31"	42"	48"	54"	63"	72"
HEIGHT 36"	\$91	\$107	\$112	\$127	\$130	\$165
42"	96	114	119	137	140	180
48"	101	121	127	146	149	194
54"	106	129	135	156	159	—
60"	112	136	143	166	169	—
66"	117	144	151	176	179	—
72"	122	151	158	185	189	—
78"	129	160	168	196	200	—
84"	134	167	175	206	210	—
90"	139	175	183	216	219	—
96"	145	182	191	226	229	—
108"	155	197	207	245	249	—
120"	168	214	224	266	—	—
132"	179	228	240	286	—	—
144"	189	243	256	311	—	—

Group 1: Fabric Multipliers

Fabric	Open-ness Factor	Multiply Above Prices by...
SW Infinity 2	1%	1.57
PW4800	1%	1.15
SW Infinity 2	3%	1.44
PW4600	3%	1.11
PW4650	3%	1.11
PW4400	3%	1.07
SW Infinity 2	5%	1.35
PW4500	5%	1.03
PW4550	5%	1.03
PW3500	5%	1.00
PW4100*	10%	0.97

Group 2: Fabric Multipliers

Fabric	Open-ness Factor	Multiply Above Prices by...	Fabric	Open-ness Factor	Multiply Above Prices by...
SW2500PP*	1%	1.86	SW2705	5%	0.95
SW2500	1%	1.11	SW Basic	5%	0.87
SW2701	1%	1.05	Soltis 86*	8%	1.12
SW2400PP*	3%	1.76	Soltis 88*	8%	1.16
Soltis 92*	3%	1.26	SW2100*	10%	0.96
Soltis 99*	3%	0.99	SW2600*	10%	0.96
SW2400	3%	1.04	SW2710	10%	0.90
SW2703	3%	0.99	Suntex Design*	10%	0.89
SW Basic	3%	0.94	Suntex 90*	10%	0.81
SW2900 PP*	5%	1.67	SW3000*	14%	0.90
SW2000	5%	1.00	SW1000*	23%	0.77
SW2900	5%	1.00			

Group 3: Fabric Multipliers

Fabric	Open-ness Factor	Multiply Prices by...
E Screen	1%	1.13
Alkenz 3000/4000	1%	0.92
E Screen/KoolBlack	3%	1.57
T Screen/KoolBlack	3%	1.34
M Screen	3%	1.12
T Screen*	3%	1.14
E Screen	3%	1.05
Alkenz 3000/4000	3%	0.91
SilverScreen*	4%	2.04

*Not available in 120" roll widths. Seaming information above is based on 120" roll goods.

Fabric	Open-ness Factor	Multiply Prices by...
E Screen/KoolBlack	5%	1.46
Satine*	5%	1.44
T Screen/KoolBlack	5%	1.25
M Screen	5%	1.08
E Screen	5%	1.00
Alkenz 3000/4000	5%	0.88
E Screen	10%	0.97
Vienne*	10%	0.97
Alkenz 3000/4000	10%	0.86
Natte*	12%	1.33

*Not available in 120" roll widths. Seaming information above is based on 120" roll goods.

Group 3: Mesh Fabrics

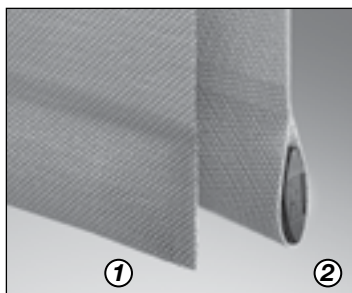
CLOTH WIDTH	38"	48"	60"	72"
HEIGHT 36"	\$94	\$104	\$119	\$139
42"	100	111	128	150
48"	105	118	136	160
54"	111	125	145	—
60"	117	131	153	—
66"	122	138	161	—
72"	128	145	170	—
78"	135	154	179	—
84"	141	160	188	—
90"	146	167	196	—
96"	152	174	204	—
108"	163	188	221	—
120"	177	204	240	—
132"	188	218	265	—
144"	200	231	282	—

Hem Options for Techmatic

Standard Hem Bar Options— Please

specify preference at time of order.

- 1" Elliptical maple slat inside of 1 5/8" heat-seamed pocket with heat sealed ends.
- 1" Elliptical maple slat inside of 1 5/8" heat-seamed pocket with open pocket ends. Plastic end caps on hem bar.



Exposed Hem Bar Options—

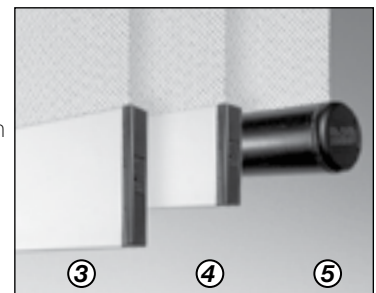
Please specify preference and color at time of order.

Choose Type:

- 1 1/2" x 5/16" Rectangular Hem Bar with Plastic end caps.—**\$1.50/lineal ft.**
- 7/8" x 5/16" Rectangular Hem Bar with Plastic end caps.—**\$1.00/lineal ft.**
- 3/4" Round Hembar with Plastic end caps.—**\$1.00/lineal ft.**

Choose Color:

Black, Bronze, Ivory, White, Clear Anodized



Spring Roller Shades Medium-duty roller operated window shades.

MEASURING/ORDERING INSTRUCTIONS

Width

- For brackets, overall outside measurement exceeds cloth width by $1\frac{3}{8}$ ". For fascia with end caps, overall outside measurement exceeds cloth width by $1\frac{1}{2}$ ".

Inside Mounting

- Exact inside width of window opening.

Outside Mounting

- Opening plus cloth lap on each side. Tell us either cloth width or tip-to-tip width.

Finished Length

- Height of opening + 6" for cloth wrap at bottom = finished length.

When ordering, please state the following:

- Style of shade (i.e. Spring Roller – Single Roller Style).
- Quantity.
- Name and color of fabric.
- Width, either inside or cloth measure, or overall tip-to-tip measure. For replacement fabric, use cloth measure of existing fabric.
- Finished length of shade. Draper adds 6" to the height.
- What type of brackets are required, inside, outside or ceiling.
- Order forms available online at: www.draperinc.com/ShadeOrder.

Fabric Attachment

- Spring Roller Shade fabrics are attached to roller with adhesive as standard, have a heat-seamed hem, a maple slat, and a single-turned bottom hem.

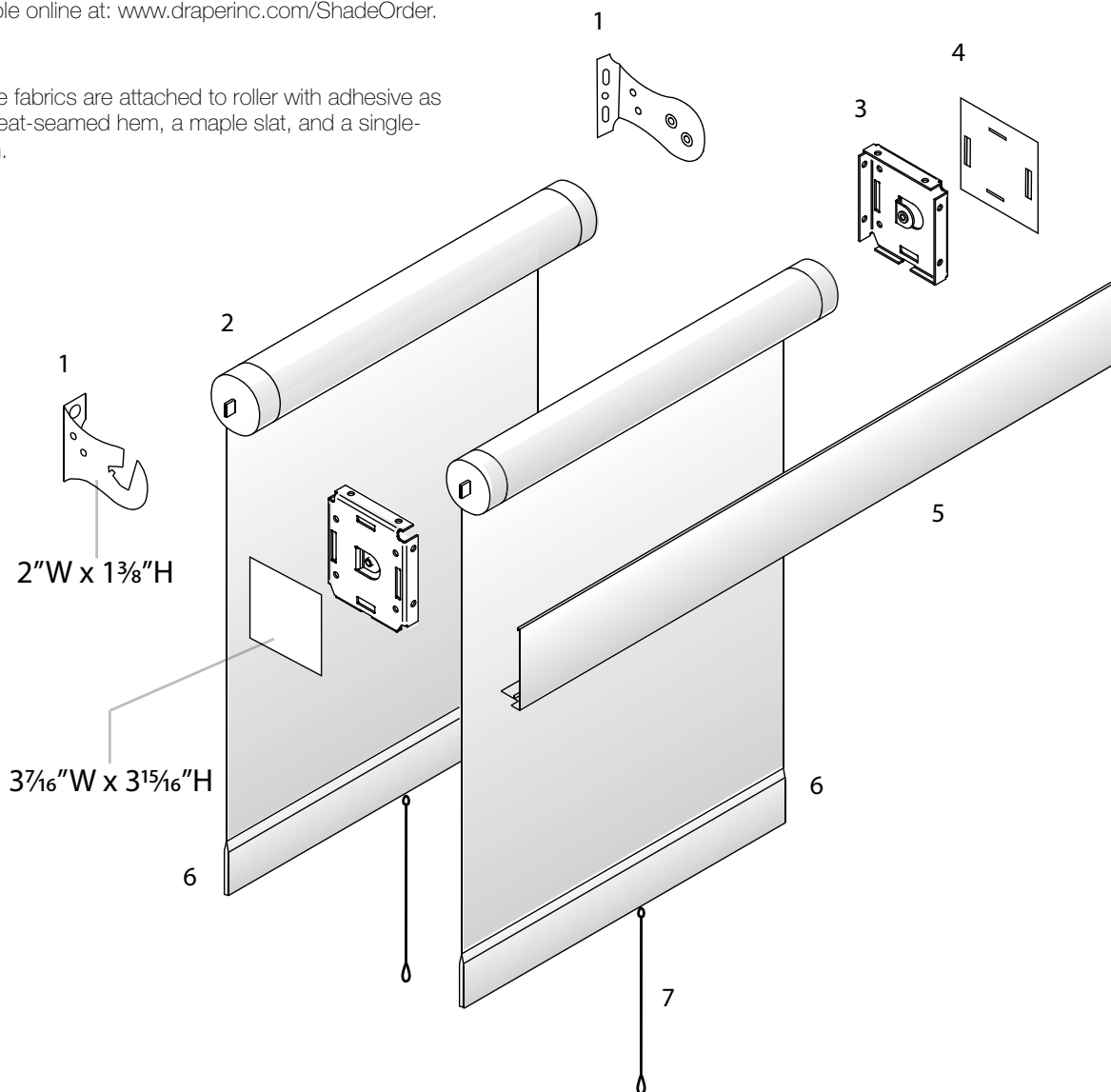
OPTIONS

- Add \$6.00 for locking pulley at sill.
- Add \$7.00 if shade roller is to mount at bottom of window with locking pulley and pulley bracket at top: Transom Style.
- Deduct 50¢ per pair for omission of roller brackets.
- Add \$30.00 for sewn hem option.
- Optional fascia or headbox with end caps available. Fabric wrapped fascia also available—Call for details.
- Hardware finish choices are: Clear anodized (standard), ivory, charcoal bronze, white, and black available. Price includes end caps in lieu of brackets.

Components:

1. Universal Wall/Ceiling Bracket
2. Spring Operator
3. Optional Fascia End Cap
4. Optional Fascia End Cap Cover
5. Optional Fascia*
6. Kiln-dried Maple Slat $2''\text{W} \times 1\frac{3}{8}''\text{H}$
7. Pull Cord

*Optional Fascia includes end caps: Mount through back, top or end. $3\frac{3}{8}''\text{H} \times 3\frac{7}{16}''\text{d}$ or $4\frac{5}{8}''\text{H} \times 4\frac{5}{8}''\text{d}$.



Spring Roller Shade Fabrics

Headbox/Fascia Prices for Spring Roller FlexShades® (all fabrics)

CLOTH WIDTH	31"	36"	42"	45"	48"	54"	60"	63"	72"	84"	98"	108"	120"	132"	144"
3⁷/₈" Sm. Radius Fascia	\$32	\$34	\$36	\$37	\$38	\$40	\$43	\$44	\$47	\$51	\$57	\$64	\$68	\$73	\$78
3⁷/₈" Sm. Square Fascia	32	34	36	37	38	40	43	44	47	51	57	64	68	73	78
4⁵/₈" Lg. Radius Fascia	39	41	43	45	48	51	54	55	60	66	72	84	90	96	102
4⁵/₈" Lg. Square Fascia	39	41	43	45	48	51	54	55	60	66	72	84	90	96	102
3¹⁵/₁₆" Sm. Headbox	75	78	86	87	92	98	102	107	116	128	142	152	164	176	188
4¹¹/₁₆" Lg. Headbox	90	99	105	112	114	122	135	135	148	165	184	199	215	232	249

Sizes below black line require seams. — Sizes in green require large fascia/headbox. All others use small fascia/headbox.

SB9000/9100—(SB9100 sizes larger than 72" wide will have seams.)

CLOTH WIDTH	36"	45"	54"	63"	72"	84"	96"	108"	120"	132"	144"
Roller Diameter			1¹/₄"			1¹/₂"		1³/₄"		2¹/₄"	
36"	\$66	\$73	\$81	\$90	\$97	\$144	\$160	\$241	\$259	\$444	\$467
42"	67	75	84	94	101	152	169	252	270	459	484
48"	69	78	87	97	105	160	177	264	282	460	485
54"	71	81	90	101	109	168	186	275	293	468	494
60"	73	84	93	105	113	176	194	286	304	469	495
66"	75	86	96	108	117	184	203	297	315	554	585
72"	77	89	99	112	121	192	211	309	327	555	586
78"	80	93	104	117	126	201	221	333	340	556	587
84"	82	96	107	120	130	209	230	344	351	557	588
90"	84	99	110	124	134	218	238	355	363	558	589
96"	86	102	113	128	137	226	247	367	374	559	590
108"	90	107	119	135	145	242	273	389	397	618	654
120"	96	115	128	144	164	260	293	414	520	620	656
132"	—	—	142	160	171	276	310	530	543	621	657
144"	—	—	149	168	179	301	327	553	565	703	745

Roc-Rol—Opaque

CLOTH WIDTH	36"	42"	48"	55"	59"	72"	84"	96"	110"	118"	132"	144"
Roller Diameter			1¹/₄"			1¹/₂"		1³/₄"		2¹/₄"		
36"	\$108	\$109	\$155	\$159	\$163	\$171	\$184	\$358	\$401	\$433	\$570	\$607
42"	114	115	167	172	176	183	196	359	402	434	571	608
48"	119	121	179	184	188	195	209	360	403	435	572	609
54"	126	127	191	196	200	207	221	361	404	436	573	610
60"	132	134	204	209	212	220	233	362	405	437	574	611
66"	139	140	216	221	225	232	246	363	406	438	575	612
72"	145	146	228	233	237	244	258	377	419	451	591	628
78"	152	154	242	247	251	258	271	482	537	581	733	782
84"	158	160	254	259	263	270	287	483	538	582	734	783
90"	165	166	267	271	275	283	300	484	539	583	735	784
96"	171	172	279	284	288	295	312	485	540	584	736	785
108"	183	185	304	308	312	320	337	492	541	585	737	786
120"	198	199	330	335	339	355	363	597	654	809	875	937
132"	—	—	—	370	373	380	388	598	748	810	876	938
144"	—	—	—	394	398	406	422	599	749	811	877	939

Avila Twilight—Opaque.

CLOTH WIDTH	36"	42"	48"	55"	59"	72"	84"	96"	110"	118"	132"	144"
Roller Diameter			1¹/₄"			1¹/₂"		1³/₄"		2¹/₄"		
36"	\$142	\$143	\$143	\$148	\$152	\$239	\$257	\$265	\$319	\$359	\$646	\$688
42"	153	154	154	159	163	261	279	287	341	383	647	689
48"	166	166	166	170	174	283	301	309	363	406	947	1,014
54"	175	176	176	181	185	304	323	330	384	429	948	1,015
60"	186	187	187	192	196	327	345	352	406	453	949	1,016
66"	197	198	198	203	207	349	367	374	428	476	950	1,017
72"	208	209	209	214	218	370	389	396	450	500	951	1,018
78"	220	221	222	227	230	394	412	420	485	525	952	1,019
84"	232	233	233	238	241	416	434	442	507	549	953	1,020
90"	242	243	243	248	252	438	457	464	529	572	954	1,021
96"	253	254	255	260	263	460	479	486	551	595	955	1,022
108"	275	276	276	281	285	503	522	539	595	642	956	1,023
120"	300	301	301	306	310	560	569	586	641	796	1,277	1,370
132"	—	—	—	338	341	603	613	630	778	843	1,278	2,023
144"	—	—	—	359	363	647	666	673	822	890	1,279	2,024

Spring Roller Shade Fabrics

Headbox/Fascia Prices for Spring Roller FlexShades® (all fabrics)

CLOTH WIDTH	31"	36"	42"	45"	48"	54"	60"	63"	72"	84"	98"	108"	120"	132"	144"
3 7/8" Sm. Radius Fascia	\$32	\$34	\$36	\$37	\$38	\$40	\$43	\$44	\$47	\$51	\$57	\$64	\$68	\$73	\$78
3 7/8" Sm. Square Fascia	32	34	36	37	38	40	43	44	47	51	57	64	68	73	78
4 5/8" Lg. Radius Fascia	39	41	43	45	48	51	54	55	60	66	72	84	90	96	102
4 5/8" Lg. Square Fascia	39	41	43	45	48	51	54	55	60	66	72	84	90	96	102
3 15/16" Sm. Headbox	75	78	86	87	92	98	102	107	116	128	142	152	164	176	188
4 11/16" Lg. Headbox	90	99	105	112	114	122	135	135	148	165	184	199	215	232	249

Sizes below black line require seams. — Sizes in green require large fascia/headbox. All others use small fascia/headbox.

Flocké—Opaque. For 1% open Vizela fabric, multiply price below by .75.

CLOTH WIDTH	36"	42"	47"	54"	60"	72"	84"	94"	108"	120"	132"	144"
Roller Diameter	1 1/4"			1 1/2"			1 3/4"		2 1/4"			
FINISHED LENGTH												
36"	\$193	\$200	\$264	\$331	\$335	\$342	\$378	\$389	\$887	\$1,036	\$1,392	\$1,498
42"	211	217	220	366	369	377	416	427	888	1,037	1,393	1,499
48"	228	236	239	402	406	414	454	465	889	1,038	1,394	1,500
54"	248	255	258	439	443	451	492	503	890	1,039	1,395	1,501
60"	265	274	277	474	478	486	530	541	891	1,040	1,396	1,502
66"	284	294	296	511	515	523	568	579	892	1,041	1,397	1,503
72"	302	313	315	548	552	560	606	617	1,263	1,478	1,938	2,090
78"	321	333	335	585	589	596	645	657	1,266	1,481	1,941	2,093
84"	340	352	354	622	626	633	687	695	1,267	1,482	1,942	2,094
90"	358	371	374	659	663	670	726	733	1,268	1,483	1,943	2,095
96"	376	390	393	694	698	705	763	771	1,269	1,484	1,944	2,096
108"	413	429	431	768	772	779	840	857	1,270	1,485	1,945	2,660
120"	451	469	471	842	846	864	918	936	1,627	2,011	2,465	2,663
132"	—	—	—	926	929	936	995	1,012	1,721	2,012	2,466	2,664
144"	—	—	—	1,000	1,003	1,010	1,081	1,088	1,722	2,013	2,467	2,665

SW7000—Opaque.

CLOTH WIDTH	36"	42"	47"	54"	59"	72"	84"	94"	108"	118"	132"	144"
Roller Diameter	1 1/4"			1 1/2"			1 3/4"		2 1/4"			
FINISHED LENGTH												
36"	\$153	\$154	\$178	\$182	\$186	\$176	\$265	\$282	\$392	\$427	\$758	\$809
42"	165	167	193	198	202	189	289	306	422	458	759	810
48"	178	179	209	214	218	202	313	330	452	490	1,000	1,072
54"	190	191	225	229	233	216	336	354	482	522	1,001	1,073
60"	203	204	241	245	249	229	360	377	511	554	1,002	1,074
66"	215	217	256	261	265	242	384	401	541	586	1,003	1,075
72"	228	229	272	277	281	255	408	425	571	618	1,004	1,076
78"	242	243	289	294	298	270	433	450	603	652	1,005	1,077
84"	254	256	305	310	314	283	462	474	633	684	1,169	1,256
90"	267	268	321	325	329	297	486	498	663	715	1,602	1,725
96"	280	281	337	341	345	310	510	522	693	747	1,603	1,726
108"	305	306	368	373	377	337	557	579	753	811	1,604	1,727
120"	332	333	402	407	410	374	607	629	814	982	1,605	1,728
132"	—	—	—	448	451	401	655	677	968	1,046	2,014	2,172
144"	—	—	—	480	484	428	712	725	1,028	1,110	2,015	2,173

SW7100—Opaque. When railroded, SW7100 will have battens. Contact Draper for details.

CLOTH WIDTH	36"	42"	48"	54"	60"	72"	84"	96"	108"	120"	132"	144"
Roller Diameter	1 1/4"			1 1/2"			1 3/4"		2 1/4"			
FINISHED LENGTH												
36"	\$157	\$158	\$158	\$163	\$166	\$173	\$237	\$245	\$416	\$598	\$722	\$768
42"	170	171	172	176	180	187	256	263	417	599	723	769
48"	183	184	185	189	193	200	274	281	418	600	724	770
54"	196	197	198	202	206	213	292	299	419	601	725	771
60"	210	211	211	216	219	226	310	317	420	602	726	772
66"	223	224	225	229	233	240	328	335	695	912	1,111	1,190
72"	236	237	238	242	246	253	346	353	696	913	1,112	1,191
78"	251	252	253	257	261	268	365	373	697	914	1,113	1,193
84"	264	265	266	270	274	281	384	391	791	915	1,114	1,194
90"	277	279	279	284	287	294	402	409	792	916	1,115	1,195
96"	291	292	292	297	301	308	420	427	793	973	1,116	1,196
108"	317	318	319	324	327	344	456	463	962	1,116	1,361	1,463
120"	346	347	348	352	356	372	495	502	964	1,118	1,364	1,465
132"	—	—	—	389	392	399	531	538	965	1,119	1,365	1,487
144"	—	—	—	416	420	426	567	574	1,152	1,338	1,633	1,757

Spring Roller Shade Fabrics

Headbox/Fascia Prices for Spring Roller FlexShades® (all fabrics)

CLOTH WIDTH	31"	36"	42"	45"	48"	54"	60"	63"	72"	84"	98"	108"	120"	132"	144"
3 7/8" Sm. Radius Fascia	\$32	\$34	\$36	\$37	\$38	\$40	\$43	\$44	\$47	\$51	\$57	\$64	\$68	\$73	\$78
3 7/8" Sm. Square Fascia	32	34	36	37	38	40	43	44	47	51	57	64	68	73	78
4 5/8" Lg. Radius Fascia	39	41	43	45	48	51	54	55	60	66	72	84	90	96	102
4 5/8" Lg. Square Fascia	39	41	43	45	48	51	54	55	60	66	72	84	90	96	102
3 15/16" Sm. Headbox	75	78	86	87	92	98	102	107	116	128	142	152	164	176	188
4 11/16" Lg. Headbox	90	99	105	112	114	122	135	135	148	165	184	199	215	232	249

Sizes below black line require seams. — Sizes in green require large fascia/headbox. All others use small fascia/headbox.

SW7500—Opaque.

CLOTH WIDTH	37"	47"	59"	74"	84"	94"	108"	118"	132"	144"
Roller Diameter	1 1/4"		1 1/2"		1 3/4"		2 1/4"			
36"	\$117	\$129	\$151	\$180	\$224	\$233	\$320	\$341	\$514	\$544
42"	123	137	160	192	238	248	337	359	549	581
48"	131	145	169	203	253	262	355	377	614	652
54"	135	152	177	215	268	277	373	394	615	653
60"	140	159	186	227	282	292	391	412	616	654
66"	146	166	195	239	297	307	409	430	617	655
72"	152	174	204	250	312	321	426	448	683	727
78"	160	183	215	264	329	338	459	468	685	729
84"	166	190	224	276	343	353	477	486	686	730
90"	172	198	233	287	359	367	495	503	754	804
96"	178	205	242	299	374	382	512	521	755	805
108"	190	220	259	323	403	424	548	557	983	1,051
120"	204	238	280	360	436	456	586	713	984	1,052
132"	216	253	309	384	465	485	734	748	985	1,491
144"	228	267	327	407	506	515	769	784	986	1,492

GreenScreen® Evolve—Prices below are for 1% openness.

Use multiplier below to calculate price for other openness factors.

CLOTH WIDTH	36"	42"	48"	54"	59"	72"	84"	94"	108"	118"	132"	144"
Roller Diameter	1 1/4"		1 1/2"		1 3/4"		2 1/4"					
36"	\$132	\$133	\$148	\$139	\$142	\$217	\$227	\$238	\$300	\$304	\$859	918.5
42"	141	142	157	147	152	234	245	256	319	321	860	920
48"	152	153	169	157	161	253	264	275	339	374	861	921
54"	160	161	178	166	169	271	282	292	358	394	862	922
60"	168	169	187	175	179	289	300	310	377	416	864	923
66"	178	179	198	185	188	308	318	329	396	437	865	924
72"	187	188	208	194	197	326	336	347	415	457	866	925
78"	198	199	220	205	208	345	356	367	448	494	867	926
84"	207	208	230	213	217	364	375	385	468	515	868	927
90"	216	217	239	222	227	382	396	403	486	536	869	928
96"	224	226	249	232	235	400	415	421	506	558	870	930
108"	243	244	270	250	253	437	451	469	543	599	871	931
120"	264	265	293	271	275	479	491	508	585	645	1,140	1,221
132"	—	—	—	294	297	515	527	545	726	817	1,141	—
144"	—	—	—	312	315	551	574	581	765	853	1,142	—

GreenScreen® Evolve: Fabric Multipliers

Fabric	Open-ness Factor	Multiply Above Prices by...
GreenScreen® Evolve	3%	0.97
GreenScreen® Evolve	5%	0.95
GreenScreen® Evolve	10%	0.92

GreenScreen® Revive—Mesh. Prices below are for 1% openness.

For 5% open fabric, multiply price below by .95.

CLOTH WIDTH	36"	42"	48"	54"	59"	72"	84"	94"	108"	118"	132"	144"
Roller Diameter	1 1/4"		1 1/2"		1 3/4"		2 1/4"					
36"	\$120	\$121	\$122	\$126	\$129	\$197	\$206	\$216	\$273	\$276	\$781	\$835
42"	128	129	130	134	138	213	223	233	290	292	782	836
48"	138	139	140	143	146	230	240	250	308	309	783	837
54"	145	146	147	151	154	246	256	265	325	326	784	838
60"	153	154	155	159	163	263	273	282	343	344	785	839
66"	162	163	164	168	171	280	289	299	360	361	786	840
72"	170	171	172	176	179	296	305	315	377	378	787	841
78"	180	181	182	186	189	314	324	334	407	408	788	842
84"	188	189	190	194	197	331	341	350	425	426	789	843
90"	196	197	198	202	206	347	360	366	442	443	790	844
96"	204	205	206	211	214	364	377	383	460	461	791	845
108"	221	222	223	227	230	397	410	426	494	495	792	846
120"	240	241	242	246	250	435	446	462	532	533	1,036	1,110
132"	—	—	—	267	270	468	479	495	660	743	1,037	—
144"	—	—	—	284	286	501	522	528	695	775	1,038	—

Spring Roller Shade Fabrics

Headbox/Fascia Prices for Spring Roller FlexShades® (all fabrics)

CLOTH WIDTH	31"	36"	42"	45"	48"	54"	60"	63"	72"	84"	98"	108"	120"	132"	144"
3 7/8" Sm. Radius Fascia	\$32	\$34	\$36	\$37	\$38	\$40	\$43	\$44	\$47	\$51	\$57	\$64	\$68	\$73	\$78
3 7/8" Sm. Square Fascia	32	34	36	37	38	40	43	44	47	51	57	64	68	73	78
4 5/8" Lg. Radius Fascia	39	41	43	45	48	51	54	55	60	66	72	84	90	96	102
4 5/8" Lg. Square Fascia	39	41	43	45	48	51	54	55	60	66	72	84	90	96	102
3 15/16" Sm. Headbox	75	78	86	87	92	98	102	107	116	128	142	152	164	176	188
4 11/16" Lg. Headbox	90	99	105	112	114	122	135	135	148	165	184	199	215	232	249

Sizes below black line require seams. — Sizes in green require large fascia/headbox. All others use small fascia/headbox.

SW5000—Mesh. Railroadng not recommended.

CLOTH WIDTH	36"	42"	48"	54"	60"	74"	84"	98"	
Roller Diameter	1 1/4"						1 1/2"		
FINISHED LENGTH	36"	\$155	\$156	\$157	\$161	\$165	\$172	\$233	\$241
	42"	168	170	170	175	178	185	251	258
	48"	181	183	183	188	191	198	268	275
	54"	194	196	196	201	204	211	285	292
	60"	208	209	209	214	217	224	302	310
	66"	221	222	222	227	230	237	320	327
	72"	234	235	235	240	244	251	337	344
	78"	248	249	250	255	258	265	356	363
	84"	261	263	263	268	271	278	373	380
	90"	275	276	276	281	284	291	391	398
	96"	288	289	289	294	297	304	408	415
	108"	314	315	316	320	324	340	443	450
	120"	342	343	344	348	352	368	479	487
	132"	—	—	—	384	388	395	514	521
144"	—	—	—	411	415	422	549	556	

Group 1: Mesh Fabrics—Use multiplier below to calculate price for specific fabric.

CLOTH WIDTH	31"	42"	48"	54"	63"	72"	84"	98"	108"	120"	132"	144"	
Roller Diameter	1 1/4"						1 1/2"		1 3/4"		2 1/4"		
FINISHED LENGTH	36"	\$92	\$103	\$111	\$133	\$137	\$156	\$188	\$210	\$296	\$446	\$547	\$606
	42"	96	109	117	143	146	167	199	223	314	465	572	607
	48"	100	115	124	152	155	179	210	236	338	484	573	608
	54"	105	121	131	161	165	189	221	249	355	503	649	690
	60"	109	126	138	170	174	201	233	262	373	522	650	691
	66"	114	132	145	174	183	212	244	275	391	541	651	692
	72"	118	138	151	189	193	223	255	289	409	560	652	693
	78"	124	145	160	200	203	235	268	303	423	581	703	749
	84"	128	151	166	209	213	246	279	316	451	600	704	750
	90"	133	157	173	218	222	257	291	330	486	639	1,037	1,112
	96"	137	163	180	228	231	269	302	343	509	677	1,038	1,113
	108"	146	175	194	246	250	287	324	369	536	717	1,063	1,139
	120"	157	188	209	267	271	311	349	398	573	773	1,064	—
	132"	—	—	—	296	299	347	372	424	605	815	1,079	—
144"	—	—	—	315	318	369	394	451	641	863	—	—	

Large Hardware information above based on PW4800—may vary for some fabrics

Group 1: Fabric Multipliers

Fabric	Open-ness Factor	Multiply Above Prices by...	Fabric	Open-ness Factor	Multiply Above Prices by...
SW Infinity 2	1%	1.57	SW Infinity 2	5%	1.35
PW4800	1%	1.15	PW4500	5%	1.03
SW Infinity 2	3%	1.44	PW4550	5%	1.03
PW4600	3%	1.11	PW3500	5%	1.00
PW4650	3%	1.11	PW4100*	10%	0.97
PW4400	3%	1.07			

*Not available in 120" roll widths. Seaming information above is based on 120" roll goods.

Spring Roller Shade Fabrics

Group 2: Mesh Fabrics—Use multiplier below to calculate price for specific fabric.

CLOTH WIDTH		31"	42"	48"	54"	63"	72"	84"	98"	108"	120"	132"	144"
Roller Diameter		1 1/4"				1 1/2"			1 3/4"		2 1/4"		
FINISHED LENGTH	36"	\$91	\$102	\$109	\$119	\$136	\$179	\$231	\$244	\$361	\$391	\$537	\$568
	42"	95	108	116	126	146	194	248	261	383	412	592	628
	48"	101	113	122	133	155	208	265	278	412	434	593	629
	54"	103	118	128	140	164	222	282	295	434	456	729	778
	60"	108	124	135	147	173	236	299	311	455	478	730	779
	66"	112	129	141	154	182	250	316	328	477	499	731	780
	72"	116	135	148	161	191	264	333	345	499	521	732	781
	78"	121	142	156	170	202	280	351	364	516	545	733	782
	84"	126	147	162	177	211	294	374	382	558	567	734	783
	90"	130	153	169	184	220	308	391	399	580	589	950	1,015
	96"	134	158	175	191	229	322	408	416	602	611	951	1,016
	108"	142	169	188	206	247	350	442	462	646	654	1,143	1,225
	120"	153	183	204	222	268	390	478	499	691	818	1,145	1,227
	132"	—	—	—	246	295	419	512	533	847	862	1,146	—
144"	—	—	—	261	314	448	561	570	891	906	1,339	—	

Large Hardware information above based on SW2701—may vary for some fabrics

Group 2: Fabric Multipliers

Fabric	Open-ness Factor	Multiply Above Prices by...	Fabric	Open-ness Factor	Multiply Above Prices by...
SW2500PP*	1%	1.86	SW2705	5%	0.95
SW2500	1%	1.11	SW Basic	5%	0.87
SW2701	1%	1.05	Soltis 86*	8%	1.12
SW2400PP*	3%	1.76	Soltis 88*	8%	1.16
Soltis 92*	3%	1.26	SW2100*	10%	0.96
Soltis 99*	3%	0.99	SW2600*	10%	0.96
SW2400	3%	1.04	SW2710	10%	0.90
SW2703	3%	0.99	Suntex Design*	10%	0.89
SW Basic	3%	0.94	Suntex 90*	10%	0.81
SW2900 PP*	5%	1.67	SW3000*	14%	0.90
SW2000	5%	1.00	SW1000*	23%	0.77
SW2900	5%	1.00			

*Not available in 120" roll widths. Seaming information above is based on 120" roll goods.

Group 3: Mesh Fabrics—Use multiplier below to calculate price for specific fabric.

CLOTH WIDTH		38"	48"	60"	78"	84"	98"	108"	120"	132"	144"
Roller Diameter		1 1/4"			1 1/2"			1 3/4"		2 1/4"	
FINISHED LENGTH	36"	\$98	\$109	\$128	\$152	\$195	\$202	\$282	\$430	\$608	\$646
	42"	103	115	136	162	207	214	298	447	609	647
	48"	109	122	144	172	219	226	319	464	610	648
	54"	114	128	152	182	231	238	335	481	611	649
	60"	119	135	160	193	243	250	351	498	612	650
	66"	124	141	168	203	255	262	367	515	613	651
	72"	129	147	176	213	267	274	383	532	674	718
	78"	136	155	185	225	281	288	396	551	842	900
	84"	141	162	193	235	293	300	520	568	843	901
	90"	146	168	201	245	305	312	536	585	962	1,030
	96"	151	175	209	256	317	324	552	602	963	1,031
	108"	162	187	225	286	341	348	584	636	964	1,032
	120"	174	203	243	308	367	375	618	672	1,399	1,503
	132"	185	226	269	329	392	399	650	706	1,400	1,504
144"	195	239	285	350	416	423	681	740	1,401	1,505	

Large Hardware information above based on T Screen 3%—may vary for some fabrics

Group 3: Fabric Multipliers

Fabric	Openness Factor	Multiply Above Prices by...	Fabric	Openness Factor	Multiply Above Prices by...	Fabric	Openness Factor	Multiply Above Prices by...
E Screen	1%	1.13	E Screen	3%	1.05	M Screen	5%	1.08
Alkenz 3000/4000	1%	0.92	Alkenz 3000/4000	3%	0.91	E Screen	5%	1.00
E Screen/KoolBlack	3%	1.57	SilverScreen*	4%	2.04	Alkenz 3000/4000	5%	0.88
T Screen/KoolBlack	3%	1.34	E Screen/KoolBlack	5%	1.46	E Screen	10%	0.97
M Screen	3%	1.12	Satine*	5%	1.44	Vienne*	10%	0.97
T Screen*	3%	1.14	T Screen/KoolBlack	5%	1.25	Alkenz 3000/4000	10%	0.86
						Natte*	12%	1.33

*Not available in 120" roll widths. Seaming information above is based on 120" roll goods.

FlexShade® Extrusions and Accessories

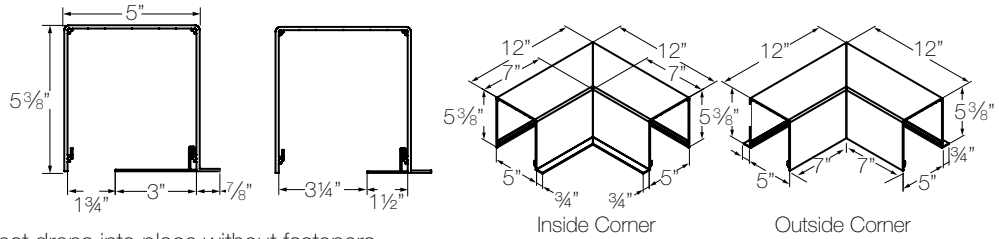
Not all accessories are compatible

Custom Pockets

Draper offers custom pockets suitable for all products/sizes. Please contact Draper for details and pricing.

Type D Pocket

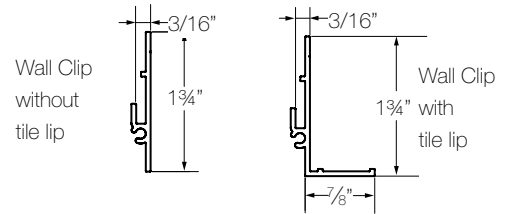
- Aluminum Type D Pockets are for mounting motorized or manual FlexShades® above the ceiling. Pockets are anchored through the top, and FlexShades® are installed using standard ceiling brackets.
- Pockets have a removable, continuous closure (sold separately) that drops into place without fasteners. 1½" closure panel recommended for use with clutch operated FlexShades®. Larger closure panels will require field notching for bead chain clearance. Not suitable for all products/sizes.
- 12' 3" length.
- Cross-section measures 5" x 5⅜".
- Standard color — white.
- Fixed lip along lower edge supports lay-in ceiling at bottom edge.
- For use with clutch-operated or motorized FlexShade®, and with FlexShade® Coupling Assembly.



Part No.	Item	Price/Unit
C177.080.21	Type D Pocket	\$350/piece or \$32/ft cut to size
Type D Pocket Bundle — One bundle consists of 18 stock length (12' 3") extrusions. In order to receive bundle price, you must order in complete bundle quantities of 18 stock length extrusions.		\$266/piece (x 18/Bundle)
C032.091	Alignment Pin —Facilitates easier alignment of multiple Type D Pockets. 4 required per connection.	\$0.16 each
C098.031.21	Inside Corner	\$52/corner
C096.032.21	Outside Corner	\$52/corner
C041.019	Pocket End Cap Kit	\$50/pair

Wall Clips

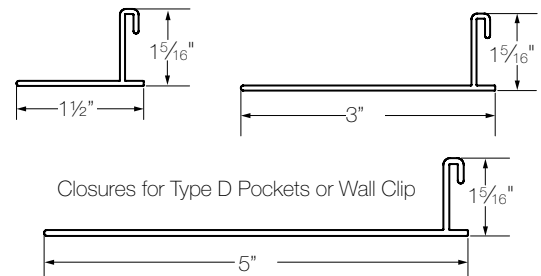
Part No.	Item	Price/Unit
C014.066.21	Wall Clip With ceiling tile lip — 12' 3" length	\$61/piece or \$5.55/ft cut to size
C014.065.21	Wall Clip Without ceiling tile lip — 12' 3" length	\$53/piece or \$4.80/ft cut to size



Closures for Type D Pockets or Wall Clip

1½" closure recommended for use with clutch operated FlexShades®. Larger closure panels will require field notching for chain clearance.

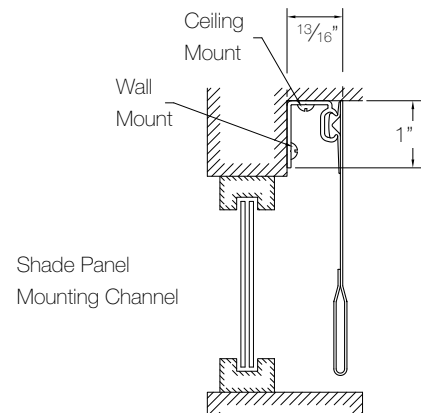
Part No.	Item	Price/Unit
C044.209.21	1½" closure panel —12' 3" length	\$55/piece or \$5.00/ft cut to size
C044.210.21	3" closure panel —12' 3" length	\$66/piece or \$6.00/ft cut to size
C044.211.21	5" closure panel —12' 3" length	\$93/piece or \$8.00/ft cut to size



Shade Panel Mounting Channel (Spline Fabric Attachment)

Shade fabric attached to channel with spline to create a free hanging fixed shade that comes in a mill finish.

Part No.	Item	Price/Unit
C014.067.00	Shade Panel Mounting Channel —12' 3" length	\$50/piece or \$4.50/ft cut to size



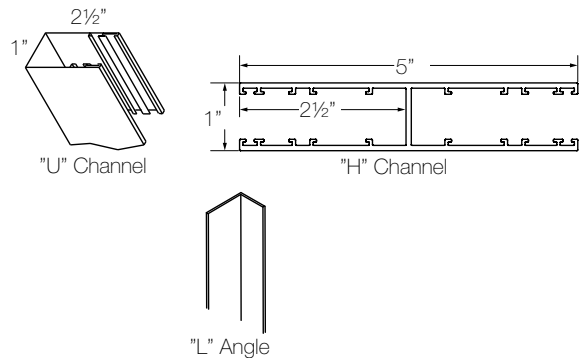
FlexShade® Extrusions and Accessories

Not all accessories are compatible

"U" Channel, "H" Channel, or "L" Angle

Available in: **Black, Bronze, White, Ivory and Clear.** Please specify color.

Part No.	Item	Price/Unit
C090.018	"U" Channel—1" x 2½" x 16' 3" length	\$150/piece or \$10.50/ft cut to size
C090.041	"H" Channel—1" x 5" x 16' 3" length	\$239/piece or \$16.25/ft cut to size
C104.029	"L" Angle—¾" x 1" x 12' 3" length	\$106/piece or \$9.50/ft cut to size
C104.030	"L" Angle—1" x 2¾" x 16' 3" length	\$149/piece or \$10.25/ft cut to size
C011.122	Spacer for Dual Roller FlexShade® to be used with "U" Channels—Minimum one spacer per channel. Please Specify color.	\$4.00/piece



Plug Buttons for Channels

Part No.	Color	Price/Unit
C079.008	Ivory	\$0.10/each
C079.009	Grey	0.10/each
C079.010	Brown	0.10/each
C079.011	Black	0.10/each
C079.012	White	0.10/each

Liners (2 Per Channel)

Part No.	Size	Price/Unit
C037.002	.140" Height	\$0.10/foot
C037.003	.310" Height	0.12/foot
C037.004	.450" Height	0.18/foot
C037.015	1" Height	3.60/foot

Side Channel Fabric Guides

Part No.	Description	Price/Unit
C059.008.47	Left-Handed	\$2.00/each
C059.009.47	Right-Handed	2.00/each

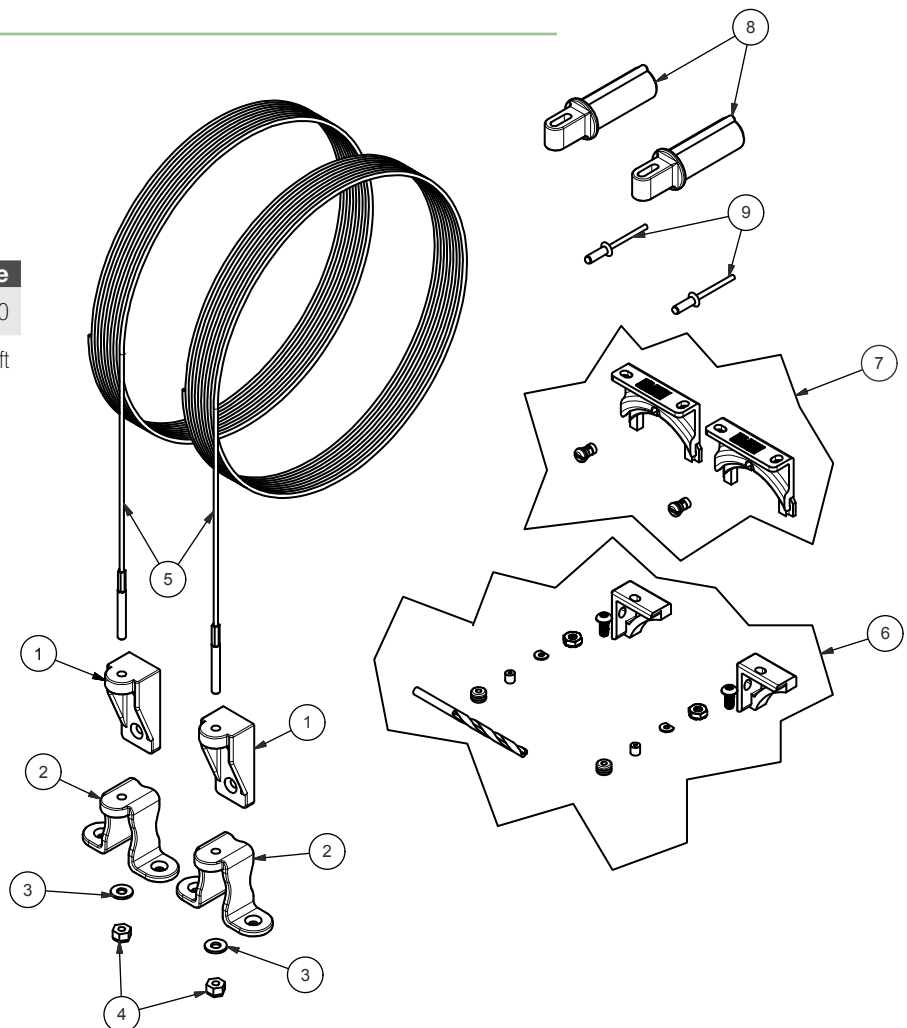
Cable Guide Assembly Kit

Draper's Cable Guide Assembly Kit comes with everything seen below which includes special hem bar with cable guides, wall or deck mount hardware, and up to 20' of cable. Cable cut to length in field. Hardware available in 5 Draper standard colors: black, white, ivory, bronze, and silver.

Part No.	Item	Price
C501.374	Complete Cable Guide Assembly Kit— 40'	\$150
C083.064.16	Exterior Hembar	\$5.50/ft

Components

1. Exterior FlexShade® Cable Wall Mount
2. Exterior FlexShade® Cable Deck Mount
3. Flat Washer, #10
4. Hex Nut— Nylon inserted zinc.
5. Cable— 1/16" D 7x7 strand vinyl.
6. End Cap Insert
7. Bracket Insert
8. Slat Guide
9. 3/16" Flat Head Pop Rivet



FlexShade® Extrusions and Accessories

Coupler Brackets

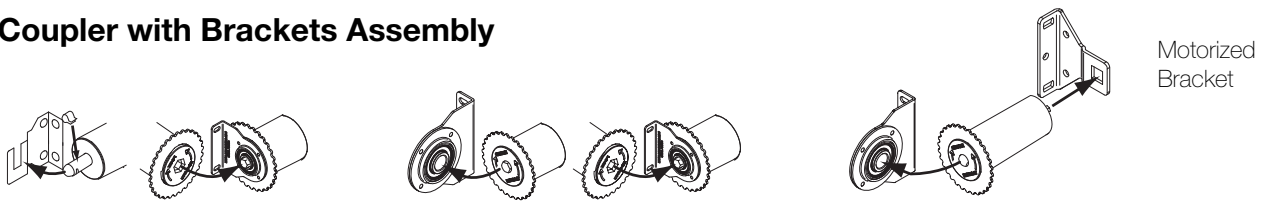
Draper's FlexShade® Coupling System makes it easier than ever to group multiple Shades with a single operator. Patent pending.

- Drive multiple window Shades with a single motor or crank.
- Fabric height can be easily and independently adjusted.
- Brackets are installer-friendly, and can overcome walls that are not perfectly flat.
- Coupled Shades must be same height.
- Brackets extend 2 1/2" from mounting surface to center line of roller, and may be wall or ceiling mounted.

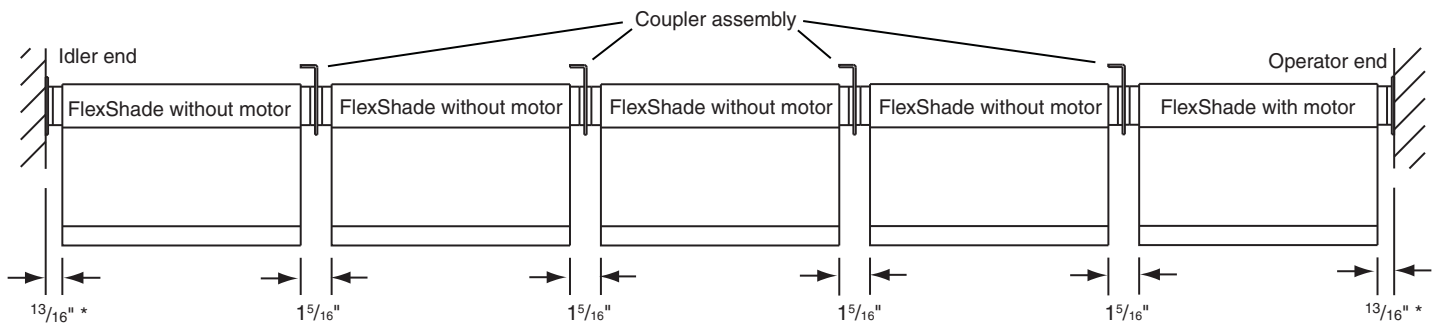
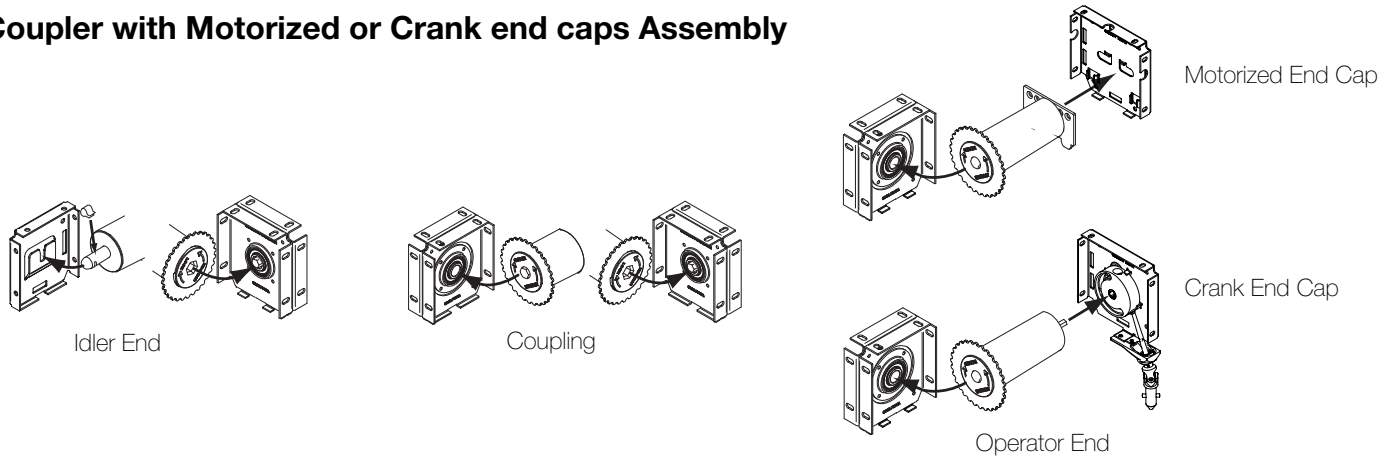
- Install FlexShade® Coupling System in Draper Type D Pocket or existing pocket. Coupled units may also be installed in 4 5/8" Draper ceiling pockets. Fascia is not available for FlexShades® using the coupling system. Can be used in surface mount, Access, Dual Roller, etc. Not suitable for all products/sizes.
- FlexShade® couplers work with both 2" and 3" diameter rollers; however, adjacent roller tubes must be of the same diameter.
- FlexShade® 2, Colossal, and LightBloc FlexShades® may NOT be coupled! Only motor and crank operators are suitable for coupling.
- FlexShade® Angled Couplers are only to be used on angles 30 degrees or less. Please contact Draper for hardware restrictions.
- For pricing coupled units, the widest unit should be priced as motorized or crank, all others as manual.

Part No.	Item	Price/Unit
--	Coupler Assembly	\$125/
C069.013	Angled Coupler Brackets Only	\$200
--	Optional Spline Attachment	\$23/band for coupled units

Coupler with Brackets Assembly



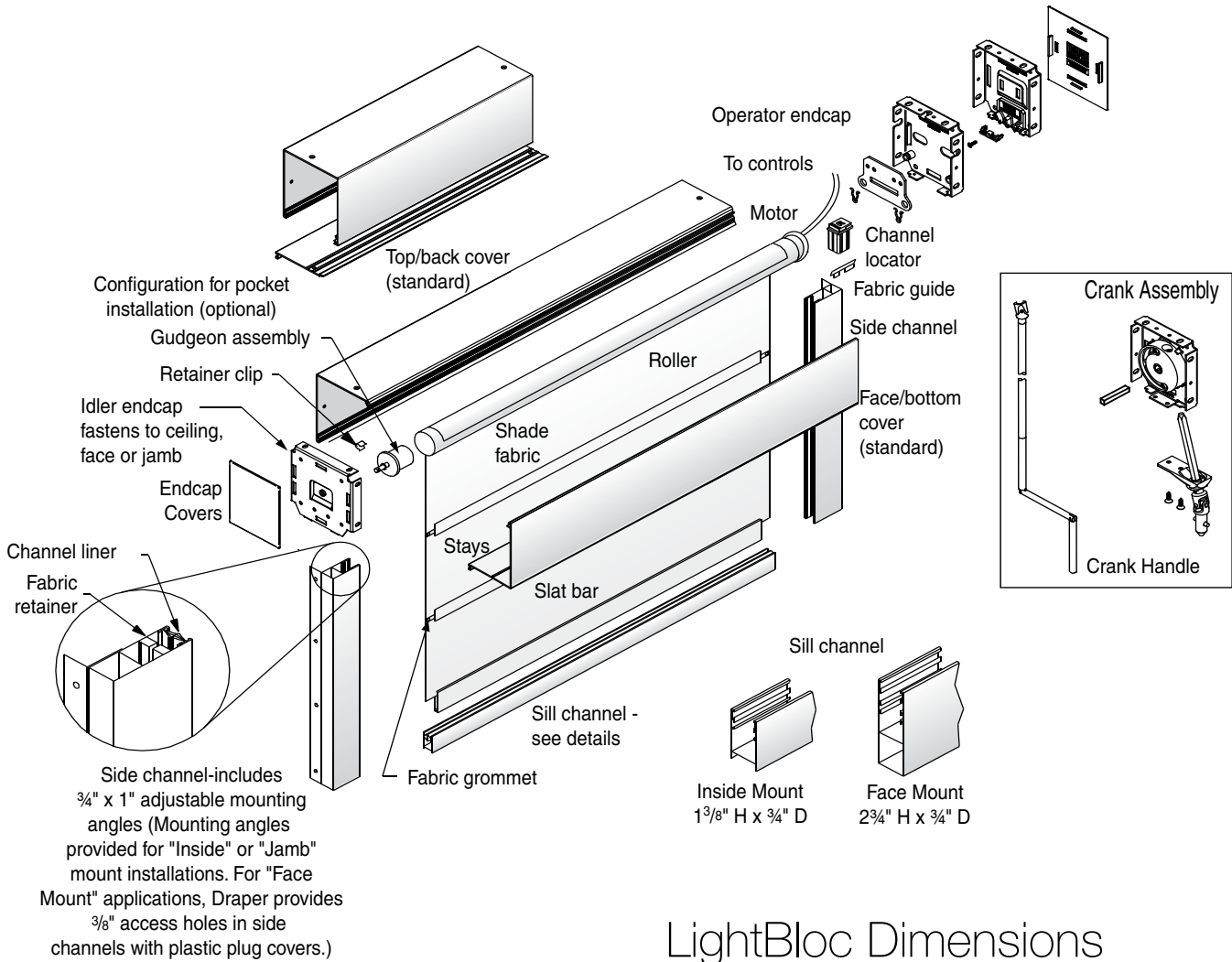
Coupler with Motorized or Crank end caps Assembly



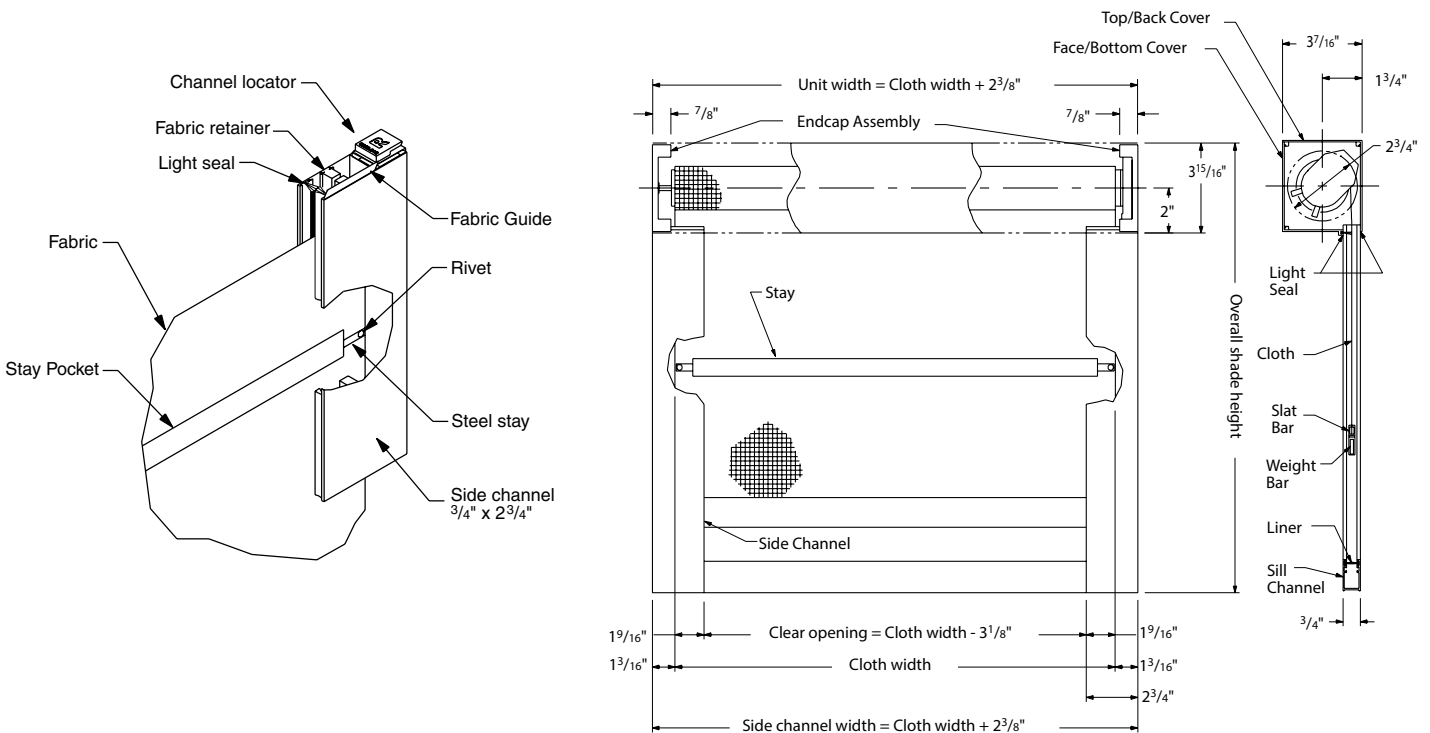
* This dimension may be larger, depending on motor selection. Contact Draper for motor verification.

Components for a Complete LightBloc System

(Inside Mount Style shown. Details will differ for face-mounted units.)



LightBloc Dimensions



LightBloc Shading System—Motorized

The LightBloc system is designed for total blackout.

- Series SB9000 units include shade fabric, headbox, side and sill channels, roller, operating mechanism and patented fabric retention system (Patent Nos. US 5,323,831 & CA 2,125,517).
- Fabric retention system is available only on SB9000 and SB9100 units.

Component information and dimensions on page 52.

STANDARDS

- The tubular gearmotor is mounted on the **right-hand end standard** (left-hand motor available).
- Headbox styles are available for ceiling or wall installation.
- Standard fabric is Draper's opaque SunBloc Series SB9000: refer to page 7 for colors and stock numbers.

OPTIONS

- Hardware finish choices are: Clear anodized (standard), ivory, charcoal bronze, white and black available.
- Motor, controls, and accessories beginning on page 22.

LightBloc FlexShades® are limited to the published sizes and fabrics. No variations are allowed. Jamb mount is standard.

Sizes to the right of thin black line require seams.

SB9000/9100—Opaque.

UNIT WIDTH	36"	45"	63"	72"	84"	96"
OVERALL HEIGHT						
36"	\$855	\$896	\$932	\$998	\$1,061	\$1,090
48"	886	931	967	1,035	1,109	1,137
60"	913	961	999	1,067	1,150	1,179
72"	944	995	1,035	1,104	1,198	1,227
84"	971	1,025	1,066	1,136	1,239	1,268
96"	1,012	1,069	1,112	1,184	1,297	1,327
108"	1,044	1,104	1,148	1,221	1,345	1,375
120"	1,071	1,134	1,179	1,253	1,386	1,416
132"	1,102	1,168	1,215	1,290	1,434	1,464
144"	1,129	1,198	1,246	1,322	1,475	1,506

Flocké—Opaque.

For 1% open Vizela fabric, multiply price below by .88.

UNIT WIDTH	36"	47"	60"	72"	84"	94"
OVERALL HEIGHT						
36"	\$977	\$1,007	\$1,193	\$1,256	\$1,287	\$1,314
48"	1,036	1,066	1,293	1,356	1,386	1,414
60"	1,094	1,124	1,392	1,455	1,485	1,513
72"	1,153	1,183	1,492	1,554	1,588	1,616
84"	1,211	1,241	1,590	1,653	1,686	1,715
96"	1,280	1,310	1,700	1,764	1,797	1,825
108"	1,339	1,369	1,800	1,863	1,900	—
120"	1,397	1,427	1,898	1,962	—	—
132"	1,456	1,486	1,998	2,062	—	—
144"	1,514	1,544	2,097	2,161	—	—

SW7000—Opaque.

UNIT WIDTH	36"	47"	59"	72"	84"	94"
OVERALL HEIGHT						
36"	\$1,039	\$1,075	\$1,111	\$1,147	\$1,337	\$1,413
48"	1,109	1,146	1,182	1,218	1,362	1,439
60"	1,177	1,214	1,250	1,286	1,385	1,461
72"	1,247	1,284	1,320	1,357	1,582	1,763
84"	1,315	1,352	1,388	1,425	1,604	1,789
96"	1,385	1,419	1,459	1,496	1,630	1,820
108"	1,455	1,492	1,529	1,567	1,823	—
120"	1,523	1,561	1,597	1,635	—	—
132"	1,593	1,631	1,668	1,706	—	—
144"	1,661	1,699	1,736	1,774	—	—

SW7100—Opaque.

UNIT WIDTH	36"	48"	60"	72"	84"	96"
OVERALL HEIGHT						
36"	\$952	\$988	\$1,029	\$1,092	\$1,122	\$1,150
48"	1,001	1,037	1,086	1,149	1,179	1,207
60"	1,048	1,084	1,142	1,205	1,235	1,263
72"	1,097	1,133	1,199	1,262	1,318	1,365
84"	1,144	1,180	1,255	1,318	1,368	1,407
96"	1,192	1,226	1,322	1,386	1,422	1,461
108"	1,241	1,278	1,379	1,443	1,476	1,515
120"	1,288	1,325	1,435	1,499	—	—
132"	1,336	1,374	1,492	1,556	—	—
144"	1,383	1,420	1,548	1,612	—	—

PLEASE NOTE: If including a LightBloc Shading System in a Draper Access Dual Roller FlexShade® System, don't forget to deduct price of a standard headbox from the LightBloc (see page 9 for 3 7/8" headbox prices).

LightBloc Shading System—Manual

STANDARDS

- The standard operating mechanism is bead chain clutch. Component information and dimensions on page 52.
- Headbox styles are available for ceiling or wall installation.
- Standard fabric is Draper's opaque SunBloc Series SB9000: refer to page 7 for colors and stock numbers.
- Only SB9000 and SB9100 have Draper's patented fabric retention system. For more information, contact Draper.

OPTIONS

- Spring roller operator is available at no extra charge.
- Crank operated mechanism is available: see page 28 for pricing.
- Hardware finish choices are: **Clear anodized (standard)**, ivory, charcoal bronze, white and black available.

ANSI/WCMA A100.1 Compliance:

- Recommended for installing where small children are present.
- Pre-installed Spring-Loaded Chain Tension Device (Owl Clip) with Bead Chain threaded through it. **Part No. C504.097**
- Approved permanent warning label is attached.
- Approved mechanical fasteners included.
- If the tension device is not installed properly, or becomes unattached from the mounting surface, the shade will be rendered partially inoperable. If installed properly, the tension device will also prevent the creation of a hazardous loop and will maintain tension on the bead chain. The tension device and label require tools to be removed. ANSI/WCMA compliance is an option that must be specified at time of order. **\$2.00 upcharge.**

LightBloc FlexShades® are limited to the published sizes and fabrics. No variations are allowed. Jamb mount is standard.

Sizes to the right of thin black line require seams.

SB9000/9100—Opaque.

UNIT WIDTH	36"	45"	63"	72"	84"	96"
OVERALL HEIGHT						
36"	\$474	\$514	\$547	\$605	\$725	\$751
48"	507	550	584	643	774	816
60"	536	581	617	677	817	859
72"	569	617	655	716	866	908
84"	598	649	687	749	909	952
96"	694	749	789	859	969	1,012
108"	727	785	827	898	1,018	1,061
120"	756	816	859	931	1,061	1,105
132"	788	852	897	970	1,110	—
144"	817	884	930	1,004	1,153	—

Flocké—Opaque.

For 1% open Vizela fabric, multiply price below by .88.

UNIT WIDTH	36"	47"	60"	72"	84"	94"
OVERALL HEIGHT						
36"	\$620	\$653	\$795	\$850	\$982	\$1,079
48"	699	732	897	952	1,000	1,098
60"	776	810	997	1,052	1,116	1,122
72"	856	889	1,098	1,153	1,288	1,427
84"	933	967	1,199	1,254	1,312	1,454
96"	1,012	1,089	1,364	1,426	1,431	—

SW7000—Opaque.

UNIT WIDTH	36"	47"	59"	72"	84"	94"
OVERALL HEIGHT						
36"	\$585	\$618	\$650	\$738	\$767	\$995
48"	656	689	722	809	838	1,014
60"	726	758	791	879	907	1,032
72"	797	830	863	950	978	1,067
84"	866	899	932	1,020	1,048	1,086
96"	943	970	1,003	1,161	1,190	—

SW7100—Opaque.

UNIT WIDTH	36"	48"	60"	72"	84"	96"
OVERALL HEIGHT						
36"	\$544	\$573	\$626	\$680	\$722	\$791
48"	593	621	683	737	781	822
60"	640	668	739	793	838	880
72"	688	716	796	850	950	1,046
84"	736	764	852	906	977	—
96"	848	876	971	1,032	1,084	—
108"	896	924	1,028	1,089	—	—
120"	943	972	1,084	1,145	—	—
132"	992	1,020	1,141	1,202	—	—

LightBloc ZIP

The LightBloc ZIP is a motorized system with headbox, side, and sill channels. LightBloc Zip incorporates Draper's LightBloc headbox design. This LightBloc headbox features 1¾" wide side channels (1" smaller than Motorized or Manual LightBloc) which incorporate a "zip" detail that is welded to the vertical sides of the fabric. This "zip" detail prevents the fabric from coming out of the side channels. Side channels can be face or jamb mounted. Bottom sill channel is ¾" "L" angle.

- Two headbox sizes available: large and small
- Side Guides can be jamb mounted or face mounted
- Prevents light penetration at the sides of the system and can be used as a blackout system for interior applications.
- Side guide channel width = 1¾" / 44.45mm (1" smaller than Motorized or Manual LightBloc)

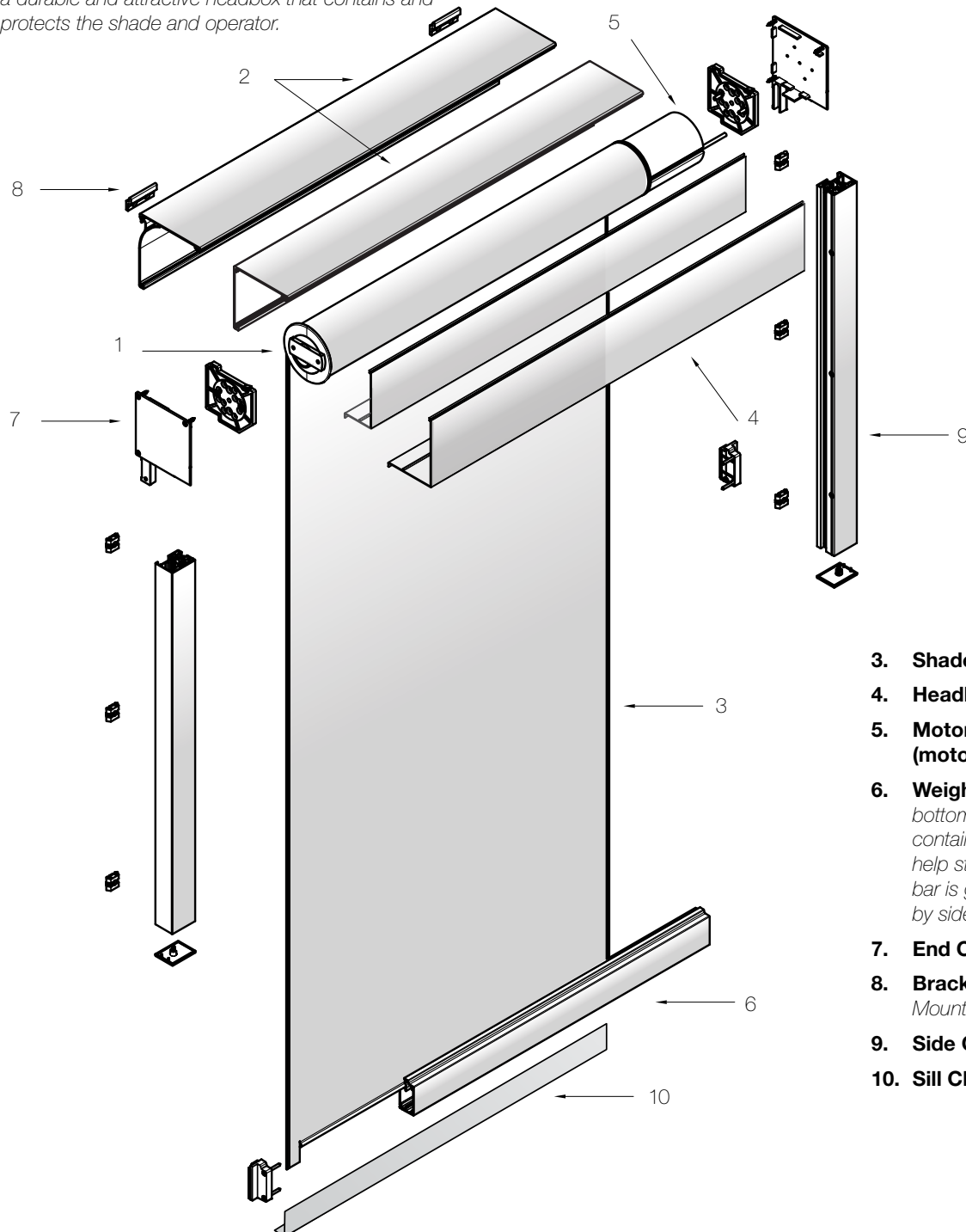
Components

1. Idler End Assembly with Spring Loaded

Gudgeon—The idler end is the end of the shade where the roller spins freely (or "idles") in the End Cap/bracket.

2. Headbox, Rear Section—LightBloc ZIP utilizes a durable and attractive headbox that contains and protects the shade and operator.

SHIPPING NOTE: LightBloc ZIP Shades less than 7' wide are carton packed for shipment. Sizes from 7'-12' are shipped with corner guards. Sizes 12' and greater are crated for shipment. Large sizes may require special handling consideration.



3. **Shade Cloth and Roller**
4. **Headbox, Front Section**
5. **Motor Assembly (motorized).**
6. **Weighted Hem Bar**—The bottom of the shade cloth contains a weighted bar to help stabilize the shade. This bar is guided during operation by side channel.
7. **End Cap & End Cap Cover**
8. **Bracket Assembly**—Mounting point for shade.
9. **Side Guide Channels**
10. **Sill Channel**

LightBloc ZIP FABRICS

Sizes below black line require seams. — Sizes in green require large fascia/headbox. All others use small fascia/headbox.

SB9000/9100—Opaque (SB9100 sizes larger than 72" wide will have seams.)

CLOTH WIDTH	36"	48"	60"	72"	84"	96"	108"	120"	132"	144"
HEIGHT 36"	\$1,355	\$1,364	\$1,453	\$1,533	\$1,619	\$1,661	\$1,746	\$2,055	\$2,148	\$2,235
42"	1,357	1,368	1,457	1,538	1,620	1,662	1,757	2,067	2,162	2,249
48"	1,360	1,371	1,462	1,543	1,628	1,671	1,758	2,068	2,163	2,250
54"	1,395	1,408	1,466	1,580	1,666	1,710	1,796	2,107	2,203	2,291
60"	1,397	1,411	1,471	1,585	1,667	1,711	1,797	2,108	2,204	2,350
66"	1,439	1,454	1,545	1,629	1,740	1,789	1,880	2,196	2,296	2,389
72"	1,441	1,457	1,549	1,634	1,741	1,790	1,936	2,255	2,358	2,454
78"	1,476	1,494	1,587	1,671	1,773	1,875	1,969	2,287	2,390	2,486
84"	1,479	1,497	1,591	1,676	1,823	1,876	1,970	2,288	2,391	2,487
90"	1,530	1,549	1,679	1,767	1,873	1,925	2,018	2,337	2,440	2,536
96"	1,563	1,584	1,683	1,772	1,874	1,926	2,063	2,387	2,494	2,595
108"	1,601	1,624	1,725	1,814	1,941	1,998	2,096	2,419	2,527	2,628
120"	1,733	1,758	1,772	1,863	1,980	2,037	2,135	2,420	2,528	2,629
132"	1,771	1,798	1,814	1,905	2,013	2,069	2,168	2,421	2,529	2,687
144"	1,776	1,805	1,823	1,915	2,048	2,109	2,212	2,469	2,581	2,688

Roc-Rol—Opaque.

CLOTH WIDTH	36"	48"	60"	72"	84"	96"	108"	120"	132"	144"
HEIGHT 36"	\$1,384	\$1,432	\$1,515	\$1,592	\$1,658	\$1,806	\$1,907	\$2,234	\$2,344	\$2,448
42"	1,391	1,444	1,527	1,604	1,670	1,807	1,908	2,235	2,345	2,449
48"	1,397	1,457	1,539	1,617	1,683	1,808	1,909	2,236	2,346	2,450
54"	1,436	1,502	1,552	1,662	1,728	1,838	1,996	2,325	2,439	2,546
60"	1,442	1,514	1,564	1,675	1,791	1,892	1,997	2,326	2,440	2,547
66"	1,487	1,566	1,681	1,763	1,842	1,931	2,035	2,364	2,478	2,585
72"	1,518	1,609	1,693	1,775	1,854	1,932	2,036	2,365	2,479	2,586
78"	1,524	1,654	1,739	1,820	1,900	2,068	2,184	2,526	2,586	2,587
84"	1,563	1,667	1,751	1,833	1,912	2,069	2,185	2,527	2,652	2,771
90"	1,570	1,728	1,812	1,895	1,974	2,118	2,234	2,576	2,702	2,821
96"	1,624	1,740	1,825	1,907	1,987	2,119	2,235	2,577	2,703	2,822
108"	1,631	1,798	1,882	1,965	2,044	2,151	2,267	2,609	2,735	2,854
120"	1,676	1,950	1,951	2,028	2,108	2,294	2,423	2,777	2,876	3,008
132"	1,816	2,008	2,009	2,086	2,165	2,327	2,456	2,810	2,877	3,009
144"	1,861	2,032	2,033	2,111	2,190	2,328	2,457	2,811	2,878	3,010

Avila Twilight—Opaque.

CLOTH WIDTH	36"	48"	60"	72"	84"	96"	108"	118"	132"	144"
HEIGHT 36"	\$1,409	\$1,451	\$1,492	\$1,641	\$1,707	\$1,742	\$1,818	\$2,120	\$2,490	\$2,607
42"	1,418	1,460	1,501	1,660	1,726	1,760	1,837	2,139	2,491	2,608
48"	1,428	1,469	1,510	1,679	1,745	1,779	1,856	2,158	2,492	2,609
54"	1,470	1,495	1,520	1,730	1,796	1,831	1,908	2,209	2,523	2,640
60"	1,479	1,504	1,529	1,749	1,815	1,850	1,982	2,287	2,585	2,704
66"	1,528	1,568	1,608	1,807	1,873	1,961	2,040	2,345	2,624	2,743
72"	1,537	1,578	1,618	1,862	1,942	1,980	2,059	2,364	2,625	2,744
78"	1,579	1,610	1,695	1,914	1,993	2,031	2,111	2,415	2,657	2,776
84"	1,620	1,662	1,704	1,933	2,012	2,050	2,129	2,434	2,658	2,777
90"	1,678	1,720	1,762	2,001	2,081	2,119	2,198	2,503	2,706	2,826
96"	1,687	1,729	1,771	2,020	2,100	2,137	2,217	2,521	2,707	2,827
108"	1,739	1,781	1,823	2,091	2,170	2,208	2,287	2,592	2,739	2,859
120"	1,885	1,886	1,886	2,167	2,246	2,284	2,364	2,629	2,954	3,092
132"	1,937	1,938	1,938	2,238	2,317	2,355	2,434	2,667	2,955	3,093
144"	1,955	1,956	1,956	2,275	2,354	2,392	2,472	2,704	2,956	3,094

Flocké—Opaque. For 1% open Vizela fabric, multiply price below by .88.

CLOTH WIDTH	36"	48"	60"	72"	84"	96"	108"	120"	132"	144"
HEIGHT 36"	\$1,493	\$1,613	\$1,732	\$1,810	\$1,876	\$1,910	\$2,439	\$2,822	\$2,990	\$3,150
42"	1,514	1,644	1,773	1,850	1,916	1,951	2,440	2,823	2,991	3,151
48"	1,534	1,674	1,813	1,891	1,957	1,991	2,441	2,824	2,992	3,152
54"	1,587	1,721	1,854	1,964	2,030	2,065	2,472	2,914	3,084	3,247
60"	1,607	1,751	1,895	2,005	2,071	2,159	2,528	2,915	3,085	3,248
66"	1,667	1,836	2,005	2,121	2,201	2,239	2,567	2,953	3,123	3,249
72"	1,687	1,884	2,081	2,162	2,241	2,279	2,950	3,377	3,587	3,791
78"	1,771	1,963	2,154	2,236	2,315	2,353	2,983	3,409	3,620	3,824
84"	1,791	1,993	2,195	2,276	2,355	2,393	2,984	3,410	3,621	3,825
90"	1,860	2,072	2,284	2,367	2,446	2,484	3,033	3,459	3,670	3,874
96"	1,881	2,103	2,325	2,407	2,487	2,525	3,034	3,460	3,671	3,875
108"	1,954	2,197	2,439	2,521	2,601	2,639	3,448	3,915	4,167	4,411
120"	2,122	2,341	2,559	2,642	2,721	2,759	3,487	3,916	4,168	4,412
132"	2,196	2,435	2,673	2,756	2,835	2,873	3,520	3,917	4,169	4,413
144"	2,236	2,496	2,755	2,837	2,917	2,954	3,521	3,918	4,170	4,916

LightBloc ZIP FABRICS

Sizes below black line require seams. — Sizes in green require large fascia/headbox. All others use small fascia/headbox.

SW7000—Opaque.

CLOTH WIDTH	36"	48"	60"	72"	84"	96"	108"	120"	132"	144"
HEIGHT 36"	\$1,429	\$1,453	\$1,536	\$1,682	\$1,748	\$1,782	\$1,906	\$2,208	\$2,406	\$2,515
42"	1,441	1,468	1,551	1,706	1,772	1,806	1,937	2,238	2,407	2,516
48"	1,453	1,483	1,566	1,730	1,796	1,830	1,967	2,327	2,672	2,802
54"	1,498	1,531	1,581	1,787	1,853	1,941	2,086	2,390	2,705	2,835
60"	1,510	1,546	1,596	1,848	1,927	1,965	2,116	2,421	2,706	2,836
66"	1,561	1,631	1,715	1,911	1,990	2,028	2,185	2,490	2,744	2,874
72"	1,604	1,646	1,730	1,935	2,014	2,052	2,215	2,520	2,745	2,875
78"	1,649	1,694	1,778	1,992	2,071	2,109	2,278	2,583	2,777	2,907
84"	1,661	1,709	1,794	2,016	2,095	2,133	2,308	2,613	2,917	3,043
90"	1,722	1,773	1,857	2,089	2,169	2,207	2,388	2,693	2,918	3,043
96"	1,734	1,788	1,872	2,114	2,193	2,231	2,419	2,723	3,011	3,144
108"	1,791	1,851	1,936	2,194	2,274	2,312	2,512	2,816	3,144	3,277
120"	1,942	2,009	2,010	2,281	2,361	2,399	2,611	2,877	3,345	3,478
132"	1,999	2,072	2,073	2,362	2,442	2,480	2,704	2,937	3,689	3,821
144"	2,023	2,102	2,103	2,411	2,490	2,528	2,765	2,997	3,690	3,822

SW7100—Opaque. When railroaded, SW7100 will have battens. Contact Draper for details.

CLOTH WIDTH	36"	48"	60"	72"	84"	96"	108"	120"	132"	144"
HEIGHT 36"	\$1,440	\$1,481	\$1,522	\$1,600	\$1,703	\$1,738	\$2,018	\$2,356	\$2,479	\$2,594
42"	1,453	1,495	1,536	1,613	1,722	1,756	2,019	2,357	2,480	2,595
48"	1,466	1,508	1,549	1,627	1,740	1,774	2,020	2,358	2,481	2,596
54"	1,513	1,538	1,563	1,673	1,791	1,826	2,051	2,448	2,574	2,692
60"	1,526	1,551	1,576	1,686	1,809	1,897	2,107	2,449	2,575	2,691
66"	1,578	1,619	1,659	1,775	1,917	1,955	2,318	2,678	2,679	2,920
72"	1,592	1,623	1,707	1,789	1,935	1,973	2,319	2,679	2,821	2,958
78"	1,593	1,669	1,753	1,835	1,986	2,024	2,351	2,710	2,854	2,991
84"	1,594	1,682	1,767	1,848	2,004	2,042	2,352	2,711	2,855	2,992
90"	1,595	1,745	1,829	1,911	2,073	2,110	2,401	2,760	2,904	3,267
96"	1,609	1,758	1,842	1,925	2,091	2,129	2,402	2,761	2,905	3,268
108"	1,623	1,818	1,902	1,984	2,160	2,198	2,606	2,983	3,145	3,300
120"	1,669	1,972	1,973	2,050	2,236	2,274	2,645	2,984	3,146	—
132"	1,682	2,031	2,032	2,110	2,305	2,343	2,678	2,985	3,147	—
144"	1,745	2,058	2,059	2,137	2,342	2,380	2,849	3,174	3,354	—

Soltis B92N—Opaque.

CLOTH WIDTH	36"	48"	60"	72"	84"	96"	108"	120"	132"	144"
HEIGHT 36"	\$1,493	\$1,613	\$1,732	\$1,810	\$1,876	\$1,910	\$2,439	\$2,822	\$2,990	\$3,150
42"	1,514	1,644	1,773	1,850	1,916	1,951	2,440	2,823	2,991	3,151
48"	1,534	1,674	1,813	1,891	1,957	1,991	2,441	2,824	2,992	3,152
54"	1,587	1,721	1,854	1,964	2,030	2,065	2,528	2,914	3,084	3,247
60"	1,607	1,751	1,895	2,005	2,121	2,159	2,529	2,915	3,085	3,248
66"	1,667	1,854	2,040	2,121	2,201	2,239	2,567	2,953	3,123	3,249
72"	1,718	1,900	2,081	2,162	2,241	2,279	2,950	3,377	3,587	3,791
78"	1,771	1,963	2,154	2,236	2,315	2,353	2,983	3,409	3,620	3,824
84"	1,791	1,993	2,195	2,276	2,355	2,393	2,984	3,410	3,621	3,825
90"	1,860	2,072	2,284	2,367	2,446	2,484	3,033	3,459	3,670	3,874
96"	1,881	2,103	2,325	2,407	2,487	2,525	3,034	3,460	3,671	3,875
108"	1,954	2,197	2,439	2,521	2,601	2,639	3,448	3,915	4,167	4,411
120"	2,122	2,341	2,559	2,642	2,721	2,759	3,487	3,916	4,168	4,412
132"	2,196	2,435	2,673	2,756	2,835	2,873	3,520	3,917	4,169	4,413
144"	2,236	2,496	2,755	2,837	2,917	2,954	3,521	3,918	4,170	4,414

NEW! Crank LightBloc ZIP

Sizes in green require large fascia/headbox. All others use small fascia/headbox. SQUARE HEADBOX/FASCIA ONLY.

SB9000/9100—Opaque (SB9100 sizes larger than 72" wide will have seams.)

CLOTH WIDTH		36"	48"	60"	72"	84"	96"
HEIGHT	36"	\$955	\$964	\$1,053	\$1,133	\$1,219	\$1,261
	42"	957	968	1,057	1,138	1,220	1,262
	48"	960	971	1,062	1,143	1,228	1,271
	54"	995	1,008	1,066	1,180	1,266	1,310
	60"	997	1,011	1,071	1,185	1,267	1,311
	66"	1,039	1,054	1,145	1,229	1,340	1,389
	72"	1,041	1,057	1,149	1,234	1,341	1,390
	78"	1,076	1,094	1,187	1,271	1,373	1,475
	84"	1,079	1,097	1,191	1,276	1,423	1,476

Roc-Rol—Opaque.

CLOTH WIDTH		36"	48"	60"	72"	84"	96"
HEIGHT	36"	\$984	\$1,032	\$1,115	\$1,192	\$1,258	\$1,406
	42"	991	1,044	1,127	1,204	1,270	1,407
	48"	997	1,057	1,139	1,217	1,283	1,408
	54"	1,036	1,102	1,152	1,262	1,328	1,438
	60"	1,042	1,114	1,164	1,275	1,391	1,492

Avila Twilight—Opaque.

CLOTH WIDTH		36"	48"	60"	72"	84"	96"
HEIGHT	36"	\$1,009	\$1,051	\$1,092	\$1,241	\$1,307	\$1,342
	42"	1,018	1,060	1,101	1,260	1,326	1,360
	48"	1,028	1,069	1,110	1,279	1,345	1,379
	54"	1,070	1,095	1,120	1,330	1,396	1,431
	60"	1,079	1,104	1,129	1,349	1,415	1,450
	66"	1,128	1,168	1,208	1,407	1,473	1,561
	72"	1,137	1,178	1,218	1,462	1,542	1,580

Flocké—Opaque. For 1% open Vizela fabric, multiply price below by .88.

CLOTH WIDTH		36"	48"	60"	72"	84"	96"
HEIGHT	36"	\$1,093	\$1,213	\$1,332	\$1,410	\$1,476	\$1,510
	42"	1,114	1,244	1,373	1,450	1,516	1,551
	48"	1,134	1,274	1,413	1,491	1,557	1,591
	54"	1,187	1,321	1,454	1,564	1,630	1,665
	60"	1,207	1,351	1,495	1,605	1,671	1,759

SW7000—Opaque.

CLOTH WIDTH		36"	48"	60"	72"	84"	96"
HEIGHT	36"	\$1,029	\$1,053	\$1,136	\$1,282	\$1,348	\$1,382
	42"	1,041	1,068	1,151	1,306	1,372	1,406
	48"	1,053	1,083	1,166	1,330	1,396	1,430
	54"	1,098	1,131	1,181	1,387	1,453	1,541
	60"	1,110	1,146	1,196	1,448	1,527	1,565

SW7100—Opaque. When railroded, SW7100 will have battens. Contact Draper for details.

CLOTH WIDTH		36"	48"	60"	72"	84"	96"
HEIGHT	36"	\$1,040	\$1,081	\$1,122	\$1,200	\$1,303	\$1,338
	42"	1,053	1,095	1,136	1,213	1,322	1,356
	48"	1,066	1,108	1,149	1,227	1,340	1,374
	54"	1,113	1,138	1,163	1,273	1,391	1,426
	60"	1,126	1,151	1,176	1,286	1,409	1,497

Soltis B92N—Opaque.

CLOTH WIDTH		36"	48"	60"	72"	84"	96"
HEIGHT	36"	\$1,093	\$1,213	\$1,332	\$1,410	\$1,476	\$1,510
	42"	1,114	1,244	1,373	1,450	1,516	1,551
	48"	1,134	1,274	1,413	1,491	1,557	1,591
	54"	1,187	1,321	1,454	1,564	1,630	1,665
	60"	1,207	1,351	1,495	1,605	1,721	1,759

Skylight FlexShade®—Motorized

Motorized Skylight FlexShades®

The system includes a Motorized FlexShade® complete with two aluminum roller boxes, side support flanges and fabric support system.

• Operating Mechanism

The tubular gearmotor is mounted on the right hand side (standard). Left side is also available.

• Controls

Motor and control options begin on page 22.

• Hardware

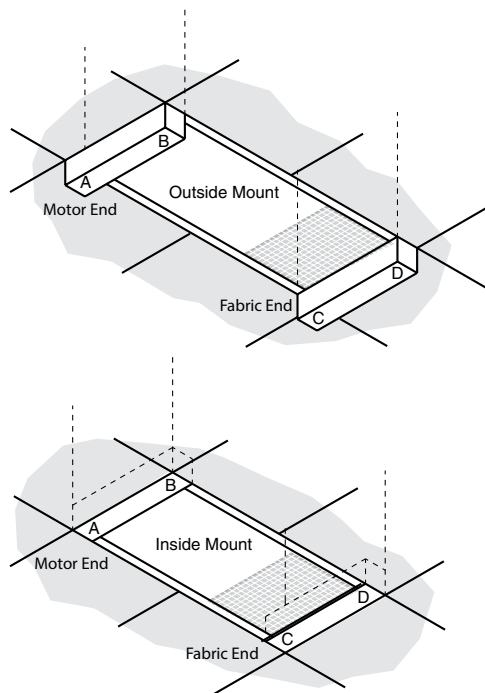
Headbox styles are available for ceiling or wall installation. Hardware finish choices are: **Clear anodized (standard)**, ivory, charcoal bronze, white and black available. For more details, contact Draper.

• Large Sizes

Due to the force of gravity, Skylight FlexShades® are available to a maximum unsupported width of 36". Larger units require one or more support cables, up to a maximum of 6' wide x 8' long. Cables are 3/16" diameter vinyl clad aircraft cable. Draper will automatically provide, depending on overall size. Cables can be seen from inside room.

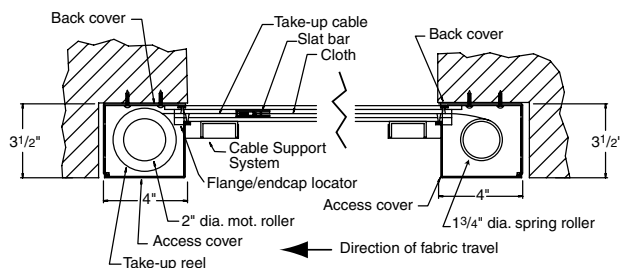
Operator Locations

Choose location A, B, C or D. For motorized units, Draper supplies 6' motor lead wire. Indicate additional lead if required, up to 24' total.



Dimensions & Installation

Recess all components into the skylight opening (below right). With outside mount installation (at left), separate header bars must be attached at both ends to house the support cable system. With outside installation, fabric stay pockets are visible from inside the room on all sizes of Skylight FlexShades®. Dimensions shown are for Skylight FlexShades® with small hardware. Some fabrics and sizes may require large hardware. Contact Draper if you need more information.



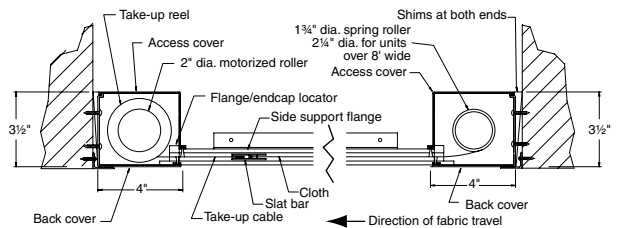
SB9000/9100—Opaque.

UNIT WIDTH	36"	48"	60"	72"
HEIGHT 36"	\$1,281	\$1,354	\$1,410	\$1,469
HEIGHT 48"	1,327	1,407	1,466	1,530
HEIGHT 60"	1,367	1,451	1,511	1,576
HEIGHT 72"	1,420	1,507	1,569	1,637
HEIGHT 84"	1,462	1,552	1,615	1,683
HEIGHT 96"	1,502	1,598	1,664	1,735

Mesh Fabrics

UNIT WIDTH	36"	48"	60"	72"
HEIGHT 36"	\$1,329	\$1,409	\$1,460	\$1,589
HEIGHT 48"	1,388	1,476	1,530	1,686
HEIGHT 60"	1,441	1,535	1,588	1,765
HEIGHT 72"	1,507	1,606	1,660	1,864
HEIGHT 84"	1,551	1,654	1,708	1,929
HEIGHT 96"	1,613	1,726	1,781	2,030

PLEASE NOTE: Refer to fabric multipliers on page 48 to figure prices for Draper mesh fabrics. Not all fabrics are available in all sizes. Contact Draper for details.

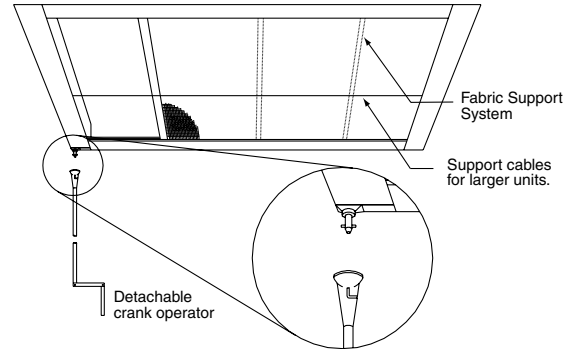


STANDARDS

- Two aluminum roller boxes
- Side support flanges
- Fabric support system
- Internal headbox light seals
- Please specify crank length: standard 6'
- Due to the force of gravity, Skylight FlexShades® are available to a maximum unsupported width of 36". Larger units require one or more support cables, up to a maximum of 6' wide x 8' long. Cables are 3/16" diameter vinyl clad aircraft cable. Draper will automatically provide, depending on overall size. Cables can be seen from inside room.

OPTIONS

- Choice of fabric and detachable crank/gearbox operating mechanism.
- Headbox styles are available for ceiling or wall installation
- Hardware finish choices are: **Clear anodized (standard)**, ivory, charcoal bronze, white and black available.



SB9000/9100—Opaque.

UNIT WIDTH		36"	48"	60"	72"
HEIGHT	36"	\$935	\$1,008	\$1,064	\$1,123
	48"	981	1,061	1,120	1,184
	60"	1021	1,105	1,165	1,230
	72"	1,074	1,161	1,223	1,291
	84"	1,116	1,206	1,270	1,337
	96"	1,156	1,252	1,318	1,389

Mesh Fabrics

UNIT WIDTH		36"	48"	60"	72"
HEIGHT	36"	\$983	\$1,063	\$1,114	\$1,220
	48"	1042	1,130	1,184	1,306
	60"	1,095	1,189	1,242	1,377
	72"	1,161	1,260	1,314	1,464
	84"	1,205	1,308	1,362	1,523
	96"	1,267	1,380	1,435	1,613

PLEASE NOTE: Refer to fabric multipliers on page 48 to figure prices for Draper mesh fabrics. Not all fabrics are available in all sizes. Contact Draper for details.

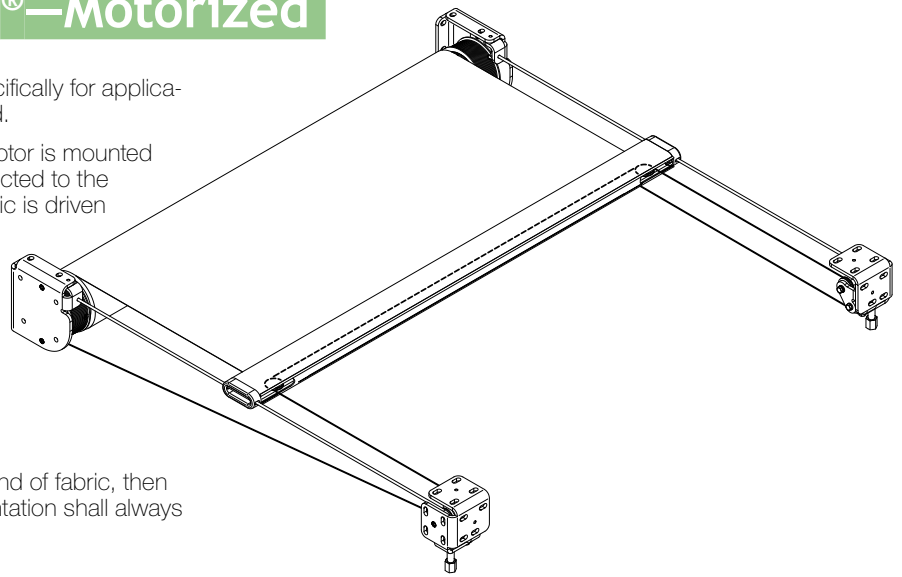


Skylight 2 FlexShade®—Motorized

Draper's Skylight 2 FlexShade® is designed specifically for applications where a very large Skylight shade is needed.

Skylight 2 is simple and elegant. A tubular gearmotor is mounted at one end of your Skylight 2 FlexShade®, connected to the opposite end by steel fabric support cables. Fabric is driven by the motor and draw cables. The included Spring Assist cassette helps provide maximum tension.

Skylight 2 can be installed in several orientations: incline-up, incline-down, vertical-up, vertical-down, or horizontal (see illustrations below).



• Fabric Attachment

Fabric retainers slide into 3/4" pockets at each end of fabric, then fit into roller extrusion and hem bar. Fabric orientation shall always be from the top (back) of roller.

• Hardware

5 1/16" x 5 1/16" fabric/roller end caps come complete with motor adapter bracket. White powder coat finish. Draw Cable/Guide Cable brackets are provided with pulley assemblies. Hem Bar provides an attachment point for the shade fabric, with built-in pulley assemblies for routing of Draw Cable.

Guide cables are 3/16" 7x19 strand, galvanized, non-coated steel cable with 3/16" copper Nicopress Stop. Draw Cables are 1/16" O.D., 7x7 strand wire rope. Cables are low-stretch, high-fatigue, and nylon coated.

Horizontal spring steel stays, .005" thick x 1" wide, are installed at regular intervals and covered. This system enables the shade to withstand reasonable air pressure differentials and gravity.

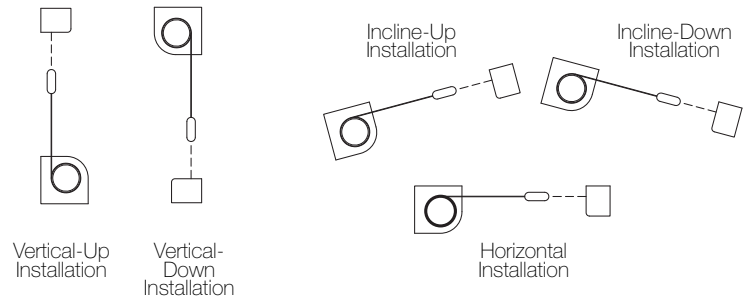
• Motor

Conventional or RTS available.

• Controls

Control options begin on page 18.

SHIPPING NOTE: Skylight 2 FlexShades less than 7' wide are carton packed for shipment. Sizes from 7'-12' are shipped with corner guards. Sizes 12' and greater are crated for shipment. Large sizes may require special handling consideration.



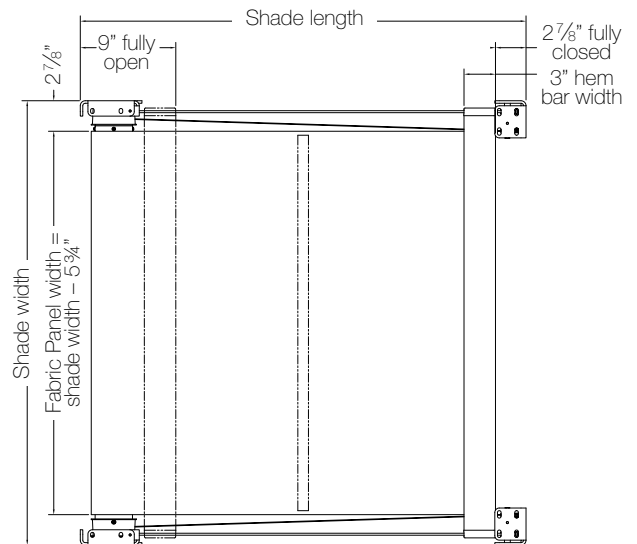
Sizes to the right of thin black line require seams.

SB9000 and SB9100—Opaque.

UNIT WIDTH	48"	72"	96"	120"	144"	156"
HEIGHT 48"	\$2,405	\$2,507	\$2,640	\$2,754	\$2,869	\$2,945
72"	2,437	2,541	2,747	2,892	3,029	3,129
96"	2,472	2,581	2,768	2,905	3,044	3,145
120"	2,507	2,622	2,783	2,920	3,060	3,158
144"	2,541	2,662	2,903	3,066	3,231	3,355
168"	2,577	2,700	2,917	3,082	3,246	3,371
192"	2,611	2,741	2,933	3,096	3,260	—
216"	2,647	2,780	3,052	3,241	—	—
240"	2,683	2,819	3,068	—	—	—

Mesh Fabrics

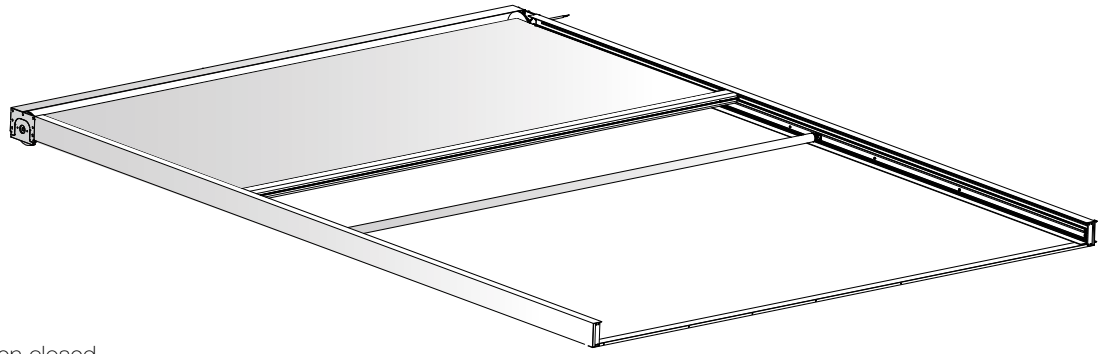
UNIT WIDTH	48"	72"	96"	120"	144"	156"
HEIGHT 48"	\$2,512	\$2,601	\$2,757	\$3,021	\$3,188	\$3,314
72"	2,580	2,667	2,835	3,425	3,667	3,868
96"	2,651	2,739	2,933	3,441	3,681	3,883
120"	2,725	2,812	3,023	3,456	3,697	3,899
144"	2,796	2,884	3,114	3,870	4,186	4,466
168"	2,868	2,955	3,206	3,883	4,202	4,480
192"	2,939	3,028	3,298	3,899	4,217	—
216"	3,012	3,101	3,389	4,312	—	—
240"	3,438	3,526	3,712	—	—	—



PLEASE NOTE: Refer to fabric multipliers beginning on page 48 to figure prices for Draper mesh fabrics. Not all fabrics are available in all sizes. Contact Draper for details.

Skylight 3 FlexShade® – Motorized

Skylight 3 FlexShade® is ideal for applications where a narrow Skylight shade is needed. In addition to its 35" minimum width, Skylight 3 can extend out to 20' in length. This means that not only can it fit into a tighter space, but it extends out further than any other model of SkyLight. It also features zero light gaps which helps block out even more light when closed.



Skylight 3 does not use an exposed cable, but rather operates inside a 2" wide channel. Construction includes a tubular gearmotor mounted at one end of the Skylight 3 FlexShade®, connected to the opposite end by steel fabric support cables. Fabric is driven by the motor and draw cables. The included Spring Packs help provide maximum tension. In order to prevent sagging, relieving rollers are spaced along the run of the Skylight 3. Intervals vary depending on length of opening. See Draper for details.

Please Note: Skylight 3 can be installed horizontally with jamb mount only. Face mounting is not applicable.



• Fabric Attachment

Fabric retainer slides into a pocket at each dowel end of fabric, then the spline attaches to the roller extrusion. Fabric orientation shall always be from the top (back) of roller.

• Hardware

6 1/4" OD pulley with 3 1/2" OD roller. White powder coat finish on side channels. Draw Cable brackets are provided with pulley assemblies. Hem Bar provides an attachment point for the shade fabric, with built-in pulley assembly.

1 1/2" round, horizontal relieving rollers are installed at regular intervals and covered. This system enables the shade to withstand reasonable air pressure differentials and gravity.

Skylight 3 can also be ordered without side channel trim if requested. Note: This may allow a light gap. Please contact Draper for details and pricing.

• Motor

Conventional or RTS available. Optional left or right mount. Please specify at time of order.

• Controls

Control options begin on page 18.

Sizes to the right of thin black line require seams.

SB9000 and SB9100 – Opaque.

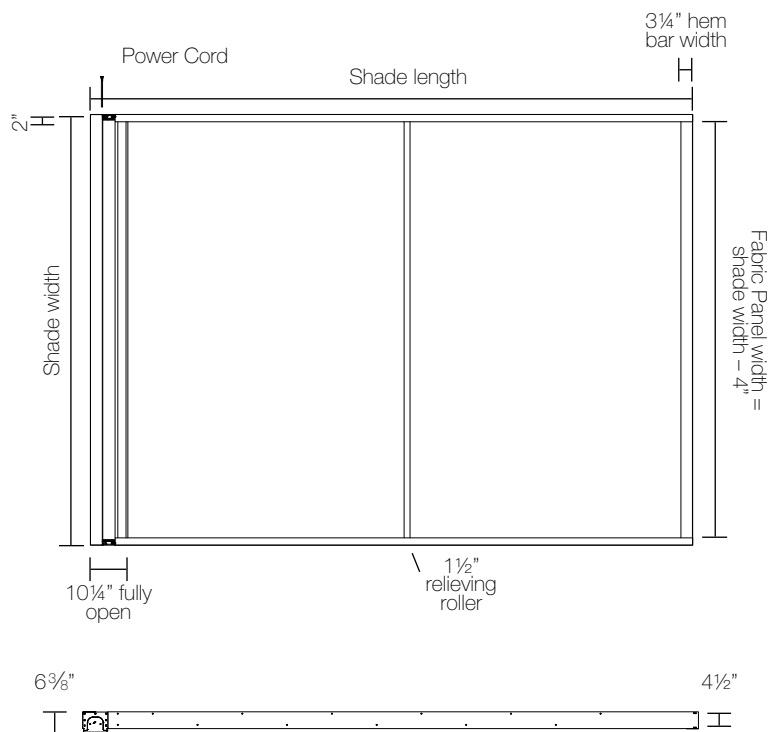
UNIT WIDTH	48"	72"	96"	120"	144"	156"
HEIGHT						
48"	\$4,309	\$4,492	\$4,730	\$4,934	\$5,140	\$5,277
72"	4,367	4,553	4,921	5,182	5,428	5,606
96"	4,429	4,625	4,959	5,205	5,453	5,634
120"	4,492	4,698	4,986	5,232	5,483	5,659
144"	4,553	4,769	5,202	5,493	5,789	6,010
168"	4,617	4,836	5,227	5,521	5,815	6,039
192"	4,678	4,911	5,255	5,548	5,842	—
216"	4,743	4,982	5,469	5,807	—	—
240"	4,806	5,051	5,498	—	—	—

Mesh Fabrics

UNIT WIDTH	48"	72"	96"	120"	144"	156"
HEIGHT						
48"	\$4,500	\$4,660	\$4,941	\$5,413	\$5,711	\$5,937
72"	4,623	4,778	5,079	6,137	6,569	6,931
96"	4,750	4,908	5,255	6,165	6,596	6,957
120"	4,882	5,039	5,416	6,191	6,624	6,985
144"	5,010	5,168	5,580	6,935	7,500	8,001
168"	5,137	5,294	5,744	6,957	7,529	8,027
192"	5,265	5,426	5,909	6,985	7,555	—
216"	5,398	5,556	6,073	7,726	—	—
240"	6,160	6,318	6,650	—	—	—

PLEASE NOTE: Refer to fabric multipliers beginning on page 48 to figure prices for Draper mesh fabrics. Not all fabrics are available in all sizes. Contact Draper for details.

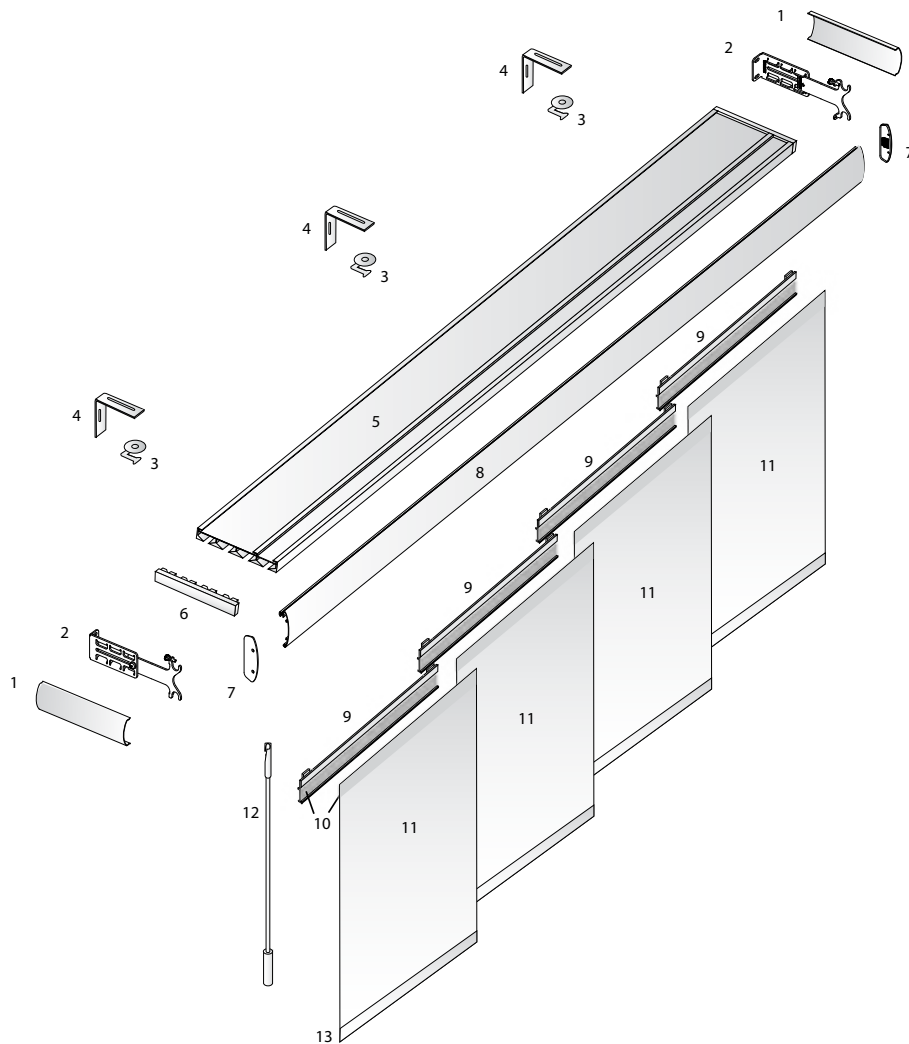
SHIPPING NOTE: Skylight 3 FlexShades less than 7' wide are carton packed for shipment. Sizes from 7'-12' are shipped with corner guards. Sizes 12' and greater are crated for shipment. Large sizes may require special handling consideration.



Panel Track

Panel Track units consist of a headrail and sliding fabric panels. Panels glide smoothly into place through the use of an operating wand. Panel Track is well suited to cover large windows, sliding doors or even as a room divider. Fabric panels attach to sliding headrail hook bars using Velcro® and may be easily replaced or changed for a different look.

- Minimum total track width is 48"
- Maximum total track width is 144"
- Minimum single panel width is 10"
- Maximum single panel width is 74"
- Add 1" for end caps on inside mount headrail measurements.
- Fabric width equals total width of headrail plus 2" for each overlap (front panel on split draw configurations creates two overlaps).
Fascia is 3" wider than headrail.



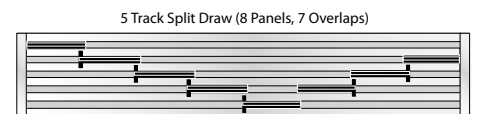
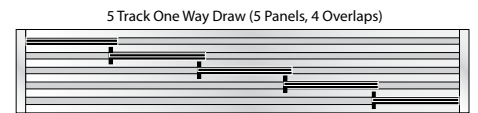
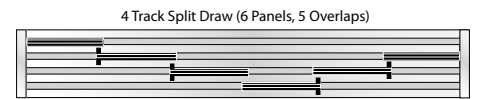
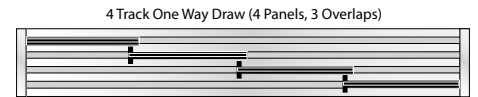
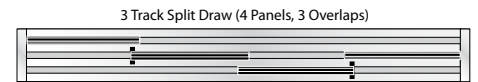
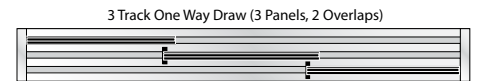
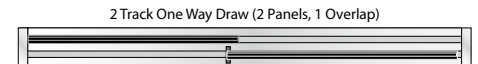
Components:

- | | |
|---------------------------------------------------|--------------------------------------|
| 1. Side Bracket Cover | 7. Fascia End Cap |
| 2. Adjustable Fascia Side Bracket | 8. Curved Front Fascia Panel |
| 3. Top Fix Tumbuckle Bracket | 9. Headrail Hook Bar |
| 4. Face Fix Bracket | 10. Velcro Attachment Strips |
| 5. Headrail (2, 3, 4 & 5 track options available) | 11. Shade Fabric Panel |
| 6. Headrail End Cap | 12. Aluminum Control Wand (standard) |
| | 13. Bottom Hem/Slat Bar |

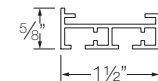
OPTIONS

- White aluminum operating wand available in 36", 48", or 60" lengths.
- Optional front curved fascia panel available in ivory, bronze, white, black or clear anodized finish.
- White headrail available with 2 to 5 tracks.
- One way or split draw operation (see below for configuration options).
- Stacked panels on left side (as you're facing from inside) is standard. Stacked right is an option that must be requested at time of order.
- Available with 2 to 8 fabric panels.
- May be used with or without optional fascia or may be layered with other window coverings.

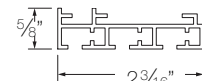
Configuration Options:



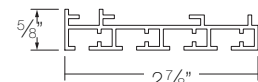
2 Channel



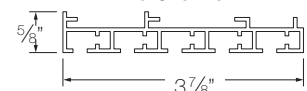
3 Channel



4 Channel



5 Channel



Panel Track Fabrics

Curved Front Fascia Prices for Panel Track (all fabrics)

CLOTH WIDTH	48"	60"	72"	84"	96"	108"	120"	132"	144"
Front Fascia	\$83	\$95	\$108	\$121	\$133	\$145	\$158	\$170	\$183
Fabric Wrapped Front Fascia	139	155	168	185	196	219	231	250	263

SW7000—Opaque.

TOTAL WIDTH	48"	60"	72"	84"	96"	108"	120"	132"	144"
HEIGHT 48"	\$419	\$473	\$516	\$573	\$625	\$667	\$762	\$803	\$861
60"	433	485	529	593	646	689	781	824	879
72"	449	498	543	611	677	713	800	845	898
84"	468	513	561	628	686	735	818	866	914
96"	480	525	575	646	706	758	838	889	931
108"	494	538	592	664	727	781	858	909	949
120"	510	551	605	682	747	803	877	931	967

SW5000—Mesh.

TOTAL WIDTH	48"	60"	72"	84"	96"	108"	120"	132"	144"
HEIGHT 48"	\$333	\$375	\$409	\$454	\$496	\$529	\$605	\$638	\$684
60"	345	385	420	470	514	547	619	655	697
72"	355	397	431	484	529	565	636	671	712
84"	372	406	446	498	545	583	650	688	726
96"	381	417	458	514	561	602	667	706	739
108"	393	427	469	527	576	619	682	722	755
120"	405	437	481	541	594	638	695	739	767

Mesh Fabrics

TOTAL WIDTH	48"	60"	72"	84"	96"	108"	120"	132"	144"
HEIGHT 48"	\$308	\$348	\$378	\$421	\$459	\$491	\$561	\$591	\$634
60"	318	356	388	436	475	506	573	605	646
72"	330	366	400	449	499	524	589	620	659
84"	343	376	411	461	504	540	602	637	672
96"	352	385	424	475	519	557	616	652	684
108"	363	395	433	488	534	573	631	669	697
120"	375	405	446	501	550	591	645	684	711

Mesh Fabric Multipliers

Fabric	Open-ness Factor	Multiply Above Prices by...	Fabric	Open-ness Factor	Multiply Above Prices by...	Fabric	Open-ness Factor	Multiply Above Prices by...
SW Infinity 2	1%	1.57	SW2400	3%	1.04	E Screen	1%	1.13
PW4800	1%	1.15	SW2703	3%	0.99	Alkenz 3000/4000	1%	0.92
SW Infinity 2	3%	1.44	SW Basic	3%	0.94	Kool Black	3%	1.57
PW4600	3%	1.11	SW2900 PP*	5%	1.67	T Screen/KoolBlack	3%	1.34
PW4650	3%	1.11	SW2000	5%	1.00	M Screen	3%	1.12
PW4400	3%	1.07	SW2900	5%	1.00	T Screen*	3%	1.14
SW Infinity 2	5%	1.35	SW2705	5%	0.95	E Screen	3%	1.05
PW4500	5%	1.03	SW Basic	5%	0.87	Alkenz 3000/4000	3%	0.91
PW4550	5%	1.03	Soltis 86*	8%	1.12	SilverScreen*	4%	2.04
PW3500	5%	1.00	Soltis 88*	8%	1.16	Kool Black	5%	1.46
PW4100*	10%	0.97	SW2100*	10%	0.96	Satine*	5%	1.44
SW2500PP*	1%	1.86	SW2600*	10%	0.96	T Screen/KoolBlack	5%	1.25
SW2500	1%	1.11	SW2710	10%	0.90	M Screen	5%	1.08
SW2701	1%	1.05	Suntex Design*	10%	0.89	E Screen	5%	1.00
SW2400PP*	3%	1.76	Suntex 90*	10%	0.81	Alkenz 3000/4000	5%	0.88
Soltis 92*	3%	1.26	SW3000*	14%	0.90	E Screen	10%	0.97
Soltis 99*	3%	0.99	SW1000*	23%	0.77	Vienne*	10%	0.97
						Alkenz 3000/4000	10%	0.86
						Natte*	12%	1.33

*Not available in 120" roll widths. Seaming information above is based on 120" roll goods.

FlexShade® Panels

FlexShade® Panels are fixed frames designed for sunlight filtration. Well-suited for skylights and sloped glazing in solariums or odd-shaped openings. **Custom FlexShade® Panels can be fabricated to suit your application. Please call Draper for details.**

STANDARDS

- A heavy duty extruded aluminum frame.
- A mesh fabric permanently attached to the frame.
- Up to 8 mounting clips.
- Crossbrace, when necessary. Panels over 40" in length or width will have a centered crossbrace to prevent bowing. Crossbraces are permanently attached to perimeter frame (standard) but may be specified removable for permanent installations where the panel will be held securely with permanent attachments.
- Prices in the chart below apply to rectangular panels.
- Minimum width is 1½".
- Corners other than 90° are welded.

OPTIONS

- Extruded aluminum frame. Color choices are: dark bronze, white, black, and clear anodized.
- Up to 8 mounting clips with aluminum finish are included. Additional clips are \$0.30 each.
- For gabled or triangular panels, add \$120.00 per panel.
- For 5-sided panels, add \$160.00 per panel.
- Curved/Arched panels available in limited sizes. Uses 1"x1" aluminum tube. Please contact Draper for sizes. For pricing, take overall square feet and add \$320.00.
- Crating required for every six panels on an order, or panels exceeding 60" x 60". Add \$120.00 per crate required.
- "Keeper" track available in white, bronze, or clear anodized extruded aluminum, for easy removal of panels. Order in full pieces or customer cut to length.

Part No.	Item	Price
C090.014.17	Bronze "Keeper" track, cut to size,	\$3.45/ft
C090.014.32	Bronze "Keeper" track, cut to size,	3.45/ft

Mesh Fabrics

CLOTH WIDTH	18"	24"	30"	36"	42"	48"	54"	60"	66"	72"
HEIGHT 24"	\$144	\$148	\$152	\$173	\$196	\$201	\$217	\$222	\$281	\$287
30"	153	157	161	185	210	214	234	238	307	312
36"	162	166	170	198	224	228	251	254	332	337
42"	176	182	188	220	250	256	282	288	376	383
48"	185	191	197	232	264	270	298	304	401	409
54"	194	200	206	244	278	284	314	320	426	434
60"	203	209	215	257	292	298	330	336	451	459
66"	225	233	240	286	325	332	368	382	476	484
72"	236	243	251	300	340	348	387	401	501	510
78"	246	254	262	314	356	364	405	420	526	535
84"	262	272	281	339	386	396	441	457	572	582
90"	272	282	292	353	402	412	460	476	597	607
96"	283	293	303	367	418	428	478	495	622	633
102"	303	315	326	394	452	463	517	535	669	681
108"	303	314	324	395	450	460	516	533	672	683
114"	325	337	348	423	485	497	556	574	721	733
120"	324	335	346	423	482	492	553	570	722	734
126"	353	367	381	464	534	548	614	634	795	810

Mesh Fabric Multipliers

Fabric	Open-ness Factor	Multiply Above Prices by...
SW Infinity 2	1%	1.57
PW4800	1%	1.15
SW Infinity 2	3%	1.44
PW4600	3%	1.11
PW4650	3%	1.11
PW4400	3%	1.07
SW Infinity 2	5%	1.35
PW4500	5%	1.03
PW4550	5%	1.03
PW3500	5%	1.00
PW4100*	10%	0.97
SW2500PP*	1%	1.86
SW2500	1%	1.11
SW2701	1%	1.05
SW2400PP*	3%	1.76
Soltis 92*	3%	1.26
Soltis 99*	3%	0.99

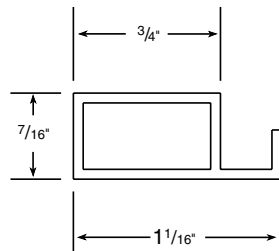
Fabric	Open-ness Factor	Multiply Above Prices by...
SW2400	3%	1.04
SW2703	3%	0.99
SW Basic	3%	0.94
SW2900 PP*	5%	1.67
SW2000	5%	1.00
SW2900	5%	1.00
SW2705	5%	0.95
SW Basic	5%	0.87
Soltis 86*	8%	1.12
Soltis 88*	8%	1.16
SW2100*	10%	0.96
SW2600*	10%	0.96
SW2710	10%	0.90
Suntex Design*	10%	0.89
Suntex 90*	10%	0.81
SW3000*	14%	0.90
SW1000*	23%	0.77

Fabric	Open-ness Factor	Multiply Above Prices by...
E Screen	1%	1.13
Alkenz 3000/4000	1%	0.92
Kool Black	3%	1.57
T Screen/KoolBlack	3%	1.34
M Screen	3%	1.12
T Screen*	3%	1.14
E Screen	3%	1.05
Alkenz 3000/4000	3%	0.91
SilverScreen*	4%	2.04
Kool Black	5%	1.46
Satine*	5%	1.44
T Screen/KoolBlack	5%	1.25
M Screen	5%	1.08
E Screen	5%	1.00
Alkenz 3000/4000	5%	0.88
E Screen	10%	0.97
Vienne*	10%	0.97
Alkenz 3000/4000	10%	0.86
Natte*	12%	1.33

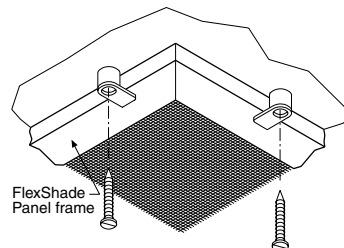
*Not available in 120" roll widths.

Not all fabrics compatible with every configuration. Please contact Draper for details.

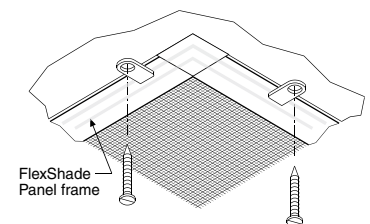
FlexShade® Panel Frame Cross-Section



Optional Face Mounting (shown with welded corner - non 90°)



Standard Inside Mounting (shown with non-welded corner - 90°)



Motorized Bottom-Up FlexShade®

Unlike traditional Shades, Draper's patent pending Bottom-Up FlexShade® provides privacy without eliminating natural daylight. Draper's new Bottom-Up FlexShade® utilizes natural daylighting to its fullest extent, while protecting work surfaces near the windows from harsh glare and excess heat. The shade rises from a roller at the bottom of the unit. It blocks the sun's rays at the bottom of the window, while allowing daylight to pass comfortably above people and objects adjacent to the window. By reducing glare and heat, the Bottom-Up FlexShade® promotes a comfortable work or living environment.

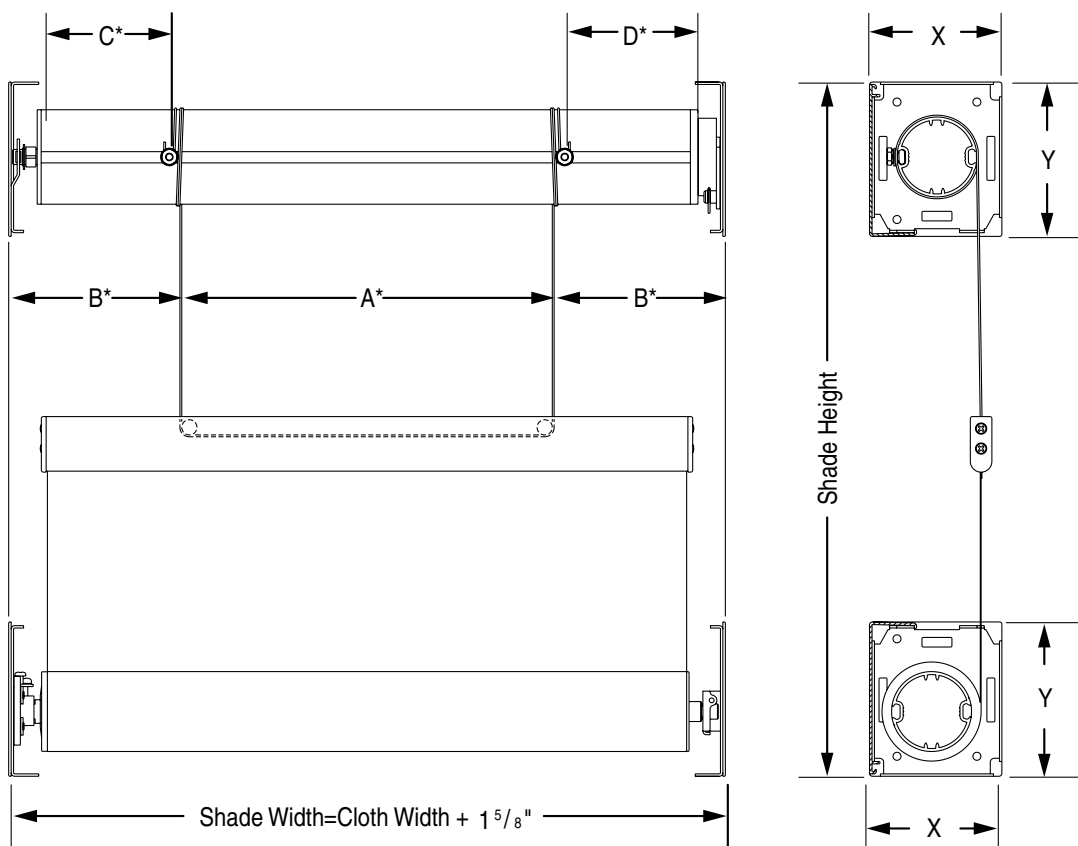
The draw cables that lift the shade fabric are under even and constant tension, allowing for easy operation. This lifts the shade fabric evenly and securely.

STANDARDS

- Metal tube, with tubular gearmotor — **right side motor standard**; left side available (as seen from inside the room, facing the window).
- Hembar is machine extruded aluminum, finished to match fascia.
- Lifting Cable is 7x19 strand low-stretch high fatigue nylon-coated cable approximately 0.046" OD.

OPTIONS

- Choice of brackets for inside, outside or ceiling mounting (square or radius fascia or headbox with end caps available in place of brackets in two sizes). **Fabric wrapped fascia also available** — Call for details.
- Hardware finish for fascia or headbox: Clear Anodized (**standard**), black, white, ivory, or bronze powder coat finish available.
- Reverse roll (waterfall) available upon request.
- Motors, Controls & Accessories beginning on page 22.



- * These dimensions are different for each shade and are provided by Draper with your order.
 Dimension "A" is the vertical cable spacing.
 Dimension "B" is the distance from the vertical cable spacing to the vertical edge of the shade.
 Dimension "C" is the distance from the idler-end of the tube to the center of the cable attachment stud.
 Dimension "D" is the distance from the operator-end of the tube to the center of the cable attachment stud.

Dimension	Large Hardware	Small Hardware
X***	4 ¹¹ / ₁₆ "	3 ⁷ / ₁₆ "
Y***	4 ¹¹ / ₁₆ "	3 ¹⁵ / ₁₆ "

***These dimensions are for the Endcap Covers.
 Endcap, fascia or headbox dimensions fall within this dimension.

Motorized Bottom-Up FlexShade® Fabrics

Headbox/Fascia Prices for Motorized Bottom-Up FlexShades® (all fabrics)

CLOTH WIDTH	31"	36"	42"	45"	48"	54"	60"	63"	72"	84"	93"	108"	120"	132"	144"	156"	168"
3 7/8" Sm. Radius Fascia	\$32	\$34	\$36	\$37	\$38	\$40	\$43	\$44	\$47	\$51	\$57	\$64	\$68	\$73	\$78	\$83	\$87
3 7/8" Sm. Square Fascia	32	34	36	37	38	40	43	44	47	51	57	64	68	73	78	83	87
4 5/8" Lg. Radius Fascia	39	41	43	45	48	51	54	55	60	66	72	84	90	96	102	107	113
4 5/8" Lg. Square Fascia	39	41	43	45	48	51	54	55	60	66	72	84	90	96	102	107	113
3 15/16" Sm. Headbox	75	78	86	87	92	98	102	107	116	128	142	152	164	176	188	200	212
4 11/16" Lg. Headbox	90	99	105	112	114	122	135	135	148	165	184	199	215	232	249	266	283

Multiply fascia and headbox pricing above by two in order to cover both top and bottom rollers.

Pocket headbox is not recommended for use on bottom roller.

Sizes below black line require seams. — Sizes in green require large fascia/headbox. All others use small fascia/headbox.

SB9000/9100—Opaque (SB9100 sizes larger than 72" wide will have seams.)

CLOTH WIDTH	36"	45"	54"	63"	72"	84"	96"	108"	120"	132"	144"	156"	168"
36"	\$937	\$962	\$979	\$1,002	\$1,015	\$1,076	\$1,106	\$1,142	\$1,172	\$1,359	\$1,495	\$1,692	\$1,693
42"	940	966	984	1,008	1,022	1,094	1,126	1,164	1,197	1,386	1,525	1,723	1,724
48"	943	971	989	1,014	1,028	1,095	1,127	1,166	1,198	1,387	1,526	1,651	1,725
54"	946	977	995	1,022	1,035	1,096	1,128	1,167	1,357	1,388	1,527	1,663	—
60"	950	981	1,001	1,028	1,042	1,097	1,129	1,168	1,372	1,472	1,608	1,920	—
66"	953	986	1,006	1,034	1,048	1,180	1,219	1,269	1,388	1,871	1,920	1,922	—
72"	957	991	1,011	1,041	1,055	1,181	1,220	1,271	1,404	1,872	1,922	1,923	—
78"	965	1,001	1,022	1,052	1,066	1,185	1,224	1,275	1,424	1,875	1,924	1,925	—
84"	968	1,006	1,027	1,058	1,072	1,187	1,225	1,276	1,440	1,876	1,925	1,926	—
90"	972	1,011	1,032	1,066	1,079	1,188	1,226	1,277	1,455	1,877	1,926	1,927	—
96"	975	1,015	1,037	1,072	1,086	1,189	1,227	1,278	1,471	1,878	1,927	1,928	—
108"	983	1,026	1,049	1,086	1,099	1,235	1,279	1,463	1,520	1,880	1,928	1,929	—
120"	994	1,041	1,065	1,103	1,117	1,239	1,284	1,500	1,540	2,237	2,519	2,520	—
132"	1,002	1,050	1,075	1,116	1,130	1,240	1,285	1,532	1,572	2,238	2,736	2,737	—
144"	1,008	1,061	1,086	1,130	1,143	1,337	1,387	1,563	1,642	2,736	2,737	—	—
156"	1,019	1,073	1,100	1,146	1,159	1,340	1,391	1,600	1,645	2,822	2,823	—	—
168"	1,025	1,084	1,111	1,159	1,173	1,341	1,392	1,632	1,672	2,823	2,825	—	—

Avila Twilight—Opaque.

CLOTH WIDTH	36"	42"	48"	55"	59"	72"	84"	96"	110"	118"	132"	144"
36"	\$1,004	\$1,013	\$1,023	\$1,031	\$1,042	\$1,153	\$1,180	\$1,198	\$1,224	\$1,242	\$1,405	\$1,482
42"	1,015	1,025	1,034	1,044	1,053	1,177	1,203	1,222	1,247	1,266	1,406	1,483
48"	1,027	1,036	1,046	1,055	1,064	1,200	1,226	1,245	1,271	1,292	1,407	1,484
54"	1,041	1,050	1,059	1,069	1,078	1,226	1,254	1,272	1,298	1,451	1,767	1,815
60"	1,052	1,062	1,071	1,080	1,090	1,251	1,277	1,296	1,321	1,475	1,768	1,903
66"	1,065	1,073	1,083	1,092	1,100	1,274	1,301	1,319	1,345	1,500	1,769	1,904
72"	1,077	1,087	1,096	1,106	1,115	1,300	1,327	1,346	1,371	1,525	1,770	1,905
78"	1,094	1,104	1,113	1,122	1,132	1,329	1,357	1,374	1,400	1,553	1,772	1,907
84"	1,107	1,115	1,125	1,134	1,142	1,352	1,380	1,398	1,424	1,578	1,773	1,908
90"	1,119	1,129	1,138	1,148	1,157	1,380	1,406	1,425	1,450	1,602	1,774	1,909
96"	1,132	1,140	1,150	1,159	1,169	1,403	1,430	1,448	1,474	1,628	1,775	1,910
108"	1,156	1,166	1,175	1,184	1,194	1,453	1,479	1,498	1,636	1,681	1,776	1,911
120"	1,185	1,195	1,203	1,213	1,221	1,506	1,532	1,551	1,692	1,735	2,306	2,418
132"	1,211	1,219	1,229	1,238	1,247	1,556	1,582	1,601	1,741	1,784	2,307	2,419
144"	1,236	1,244	1,254	1,263	1,273	1,605	1,633	1,651	1,789	1,833	2,308	2,420
156"	1,262	1,272	1,281	1,290	1,299	1,656	1,683	1,702	1,844	1,910	2,309	2,421
168"	1,287	1,297	1,306	1,316	1,324	1,706	1,734	1,752	1,893	1,958	2,675	2,751

Flocké—Opaque. For 1% open Vizela fabric, multiply price below by .88.

CLOTH WIDTH	36"	42"	47"	54"	60"	72"	84"	94"	108"	120"	132"	144"	156"	168"
36"	\$1,140	\$1,141	\$1,151	\$1,379	\$1,388	\$1,408	\$1,436	\$1,456	\$2,060	\$2,191	\$2,480	\$2,562	\$2,706	\$3,158
42"	1,169	1,170	1,179	1,434	1,445	1,465	1,492	1,512	2,061	2,192	2,481	2,563	2,707	—
48"	1,196	1,197	1,206	1,490	1,499	1,519	1,548	1,568	2,062	2,193	2,482	2,564	2,925	—
54"	1,224	1,225	1,235	1,546	1,556	1,576	1,603	1,623	2,063	2,302	2,483	2,565	2,926	—
60"	1,253	1,262	1,263	1,602	1,612	1,632	1,660	1,679	2,064	2,303	2,545	2,576	2,941	—
66"	1,280	1,281	1,290	1,657	1,667	1,687	1,723	1,744	2,071	2,342	2,546	3,399	3,823	—
72"	1,308	1,318	1,319	1,714	1,723	1,743	1,779	1,800	2,681	3,008	3,305	3,400	3,824	—
78"	1,341	1,342	1,351	1,775	1,784	1,804	1,840	1,861	2,686	3,012	3,310	3,404	3,828	—
84"	1,368	1,369	1,379	1,830	1,840	1,860	1,895	1,916	2,687	3,014	3,311	3,405	3,829	—
90"	1,397	1,398	1,407	1,886	1,895	1,915	1,951	1,972	2,688	3,029	3,334	3,406	3,830	—
96"	1,425	1,434	1,435	1,941	1,952	1,971	2,008	2,029	2,689	3,030	3,335	3,407	3,831	—
108"	1,482	1,483	1,492	2,055	2,064	2,084	2,120	2,141	3,212	3,597	3,948	4,097	4,578	—
120"	1,542	1,544	1,553	2,171	2,181	2,201	2,237	2,258	3,342	3,603	3,953	4,101	—	—
132"	1,598	1,599	1,609	2,283	2,293	2,312	2,349	2,370	3,343	3,604	—	—	—	—
144"	1,654	1,655	1,664	2,394	2,405	2,423	2,468	2,490	3,353	3,614	—	—	—	—
156"	1,714	1,723	1,724	2,508	2,519	2,539	2,583	2,605	3,928	4,245	—	—	—	—
168"	1,769	1,779	1,780	2,621	2,630	2,650	2,694	2,716	3,929	—	—	—	—	—

Motorized Bottom-Up FlexShade® Fabrics

Headbox/Fascia Prices for Motorized Bottom-Up FlexShades® (all fabrics)

CLOTH WIDTH	31"	36"	42"	45"	48"	54"	60"	63"	72"	84"	98"	108"	120"	132"	144"	156"	168"
3 7/8" Sm. Radius Fascia	\$32	\$34	\$36	\$37	\$38	\$40	\$43	\$44	\$47	\$51	\$57	\$64	\$68	\$73	\$78	\$83	\$87
3 7/8" Sm. Square Fascia	32	34	36	37	38	40	43	44	47	51	57	64	68	73	78	83	87
4 5/8" Lg. Radius Fascia	39	41	43	45	48	51	54	55	60	66	72	84	90	96	102	107	113
4 5/8" Lg. Square Fascia	39	41	43	45	48	51	54	55	60	66	72	84	90	96	102	107	113
3 15/16" Sm. Headbox	75	78	86	87	92	98	102	107	116	128	142	152	164	176	188	200	212
4 11/16" Lg. Headbox	90	99	105	112	114	122	135	135	148	165	184	199	215	232	249	266	283

Multiply fascia and headbox pricing above by two in order to cover both top and bottom rollers.

Pocket headbox is not recommended for use on bottom roller.

Sizes below black line require seams. — Sizes in green require large fascia/headbox. All others use small fascia/headbox.

SW7000—Opaque

CLOTH WIDTH	36"	42"	47"	54"	59"	72"	84"	94"	108"	118"	132"	144"	156"	168"
36"	\$1,178	\$1,188	\$1,189	\$1,198	\$1,209	\$1,227	\$1,256	\$1,578	\$1,672	\$1,758	\$2,001	\$2,195	\$2,386	\$2,504
42"	1,211	1,212	1,221	1,232	1,241	1,261	1,289	1,579	1,673	1,759	2,002	2,196	2,387	2,505
48"	1,244	1,254	1,255	1,264	1,275	1,294	1,322	1,580	1,674	1,760	2,003	2,197	2,388	2,506
54"	1,277	1,278	1,287	1,298	1,307	1,327	1,356	1,581	1,675	1,761	2,004	2,198	2,389	—
60"	1,310	1,311	1,321	1,330	1,341	1,361	1,388	1,582	1,676	1,762	2,009	2,199	2,390	—
66"	1,343	1,344	1,355	1,364	1,373	1,393	1,422	1,583	1,677	1,763	2,091	2,200	2,391	—
72"	1,377	1,378	1,387	1,398	1,407	1,427	1,454	1,584	1,678	1,764	2,092	2,391	2,392	—
78"	1,415	1,425	1,426	1,435	1,445	1,465	1,493	1,586	1,679	1,805	2,094	2,392	2,393	—
84"	1,448	1,449	1,458	1,468	1,478	1,498	1,526	1,613	1,680	1,847	2,095	2,562	2,699	—
90"	1,482	1,491	1,492	1,502	1,511	1,531	1,559	1,914	2,046	2,167	2,454	2,563	2,700	—
96"	1,514	1,515	1,525	1,535	1,545	1,565	1,593	1,915	2,048	2,168	2,455	2,564	2,701	—
108"	1,582	1,592	1,593	1,602	1,613	1,632	1,660	1,916	2,049	2,169	—	—	—	—
120"	1,654	1,663	1,664	1,674	1,683	1,703	1,731	1,920	2,063	2,313	—	—	—	—
132"	1,720	1,721	1,730	1,740	1,750	1,769	1,798	2,200	2,366	2,659	—	—	—	—
144"	1,786	1,787	1,797	1,806	1,817	1,836	1,864	2,201	2,367	2,660	—	—	—	—
156"	1,855	1,856	1,866	1,876	1,886	1,906	1,933	2,203	2,369	2,662	—	—	—	—
168"	1,923	1,932	1,933	1,943	1,952	1,972	2,000	2,208	2,402	2,663	—	—	—	—

GreenScreen® Evolve—Prices below are for 1% openness.

Use multiplier below to calculate price for other openness factors.

CLOTH WIDTH	36"	42"	48"	54"	59"	72"	84"	94"	108"	118"	132"	144"	156"	168"
36"	\$1,037	\$1,047	\$1,057	\$1,067	\$1,076	\$1,187	\$1,214	\$1,234	\$1,260	\$1,911	\$1,912	\$1,987	\$2,183	\$2,374
42"	1,049	1,059	1,069	1,079	1,089	1,211	1,238	1,258	1,284	1,912	1,913	1,988	2,184	2,375
48"	1,062	1,071	1,082	1,091	1,100	1,235	1,262	1,282	1,308	1,913	1,914	1,989	2,185	2,010
54"	1,073	1,084	1,093	1,103	1,113	1,259	1,286	1,306	1,332	1,914	1,915	1,990	2,186	2,255
60"	1,086	1,095	1,105	1,115	1,125	1,283	1,311	1,330	1,357	1,915	1,916	1,991	2,187	2,256
66"	1,097	1,108	1,117	1,127	1,137	1,307	1,336	1,355	1,382	1,916	1,917	1,992	2,188	2,258
72"	1,110	1,119	1,129	1,139	1,149	1,331	1,360	1,378	1,405	1,917	1,918	1,993	2,189	2,259
78"	1,127	1,137	1,147	1,156	1,167	1,361	1,389	1,408	1,435	1,920	1,922	1,995	2,190	2,261
84"	1,139	1,149	1,158	1,169	1,178	1,385	1,413	1,431	1,458	1,922	1,923	1,996	2,191	2,262
90"	1,151	1,161	1,171	1,180	1,191	1,409	1,437	1,455	1,483	1,923	1,924	1,997	2,192	2,263
96"	1,163	1,173	1,182	1,193	1,202	1,432	1,462	1,479	1,507	1,924	1,925	1,998	2,193	2,264
108"	1,187	1,197	1,206	1,217	1,226	1,481	1,509	1,528	1,658	1,925	1,926	2,248	2,356	2,704
120"	1,217	1,226	1,236	1,246	1,256	1,534	1,562	1,581	1,715	2,394	2,395	2,706	2,707	—
132"	1,240	1,251	1,260	1,271	1,280	1,582	1,611	1,630	1,766	2,395	2,396	2,711	2,712	—
144"	1,264	1,275	1,284	1,294	1,304	1,631	1,659	1,678	1,818	2,396	2,397	—	—	—
156"	1,293	1,303	1,311	1,321	1,331	1,683	1,710	1,729	1,874	2,485	2,486	—	—	—
168"	1,317	1,327	1,336	1,345	1,356	1,730	1,758	1,778	1,926	2,539	2,681	—	—	—

GreenScreen® Evolve: Fabric Multipliers

Fabric	Openness Factor	Multiply Above Prices by...
GreenScreen® Evolve	3%	0.99
GreenScreen® Evolve	5%	0.98
GreenScreen® Evolve	10%	0.96

GreenScreen® Revive—Prices below are for 1% openness. For 5% open fabric, multiply price below by .98.

CLOTH WIDTH	36"	42"	48"	54"	59"	72"	84"	94"	108"	118"	132"	144"	156"	168"
36"	\$998	\$1,007	\$1,016	\$1,026	\$1,035	\$1,141	\$1,168	\$1,187	\$1,212	\$1,853	\$1,854	\$1,910	\$2,114	\$2,283
42"	1,009	1,019	1,028	1,037	1,047	1,164	1,191	1,210	1,235	1,854	1,855	1,911	2,115	2,284
48"	1,021	1,030	1,040	1,049	1,058	1,188	1,214	1,233	1,258	1,855	1,856	1,912	2,116	1,932
54"	1,032	1,042	1,051	1,061	1,070	1,211	1,237	1,256	1,281	1,856	1,857	1,913	2,117	2,168
60"	1,044	1,053	1,063	1,072	1,082	1,234	1,261	1,279	1,304	1,857	1,859	1,914	2,118	2,169
66"	1,055	1,065	1,074	1,084	1,093	1,257	1,284	1,302	1,328	1,859	1,860	1,915	2,119	2,170
72"	1,067	1,076	1,086	1,095	1,105	1,280	1,307	1,325	1,351	1,860	1,861	1,916	2,120	2,171
78"	1,084	1,093	1,103	1,112	1,121	1,308	1,336	1,353	1,380	1,862	1,863	1,918	2,122	2,174
84"	1,095	1,105	1,114	1,124	1,133	1,331	1,359	1,377	1,403	1,863	1,864	1,922	2,123	2,175
90"	1,107	1,116	1,126	1,135	1,145	1,355	1,382	1,400	1,426	1,864	1,865	1,923	2,124	2,176
96"	1,118	1,128	1,137	1,147	1,156	1,378	1,405	1,423	1,449	1,865	1,866	1,924	2,125	2,177
108"	1,141	1,151	1,160	1,170	1,179	1,424	1,451	1,469	1,608	2,160	2,161	2,162	2,266	2,600
120"	1,170	1,179	1,189	1,198	1,208	1,475	1,503	1,520	1,660	2,307	2,308	2,603	2,604	—
132"	1,193	1,202	1,212	1,221	1,231	1,521	1,549	1,567	1,706	2,308	2,309	2,608	2,609	—
144"	1,216	1,225	1,235	1,244	1,254	1,568	1,595	1,614	1,752	2,309	2,310	—	—	—
156"	1,243	1,253	1,261	1,271	1,280	1,618	1,644	1,663	1,804	2,298	2,300	—	—	—
168"	1,266	1,276	1,284	1,294	1,303	1,664	1,691	1,709	1,850	2,441	2,564	—	—	—

Motorized Bottom-Up FlexShade® Fabrics

Headbox/Fascia Prices for Motorized Bottom-Up FlexShades® (all fabrics)

CLOTH WIDTH	31"	36"	42"	45"	48"	54"	60"	63"	72"	84"	98"	108"	120"	132"	144"	156"	168"
3 7/8" Sm. Radius Fascia	\$32	\$34	\$36	\$37	\$38	\$40	\$43	\$44	\$47	\$51	\$57	\$64	\$68	\$73	\$78	\$83	\$87
3 7/8" Sm. Square Fascia	32	34	36	37	38	40	43	44	47	51	57	64	68	73	78	83	87
4 5/8" Lg. Radius Fascia	39	41	43	45	48	51	54	55	60	66	72	84	90	96	102	107	113
4 5/8" Lg. Square Fascia	39	41	43	45	48	51	54	55	60	66	72	84	90	96	102	107	113
3 15/16" Sm. Headbox	75	78	86	87	92	98	102	107	116	128	142	152	164	176	188	200	212
4 11/16" Lg. Headbox	90	99	105	112	114	122	135	135	148	165	184	199	215	232	249	266	283

Multiply fascia and headbox pricing above by two in order to cover both top and bottom rollers.

Pocket headbox is not recommended for use on bottom roller.

Sizes below black line require seams. — Sizes in green require large fascia/headbox. All others use small fascia/headbox.

Group 1: Mesh Fabrics—Use multiplier below to calculate price for specific fabric.

CLOTH WIDTH	31"	42"	48"	54"	63"	72"	84"	98"	108"	120"	132"	144"	156"
36"	\$953	\$978	\$998	\$1,025	\$1,034	\$1,075	\$1,109	\$1,152	\$1,211	\$1,230	\$1,477	\$1,498	\$1,552
42"	960	985	1,007	1,036	1,046	1,089	1,124	1,169	1,233	1,252	1,507	1,509	1,570
48"	965	992	1,015	1,047	1,056	1,103	1,138	1,187	1,255	1,274	1,508	1,688	1,914
54"	970	1,000	1,024	1,058	1,068	1,116	1,153	1,203	1,277	1,441	1,596	1,917	1,918
60"	975	1,007	1,033	1,069	1,078	1,131	1,168	1,221	1,300	1,464	1,689	1,918	1,919
66"	983	1,016	1,044	1,082	1,091	1,146	1,184	1,239	1,323	1,488	1,691	1,919	1,920
72"	988	1,024	1,052	1,093	1,103	1,159	1,199	1,257	1,345	1,511	1,697	1,927	1,928
78"	1,000	1,036	1,066	1,109	1,118	1,178	1,219	1,279	1,372	1,539	—	—	—
84"	1,005	1,044	1,075	1,120	1,130	1,193	1,234	1,297	1,394	1,562	—	—	—
90"	1,010	1,051	1,084	1,132	1,140	1,206	1,248	1,314	1,418	1,586	—	—	—
96"	1,016	1,058	1,093	1,142	1,152	1,220	1,263	1,331	1,440	1,610	—	—	—
108"	1,027	1,073	1,110	1,164	1,174	1,247	1,293	1,365	1,617	1,657	—	—	—
120"	1,043	1,093	1,133	1,192	1,201	1,281	1,327	1,405	1,670	—	—	—	—
132"	1,054	1,108	1,151	1,215	1,223	1,308	1,358	1,440	1,718	—	—	—	—
144"	1,066	1,122	1,169	1,237	1,245	1,336	1,387	1,474	1,764	—	—	—	—
156"	1,079	1,140	1,190	1,262	1,272	1,367	1,420	1,536	1,819	—	—	—	—
168"	1,091	1,155	1,208	1,284	1,294	1,394	1,450	1,571	—	—	—	—	—

Large Hardware information above based on PW4400—may vary for some fabrics

Group 2: Mesh Fabrics—Use multiplier below to calculate price for specific fabric.

CLOTH WIDTH	31"	42"	48"	54"	63"	72"	84"	98"	108"	120"	132"	144"	156"
36"	\$958	\$993	\$1,004	\$1,033	\$1,043	\$1,086	\$1,131	\$1,159	\$1,226	\$1,245	\$1,488	\$1,502	\$1,557
42"	964	1,003	1,013	1,045	1,054	1,100	1,148	1,178	1,251	1,269	1,527	1,550	1,593
48"	970	1,012	1,023	1,057	1,066	1,116	1,164	1,196	1,275	1,294	1,528	1,692	1,982
54"	975	1,022	1,033	1,069	1,078	1,131	1,182	1,215	1,299	1,458	1,687	1,835	1,836
60"	982	1,031	1,043	1,082	1,090	1,146	1,200	1,234	1,323	1,484	1,780	2,024	2,025
66"	989	1,042	1,053	1,094	1,104	1,166	1,222	1,254	1,348	1,510	1,781	2,025	2,027
72"	995	1,051	1,063	1,107	1,116	1,180	1,239	1,273	1,372	1,535	—	—	—
78"	1,006	1,066	1,077	1,124	1,133	1,200	1,261	1,296	1,401	1,565	—	—	—
84"	1,012	1,075	1,087	1,135	1,145	1,219	1,279	1,315	1,425	1,590	—	—	—
90"	1,019	1,085	1,096	1,148	1,157	1,239	1,297	1,334	1,449	1,615	—	—	—
96"	1,025	1,094	1,106	1,159	1,169	1,259	1,314	1,352	1,473	1,640	—	—	—
108"	1,036	1,113	1,125	1,183	1,193	1,298	1,349	1,389	1,651	1,691	—	—	—
120"	1,053	1,137	1,149	1,213	1,221	1,343	1,388	1,431	1,707	1,747	—	—	—
132"	1,066	1,156	1,168	1,237	1,245	1,383	1,424	1,469	1,758	1,799	—	—	—
144"	1,077	1,174	1,187	1,260	1,269	1,422	1,458	1,506	1,808	—	—	—	—
156"	1,093	1,197	1,210	1,287	1,297	1,466	1,496	1,547	—	—	—	—	—
168"	1,105	1,216	1,229	1,311	1,321	1,506	1,531	1,584	—	—	—	—	—

Large Hardware information above based on Suntex Design 10%—may vary for some fabrics

Group 1: Fabric Multipliers

Fabric	Open-ness Factor	Multiply Above Prices by...
SW Infinity 2	1%	1.19
PW4800	1%	1.05
SW Infinity 2	3%	1.15
PW4600	3%	1.04
PW4650	3%	1.04
PW4400	3%	1.02
SW Infinity 2	5%	1.12
PW4500	5%	1.01
PW4550	5%	1.01
PW3500	5%	1.00
PW4100*	10%	0.99

Group 2: Fabric Multipliers

Fabric	Open-ness Factor	Multiply Above Prices by...	Fabric	Open-ness Factor	Multiply Above Prices by...
SW2500PP*	1%	1.32	SW2705	5%	0.98
SW2500	1%	1.04	SW Basic	5%	0.95
SW2701	1%	1.02	SW2100*	10%	0.99
SW2400PP*	3%	1.28	SW2600*	10%	0.99
SW2400	3%	1.02	SW2710	10%	0.96
SW2703	3%	1.00	Suntex Design*	10%	0.96
SW Basic	3%	0.98	Suntex 90*	10%	0.93
SW2900 PP*	5%	1.25	SW3000*	14%	0.97
SW2000	5%	1.00	SW1000*	23%	0.92
SW2900	5%	1.00			

*Not available in 120" roll widths. Seaming information above is based on 120" roll goods.

Motorized Bottom-Up FlexShade® Fabrics

Headbox/Fascia Prices for Motorized Bottom-Up FlexShades® (all fabrics)

CLOTH WIDTH	31"	36"	42"	45"	48"	54"	60"	63"	72"	84"	98"	108"	120"	132"	144"	156"	168"
3 7/8" Sm. Radius Fascia	\$32	\$34	\$36	\$37	\$38	\$40	\$43	\$44	\$47	\$51	\$57	\$64	\$68	\$73	\$78	\$83	\$87
3 7/8" Sm. Square Fascia	32	34	36	37	38	40	43	44	47	51	57	64	68	73	78	83	87
4 5/8" Lg. Radius Fascia	39	41	43	45	48	51	54	55	60	66	72	84	90	96	102	107	113
4 5/8" Lg. Square Fascia	39	41	43	45	48	51	54	55	60	66	72	84	90	96	102	107	113
3 15/16" Sm. Headbox	75	78	86	87	92	98	102	107	116	128	142	152	164	176	188	200	212
4 11/16" Lg. Headbox	90	99	105	112	114	122	135	135	148	165	184	199	215	232	249	266	283

Multiply fascia and headbox pricing above by two in order to cover both top and bottom rollers.

Pocket headbox is not recommended for use on bottom roller.

Sizes below black line require seams. — Sizes in green require large fascia/headbox. All others use small fascia/headbox.

Group 3: Mesh Fabrics—Use multiplier below to calculate price for specific fabric.

CLOTH WIDTH	38"	48"	60"	78"	84"	98"	108"	120"	132"	144"	156"	168"
HEIGHT 36"	\$964	\$996	\$1,030	\$1,066	\$1,127	\$1,145	\$1,202	\$1,221	\$1,476	\$1,533	\$1,534	\$1,851
42"	971	1,006	1,041	1,078	1,143	1,161	1,223	1,242	1,477	1,534	1,535	—
48"	978	1,014	1,051	1,091	1,160	1,178	1,244	1,262	1,478	1,652	1,834	—
54"	985	1,023	1,062	1,103	1,177	1,195	1,264	1,423	1,547	1,859	1,860	—
60"	991	1,031	1,072	1,115	1,194	1,212	1,285	1,444	1,639	1,860	1,861	—
66"	1,000	1,041	1,084	1,129	1,213	1,230	1,307	1,465	1,640	1,861	1,862	—
72"	1,006	1,050	1,094	1,141	1,230	1,246	1,328	1,486	1,716	1,948	1,949	—
78"	1,019	1,064	1,109	1,159	1,252	1,268	1,355	1,512	1,720	1,953	1,954	—
84"	1,025	1,072	1,119	1,172	1,268	1,285	1,376	1,533	—	—	—	—
90"	1,032	1,080	1,130	1,184	1,285	1,302	1,395	1,554	—	—	—	—
96"	1,038	1,089	1,140	1,196	1,302	1,319	1,416	1,575	—	—	—	—
108"	1,052	1,106	1,161	1,221	1,336	1,352	1,583	1,616	—	—	—	—
120"	1,071	1,129	1,194	1,251	1,374	1,390	1,630	1,662	—	—	—	—
132"	1,085	1,146	1,220	1,276	1,408	1,424	1,672	1,704	—	—	—	—
144"	1,098	1,162	1,247	1,301	1,443	1,457	1,713	1,745	—	—	—	—
156"	1,115	1,183	1,280	1,329	1,479	1,494	1,782	—	—	—	—	—
168"	1,129	1,200	1,306	1,353	1,513	1,528	1,824	—	—	—	—	—

Large Hardware information above based on Satine 5%—may vary for some fabrics

Group 3: Fabric Multipliers

Fabric	Openness Factor	Multiply Above Prices by...	Fabric	Openness Factor	Multiply Above Prices by...	Fabric	Openness Factor	Multiply Above Prices by...
E Screen	1%	1.05	E Screen	3%	1.02	M Screen	5%	1.03
Alkenz 3000/4000	1%	0.97	Alkenz 3000/4000	3%	0.97	E Screen	5%	1.00
E Screen/KoolBlack	3%	1.20	SilverScreen*	4%	1.37	Alkenz 3000/4000	5%	0.96
T Screen/KoolBlack	3%	1.12	E Screen/KoolBlack	5%	1.16	E Screen	10%	0.99
M Screen	3%	1.04	Satine*	5%	1.16	Vienne*	10%	0.99
T Screen*	3%	1.05	T Screen/KoolBlack	5%	1.09	Alkenz 3000/4000	10%	0.95
						Natte*	12%	1.12

*Not available in 120" roll widths. Seaming information above is based on 120" roll goods.

Motorized Dual Roller Bottom-Up FlexShade®

Unlike traditional Shades, Draper's patent pending Bottom-Up FlexShade® provides privacy without eliminating natural daylight. Draper's Bottom-Up FlexShade® utilizes natural daylighting to its fullest extent, while protecting work surfaces near the windows from harsh glare and excess heat. The shade rises from a roller at the bottom of the unit. It blocks the sun's rays at the bottom of the window, while allowing daylight to pass comfortably above people and objects adjacent to the window. By reducing glare and heat, the Bottom-Up FlexShade® promotes a comfortable work or living environment.

The draw cables that lift the shade fabric are under even and constant tension, allowing for easy operation. This lifts the shade fabric evenly and securely.

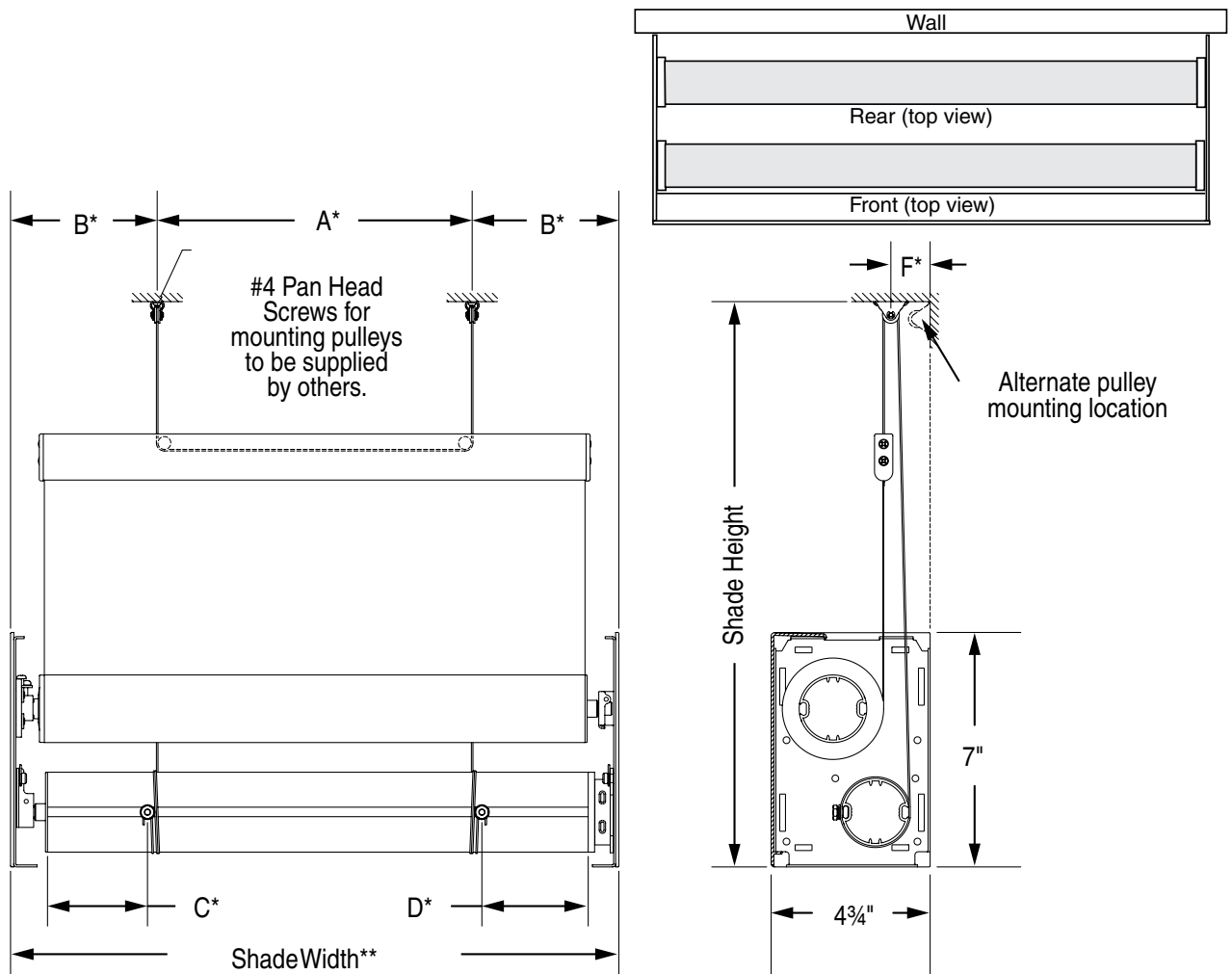
Dual roller configuration means that both the motorized and take-up rollers are located at the bottom of the window opening. The shade fabric is guided by small pulleys at the top of the window. The dual roller configuration is available with end caps or fascia.

STANDARDS

- Metal tube, with tubular gearmotor—**right side motor standard**; left side available (as seen from inside the room, facing the window).
- Hembar is machine extruded aluminum, finished to match fascia.
- Lifting Cable is 7x19 strand low-stretch high fatigue nylon-coated cable approximately 0.046" OD.

OPTIONS

- Dual fascia end caps are standard. **Fabric wrapped fascia also available**—Call for details.
- Hardware finish for fascia or headbox: **Clear Anodized (standard)**, black, white, ivory, or bronze powder coat finish available.
- Motors, Controls & Accessories beginning on page 22.



- * These dimensions are different for each shade and are provided by Draper with your order.
 Dimension "A" is the vertical cable spacing.
 Dimension "B" is the distance from the vertical cable spacing to the vertical edge of the shade.
 Dimension "C" is the distance from the idler-end of the tube to the center of the cable attachment stud.
 Dimension "D" is the distance from the operator-end of the tube to the center of the cable attachment stud.
 Dimension "F" is the distance from the wall/jamb to the center of the cable pulley.

$$\text{Shade Width} = \text{Fabric Width} + A$$

Operator	Dim A
110-220V Standard/ILT	1 3/4"
110-220V Quiet	1 15/16"

Motorized Dual Roller Bottom-Up FlexShade®

Headbox/Fascia Prices for Motorized Dual Roller Bottom-Up FlexShades® (all fabrics)

CLOTH WIDTH	31"	36"	42"	45"	48"	54"	60"	63"	72"	84"	93"
Dual Roller with Fascia ¹	\$64	\$68	\$72	\$74	\$76	\$80	\$86	\$88	\$94	\$102	\$114

¹Some height restrictions apply to Dual Roller with Fascia. Contact Draper for details.

Sizes below black line require seams.

SB9000/9100—Opaque (SB9100 sizes larger than 72" wide will have seams.)

CLOTH WIDTH	36"	45"	54"	63"	72"	84"	96"	108"	120"	132"
36"	\$946	\$972	\$990	\$1,013	\$1,028	\$1,090	\$1,120	\$1,157	\$1,189	\$1,384
42"	949	977	995	1,020	1,034	1,108	1,140	1,180	1,213	1,411
48"	952	982	1,001	1,026	1,041	1,109	1,141	1,181	1,214	1,412
54"	957	987	1,006	1,033	1,048	1,110	1,142	1,182	1,386	1,413
60"	960	991	1,011	1,040	1,054	1,111	1,143	1,183	1,402	1,508
66"	963	996	1,016	1,046	1,061	1,194	1,233	1,285	1,418	1,907
72"	967	1,002	1,023	1,053	1,068	1,195	1,234	1,286	1,433	1,908
78"	975	1,011	1,033	1,065	1,078	1,199	1,238	1,290	1,453	1,911
84"	979	1,016	1,038	1,070	1,085	1,200	1,239	1,292	1,469	1,912
90"	982	1,022	1,044	1,077	1,092	1,201	1,240	1,293	1,485	1,913
96"	985	1,026	1,049	1,084	1,098	1,202	1,241	1,294	1,500	1,914
108"	992	1,036	1,061	1,097	1,112	1,248	1,294	1,490	1,544	—
120"	1,004	1,051	1,075	1,115	1,130	1,253	1,299	1,528	1,570	—
132"	1,011	1,061	1,087	1,128	1,142	1,254	1,300	1,559	1,601	—
144"	1,019	1,071	1,097	1,141	1,156	1,349	1,402	1,591	1,665	—
156"	1,028	1,084	1,111	1,157	1,172	1,353	1,405	1,628	1,670	—
168"	1,035	1,094	1,122	1,171	1,185	1,355	1,406	1,659	1,701	—

Avila Twilight—Opaque.

CLOTH WIDTH	36"	42"	48"	55"	59"	72"	84"	96"	110"	118"	132"	144"
36"	\$1,013	\$1,024	\$1,033	\$1,043	\$1,053	\$1,166	\$1,194	\$1,213	\$1,239	\$1,428	\$1,509	\$2,071
42"	1,026	1,035	1,045	1,054	1,065	1,190	1,217	1,237	1,263	1,429	1,510	2,095
48"	1,037	1,047	1,056	1,067	1,075	1,213	1,240	1,260	1,286	1,430	1,511	2,120
54"	1,051	1,061	1,070	1,079	1,090	1,239	1,267	1,286	1,314	1,790	1,842	2,144
60"	1,063	1,072	1,082	1,092	1,101	1,263	1,290	1,310	1,337	1,791	1,935	2,168
66"	1,074	1,084	1,093	1,104	1,112	1,286	1,315	1,334	1,360	1,792	1,936	2,193
72"	1,088	1,097	1,107	1,116	1,127	1,314	1,341	1,361	1,387	1,793	1,937	2,218
78"	1,105	1,114	1,124	1,134	1,143	1,342	1,369	1,389	1,415	1,794	1,940	2,248
84"	1,116	1,126	1,135	1,146	1,154	1,365	1,393	1,412	1,439	1,795	1,941	2,272
90"	1,130	1,139	1,149	1,158	1,169	1,392	1,420	1,440	1,466	1,796	1,942	2,296
96"	1,141	1,151	1,160	1,171	1,180	1,415	1,444	1,463	1,489	1,797	1,943	2,322
108"	1,167	1,176	1,185	1,196	1,205	1,466	1,493	1,513	1,663	1,798	1,944	2,371
120"	1,195	1,204	1,215	1,224	1,234	1,518	1,546	1,566	1,718	2,329	2,450	2,454
132"	1,220	1,230	1,240	1,250	1,259	1,569	1,596	1,616	1,767	—	—	—
144"	1,245	1,255	1,264	1,275	1,284	1,618	1,646	1,665	1,817	—	—	—
156"	1,273	1,282	1,292	1,301	1,310	1,668	1,697	1,716	1,871	—	—	—
168"	1,298	1,307	1,317	1,326	1,337	1,719	1,747	—	—	—	—	—

Flocké—Opaque. For 1% open Vizela fabric, multiply price below by .88.

CLOTH WIDTH	36"	42"	47"	54"	60"	72"	84"	94"	108"	120"	132"
36"	\$1,152	\$1,153	\$1,163	\$1,392	\$1,403	\$1,424	\$1,453	\$1,473	\$2,077	\$2,209	\$2,508
42"	1,180	1,181	1,192	1,449	1,460	1,481	1,509	1,530	2,078	2,210	2,510
48"	1,209	1,218	1,219	1,505	1,515	1,536	1,565	1,586	2,079	2,211	2,511
54"	1,236	1,237	1,247	1,561	1,571	1,592	1,621	1,641	2,080	2,330	2,512
60"	1,264	1,265	1,276	1,617	1,628	1,649	1,677	1,698	2,081	2,331	2,581
66"	1,293	1,302	1,303	1,673	1,683	1,704	1,741	1,763	2,087	2,368	2,582
72"	1,320	1,321	1,331	1,729	1,739	1,760	1,798	1,820	2,704	3,040	3,344
78"	1,353	1,355	1,365	1,790	1,801	1,822	1,859	1,881	2,709	3,045	—
84"	1,382	1,391	1,392	1,846	1,856	1,876	1,914	1,936	2,710	3,046	—
90"	1,409	1,410	1,421	1,902	1,912	1,933	1,971	1,993	2,711	3,059	—
96"	1,437	1,439	1,449	1,958	1,969	1,990	2,027	2,049	2,712	3,060	—
108"	1,495	1,505	1,506	2,072	2,082	2,103	2,140	2,162	3,238	3,632	—
120"	1,556	1,557	1,567	2,188	2,199	2,220	2,258	2,280	3,375	—	—
132"	1,612	1,613	1,623	2,301	2,311	2,332	2,370	2,392	3,376	—	—
144"	1,668	1,678	1,679	2,413	2,423	2,444	2,490	2,513	3,385	—	—
156"	1,727	1,728	1,739	2,528	2,539	2,559	2,605	2,628	—	—	—

Motorized Dual Roller Bottom-Up FlexShade®

Headbox/Fascia Prices for Motorized Dual Roller Bottom-Up FlexShades® (all fabrics)

CLOTH WIDTH	31"	36"	42"	45"	48"	54"	60"	63"	72"	84"	98"
Dual Roller with Fascia ¹	\$64	\$68	\$72	\$74	\$76	\$80	\$86	\$88	\$94	\$102	\$114

¹Some height restrictions apply to Dual Roller with Fascia. Contact Draper for details.

Sizes below black line require seams.

SW7000—Opaque

CLOTH WIDTH	36"	42"	47"	54"	59"	72"	84"	94"	108"	118"	132"
HEIGHT 36"	\$1,189	\$1,198	\$1,199	\$1,210	\$1,220	\$1,241	\$1,269	\$1,593	\$1,687	\$1,775	\$2,028
42"	1,221	1,222	1,233	1,243	1,254	1,274	1,303	1,594	1,688	1,776	2,029
48"	1,255	1,264	1,265	1,276	1,286	1,307	1,336	1,595	1,689	1,777	2,030
54"	1,287	1,288	1,299	1,309	1,320	1,340	1,369	1,596	1,691	1,778	2,031
60"	1,321	1,322	1,332	1,342	1,352	1,373	1,403	1,597	1,692	1,779	2,125
66"	1,353	1,355	1,365	1,376	1,386	1,406	1,435	1,598	1,693	1,780	2,126
72"	1,387	1,388	1,399	1,408	1,419	1,440	1,469	1,599	1,694	1,788	2,127
78"	1,426	1,435	1,436	1,447	1,457	1,478	1,507	1,600	1,695	1,834	2,129
84"	1,458	1,460	1,470	1,479	1,490	1,511	1,540	1,631	1,696	1,875	2,130
90"	1,492	1,502	1,503	1,513	1,524	1,545	1,573	1,929	2,063	2,185	2,480
96"	1,525	1,526	1,536	1,547	1,556	1,577	1,607	1,930	2,064	2,186	2,481
108"	1,593	1,602	1,603	1,614	1,624	1,645	1,674	1,931	2,065	—	—
120"	1,664	1,674	1,675	1,685	1,696	1,717	1,745	1,936	2,090	—	—
132"	1,730	1,731	1,741	1,751	1,762	1,783	1,812	2,214	2,349	—	—
144"	1,797	1,798	1,808	1,818	1,828	1,849	1,878	2,216	2,350	—	—
156"	1,866	1,867	1,877	1,888	1,898	1,918	1,948	—	—	—	—
168"	1,933	1,943	1,944	1,954	1,965	1,985	2,014	—	—	—	—

GreenScreen® Evolve—Prices below are for 1% openness.

Use multiplier below to calculate price for other openness factors.

CLOTH WIDTH	36"	42"	48"	54"	59"	72"	84"	94"	108"	118"	132"	144"
HEIGHT 36"	\$1,048	\$1,058	\$1,068	\$1,079	\$1,089	\$1,200	\$1,229	\$1,250	\$1,277	\$1,961	\$2,149	\$2,358
42"	1,061	1,070	1,080	1,091	1,100	1,224	1,253	1,274	1,301	1,934	2,150	2,359
48"	1,072	1,083	1,092	1,103	1,113	1,248	1,277	1,298	1,325	1,908	2,151	2,360
54"	1,085	1,094	1,104	1,115	1,125	1,273	1,301	1,321	1,348	2,151	2,153	2,361
60"	1,096	1,107	1,116	1,127	1,137	1,296	1,325	1,345	1,372	2,153	2,154	2,363
66"	1,109	1,118	1,128	1,139	1,149	1,320	1,349	1,369	1,397	2,154	2,155	2,364
72"	1,120	1,130	1,140	1,151	1,161	1,344	1,373	1,393	1,421	2,155	2,156	2,365
78"	1,138	1,148	1,157	1,169	1,178	1,373	1,402	1,423	1,450	2,156	2,157	—
84"	1,150	1,159	1,170	1,180	1,191	1,398	1,427	1,447	1,474	2,157	2,158	—
90"	1,162	1,172	1,181	1,193	1,202	1,422	1,451	1,471	1,498	2,158	2,159	—
96"	1,174	1,183	1,194	1,204	1,214	1,446	1,475	1,495	1,523	2,159	2,160	—
108"	1,198	1,208	1,218	1,229	1,238	1,494	1,524	1,544	1,684	2,160	2,161	—
120"	1,227	1,237	1,247	1,258	1,267	1,548	1,577	1,596	1,742	2,329	2,431	—
132"	1,252	1,261	1,272	1,282	1,292	1,595	1,625	1,644	1,793	2,276	2,432	—
144"	1,276	1,285	1,295	1,306	1,316	1,643	1,673	1,693	1,845	2,223	—	—
156"	1,303	1,313	1,323	1,334	1,343	1,696	1,724	1,745	1,902	2,332	—	—
168"	1,327	1,337	1,347	1,358	1,367	1,744	1,772	—	—	—	—	—

GreenScreen® Evolve:

Fabric Multipliers

Fabric	Open-ness Factor	Multiply Above Prices by...
GreenScreen® Evolve	3%	0.99
GreenScreen® Evolve	5%	0.98
GreenScreen® Evolve	10%	0.96

GreenScreen® Revive—Prices below are for 1% openness. For 5% open fabric, multiply price below by .98.

CLOTH WIDTH	36"	42"	48"	54"	59"	72"	84"	94"	108"	118"	132"	144"
HEIGHT 36"	\$1,008	\$1,017	\$1,027	\$1,037	\$1,047	\$1,154	\$1,181	\$1,201	\$1,227	\$1,960	\$1,961	\$2,256
42"	1,020	1,029	1,038	1,049	1,058	1,177	1,204	1,224	1,251	1,961	1,962	2,258
48"	1,031	1,041	1,050	1,061	1,070	1,200	1,227	1,247	1,274	1,980	1,981	2,259
54"	1,043	1,052	1,062	1,072	1,082	1,223	1,251	1,271	1,297	1,992	1,993	2,260
60"	1,054	1,064	1,073	1,084	1,093	1,246	1,274	1,294	1,320	1,998	1,999	2,261
66"	1,066	1,075	1,085	1,095	1,105	1,269	1,298	1,317	1,343	1,999	2,000	2,262
72"	1,077	1,087	1,096	1,107	1,116	1,293	1,321	1,340	1,366	2,000	2,001	2,262
78"	1,094	1,104	1,113	1,124	1,133	1,321	1,348	1,368	1,394	2,002	2,003	—
84"	1,106	1,115	1,125	1,135	1,145	1,344	1,372	1,391	1,418	2,003	2,004	—
90"	1,117	1,127	1,136	1,147	1,156	1,367	1,395	1,414	1,441	2,004	2,006	—
96"	1,129	1,138	1,148	1,158	1,168	1,390	1,419	1,437	1,464	2,006	2,007	—
108"	1,152	1,161	1,171	1,181	1,191	1,436	1,465	1,484	1,634	2,007	2,008	—
120"	1,180	1,190	1,199	1,210	1,219	1,488	1,516	1,535	1,686	2,240	2,344	—
132"	1,203	1,213	1,222	1,233	1,242	1,534	1,562	1,581	1,733	2,189	2,345	—
144"	1,226	1,236	1,245	1,256	1,265	1,580	1,609	1,628	1,779	2,138	—	—
156"	1,253	1,262	1,273	1,282	1,292	1,631	1,658	1,678	1,830	2,243	—	—
168"	1,276	1,285	1,296	1,305	1,315	1,677	1,704	—	—	—	—	—

Motorized Dual Roller Bottom-Up FlexShade®

Headbox/Fascia Prices for Motorized Dual Roller Bottom-Up FlexShades® (all fabrics)

CLOTH WIDTH	31"	36"	42"	45"	48"	54"	60"	63"	72"	84"	93"
Dual Roller with Fascia ¹	\$64	\$68	\$72	\$74	\$76	\$80	\$86	\$88	\$94	\$102	\$114

¹Some height restrictions apply to Dual Roller with Fascia. Contact Draper for details.

Sizes below black line require seams.

Group 1: Mesh Fabrics—Use multiplier below to calculate price for specific fabric.

CLOTH WIDTH	31"	42"	48"	54"	63"	72"	84"	98"	108"	120"	132"
HEIGHT											
36"	\$964	\$988	\$1,009	\$1,036	\$1,046	\$1,087	\$1,122	\$1,166	\$1,226	\$1,245	\$1,500
42"	969	995	1,017	1,047	1,057	1,100	1,137	1,183	1,248	1,267	1,538
48"	974	1,003	1,026	1,058	1,068	1,114	1,152	1,200	1,271	1,289	1,539
54"	980	1,010	1,035	1,069	1,079	1,129	1,167	1,218	1,293	1,469	1,628
60"	986	1,017	1,044	1,080	1,090	1,142	1,181	1,235	1,315	1,493	—
66"	992	1,026	1,054	1,093	1,103	1,157	1,197	1,254	1,338	1,516	—
72"	999	1,033	1,063	1,104	1,114	1,171	1,212	1,271	1,361	—	—
78"	1,009	1,046	1,077	1,120	1,130	1,190	1,232	1,294	1,388	—	—
84"	1,014	1,053	1,086	1,131	1,141	1,203	1,246	1,310	1,410	—	—
90"	1,020	1,061	1,094	1,142	1,152	1,218	1,262	1,327	1,432	—	—
96"	1,026	1,068	1,104	1,154	1,163	1,232	1,277	1,345	1,454	—	—
108"	1,036	1,083	1,120	1,176	1,185	1,259	—	—	—	—	—
120"	1,053	—	—	—	—	—	—	—	—	—	—

Group 2: Mesh Fabrics—Use multiplier below to calculate price for specific fabric.

CLOTH WIDTH	31"	42"	48"	54"	63"	72"	84"	98"	108"	120"	132"
36"	\$968	\$1,004	\$1,015	\$1,045	\$1,054	\$1,097	\$1,155	\$1,174	\$1,229	\$1,262	\$1,512
42"	973	1,013	1,025	1,056	1,066	1,112	1,174	1,192	1,252	1,286	1,538
48"	980	1,023	1,034	1,068	1,077	1,128	1,192	1,211	1,289	1,309	1,539
54"	986	1,032	1,044	1,080	1,090	1,142	1,211	1,230	1,314	1,479	1,628
60"	991	1,042	1,053	1,092	1,101	1,157	1,230	1,247	1,338	1,504	1,725
66"	999	1,052	1,064	1,106	1,115	1,177	1,250	1,267	1,363	—	—
72"	1,005	1,062	1,073	1,117	1,127	1,192	1,268	1,286	1,387	—	—
78"	1,016	1,076	1,088	1,135	1,145	1,212	1,293	1,310	1,416	—	—
84"	1,022	1,086	1,097	1,147	1,156	1,227	1,311	1,328	1,440	—	—
90"	1,028	1,095	1,107	1,158	1,168	1,242	1,330	1,347	1,464	—	—
96"	1,034	1,105	1,116	1,171	1,180	1,257	1,348	1,366	1,488	—	—
108"	1,046	1,122	1,135	1,194	—	—	—	—	—	—	—

Group 1: Fabric Multipliers

Fabric	Open-ness Factor	Multiply Above Prices by...
SW Infinity 2	1%	1.19
PW4800	1%	1.05
SW Infinity 2	3%	1.15
PW4600	3%	1.04
PW4650	3%	1.04
PW4400	3%	1.02
SW Infinity 2	5%	1.12
PW4500	5%	1.01
PW4550	5%	1.01
PW3500	5%	1.00
PW4100*	10%	0.99

Group 2: Fabric Multipliers

Fabric	Open-ness Factor	Multiply Above Prices by...	Fabric	Open-ness Factor	Multiply Above Prices by...
SW2500PP*	1%	1.32	SW2705	5%	0.98
SW2500	1%	1.04	SW Basic	5%	0.95
SW2701	1%	1.02	SW2100*	10%	0.99
SW2400PP*	3%	1.28	SW2600*	10%	0.99
SW2400	3%	1.02	SW2710	10%	0.96
SW2703	3%	1.00	Suntex Design*	10%	0.96
SW Basic	3%	0.98	Suntex 90*	10%	0.93
SW2900 PP*	5%	1.25	SW3000*	14%	0.97
SW2000	5%	1.00	SW1000*	23%	0.92
SW2900	5%	1.00			

*Not available in 120" roll widths. Seaming information above is based on 120" roll goods.

Motorized Dual Roller Bottom-Up FlexShade®

Headbox/Fascia Prices for Motorized Dual Roller Bottom-Up FlexShades® (all fabrics)

CLOTH WIDTH	31"	36"	42"	45"	48"	54"	60"	63"	72"	84"	98"
Dual Roller with Fascia ¹	\$64	\$68	\$72	\$74	\$76	\$80	\$86	\$88	\$94	\$102	\$114

¹Some height restrictions apply to Dual Roller with Fascia. Contact Draper for details.

Sizes below black line require seams.

Group 3: Mesh Fabrics—Use multiplier below to calculate price for specific fabric.

CLOTH WIDTH	38"	48"	60"	78"	84"	98"	108"	120"	132"
HEIGHT									
36"	\$973	\$1,004	\$1,037	\$1,077	\$1,132	\$1,150	\$1,208	\$1,227	\$1,478
42"	980	1,011	1,047	1,089	1,148	1,166	1,226	1,246	1,538
48"	986	1,020	1,056	1,099	1,163	1,181	1,246	1,266	1,539
54"	992	1,027	1,067	1,111	1,179	1,197	1,266	1,469	1,628
60"	999	1,035	1,076	1,122	1,195	1,213	1,285	1,493	1,725
66"	1,012	1,050	1,093	1,141	1,218	1,236	1,313	1,516	1,726
72"	1,019	1,058	1,104	1,152	1,235	1,252	1,332	1,540	1,764
78"	1,030	1,071	1,118	1,169	1,256	1,273	1,358	1,568	—
84"	1,037	1,079	1,128	1,180	1,272	1,288	1,377	1,591	—
90"	1,044	1,087	1,138	1,191	1,287	1,304	1,397	—	—
96"	1,050	1,095	1,148	1,203	1,303	1,320	1,416	—	—
108"	1,063	1,111	1,167	1,235	1,335	1,351	1,643	—	—
120"	1,080	1,132	1,192	1,273	1,371	1,387	1,697	—	—
132"	1,093	1,148	1,211	1,304	1,404	—	—	—	—
144"	1,106	1,163	—	—	—	—	—	—	—

Group 3: Fabric Multipliers

Fabric	Openness Factor	Multiply Above Prices by...	Fabric	Openness Factor	Multiply Above Prices by...	Fabric	Openness Factor	Multiply Above Prices by...
E Screen	1%	1.05	E Screen	3%	1.02	M Screen	5%	1.03
Alkenz 3000/4000	1%	0.97	Alkenz 3000/4000	3%	0.97	E Screen	5%	1.00
E Screen/KoolBlack	3%	1.20	SilverScreen*	4%	1.37	Alkenz 3000/4000	5%	0.96
T Screen/KoolBlack	3%	1.12	E Screen/KoolBlack	5%	1.16	E Screen	10%	0.99
M Screen	3%	1.04	Satine*	5%	1.16	Vienne*	10%	0.99
T Screen*	3%	1.05	T Screen/KoolBlack	5%	1.09	Alkenz 3000/4000	10%	0.95
						Natte*	12%	1.12

*Not available in 120" roll widths. Seaming information above is based on 120" roll goods.

Clutch Bottom-Up FlexShade® XD

Unlike traditional Shades, Draper's patent pending Bottom-Up FlexShade® provides privacy without eliminating natural daylight. Draper's Bottom-Up FlexShade® utilizes natural daylighting to its fullest extent, while protecting work surfaces near the windows from harsh glare and excess heat. The shade rises from a roller at the bottom of the unit. It blocks the sun's rays at the bottom of the window, while allowing daylight to pass comfortably above people and objects adjacent to the window.

STANDARDS

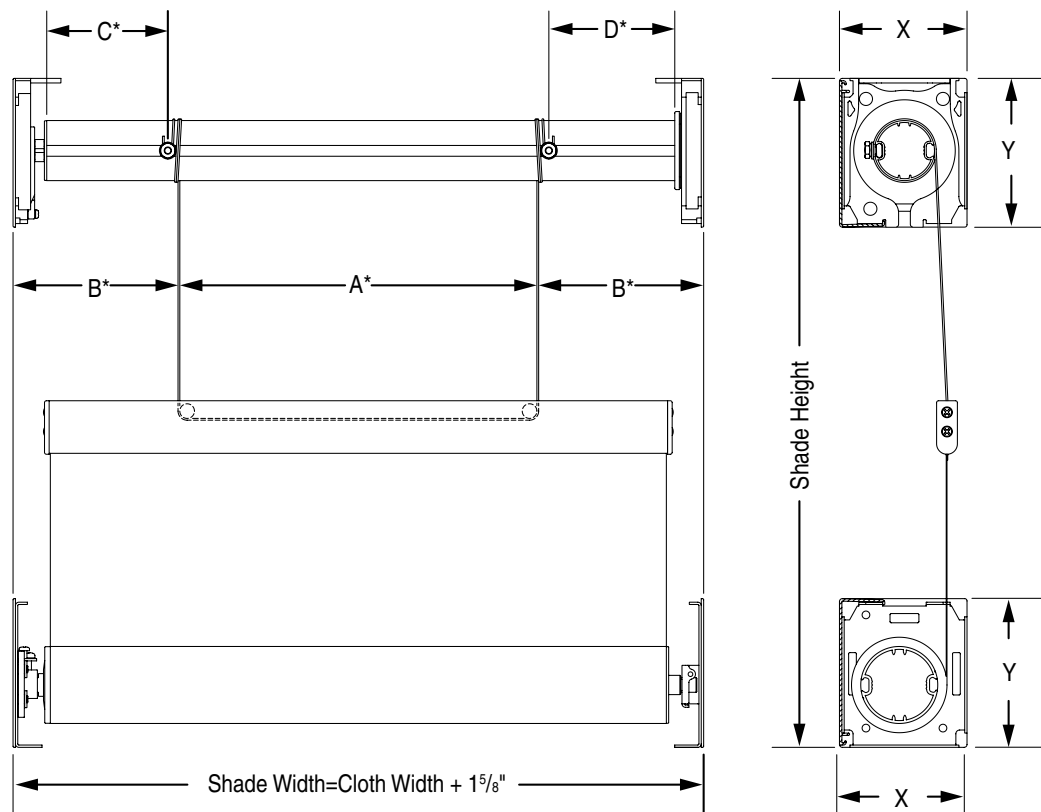
- Heavy -Duty Clutch design
- Metal tube, with bead chain clutch operator on right side (standard) as seen from facing the window inside the room. Left side operator available. Chain tension device included.
- Spline attachment is standard. For a deduction, attachment to roller by adhesive is available upon request.
- Hembar is machine extruded aluminum, finished to match fascia.
- Lifting Cable is 7x19 strand low-stretch high fatigue nylon-coated cable approximately 0.046" OD.

OPTIONS

- End Caps for inside, outside, or ceiling mounting standard (square or radius fascia or headbox with end caps also available in 2 sizes). Fabric wrapped fascia also available—Call for details.
- Hardware finish for fascia or headbox: Clear Anodized (standard), black, white, ivory, or bronze powder coat finish available.

ANSI/WCMA A100.1 Compliance:

- Recommended for installing where small children are present.
- Pre-installed Spring-Loaded Chain Tension Device (Owl Clip) with Bead Chain threaded through it. **Part No. C504.097**
- Approved permanent warning label is attached.
- Approved mechanical fasteners included.
- If the tension device is not installed properly, or becomes unattached from the mounting surface, the shade will be rendered partially inoperable. If installed properly, the tension device will also prevent the creation of a hazardous loop and will maintain tension on the bead chain. The tension device and label require tools to be removed. ANSI/WCMA compliance is an option that must be specified at time of order. **\$2.00 upcharge.**



* These dimensions are different for each shade and are provided by Draper on the fabric ticket enclosed with each shade.

Dimension "A" is the vertical cable spacing.

Dimension "B" is the distance from the vertical cable spacing to the vertical edge of the shade.

Dimension "C" is the distance from the idler-end of the tube to the center of the cable attachment stud.

Dimension "D" is the distance from the operator-end of the tube to the center of the cable attachment stud.

Dimension	Large Hardware	Small Hardware
X***	4 ¹¹ / ₁₆ "	3 ⁷ / ₁₆ "
Y***	4 ¹¹ / ₁₆ "	3 ¹⁵ / ₁₆ "

***These dimensions are for the Endcap Covers.

Endcap, fascia or headbox dimensions fall within this dimension.

Clutch Bottom-Up FlexShade® XD Fabrics

Headbox/Fascia Prices for Clutch Bottom-Up FlexShades® XD (all fabrics)

CLOTH WIDTH	31"	36"	42"	45"	48"	54"	60"	63"	72"	84"	98"	108"	120"	132"	144"	156"	168"
3 7/8" Sm. Radius Fascia	\$32	\$34	\$36	\$37	\$38	\$40	\$43	\$44	\$47	\$51	\$57	\$64	\$68	\$73	\$78	\$83	\$87
3 7/8" Sm. Square Fascia	32	34	36	37	38	40	43	44	47	51	57	64	68	73	78	83	87
4 5/8" Lg. Radius Fascia	39	41	43	45	48	51	54	55	60	66	72	84	90	96	102	107	113
4 5/8" Lg. Square Fascia	39	41	43	45	48	51	54	55	60	66	72	84	90	96	102	107	113
3 15/16" Sm. Headbox	75	78	86	87	92	98	102	107	116	128	142	152	164	176	188	200	212
4 11/16" Lg. Headbox	90	99	105	112	114	122	135	135	148	165	184	199	215	232	249	266	283

Multiply fascia and headbox pricing above by two in order to cover both top and bottom rollers.
Pocket headbox is not recommended for use on bottom roller.

Sizes below black line require seams. – Sizes in green require large fascia/headbox. All others use small fascia/headbox.

Spring Assist is an optional upgrade on sizes that do not include it for an additional \$30.
Please deduct \$23 per shade for tape fabric attachment instead of spline attachment.

SB9000/9100 – Opaque (SB9100 sizes larger than 72" wide will have seams.)

CLOTH WIDTH	36"	45"	54"	63"	72"	84"	96"	108"	120"	132"	144"	156"	168"
36"	\$463	\$489	\$498	\$508	\$527	\$582	\$600	\$702	\$781	\$810	\$1,019	\$1,069	\$1,119
42"	467	496	504	515	534	594	672	718	797	812	1,020	1,070	1,121
48"	473	502	510	522	542	607	686	755	813	828	1,065	1,117	1,170
54"	477	508	517	529	549	621	699	772	830	840	1,077	1,128	—
60"	482	515	523	537	557	633	712	788	845	1,052	1,053	1,106	—
66"	487	521	530	543	564	646	726	804	862	1,129	1,189	1,252	—
72"	491	527	537	550	571	658	738	820	878	1,131	1,190	1,254	—
78"	500	538	546	561	583	696	755	840	898	1,145	1,204	1,269	—
84"	504	544	552	568	590	709	769	856	914	1,147	1,206	1,272	—
90"	509	550	559	575	597	721	781	872	929	1,241	—	—	—
96"	513	557	565	582	605	734	795	888	946	1,217	—	—	—
108"	523	569	579	596	621	760	842	957	979	1,221	—	—	—
120"	538	588	596	616	641	842	874	994	1,016	1,713	—	—	—
132"	547	601	609	630	655	868	900	1,027	1,048	—	—	—	—
144"	578	613	622	645	671	894	927	1,058	—	—	—	—	—

Avila Twilight – Opaque.

CLOTH WIDTH	36"	42"	48"	55"	59"	72"	84"	96"	110"	118"	132"	144"
36"	\$524	\$530	\$538	\$546	\$551	\$648	\$664	\$679	\$760	\$839	\$972	\$1,208
42"	537	544	550	559	564	672	688	762	784	863	974	1,209
48"	549	557	564	572	578	696	712	786	830	887	976	1,248
54"	563	569	576	585	590	720	736	811	854	911	1,278	1,576
60"	575	583	589	599	603	744	760	835	878	936	1,280	1,541
66"	589	595	603	611	616	769	784	859	902	960	1,454	1,543
72"	602	608	615	624	629	793	807	883	926	984	1,455	1,545
78"	617	625	632	641	646	820	856	910	953	1,011	1,461	1,551
84"	631	637	645	653	658	844	880	935	978	1,035	1,463	1,553
90"	644	651	657	667	671	868	904	959	1,002	1,059	1,502	1,654
96"	657	664	671	679	685	893	928	983	1,026	1,084	1,567	1,666
108"	683	690	697	706	710	940	977	1,051	1,110	1,132	1,568	1,669
120"	714	721	728	737	741	993	1,080	1,106	1,163	1,185	1,934	2,045
132"	740	748	754	762	768	1,042	1,129	1,153	1,212	1,234	1,938	2,049
144"	773	780	788	789	794	1,090	1,177	1,201	1,260	—	—	—

Flocké – Opaque. For 1% open Vizela fabric, multiply price below by .75.

CLOTH WIDTH	36"	42"	47"	54"	60"	72"	84"	94"	108"	120"	132"	144"	156"	168"
36"	\$618	\$625	\$632	\$817	\$821	\$837	\$853	\$868	\$1,050	\$1,180	\$1,255	\$1,503	\$1,592	\$1,681
42"	644	651	658	866	872	887	903	978	1,503	1,682	1,804	2,099	2,237	—
48"	670	677	684	917	921	937	952	1,028	1,526	1,683	1,806	2,127	2,265	—
54"	696	702	710	966	971	987	1,003	1,077	1,528	1,685	1,807	2,129	2,266	—
60"	721	729	736	1,016	1,021	1,036	1,052	1,128	1,530	1,687	1,809	2,105	2,243	—
66"	748	755	761	1,066	1,071	1,087	1,103	1,177	1,532	1,689	1,974	2,107	2,244	—
72"	774	780	788	1,116	1,120	1,136	1,152	1,227	1,533	1,975	2,108	2,190	2,246	—
78"	803	810	817	1,169	1,174	1,190	1,226	1,280	1,539	1,981	2,115	2,197	2,252	—
84"	828	836	843	1,219	1,224	1,240	1,276	1,330	1,540	1,983	2,199	—	—	—
90"	855	862	868	1,268	1,274	1,289	1,326	1,380	2,151	2,353	2,717	—	—	—
96"	881	887	895	1,319	1,324	1,340	1,376	1,430	2,154	2,355	2,693	—	—	—
108"	932	940	946	1,419	1,423	1,440	1,475	1,551	2,193	2,358	3,245	—	—	—
120"	989	996	1,004	1,524	1,529	1,545	1,632	1,656	2,653	2,867	—	—	—	—
132"	1,042	1,048	1,055	1,623	1,629	1,644	1,731	1,756	2,658	—	—	—	—	—
144"	1,100	1,107	1,114	1,723	1,728	1,744	1,831	1,855	2,661	—	—	—	—	—

There is a \$30 charge to railroad (transverse) and/or seam shade fabric when not required by roll width limitations (for example to match other seamed Shades). Not all fabrics can be railroaded. For more information, contact Draper.

Clutch Bottom-Up FlexShade® XD Fabrics

Headbox/Fascia Prices for Clutch Bottom-Up FlexShades® XD (all fabrics)

CLOTH WIDTH	31"	36"	42"	45"	48"	54"	60"	63"	72"	84"	98"	108"	120"	132"	144"	156"	168"
3 7/8" Sm. Radius Fascia	\$32	\$34	\$36	\$37	\$38	\$40	\$43	\$44	\$47	\$51	\$57	\$64	\$68	\$73	\$78	\$83	\$87
3 7/8" Sm. Square Fascia	32	34	36	37	38	40	43	44	47	51	57	64	68	73	78	83	87
4 5/8" Lg. Radius Fascia	39	41	43	45	48	51	54	55	60	66	72	84	90	96	102	107	113
4 5/8" Lg. Square Fascia	39	41	43	45	48	51	54	55	60	66	72	84	90	96	102	107	113
3 15/16" Sm. Headbox	75	78	86	87	92	98	102	107	116	128	142	152	164	176	188	200	212
4 11/16" Lg. Headbox	90	99	105	112	114	122	135	135	148	165	184	199	215	232	249	266	283

Multiply fascia and headbox pricing above by two in order to cover both top and bottom rollers. Pocket headbox is not recommended for use on bottom roller.

Sizes below black line require seams. — Sizes in green require large fascia/headbox. All others use small fascia/headbox.

Spring Assist is an optional upgrade on sizes that do not include it for an additional \$30. Please deduct \$23 per shade for tape fabric attachment instead of spline attachment.

SW7000—Opaque

CLOTH WIDTH	36"	42"	47"	54"	59"	72"	84"	94"	108"	118"	132"	144"	156"	168"
HEIGHT 36"	\$552	\$559	\$594	\$603	\$689	\$706	\$720	\$793	\$874	\$952	\$1,136	\$1,373	\$1,452	\$2,251
42"	569	576	614	624	721	737	753	891	914	992	1,138	1,376	1,454	—
48"	586	593	635	644	753	769	784	931	973	1,031	1,140	1,308	1,483	—
54"	603	610	656	665	784	801	816	970	1,013	1,071	1,397	1,682	1,781	—
60"	620	627	677	686	817	833	848	1,010	1,052	1,110	1,399	1,658	1,759	—
66"	636	644	697	707	848	864	880	1,049	1,092	1,150	1,562	1,660	1,761	—
72"	653	660	718	727	881	897	911	1,089	1,131	1,190	1,565	1,661	1,763	—
78"	674	680	742	751	916	931	968	1,132	1,175	1,233	1,570	1,667	1,769	—
84"	691	697	763	772	948	964	1,000	1,171	1,214	1,272	1,572	—	—	—
90"	708	714	783	793	980	995	1,031	1,211	1,254	1,311	1,775	—	—	—
96"	725	732	804	813	1,011	1,027	1,064	1,251	1,293	1,350	1,750	—	—	—
108"	758	765	846	855	1,075	1,091	1,127	1,350	1,408	1,430	—	—	—	—
120"	797	804	893	901	1,145	1,160	1,247	1,434	1,493	1,514	—	—	—	—
132"	832	838	935	943	1,208	1,223	1,310	1,513	1,572	—	—	—	—	—
144"	886	974	975	984	1,272	1,287	1,374	1,592	1,651	—	—	—	—	—

GreenScreen® Evolve—Prices below are for 1% openness.

Use multiplier below to calculate price for other openness factors.

CLOTH WIDTH	36"	42"	48"	54"	59"	72"	84"	94"	108"	118"	132"	144"	156"	168"
HEIGHT 36"	\$527	\$534	\$541	\$549	\$639	\$655	\$671	\$687	\$768	\$846	\$971	\$1,194	\$1,258	\$1,324
42"	541	548	554	563	665	680	696	771	793	872	973	1,196	1,260	1,326
48"	554	561	568	576	690	706	721	796	839	897	974	1,224	1,288	1,353
54"	568	574	582	590	715	731	746	821	863	922	1,241	1,513	1,598	1,685
60"	581	588	595	604	739	755	771	846	888	946	1,243	1,489	1,576	1,665
66"	594	602	609	617	764	780	796	872	914	971	1,407	1,491	1,578	1,666
72"	608	615	622	631	790	805	821	896	939	996	1,409	1,492	1,580	1,668
78"	625	632	638	648	818	834	870	925	967	1,025	1,414	1,498	1,587	1,675
84"	638	646	652	660	843	859	896	949	992	1,050	1,416	1,500	1,589	1,677
90"	652	658	666	674	868	884	921	974	1,017	1,075	1,445	1,503	1,591	1,679
96"	666	672	679	688	894	909	945	1,000	1,043	1,100	1,421	1,505	1,592	1,681
108"	692	699	707	715	943	960	995	1,071	1,129	1,151	1,424	1,508	—	—
120"	725	732	738	748	999	1,014	1,101	1,127	1,184	1,206	1,855	1,957	—	—
132"	752	759	765	774	1,049	1,065	1,152	1,176	1,235	1,257	1,860	1,961	—	—
144"	785	793	799	801	1,099	1,115	1,202	1,226	1,284	1,450	1,863	—	—	—

GreenScreen® Evolve: Fabric Multipliers	Fabric	Openness Factor	Multiply Above Prices by...
	GreenScreen® Evolve	3%	0.97
	GreenScreen® Evolve	5%	0.95
	GreenScreen® Evolve	10%	0.92

GreenScreen® Revive—Prices below are for 1% openness. For 5% open fabric, multiply price below by .95.

CLOTH WIDTH	36"	42"	48"	54"	59"	72"	84"	94"	108"	118"	132"	144"	156"	168"
HEIGHT 36"	\$519	\$526	\$532	\$541	\$623	\$638	\$654	\$670	\$751	\$830	\$945	\$1,166	\$1,227	\$1,290
42"	531	538	545	553	646	662	676	752	774	853	947	1,167	1,230	1,293
48"	544	550	558	566	668	684	699	775	817	875	948	1,195	1,258	1,321
54"	555	563	569	579	691	707	722	797	840	898	1,189	1,456	1,537	1,618
60"	568	575	582	590	714	730	744	820	863	921	1,191	1,431	1,515	1,598
66"	581	587	594	603	736	752	768	843	885	943	1,355	1,433	1,516	1,600
72"	593	600	607	615	759	775	791	865	908	966	1,357	1,435	1,518	1,602
78"	609	615	623	631	785	801	837	891	935	992	1,362	1,442	1,525	1,609
84"	621	628	634	644	809	824	860	915	958	1,015	1,364	1,444	1,527	1,611
90"	633	641	647	655	831	846	883	937	980	1,037	1,392	1,445	1,529	1,613
96"	646	652	659	668	854	869	905	960	1,003	1,061	1,368	1,447	1,531	1,615
108"	670	677	684	693	899	915	951	1,026	1,084	1,106	1,371	1,451	—	—
120"	700	708	714	722	950	966	1,053	1,077	1,135	1,157	1,777	1,872	—	—
132"	725	732	739	748	995	1,011	1,098	1,122	1,181	1,202	1,781	1,875	—	—
144"	756	763	771	772	1,041	1,056	1,143	1,168	1,226	1,391	1,784	—	—	—

Clutch Bottom-Up FlexShade® XD Fabrics

Headbox/Fascia Prices for Clutch Bottom-Up FlexShades® XD (all fabrics)

CLOTH WIDTH	31"	36"	42"	45"	48"	54"	60"	63"	72"	84"	98"	108"	120"	132"	144"	156"	168"
3 7/8" Sm. Radius Fascia	\$32	\$34	\$36	\$37	\$38	\$40	\$43	\$44	\$47	\$51	\$57	\$64	\$68	\$73	\$78	\$83	\$87
3 7/8" Sm. Square Fascia	32	34	36	37	38	40	43	44	47	51	57	64	68	73	78	83	87
4 5/8" Lg. Radius Fascia	39	41	43	45	48	51	54	55	60	66	72	84	90	96	102	107	113
4 5/8" Lg. Square Fascia	39	41	43	45	48	51	54	55	60	66	72	84	90	96	102	107	113
3 15/16" Sm. Headbox	75	78	86	87	92	98	102	107	116	128	142	152	164	176	188	200	212
4 11/16" Lg. Headbox	90	99	105	112	114	122	135	135	148	165	184	199	215	232	249	266	283

Multiply fascia and headbox pricing above by two in order to cover both top and bottom rollers.
Pocket headbox is not recommended for use on bottom roller.

Sizes below black line require seams. — Sizes in green require large fascia/headbox. All others use small fascia/headbox.

Spring Assist is an optional upgrade on sizes that do not include it for an additional \$30.
Please deduct \$23 per shade for tape fabric attachment instead of spline attachment.

Group 1: Mesh Fabrics—Use multiplier below to calculate price for specific fabric.

CLOTH WIDTH	31"	42"	48"	54"	63"	72"	84"	98"	108"	120"	132"	144"	156"
36"	\$481	\$501	\$517	\$528	\$548	\$569	\$605	\$618	\$754	\$833	\$896	\$1,112	\$1,170
42"	488	510	527	540	561	584	622	692	777	856	951	1,173	1,235
48"	496	520	538	551	573	598	637	709	821	879	953	1,200	1,263
54"	503	528	547	563	586	613	653	727	844	902	1,036	1,290	1,358
60"	510	538	558	574	597	628	669	744	867	925	1,038	1,266	1,336
66"	518	546	568	586	610	642	686	762	890	948	1,202	1,268	1,338
72"	525	555	578	597	623	657	701	780	914	971	1,204	1,269	1,340
78"	536	568	591	612	639	675	741	801	941	999	—	—	—
84"	543	576	602	624	652	689	758	818	964	1,022	—	—	—
90"	550	586	612	635	664	705	774	836	987	1,045	—	—	—
96"	558	594	622	647	676	719	790	853	1,010	1,068	—	—	—
108"	571	612	643	670	701	748	822	909	1,092	1,114	—	—	—
120"	591	636	668	698	732	783	910	950	1,145	—	—	—	—
132"	606	654	689	721	757	812	943	985	—	—	—	—	—
144"	642	672	709	754	782	852	974	—	—	—	—	—	—

Large Hardware information above based on PW4400—may vary for some fabrics

Group 2: Mesh Fabrics—Use multiplier below to calculate price for specific fabric.

CLOTH WIDTH	31"	42"	48"	54"	63"	72"	84"	98"	108"	120"	132"	144"	156"
36"	\$480	\$503	\$512	\$533	\$543	\$590	\$612	\$627	\$765	\$844	\$909	\$1,127	\$1,187
42"	488	513	523	545	557	608	632	702	790	868	969	1,209	1,256
48"	496	523	533	558	568	625	650	720	836	894	971	1,237	1,284
54"	503	533	543	570	581	643	668	739	860	918	1,118	1,239	1,285
60"	510	543	554	582	594	660	688	758	885	943	1,119	1,382	1,432
66"	518	553	564	595	607	678	707	776	909	968	1,284	1,384	1,433
72"	526	563	574	606	620	696	726	795	935	992	—	—	—
78"	537	576	589	622	636	717	758	818	963	1,021	—	—	—
84"	544	586	599	635	648	734	776	837	988	1,046	—	—	—
90"	552	596	609	647	661	751	796	855	1,012	1,070	—	—	—
96"	560	606	619	659	674	769	814	874	1,037	1,095	—	—	—
108"	575	626	640	684	700	804	852	932	1,122	1,145	—	—	—
120"	595	652	666	713	730	845	954	975	1,177	—	—	—	—
132"	611	672	687	739	755	880	992	1,016	1,226	—	—	—	—
144"	647	702	718	773	792	926	1,030	1,054	—	—	—	—	—

Large Hardware information above based on Suntex Design 10%—may vary for some fabrics

Group 1: Fabric Multipliers

Fabric	Open-ness Factor	Multiply Above Prices by...
SW Infinity 2	1%	1.27
PW4800	1%	1.07
SW Infinity 2	3%	1.21
PW4600	3%	1.05
PW4650	3%	1.05
PW4400	3%	1.03
SW Infinity 2	5%	1.17
PW4500	5%	1.02
PW4550	5%	1.02
PW3500	5%	1.00
PW4100*	10%	1.00

Group 2: Fabric Multipliers

Fabric	Open-ness Factor	Multiply Above Prices by...	Fabric	Open-ness Factor	Multiply Above Prices by...
SW2500PP*	1%	1.41	SW2705	5%	0.98
SW2500	1%	1.05	SW Basic	5%	0.94
SW2701	1%	1.03	SW2100*	10%	0.99
SW2400PP*	3%	1.37	SW2600*	10%	0.99
SW2400	3%	1.02	SW2710	10%	0.95
SW2703	3%	1.00	Suntex Design*	10%	0.96
SW Basic	3%	0.97	Suntex 90*	10%	0.92
SW2900 PP*	5%	1.33	SW3000*	14%	0.97
SW2000	5%	1.00	SW1000*	23%	0.90
SW2900	5%	1.00			

*Not available in 120" roll widths. Seaming information above is based on 120" roll goods.

Clutch Bottom-Up FlexShade® XD Fabrics

Headbox/Fascia Prices for Clutch Bottom-Up FlexShades® XD (all fabrics)

CLOTH WIDTH	31"	36"	42"	45"	48"	54"	60"	63"	72"	84"	98"	108"	120"	132"	144"	156"	168"
3 7/8" Sm. Radius Fascia	\$32	\$34	\$36	\$37	\$38	\$40	\$43	\$44	\$47	\$51	\$57	\$64	\$68	\$73	\$78	\$83	\$87
3 7/8" Sm. Square Fascia	32	34	36	37	38	40	43	44	47	51	57	64	68	73	78	83	87
4 5/8" Lg. Radius Fascia	39	41	43	45	48	51	54	55	60	66	72	84	90	96	102	107	113
4 5/8" Lg. Square Fascia	39	41	43	45	48	51	54	55	60	66	72	84	90	96	102	107	113
3 15/16" Sm. Headbox	75	78	86	87	92	98	102	107	116	128	142	152	164	176	188	200	212
4 11/16" Lg. Headbox	90	99	105	112	114	122	135	135	148	165	184	199	215	232	249	266	283

*Multiply fascia and headbox pricing above by two in order to cover both top and bottom rollers.
Pocket headbox is not recommended for use on bottom roller.*

Sizes below black line require seams. — Sizes in green require large fascia/headbox. All others use small fascia/headbox.

*Spring Assist is an optional upgrade on sizes that do not include it for an additional \$30.
Please deduct \$23 per shade for tape fabric attachment instead of spline attachment.*

Group 3: Mesh Fabrics—Use multiplier below to calculate price for specific fabric.

CLOTH WIDTH	38"	48"	60"	78"	84"	98"	108"	120"	132"	144"	156"	168"
36"	\$487	\$512	\$559	\$562	\$612	\$628	\$736	\$815	\$881	\$1,095	\$1,152	\$1,210
42"	495	522	573	576	630	705	757	836	924	1,142	1,203	—
48"	503	531	587	589	647	721	799	857	926	1,171	1,232	—
54"	511	541	602	603	664	739	819	877	991	1,241	1,305	—
60"	519	550	615	616	681	756	840	898	993	1,217	1,283	—
66"	527	560	630	697	698	773	861	919	1,157	1,219	1,284	—
72"	536	569	644	714	715	791	882	940	1,227	1,296	1,367	—
78"	546	582	662	755	756	811	906	964	1,234	1,301	1,373	—
84"	554	591	675	773	774	827	927	985	1,235	—	—	—
90"	563	601	690	790	791	845	948	1,006	1,347	—	—	—
96"	570	610	704	806	807	862	968	1,026	—	—	—	—
108"	587	630	732	841	842	917	1,046	1,068	—	—	—	—
120"	608	654	765	931	932	957	1,093	1,115	—	—	—	—
132"	624	673	794	966	967	991	1,135	—	—	—	—	—
144"	660	692	822	1,000	1,001	1,025	1,176	—	—	—	—	—

Large Hardware information above based on Satine 5%—may vary for some fabrics

Group 3: Fabric Multipliers

Fabric	Openness Factor	Multiply Above Prices by...	Fabric	Openness Factor	Multiply Above Prices by...	Fabric	Openness Factor	Multiply Above Prices by...
E Screen	1%	1.06	E Screen	3%	1.02	M Screen	5%	1.04
Alkenz 3000/4000	1%	0.96	Alkenz 3000/4000	3%	0.96	E Screen	5%	1.00
E Screen/KoolBlack	3%	1.27	SilverScreen*	4%	1.51	Alkenz 3000/4000	5%	0.94
T Screen/KoolBlack	3%	1.16	E Screen/KoolBlack	5%	1.22	E Screen	10%	0.99
M Screen	3%	1.06	Satine*	5%	1.22	Vienne*	10%	1.00
T Screen*	3%	1.08	T Screen/KoolBlack	5%	1.12	Alkenz 3000/4000	10%	0.94
						Natte*	12%	1.17

*Not available in 120" roll widths. Seaming information above is based on 120" roll goods.

Digital Printed Shades

In-House Shade Printing— We're proud to announce in-house printing for most graphic shade orders. Here's what you can expect when ordering graphic Shades:

- **Your prints will look better than ever** – Our in-house equipment produces the most bright, vivid colors that we've ever offered, with a wide color gamut and sharp detail
- **Breathe in the clean air** – There are no VOCs or off-gassing from our inks, which are GREENGUARD Gold Certified
- **You'll receive your order promptly** due to improved control over speed and turnaround times for printed products
- **You'll enjoy consistent print quality** on both mesh and opaque blackout fabrics, as they all print on the same state-of-the-art digital printer
- **Expect fewer delays** that could result from shipping fabric and printed graphics back and forth between Draper and an outside print vendor
- **Your product will last—** Our inks resist light-fading for many years. They also have a high resistance to damage from scratching, abrasion, water, and chemicals.

Put virtually any company logo or graphic on your window shades.

You provide the artwork, and we'll print your logo or graphic. Ideal for situations where restrictions are imposed on signage. You can put your logo or ad on the side of the shade facing out, and display it to the world. Graphics can be printed on either side of the window shade. Please see your Draper representative for restrictions and available fabrics.

We use a high quality, digital four-color process to assure a crisp and clear image. Order for graphics must accompany shade order.

"Closed" Signs

Adhesive lettering can be applied ("Closed" signs, for example) at cost of \$100. 3", 4", or 5" lettering available. SB9000 or SB9100 fabric only. Contact your Draper sales representative for details.



Graphic FlexShades® at the Martin Luther King, Jr. exhibit at Boston University's Mugar Library. Photography © Greg Premru Photography. Both of Boston, MA.

Preparation For Printing on Shade Fabric

FABRIC RECOMMENDATION: Many fabrics are available for Draper window Shades, however white fabric is recommended to print graphics. We recommend printing on SunBloc Series SB9000 (White) for best image reproduction. Printing inks are transparent, so any non-white fabric will shift the appearance of the final print. Choosing white allows us to match the intended colors of your graphics more accurately.

- If mesh fabric is necessary we recommend E Screen 1,3,5 and 10% O.F. fabrics. Mesh fabrics allow view through and therefore do not reproduce graphics quite as sharply as opaque fabrics.
- For an additional expense Draper may be able to print on non-white and/or fabrics not listed. Not all fabrics are printable. Please contact Draper for a quote.

Fabric Disclaimer: *Although shade fabrics were not designed to be printed on, Draper has had much success with this option. Shade fabric can also have imperfections that can affect the printing process. Draper will strive to supply the best possible product but cannot consider either of these as warrantable items.*

PREFERRED FILE FORMATS FOR GRAPHIC ART: Adobe Illustrator or EPS (Encapsulated PostScript).

Illustrations should be vector-based (not simply a PhotoShop file saved as an EPS). All typography should be converted to paths (outlines).

OTHER ACCEPTED FORMAT: TIF (Tagged Image File)

TIF should be flattened (no layers), CMYK color mode, at 150dpi (dots per inch).

IMAGE SIZE: *All files should be sized exactly to the final print size. For example, if your shade's visible area is 50" x 50" in size, your graphic image size should be 50" x 50".*

BLEED: *If the graphic is to bleed (if the image is to run all the way to the edge of the shade), add 1/2" to all sides of the image size for bleed to allow for trimming.*

Standard Resolution One-Sided Printing* —

*Pricing is in addition to the cost of selected shade. Pricing applies **only** to white E Screen 1,3,5 and 10% O.F. or white SunBloc Series SB9000 fabrics at standard resolution. Please contact Draper for details.*

*Graphic setup required. Pricing is as follows:

Graphic Setup Fee\$300
Digital Printing.....\$12/sq foot

Please Note: Discounts are available for multiple Shades. Please call for details.

FlexWave Light Shelf

The FlexWave Light Shelf is an architectural element that allows light to penetrate deeper into a room. This horizontal shelf is placed above eye-level and is used to reflect light onto the ceiling, bringing light deeper into the space. This distribution of light reduces "hot spots" and allows a deeper penetration of glare-free natural light.

- Proven to reduce the need for artificial lighting in buildings.
- Can be installed in single sections or continuous runs.
- The use of incandescent and fluorescent lighting can be reduced or completely eliminated, depending on the space.
- In spaces such as classrooms and offices, light shelves have been proven to increase occupant productivity, health, and reduction of employee absenteeism.
- Incorporating light shelves in a building design is admissible for the LEED point system, falling under the "Indoor Environment Quality: Daylight & Views" category.
- Shelf can be easily rotated down, without the use of tools, for cleaning. Resistant to dust collection.
- Lightweight constructions. Quick and easy install.

Integrated FlexShade® Options: FlexShade® XD, Motorized FlexShade®, and Coupled FlexShade® can be integrated with FlexWave light shelf. Add shade pricing to FlexWave prices below

- For XD pricing see pages 34-39
- For Motorized FlexShade® pricing see pages 13-18
- For Coupled pricing see page 51

Integrated Shades are available with brackets only or with fascia. For pricing purposes use large fascia pricing.

OPTIONS

- Light Shelf Bottom and Cap available in: Black, White, and Silver. Please specify at time of order.
- Integrated FlexShade® See Pricing info to the left.

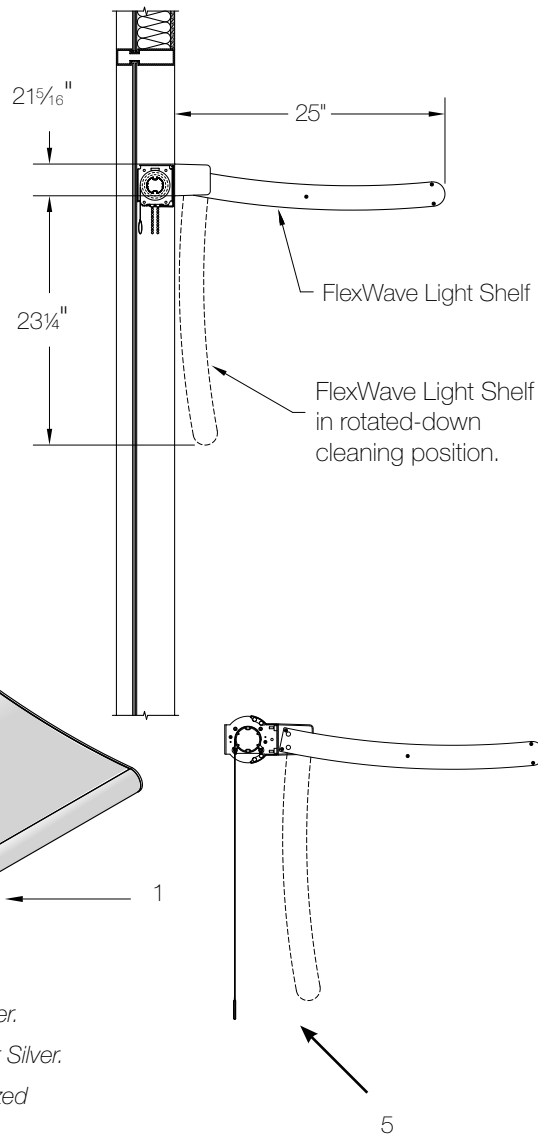
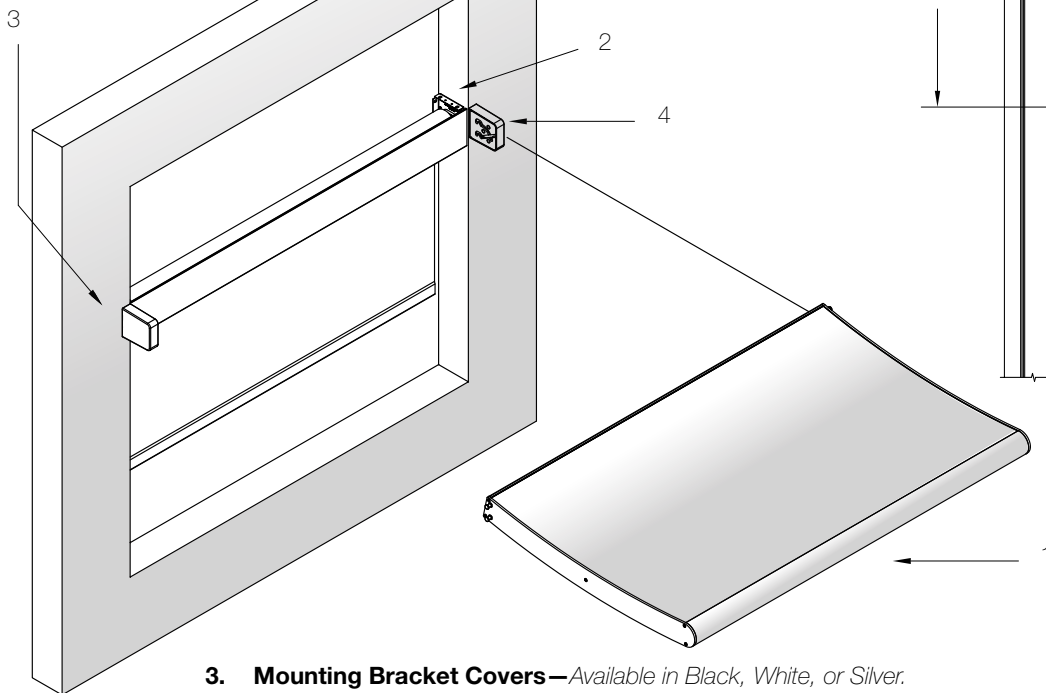
Part No.	Item	Price
--	Mounting Bracket Covers	\$2/pair
--	Bracket Extensions	10/pair

FlexWave Light Shelf Prices

WIDTH	18"	24"	30"	36"	42"	48"	54"	60"	66"	72"	78"	84"
	\$422	\$453	\$484	\$519	\$552	\$587	\$618	\$654	\$688	\$721	\$752	\$788

Components

- FlexWave Light Shelf**—The top is made of a highly reflective aluminum sheet. Front Cap and Bottom are also composed of aluminum and available in Black, White, or Silver.
- Mounting Brackets**—Black, zinc plated steel. Slots allow light shelf to be easily lowered for cleaning, then raised and locked back in place without tools.



- Mounting Bracket Covers**—Available in Black, White, or Silver.
- Mounting Bracket Extensions**—Available in Black, White, or Silver.
- Optional Integrated FlexShade®**—FlexShade® XD, Motorized FlexShade®, and Coupled FlexShade® are available.

Exterior FlexShade® Dimensions

Clutch Exterior FlexShades®

Clutch Exterior FlexShade® dimensions based upon 20 lb. clutch and 1 1/2" diameter roller.

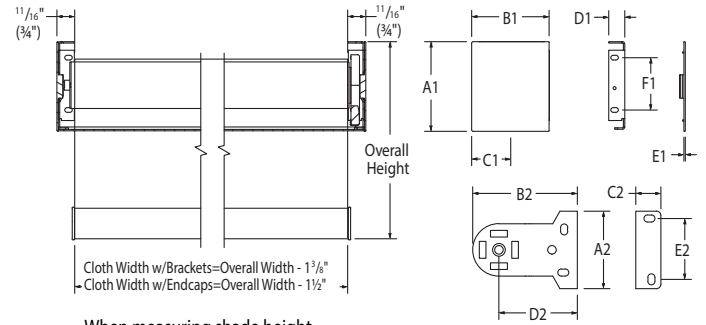
*Small brackets supplied with #10 and #20 clutch. Large brackets optionally available at Draper's discretion.

Minimum width for Clutch Exterior FlexShades®: 6"

	Fascia/End Caps		Brackets*	
	SMALL	LARGE	SMALL	LARGE
A ¹	3 7/8"	4 5/8"	A ²	2 3/16"
B ¹	3 3/8"	4 5/8"	B ²	2 3/8"
C ¹	1 3/16"	1 9/16"	C ²	1 1/16"
D ¹	5/8"	5/8"	D ²	1 5/8"
E ¹	1/16"	3/32"	E ²	1 3/4"
F ¹	2"	3 1/4"	F ²	N/A

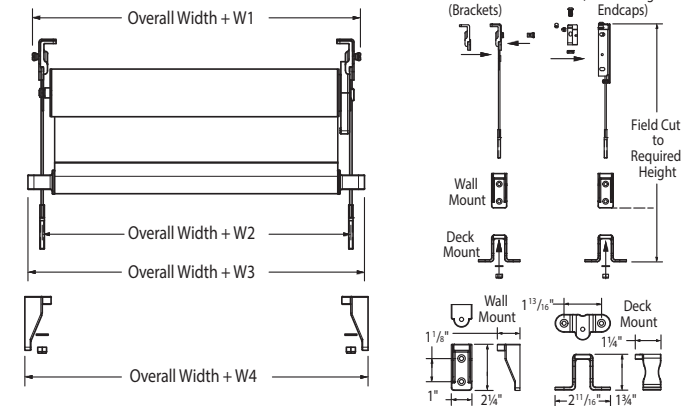
	Fascia/End Caps		Brackets
	SMALL	LARGE	LARGE
W ¹	N/A	N/A	1/2"
W ²	1/2"	1/2"	1/4"
W ³	3/4"	7/8"	5/8"
W ⁴	7/8"	1"	1 1/8"

Critical "X" Measurement: Since the hembar is the widest point on an Exterior Clutch FlexShade®, the "X" measurement is provided to accommodate for that. This is especially critical when two Shades are side by side, or if a shade is inside mounted.



When measuring shade height, remember to include endcaps and fascia or headbox.

Deductions with Optional Cable Guides



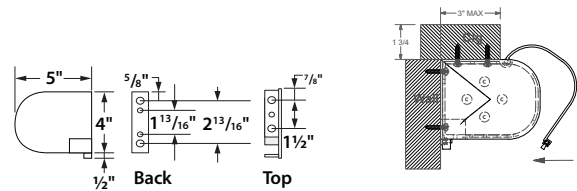
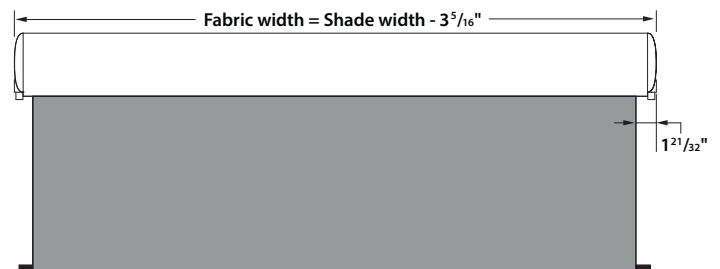
Motorized or Crank Exterior FlexShades®

Optional side channels are 1 1/2" wide x 1" deep. Height is specified by customer when ordering.

Minimum widths for Motorized or Crank Exterior FlexShades®:

- Crank Exterior FlexShades®: 7 3/4"
- Motorized Exterior FlexShades®: 26 11/16"
- Altus or RTS Motors: 29 13/16"

Cranks available in 48", 60", and 72" length.



FlexShade® ZIP

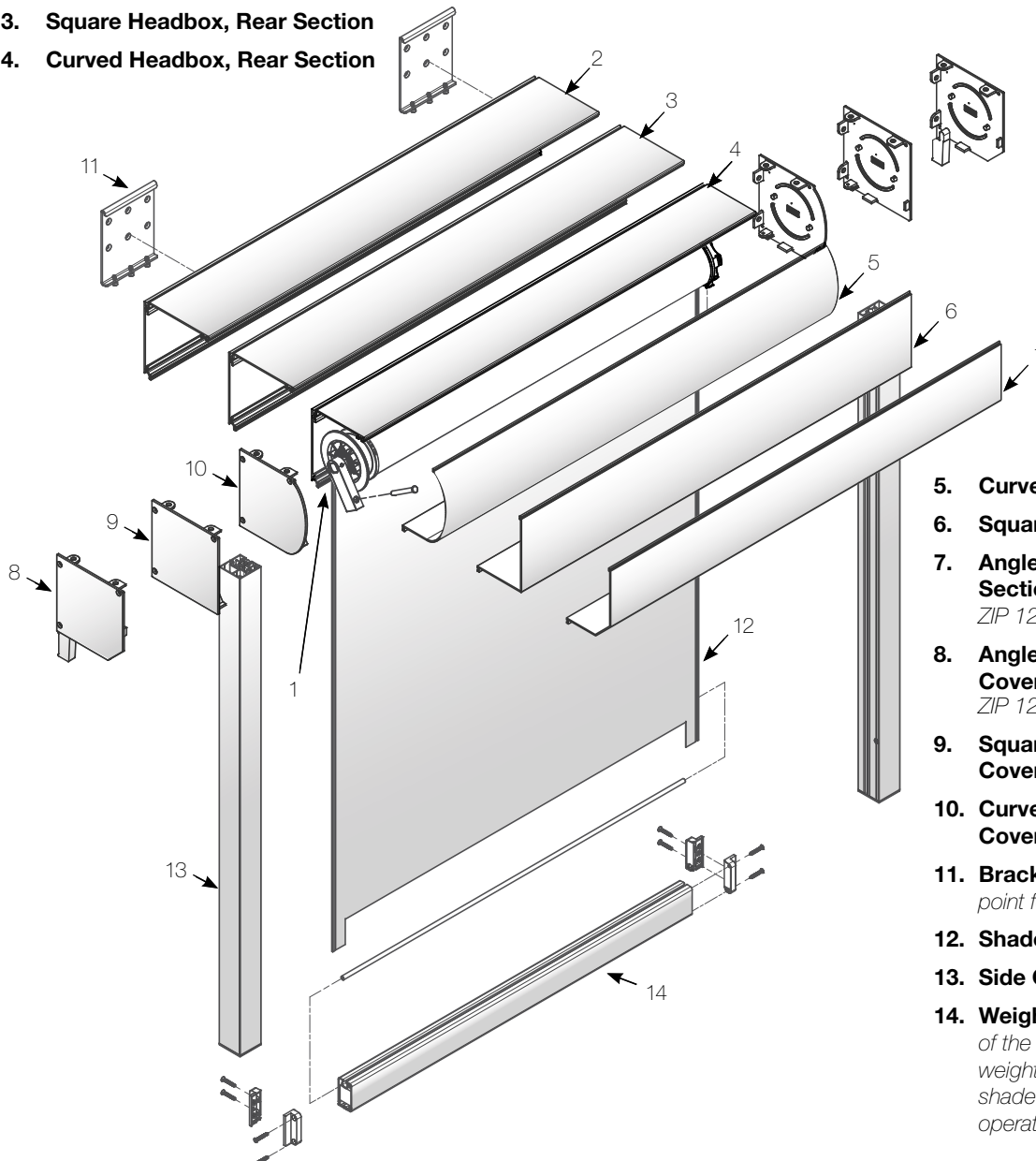
The FlexShade® ZIP system is similar to a standard roller shade but incorporates a 'zip' detail that is welded to the two vertical sides of the fabric panel. The zip edges of the fabric panel run inside inner channels in the side guide extrusions. These inner channels are held inside the side guide extrusion and have cushioning pads to dampen the movement of the fabric panel under wind load. The zip detail stops the fabric from being pulled out of the side guide and makes it very wind resistant.

- Two headbox sizes: 92 mm & 127 mm (height)
- Three headbox designs: square (standard), curved, and angled (FlexShade ZIP 127 only).
- Side Guides can be jamb mounted or face mounted
- Can also serve as an insect screen
- Prevents light penetration at the sides of the system and can be used as a blackout system for interior applications.
- Can be used on both the exterior and interior
- Side guide channel width = 1¾" / 44.45mm (which is significantly smaller than the width of the side guide for a standard blackout system so it leaves a wider window opening)
- Very wind resistant. Wind tunnel tested up to 90 mph with fabric staying in side channels and bottom rail not lifting.
- A variety of Fiberglass core fabrics are available. Polyester core yarn fabrics are not an option with the exception of Soltis.
- Excellent solution for outdoor food service areas and garage door openings

Components

1. **Idler End Assembly with Spring Loaded Gudgeon**—The idler end is the end of the shade where the roller spins freely (or "idles") in the End Cap/bracket.
2. **Angled Headbox, Rear Section**—FlexShade® ZIP utilizes a durable and attractive headbox that contains and protects the shade and operator. Available for FlexShade® ZIP 127 only.
3. **Square Headbox, Rear Section**
4. **Curved Headbox, Rear Section**

SHIPPING NOTE: FlexShade ZIP shades less than 7' wide are carton packed for shipment. Sizes from 7'-12' are shipped with corner guards. Sizes 12' and greater are crated for shipment. Large sizes may require special handling consideration.



FlexShade® ZIP Shades are only offered as motorized. They include an Altus (RTS) motor. If a standard motor is preferred, please specify at time of order and deduct \$300 from price of shade.

5. **Curved Headbox, Front Section**
6. **Square Headbox, Front Section**
7. **Angled Headbox, Front Section**—Available for FlexShade® ZIP 127 only.
8. **Angled End Cap & End Cap Cover**—Available for FlexShade® ZIP 127 only.
9. **Square End Cap & End Cap Cover**
10. **Curved End Cap & End Cap Cover**
11. **Bracket Assembly**—Mounting point for shade.
12. **Shade Cloth and Roller**
13. **Side Guide Channels**
14. **Weighted Hem Bar**—The bottom of the shade cloth contains a weighted bar to help stabilize the shade. This bar is guided during operation by side channel.

FlexShade® ZIP 92

Group 2: Mesh Fabrics

CLOTH WIDTH		48"	60"	72"	84"	96"
HEIGHT	48"	\$1,830	\$1,910	\$2,078	\$2,159	\$2,243
	60"	1,857	1,937	2,109	2,191	2,275
	72"	1,877	1,957	2,136	2,218	2,302
	78"	1,898	1,978	2,162	2,243	2,328

Group 3: Mesh Fabrics

CLOTH WIDTH		48"	60"	72"	84"	96"
HEIGHT	48"	\$1,805	\$1,899	\$2,040	\$2,145	\$2,230
	60"	1,828	1,925	2,069	2,177	2,261
	72"	1,846	1,944	2,090	2,201	2,286
	78"	1,863	1,962	2,112	2,226	2,310

Group 2: Fabric Multipliers

Fabric	Openness Factor	Multiply Above Prices by...
SW2500	1%	1.03
SW2701	1%	1.01
SW2400	3%	1.01
SW2703	3%	1.00
SW Basic	3%	0.99
SW2000	5%	1.00
SW2900	5%	1.00
SW2705	5%	0.99
Suntex 95	5%	0.99
SW Basic	5%	0.97
SW2100*	10%	1.00
SW2600*	10%	1.00
SW2710	10%	0.98
Suntex Design*	10%	0.98
SW3000*	14%	0.98
SW1000*	23%	0.95
Tuff Screen*	45%	0.93

Group 3: Fabric Multipliers

Fabric	Openness Factor	Multiply Above Prices by...	Fabric	Openness Factor	Multiply Above Prices by...	Fabric	Openness Factor	Multiply Above Prices by...
E Screen	1%	1.03	E Screen	3%	1.01	M Screen	5%	1.02
E Screen/KoolBlack	3%	1.12	SilverScreen*	4%	1.23	E Screen	5%	1.00
T Screen/KoolBlack	3%	1.07	E Screen/KoolBlack	5%	1.10	E Screen	10%	0.99
M Screen	3%	1.03	Satine*	5%	1.10	Vienne*	10%	1.00
T Screen*	3%	1.04	T Screen/KoolBlack	5%	1.05	Natte*	12%	1.08

*Not available in 120" roll widths. Seaming information above is based on 120" roll goods.

FlexShade® ZIP 127

Sizes below black line require seams.

Group 2: Mesh Fabrics

CLOTH WIDTH		48"	60"	72"	84"	92"	108"	120"	132"	144"	156"	168"	180"	192"
HEIGHT	48"	\$1,881	\$1,989	\$2,159	\$2,250	\$2,343	\$2,474	\$2,565	\$2,713	\$2,841	\$2,843	\$3,050	\$3,164	\$3,274
	60"	1,924	2,036	2,217	2,309	2,400	2,541	2,633	2,869	3,017	3,018	3,240	3,364	3,486
	72"	1,959	2,077	2,269	2,360	2,453	2,602	2,694	2,890	3,038	3,039	3,260	3,385	3,507
	84"	2,002	2,124	2,328	2,419	2,512	2,669	2,762	2,917	3,064	3,065	3,288	3,411	3,533
	96"	2,046	2,174	2,389	2,480	2,573	2,739	2,832	3,049	3,212	3,216	3,447	3,581	3,711
	108"	2,090	2,221	2,447	2,539	2,630	2,807	2,899	3,075	3,239	3,242	3,473	3,608	3,738
	120"	2,125	2,261	2,499	2,590	2,683	2,868	2,960	3,329	3,481	3,535	3,787	3,941	4,092
	132"	2,179	2,325	2,576	2,674	2,770	2,966	3,061	3,392	3,803	3,871	4,146	4,317	—
	144"	2,223	2,373	2,637	2,735	2,831	3,037	3,131	3,652	3,833	3,901	4,176	—	—
	156"	2,265	2,420	2,695	2,794	2,889	3,104	3,198	3,679	3,859	3,928	—	—	—
	168"	2,302	2,461	2,748	2,847	2,941	3,165	3,259	3,699	3,880	—	—	—	—
	180"	2,345	2,508	2,806	2,904	3,000	3,233	3,327	3,726	—	—	—	—	—
	192"	2,389	2,557	2,867	2,965	3,061	3,302	3,397	3,746	—	—	—	—	—

Group 2: Fabric Multipliers

Fabric	Openness Factor	Multiply Above Prices by...	Fabric	Openness Factor	Multiply Above Prices by...
SW2500	1%	1.03	SW Basic	5%	0.97
SW2701	1%	1.01	SW2100*	10%	1.00
SW2400	3%	1.01	SW2600*	10%	1.00
SW2703	3%	1.00	SW2710	10%	0.98
SW Basic	3%	0.99	Suntex Design*	10%	0.98
SW2000	5%	1.00	SW3000*	14%	0.98
SW2900	5%	1.00	SW1000*	23%	0.95
SW2705	5%	0.99	Tuff Screen*	45%	0.93
Suntex 95	5%	0.99			

*Not available in 120" roll widths. Seaming information above is based on 120" roll goods.

FlexShade® ZIP Shades include Altus (RTS) motor. If a standard motor is preferred, please specify at time of order and deduct \$300 from price of shade.

Headbox options are curved, square, and angled. Specify headbox type at time of order.

Sizes below black line require seams.

Group 3: Mesh Fabrics

CLOTH WIDTH	48"	60"	72"	84"	92"	108"	120"	132"	144"	156"	168"	180"	192"
HEIGHT 48"	\$1,874	\$1,978	\$2,121	\$2,238	\$2,329	\$2,451	\$2,543	\$2,684	\$2,794	\$2,805	\$3,014	\$3,124	\$3,232
60"	1,915	2,022	2,170	2,292	2,385	2,514	2,605	2,770	2,885	2,901	3,115	3,231	3,343
72"	1,950	2,061	2,214	2,342	2,434	2,569	2,662	2,855	2,976	2,998	3,217	3,338	3,457
84"	1,991	2,105	2,264	2,397	2,490	2,631	2,724	2,882	3,002	3,025	3,243	3,365	3,484
96"	2,034	2,151	2,316	2,455	2,547	2,696	2,789	2,990	3,117	3,147	3,373	3,501	3,627
108"	2,075	2,197	2,366	2,511	2,602	2,758	2,851	3,017	3,145	3,173	3,399	3,528	3,653
120"	2,109	2,234	2,410	2,559	2,651	2,815	2,906	3,239	3,385	3,431	3,675	3,821	3,965
132"	2,161	2,295	2,478	2,641	2,735	2,907	3,003	3,302	3,675	3,733	3,997	4,157	—
144"	2,204	2,342	2,529	2,699	2,793	2,973	3,067	3,534	3,704	3,762	4,027	—	—
156"	2,245	2,386	2,580	2,754	2,849	3,035	3,130	3,562	3,731	3,789	—	—	—
168"	2,280	2,424	2,623	2,802	2,897	3,091	3,186	3,582	3,752	—	—	—	—
180"	2,321	2,469	2,672	2,858	2,953	3,153	3,248	3,609	—	—	—	—	—
192"	2,364	2,515	2,725	2,916	3,010	3,218	3,313	3,629	—	—	—	—	—

Group 3: Fabric Multipliers

Fabric	Openness Factor	Multiply Above Prices by...	Fabric	Openness Factor	Multiply Above Prices by...	Fabric	Openness Factor	Multiply Above Prices by...
E Screen	1%	1.03	E Screen	3%	1.01	M Screen	5%	1.02
E Screen/KoolBlack	3%	1.12	SilverScreen*	4%	1.23	E Screen	5%	1.00
T Screen/KoolBlack	3%	1.07	E Screen/KoolBlack	5%	1.10	E Screen	10%	0.99
M Screen	3%	1.03	Satine*	5%	1.10	Vienne*	10%	1.00
T Screen*	3%	1.04	T Screen/KoolBlack	5%	1.05	Natte*	12%	1.08

*Not available in 120" roll widths. Seaming information above is based on 120" roll goods.

Soltis 92—3-4% openness.

CLOTH WIDTH	48"	60"	72"	84"	96"	105"	120"	132"	144"	156"	168"	180"	192"
HEIGHT 48"	\$1,913	\$2,036	\$2,224	\$2,315	\$2,408	\$2,518	\$2,632	\$2,748	\$2,881	\$2,882	\$3,094	\$3,211	\$3,324
60"	1,964	2,094	2,297	2,389	2,481	2,618	2,741	2,863	3,010	3,011	3,233	3,357	3,479
72"	2,008	2,145	2,365	2,456	2,548	2,785	2,923	3,062	3,236	3,240	3,478	3,617	3,754
84"	2,058	2,204	2,438	2,529	2,622	2,811	2,951	3,089	3,263	3,268	3,505	3,645	3,781
96"	2,109	2,263	2,514	2,606	2,697	2,840	2,979	3,119	3,293	3,297	3,534	3,674	3,810
108"	2,160	2,322	2,587	2,680	2,771	3,308	3,492	3,572	3,573	3,637	3,898	4,060	4,221
120"	2,204	2,373	2,654	2,747	2,838	3,327	3,512	3,593	3,594	3,657	3,918	4,081	4,241
132"	2,264	2,447	2,747	2,846	2,940	3,385	3,573	3,952	3,953	4,034	4,321	4,503	—
144"	2,315	2,506	2,822	2,921	3,017	3,415	3,603	3,791	3,983	4,064	4,350	—	—
156"	2,366	2,564	2,896	2,996	3,090	3,442	3,630	3,818	4,010	4,090	—	—	—
168"	2,410	2,616	2,963	3,063	3,157	3,462	3,650	3,838	4,030	—	—	—	—
180"	2,460	2,674	3,037	3,136	3,231	3,489	3,677	3,865	—	—	—	—	—
192"	2,512	2,733	3,113	3,212	3,306	3,519	3,707	3,885	—	—	—	—	—

Soltis 92: Fabric Multipliers

Fabric	Openness Factor	Multiply Above Prices by...
Soltis 92B	0%	1.15
Soltis 88	8%	0.96
Soltis 86	14%	0.96

*Available in 66" roll widths only.

Clear Vinyl Fabric—Clear vinyl material seamed to solid border material providing a view through window.

CLOTH WIDTH	48"	63"	72"	84"	98"	108"	120"	132"	144"	156"	168"	180"	192"
HEIGHT 48"	\$2,046	\$2,188	\$2,336	\$2,469	\$2,609	\$2,716	\$2,829	\$2,935	\$3,062	\$3,090	\$3,316	\$3,443	\$3,568
60"	2,140	2,259	2,424	2,549	2,685	2,796	2,922	3,058	3,193	3,230	3,431	3,535	3,665
72"	2,181	2,332	2,487	2,638	2,752	2,885	3,029	3,170	3,318	3,363	3,606	3,719	3,833
84"	2,234	2,394	2,573	2,685	2,850	2,990	3,144	3,251	3,353	3,394	3,608	3,751	3,891
96"	2,306	2,476	2,616	2,777	2,953	3,101	3,199	3,317	3,469	3,492	3,707	3,818	3,938
108"	2,356	2,507	2,695	2,864	3,050	3,206	3,267	3,426	3,539	3,561	3,781	3,888	3,987
120"	2,415	2,574	2,768	2,946	3,105	3,195	3,333	3,460	3,583	3,595	3,818	3,951	4,061
132"	2,472	2,662	2,865	3,060	3,219	3,320	3,445	3,552	3,683	3,690	3,949	4,061	—
144"	2,513	2,738	2,948	3,103	3,290	3,408	3,518	3,633	3,740	3,798	4,022	—	—
156"	2,575	2,811	2,985	3,178	3,327	3,451	3,554	3,677	3,837	3,861	—	—	—
168"	2,630	2,877	3,025	3,219	3,362	3,479	3,591	3,746	3,887	—	—	—	—
180"	2,691	2,949	3,121	3,264	3,401	3,519	3,656	3,799	—	—	—	—	—
192"	2,757	3,025	3,178	3,305	3,443	3,561	3,708	3,845	—	—	—	—	—

NEW! Crank FlexShade® ZIP 92 Perfect for smaller windows

Group 2: Mesh Fabrics

CLOTH WIDTH	48"	60"	72"	84"	96"	
HEIGHT	48"	\$1,430	\$1,510	\$1,678	\$1,759	\$1,843
	60"	1,457	1,537	1,709	1,791	1,875
	72"	1,477	1,557	1,736	1,818	1,902
	78"	1,498	1,578	1,762	1,843	1,928

Group 3: Mesh Fabrics

CLOTH WIDTH	48"	60"	72"	84"	96"	
HEIGHT	48"	\$1,405	\$1,499	\$1,640	\$1,745	\$1,830
	60"	1,428	1,525	1,669	1,777	1,861
	72"	1,446	1,544	1,690	1,801	1,886
	78"	1,463	1,562	1,712	1,826	1,910

Group 2: Fabric Multipliers

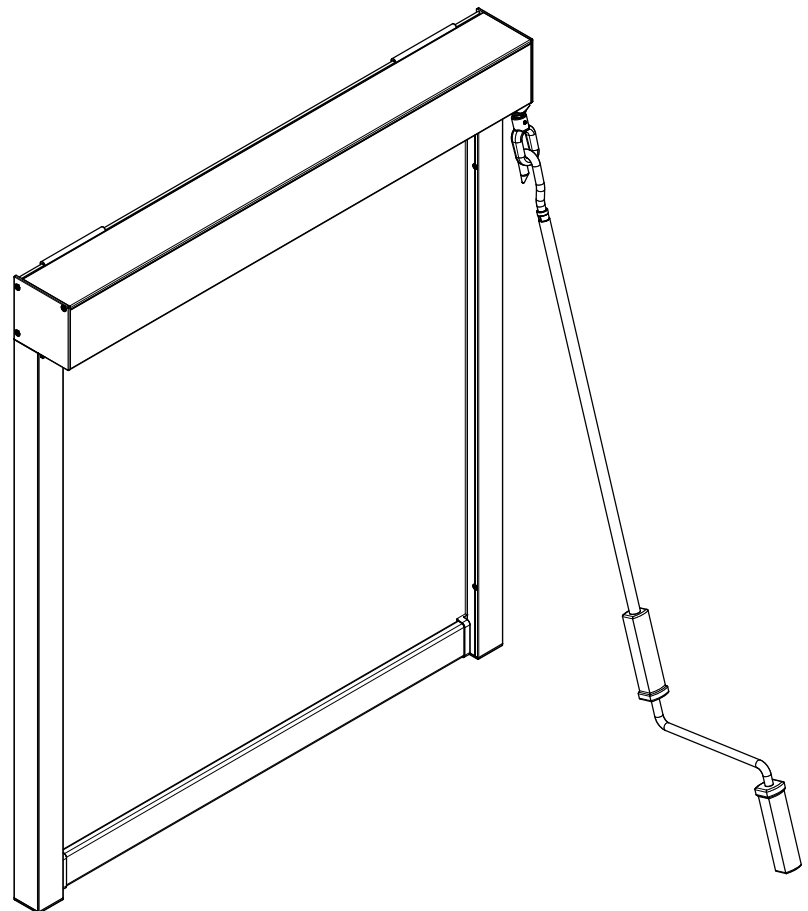
Fabric	Open-ness Factor	Multiply Above Prices by...
SW2500	1%	1.03
SW2701	1%	1.01
SW2400	3%	1.01
SW2703	3%	1.00
SW Basic	3%	0.99
SW2000	5%	1.00
SW2900	5%	1.00
SW2705	5%	0.99
Suntex 95	5%	0.99
SW Basic	5%	0.97
SW2100*	10%	1.00
SW2600*	10%	1.00
SW2710	10%	0.98
Suntex Design*	10%	0.98
SW3000*	14%	0.98
SW1000*	23%	0.95
Tuff Screen*	45%	0.93

*Not available in 120" roll widths. Seaming information above is based on 120" roll goods.

Group 3: Fabric Multipliers

Fabric	Openness Factor	Multiply Above Prices by...	Fabric	Openness Factor	Multiply Above Prices by...	Fabric	Openness Factor	Multiply Above Prices by...
E Screen	1%	1.03	E Screen	3%	1.01	M Screen	5%	1.02
E Screen/KoolBlack	3%	1.12	SilverScreen*	4%	1.23	E Screen	5%	1.00
T Screen/KoolBlack	3%	1.07	E Screen/KoolBlack	5%	1.10	E Screen	10%	0.99
M Screen	3%	1.03	Satine*	5%	1.10	Vienne*	10%	1.00
T Screen*	3%	1.04	T Screen/KoolBlack	5%	1.05	Natte*	12%	1.08

*Not available in 120" roll widths. Seaming information above is based on 120" roll goods.



Not all fabrics will be available in all sizes shown on the grids.

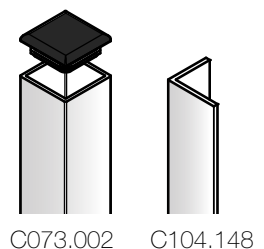
Extrusions and Accessories for FlexShade® ZIP

Liners— Can be used with side channels (2 per channel), bottom hem bar, and/or headbox.

Part No.	Item	Price
C037.002	.140" Height Liner	\$0.10/ft
C037.003	.310" Height Liner	0.12/ft
C037.004	.450" Height Liner	0.18/ft
C037.015	1" Height Liner	3.60/ft

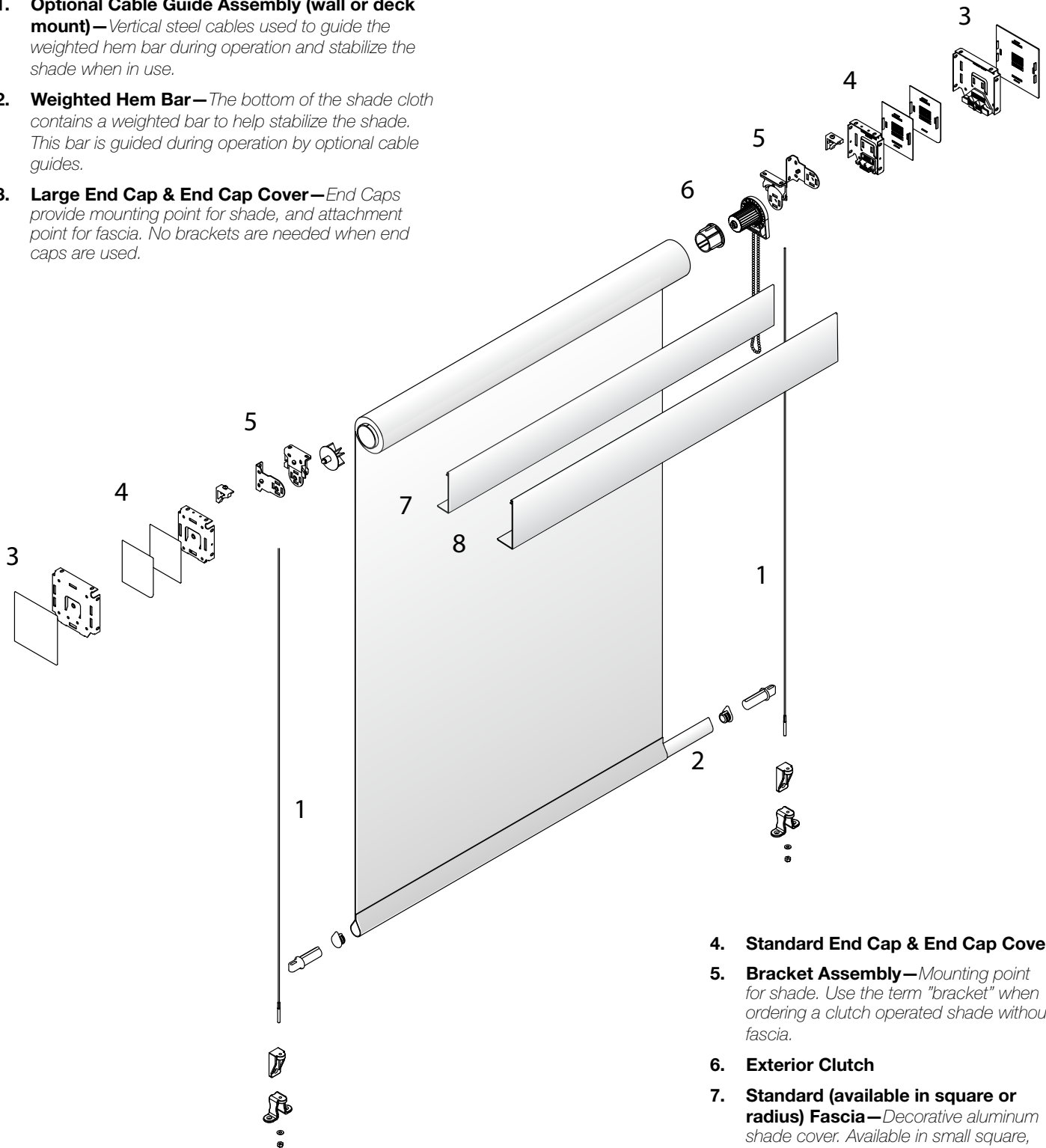
Furr Out options for installation conditions

Part No.	Item	Price
C073.002	Tube Adapter, 1½" Square Aluminum Tube	\$5.30/ft
	Optional Tube Caps (black)	1.30/piece (2 per tube)
C104.148	Angle Adapter— 1½" x 1¼" Angle	3.00/ft



Components

1. **Optional Cable Guide Assembly (wall or deck mount)**—Vertical steel cables used to guide the weighted hem bar during operation and stabilize the shade when in use.
2. **Weighted Hem Bar**—The bottom of the shade cloth contains a weighted bar to help stabilize the shade. This bar is guided during operation by optional cable guides.
3. **Large End Cap & End Cap Cover**—End Caps provide mounting point for shade, and attachment point for fascia. No brackets are needed when end caps are used.



4. **Standard End Cap & End Cap Cover**
5. **Bracket Assembly**—Mounting point for shade. Use the term "bracket" when ordering a clutch operated shade without fascia.
6. **Exterior Clutch**
7. **Standard (available in square or radius) Fascia**—Decorative aluminum shade cover. Available in small square, small radius or large square styles.
8. **Large (available in square or radius) Fascia.**

See page 85 for critical "X" measurement information

To include optional Cable Guide Kit add \$150 and specify wall or deck mount for bottom attachment when ordering (includes slat cable guides, wall or deck mount hardware, and 13' of cable).

Clutch Exterior FlexShade® Fabrics

Fascia Prices for Clutch Exterior FlexShades®

CLOTH WIDTH	31"	36"	42"	45"	48"	54"	60"	63"	72"	84"	98"	108"	120"	132"
3 ⁷ / ₈ " Sm. Radius Fascia	\$26	\$28	\$30	\$31	\$32	\$34	\$37	\$38	\$41	\$45	\$51	\$58	\$62	\$66
3 ⁷ / ₈ " Sm. Square Fascia	26	28	30	31	32	34	37	38	41	45	51	58	62	66
4 ⁵ / ₈ " Lg. Radius Fascia	32	34	36	38	41	44	47	48	53	59	65	77	83	89
4 ⁵ / ₈ " Lg. Square Fascia	32	34	36	38	41	44	47	48	53	59	65	77	83	89

Sizes below black line require seams. — Sizes in green require large fascia/headbox. All others use small fascia/headbox.

To include optional Cable Guide Kit add \$150 and specify wall or deck mount for bottom attachment when ordering.

Group 1: Mesh Fabrics

CLOTH WIDTH	31"	42"	48"	54"	63"	72"	84"	98"	108"	120"	132"
HEIGHT											
36"	\$132	\$155	\$169	\$185	\$198	\$222	\$243	\$279	\$335	\$367	\$530
42"	138	163	177	196	209	236	257	296	356	494	583
48"	144	171	186	207	221	250	272	313	377	515	584
54"	150	178	195	218	232	264	286	338	398	536	668
60"	156	186	204	229	243	278	301	355	420	564	669
66"	162	193	213	240	254	292	315	371	556	585	670
72"	168	201	221	251	265	306	329	388	577	606	671
78"	176	210	232	263	277	322	346	406	600	629	725
84"	182	218	241	274	288	336	360	503	621	650	726
90"	188	226	249	285	299	350	374	520	642	671	—
96"	194	233	258	295	310	363	389	537	670	693	—
108"	206	249	276	317	333	391	433	571	713	—	—
120"	220	267	296	342	357	422	560	634	758	—	—
132"	232	282	314	372	379	450	589	673	800	—	—
144"	244	297	331	394	401	567	618	707	—	—	—

Large Hardware information above based on PW4400—may vary for some fabrics

Group 2: Mesh Fabrics

CLOTH WIDTH	31"	42"	48"	54"	63"	72"	84"	98"	108"	120"	132"
HEIGHT											
36"	\$140	\$163	\$173	\$190	\$202	\$212	\$259	\$278	\$346	\$378	\$430
42"	147	171	182	202	214	224	277	296	368	401	486
48"	153	181	192	214	226	236	295	314	391	424	607
54"	159	190	201	225	237	248	311	349	414	446	746
60"	166	199	210	237	249	260	329	367	436	581	747
66"	172	208	220	248	261	271	347	385	459	603	748
72"	178	218	229	259	273	283	365	403	481	626	749
78"	186	228	240	273	286	297	383	422	506	650	751
84"	193	238	249	285	298	308	401	440	529	673	752
90"	199	247	259	296	310	320	419	458	556	696	863
96"	205	256	268	308	321	332	436	476	576	718	886
108"	218	275	287	331	345	355	471	511	611	763	—
120"	233	295	308	356	371	382	509	555	666	—	—
132"	246	314	327	380	395	405	564	617	734	—	—
144"	259	342	346	403	418	429	599	653	780	—	—

Large Hardware information above based on Suntex Design 10%—may vary for some fabrics

Group 1: Fabric Multipliers

Fabric	Openness Factor	Multiply Above Prices by...
PW4100*	10%	0.97
PW3500	5%	1.00
PW4500*	5%	1.05
PW4550*	5%	1.05
PW4600*	3%	1.12
PW4650*	3%	1.12
PW4903	3%	1.07
PW4400	3%	1.07
PW4901	1%	1.14
PW4800	1%	1.14

Group 2: Fabric Multipliers

Fabric	Openness Factor	Multiply Above Prices by...
SW1000*	23%	0.80
SW3000*	14%	0.90
SW2100*	10%	0.96
SW2710*	10%	0.92
SW2600*	10%	0.94
Suntex Design*	10%	0.93
Suntex 90*	10%	0.82
SW Basic*	5%	0.89
Suntex 95	5%	0.93

Fabric	Openness Factor	Multiply Above Prices by...
SW2705	5%	0.95
SW2900	5%	1.00
SW2000	5%	1.00
SW Basic*	3%	0.96
SW2703	3%	0.99
SW2400	3%	1.04
SW2701	1%	1.05
SW2500	1%	1.10

*Not available in 120" roll widths. Seaming information above is based on 120" roll goods.

Not all fabrics are available in every size: Contact Draper.

Clutch Exterior FlexShade® Fabrics

Fascia Prices for Clutch Exterior FlexShades®

CLOTH WIDTH	31"	36"	42"	45"	48"	54"	60"	63"	72"	84"	98"	108"	120"	132"
3 ⁷ / ₈ " Sm. Radius Fascia	\$26	\$28	\$30	\$31	\$32	\$34	\$37	\$38	\$41	\$45	\$51	\$58	\$62	\$66
3 ⁷ / ₈ " Sm. Square Fascia	26	28	30	31	32	34	37	38	41	45	51	58	62	66
4 ⁵ / ₈ " Lg. Radius Fascia	32	34	36	38	41	44	47	48	53	59	65	77	83	89
4 ⁵ / ₈ " Lg. Square Fascia	32	34	36	38	41	44	47	48	53	59	65	77	83	89

Sizes below black line require seams. — Sizes in green require large fascia/headbox. All others use small fascia/headbox.

To include optional Cable Guide Kit add \$150 and specify wall or deck mount for bottom attachment when ordering.

Group 3: Mesh Fabrics

CLOTH WIDTH	38"	48"	60"	78"	84"	98"	108"	120"	132"
HEIGHT 36"	\$143	\$164	\$188	\$218	\$250	\$261	\$318	\$351	\$403
42"	150	172	198	230	266	276	337	370	444
48"	156	180	208	243	281	291	356	389	564
54"	163	188	218	255	296	324	375	407	625
60"	170	197	228	268	312	340	394	538	626
66"	177	205	238	280	327	355	413	557	627
72"	183	213	248	293	342	370	431	576	693
78"	192	223	259	307	360	387	452	596	696
84"	198	231	269	320	375	403	471	615	697
90"	205	239	279	332	390	418	605	634	778
96"	212	247	289	345	406	433	631	653	779
108"	225	263	309	370	436	464	668	691	815
120"	241	282	331	397	470	603	709	731	—
132"	255	299	351	422	501	641	747	769	—
144"	268	315	371	447	531	671	784	—	—

Large Hardware information above based on T Screen 3%—may vary for some fabrics

Not all fabrics are available in every size: Contact Draper.

Group 3: Fabric Multipliers

Fabric	Openness Factor	Multiply Prices by...
Natte*	12%	1.32
Vienne*	10%	0.97
E Screen	10%	0.97
M Screen	5%	1.08
E Screen	5%	1.00
Satine*	5%	1.42
E Screen	3%	1.05
T Screen*	3%	1.13
M Screen	3%	1.12
E Screen	1%	1.12

*Not available in 120" roll widths.

Seaming information above is based on 120" roll goods.

SW5000 (openness varies, railroading not recommended)

CLOTH WIDTH	36"	42"	48"	54"	60"	72"	84"	98"
HEIGHT 36"	\$158	\$182	\$187	\$232	\$237	\$248	\$296	\$306
42"	167	193	198	248	254	264	318	328
48"	175	204	209	265	270	281	339	367
54"	184	215	221	281	287	297	361	389
60"	193	227	232	298	303	314	383	410
66"	202	238	243	315	320	330	404	432
72"	210	249	255	331	336	347	426	454
78"	221	262	268	349	355	365	449	477
84"	229	274	279	366	371	382	471	499
90"	238	285	290	383	388	398	492	520
96"	247	296	301	399	404	415	514	542
108"	264	319	324	432	438	448	557	585
120"	285	344	349	468	473	484	603	737
132"	302	366	372	501	506	517	647	787
144"	319	389	394	534	540	550	690	830

Soltis 92—3-4% openness.

CLOTH WIDTH	31"	42"	48"	54"	63"	69"	84"	98"	105"	120"	132"
HEIGHT 36"	\$191	\$196	\$201	\$238	\$243	\$254	\$326	\$336	\$422	\$481	\$522
42"	204	210	215	256	261	271	352	362	423	482	636
48"	218	223	228	273	278	289	378	388	424	588	644
54"	231	236	242	291	296	306	404	431	503	675	740
60"	245	250	255	308	313	324	430	457	594	676	740
66"	258	263	268	326	331	342	456	483	595	677	742
72"	271	277	282	343	349	359	481	509	662	857	931
78"	286	292	297	363	368	378	509	537	664	860	934
84"	300	305	310	380	385	396	535	563	780	861	935
90"	313	318	324	398	403	413	561	588	1,016	1,123	1,222
96"	327	332	337	415	420	431	586	614	1,024	1,124	1,223
108"	353	359	364	450	456	466	638	666	1,100	1,197	1,299
120"	383	388	393	488	493	504	693	826	1,104	1,201	1,303
132"	410	415	420	523	528	539	744	884	1,106	1,203	1,305
144"	436	442	447	558	564	574	796	936	1,108	1,205	1,307

Soltis 92: Fabric Multipliers

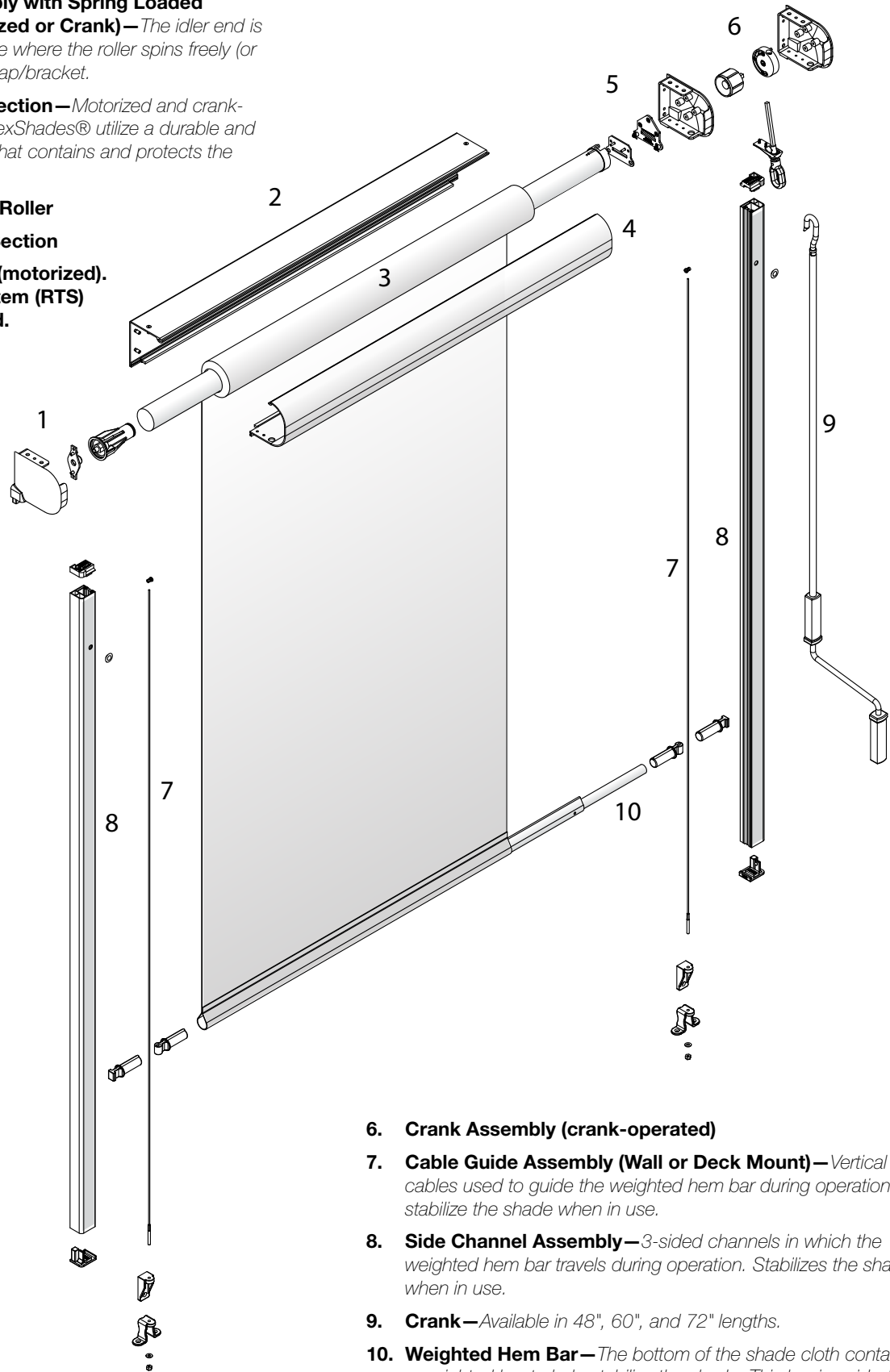
Fabric	Openness Factor	Multiply Above Prices by...
Soltis 86	14%	0.82
Soltis 88	8%	0.82
Soltis B92N*	Opaque	1.22

*Available in 66" roll widths only.

Crank & Motorized Exterior FlexShades®

Components

- 1. Idler End Assembly with Spring Loaded Gudgeon (Motorized or Crank)**—The idler end is the end of the shade where the roller spins freely (or "idles") in the End Cap/bracket.
- 2. Headbox, Rear Section**—Motorized and crank-operated Exterior FlexShades® utilize a durable and attractive headbox that contains and protects the shade and operator.
- 3. Shade Cloth and Roller**
- 4. Headbox, Front Section**
- 5. Motor Assembly (motorized). Radio Motor System (RTS) motor is standard.**



- 6. Crank Assembly (crank-operated)**
- 7. Cable Guide Assembly (Wall or Deck Mount)**—Vertical steel cables used to guide the weighted hem bar during operation and stabilize the shade when in use.
- 8. Side Channel Assembly**—3-sided channels in which the weighted hem bar travels during operation. Stabilizes the shade when in use.
- 9. Crank**—Available in 48", 60", and 72" lengths.
- 10. Weighted Hem Bar**—The bottom of the shade cloth contains a weighted bar to help stabilize the shade. This bar is guided by cable guides or side channels in motorized or clutch-operated units.

Crank & Motorized Exterior FlexShades® ship with headbox, end caps and shade fully assembled.

Crank Exterior FlexShades®

The fabric grids below serve as a base for your Crank Exterior FlexShade pricing. Either Side Channels or Cable Guides must be added at time of order. Shade only is **NOT** an option. See finish options for pricing.

Crank Exterior FlexShades are only available with square headbox. Headbox price included in grids.

Sizes below black line require seams.

Group 1: Mesh Fabrics

CLOTH WIDTH	31"	42"	48"	54"	63"	72"	84"	98"	108"	120"	132"
HEIGHT											
36"	\$441	\$490	\$519	\$557	\$588	\$643	\$685	\$749	\$818	\$955	\$1,005
42"	448	499	529	569	600	658	700	767	840	977	1,059
48"	455	508	539	581	612	674	715	784	948	999	1,131
54"	462	517	549	593	624	689	731	802	971	1,021	—
60"	469	525	558	605	636	705	746	820	993	1,044	—
66"	476	534	568	617	648	720	762	838	1,015	1,066	—
72"	483	542	578	629	660	735	777	855	1,037	1,088	—
78"	492	553	590	643	674	753	795	875	1,061	—	—
84"	499	562	600	655	686	768	810	893	1,084	—	—
90"	506	570	609	667	698	784	825	910	—	—	—
96"	513	579	619	680	711	799	841	928	—	—	—
108"	527	597	639	704	735	830	872	963	—	—	—
120"	544	617	661	731	762	864	906	—	—	—	—
132"	558	634	681	755	786	895	936	—	—	—	—

Size availability based on PW4400—may vary for some fabrics

Group 2: Mesh Fabrics

CLOTH WIDTH	31"	42"	48"	54"	63"	72"	84"	98"	108"	120"	132"
HEIGHT											
36"	\$460	\$503	\$523	\$562	\$583	\$668	\$710	\$750	\$829	\$966	\$1,018
42"	468	513	534	575	595	687	728	769	852	989	1,075
48"	475	524	544	588	608	705	747	788	876	1,013	1,077
54"	482	534	555	601	621	724	766	807	900	1,037	1,217
60"	490	545	565	614	634	743	785	826	923	1,060	1,219
66"	497	555	575	626	647	762	804	845	1,033	1,084	—
72"	505	565	586	639	660	781	823	863	1,057	1,108	—
78"	514	577	598	654	674	802	843	884	1,083	1,133	—
84"	521	588	608	667	687	820	862	903	1,106	1,157	—
90"	528	598	619	679	700	839	881	922	1,130	—	—
96"	536	609	629	692	713	858	900	941	1,154	—	—
108"	551	630	650	718	738	896	938	979	—	—	—
120"	568	653	674	746	767	937	978	1,019	—	—	—
132"	583	674	694	772	792	974	1,016	1,057	—	—	—

Size availability based on Suntex 90—may vary for some fabrics

Group 1: Fabric Multipliers

Fabric	Openness Factor	Multiply Above Prices by...
PW4100*	10%	0.97
PW3500	5%	1.00
PW4500*	5%	1.05
PW4550*	5%	1.05
PW4600*	3%	1.12
PW4650*	3%	1.12
PW4903	3%	1.07
PW4400	3%	1.07
PW4901	1%	1.14
PW4800	1%	1.14

Group 2: Fabric Multipliers

Fabric	Openness Factor	Multiply Above Prices by...	Fabric	Openness Factor	Multiply Above Prices by...
SW1000*	23%	0.80	SW2705	5%	0.95
SW3000*	14%	0.90	SW2900	5%	1.00
SW2100*	10%	0.96	SW2000	5%	1.00
SW2710*	10%	0.92	SW Basic*	3%	0.96
SW2600*	10%	0.94	SW2703	3%	0.99
Suntex Design*	10%	0.93	SW2400	3%	1.04
Suntex 90*	10%	0.82	SW2701	1%	1.05
SW Basic*	5%	0.89	SW2500	1%	1.10
Suntex 95	5%	0.93			

*Not available in 120" roll widths. Seaming information above is based on 120" roll goods.

Not all fabrics are available in every size: Contact Draper.

CHOOSE FINISH Option for Crank Exterior FlexShades®

Side Channel Prices for Crank Exterior FlexShades®—

CHANNEL LENGTH	36"	42"	48"	54"	60"	66"	72"	78"	84"	90"	96"	108"	120"	132"
Add to Fabric Grid	\$72	\$79	\$85	\$92	\$96	\$104	\$111	\$117	\$124	\$130	\$137	\$149	\$162	\$175

OR

Cable Guide for Crank Exterior FlexShades®— Add \$150 to Fabric Grid

Includes cable (cut to size during installation), and wall and deck mount brackets in 5 standard Draper colors.

Crank Exterior FlexShades®

The fabric grids below serve as a base for your Crank Exterior FlexShade pricing. Either Side Channels or Cable Guides must be added at time of order. Shade only is **NOT** an option. See finish options for pricing.

Crank Exterior FlexShades are only available with square headbox. Headbox price included in grids.

Sizes below black line require seams.

Group 3: Mesh Fabrics

CLOTH WIDTH	38"	48"	60"	78"	84"	98"	108"	120"	132"
HEIGHT									
36"	\$463	\$514	\$569	\$629	\$692	\$733	\$801	\$938	\$991
42"	471	523	580	643	708	749	821	958	1,033
48"	478	533	591	656	724	765	841	978	1,034
54"	486	542	602	670	741	782	861	998	1,096
60"	494	551	613	683	758	798	881	1,018	1,098
66"	502	560	624	697	774	815	907	1,038	1,100
72"	509	569	634	710	790	831	1,007	1,057	1,168
78"	519	581	647	726	809	849	1,029	1,079	1,172
84"	527	590	658	739	825	866	1,049	1,099	1,287
90"	535	599	669	753	841	882	1,068	1,119	—
96"	543	608	680	767	858	899	1,089	—	—
108"	558	627	702	794	891	932	1,128	—	—
120"	576	648	727	824	926	967	—	—	—
132"	592	666	749	851	959	1,000	—	—	—

Group 3: Fabric

Multipliers

Fabric	Open-ness Factor	Multiply Prices by...
Natte*	12%	1.32
Vienne*	10%	0.97
E Screen	10%	0.97
M Screen	5%	1.08
E Screen	5%	1.00
Satine*	5%	1.42
E Screen	3%	1.05
T Screen*	3%	1.13
M Screen	3%	1.12
E Screen	1%	1.12

Size availability based on T Screen 3%—may vary for some fabrics

Not all fabrics are available in every size: Contact Draper.

*Not available in 120" roll widths.
Seaming information above is based on 120" roll goods.

SW5000 (openness varies, railroading not recommended)

CLOTH WIDTH	36"	42"	48"	54"	60"	72"	84"	96"
HEIGHT								
36"	\$478	\$517	\$537	\$597	\$618	\$659	\$738	\$778
42"	488	529	550	615	635	676	760	801
48"	497	541	562	632	653	694	783	824
54"	507	554	574	650	671	712	806	847
60"	517	566	587	668	688	729	828	869
66"	527	578	599	685	706	747	851	892
72"	536	591	611	703	723	764	874	914
78"	548	605	625	722	743	784	898	939
84"	558	617	638	740	761	801	921	962
90"	568	629	650	758	778	819	943	984
96"	578	642	662	775	796	837	966	1,007
108"	597	667	687	811	831	872	1,012	1,052
120"	620	694	715	849	869	910	1,060	1,101
132"	639	719	739	884	904	945	1,105	1,146

Soltis 92: Fabric Multipliers

Fabric	Openness Factor	Multiply Above Prices by...
Soltis 86	14%	0.82
Soltis 88	8%	0.82
Soltis B92N*	Opaque	1.22

*Available in 66" roll widths only.

Soltis 92—3-4% openness.

CLOTH WIDTH	31"	42"	48"	54"	63"	69"	84"	98"	105"	120"	132"
HEIGHT											
36"	\$511	\$531	\$552	\$604	\$628	\$669	\$771	\$808	\$852	\$1,068	\$1,109
42"	525	546	566	622	643	683	794	835	879	1,070	1,111
48"	540	560	581	641	661	702	821	862	906	1,072	1,113
54"	554	575	595	659	680	721	848	889	933	1,161	1,210
60"	569	589	610	678	699	739	875	916	960	1,163	1,212
66"	583	604	624	697	717	758	902	943	1,073	1,165	1,214
72"	598	618	638	715	736	776	929	970	1,100	1,340	1,482
78"	614	634	655	736	756	797	958	999	1,129	1,344	1,492
84"	628	649	669	754	775	816	985	1,026	1,156	1,346	1,500
90"	643	663	684	773	793	834	1,012	1,052	1,183	1,348	1,769
96"	657	678	698	792	812	853	1,039	1,080	1,210	1,349	—
108"	686	707	727	829	849	890	1,092	1,133	1,341	1,681	—
120"	718	738	759	869	889	930	1,149	1,190	1,395	1,689	—
132"	747	767	787	906	926	967	1,203	1,244	1,449	1,697	—

CHOOSE FINISH Option for CRANK Exterior FlexShades®

Side Channel Prices for Crank Exterior FlexShades®—

CHANNEL LENGTH	36"	42"	48"	54"	60"	66"	72"	78"	84"	90"	96"	108"	120"	132"
Add to Fabric Grid	\$72	\$79	\$85	\$92	\$96	\$104	\$111	\$117	\$124	\$130	\$137	\$149	\$162	\$175

OR

Cable Guide for Crank Exterior FlexShades®— Add \$150 to Fabric Grid

Includes cable (cut to size during installation), and wall and deck mount brackets in 5 standard Draper colors.

Motorized Exterior FlexShades®

The fabric grids below serve as a base for your Crank Exterior FlexShade pricing. Either Side Channels or Cable Guides must be added at time of order. Shade only is **NOT** an option. See finish options for pricing.

Headbox, and RTS motor price included in grids. See page 96 for RTS control options.

If standard motor is preferred, deduct \$170 from price below. See page 22 for standard motor control options.

Sizes below black line require seams.

Group 1: Mesh Fabrics

CLOTH WIDTH	31"	42"	48"	54"	63"	72"	84"	98"	108"	120"	132"	
HEIGHT	36"	\$991	\$1,046	\$1,078	\$1,120	\$1,154	\$1,215	\$1,260	\$1,333	\$1,409	\$1,561	\$1,657
	42"	999	1,056	1,089	1,133	1,167	1,232	1,277	1,353	1,434	1,586	1,716
	48"	1,007	1,065	1,100	1,146	1,181	1,249	1,294	1,372	1,554	1,611	1,718
	54"	1,015	1,075	1,111	1,160	1,194	1,267	1,311	1,392	1,579	1,635	1,806
	60"	1,022	1,085	1,122	1,174	1,208	1,284	1,329	1,412	1,604	1,660	1,808
	66"	1,030	1,094	1,132	1,187	1,221	1,301	1,346	1,431	1,628	1,685	1,810
	72"	1,038	1,104	1,143	1,200	1,235	1,318	1,363	1,451	1,653	1,709	1,812
	78"	1,048	1,116	1,156	1,216	1,250	1,337	1,382	1,473	1,680	1,736	1,874
	84"	1,055	1,125	1,167	1,229	1,263	1,354	1,399	1,492	1,704	1,761	1,876
	90"	1,063	1,135	1,178	1,242	1,277	1,372	1,416	1,512	1,729	1,785	1,992
	96"	1,071	1,145	1,189	1,256	1,290	1,389	1,434	1,532	1,754	1,810	1,995
	108"	1,087	1,164	1,211	1,283	1,317	1,423	1,468	1,571	1,803	1,859	—
120"	1,106	1,187	1,236	1,313	1,347	1,461	1,505	1,614	1,856	1,912	—	
132"	1,121	1,206	1,258	1,340	1,374	1,495	1,539	1,653	1,905	1,961	—	

Size availability based on PW4400—may vary for some fabrics

Group 2: Mesh Fabrics

CLOTH WIDTH	31"	42"	48"	54"	63"	72"	84"	98"	108"	120"	132"	
HEIGHT	36"	\$1,012	\$1,060	\$1,083	\$1,126	\$1,148	\$1,243	\$1,287	\$1,335	\$1,421	\$1,573	\$1,671
	42"	1,021	1,071	1,094	1,140	1,163	1,264	1,308	1,356	1,448	1,600	1,735
	48"	1,029	1,083	1,105	1,154	1,177	1,285	1,329	1,376	1,474	1,626	1,737
	54"	1,037	1,095	1,117	1,169	1,191	1,306	1,350	1,398	1,500	1,652	1,892
	60"	1,045	1,106	1,129	1,183	1,206	1,327	1,371	1,419	1,527	1,679	1,894
	66"	1,053	1,118	1,140	1,197	1,220	1,348	1,392	1,439	1,649	1,705	1,896
	72"	1,062	1,129	1,152	1,211	1,234	1,368	1,413	1,460	1,675	1,731	1,899
	78"	1,072	1,143	1,165	1,227	1,250	1,392	1,436	1,483	1,703	1,759	1,903
	84"	1,080	1,154	1,177	1,242	1,264	1,412	1,457	1,504	1,729	1,786	1,905
	90"	1,088	1,166	1,188	1,256	1,279	1,433	1,478	1,525	1,756	1,812	2,030
	96"	1,097	1,178	1,200	1,270	1,293	1,455	1,499	1,546	1,782	1,839	2,032
	108"	1,113	1,201	1,223	1,299	1,321	1,496	1,541	1,588	1,835	1,891	2,036
120"	1,133	1,227	1,250	1,330	1,353	1,541	1,586	1,633	1,891	1,947	2,405	
132"	1,149	1,250	1,272	1,359	1,381	1,583	1,628	1,675	1,943	1,999	—	

Size availability based on Suntex 90—may vary for some fabrics

Group 1: Fabric Multipliers

Group 2: Fabric Multipliers

Fabric	Openness Factor	Multiply Above Prices by...
PW4100*	10%	0.99
PW3500 (4000)	5%	1.00
PW4500*	5%	1.02
PW4550*	5%	1.02
PW4903	3%	1.03
PW4400	3%	1.03
PW4600*	3%	1.05
PW4650*	3%	1.05
PW4901*	1%	1.06
PW4800*	1%	1.06

Fabric	Openness Factor	Multiply Above Prices by...
SW1000*	23%	0.89
SW3000*	14%	0.96
SW2100*	10%	0.99
SW2710*	10%	0.95
SW2600*	10%	0.98
Suntex Design*	10%	0.98
Suntex 90*	10%	0.93
SW Basic*	5%	0.95
Suntex 95	5%	0.97

Fabric	Openness Factor	Multiply Above Prices by...
SW2705	5%	0.98
SW2900	5%	1.00
SW2000	5%	1.00
SW Basic*	3%	0.98
SW2703	3%	1.00
SW2400	3%	1.02
SW2701	1%	1.03
SW2500	1%	1.05

*Not available in 120" roll widths. Seaming information above is based on 120" roll goods.

Not all fabrics are available in every size: Contact Draper.

CHOOSE FINISH Option for MOTORIZED Exterior FlexShades®

Side Channel Prices for Motorized Exterior FlexShades®—

CHANNEL LENGTH	36"	42"	48"	54"	60"	66"	72"	78"	84"	90"	96"	108"	120"	132"
Add to Fabric Grid	\$72	\$79	\$85	\$92	\$96	\$104	\$111	\$117	\$124	\$130	\$137	\$149	\$162	\$175

OR

Cable Guide for Motorized Exterior FlexShades®— Add \$150 to Fabric Grid

Includes cable (cut to size during installation), and wall and deck mount brackets in 5 standard Draper colors.

Motorized Exterior FlexShades®

The fabric grids below serve as a base for your Crank Exterior FlexShade pricing. Either Side Channels or Cable Guides must be added at time of order. Shade only is **NOT** an option. See finish options for pricing.

Headbox, and RTS motor price included in grids. See page 96 for RTS control options.

If standard motor is preferred, deduct \$170 from price below. See page 22 for standard motor control options.

Sizes below black line require seams.

Group 3: Mesh Fabrics

CLOTH WIDTH	36"	48"	54"	60"	84"	96"	108"	120"	132"
HEIGHT 36"	\$1,015	\$1,073	\$1,110	\$1,133	\$1,268	\$1,315	\$1,391	\$1,543	\$1,641
42"	1,024	1,083	1,123	1,145	1,286	1,333	1,413	1,565	1,687
48"	1,033	1,093	1,135	1,157	1,304	1,351	1,435	1,587	1,689
54"	1,041	1,103	1,147	1,170	1,323	1,370	1,457	1,609	1,758
60"	1,050	1,114	1,159	1,182	1,341	1,388	1,479	1,631	1,760
66"	1,059	1,124	1,171	1,194	1,359	1,406	1,597	1,653	1,762
72"	1,067	1,134	1,183	1,206	1,377	1,424	1,619	1,675	1,837
78"	1,078	1,146	1,198	1,220	1,397	1,445	1,643	1,700	1,842
84"	1,086	1,156	1,210	1,232	1,416	1,463	1,665	1,722	1,844
90"	1,095	1,166	1,222	1,244	1,434	1,481	1,687	1,744	1,935
96"	1,104	1,177	1,234	1,257	1,452	1,499	1,710	1,766	1,937
108"	1,121	1,197	1,258	1,281	1,489	1,536	1,754	1,810	1,941
120"	1,141	1,221	1,286	1,308	1,528	1,575	1,802	1,858	2,262
132"	1,158	1,241	1,310	1,333	1,565	1,612	1,846	1,902	—

Size availability based on T Screen 3%—may vary for some fabrics

Not all fabrics are available in every size: Contact Draper.

Group 3: Fabric Multipliers

Fabric	Openness Factor	Multiply Prices by...
Natte*	12%	1.05
Vienne*	10%	0.99
E Screen	10%	0.99
M Screen	5%	1.04
E Screen	5%	1.00
Satine*	5%	1.20
E Screen	3%	1.02
T Screen*	3%	1.06
M Screen	3%	1.06
E Screen	1%	1.06

*Not available in 120" roll widths.

Seaming information above is based on 120" roll goods.

SW5000 (openness varies, railroading not recommended)

CLOTH WIDTH	36"	42"	48"	54"	60"	72"	84"	96"
HEIGHT 36"	\$1,032	\$1,075	\$1,098	\$1,165	\$1,187	\$1,233	\$1,319	\$1,366
42"	1,043	1,089	1,112	1,184	1,207	1,252	1,344	1,391
48"	1,053	1,103	1,125	1,204	1,226	1,272	1,369	1,416
54"	1,065	1,117	1,139	1,224	1,246	1,292	1,394	1,441
60"	1,075	1,130	1,153	1,243	1,266	1,311	1,419	1,467
66"	1,086	1,144	1,167	1,263	1,285	1,331	1,445	1,492
72"	1,097	1,157	1,180	1,282	1,305	1,350	1,470	1,517
78"	1,110	1,173	1,196	1,304	1,326	1,372	1,497	1,544
84"	1,121	1,187	1,209	1,323	1,346	1,391	1,522	1,569
90"	1,132	1,200	1,223	1,343	1,365	1,411	1,547	1,594
96"	1,143	1,214	1,237	1,363	1,385	1,431	1,573	1,620
108"	1,164	1,242	1,264	1,401	1,424	1,470	1,623	1,670
120"	1,189	1,272	1,295	1,444	1,466	1,512	1,676	1,724
132"	1,211	1,299	1,322	1,483	1,505	1,551	1,727	1,774

Soltis 92: Fabric Multipliers

Fabric	Openness Factor	Multiply Above Prices by...
Soltis 86	14%	0.92
Soltis 88	8%	0.92
Soltis B92N*	Opaque	1.11

*Available in 66" roll widths only.

Soltis 92—3-4% openness. For Soltis 86 (14% open.) or Soltis 88 (8% open.), multiply price below by .92.

CLOTH WIDTH	31"	42"	48"	54"	63"	69"	84"	98"	105"	120"	132"
HEIGHT 36"	\$1,060	\$1,083	\$1,105	\$1,163	\$1,186	\$1,231	\$1,343	\$1,390	\$1,447	\$1,687	\$1,773
42"	1,076	1,099	1,121	1,184	1,206	1,252	1,373	1,420	1,477	1,689	1,776
48"	1,092	1,115	1,137	1,204	1,227	1,272	1,403	1,450	1,506	1,691	1,778
54"	1,108	1,131	1,154	1,225	1,248	1,293	1,433	1,480	1,536	1,790	1,886
60"	1,124	1,147	1,170	1,246	1,268	1,314	1,463	1,510	1,566	1,792	1,888
66"	1,140	1,163	1,186	1,266	1,289	1,334	1,493	1,540	1,692	1,794	1,890
72"	1,156	1,179	1,202	1,287	1,310	1,355	1,523	1,570	1,721	1,988	2,103
78"	1,174	1,197	1,220	1,310	1,332	1,378	1,555	1,602	1,754	1,993	2,107
84"	1,190	1,213	1,236	1,330	1,353	1,398	1,584	1,632	1,783	1,995	2,109
90"	1,206	1,229	1,252	1,351	1,373	1,419	1,614	1,661	1,813	1,997	2,111
96"	1,223	1,245	1,268	1,372	1,394	1,440	1,644	1,692	1,843	1,999	2,114
108"	1,254	1,277	1,300	1,413	1,435	1,481	1,704	1,751	1,977	2,364	2,508
120"	1,290	1,312	1,335	1,457	1,480	1,525	1,767	1,814	2,040	2,371	2,516
132"	1,322	1,344	1,367	1,498	1,521	1,566	1,826	1,874	2,099	2,375	2,520

CHOOSE FINISH Option for MOTORIZED Exterior FlexShades®

Side Channel Prices for Motorized Exterior FlexShades®—

CHANNEL LENGTH	36"	42"	48"	54"	60"	66"	72"	78"	84"	90"	96"	108"	120"	132"
Add to Fabric Grid	\$72	\$79	\$85	\$92	\$96	\$104	\$111	\$117	\$124	\$130	\$137	\$149	\$162	\$175

OR

Cable Guide for Motorized Exterior FlexShades®— Add \$150 to Fabric Grid

Includes cable (cut to size during installation), and wall and deck mount brackets in 5 standard Draper colors.

Motors and Controls for Exterior FlexShades®

Radio Motor Control Options—Radio frequency range will vary from install to install. There is no way to predict radio frequency range factors, and factors can change throughout the day. All Radio Motors (high voltage, low voltage, and battery) work with the same transmitters. They do have different instructions which can be found online at www.draperinc.com

Part No.	Item	Price
C072.011	Telis 1 RTS Single Channel Remote (white)	\$104
C156.119	Telis 1 RTS Single Channel Remote (black)	126
C072.012	Telis 4 RTS Five Channel Remote (white)	135
C156.118	Telis 4 RTS Five Channel Remote (black)	152
C112.119	DecoFlex™ 1 Channel RTS Wireless Wall Switch (ivory)	250
C112.074	DecoFlex™ 1 Channel RTS Wireless Wall Switch (white)	250
C112.077	DecoFlex™ 5 Channel RTS Wireless Wall Switch (ivory)	270
C112.076	DecoFlex™ 5 Channel RTS Wireless Wall Switch (white)	270

Exterior Control Options

Part No.	Item	Price
C072.045	Telis 1 RTS Patio Single Channel Remote	\$130
C072.046	Telis 4 RTS Patio Five Channel Remote	180
C072.051	Telis 1 Soliris RTS Patio	95
C072.052	Telis 4 Soliris RTS Patio	105
Automation Devices		
C156.177	Eolis RTS Wind Sensor (24V)	284
C156.178	Soliris RTS Sun and Wind Sensor (24V)	362

Complete motor and control options begin on page 22.

FlexShade® Sales Aids

Product Literature is available at no charge in reasonable quantities

FlexShade® Systems brochure
 FlexShade® Systems Retail Price List
 Fabric Swatch Binder—with sample cards of all Draper colors/fabrics
 Order Forms—printable forms also available at www.draperinc.com/ShadeOrder
 Architectural Detail Sheets

Working Display Samples

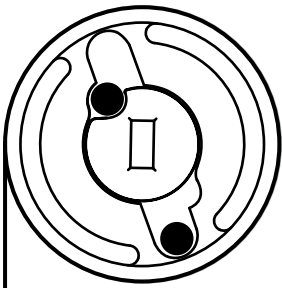
Item	Retail Price
Clutch Operated Roller Shade, 12" w x 22" h with mounting brackets	\$40
Clutch Operated Roller Shade, 12" w x 22" h with end caps and fascia	50
Clutch Operated Exterior FlexShade®, 12" w x 22" h with cable guides or side channels	100
LightBloc System, Clutch Operated, 18" w x 22" h	100
LightBloc System, Motorized, 29" w x 27" h	350
Motorized Roller Shade, 29" w x 27" h with mounting brackets, switch and cover plate	200
Motorized Roller Shade, 38 ⁹ / ₁₆ " w x 31 ¹ / ₁₆ " h with RTS or RS485	200
Clutch Bottom-Up FlexShade® XD, 18" w x 22" h	100
Motorized Bottom-Up FlexShade®, 29" w x 27" h	350
Clutch Exterior FlexShade®, 16" w x 21" h with cable guides	100

FlexShade® XD samples are available for the same price as Clutch FlexShades®.

Display samples are available in the configurations described above. All fascias, headboxes and channels on the units above are finished in clear anodized aluminum unless you request otherwise. Clutch Operated and Motorized Roller Shades are mounted on a board, and sample LightBloc Systems are pre-mounted on wood frames.

All samples are available in any fabric listed in price list for the product.

All sample prices shown above include freight. Prices subject to change without notice.



Husky Spring Rollers/Brackets/Slats

Factory Pack quantities only.

If "Broken Pack" (less than full carton of each size) required – add 20%

Husky Rollers Width is Tip-to-Tip

Diam.	Factory Pack	4'	5'	6'	7'	8'	9'	10'	11'	12'	13'	14'	15'	Replacement Springs
1¼"	15	\$24	\$25	\$33	\$34	—	—	—	—	—	—	—	—	\$10
1½"	10	28	31	34	36	\$41	\$45	—	—	—	—	—	—	13
1¾"	10	36	39	42	45	50	54	\$56	—	—	—	—	—	20
2¼"	6	—	—	115	123	126	139	146	154	\$162	—	—	—	—
3"	3	—	—	158	166	176	180	195	204	214	\$216	\$219	\$222	—
Pre-tape	—	1.20	1.40	1.60	1.80	2.00	2.20	2.40	2.60	2.80	3.00	3.20	3.40	—
1" Elliptical slats¹	25	3.20	4.00	4.80	5.60	6.40	7.20	8.00	8.80	9.60	10.40	11.20	12.00	—

¹Slats kiln-dried hard rock maple, one piece. Prices for standard sizes only. Draper recommends that fabricators drill holes for cord attachment with screweyes or eyelets.

- Wires (.073 diameter) for 1¼", 1½", and 1¾" rollers only, by request at no charge.
- Wires (.120 diameter) for 2¼", and 3" rollers are available by request **at an additional cost**. Call Draper for details.
- Standard 1-piece metal rollers.
- Standard 2-notch construction. 1-notch available at no extra charge.
- Prices above do not include mounting brackets or slats.

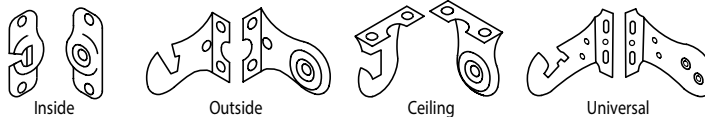
Replacement Idler Pin Ends

Part No.	Diameter	Price
C052.056	1¼"	\$1.50
C052.045	1½"	\$2.50
C052.046	1¾"	\$3.00

Replacement Springs

Part No.	Price
C221.036SA	\$10.00
C221.043SA	\$13.00
C221.047SA	\$20.00

Brackets



Roller O.D.	Part No.	Inside	Outside	Ceiling	Universal
1¼" ¹	Part No.	—	—	—	C002.146
	Price	—	—	—	\$1.50/pair
1½"/1¾" ¹	Part No.	—	—	—	C002.499
	Price	—	—	—	\$3.60/pair
2¼"/3" ²	Part No.	C002.199	C002.200	C002.207	—
	Price	\$15.00/pair	\$21.00/pair	\$21.00/pair	—

¹Brackets for 1¼", 1½" and 1¾" rollers are bright finished, stamped steel.

²Brackets for 2¼" and 3" rollers are cast aluminum.

Special Locking Pulley



N-10 Pulley

Part No.	C193.017SA
Price	\$6.00

FOB Factory, Spiceland, IN.
HUSKY Metal Rollers ship freight class 85.
Prices and specifications subject to change without notice.

Shade Fabrics Roll Goods and Cut Goods Pricing*

*Prices shown are MSRP, dealer discount 50% FOB factory

	Fabric Name	Average Openness Factor	Width (inches)	Cut Pieces Price Per Lineal Yard	Full Rolls Price Per Lineal Yard	Approx. Roll Length Yards		Fabric Name	Average Openness Factor	Width (inches)	Cut Pieces Price Per Lineal Yard	Full Rolls Price Per Lineal Yard	Approx. Roll Length Yards		
Draper	SB9000	Opaque	36	\$13.88	\$8.88	30-40	SB9100	Opaque	36	\$14.72	\$9.72	30-40			
			45	18.20	13.20				45	18.98	13.98				
			54	19.16	14.16				54	20.30	15.30				
			63	20.96	15.96				72	23.57	18.57				
			72	22.64	17.64										
			98	40.67	35.67										
			120	49.85	44.85										
Ferrari	Soltis 86	14%	69	41.32	38.79	54	Soltis 92	3%	70	55.71	52.23	54			
			105	62.15	58.76	43			106	83.55	78.33				
	Soltis 88	8%	105	62.15	58.76	43	Soltis 99		69	43.55	38.55	54			
	Soltis B92N	Opaque	66	67.23	63.03	43			105	62.84	57.84	54			
Mermet	Natte	12%	98	75.68	70.68	55	E Screen	3%	78	46.40	41.40	29			
	Vienne	10%	98	49.13	44.13	30		3%	98	56.60	51.60				
						3%		122	69.08	64.08					
	E Screen	10%	78	41.66	36.66	29	M Screen 8503	3%	78	50.45	45.45	29			
				50.69	45.69					98	61.97	56.97			
				61.76	56.76					122	76.01	71.01			
	E Screen	5%	78	43.43	38.43	29	T Screen	3%	98	61.97	56.97	29			
				52.91	47.91					E Screen	1%	78	51.11	46.11	29
				64.49	59.49								98	62.48	57.48
				122	76.40	71.40									
	M Screen 8505	5%	78	47.72	42.72	30	Vizela	1%	94.5	93.29	88.29	30			
				58.55	53.55		Flocké	Opaque	94.5	148.28	143.28	30			
				71.75	66.75		Edessa Twilight FR	Opaque	110	71.18	66.18	30			
Satine	5%	98	83.57	78.57	55	Avila Twilight	Opaque	110	95.54	90.54	30				
			Silverscreen	4%	94.5	123.20	118.20	33							
Phifer	SW1000	23%	36	17.33	12.33	30	SW Basic	5%	98	47.87	42.87	30			
			48	21.44	16.44		SW2400 (2410)	3%	63	41.18	36.18	30			
			72	29.66	24.66			3%	98	61.25	56.25				
			84	33.77	28.77			3%	126	77.36	72.36				
	SW3000	14%	72	37.34	32.34	30	PP2410	3%	63	83.87	78.87	30			
				96	48.14	43.14		Performance Plus®	3%	96	113.15	108.15			
	SW2100	10%	63	36.02	31.02	30	SW2703	3%	63	38.60	33.60	30			
				98	53.27	48.27			3%	98	57.26	52.26			
	SW2600 (2360)	10%	63	36.02	31.02	30		3%	126	72.20	67.20				
				98	53.27	48.27		PW4400	3%	63	40.34	35.34	30		
	SW2710	10%	63	33.89	28.89	30	3%				84	52.10	47.10		
				98	49.91	44.91					3%	98	59.96	54.96	
	Suntex	10%	72	31.17	29.22	30	3%				126	75.68	70.68		
				96	41.54	38.94		PW4600	3%	63	42.17	37.17	30		
				120	51.94	48.69	98				62.81	57.81			
	Suntex Design	10%	72	34.18	32.04	30	3%	126	79.34	74.34					
				96	45.57	42.77		PW4650	3%	63	42.17	37.17	30		
	PW4100	10%	63	34.25	29.25	30	3%				98	62.81	57.81		
				84	43.97	38.97		SW4903	3%	63	40.34	35.34	30		
	98	50.48	45.48		3%	98	59.96				54.96				
	SW5000	3-10%	74	54.11	49.11	30	SW Infinity 2	3%	63	56.87	51.87	30			
				98	70.01	65.01		3%	98	85.70	80.70				
	SW2000	5%	63	39.08	34.08	30	SW Basic	3%	98	53.18	48.18	30			
				98	58.01	53.01		SW2500	1%	63	44.60	39.60	30		
				126	71.15	66.15		1%	98	66.56	61.56				
	SW2705	5%	63	36.65	31.65	30	1%	126	84.17	79.17					
				98	54.23	49.23		PP2500	1%	63	87.45	81.95	30		
				126	68.33	63.33	Performance Plus®				1%	96	133.20	124.85	
	SW2900 (2390)	5%	63	39.08	34.08	30	SW2701	1%	63	41.81	36.81	30			
				98	58.01	53.01		1%	98	62.24	57.24				
				126	73.16	68.16		1%	126	78.62	73.62				
	PP2390	5%	63	71.90	66.90	30	PW4800	1%	63	43.79	38.79	30			
	Performance Plus®	5%	96	106.91	101.91	1%		96	64.13	59.13					
PW3500 (4000)	5%	63	36.77	31.77	30	1%		126	82.61	77.61					
			84	47.33	42.33		SW4901	1%	63	43.79	38.79	30			
			98	54.41	49.41					1%	98	65.36	60.36		
			126	68.54	63.54					1%	63	63.08	58.08	30	
PW4500	5%	63	38.45	33.45	30	SW Infinity 2	1%	98	95.36	90.36					
			98	57.02	52.02		SW7000	Opaque	94	94.46	89.46	30			
			126	71.90	66.90	Opaque				118	117.29	112.29			
PW4550	5%	63	38.45	33.45	30	SW7100	Opaque	63	48.59	43.59	30				
			98	57.02	52.02		Opaque	96	73.01	68.01					
SW Infinity 2	5%	63	52.67	47.67	30	SW7500	Opaque	78	41.72	36.72	30				
			98	79.16	74.16		Opaque	98	51.14	46.14					
						Opaque	118	60.56	55.56						

Minimum order of any fabric is 15 lineal yards. Call for quotation if your requirement exceeds 50 rolls.

Contacting Draper

Region	Regional Manager
Canada	Eric Guffey, LEED® AP, CTS Ext. 1300, Direct: 765-856-1300 eguffey@draperinc.com
CT, MA, ME, NH, NJ, NY, RI, VT	TBD
DC, DE, MD, PA (East), VA, WV	Jody Zarbano Mobile: 703.268.1006 jzarbano@draperinc.com
FL, GA, NC, SC	Matt Schultz CSI, CDT, LEED® AP Ext. 3102, Direct: 770-562-4757 mschultz@draperinc.com
IL, IN, MI, OH, PA (West)	Art Tober, CSI, CDT Ext. 3103, Direct: 586-416-0829 atober@draperinc.com
OK, TX	Patrick Herron Ext. 3117, Direct: 800-238-7999, Mobile: 972.632.8159 pat.herron@draperinc.com
CO, IA, KS, MN, MO (Kansas City only), MT, ND, NE, SD, UT, WI, WY	Todd Garner, CSI Ext. 1249, Direct: 765-856-1249 tgarner@draperinc.com
AZ, CA (Southern), NV (Southern), HI, NM	Kathy Greenway, CSI Ext. 3101, 866-987-7999 (office), 951-600-9056 (office 2), 714-396-9732 (mobile) email: kgreenway@draperinc.com
AL, AR, KY, LA, MO, MS, TN	Ross Rhoades, CSI, CDT Ext. 3108, 800-238-7999 (office), 615-427-8227 (mobile) rrhoades@draperinc.com
AK, CA (Northern), ID, MT, NV (Northern), OR, WA	Ron Wathen Ext. 3114, 866-987-7999 (office), 415-744-4952(mobile) rwathen@draperinc.com

Shade Sales in alphabetical order
Brad Barker Ext. 3104, Direct: 866-987-7999 bbarker@draperinc.com
Bradyn Bennett Ext. 1233, Direct: 765-856-1233 bbennett@draperinc.com
Kylee Bowling, LEED® AP, Ext. 1251, Direct: 765-856-1251 kbowling@draperinc.com
Eric Dobbs Ext. 1241, Direct: 765-856-1241 edobbs@draperinc.com
Jeremy Hines Ext. 1237, Direct: 765-856-1237 jhines@draperinc.com
John Hutson Ext. 1277, Direct: 765-856-1277 jhutson@draperinc.com
Tracy Linville Ext. 1236, Direct: 765-856-1236 tlinville@draperinc.com
Lana Mathews Ext. 1239, Direct: 765-856-1239 lmathews@draperinc.com
Jordan McPherson Ext. 1244, Direct: 765-856-1244 jordan.mcpherson@draperinc.com
Melissa Mondrush Ext. 1210, Direct: 765-856-1210 mmondrush@draperinc.com
Doug Ross Ext. 1281, Direct: 765-856-1281 dross@draperinc.com

Customer Service

Manager
Beverly Ferguson ext. 1206 bferguson@draperinc.com
Returns
Jodi Reece ext. 1293 jreece@draperinc.com
Traffic Support
Tina Loveless ext. 1213 tloveless@draperinc.com
Order Status
Debbie Spera ext. 1217 dspera@draperinc.com
Customer Service Support
Carol McLemore ext. 1253 cmclmore@draperinc.com

Special Assistance

Technical Support
Mike Gerth ext. 1258 mgerth@draperinc.com
Ryan Carmony ext. 1242 rcarmony@draperinc.com
Zac Farber ext. 3112 zfarber@draperinc.com

Sales Support

Teri Boxell ext.1238 teriboxell@draperinc.com
Karen Reno ext.1250 kreno@draperinc.com
Stacie Cheshier ext. 1283 scheshier@draperinc.com
Tracy Linville ext. 1236 tlinville@draperinc.com

Credit

Debbie Searcy ext. 1224 dsearcy@draperinc.com
Amy Magee ext. 1256 amagee@draperinc.com
Robert Prince ext. 1214 rprince@draperinc.com
Leonor New ext. 1209 lnew@draperinc.com

Solar Control Solutions

Solar Control Solutions Manager
Clint Childress, LEED® AP, IIDA ext. 1240 cchildress@draperinc.com
Solar Control Solutions Sales Coordinator
Scott Cash ext. 1246 scash@draperinc.com
Solar Control Solutions Project Coordinator
Luke Geers ext. 1286 lgeers@draperinc.com

Management

Sales/Marketing Management
Chris Broome, CSI, LEED® AP ext. 1205 cbroome@draperinc.com
Solar Control Products Manager
Jeff Miller, LEED® AP, IIDA ext. 1235 jmiller@draperinc.com
Assistant Window Shade Sales Manager
Chad Tabor, CTS ext. 1255 ctabor@draperinc.com

Telephone (U.S. and Canada)—800-989-0126

Faxed/e-mailed purchase orders are processed directly. However, incomplete orders will be placed on hold until questions are answered. Draper will default to standards when applicable. To ensure complete and accurate orders are received, please use Draper order forms. Order forms are available online at www.draperinc.com/ShadeOrder

Internet

Our website, www.draperinc.com, is a convenient, 24-hour source for product information. Email addresses are available on this page and in the Contact Us section of our website.

**After hours? Call our West Coast office at:
714-447-4383.**



Place orders online! Visit Draperonline.com Then become a Draper PRO to download price lists, track orders, and more: Draperinc.com/DraperPRO



Draper, Inc. © 2017 All Rights Reserved
Form FS217 Effective February 13, 2017

DRAPER
DraperInc.com