

EXTERIOR SOLAR SHADES

Table of Contents

Features and Size Considerations

Summary	2
Fabric Styles and Information: Exterior Solar Shades	2
Light Gaps	3
Fabric Recommendations and Disclaimers	3
Large Window Sizing	3
Light Control and Privacy	3
Fabric Certifications	3
Size Considerations: Continuous loop	4
Size Considerations: Motorized	4
How to Determine Maximum Shade Size	5
Planning for Installation of Exterior Shades	5
Mounting Depth Size and Cable Measurement Considerations	6
Guide Cables (Motorized Shades Only)	6

Options

Summary	7
Reverse Roll	7
Continuous-loop Lift	7
Curved Cassette Valance	7
Motorized Lift	8

General Information

Exterior Solar Continuous-loop Lift Shade Product Detail	9
Exterior Solar Motorized Shade Product Detail	10

Price Charts and Option Pricing

Continuous-loop Exterior Solar Shades: A100, B500, B1000, S100 S1, S300 S1, S500 S1, S500 S2, SheerWeave 2390®, SheerWeave 2410, SheerWeave 2500, SheerWeave 4000, SheerWeave 4100	11
Continuous-loop Exterior Solar Shades: Bamboo, Fern, Twine	12
Motorized Exterior Solar Shades: A100, B500, B1000, S100 S1, S300 S1, S500 S1, S500 S2, SheerWeave 2390, SheerWeave 2410, SheerWeave 2500, SheerWeave 4000, SheerWeave 4100	13
Motorized Exterior Solar Shade: Bamboo, Fern, Twine	14
Options Pricing	15



Features

Exterior Solar Shades Expand Your Outdoor Living Space

- Maintain an outdoor view
 - Filter and diffuse light while maintaining an outward view
 - The higher the openness factor and the darker the fabric, the clearer the view
- Manage glare
 - Minimize glare on televisions and home office computers
 - The darker the fabric color, the better the glare control and visibility
- Block damaging UV rays
 - The amount of UV ray blockage is the inverse of a fabric's openness factor (i.e., a fabric with 10% openness blocks 90% of UV rays)
 - Protect furniture, carpets, artwork, etc. from fading due to harmful UV rays

- Temperature Control
 - Exterior shades reduce solar heat gain before it enters the house, reducing air conditioning costs
 - Solar fabrics reduce heat transmittance, keeping rooms cooler and increasing the comfort level in your home
 - The lighter the fabric color, the better the temperature control

IMPORTANT: Shades must be raised fully during inclement weather and windy conditions.

Fabric Styles and Information: Exterior Solar Shades

Style Name	Openness	UV Blockage	Fabric Composition	Useable fabric width inches (cm)	GREENGUARD Certified	Anti-microbial	FR Rated	Can be Railroaded turned 90° (width for height)	Can be Seamed	Color Number
A100	1%	99%	37% Fiberglass/ 63% Vinyl on Fiberglass	96 (243.9)	✓	✓	NFPA 701, NFPA 101 Class A	✓	✓	All
B500	5%	95%	25% Polyester/ 75% Vinyl on Polyester	96 (243.9)	✓	✓	NFPA 701, NFPA 101 Class A	✓	✓	All
B1000	10%	90%	25% Polyester/ 75% Vinyl on Polyester	96 (243.9)	✓	✓	NFPA 701, NFPA 101 Class A	✓	✓	All
Bamboo	7%	93%	25% Polyester/ 75% Vinyl on Polyester	96 (243.9)	✓	✓	NFPA 101 Class A	✓		All
Fern	7%	93%	25% Polyester/ 75% Vinyl on Polyester	96 (243.9)	✓	✓	NFPA 101 Class A	✓		40201
	7%	93%	25% Polyester/ 68% PVC/7% Olefin	96 (243.9)	✓	✓	NFPA 101 Class A	✓		40204
	7%	93%	28% Polyester/72% PVC	96 (243.9)	✓	✓	NFPA 101 Class A	✓		40205 40206
S100 S1	1%	99%	25% Polyester/ 75% PVC Vinyl on Polyester	96 (243.9)	✓	✓	NFPA 701, NFPA 101 Class A	✓	✓	All
S300 S1	3%	97%	18% Polyester/ 82% PVC on Polyester	96 (243.9)	✓	✓	NFPA 701, NFPA 101 Class A	✓	✓	All
S500 S1	5%	95%	16% Polyester/ 84% PVC on Polyester	96 (243.9)	✓	✓	NFPA 701, NFPA 101 Class A	✓	✓	All
S500 S2	5%	95%	13% Polyester/ 87% PVC on Polyester	96 (243.9)	✓	✓	NFPA 701, NFPA 101 Class A	✓	✓	All
SheerWeave® 2390	5%	95%	35% Fiberglass/ 65% Vinyl on Fiberglass	124 (315.0)	✓	✓	NFPA 701, NFPA 101 Class A	✓	✓	All
SheerWeave 2410	3%	97%	35% Fiberglass/ 65% Vinyl on Fiberglass	124 (315.0)	✓	✓	NFPA 701, NFPA 101 Class A	✓	✓	All
SheerWeave 2500	1%	99%	37% Fiberglass/ 63% Vinyl on Fiberglass	124 (315.0)	✓	✓	NFPA 701, NFPA 101 Class A	✓	✓	All
SheerWeave 4000	5%	95%	25% Polyester/ 75% Vinyl on Polyester	124 (315.0)	✓	✓	NFPA 701, NFPA 101 Class A	✓	✓	All
SheerWeave 4100	10%	90%	25% Polyester/ 75% Vinyl on Polyester	96 (243.9)	✓	✓	NFPA 701, NFPA 101 Class A	✓	✓	All
Twine	5%	95%	26% Polyester/ 67% Vinyl on Polyester/ 7% Olefin	96 (243.9)	✓	✓	NFPA 101 Class B			40246 40247 40249
	5%	95%	27.5% Polyester/ 67% Vinyl on Polyester/ 5.5% Acrylic	96 (243.9)	✓	✓	NFPA 101 Class A			40241
	7%	93%	26.3% Polyester/ 67.7% Vinyl on Polyester/ 6% Acrylic	96 (243.9)	✓	✓	NFPA 101 Class A			40210
	7%	93%	28% Polyester/ 72% Vinyl on Polyester	96 (243.9)	✓	✓	NFPA 101 Class A			40248

Features

Light Gaps

A light gap will be present on inside mounted shades. An outside mount with overlap is recommended to eliminate light gap.

Control Type	Light Gap Per Side inches (cm)
Continuous-loop Lift no Cassette	$\frac{9}{16}$ (1.5) – $1\frac{1}{16}$ (2.1)
Continuous-loop Lift with Cassette	$\frac{1}{2}$ (1.3) – 1 (2.6)
Motorized Lift with Cassette	$1\frac{5}{16}$ (2.4) – $1\frac{3}{16}$ (3.1)

Fabric Recommendations

Please order all shades at the same time to ensure color consistency and minimize dye lot variation.

Fabric Disclaimers

Due to the nature of the weaving process, some imperfection in the weave is normal.

Roll direction cannot be reversed after a shade is ordered.

Fabric appearance can vary based on changing lighting conditions.

Large Window Sizing

Fabrics can be turned 90° clockwise (width for height) to accommodate wider windows. In these cases some solar fabrics can be seamed for longer lengths. Fabrics turned width for height (referred to as railroaded) may curl along its edge. This is not a defect in the product.

Light Control and Privacy

Privacy: Solar shades do not offer nighttime privacy – lighted interiors allow inward visibility. If complete privacy is desired, consider adding an inside window treatment.

Fabric Certifications

GREENGUARD Indoor Air Quality Certified®

Fabrics: Many Graber® fabrics have been certified by GREENGUARD Environmental Institute (GEI) to be low chemical and particle emitting fabrics, providing a healthier indoor air quality. The process used for certification complies with established indoor air quality standards and is performed by a third party lab. Please see www.graberblinds.com for more information.



www.greenguard.org

GREENGUARD Indoor Air Quality Certified is a registered trademark of the GREENGUARD Environmental Institute.

Size Considerations

Continuous Loop: Maximum Shade Size

Fabric	Normal Fabric Orientation					
	Continuous-loop Medium Cassette		Continuous-loop Large Cassette/ No Cassette/ No Valance		120V Motor Large Cassette	
	Width inches (cm)	Height inches (cm)	Width inches (cm)	Height inches (cm)	Width inches (cm)	Height inches (cm)
A100	96 (243.9)	130 (330.2)	97 (246.4)	144 (365.8)	97 (246.4)	144 (365.8)
B500	97 (246.4)	90 (228.6)	97 (246.4)	144 (365.8)	97 (246.4)	144 (365.8)
B1000	76 (193.1)	123 (312.5)	97 (246.4)	144 (365.8)	97 (246.4)	144 (365.8)
Bamboo	79 (200.7)	123 (312.5)	97 (246.4)	144 (365.8)	97 (246.4)	144 (365.8)
Fern	80 (203.2)	114 (289.6)	97 (246.4)	144 (365.8)	97 (246.4)	144 (365.8)
S100 S1	96 (243.9)	130 (330.2)	97 (246.4)	144 (365.8)	97 (246.4)	144 (365.8)
S300 S1	96 (243.9)	123 (312.5)	97 (246.4)	144 (365.8)	97 (246.4)	144 (365.8)
S500 S1	97 (246.4)	128 (325.2)	97 (246.4)	144 (365.8)	97 (246.4)	144 (365.8)
S500 S2	97 (246.4)	90 (228.6)	97 (246.4)	144 (365.8)	97 (246.4)	144 (365.8)
SheerWeave® 2390	109 (276.9)	144 (365.8)	125 (317.5)	144 (365.8)	125 (317.5)	144 (365.8)
SheerWeave 2410	107 (271.8)	134 (340.4)	125 (317.5)	144 (365.8)	125 (317.5)	144 (365.8)
SheerWeave 2500	105 (266.7)	127 (322.6)	125 (317.5)	144 (365.8)	125 (317.5)	144 (365.8)
SheerWeave 4000	75 (190.5)	118 (299.8)	123 (312.5)	133 (337.9)	125 (317.5)	144 (365.8)
SheerWeave 4100	76 (193.1)	123 (312.5)	97 (246.4)	144 (365.8)	97 (246.4)	144 (365.8)
Twine (Driftwood, Flagstone, Jewel, Metal, Oatmeal)	83 (210.9)	97 (246.4)	97 (246.4)	144 (365.8)	97 (246.4)	144 (365.8)
Twine (Heritage)	82 (208.3)	124 (315.0)	97 (246.4)	144 (365.8)	97 (246.4)	144 (365.8)

Fabric	Fabric Turned Width for Height (Railroaded)					
	Continuous-loop Medium Cassette		Continuous-loop Large Cassette/ No Cassette/ No Valance		120V Motor Large Cassette	
	Width inches (cm)	Height inches (cm)	Width inches (cm)	Height inches (cm)	Width inches (cm)	Height inches (cm)
A100	96 (243.9)	130 (330.2)	126 (320.1)	144 (365.8)	144 (365.8)	144 (365.8)
B500	97 (246.4)	90 (228.6)	120 (304.8)	144 (365.8)	113 (287.1)	144 (365.8)
B1000	76 (193.1)	123 (312.5)	125 (317.5)	144 (365.8)	128 (325.2)	144 (365.8)
Bamboo	116 (294.7)	83 (210.9)	116 (294.7)	83 (210.9)	144 (365.8)	81 (205.8)
Fern	85 (215.9)	86 (218.5)	116 (294.7)	83 (210.9)	144 (365.8)	81 (205.8)
S100 S1	96 (243.9)	130 (330.2)	126 (320.1)	144 (365.8)	144 (365.8)	144 (365.8)
S300 S1	96 (243.9)	123 (312.5)	125 (317.5)	144 (365.8)	144 (365.8)	128 (325.2)
S500 S1	97 (246.4)	128 (325.2)	127 (322.6)	144 (365.8)	144 (365.8)	141 (358.2)
S500 S2	97 (246.4)	90 (228.6)	120 (304.8)	144 (365.8)	113 (287.1)	144 (365.8)
SheerWeave 2390	109 (276.9)	144 (365.8)	144 (365.8)	144 (365.8)	144 (365.8)	144 (365.8)
SheerWeave 2410	107 (271.8)	134 (340.4)	141 (358.2)	144 (365.8)	144 (365.8)	144 (365.8)
SheerWeave 2500	105 (266.7)	127 (322.6)	135 (342.9)	144 (365.8)	130 (330.2)	144 (365.8)
SheerWeave 4000	75 (190.5)	118 (299.8)	123 (312.5)	133 (337.9)	126 (320.1)	144 (365.8)
SheerWeave 4100	76 (193.1)	123 (312.5)	125 (317.5)	144 (365.8)	128 (325.2)	144 (365.8)
Twine (Driftwood, Flagstone, Jewel, Metal, Oatmeal)	NO RR	NO RR	NO RR	NO RR	NO RR	NO RR
Twine (Heritage)	NO RR	NO RR	NO RR	NO RR	NO RR	NO RR

Due to continuous manufacturing improvements, minimums and maximums are subject to change. Please call customer service for up to date size considerations. These tables provide the maximum shade size available by fabric and cassette. Seams may be added to fabrics to accommodate long shade requirements. For shades longer than material width, seams will be visible when the shade is fully extended.

Size Considerations

How to Determine Maximum Shade Size

Follow these easy steps to determine maximum shade size and valance size from the Maximum Shade Size Tables.

1. Determine your fabric style, shade size and cassette (or no cassette for Continuous-loop) requirement.
2. Find the fabric in the first column.
3. Determine if your shade size is within the Normal Fabric Orientation size range.
4. Identify the appropriate size cassette (or no cassette for Continuous-loop) for your shade size.
5. If your shade size is larger than either the maximum width or height range, your fabric may be able to be turned width for height for larger shades. Use the Fabric Turned Width for Height (Railroaded) Table.

Example: Determine the maximum allowable shade size and cassette for normal orientation shades. The example Continuous Loop shade is 80" (203.2 cm) x 100" (254.0 cm) B1000 with Cassette.

1. Find B1000 in the first column.
2. Follow the B1000 fabric row to the width and height sizes.
3. The maximum width and maximum height in normal fabric orientation available for this configuration is 7" (17.8 cm) x 144" (365.8 cm).

Note both width and height must be less than the maximum width and height segment to fit the normal shade orientation.

4. Follow this segment to the top of the table. This segment is within the Large Cassette size indicating this shade's smallest segment cassette size available is a large size cassette.

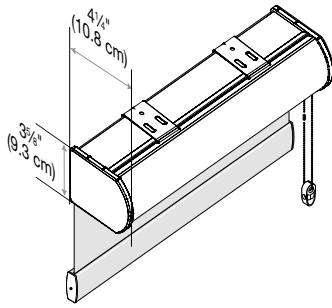
Planning for Installation of Exterior Shades

Use the following planning guidelines for your exterior shade:

1. Determine the location of the shade.
2. Motorized Shade: Determine the exterior power location. Measure the distance from the planned shade location to the electrical outlet or jbox to order the motor power cable lead length (6' (182.9 cm) or 24' (731.6 cm)).
3. Determine the side of the shade (left or right) the bead chain for Continuous-loop or the motor power cable for motorized should exit.
4. For Top Mounts, Large Cassette Installation: ½" (1.3 cm) spacing is required between the window and the back of the bracket.
5. For Wall Mounts, Large Cassette Installation: ¾" (1 cm) clearance is required above bracket.
6. Use a stud finder to locate solid area to mount installation brackets.
7. Installation of motorized shades may require 2 people.
8. Never install exterior shades in windy conditions.
9. A licensed electrician is required for all electrical connections. All local and NEC codes must be followed.
10. The installation screws provided are for mounting on wood. For mounting on materials other than wood, please consult a qualified professional.

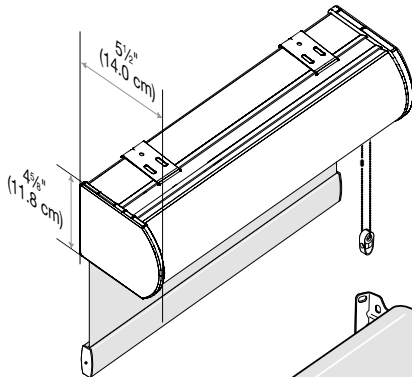
Size Considerations

Depth Requirements for Inside Mount

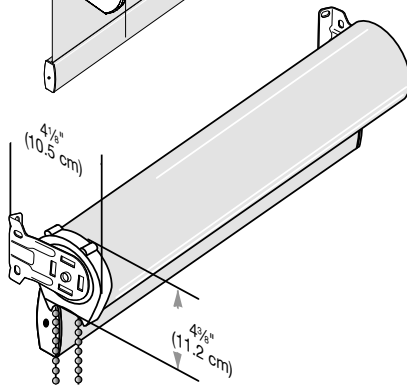


- The following diagrams illustrate the mounting depth requirements for shades mounted inside window casements or deck/porch frames.
- Motorized shades come standard with the large cassette valance.
- Continuous-loop Lift shades shown.

Medium Cassette Valance
1 3/4" (4.5 cm) Minimum Inside Mount
(Continuous-loop Lift only)



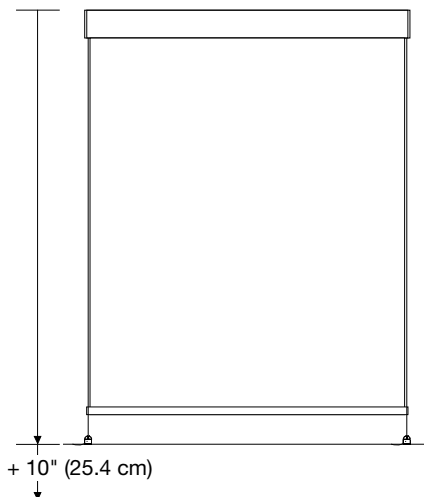
Large Cassette Valance
1 3/4" (4.5 cm) Minimum Inside Mount



No Valance*
3/4" (2.0 cm) minimum needed to attach
bracket for an inside mount

* Largest possible measurement given will vary with fabric and window dimensions.

Guide Cables (Motorized Shades Only)



Use the following to determine the guide cable length that will be provided with your shade:

1. Add 10" (25.4 cm) to the shade height.
2. The next longest cable length will be supplied.
 - Included in motorized pricing
 - Stainless Steel Guide Cable
 - Four lengths available: 54" (137.2 cm), 80" (203.2 cm), 144" (365.8 cm) and 186" (472.5 cm)
 - Stainless Steel Cable locks included
 - Cables will be at least 10" (25.4 cm) longer than ordered height; longer cable can be cut to length needed

Example: Shade height is 95" (241.3 cm). Add 10" (25.4 cm) = 105" (266.7 cm). Shade will come with a Guide Cable at 144" (365.8 cm). Cable can be cut to required length at time of installation.

Motor Power Cable

1. Estimate the number of feet from the cassette valance motor power cable exit to the electrical junction box or GFCI (Ground Fault Circuit Interrupter) outlet.
2. Select either 6' (182.9 cm) or 24' (731.6 cm).

Options

Shade Options: for surcharges and pricing refer to pricing section

Control Type Options:

- Continuous-loop Lift
- Motorized with Guide Cables

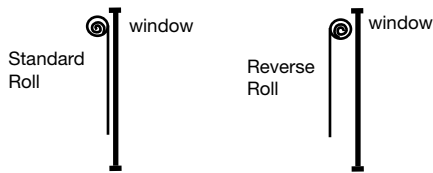
Shade Options - No Charge

- Chain location
- Turning fabric width for height to accommodate wider windows
- Longer chain length
- Reverse Roll
- Cable Locks - Motorized
- Guide Cables - Motorized
- Hold downs - Continuous-loop

Shade Options - Surcharge

- Cassette Valance
- Motorization Accessories

Reverse Roll

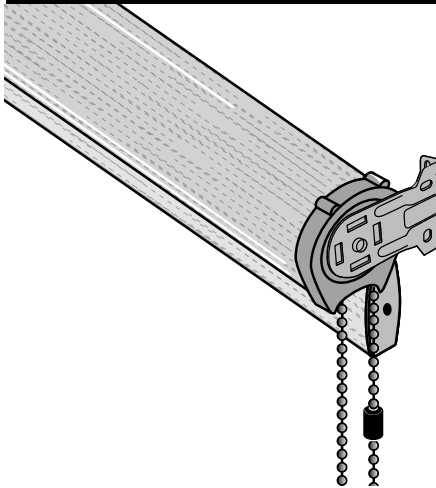


• No charge

- Standard roll is where fabric rolls over the tube to the back
- Reverse roll is where the fabric rolls over the tube to the front
- Reverse roll not available with Cassette Valance
- Roll direction cannot be changed after shade is manufactured

NOTE: For optimal privacy and light control, Standard Roll should be used.

Continuous-loop Lift



• For Pricing, see Price Chart

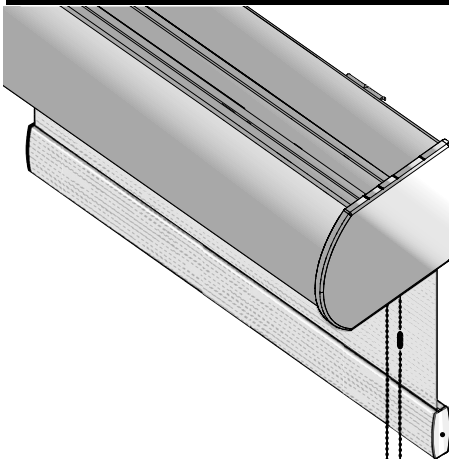
- Beaded chain and clutch system makes raising and lowering shade easy
- Two clutch sizes depending on shade size
- Stainless bead chain, stays same length, regardless of shade position
- Bead chain length is approximately $\frac{7}{8}$ length of shade; customer can request a longer chain length at time of order
- Chain is kept at a constant length and held taut by a safety hold down device

NOTE: Hold down device must be installed to operate the shade.

- Choose left or right chain location (right is standard)
- Optional powder-coated cassette valance comes in 2 sizes (medium or large) and 4 colors: Black 939, Brown 873, Vanilla 970, White 871
- Component and cassette valance color is selectable
- Hem Bar hold downs attach the shade to the frame of the window or deck/patio
- Fabrics and components are specifically designed for outdoor use

NOTE: All exterior shades must be fully raised in wind and inclement weather.

Curved Cassette Valance



• For surcharge, see Price Chart

- Curved, sleek, aluminum-extruded cassette valance
- Available in four colors: Black 939, Brown 873, Vanilla 970, White 871
- Powder-coated finish
- Rated for outdoor use
- Curved Cassette Valance must be ordered at the same time as the Continuous-loop shade (Note: Automatically comes with Motorized)
- Sizes: Medium $3\frac{5}{8}$ " (9.3 cm) H x $4\frac{1}{4}$ " (10.8 cm) D (Continuous-loop only)
Large $4\frac{5}{8}$ " (11.8 cm) H x $5\frac{1}{2}$ " (14.0 cm) D

Options

Motorized Lift

- **For Pricing, see Price Charts**

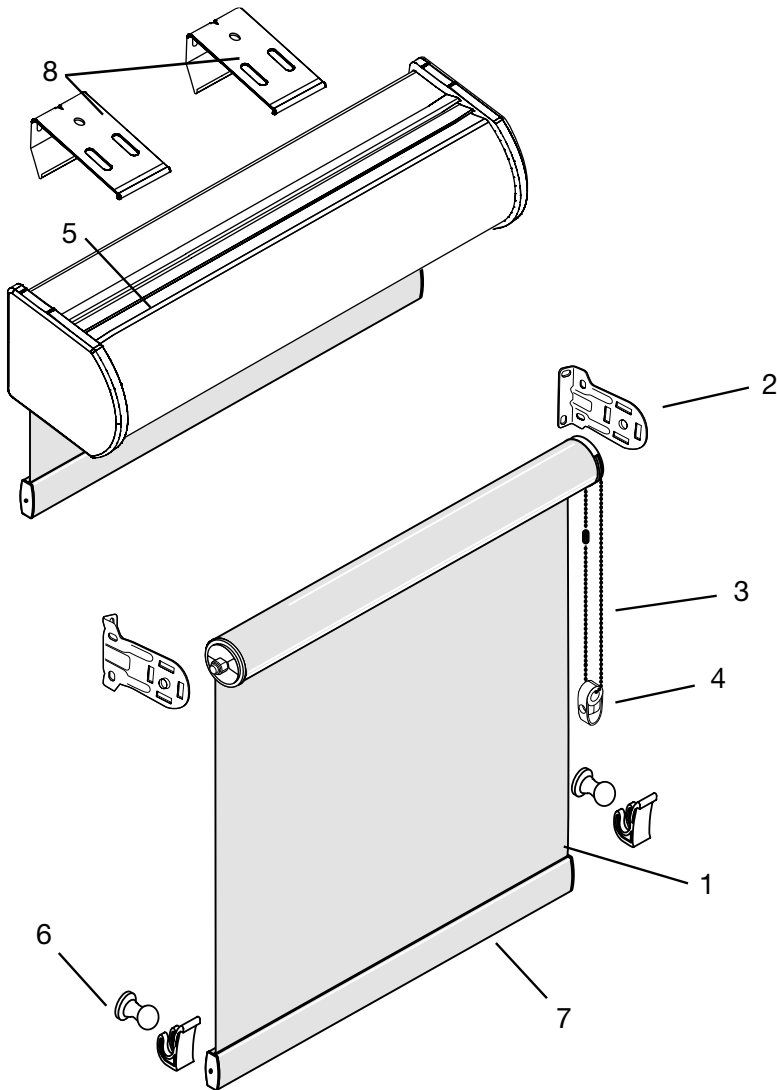
- Components are rated for exterior use
- Motorized Shades come standard with a Radio-Frequency AC motor providing convenient operation through wireless remote controllers and wall switches
- Powered using a 3-prong plug (residential outlet) or wired directly by an electrician
- Radio Frequency operation allows shade operation from virtually anywhere without direct line of sight. No wiring is required between the motor and the controllers
- Upper and lower motor limits are pre-programmed for added convenience
- Large Cassette Valance is included in price, available in four colors: Black 939, Brown 873, Vanilla 970, White 871
- Universal Cable Locks are standard
- Guide Cables are secured with unique, Universal Cable Lock that can be mounted Base/Sill, Side/Jamb or Back/Wall
- Guide Cables determined by shade height; 54" (137.2 cm), 80" (203.2 cm)

Motorized Options

- Controllers and wall switches are wireless, providing installation and operation convenience
- 1- and 5-channel remote controllers operate individual or groups of shades
- Exterior rated remote controls are water resistant and shock proof
- Interior remote controllers and wireless wall switches can operate the same shades
- Interior wireless 1- and 5-channel wall switches provide convenient operation of individual or groups of shades from inside the home
- Wind Sensor will automatically raise the shade in windy conditions, providing protection of your shades
- Choose left or right motor power cable location
- Power cable lengths available in 6' (182.9 cm) or 24' (731.6 cm).
- Exterior rated black plug available

General Information

Exterior Continuous-loop Lift Product Detail



1. Shade/Fabric

- Exterior rated solar styles
- 1% - 10% openness
- Multiple colors

2. Mounting End Bracket

- Universal bracket for control and idle end
- Can be mounted top, back or side of shade
- Coated for exterior use

3. Chain Control

- Stainless steel
- Continuous-loop lift chain remains at same length, regardless of shade position
- Choose left or right chain location

4. Chain Guide

- Holds chain taut for enhanced safety in homes with children and pets; chain guide must be installed to operate the shade
- Shown as inside mount

5. Cassette Valance (optional)

- Cassette valances are powder coated
- Colors available: Black 939, Brown 873, Vanilla 970, White 871
- Medium and large sizes available
- Protects shade from exterior elements
- Color coordinated cassette and end caps

6. Hold down

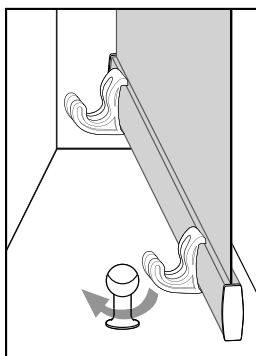
- Secures shade to the deck frame, wall or window sill
- Four colors: Black 939, Brown 873, Vanilla 970, White 871
- See illustrations below for installation options

7. Hem Bar

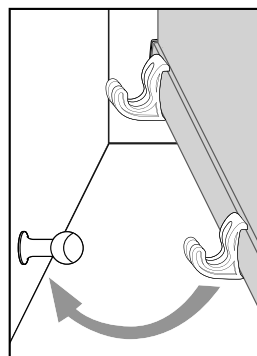
- Front - fabric covered
- Back - color coordinated to cassette or color selected at time of order
- Colors available: Black 939, Brown 873, Vanilla 970, White 871

8. Cassette Brackets

- Top or back mount
- Coated for exterior use



Base/Sill Mount

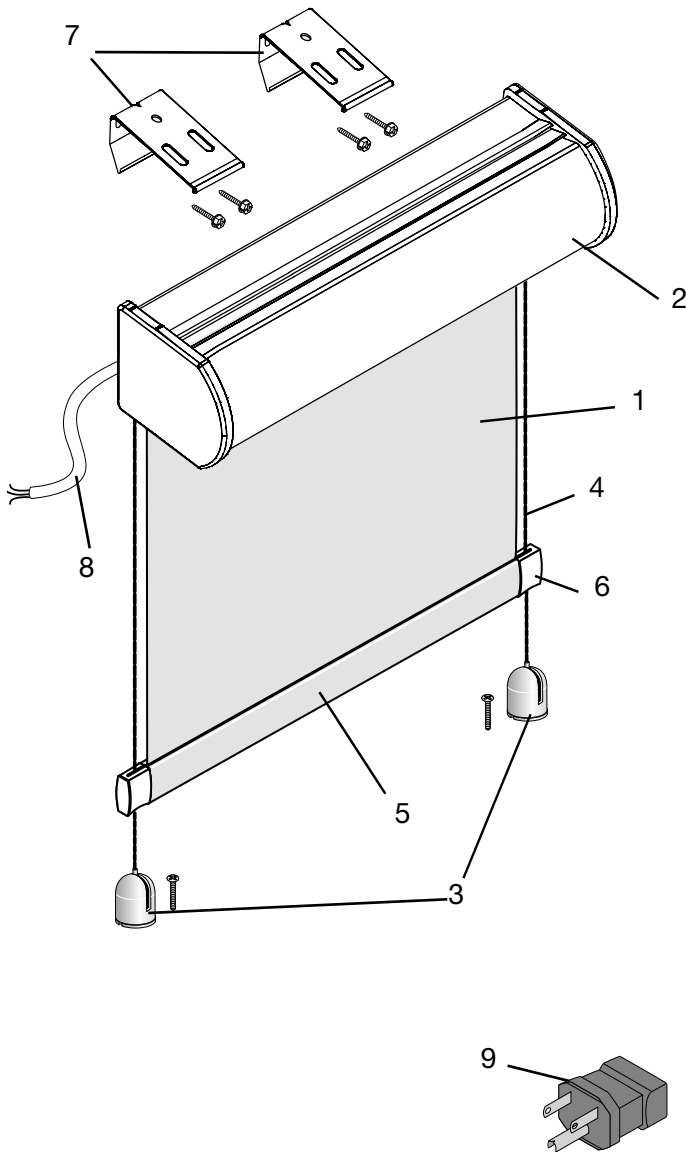


Back/Wall Mount

NOTE: The installation screws provided are for mounting on wood. For mounting on materials other than wood, please consult a qualified contractor.

General Information

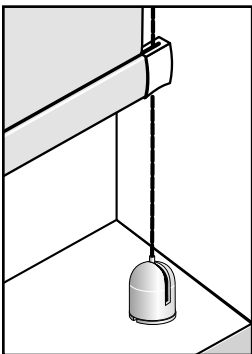
Exterior Motorized Shade Product Detail



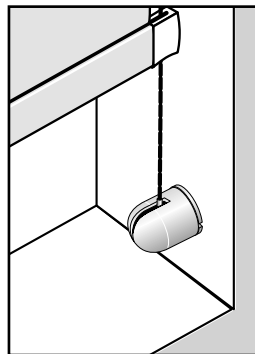
- 1. Shade/Fabric**
 - Exterior rated solar styles
 - 1% - 10% openness
 - Multiple colors
- 2. Cassette Valance** (standard)
 - Large size only
 - Cassette valances are powder coated
 - Colors available: Black 939, Brown 873, Vanilla 970, White 871
 - Color coordinated cassette endcaps
- 3. Universal Cable Locks**
 - Connects to Guide Cable
 - Can be installed as Base, Side or Back Mounts
 - See illustrations below for installation options
- 4. Guide Cables**
 - Stainless steel
- 5. Hem Bar**
 - Front - fabric covered
 - Back - powder coated and color coordinated to the cassette color
 - Colors available: Black 939, Brown 873, Vanilla 970, White 871
- 6. Hem Bar Guide Cable End Cap**
 - Color coordinated to the cassette color
- 7. Cassette Brackets**
 - Shade can top or back mount
 - Coated for exterior use
 - Number of brackets determined by shade size
- 8. Motor Power Cable**
 - Right or left exit from cassette
 - 6' (182.9 cm) or 24' (731.6 cm).
- 9. Plug** (optional)
 - Exterior rated
 - 3 wire, 15 amp
 - Used with Ground Fault Circuit Interrupter (GFCI) outlets

NOTE: A licensed electrician is required for all electrical connections. All local and NEC codes must be followed.

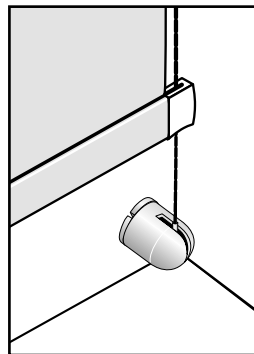
NOTE: The installation screws provided are for mounting on wood. For mounting on materials other than wood, please consult a qualified contractor.



Base/Sill Mount



Side/Jamb Mount



Back/Wall Mount

Price Charts

Continuous Loop: A100, B500, B1000, S100 S1, S300 S1, S500 S1, S500 S2, SheerWeave® 2390, SheerWeave 2410, SheerWeave 2500, SheerWeave 4000, SheerWeave 4100

HEIGHT UP TO ↓ inches (cm)	WIDTH UP TO inches (cm) →															
	24 (61.0)	32 (81.3)	36 (91.5)	42 (106.7)	48 (122.0)	54 (137.2)	60 (152.4)	66 (167.7)	72 (182.9)	78 (198.2)	84 (213.4)	96 (243.9)	108 (274.4)	120 (304.8)	132 (335.3)	144 (365.8)
36 (91.5)	\$177	189	200	211	220	242	263	283	308	389	409	459	502	555	616	685
42 (106.7)	180	191	208	225	242	266	289	312	339	420	446	496	549	604	672	746
48 (114.3)	185	195	215	239	260	289	315	342	368	453	481	532	585	656	726	807
54 (137.2)	191	198	222	251	279	310	341	368	394	487	513	573	633	704	781	868
60 (152.4)	198	202	230	263	296	330	364	393	421	519	546	612	679	754	836	929
66 (167.7)	202	207	244	282	317	363	391	421	452	553	576	643	726	804	891	990
72 (182.9)	209	219	258	299	339	397	416	450	481	585	608	671	771	853	947	1052
78 (198.2)	215	235	275	316	357	408	439	475	511	620	651	714	815	901	1001	1110
84 (213.4)	221	248	290	332	376	419	461	501	540	656	690	756	857	947	1052	1168
96 (243.9)	228	267	316	364	413	463	512	556	599	732	802	888	986	1095	1206	1316
108 (274.4)	246	302	355	409	464	519	574	624	672	826	875	985	1197	1331	1464	1597
120 (304.8)	272	334	394	457	517	576	638	694	747	917	1026	1170	1298	1442	1587	1659
132 (335.3)	326	383	437	505	573	642	709	769	830	1019	1094	1288	1441	1602	1762	1842
144 (365.8)	336	411	487	561	636	711	784	853	921	1129	1298	1430	1599	1777	1954	2043

Option Surcharges: Add Surcharge to Shade Price																
Medium Cassette Valance	\$100	105	111	132	133	139	146	154	162	174	189	202	217	233	250	268
Large Cassette Valance	119	125	132	145	156	166	175	186	195	209	226	242	260	279	300	322

Solar Style and Colors

<p>A100 (1%)</p> <p>Beige 2025 Charcoal 2125 Charcoal/Chestnut 2425 Oyster 1225 Oyster/Beige 1325 Oyster/Pearl Gray 1425</p> <p>B500 (5%)</p> <p>Alabaster 51502 Chalk 51501 Ebony 51508 Greystone 51505 Tobacco 51506</p> <p>B1000 (10%)</p> <p>Alabaster 51602 Ash 51609 Chalk 51601 Ebony 51608 Tobacco 51606</p> <p>S100 S1 (1%)</p> <p>Neutral S1001 Neutral Pearl/Gray S1003 Neutral/Sand S1002 Noir S1007 Noir/Brown S1009 Sand S1004</p>	<p>S300 S1 (3%)</p> <p>Neutral S3001 Neutral/Sand S3002 Noir S3007 Noir/Brown S3009 Noir/Gray S3008 Sand S3004</p> <p>S500 S1 (5%)</p> <p>Neutral S5001 Neutral/Granite S5003 Neutral/Sand S5002 Noir S5007 Noir/Brown S5009</p> <p>S500 S2 (5%)</p> <p>Greystone S5205 Neutral S5201 Neutral/Sand S5202 Noir S5208 Noir/Brown S5206</p>	<p>SheerWeave 2390 (5%)</p> <p>Beige Q2029 Beige/Pearl Gray Q2129 Charcoal V2129 Charcoal/Alpaca V3229 Charcoal/Chestnut V2429 Charcoal/Gray V2229 Oyster P1229 Oyster/Beige P1329 Oyster/Pearl Gray P1429 Pearl Gray V2029</p> <p>Sheerweave 2410 (3%)</p> <p>Beige Q2024 Beige/Pearl Gray Q2124 Charcoal V2124 Charcoal/Alpaca V3224 Charcoal/Chestnut V2424 Charcoal/Gray V2224 Oyster P1224 Oyster/Beige P1324 Oyster/Pearl Gray P1424 Pearl Gray V2024</p>	<p>Sheerweave 2500 (1%)</p> <p>Beige Q2025 Beige/Pearl Gray Q2125 Charcoal V2125 Charcoal/Alpaca V3225 Charcoal/Chestnut V2425 Charcoal/Gray V2225 Oyster P1225 Oyster/Beige P1325 Oyster/Pearl Gray P1425 Pearl Gray V2025</p> <p>Sheerweave 4000 (5%)</p> <p>Alabaster P0740 Ash V1540 Chalk P0640 Ebony V1040 Granite P1040 Greystone Q1540 Pebblestone Q1240 Pewter V0740 Tobacco Q1640</p> <p>Sheerweave 4100 (10%)</p> <p>Alabaster P0741 Ash V1541 Chalk P0641 Ebony V1041 Granite P1041 Greystone Q1541 Pebblestone Q1241 Pewter V0741 Tobacco Q1641</p>
--	---	---	---

Price Charts

Continuous Loop: Bamboo, Fern, Twine

HEIGHT UP TO ↓ inches (cm)	WIDTH UP TO inches (cm) →															
	24 (61.0)	32 (81.3)	36 (91.5)	42 (106.7)	48 (122.0)	54 (137.2)	60 (152.4)	66 (167.7)	72 (182.9)	78 (198.2)	84 (213.4)	96 (243.9)	108 (274.4)	120 (304.8)	132 (335.3)	144 (365.8)
36 (91.5)	\$200	213	224	238	248	272	295	317	346	439	460	516	565	624	694	769
42 (106.7)	203	215	235	254	272	299	324	351	380	473	500	558	617	679	756	839
48 (114.3)	208	218	243	268	293	324	354	384	413	509	541	599	659	736	816	908
54 (137.2)	215	222	251	283	314	349	383	413	444	548	576	645	712	793	879	975
60 (152.4)	222	226	257	295	334	372	410	443	474	584	614	690	764	847	940	1046
66 (167.7)	226	234	274	316	356	409	441	474	507	621	649	723	816	904	1003	1114
72 (182.9)	236	247	291	336	380	448	468	504	541	659	685	755	867	959	1065	1183
78 (198.2)	243	264	310	355	401	459	493	532	574	697	731	804	916	1013	1124	1248
84 (213.4)	249	278	325	373	423	471	518	563	607	736	775	850	964	1065	1183	1314
96 (243.9)	256	301	355	410	464	520	575	625	674	824	902	1000	1109			
108 (274.4)	276	340	399	460	521	584	646	702	756	929	983	1108	1231			
120 (304.8)	306	374	444	513	581	649	716	780	840	1031	1155	1316	1461			
132 (335.3)	366	430	492	568	645	722	798	865	933	1146	1231	1448	1621			
144 (365.8)	376	462	548	630	715	801	882	959	1037	1271	1461	1609	1797			

Option Surcharges: Add Surcharge to Shade Price

Medium Cassette Valance	\$100	105	111	132	133	139	146	154	162	174	189	202	217	233	250	268
Large Cassette Valance	119	125	132	145	156	166	175	186	195	209	226	242	260	279	300	322

Solar Style and Colors

Bamboo	Fern	Twine
Bronze 40003	Foggy 40204	Driftwood 40241
Butter Pecan 40002	Greige 40205	Flagstone 40246
Desert 40006	Praline Pearl 40201	Heritage 40210
Toasted Almond 40004	Sawdust 40206	Jewel 40248
		Metal 40247
		Oatmeal 40249

Price Charts

Motorized: A100, B500, B1000, S100 S1, S300 S1, S500 S1, S500 S2, SheerWeave® 2390, SheerWeave 2410, SheerWeave 2500, SheerWeave 4000, SheerWeave 4100

HEIGHT UP TO ↓ inches (cm)	WIDTH UP TO inches (cm) →															
	24 (61.0)	32 (81.3)	36 (91.5)	42 (106.7)	48 (122.0)	54 (137.2)	60 (152.4)	66 (167.7)	72 (182.9)	78 (198.2)	84 (213.4)	96 (243.9)	108 (274.4)	120 (304.8)	132 (335.3)	144 (365.8)
36 (91.5)	\$1776	1821	1872	1921	1947	2020	2042	2102	2133	2162	2229	2360	2497	2655	2861	3153
42 (106.7)	1797	1852	1899	1944	1969	2043	2068	2136	2195	2214	2271	2409	2545	2712	2903	3194
48 (114.3)	1819	1885	1927	1970	1988	2064	2094	2168	2245	2270	2309	2458	2591	2772	2946	3236
54 (137.2)	1841	1916	1954	1994	2011	2087	2121	2199	2267	2321	2350	2508	2638	2828	2990	3278
60 (152.4)	1858	1930	1974	2020	2032	2108	2146	2231	2304	2351	2385	2556	2693	2842	3049	3319
66 (167.7)	1883	1947	1994	2042	2055	2132	2172	2263	2343	2396	2427	2609	2754	2896	3079	3362
72 (182.9)	1900	1960	2011	2061	2108	2154	2198	2296	2382	2446	2478	2662	2798	2947	3143	3420
78 (198.2)	1919	1979	2035	2088	2134	2179	2224	2329	2419	2487	2527	2710	2843	3001	3189	3479
84 (213.4)	1933	1990	2053	2115	2163	2211	2251	2359	2457	2527	2571	2761	2888	3029	3236	3548
96 (243.9)	1970	2039	2090	2142	2192	2242	2279	2391	2495	2567	2619	2813	2989	3126	3331	3649
108 (274.4)	2006	2066	2112	2161	2213	2265	2324	2430	2555	2638	2695	2866	3090	3224	3430	3754
120 (304.8)	2044	2126	2160	2196	2251	2302	2376	2490	2616	2702	2775	2905	3186	3318	3525	3849
132 (335.3)	2081	2152	2173	2236	2305	2377	2420	2555	2679	2772	2851	2944	3286	3414	3622	3949
144 (365.8)	2120	2194	2213	2283	2352	2421	2466	2645	2727	2842	2935	3019	3388	3511	3718	4052

Pricing includes Radio Frequency Motor, Power Cord, Guide Cable, Cable Locks and Large Cassette

Motorization Controls

Radio Frequency Remote Controls	
Telis 1 Single Channel RF Remote: White	\$108
Telis 1 Single Channel RF Remote: Black or Silver	176
Telis 1 Single Channel Exterior RF Remote: White/Blue	134
Telis 4 Five Channel RF Remote: White	145
Telis 4 Five Channel RF Remote: Black or Silver	198
Telis 4 Five Channel Exterior RF Remote: White/Blue	146
Telis 16 Channel Remote: White or Silver	590

Radio Frequency Wall Switches	
DecoFlex Single Channel Wall Switch: White or Ivory	\$280
DecoFlex Single Channel Wall Switch: Black	340
DecoFlex Five Channel Wall Switch: White or Ivory	308
DecoFlex Five Channel Wall Switch: Black	350

120 Volt Exterior Power	
120 Volt Exterior Electrical 3-Prong Plug: 15 Amp	\$53

Additional Radio Frequency Controls	
RF Wind Sensor (includes exterior power cord with 3-prong plug)	\$525

Solar Style and Colors

<p>A100 (1%)</p> <ul style="list-style-type: none"> Beige 2025 Charcoal 2125 Charcoal/Chestnut 2425 Oyster 1225 Oyster/Beige 1325 Oyster/Pearl Gray 1425 <p>B500 (5%)</p> <ul style="list-style-type: none"> Alabaster 51502 Chalk 51501 Ebony 51508 Greystone 51505 Tobacco 51506 <p>B1000 (10%)</p> <ul style="list-style-type: none"> Alabaster 51602 Ash 51609 Chalk 51601 Ebony 51608 Tobacco 51606 <p>S100 S1 (1%)</p> <ul style="list-style-type: none"> Neutral S1001 Neutral Pearl/Gray S1003 Neutral/Sand S1002 Noir S1007 Noir/Brown S1009 Sand S1004 	<p>S300 S1 (3%)</p> <ul style="list-style-type: none"> Neutral S3001 Neutral/Sand S3002 Noir S3007 Noir/Brown S3009 Noir/Gray S3008 Sand S3004 <p>S500 S1 (5%)</p> <ul style="list-style-type: none"> Neutral S5001 Neutral/Granite S5003 Neutral/Sand S5002 Noir S5007 Noir/Brown S5009 <p>S500 S2 (5%)</p> <ul style="list-style-type: none"> Greystone S5205 Neutral S5201 Neutral/Sand S5202 Noir S5208 Noir/Brown S5206 <p>SheerWeave 2390 (5%)</p> <ul style="list-style-type: none"> Beige Q2029 Beige/Pearl Gray Q2129 Charcoal V2129 Charcoal/Alpaca V3229 Charcoal/Chestnut V2429 Charcoal/Gray V2229 Oyster P1229 Oyster/Beige P1329 Oyster/Pearl Gray P1429 Pearl Gray V2029 	<p>Sheerweave 2410 (3%)</p> <ul style="list-style-type: none"> Beige Q2024 Beige/Pearl Gray Q2124 Charcoal V2124 Charcoal/Alpaca V3224 Charcoal/Chestnut V2424 Charcoal/Gray V2224 Oyster P1224 Oyster/Beige P1324 Oyster/Pearl Gray P1424 Pearl Gray V2024 <p>Sheerweave 2500 (1%)</p> <ul style="list-style-type: none"> Beige Q2025 Beige/Pearl Gray Q2125 Charcoal V2125 Charcoal/Alpaca V3225 Charcoal/Chestnut V2425 Charcoal/Gray V2225 Oyster P1225 Oyster/Beige P1325 Oyster/Pearl Gray P1425 Pearl Gray V2025 	<p>Sheerweave 4000 (5%)</p> <ul style="list-style-type: none"> Alabaster P0740 Ash V1540 Chalk P0640 Ebony V1040 Granite P1040 Greystone Q1540 Pebblestone Q1240 Pewter V0740 Tobacco Q1640 <p>Sheerweave 4100 (10%)</p> <ul style="list-style-type: none"> Alabaster P0741 Ash V1541 Chalk P0641 Ebony V1041 Granite P1041 Greystone Q1541 Pebblestone Q1241 Pewter V0741 Tobacco Q1641
--	--	---	--

Price Charts

Motorized: Bamboo, Fern, Twine

HEIGHT UP TO inches (cm)	WIDTH UP TO inches (cm)															
	24 (61.0)	32 (81.3)	36 (91.5)	42 (106.7)	48 (122.0)	54 (137.2)	60 (152.4)	66 (167.7)	72 (182.9)	78 (198.2)	84 (213.4)	96 (243.9)	108 (274.4)	120 (304.8)	132 (335.3)	144 (365.8)
36 (91.5)	\$1798	1845	1896	1947	1975	2050	2074	2137	2171	2212	2280	2417	2560	2724	2939	3236
42 (106.7)	1821	1877	1926	1973	1999	2076	2103	2175	2237	2267	2325	2471	2613	2788	2987	3287
48 (114.3)	1842	1908	1954	1999	2021	2100	2133	2209	2290	2326	2368	2525	2664	2853	3036	3337
54 (137.2)	1866	1940	1983	2026	2046	2126	2162	2244	2317	2382	2413	2580	2716	2917	3088	3385
60 (152.4)	1883	1954	2001	2051	2070	2150	2192	2281	2357	2416	2453	2634	2777	2935	3153	3435
66 (167.7)	1907	1974	2025	2077	2094	2178	2222	2316	2398	2464	2499	2690	2844	2996	3191	3485
72 (182.9)	1927	1988	2044	2098	2150	2205	2250	2350	2441	2519	2555	2746	2894	3053	3261	3552
78 (198.2)	1946	2008	2070	2127	2178	2230	2278	2386	2483	2563	2607	2800	2944	3113	3312	3618
84 (213.4)	1960	2021	2089	2157	2210	2263	2308	2421	2525	2607	2657	2855	2995	3148	3368	3693
96 (243.9)	1997	2073	2129	2188	2243	2299	2342	2460	2570	2659	2719	2924	3111			
108 (274.4)	2037	2103	2156	2212	2271	2331	2395	2507	2639	2741	2803	2989	3123			
120 (304.8)	2078	2166	2210	2252	2315	2375	2454	2577	2710	2816	2904	3051	3349			
132 (335.3)	2121	2200	2228	2299	2377	2457	2509	2651	2782	2900	2988	3104	3466			
144 (365.8)	2160	2245	2275	2352	2431	2511	2564	2751	2844	2984	3097	3198	3586			

Pricing includes radio frequency motor, power cord, guide cable, cable locks and large cassette

Motorization Controls

Radio Frequency Remote Controls	
Telis 1 Single Channel RF Remote: White	\$108
Telis 1 Single Channel RF Remote: Black or Silver	176
Telis 1 Single Channel Exterior RF Remote: White/Blue	134
Telis 4 Five Channel RF Remote: White	145
Telis 4 Five Channel RF Remote: Black or Silver	198
Telis 4 Five Channel Exterior RF Remote: White/Blue	146
Telis 16 Channel Remote: White or Silver	590

Radio Frequency Wall Switches	
DecoFlex Single Channel Wall Switch: White or Ivory	\$280
DecoFlex Single Channel Wall Switch: Black	340
DecoFlex Five Channel Wall Switch: White or Ivory	308
DecoFlex Five Channel Wall Switch: Black	350

120 Volt Exterior Power	
120 Volt Exterior Electrical 3-Prong Plug: 15 Amp	\$53

Additional Radio Frequency Controls	
RF Wind Sensor (includes exterior power cord with 3-prong plug)	\$525

Solar Style and Colors

Bamboo	Fern	Twine
Bronze 40003	Foggy 40204	Driftwood 40241
Butter Pecan 40002	Greige 40205	Flagstone 40246
Desert 40006	Praline Pearl 40201	Heritage 40210
Toasted Almond 40004	Sawdust 40206	Jewel 40248
		Metal 40247
		Oatmeal 40249

Options Pricing

Options Pricing	
Option	Surcharge
Cable Locks (Motorized)	No charge
Cassette Valance	Continuous-loop lift – see price chart surcharges Motorized – Included in price
Component Colors	No charge
Continuous-loop Lift	Standard – see Continuous-loop Price Chart
Specific Channel Assignment (Motorized)	No charge
Fabric turned 90° width for height (Railroaded)	No charge
Guide Cables (Motorized)	No charge
Hold down Brackets (Continuous-loop)	No charge
Motorized Lift	See motorization tab for pricing
Motorized Accessories	See motorization tab for pricing
Reverse Roll	No charge
Seaming	No charge
Stainless Steel Chain	No charge



Graber is a brand of Springs Window Fashions, the Best Experience Company 

Graber and the Graber logo are registered trademarks of Springs Window Fashions, LLC.
SheerWeave is a registered trademark of Phifer Incorporated.

19-0500-09 (03/16) 15-1909|S15-1679