

LIGHTWEAVES® ROLLER AND SOLAR SHADES

Table of Contents

| | |
|---|-------|
| Features and Size Considerations | |
| Summary | 2 |
| Fabric Styles and Information: Roller Shades | 3-4 |
| Light Control and Privacy | 4 |
| LightWeaves® Solar Shade Fabrics | 5 |
| Fabric Styles and Information: Solar Shades | 5-7 |
| Fabric Recommendations, Fabric Disclaimers, Fabric Width, Fabric Certifications, Large Window Sizing Pattern Alignment, Cleaning and Care Information | 8 |
| Size Considerations | 9-27 |
| Options | |
| Summary and Reverse Roll, Projection Brackets | 28 |
| Cordless Lift Control | 29 |
| Continuous-loop Lift Control | 29 |
| Smart Pull Control | 30 |
| Motorized Lift | 30 |
| Dual Shades | 31 |
| Square-corner Valance, Cassette Valance, Fascia Options | 32 |
| Hem Bar, Component Upgrade | 33 |
| Roller Shades: Scallop Option | 34 |
| Roller Shades: Gimp Option | 34 |
| Roller Shades: Bead Trim Option | 35 |
| Fabric and Trim Cut Yardage | 35 |
| Corner Windows | 36 |
| Bay Windows | 37 |
| General Information | |
| LightWeaves Cordless Shade Product Detail | 38 |
| LightWeaves Continuous-loop Lift Shade Product Detail | 39 |
| LightWeaves Smart Pull Lift Shade Product Detail | 40 |
| LightWeaves Dual Shade Product Detail | 41 |
| Color Coordination Charts | 42-46 |
| Price Charts and Option Pricing | |
| Price Group A: Roller Shade Fabric: Capri, Essential | 47 |
| Price Group B: Solar Shade Fabric: A300, A500, S100 S1, S300 S1, S500 S1, S500 S2 | 48 |
| Price Group C: Roller Shade Fabric: Cambridge LF, Harmony, Sheffield | 49 |
| Solar Shade Fabric: AI00, B500, B1000, Cirrus, Cumulus, Monticello, Stratus | 49 |
| Price Group D: Roller Shade Fabric: Crossweave, Crystalline, Crystalline Essence, Debut, Elements, Monaco, Prairie, Riverbend, Royale, Rujin, Scripture, Sedona, Suburban II | 50-51 |
| Solar Shade Fabric: Aura, Bamboo, Contour, Fern, Linen, Menagerie, Origins, Tranquility, Twine, Wicker | 50-51 |
| Price Group E: Roller Shade Fabric: Allure, Brilliance, Cambridge RD, Eventide, Opulent | 52 |
| Solar Shade Fabric: Marquesa | 52 |
| Price Group LC1: Solar Shade Fabric: SheerWeave® (1000, 2000, 2100, 2360, 2390, 2410, 2500, 2701, 2703, 2705, 2710, 3000, 4000, 4100, 4400, 4500, 4550, 4600, 4650, 4800). | 53-54 |
| Price Group LC2: Roller Shade Fabric: SheerWeave (7000, 7100) | 55 |
| Solar Shade Fabric: E Screen 1%, E Screen 3%, M Screen 3%, M Screen 5% | 55 |
| Price Group LC3: Solar Shade Fabric: SheerWeave PP 2390, SheerWeave PP 2410 | 56 |
| Cut Yardage Fabric Pricing | 57-58 |
| Cut Yardage Trim Pricing | 58 |
| Options Pricing | 59 |
| Scallop with Gimp, Fringe and Bead Trim Pricing | 59 |
| Square-corner Valance Only Pricing | 59 |



Features

Grab® Roller and Solar shades offer a great selection of light-and temperature-controlling shades.

Roller Shades

- Wide variety of colors
- Wide variety of textures
- Improved temperature control

Solar Shades

- 1% – 25% openness
- Excellent outward visibility
- Glare control

| Features | Benefits |
|---|--|
| Continuous-Loop Lift | <ul style="list-style-type: none"> • Spring loaded idle for easy install • Beaded chain and clutch system make raising and lowering shade easy • Four clutch sizes depending on shade size • Beaded chain remains at same length, regardless of shade position • Choose from five colors for the plastic chain or stainless steel chain • Hold down device keeps chain taut for enhanced safety • Choose left or right chain location • Optional Square-corner Valance with fabric insert, cassette valance with fabric insert, fascia, or wood cornice |
| Cordless Lift | <ul style="list-style-type: none"> • Streamlined appearance with no chains; ideal for homes with children or pets • Shade raises and lowers smoothly and easily due to a unique speed braking system • Tension can be manually adjusted so shade always raises at desired speed • Color-coordinated tassels facilitate easy operation and keep fabrics clean (wood tassels in Natural, Walnut and Golden Oak are optional) • Optional clear hem grip available (not available with scallop option) • Optional Square-corner Valance with fabric insert, cassette valance with fabric insert, or wood cornice |
| Smart Pull Lift | <ul style="list-style-type: none"> • Convenient easy glide lift system with a single color coordinated cord • Shade is lowered automatically with a single pull of the cord • Shade is raised to the desired placement with simple pulls of the cord • Optional Square-corner Valance with fabric insert, cassette valance with fabric insert, or wood cornice |
| Motorized Lift | <ul style="list-style-type: none"> • Window treatments can be operated from virtually anywhere in the home • Provides easy operation of hard-to-reach or larger windows • Operate multiple window treatments simultaneously or individually |
| Dual Shade | <ul style="list-style-type: none"> • Two shades are combined onto one bracket for complete privacy and light control • Each shade may be configured with Roller or Solar fabrics • Maximizes view to the outside with Solar or sheer fabrics • Maximizes privacy with Roller fabrics • Improves energy efficiency • Optional large cassette |
| Options | <ul style="list-style-type: none"> • Each operating system offers valance options (surcharge applies) • Turning fabric width for height and seaming accommodates larger windows; available on select fabrics • Reverse Roll: Fabric rolls over the tube; Standard: Material rolls over the back • Hem bar: fabric-wrapped (standard) or sealed (optional with Continuous-loop and Motorized Lift) • Projection brackets for Smart Pull and Cordless (no charge) • Hold down brackets (no charge) • Bay or Corner Shade • Motorized Lift • Multiple cornice and valance options available • Fascia available in 3" (7.7 cm) and 4" (10.2 cm) heights • Beaded chain available in colors: Black, Brown, Gray, Stainless Steel, Vanilla or White |
| Total Room Coordination | <ul style="list-style-type: none"> • Total room fabric coordination of many fabrics for Roller, Solar, Sliding Panels, Verticals and Pleated shades • Coordinate a room by using a single fabric for a mixture of window types and sliding doors • Create unique looks with scallops and trims • Cut yardage available |
| Scallop and Gimp, Trims and Fringe (optional) | <ul style="list-style-type: none"> • Create a customized look for Roller shades |
| Warranty | <ul style="list-style-type: none"> • Limited lifetime warranty, five-year warranty on motorization components |

Features

Roller Shade Fabrics

- Offer a solution for light control (sheer to blackout fabrics)
- Any room or decorating style
- Block damaging UV rays
- Coordinate with other product lines (Vertical Blinds, EvenPleat® and FashionPleat® Pleated shades)

Fabric Styles and Information: Roller Shades

| Style Name | Price Group | Opacity Level | Fabric Composition | Fabric Width inches (cm) | Oeko-Tex® Certified | Can be turned width for height | Can be Seamed | Color to Street side | Color Number |
|---------------------|-------------|-----------------|--|-----------------------------|------------------------|---|------------------|-------------------------|-----------------|
| Allure | E | Light Filtering | 100% Polyester | 107¾ (273.7) | ✓ | ✓ | | Shiny version of front | All |
| Brilliance | E | Blackout | 100% Polyester with 70% Polyester / 30% Cotton backing | 77½ (196.9) | ✓ | | | White | All 01903 |
| | | Light Filtering | | | ✓ | | | | |
| Cambridge LF | C | Light Filtering | 100% Polyester | 76 (193.1) | ✓ | ✓ | | Same front and back | 11103 |
| | | | | 91¾ (233.0) | ✓ | ✓ | All | | |
| Cambridge RD | E | Room Darkening | 100% Polyester with Acrylic Backing | 76 (193.1) | ✓ | ✓ | | White | 11203 |
| | | | | 91¾ (233.0) | ✓ | ✓ | All | | |
| Capri | A | Light Filtering | 75% Cellulose/ 25% Polyester | 70 (177.8) | ✓ | | | Same front and back | All |
| Crossweave | D | Light Filtering | 100% Polyester | 71½ (181.6) | ✓ | ✓ | | Same front and back | All |
| Crystalline | D | Light Filtering | 100% Polyester | 76 (193.1) | ✓ | ✓ | | Same front and back | 1251 |
| | | Room Darkening | | | ✓ | ✓ | 1252 | | |
| Crystalline Essence | D | Light Filtering | 100% Polyester | 76 (193.1) | ✓ | ✓ | | Non print base color | 1261 |
| | | Room Darkening | | | ✓ | ✓ | 1262 | | |
| Debut | D | Light Filtering | 100% Polyester | 84 (213.4) | | | | Neutral | All |
| Elements | D | Sheer | 100% Polyester | 107½ (273.1) | ✓ | | | Same front and back | All |
| Essential** | A | Blackout | 3 ply Vinyl/ 1 ply Fiberglass | 69⅞ (177.5) | | ✓ | ✓ | White | All |
| Eventide* | E | Blackout | 100% Polyester with Acrylic Foamed Backing | 116 (294.6) | | | ✓ | White | All |
| Harmony | C | Light Filtering | 100% Polyester | 91¾ (233.1) | ✓ | | | Same front and back | All |
| Monaco | D | Sheer | 100% Polyester | 76 (193.1) | | ✓ | | Same front and back | All |
| Opulent | E | Blackout | 100% Polyester | 95½ (242.6) | ✓ | | | White | All |
| Prairie | D | Light Filtering | 100% Polyester | 107½ (273.1) | | | | Same front and back | All |
| Riverbend | D | Light Filtering | 100% Polyester | 71½ (181.6) | ✓ | | | Same front and back | All |
| Royale | D | Light Filtering | 100% Polyester with Polyester Backing | 71½ (181.6) | ✓ | | | Neutral | All |
| Rujin | D | Light Filtering | 76% Polyester/ 24% Polypropylene | 71½ (181.6) | ✓ | | | Same front and back | All |

*FR Rated.

**Essential material is FR Rated and can be seamed.

NOTE: A black line may appear on back side of shade due to blackout fabric and seaming process.

Features

Fabric Styles and Information: Roller Shades

| Style Name | Price Group | Opacity Level | Fabric Composition | Fabric Width inches (cm) | Oeko-Tex® Certified | Can be turned width for height | Can be Seamed | Color to Street side | Color Number |
|----------------------------------|-------------|-----------------|---|-----------------------------|------------------------|---|------------------|-------------------------|-----------------|
| Scripture | D | Light Filtering | 100% Polyester | 84 (213.4) | | ✓ | | Neutral | All |
| Sedona | D | Light Filtering | 100% Polyester | 71½ (181.6) | ✓ | ✓ | | Neutral | All |
| SheerWeave® 7000 ^Δ | LC2 | Blackout | 100% Polyester with Acrylic Foamed Backing | 116 (294.6) | | | ✓ | White | All |
| SheerWeave 7100 ^Δ | LC2 | Blackout | PVC-coated Fiberglass Laminated with 2 Ply 100% PVC Blackout Film | 94 (238.8) | | | ✓ | White | All |
| Sheffield | C | Light Filtering | 100% Polyester | 71½ (181.6) | ✓ | ✓ | | Neutral | All |
| Suburban II | D | Light Filtering | 100% Polyester | 71½ (181.6) | ✓ | ✓ | | Same front and back | All |

^ΔSheerWeave 7000 and SheerWeave 7100 are GREENGUARD Certified and FR Rated.

Light Control and Privacy

Sheer: Allows the most amount of light into the room for a minimum amount of privacy and a view to the outside. Objects in the room can be seen quite clearly through shades. **Privacy Level:** Moderate

Light Filtering*: Allows light to gently filter through and provides privacy. Images and shapes may be seen through these shades, but details are not visible. Deep fabric colors provide moderate light control, while light colors provide lower light control. **Privacy Level:** Moderate

Room Darkening*: Allows some light to filter into the room and provides privacy. Objects in a lit room seen through these shades appear as vague shapes. Deep fabric colors darken a room; light colors filter and diffuse bright sunlight. **Privacy Level:** Complete

Blackout: Prohibits light from shining through and provides maximum privacy. Prevents shadows and silhouettes from showing through the fabric. All fabric colors provide maximum light control. **Privacy Level:** Complete

Light Gaps: On Continuous-loop, dual shade and motorized inside mounts, there is an 1¼" light gap per side. On Smart Pull inside mounts, there is approximately 1" (2.6 cm) of light gap on the pull cord side and just over ½" (1.3 cm) on the opposite side. On cordless inside mounts, there is approximately ¾" (1.5 cm) of light gap per side. For optimal light and glare control, outside mount is recommended, or you may add a secondary soft window treatment (drapery or curtain) to hide the light gap on an inside mount. **Privacy Level:** Moderate

***These fabrics are translucent and their colors may be influenced by changing light conditions. Colors may appear to vary depending upon the time of day and type of lighting, as well as whether the shade is partially or fully lowered.**

Features

LightWeaves® Solar Shade Fabrics

- **Maintain an outward view**
 - Filter and diffuse light while maintaining an outward view
 - In general, the higher the openness factor and darker the fabric, the clearer the view
 - **Manage glare**
 - Minimize glare on televisions and home office computers
 - The darker the fabric color, the better the glare control and the better the view to the outside
 - **Block damaging UV rays**
 - The amount of UV ray blockage is the inverse of a fabric's openness factor (i.e., a fabric with 10% openness blocks 90% of UV rays)
 - Protects your furniture, carpets, artwork, etc. from fading due to harmful UV rays
 - **Reduce the temperature**
 - LightWeaves fabrics reduce heat transmittance, keeping rooms cooler and increasing the comfort level in the home
 - The lighter the fabric color, the better the temperature control
- NOTE:** Solar shades do not offer nighttime privacy; lighted interiors allow inward visibility. If complete privacy is desired, a dual shade or secondary treatment is necessary.

Fabric Styles and Information: Solar Shades

| Style Name | Price Group | Openness | UV Blockage | Fabric Composition | Fabric Width inches (cm) | GREENGUARD Certified | Antimicrobial | FR Rated | Can be Turned Width for Height | Can be Seamed | Color Number |
|-------------|-------------|----------|-------------|---|-----------------------------|-------------------------|---------------|----------|-----------------------------------|---------------|----------------------------------|
| A100 | C | 1% | 99% | 37% Fiberglass/63% Vinyl on Fiberglass | 96 (243.9) | ✓ | ✓ | ✓ | ✓ | ✓ | All |
| A300 | B | 3% | 97% | 15% Polyester/85% Vinyl on Polyester | 95½ (242.6) | ✓ | | ✓ | ✓ | ✓ | All |
| A500 | B | 5% | 95% | 15% Polyester 85% Vinyl on Polyester | 95½ (242.6) | ✓ | | ✓ | ✓ | ✓ | All |
| Aura | D | 5% | 95% | 23% Polyester/63% Vinyl on Polyester/ 14% Uncoated Polyester | 96 (243.9) | ✓ | ✓ | ✓ | | | 40243 |
| | | 5% | 95% | 23% Polyester/64% Vinyl on Polyester/ 13% Uncoated Polyester | 96 (243.9) | ✓ | ✓ | ✓ | | | 40245 |
| | | 5% | 95% | 43% Polyester/57% PVC | 96 (243.9) | ✓ | ✓ | ✓ | | | 40229 40230 |
| B500 | C | 5% | 95% | 25% Polyester/75% Vinyl on Polyester | 96 (243.9) | ✓ | ✓ | ✓ | ✓ | ✓ | All |
| B1000 | C | 10% | 90% | 25% Polyester/75% Vinyl on Polyester | 96 (243.9) | ✓ | ✓ | ✓ | ✓ | ✓ | All |
| Bamboo | D | 7% | 93% | 25% Polyester/75% Vinyl on Polyester | 96 (243.9) | ✓ | ✓ | ✓ | ✓ | | All |
| Cirrus | C | 10% | 90% | 58% Vinyl on Fiberglass/42% Fiberglass | 96 (243.9) | ✓ | ✓ | ✓ | ✓ | ✓ | All |
| | | 5% | 95% | 26% Polyester/67% PVC /7% Olefin | 96 (243.9) | ✓ | ✓ | ✓ | | | All |
| Contour | D | 7% | 93% | 27.5% Polyester/67% Vinyl on Polyester/ 5.5% Acrylic | 96 (243.9) | ✓ | ✓ | ✓ | | | 40244 |
| | | 7% | 93% | 28% Polyester/ 72% Vinyl on Polyester | 96 (243.9) | ✓ | ✓ | ✓ | | | 40236 |
| Cumulus | C | 14% | 86% | 78% PVC/22% Polyester | 95½ (242.6) | ✓ | | ✓ | ✓ | | All |
| E Screen 1% | LC2 | 1% | 99% | 36% Fiberglass/64% Vinyl on Fiberglass | 96 (302.3) | | | ✓ | | ✓ | All |
| E Screen 3% | LC2 | 3% | 97% | 36% Fiberglass/64% Vinyl on Fiberglass | 96 (302.3) | | | ✓ | | ✓ | All |
| | | 7% | 93% | 25% Polyester/75% Vinyl on Polyester | 96 (243.9) | ✓ | ✓ | ✓ | ✓ | | 40201 |
| | | 7% | 93% | 25% Polyester/68% PVC/7% Olefin | 96 (243.9) | ✓ | ✓ | ✓ | ✓ | | 40204 |
| Fern | D | 7% | 93% | 28% Polyester/72% PVC | 96 (243.9) | ✓ | ✓ | ✓ | ✓ | | 40205 40206 |
| | | 3% | 97% | 45% Polyester/55% Vinyl on Polyester | 96 (243.9) | ✓ | ✓ | ✓ | | | R1150 R1250 U1050 V8850 |
| Linen | D | 3% | 97% | 45% Polyester/55% Vinyl on Polyester | 96 (243.9) | ✓ | ✓ | ✓ | | | U1250 U1150 |
| | | 3% | 97% | 43% Polyester/57% Vinyl on Polyester | 96 (243.9) | ✓ | ✓ | ✓ | | | |

Features

| Fabric Styles and Information: Solar Shades | | | | | | | | | | | |
|---|-------------|----------|-------------|---|--------------------------|----------------------|---------------|----------|--------------------------------|---------------|--------------|
| Style Name | Price Group | Openness | UV Blockage | Fabric Composition | Fabric Width inches (cm) | GREENGUARD Certified | Antimicrobial | FR Rated | Can be Turned Width for Height | Can be Seamed | Color Number |
| M Screen 3% | LC2 | 3% | 97% | 36% Fiberglass/64% Vinyl | 119 (302.3) | ✓ | | ✓ | ✓ | ✓ | All |
| M Screen 5% | LC2 | 5% | 95% | 36% Fiberglass/64% Vinyl | 119 (302.3) | ✓ | | ✓ | ✓ | ✓ | All |
| Marquesa | E | 5% | 95% | 21% Polyester/58% Vinyl on Polyester/ 21% Olefin | 96 (243.9) | ✓ | ✓ | ✓ | | | All |
| Menagerie | D | 3% | 97% | 43% Polyester/57% Vinyl on Polyester | 96 (243.9) | ✓ | ✓ | ✓ | | | 42423 |
| | | 5% | 95% | 27.5% Polyester/67% Vinyl on Polyester/ 5.5% Acrylic | 96 (243.9) | ✓ | ✓ | ✓ | | | 42407 |
| | | 5% | 95% | 28% Polyester/72% Vinyl on Polyester | 96 (243.9) | ✓ | ✓ | ✓ | | | 40240 |
| | | 5% | 95% | 49% Polyester/51% Vinyl on Polyester | 96 (243.9) | ✓ | ✓ | ✓ | | | 42424 |
| | | 7% | 93% | 26.3% Polyester/67.7% Vinyl on Polyester/ 6% Acrylic | 96 (243.9) | ✓ | ✓ | ✓ | | | 42409 |
| | | 7% | 93% | 27% Polyester/68% Vinyl on Polyester/ 5% Olefin | 96 (243.9) | ✓ | ✓ | ✓ | | | 42415 |
| | | 7% | 93% | 27.5% Polyester/67% Vinyl on Polyester/ 5.5% Acrylic | 96 (243.9) | ✓ | ✓ | ✓ | | | 40242 |
| | | 10% | 90% | 26.3% Polyester/67.7% Vinyl on Polyester/ 6% Acrylic | 96 (243.9) | ✓ | ✓ | ✓ | | | 42426 |
| Monticello | C | 7% | 93% | 23.8% Polyester/76.2% Vinyl on Polyester | 95½ (242.6) | ✓ | | ✓ | ✓ | | All |
| Origins | D | 5% | 95% | 26% Polyester/67% PVC/7% Olefin | 96 (243.9) | ✓ | ✓ | ✓ | | | All |
| S100 S1 | B | 1% | 99% | 25% Polyester/ 75% PVC Vinyl on Polyester | 96 (243.9) | ✓ | ✓ | ✓ | ✓ | ✓ | All |
| S300 S1 | B | 3% | 97% | 18% Polyester/ 82% PVC on Polyester | 96 (243.9) | ✓ | ✓ | ✓ | ✓ | ✓ | All |
| S500 S1 | B | 5% | 95% | 16% Polyester/ 84% PVC on Polyester | 96 (243.9) | ✓ | ✓ | ✓ | ✓ | ✓ | All |
| S500 S2 | B | 5% | 95% | 13% Polyester/ 87% PVC on Polyester | 96 (243.9) | ✓ | ✓ | ✓ | ✓ | ✓ | All |
| SheerWeave® 1000 | LC1 | 25% | 75% | 35% Fiberglass/65% Vinyl on Fiberglass | 82 (208.3) | ✓ | ✓ | ✓ | ✓ | ✓ | All |
| SheerWeave 2000 | LC1 | 5% | 95% | 37% Fiberglass/63% Vinyl on Fiberglass | 96 (243.9) | ✓ | ✓ | ✓ | ✓ | ✓ | All |
| SheerWeave 2100 | LC1 | 10% | 90% | 37% Fiberglass/63% Vinyl on Fiberglass | 96 (243.9) | ✓ | ✓ | ✓ | ✓ | ✓ | All |
| SheerWeave 2360 | LC1 | 10% | 90% | 35% Fiberglass/65% Vinyl on Fiberglass | 96 (243.9) | ✓ | ✓ | ✓ | ✓ | ✓ | All |
| SheerWeave 2390 | LC1 | 5% | 95% | 35% Fiberglass/65% Vinyl on Fiberglass | 124 (315.0) | ✓ | ✓ | ✓ | ✓ | ✓ | All |
| SheerWeave PP 2390 | LC3 | 5% | 95% | 34% Fiberglass/64% Vinyl on Fiberglass 2% Aluminum Coating | 94 (238.8) | ✓ | ✓ | ✓ | ✓ | ✓ | All |
| SheerWeave 2410 | LC1 | 3% | 97% | 35% Fiberglass/65% Vinyl on Fiberglass | 124 (315.0) | ✓ | ✓ | ✓ | ✓ | ✓ | All |
| SheerWeave PP 2410 | LC3 | 3% | 97% | 34% Fiberglass/64% Vinyl on Fiberglass 2% Aluminum Coating | 96 (243.9) | ✓ | ✓ | ✓ | ✓ | ✓ | All |
| SheerWeave 2500 | LC1 | 1% | 99% | 37% Fiberglass/63% Vinyl on Fiberglass | 124 (315.0) | ✓ | ✓ | ✓ | ✓ | ✓ | All |
| SheerWeave 2701 | LC1 | 1% | 99% | 36% Fiberglass/64% Vinyl on Fiberglass | 96 (243.9) | ✓ | ✓ | ✓ | ✓ | ✓ | All |
| SheerWeave 2703 | LC1 | 3% | 97% | 36% Fiberglass/64% Vinyl on Fiberglass | 96 (243.9) | ✓ | ✓ | ✓ | ✓ | ✓ | All |
| SheerWeave 2705 | LC1 | 5% | 95% | 34% Fiberglass/66% Vinyl on Fiberglass | 96 (243.9) | ✓ | ✓ | ✓ | ✓ | ✓ | All |

Features

| Fabric Styles and Information: Solar Shades | | | | | | | | | | | |
|--|-------------|----------|-------------|--|-----------------------------|-------------------------|---------------|----------|-----------------------------------|---------------|-------------------------|
| Style Name | Price Group | Openness | UV Blockage | Fabric Composition | Fabric Width inches (cm) | GREENGUARD Certified | Antimicrobial | FR Rated | Can be Turned Width for Height | Can be Seamed | Color Number |
| SheerWeave 2710 | LC1 | 10% | 90% | 34% Fiberglass/66% Vinyl on Fiberglass | 96 (243.9) | ✓ | ✓ | ✓ | ✓ | ✓ | All |
| SheerWeave 3000 | LC1 | 14% | 86% | 35% Fiberglass/65% Vinyl on Fiberglass | 94 (238.8) | ✓ | ✓ | ✓ | ✓ | ✓ | All |
| SheerWeave 4000 | LC1 | 5% | 95% | 25% Polyester/75% Vinyl on Polyester | 124 (315.0) | ✓ | ✓ | ✓ | ✓ | ✓ | All |
| SheerWeave 4100 | LC1 | 10% | 90% | 25% Polyester/75% Vinyl on Polyester | 96 (243.9) | ✓ | ✓ | ✓ | ✓ | ✓ | All |
| SheerWeave® 4400 | LC1 | 3% | 97% | 25% Polyester/75% Vinyl on Polyester | 124 (315.0) | ✓ | ✓ | ✓ | ✓ | ✓ | All |
| SheerWeave 4500 | LC1 | 5% | 95% | 17% Polyester/83% Vinyl on Polyester | 96 (243.9) | ✓ | ✓ | ✓ | ✓ | ✓ | All |
| SheerWeave 4550 | LC1 | 5% | 95% | 17% Polyester/83% Vinyl on Polyester | 96 (243.9) | ✓ | ✓ | ✓ | ✓ | ✓ | All |
| SheerWeave 4600 | LC1 | 3% | 97% | 22% Polyester/78% Vinyl on Polyester | 96 (243.9) | ✓ | ✓ | ✓ | ✓ | ✓ | All |
| SheerWeave 4650 | LC1 | 3% | 97% | 17% Polyester/83% Vinyl on Polyester | 96 (243.9) | ✓ | ✓ | ✓ | ✓ | ✓ | All |
| SheerWeave 4800 | LC1 | 1% | 99% | 24% Polyester/76% Vinyl on Polyester | 94 (238.8) | ✓ | ✓ | ✓ | ✓ | ✓ | All |
| Stratus | C | 10% | 90% | 85% PVC/15% Polyester | 93½ (237.5) | ✓ | ✓ | ✓ | ✓ | ✓ | All |
| Tranquility | D | 5% | 95% | 26% Polyester/67% Vinyl on Polyester/ 7% Olefin | 96 (243.9) | ✓ | ✓ | ✓ | ✓ | | All |
| | | 5% | 95% | 28% Polyester/72% Vinyl on Polyester | 96 (243.9) | ✓ | ✓ | ✓ | ✓ | | 41053 41055 41056 |
| Twine | D | 5% | 95% | 27.5% Polyester/67% Vinyl on Polyester/ Polyester/ 5.5% Acrylic | 96 (243.9) | ✓ | ✓ | ✓ | | | 40241 |
| | | 5% | 95% | 26% Polyester/67% Vinyl on Polyester/ 7% Olefin | 96 (243.9) | ✓ | ✓ | ✓ | | | 40246 40247 40249 |
| | | 7% | 93% | 26.3% Polyester/67.7% Vinyl on Polyester/ Polyester/ 6% Acrylic | 96 (243.9) | ✓ | ✓ | ✓ | | | 40210 |
| | | 7% | 93% | 28% Polyester/72% Vinyl on Polyester | 96 (243.9) | ✓ | ✓ | ✓ | | | 40248 |
| Wicker | D | 5% | 95% | 26% Polyester/67% Vinyl on Polyester/ 7% Olefin | 96 (243.9) | ✓ | ✓ | ✓ | ✓ | | All |
| | | 5% | 95% | 28% Polyester/72% Vinyl on Polyester | 96 (243.9) | ✓ | ✓ | ✓ | ✓ | | 41010 |

Features

Fabric Recommendations

Order all shades for the same room at the same time to ensure color consistency and minimize dye lot variation. When displaying multiple shades in the same room, we recommend all shades be ordered with the same fabric orientation for a consistent look.

Fabric Disclaimers

Due to the nature of the weaving process, some imperfections in the weave is normal. Roll direction cannot be reversed after a shade is ordered. Fabric appearance can vary based on changing light conditions in the room.

Fabric Width

The fabric width is narrower than the Finished Shade Width of the tube and its components.

Light Gap

| Control Type | Light Gap Per Side inches (cm) |
|------------------------------------|-----------------------------------|
| Continuous-Loop | ½ (1.3) – ⅜ (2.1) |
| Continuous-Loop with Cassette | ½ (1.3) – 1 (2.6) |
| Dual Continuous-Loop | ⅝ (1.5) – ⅞ (1.7) |
| Dual Continuous-Loop with Cassette | ⅝ (1.5) – ⅞ (2.3) |
| Cordless | ⅜ (1.0) – ¼ (2.0) |
| Cordless with Cassette | ⅞ (1.1) – ⅜ (2.1) |
| Smart Pull | ⅝ (1.5) – ⅜ (2.4) |
| Smart Pull with Cassette | ⅝ (1.6) – 1 (2.6) |
| Motorized | ½ (1.3) – ⅞ (2.7) |
| Motorized with Cassette | ½ (1.3) – 1 ⅜ (2.9) |
| Dual Motorized | ⅝ (1.5) – ⅜ (2.1) |
| Dual Motorized with Cassette | ⅝ (1.5) – ⅜ (2.4) |

Fabric Certifications

GREENGUARD Indoor Air Quality Certified® Fabrics: Many Graber fabrics have been certified by GREENGUARD Environmental Institute (GEI) to be low-chemical and particle emitting fabrics, which provides a healthier indoor air quality. The process used for certification complies with established indoor air quality standards and is performed by a third party lab. Please see graberblinds.com for more information.

greenguard.org



Large Window Sizing

Fabrics can be turned 90° clockwise (width for height) to accommodate wider windows. In these cases some solar fabrics can be seamed for longer heights. Fabrics turned width for height (referred to as railroaded) may curl along the edge. This is not a defect in the product.

Seams may be added to solar fabrics to accommodate long shade requirements. Seams will be placed as close to the tube as possible; seam location is determined by the manufacturer. Seams may be visible when the shade is fully extended. Seaming is not available for Cordless or Smart Pull Shades.

Pattern Alignment

Exact alignment of the fabric pattern across side-by-side shades is not possible. Vertical alignment of the shade fabric with cassettes is not possible. Fabrics with large repeat patterns are not centered on the shade.

Cleaning and Care Information

Roller shade fabrics are virtually maintenance free. If the shade is dusty, simply vacuum over it using an upholstery attachment. A dusting cloth can also be used to gently remove dust. Shades may also be gently wiped with a clean damp cloth. Allow the shade to dry completely before raising. Do **NOT** completely immerse.

Solar shade fabrics are virtually maintenance free. Only periodic vacuuming and an occasional cleaning using a mild detergent, soft brushing and thorough rinsing is required. Allow the shade to dry completely before raising. Do **NOT** completely immerse.

Oeko-Tex® Standard 100 certifies that our fabrics are free of PVC, halogen, lead, formaldehyde, allergenic dyes, pesticides, phenols, heavy metals and meets all VOC content limits.

oeko-tex.com



GREENGUARD Indoor Air Quality Certified is a registered trademark of the GREENGUARD Environmental Institute.

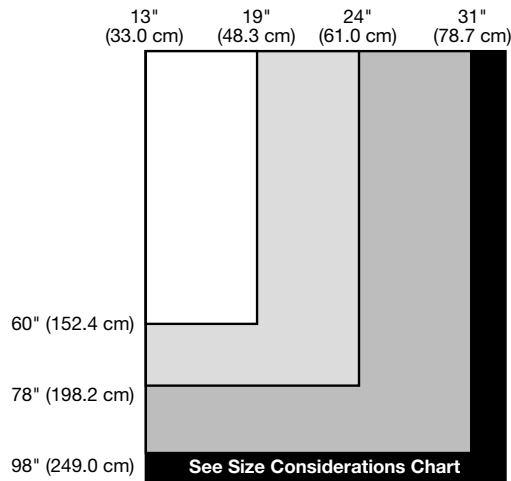
Oeko-Tex is a registered trademark of the Oeko-Tex Association.

Size Considerations

Maximum Shade Size

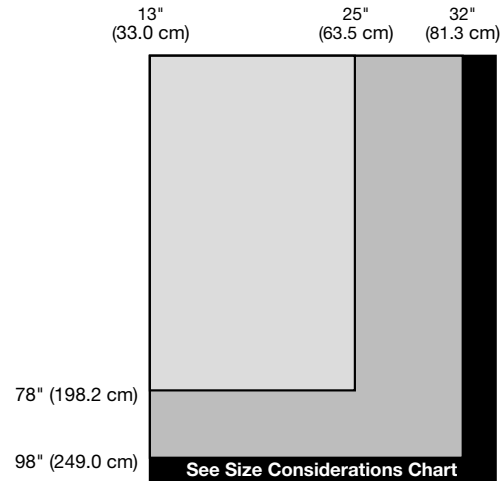
Cordless Shade Maximum Size

| If shade width is at least inches (cm) | Maximum Height of Shade inches (cm) |
|--|--|
| 13 (33.0) but less than or equal to 19 (48.3) | 60 (152.4) |
| 19½ (48.6) but less than or equal to 24 | 78 (198.2) |
| 24¾ (61.3) but less than or equal to 31 (78.7) | 98 (249.0) |
| For shades greater than 31" (78.7cm), see Size Considerations charts | |



Smart Pull Shade Maximum Size

| If shade width is at least inches (cm) | Maximum Height of Shade inches (cm) |
|--|--|
| 13 (33.0) but less than or equal to 25 (63.5) | 78 (198.2) |
| 25½ (63.8) but less than or equal to 32 (81.3) | 98 (249.0) |
| For shades greater than 32" (81.3cm), see Size Considerations charts | |



Follow these easy steps to determine Maximum Shade Size and valance size from the Maximum Shade Size Tables:

1. Determine your fabric style, shade size, control type and cassette valance (or no cassette valance) requirement.
2. Find the fabric in the first column.
3. Follow the fabric row to the appropriate control type section (Continuous-loop, Dual Shade, Motorized Lift, Cordless, or Smart Pull).
4. Determine if your shade size is within the Normal Fabric Orientation size range.
5. Identify the appropriate size cassette valance or Square-corner Valance for your shade size.
6. If your shade size is larger than either the maximum width or height range, your fabric may be able to be turned width for height for larger shades. Use the Fabric Turned Width for Height Tables to determine this maximum size.

Example 1: Determine the maximum allowable shade size and cassette valance for normal orientation shades. The example shade is 72" (182.9 cm) x 100" (254.1 cm), Tranquility fabric, Cordless control type, with cassette valance.

1. Find Tranquility in the first column.
2. Follow the Tranquility fabric row to the Cordless section.
3. The maximum width and maximum height available for this configuration is 78" (198.2 cm) x 120" (304.8 cm). Note both width and height must be less than the maximum width and height segment to fit the normal shade orientation.
4. Follow this segment to the top of the table. This segment is within the Medium Cassette Valance size, indicating that the smallest segment cassette valance size available for this shade is a medium size cassette valance.

Example 2: First determine motorization type. For this example, we are using 12V. Determine the maximum allowable shade size and cassette for a Motorized shade. The example shade is 79" (200 cm) x 80" (203 cm), Bamboo fabric, Motorized control type with a cassette valance. First, determine if the shade size is available with the requested fabric and control type.

1. Find Bamboo in the first column.
2. Follow the Bamboo fabric row to the Motorized section.
3. The maximum width and maximum height available for this configuration is 80" (203 cm) x 121" (307.4 cm). The 79" (200 cm) x 80" (203 cm) size does not exceed the Motorized segment.
4. The 79" (200 cm) x 80" (203 cm) size does not exceed either the medium or large cassette segments. The smallest cassette valance size available for this shade is the medium cassette valance.

Dual Shades

The maximum size for Dual Shades is found using the Dual Shade column. Because two shades must fit into a single cassette valance, the Dual Shade requires the large cassette valance. Small and medium cassette valances are not available for Dual Shades.

Recommendation: For a consistent look in a single room, we recommend the same size cassette valance be used for every shade. Use the largest shade to determine the smallest available cassette valance size for that room. For example, if the largest shade in the room requires a medium cassette valance, then it is recommended all shades in the room use a medium cassette valance. The cassette valance size can be specified during ordering.

Size Considerations

This table provides the Maximum Shade Size available by fabric, control type, and valance style. Cassette Valance and Square-corner Valance are options for Continuous-loop, Cordless, and Smart Pull. If your shade size is larger than the maximum width, your fabric may be able to be turned width for height for larger shades. Use the Fabric Turned Width for Height Table to determine this maximum size.

Minimum Shade Size

For all fabrics and lift options:

Minimum shade width and height: 13" (33.0 cm)

Continuous-Loop Maximum Shade Size

| Valance Type | Normal Fabric Orientation | | | | | | | | | | | | Fabric Turned Width For Height (Railroaded) | | | | | | | | | | | | | | | | | | | |
|--|---------------------------|----------------------|-----------------------|----------------------|-----------------------|----------------------|--|----------------------|-----------------------|-----------------------|-----------------------|----------------------|---|----------------------|-----------------------|----------------------|-----------------------|----------------------|-----------------------|----------------------|-----------------------|--|-----------------------|----------------------|-----------------------|----------------------|-----------------------|------------------------|-----------------------|-------------|-------------|-------------|
| | Small Cassette | | | Medium Cassette | | | Large Cassette/ Square-corner Valance/ No Cassette/ No Valance | | | 3" (7.7 cm) Fascia | | | 4" (10.2 cm) Fascia | | | Small Cassette | | | Medium Cassette | | | Large Cassette/ Square-corner Valance/ No Cassette/ No Valance | | | 3" (7.7 cm) Fascia | | | 4" (10.2 cm) Fascia | | | | |
| | Fabric | Width inches (cm) | Height inches (cm) | Width inches (cm) | Height inches (cm) | Width inches (cm) | Height inches (cm) | Width inches (cm) | Height inches (cm) | Width inches (cm) | Height inches (cm) | Width inches (cm) | Height inches (cm) | Width inches (cm) | Height inches (cm) | Width inches (cm) | Height inches (cm) | Width inches (cm) | Height inches (cm) | Width inches (cm) | Height inches (cm) | Width inches (cm) | Height inches (cm) | Width inches (cm) | Height inches (cm) | Width inches (cm) | Height inches (cm) | Width inches (cm) | Height inches (cm) | | | |
| A100 | 72 (182.9) | 85 (215.9) | 96 (243.9) | 130 (330.2) | 97 (246.4) | 144 (365.8) | 88 (223.6) | 98 (249) | 97 (246.4) | 144 (365.8) | 88 (223.6) | 98 (249) | 97 (246.4) | 144 (365.8) | 72 (182.9) | 85 (215.9) | 96 (243.9) | 130 (330.2) | 97 (246.4) | 144 (365.8) | 72 (182.9) | 85 (215.9) | 96 (243.9) | 130 (330.2) | 97 (246.4) | 144 (365.8) | 72 (182.9) | 85 (215.9) | 96 (243.9) | 130 (330.2) | 97 (246.4) | 144 (365.8) |
| A300 | 60 (152.4) | 111 (282) | 95 (241.3) | 124 (315) | 96 (243.9) | 144 (365.8) | 71 (180.4) | 112 (284.5) | 96 (243.9) | 144 (365.8) | 71 (180.4) | 112 (284.5) | 96 (243.9) | 144 (365.8) | 60 (152.4) | 111 (282) | 95 (241.3) | 124 (315) | 96 (243.9) | 144 (365.8) | 60 (152.4) | 111 (282) | 95 (241.3) | 124 (315) | 96 (243.9) | 144 (365.8) | 60 (152.4) | 111 (282) | 95 (241.3) | 124 (315) | 96 (243.9) | 144 (365.8) |
| A500 | 74 (188) | 88 (223.6) | 96 (243.9) | 136 (345.5) | 96 (243.9) | 144 (365.8) | 96 (243.9) | 94 (238.8) | 96 (243.9) | 144 (365.8) | 96 (243.9) | 94 (238.8) | 96 (243.9) | 144 (365.8) | 74 (188) | 88 (223.6) | 96 (243.9) | 136 (345.5) | 96 (243.9) | 144 (365.8) | 74 (188) | 88 (223.6) | 96 (243.9) | 136 (345.5) | 96 (243.9) | 144 (365.8) | 74 (188) | 88 (223.6) | 96 (243.9) | 136 (345.5) | 96 (243.9) | 144 (365.8) |
| Allure | 93 (236.3) | 121 (307.4) | 108 (274.4) | 144 (365.8) | 108 (274.4) | 144 (365.8) | 108 (274.4) | 144 (365.8) | 108 (274.4) | 144 (365.8) | 108 (274.4) | 144 (365.8) | 108 (274.4) | 144 (365.8) | 93 (236.3) | 121 (307.4) | 108 (274.4) | 144 (365.8) | 108 (274.4) | 144 (365.8) | 93 (236.3) | 121 (307.4) | 108 (274.4) | 144 (365.8) | 108 (274.4) | 144 (365.8) | 93 (236.3) | 121 (307.4) | 108 (274.4) | 144 (365.8) | 108 (274.4) | 144 (365.8) |
| Aura (Aspen, Tweed) | 75 (190.5) | 72 (182.9) | 82 (206.3) | 111 (282) | 97 (246.4) | 144 (365.8) | 86 (218.5) | 86 (218.5) | 97 (246.4) | 144 (365.8) | 86 (218.5) | 86 (218.5) | 97 (246.4) | 144 (365.8) | 75 (190.5) | 72 (182.9) | 82 (206.3) | 111 (282) | 97 (246.4) | 144 (365.8) | 75 (190.5) | 72 (182.9) | 82 (206.3) | 111 (282) | 97 (246.4) | 144 (365.8) | 75 (190.5) | 72 (182.9) | 82 (206.3) | 111 (282) | 97 (246.4) | 144 (365.8) |
| Aura (Poetry, Sable) | 73 (185.5) | 72 (182.9) | 79 (200.7) | 111 (282) | 97 (246.4) | 144 (365.8) | 83 (210.9) | 86 (218.5) | 97 (246.4) | 144 (365.8) | 83 (210.9) | 86 (218.5) | 97 (246.4) | 144 (365.8) | 73 (185.5) | 72 (182.9) | 79 (200.7) | 111 (282) | 97 (246.4) | 144 (365.8) | 73 (185.5) | 72 (182.9) | 79 (200.7) | 111 (282) | 97 (246.4) | 144 (365.8) | 73 (185.5) | 72 (182.9) | 79 (200.7) | 111 (282) | 97 (246.4) | 144 (365.8) |
| B 500 | 61 (155) | 87 (221) | 97 (246.4) | 90 (228.6) | 97 (246.4) | 144 (365.8) | 71 (180.4) | 95 (241.3) | 97 (246.4) | 144 (365.8) | 71 (180.4) | 95 (241.3) | 97 (246.4) | 144 (365.8) | 61 (155) | 87 (221) | 97 (246.4) | 90 (228.6) | 97 (246.4) | 144 (365.8) | 61 (155) | 87 (221) | 97 (246.4) | 90 (228.6) | 97 (246.4) | 144 (365.8) | 61 (155) | 87 (221) | 97 (246.4) | 90 (228.6) | 97 (246.4) | 144 (365.8) |
| B1000 | 71 (180.4) | 77 (195.6) | 76 (193.1) | 123 (312.5) | 97 (246.4) | 144 (365.8) | 80 (203.2) | 97 (246.4) | 97 (246.4) | 144 (365.8) | 80 (203.2) | 97 (246.4) | 97 (246.4) | 144 (365.8) | 71 (180.4) | 77 (195.6) | 76 (193.1) | 123 (312.5) | 97 (246.4) | 144 (365.8) | 71 (180.4) | 77 (195.6) | 76 (193.1) | 123 (312.5) | 97 (246.4) | 144 (365.8) | 71 (180.4) | 77 (195.6) | 76 (193.1) | 123 (312.5) | 97 (246.4) | 144 (365.8) |
| Bamboo | 71 (180.4) | 87 (221) | 79 (200.7) | 123 (312.5) | 97 (246.4) | 144 (365.8) | 82 (208.3) | 103 (261.7) | 97 (246.4) | 144 (365.8) | 82 (208.3) | 103 (261.7) | 97 (246.4) | 144 (365.8) | 71 (180.4) | 87 (221) | 79 (200.7) | 123 (312.5) | 97 (246.4) | 144 (365.8) | 71 (180.4) | 87 (221) | 79 (200.7) | 123 (312.5) | 97 (246.4) | 144 (365.8) | 71 (180.4) | 87 (221) | 79 (200.7) | 123 (312.5) | 97 (246.4) | 144 (365.8) |
| Brilliance | 76 (193.1) | 82 (208.3) | 78 (198.2) | 125 (317.5) | 78 (198.2) | 144 (365.8) | 78 (198.2) | 97 (246.4) | 78 (198.2) | 144 (365.8) | 78 (198.2) | 97 (246.4) | 78 (198.2) | 144 (365.8) | 76 (193.1) | 82 (208.3) | 78 (198.2) | 125 (317.5) | 78 (198.2) | 144 (365.8) | 76 (193.1) | 82 (208.3) | 78 (198.2) | 125 (317.5) | 78 (198.2) | 144 (365.8) | 76 (193.1) | 82 (208.3) | 78 (198.2) | 125 (317.5) | 78 (198.2) | 144 (365.8) |
| Cambridge LF 76" (193.1cm) (Ivory, Rainstorm) | 77 (195.6) | 144 (365.8) | 77 (195.6) | 144 (365.8) | 77 (195.6) | 144 (365.8) | 77 (195.6) | 144 (365.8) | 77 (195.6) | 144 (365.8) | 77 (195.6) | 144 (365.8) | 77 (195.6) | 144 (365.8) | 77 (195.6) | 144 (365.8) | 77 (195.6) | 144 (365.8) | 77 (195.6) | 144 (365.8) | 77 (195.6) | 144 (365.8) | 77 (195.6) | 144 (365.8) | 77 (195.6) | 144 (365.8) | 77 (195.6) | 144 (365.8) | 77 (195.6) | 144 (365.8) | 77 (195.6) | 144 (365.8) |
| Cambridge LF 92" (233.7cm) (Clay, Cobblestone, French Toast, Inkwell, Off White, White) | 92 (233.7) | 144 (365.8) | 92 (233.7) | 144 (365.8) | 92 (233.7) | 144 (365.8) | 92 (233.7) | 144 (365.8) | 92 (233.7) | 144 (365.8) | 92 (233.7) | 144 (365.8) | 92 (233.7) | 144 (365.8) | 92 (233.7) | 144 (365.8) | 92 (233.7) | 144 (365.8) | 92 (233.7) | 144 (365.8) | 92 (233.7) | 144 (365.8) | 92 (233.7) | 144 (365.8) | 92 (233.7) | 144 (365.8) | 92 (233.7) | 144 (365.8) | 92 (233.7) | 144 (365.8) | 92 (233.7) | 144 (365.8) |
| Cambridge RD 76" (193.1cm) (Ivory, Rainstorm) | 76 (193.1) | 108 (274.4) | 77 (195.6) | 144 (365.8) | 77 (195.6) | 144 (365.8) | 77 (195.6) | 144 (365.8) | 77 (195.6) | 144 (365.8) | 77 (195.6) | 144 (365.8) | 77 (195.6) | 144 (365.8) | 76 (193.1) | 108 (274.4) | 77 (195.6) | 144 (365.8) | 77 (195.6) | 144 (365.8) | 76 (193.1) | 108 (274.4) | 77 (195.6) | 144 (365.8) | 77 (195.6) | 144 (365.8) | 76 (193.1) | 108 (274.4) | 77 (195.6) | 144 (365.8) | 77 (195.6) | 144 (365.8) |
| Cambridge RD 92" (233.7cm) (Clay, Cobblestone, French Toast, Inkwell, Off White, White) | 76 (193.1) | 108 (274.4) | 92 (233.7) | 144 (365.8) | 92 (233.7) | 144 (365.8) | 92 (233.7) | 128 (325.2) | 92 (233.7) | 144 (365.8) | 92 (233.7) | 128 (325.2) | 92 (233.7) | 144 (365.8) | 76 (193.1) | 108 (274.4) | 92 (233.7) | 144 (365.8) | 92 (233.7) | 144 (365.8) | 76 (193.1) | 108 (274.4) | 92 (233.7) | 144 (365.8) | 92 (233.7) | 144 (365.8) | 76 (193.1) | 108 (274.4) | 92 (233.7) | 144 (365.8) | 92 (233.7) | 144 (365.8) |
| Capri | 71 (180.4) | 113 (287.1) | 71 (180.4) | 144 (365.8) | 71 (180.4) | 144 (365.8) | 71 (180.4) | 134 (340.4) | 71 (180.4) | 144 (365.8) | 71 (180.4) | 134 (340.4) | 71 (180.4) | 144 (365.8) | 71 (180.4) | 113 (287.1) | 71 (180.4) | 144 (365.8) | 71 (180.4) | 144 (365.8) | 71 (180.4) | 113 (287.1) | 71 (180.4) | 144 (365.8) | 71 (180.4) | 144 (365.8) | 71 (180.4) | 113 (287.1) | 71 (180.4) | 144 (365.8) | 71 (180.4) | 144 (365.8) |
| Cirrus | 71 (180.4) | 103 (261.7) | 97 (246.4) | 130 (330.2) | 97 (246.4) | 144 (365.8) | 81 (205.6) | 123 (312.5) | 97 (246.4) | 144 (365.8) | 81 (205.6) | 123 (312.5) | 97 (246.4) | 144 (365.8) | 71 (180.4) | 103 (261.7) | 97 (246.4) | 130 (330.2) | 97 (246.4) | 144 (365.8) | 71 (180.4) | 103 (261.7) | 97 (246.4) | 130 (330.2) | 97 (246.4) | 144 (365.8) | 71 (180.4) | 103 (261.7) | 97 (246.4) | 130 (330.2) | 97 (246.4) | 144 (365.8) |
| Contour (Alpine) | 74 (188) | 74 (188) | 80 (203.2) | 114 (289.6) | 97 (246.4) | 144 (365.8) | 84 (213.4) | 88 (223.6) | 97 (246.4) | 144 (365.8) | 84 (213.4) | 88 (223.6) | 97 (246.4) | 144 (365.8) | 74 (188) | 74 (188) | 80 (203.2) | 114 (289.6) | 97 (246.4) | 144 (365.8) | 74 (188) | 74 (188) | 80 (203.2) | 114 (289.6) | 97 (246.4) | 144 (365.8) | 74 (188) | 74 (188) | 80 (203.2) | 114 (289.6) | 97 (246.4) | 144 (365.8) |
| Contour (Essence, Maple, Natural, Smoke, Smudge) | 76 (193.1) | 61 (155) | 83 (210.9) | 94 (238.8) | 97 (246.4) | 144 (365.8) | 87 (221) | 73 (185.5) | 97 (246.4) | 144 (365.8) | 87 (221) | 73 (185.5) | 97 (246.4) | 144 (365.8) | 76 (193.1) | 61 (155) | 83 (210.9) | 94 (238.8) | 97 (246.4) | 144 (365.8) | 76 (193.1) | 61 (155) | 83 (210.9) | 94 (238.8) | 97 (246.4) | 144 (365.8) | 76 (193.1) | 61 (155) | 83 (210.9) | 94 (238.8) | 97 (246.4) | 144 (365.8) |
| Crossweave | 72 (182.9) | 129 (327.7) | 72 (182.9) | 144 (365.8) | 72 (182.9) | 144 (365.8) | 72 (182.9) | 144 (365.8) | 72 (182.9) | 144 (365.8) | 72 (182.9) | 144 (365.8) | 72 (182.9) | 144 (365.8) | 72 (182.9) | 129 (327.7) | 72 (182.9) | 144 (365.8) | 72 (182.9) | 144 (365.8) | 72 (182.9) | 129 (327.7) | 72 (182.9) | 144 (365.8) | 72 (182.9) | 144 (365.8) | 72 (182.9) | 129 (327.7) | 72 (182.9) | 144 (365.8) | 72 (182.9) | 144 (365.8) |
| Crystalline | 77 (195.6) | 144 (365.8) | 77 (195.6) | 144 (365.8) | 77 (195.6) | 144 (365.8) | 77 (195.6) | 144 (365.8) | 77 (195.6) | 144 (365.8) | 77 (195.6) | 144 (365.8) | 77 (195.6) | 144 (365.8) | 77 (195.6) | 144 (365.8) | 77 (195.6) | 144 (365.8) | 77 (195.6) | 144 (365.8) | 77 (195.6) | 144 (365.8) | 77 (195.6) | 144 (365.8) | 77 (195.6) | 144 (365.8) | 77 (195.6) | 144 (365.8) | 77 (195.6) | 144 (365.8) | 77 (195.6) | 144 (365.8) |
| Crystalline Essence | 77 (195.6) | 144 (365.8) | 77 (195.6) | 144 (365.8) | 77 (195.6) | 144 (365.8) | 77 (195.6) | 144 (365.8) | 77 (195.6) | 144 (365.8) | 77 (195.6) | 144 (365.8) | 77 (195.6) | 144 (365.8) | 77 (195.6) | 144 (365.8) | 77 (195.6) | 144 (365.8) | 77 (195.6) | 144 (365.8) | 77 (195.6) | 144 (365.8) | 77 (195.6) | 144 (365.8) | 77 (195.6) | 144 (365.8) | 77 (195.6) | 144 (365.8) | 77 (195.6) | 144 (365.8) | 77 (195.6) | 144 (365.8) |
| Cumulus | 73 (185.5) | 87 (221) | 80 (203.2) | 127 (322.6) | 96 (243.9) | 144 (365.8) | 83 (210.9) | 103 (261.7) | 96 (243.9) | 144 (365.8) | 83 (210.9) | 103 (261.7) | 96 (243.9) | 144 (365.8) | 73 (185.5) | 87 (221) | 80 (203.2) | 127 (322.6) | 96 (243.9) | 144 (365.8) | 73 (185.5) | 87 (221) | 80 (203.2) | 127 (322.6) | 96 (243.9) | 144 (365.8) | 73 (185.5) | 87 (221) | 80 (203.2) | 127 (322.6) | 96 (243.9) | 144 (365.8) |

Due to continuous manufacturing improvements, minimums and maximums are subject to change. Please call customer service for up to date size considerations.

Seams may be added to fabrics to accommodate long shade requirements. See Shade Features charts for a list of fabrics that can be seamed. Seams will be placed as close to the tube as possible, seam location is not selectable. They are visible when the shade is fully extended. This is not available for Cordless or Smart Pull Shades.

Size Considerations

This table provides the Maximum Shade Size available by fabric, control type, and valance style. Scallops will decrease the maximum height by 6¼" on roller fabrics only. Only the large cassette valance is available for the Dual Shade. Small and medium cassette valances are not available. This is not a defect in the product.

Dual Shades Maximum Shade Size

| Valance Type | Normal Fabric Orientation | | | | | | | | | | | | Fabric Turned Width For Height (Railroaded) | | | | | | | | | | | |
|---|--|-----------------|----------------------------------|-----------------|--------------------------|-----------------|----------------------------------|-----------------|--------------------------|-----------------|--|-----------------|---|-----------------|----------------------------------|-----------------|--------------------------|-----------------|----------------------------------|-----------------|--------------------------|-----------------|--|--|
| | Continuous-Loop No Cassette/No Valance | | 12V Motor No Cassette/No Valance | | 12V Motor Large Cassette | | 24V Motor No Cassette/No Valance | | 24V Motor Large Cassette | | Continuous-Loop No Cassette/No Valance | | Continuous-Loop Large Cassette | | 12V Motor No Cassette/No Valance | | 12V Motor Large Cassette | | 24V Motor No Cassette/No Valance | | 24V Motor Large Cassette | | | |
| | Width (inches) | Height (inches) | Width (inches) | Height (inches) | Width (inches) | Height (inches) | Width (inches) | Height (inches) | Width (inches) | Height (inches) | Width (inches) | Height (inches) | Width (inches) | Height (inches) | Width (inches) | Height (inches) | Width (inches) | Height (inches) | Width (inches) | Height (inches) | Width (inches) | Height (inches) | | |
| A100 | 73 (185.5) | 107 (271.8) | 73 (185.5) | 107 (271.8) | 73 (185.5) | 107 (271.8) | 73 (185.5) | 107 (271.8) | 73 (185.5) | 107 (271.8) | 73 (185.5) | 107 (271.8) | 73 (185.5) | 107 (271.8) | 73 (185.5) | 107 (271.8) | 73 (185.5) | 107 (271.8) | 73 (185.5) | 107 (271.8) | 73 (185.5) | 107 (271.8) | | |
| A300 | 74 (188) | 92 (233.7) | 74 (188) | 92 (233.7) | 74 (188) | 92 (233.7) | 74 (188) | 92 (233.7) | 74 (188) | 92 (233.7) | 74 (188) | 92 (233.7) | 74 (188) | 92 (233.7) | 74 (188) | 92 (233.7) | 74 (188) | 92 (233.7) | 74 (188) | 92 (233.7) | 74 (188) | 92 (233.7) | | |
| A500 | 75 (190.5) | 102 (259.1) | 75 (190.5) | 102 (259.1) | 75 (190.5) | 102 (259.1) | 75 (190.5) | 102 (259.1) | 75 (190.5) | 102 (259.1) | 75 (190.5) | 102 (259.1) | 75 (190.5) | 102 (259.1) | 75 (190.5) | 102 (259.1) | 75 (190.5) | 102 (259.1) | 75 (190.5) | 102 (259.1) | 75 (190.5) | 102 (259.1) | | |
| Allure | 93 (236.3) | 121 (307.4) | 93 (236.3) | 121 (307.4) | 93 (236.3) | 121 (307.4) | 93 (236.3) | 121 (307.4) | 93 (236.3) | 121 (307.4) | 93 (236.3) | 121 (307.4) | 93 (236.3) | 121 (307.4) | 93 (236.3) | 121 (307.4) | 93 (236.3) | 121 (307.4) | 93 (236.3) | 121 (307.4) | 93 (236.3) | 121 (307.4) | | |
| Aura (Aspen, Tweed) | 75 (190.5) | 70 (177.8) | 75 (190.5) | 70 (177.8) | 75 (190.5) | 70 (177.8) | 75 (190.5) | 70 (177.8) | 75 (190.5) | 70 (177.8) | 75 (190.5) | 70 (177.8) | 75 (190.5) | 70 (177.8) | 75 (190.5) | 70 (177.8) | 75 (190.5) | 70 (177.8) | 75 (190.5) | 70 (177.8) | 75 (190.5) | 70 (177.8) | | |
| Aura (Poetry, Sable) | 73 (185.5) | 70 (177.8) | 73 (185.5) | 70 (177.8) | 73 (185.5) | 70 (177.8) | 73 (185.5) | 70 (177.8) | 73 (185.5) | 70 (177.8) | 73 (185.5) | 70 (177.8) | 73 (185.5) | 70 (177.8) | 73 (185.5) | 70 (177.8) | 73 (185.5) | 70 (177.8) | 73 (185.5) | 70 (177.8) | 73 (185.5) | 70 (177.8) | | |
| B 500 | 61 (155) | 84 (213.4) | 61 (155) | 84 (213.4) | 61 (155) | 84 (213.4) | 61 (155) | 84 (213.4) | 61 (155) | 84 (213.4) | 61 (155) | 84 (213.4) | 61 (155) | 84 (213.4) | 61 (155) | 84 (213.4) | 61 (155) | 84 (213.4) | 61 (155) | 84 (213.4) | 61 (155) | 84 (213.4) | | |
| B1000 | 71 (180.4) | 77 (195.6) | 71 (180.4) | 77 (195.6) | 71 (180.4) | 77 (195.6) | 71 (180.4) | 77 (195.6) | 71 (180.4) | 77 (195.6) | 71 (180.4) | 77 (195.6) | 71 (180.4) | 77 (195.6) | 71 (180.4) | 77 (195.6) | 71 (180.4) | 77 (195.6) | 71 (180.4) | 77 (195.6) | 71 (180.4) | 77 (195.6) | | |
| Bamboo | 72 (182.9) | 84 (213.4) | 73 (185.5) | 76 (193.1) | 72 (182.9) | 84 (213.4) | 73 (185.5) | 76 (193.1) | 72 (182.9) | 84 (213.4) | 73 (185.5) | 76 (193.1) | 72 (182.9) | 84 (213.4) | 73 (185.5) | 76 (193.1) | 72 (182.9) | 84 (213.4) | 73 (185.5) | 76 (193.1) | 72 (182.9) | 84 (213.4) | | |
| Brightness | 77 (195.6) | 79 (200.7) | 77 (195.6) | 79 (200.7) | 77 (195.6) | 79 (200.7) | 77 (195.6) | 79 (200.7) | 77 (195.6) | 79 (200.7) | 77 (195.6) | 79 (200.7) | 77 (195.6) | 79 (200.7) | 77 (195.6) | 79 (200.7) | 77 (195.6) | 79 (200.7) | 77 (195.6) | 79 (200.7) | 77 (195.6) | 79 (200.7) | | |
| Cambridge LF 76" (193.1cm) (Ivory, Rainstorm) | 77 (195.6) | 144 (365.8) | 77 (195.6) | 144 (365.8) | 77 (195.6) | 144 (365.8) | 77 (195.6) | 144 (365.8) | 77 (195.6) | 144 (365.8) | 77 (195.6) | 144 (365.8) | 77 (195.6) | 144 (365.8) | 77 (195.6) | 144 (365.8) | 77 (195.6) | 144 (365.8) | 77 (195.6) | 144 (365.8) | 77 (195.6) | 144 (365.8) | | |
| Cambridge LF 92" (233.7cm) (Clay, Cobblestone, French Toast, Inkwell, Off White, White) | 92 (233.7) | 144 (365.8) | 92 (233.7) | 144 (365.8) | 92 (233.7) | 144 (365.8) | 92 (233.7) | 144 (365.8) | 92 (233.7) | 144 (365.8) | 92 (233.7) | 144 (365.8) | 92 (233.7) | 144 (365.8) | 92 (233.7) | 144 (365.8) | 92 (233.7) | 144 (365.8) | 92 (233.7) | 144 (365.8) | 92 (233.7) | 144 (365.8) | | |
| Cambridge RD 76" (193.1cm) (Ivory, Rainstorm) | 77 (195.6) | 137 (348) | 76 (193.1) | 108 (274.4) | 77 (195.6) | 142 (360.7) | 77 (195.6) | 142 (360.7) | 77 (195.6) | 142 (360.7) | 77 (195.6) | 142 (360.7) | 77 (195.6) | 142 (360.7) | 77 (195.6) | 142 (360.7) | 77 (195.6) | 142 (360.7) | 77 (195.6) | 142 (360.7) | 77 (195.6) | 142 (360.7) | | |
| Cambridge RD 92" (233.7cm) (Clay, Cobblestone, French Toast, Inkwell, Off White, White) | 82 (208.3) | 127 (322.6) | 76 (193.1) | 108 (274.4) | 84 (213.4) | 135 (342.9) | 85 (215.9) | 126 (320.1) | 84 (213.4) | 135 (342.9) | 85 (215.9) | 126 (320.1) | 84 (213.4) | 135 (342.9) | 85 (215.9) | 126 (320.1) | 84 (213.4) | 135 (342.9) | 85 (215.9) | 126 (320.1) | 84 (213.4) | 135 (342.9) | | |
| Capri | 71 (180.4) | 110 (279.4) | 71 (180.4) | 99 (251.5) | 71 (180.4) | 110 (279.4) | 71 (180.4) | 99 (251.5) | 71 (180.4) | 99 (251.5) | 71 (180.4) | 99 (251.5) | 71 (180.4) | 99 (251.5) | 71 (180.4) | 99 (251.5) | 71 (180.4) | 99 (251.5) | 71 (180.4) | 99 (251.5) | 71 (180.4) | 99 (251.5) | | |
| Cirrus | 80 (203.2) | 98 (249) | 71 (180.4) | 103 (261.7) | 84 (213.4) | 98 (249) | 84 (213.4) | 98 (249) | 84 (213.4) | 98 (249) | 84 (213.4) | 98 (249) | 84 (213.4) | 98 (249) | 84 (213.4) | 98 (249) | 84 (213.4) | 98 (249) | 84 (213.4) | 98 (249) | 84 (213.4) | 98 (249) | | |
| Contour (Alpine) | 74 (188) | 72 (182.9) | 76 (193.1) | 65 (165.1) | 74 (188) | 72 (182.9) | 76 (193.1) | 65 (165.1) | 74 (188) | 72 (182.9) | 76 (193.1) | 65 (165.1) | 74 (188) | 72 (182.9) | 76 (193.1) | 65 (165.1) | 74 (188) | 72 (182.9) | 76 (193.1) | 65 (165.1) | 74 (188) | 72 (182.9) | | |
| Contour (Essence, Maple, Natural, Smoke, Smudge) | 77 (195.6) | 59 (149.9) | 78 (198.2) | 53 (134.7) | 77 (195.6) | 59 (149.9) | 78 (198.2) | 53 (134.7) | 77 (195.6) | 59 (149.9) | 78 (198.2) | 53 (134.7) | 77 (195.6) | 59 (149.9) | 78 (198.2) | 53 (134.7) | 77 (195.6) | 59 (149.9) | 78 (198.2) | 53 (134.7) | 77 (195.6) | 59 (149.9) | | |
| Crossweave | 72 (182.9) | 125 (317.5) | 72 (182.9) | 114 (289.6) | 72 (182.9) | 125 (317.5) | 72 (182.9) | 114 (289.6) | 72 (182.9) | 125 (317.5) | 72 (182.9) | 114 (289.6) | 72 (182.9) | 125 (317.5) | 72 (182.9) | 114 (289.6) | 72 (182.9) | 125 (317.5) | 72 (182.9) | 114 (289.6) | 72 (182.9) | 125 (317.5) | | |
| Crystalline | 77 (195.6) | 144 (365.8) | 77 (195.6) | 144 (365.8) | 77 (195.6) | 144 (365.8) | 77 (195.6) | 144 (365.8) | 77 (195.6) | 144 (365.8) | 77 (195.6) | 144 (365.8) | 77 (195.6) | 144 (365.8) | 77 (195.6) | 144 (365.8) | 77 (195.6) | 144 (365.8) | 77 (195.6) | 144 (365.8) | 77 (195.6) | 144 (365.8) | | |
| Crystalline Essence | 77 (195.6) | 144 (365.8) | 77 (195.6) | 144 (365.8) | 77 (195.6) | 144 (365.8) | 77 (195.6) | 144 (365.8) | 77 (195.6) | 144 (365.8) | 77 (195.6) | 144 (365.8) | 77 (195.6) | 144 (365.8) | 77 (195.6) | 144 (365.8) | 77 (195.6) | 144 (365.8) | 77 (195.6) | 144 (365.8) | 77 (195.6) | 144 (365.8) | | |
| Cumulus | 73 (185.5) | 84 (213.4) | 74 (188) | 76 (193.1) | 73 (185.5) | 84 (213.4) | 74 (188) | 76 (193.1) | 73 (185.5) | 84 (213.4) | 74 (188) | 76 (193.1) | 73 (185.5) | 84 (213.4) | 74 (188) | 76 (193.1) | 73 (185.5) | 84 (213.4) | 74 (188) | 76 (193.1) | 73 (185.5) | 84 (213.4) | | |
| Debut | 85 (215.9) | 126 (320.1) | 85 (215.9) | 112 (284.5) | 85 (215.9) | 126 (320.1) | 85 (215.9) | 112 (284.5) | 85 (215.9) | 126 (320.1) | 85 (215.9) | 112 (284.5) | 85 (215.9) | 126 (320.1) | 85 (215.9) | 112 (284.5) | 85 (215.9) | 126 (320.1) | 85 (215.9) | 112 (284.5) | 85 (215.9) | 112 (284.5) | | |
| E Screen 1% | 74 (188) | 109 (276.9) | 71 (180.4) | 101 (256.6) | 81 (205.8) | 119 (302.3) | 83 (210.9) | 106 (269.3) | 81 (205.8) | 119 (302.3) | 83 (210.9) | 106 (269.3) | 81 (205.8) | 119 (302.3) | 83 (210.9) | 106 (269.3) | 81 (205.8) | 119 (302.3) | 83 (210.9) | 106 (269.3) | 81 (205.8) | 119 (302.3) | | |
| E Screen 3% | 79 (200.7) | 108 (274.4) | 71 (180.4) | 109 (276.9) | 82 (208.3) | 119 (302.3) | 84 (213.4) | 106 (269.3) | 82 (208.3) | 119 (302.3) | 84 (213.4) | 106 (269.3) | 82 (208.3) | 119 (302.3) | 84 (213.4) | 106 (269.3) | 82 (208.3) | 119 (302.3) | 84 (213.4) | 106 (269.3) | 82 (208.3) | 119 (302.3) | | |
| Elements | 95 (241.3) | 107 (271.8) | 79 (200.7) | 119 (302.3) | 95 (241.3) | 107 (271.8) | 79 (200.7) | 119 (302.3) | 95 (241.3) | 107 (271.8) | 79 (200.7) | 119 (302.3) | 95 (241.3) | 107 (271.8) | 79 (200.7) | 119 (302.3) | 95 (241.3) | 107 (271.8) | 79 (200.7) | 119 (302.3) | 95 (241.3) | 107 (271.8) | | |
| Essential | 70 (177.8) | 120 (304.8) | 70 (177.8) | 110 (279.4) | 70 (177.8) | 144 (365.8) | 70 (177.8) | 144 (365.8) | 70 (177.8) | 144 (365.8) | 70 (177.8) | 144 (365.8) | 70 (177.8) | 144 (365.8) | 70 (177.8) | 144 (365.8) | 70 (177.8) | 144 (365.8) | 70 (177.8) | 144 (365.8) | 70 (177.8) | 144 (365.8) | | |

Due to continuous manufacturing improvements, minimums and maximums are subject to change. Please call customer service for up to date size considerations.

Seams may be added to fabrics to accommodate long shade requirements. See Shade Features charts for a list of fabrics that can be seamed. Seams will be placed as close to the tube as possible; seam location is not selectable. They are visible when the shade is fully extended. This is not available for Cordless or Smart Pull Shades.

Size Considerations

| Fabric | Dual Shades Maximum Shade Size | | | | | | | | | | | | | |
|--|--|----------------------|----------------------------------|----------------------|--------------------------|----------------------|---|----------------------|----------------------------------|----------------------|----------------------------------|----------------------|-----------------------|-------------|
| | Normal Fabric Orientation | | | | | | Fabric Turned Width For Height (Railroaded) | | | | | | | |
| | Continuous-Loop No Cassette/No Valance | | 12V Motor No Cassette/No Valance | | 24V Motor Large Cassette | | Continuous-Loop Large Cassette | | 12V Motor No Cassette/No Valance | | 24V Motor No Cassette/No Valance | | | |
| Width inches (cm) | Height inches (cm) | Width inches (cm) | Height inches (cm) | Width inches (cm) | Height inches (cm) | Width inches (cm) | Height inches (cm) | Width inches (cm) | Height inches (cm) | Width inches (cm) | Height inches (cm) | Width inches (cm) | Height inches (cm) | |
| SheerWeave® 2390 Performance Plus | 82 (208.3) | 108 (274.4) | 82 (208.3) | 129 (327.7) | 83 (210.9) | 119 (302.3) | 83 (210.9) | 119 (302.3) | 82 (208.3) | 129 (327.7) | 83 (210.9) | 119 (302.3) | 83 (210.9) | 119 (302.3) |
| SheerWeave 2410 Plus | 76 (193.1) | 100 (254) | 80 (203.2) | 121 (307.4) | 81 (205.8) | 112 (284.5) | 81 (205.8) | 112 (284.5) | 80 (203.2) | 121 (307.4) | 81 (205.8) | 112 (284.5) | 81 (205.8) | 112 (284.5) |
| SheerWeave 2500 | 73 (185.5) | 90 (228.6) | 81 (205.8) | 121 (307.4) | 83 (210.9) | 112 (284.5) | 83 (210.9) | 112 (284.5) | 81 (205.8) | 121 (307.4) | 83 (210.9) | 112 (284.5) | 83 (210.9) | 112 (284.5) |
| SheerWeave 2701 | 82 (208.3) | 95 (241.3) | 85 (215.9) | 121 (307.4) | 85 (215.9) | 121 (307.4) | 85 (215.9) | 121 (307.4) | 85 (215.9) | 121 (307.4) | 85 (215.9) | 121 (307.4) | 85 (215.9) | 121 (307.4) |
| SheerWeave 2703 | 71 (180.4) | 96 (243.9) | 71 (180.4) | 106 (269.3) | 72 (182.9) | 104 (264.2) | 72 (182.9) | 104 (264.2) | 71 (180.4) | 106 (269.3) | 72 (182.9) | 104 (264.2) | 71 (180.4) | 106 (269.3) |
| SheerWeave 2705 | 72 (182.9) | 106 (269.3) | 72 (182.9) | 106 (269.3) | 72 (182.9) | 104 (264.2) | 72 (182.9) | 104 (264.2) | 72 (182.9) | 106 (269.3) | 72 (182.9) | 104 (264.2) | 72 (182.9) | 106 (269.3) |
| SheerWeave 2710 | 73 (185.5) | 113 (287.1) | 74 (188) | 104 (264.2) | 73 (185.5) | 113 (287.1) | 74 (188) | 104 (264.2) | 73 (185.5) | 113 (287.1) | 74 (188) | 104 (264.2) | 73 (185.5) | 113 (287.1) |
| SheerWeave 3000 | 71 (180.4) | 100 (254) | 72 (182.9) | 100 (254) | 71 (180.4) | 100 (254) | 72 (182.9) | 100 (254) | 71 (180.4) | 100 (254) | 72 (182.9) | 100 (254) | 71 (180.4) | 100 (254) |
| SheerWeave 4000 | 70 (177.8) | 75 (190.5) | 71 (180.4) | 99 (251.5) | 71 (180.4) | 99 (251.5) | 71 (180.4) | 99 (251.5) | 70 (177.8) | 75 (190.5) | 71 (180.4) | 99 (251.5) | 71 (180.4) | 99 (251.5) |
| SheerWeave 4000 | 71 (180.4) | 77 (195.6) | 71 (180.4) | 99 (251.5) | 71 (180.4) | 99 (251.5) | 71 (180.4) | 99 (251.5) | 71 (180.4) | 77 (195.6) | 71 (180.4) | 99 (251.5) | 71 (180.4) | 99 (251.5) |
| SheerWeave 4400 | 69 (175.3) | 74 (188) | 70 (177.8) | 98 (249) | 69 (175.3) | 74 (188) | 70 (177.8) | 98 (249) | 69 (175.3) | 74 (188) | 70 (177.8) | 98 (249) | 69 (175.3) | 74 (188) |
| SheerWeave 4500 | 75 (190.5) | 98 (249) | 83 (210.9) | 121 (307.4) | 83 (210.9) | 121 (307.4) | 83 (210.9) | 121 (307.4) | 83 (210.9) | 121 (307.4) | 83 (210.9) | 121 (307.4) | 83 (210.9) | 121 (307.4) |
| SheerWeave 4500 | 71 (180.4) | 108 (274.4) | 71 (180.4) | 108 (274.4) | 71 (180.4) | 108 (274.4) | 71 (180.4) | 108 (274.4) | 71 (180.4) | 108 (274.4) | 71 (180.4) | 108 (274.4) | 71 (180.4) | 108 (274.4) |
| SheerWeave 4600 | 68 (172.8) | 94 (238.8) | 68 (172.8) | 94 (238.8) | 68 (172.8) | 94 (238.8) | 68 (172.8) | 94 (238.8) | 68 (172.8) | 94 (238.8) | 68 (172.8) | 94 (238.8) | 68 (172.8) | 94 (238.8) |
| SheerWeave 4650 | 71 (180.4) | 101 (256.6) | 71 (180.4) | 101 (256.6) | 71 (180.4) | 101 (256.6) | 71 (180.4) | 101 (256.6) | 71 (180.4) | 101 (256.6) | 71 (180.4) | 101 (256.6) | 71 (180.4) | 101 (256.6) |
| SheerWeave 4800 | 70 (177.8) | 76 (193.1) | 71 (180.4) | 99 (251.5) | 71 (180.4) | 99 (251.5) | 71 (180.4) | 99 (251.5) | 70 (177.8) | 76 (193.1) | 71 (180.4) | 99 (251.5) | 71 (180.4) | 99 (251.5) |
| SheerWeave 7000 | 71 (180.4) | 100 (254) | 71 (180.4) | 100 (254) | 71 (180.4) | 100 (254) | 71 (180.4) | 100 (254) | 71 (180.4) | 100 (254) | 71 (180.4) | 100 (254) | 71 (180.4) | 100 (254) |
| SheerWeave 7100 | 64 (162.6) | 104 (264.2) | 61 (155) | 87 (221) | 61 (155) | 87 (221) | 61 (155) | 87 (221) | 61 (155) | 87 (221) | 61 (155) | 87 (221) | 61 (155) | 87 (221) |
| Sheffield (Chelsea, Henley, Meadow, Windsor) | 72 (182.9) | 138 (350.6) | 72 (182.9) | 138 (350.6) | 72 (182.9) | 138 (350.6) | 72 (182.9) | 138 (350.6) | 72 (182.9) | 138 (350.6) | 72 (182.9) | 138 (350.6) | 72 (182.9) | 138 (350.6) |
| Sheffield (Eclipse, Tuscon, Weathered) | 72 (182.9) | 79 (200.7) | 72 (182.9) | 79 (200.7) | 72 (182.9) | 79 (200.7) | 72 (182.9) | 79 (200.7) | 72 (182.9) | 79 (200.7) | 72 (182.9) | 79 (200.7) | 72 (182.9) | 79 (200.7) |
| Stratus | 82 (208.3) | 101 (256.6) | 85 (215.9) | 121 (307.4) | 85 (215.9) | 121 (307.4) | 85 (215.9) | 121 (307.4) | 82 (208.3) | 101 (256.6) | 85 (215.9) | 121 (307.4) | 85 (215.9) | 121 (307.4) |
| Suburban II | 72 (182.9) | 144 (365.8) | 72 (182.9) | 144 (365.8) | 72 (182.9) | 144 (365.8) | 72 (182.9) | 144 (365.8) | 72 (182.9) | 144 (365.8) | 72 (182.9) | 144 (365.8) | 72 (182.9) | 144 (365.8) |
| Tranquility | 74 (188) | 75 (190.5) | 74 (188) | 75 (190.5) | 74 (188) | 75 (190.5) | 74 (188) | 75 (190.5) | 74 (188) | 75 (190.5) | 74 (188) | 75 (190.5) | 74 (188) | 75 (190.5) |
| Twine (Driftwood, Flagstone, Jewel, Metal, Oatmeal) | 76 (193.1) | 61 (155) | 78 (198.2) | 55 (139.7) | 76 (193.1) | 61 (155) | 78 (198.2) | 55 (139.7) | 76 (193.1) | 61 (155) | 78 (198.2) | 55 (139.7) | 76 (193.1) | 61 (155) |
| Twine (Heritage) | 75 (190.5) | 79 (200.7) | 77 (195.6) | 71 (180.4) | 75 (190.5) | 79 (200.7) | 77 (195.6) | 71 (180.4) | 75 (190.5) | 79 (200.7) | 77 (195.6) | 71 (180.4) | 75 (190.5) | 79 (200.7) |
| Wicker (Brownstone, Dawn, Shell, Terracotta, Thyme, Tiger's Eye) | 74 (188) | 76 (193.1) | 76 (193.1) | 69 (175.3) | 74 (188) | 76 (193.1) | 76 (193.1) | 69 (175.3) | 74 (188) | 76 (193.1) | 76 (193.1) | 69 (175.3) | 74 (188) | 76 (193.1) |
| Wicker (Tawny) | 73 (185.5) | 72 (182.9) | 75 (190.5) | 65 (165.1) | 75 (190.5) | 65 (165.1) | 75 (190.5) | 65 (165.1) | 73 (185.5) | 72 (182.9) | 75 (190.5) | 65 (165.1) | 75 (190.5) | 65 (165.1) |

Due to continuous manufacturing improvements, minimums and maximums are subject to change. Please call customer service for up to date size considerations.

Seams may be added to fabrics to accommodate long shade requirements. See Shade Features charts for a list of fabrics that can be seamed. Seams will be placed as close to the tube as possible; seam location is not selectable. They are visible when the shade is fully extended. This is not available for Cordless or Smart Pull Shades.

Size Considerations

This table provides the Maximum Shade Size available by fabric, control type, and valance style.

Fabric turned width for height (railroaded) may curl along its edge. This is not a defect in the product.

Scallops will decrease the maximum height by 6¼" (17.1 cm) on roller fabrics only.

Cordless and Smart Pull Maximum Shade Size

| Valance Type | Normal Fabric Orientation | | | | Fabric Turned Width For Height (Railroaded) | | | |
|--|---------------------------|--------------------|---|--------------------|---|--------------------|---|--------------------|
| | Small Cassette Valance | | Medium Cassette/ Square-corner Valance/ No Cassette/ No Valance | | Small Cassette Valance | | Medium Cassette/ Square-corner Valance/ No Cassette/ No Valance | |
| Fabric | Width inches (cm) | Height inches (cm) | Width inches (cm) | Height inches (cm) | Width inches (cm) | Height inches (cm) | Width inches (cm) | Height inches (cm) |
| A100 | 78 (198.2) | 85 (215.9) | 78 (198.2) | 120 (304.8) | 78 (198.2) | 85 (215.9) | 78 (198.2) | 87 (221) |
| A300 | 78 (198.2) | 73 (185.5) | 78 (198.2) | 120 (304.8) | 78 (198.2) | 73 (185.5) | 78 (198.2) | 87 (221) |
| A500 | 78 (198.2) | 81 (205.8) | 78 (198.2) | 120 (304.8) | 78 (198.2) | 81 (205.8) | 78 (198.2) | 87 (221) |
| Allure | 78 (198.2) | 120 (304.8) | 78 (198.2) | 120 (304.8) | 78 (198.2) | 99 (251.5) | 78 (198.2) | 99 (251.5) |
| Aura (Aspen, Tweed) | 78 (198.2) | 43 (109.3) | 78 (198.2) | 120 (304.8) | NOT AVAILABLE | | | |
| Aura (Poetry, Sable) | 78 (198.2) | 43 (109.3) | 78 (198.2) | 120 (304.8) | NOT AVAILABLE | | | |
| B500* | 78 (198.2) | 53 (134.7) | 78 (198.2) | 120 (304.8) | 78 (198.2) | 53 (134.7) | 78 (198.2) | 87 (221) |
| B1000* | 78 (198.2) | 49 (124.5) | 78 (198.2) | 120 (304.8) | 78 (198.2) | 49 (124.5) | 78 (198.2) | 87 (221) |
| Bamboo | 78 (198.2) | 53 (134.7) | 78 (198.2) | 120 (304.8) | 78 (198.2) | 53 (134.7) | 78 (198.2) | 87 (221) |
| Brilliance | 78 (198.2) | 49 (124.5) | 78 (198.2) | 120 (304.8) | NOT AVAILABLE | | | |
| Cambridge LF 76" (193.1cm) (Ivory, Rainstorm) | 77 (195.6) | 120 (304.8) | 77 (195.6) | 120 (304.8) | 78 (198.2) | 67 (170.2) | 78 (198.2) | 67 (170.2) |
| Cambridge LF 92" (233.7cm) (Clay, Cobblestone, French Toast, Inkwel, Off White, White) | 78 (198.2) | 120 (304.8) | 78 (198.2) | 120 (304.8) | 78 (198.2) | 83 (210.9) | 78 (198.2) | 83 (210.9) |
| Cambridge RD 76" (193.1cm) (Ivory, Rainstorm) | 77 (195.6) | 113 (287.1) | 77 (195.6) | 120 (304.8) | 78 (198.2) | 67 (170.2) | 78 (198.2) | 67 (170.2) |
| Cambridge RD 92" (233.7cm) (Clay, Cobblestone, French Toast, Inkwel, Off White, White) | 78 (198.2) | 113 (287.1) | 78 (198.2) | 120 (304.8) | 78 (198.2) | 83 (210.9) | 78 (198.2) | 83 (210.9) |
| Capri | 71 (180.4) | 70 (177.8) | 71 (180.4) | 120 (304.8) | NOT AVAILABLE | | | |
| Cirrus | 78 (198.2) | 77 (195.6) | 78 (198.2) | 120 (304.8) | 78 (198.2) | 77 (195.6) | 78 (198.2) | 87 (221) |
| Contour (Alpine) | 78 (198.2) | 45 (114.3) | 78 (198.2) | 120 (304.8) | NOT AVAILABLE | | | |
| Contour (Essence, Maple, Natural, Smoke, Smudge) | 78 (198.2) | 36 (91.5) | 78 (198.2) | 105 (266.7) | NOT AVAILABLE | | | |
| Crossweave | 72 (182.9) | 81 (205.8) | 72 (182.9) | 120 (304.8) | 78 (198.2) | 63 (160.1) | 78 (198.2) | 63 (160.1) |
| Crystalline | 77 (195.6) | 120 (304.8) | 77 (195.6) | 120 (304.8) | 78 (198.2) | 67 (170.2) | 78 (198.2) | 67 (170.2) |
| Crystalline Essence | 77 (195.6) | 120 (304.8) | 77 (195.6) | 120 (304.8) | 78 (198.2) | 67 (170.2) | 78 (198.2) | 67 (170.2) |
| Cumulus | 78 (198.2) | 53 (134.7) | 78 (198.2) | 120 (304.8) | 78 (198.2) | 53 (134.7) | 78 (198.2) | 87 (221) |
| Debut | 78 (198.2) | 100 (254) | 78 (198.2) | 120 (304.8) | NOT AVAILABLE | | | |
| E Screen 1% | 78 (198.2) | 94 (238.8) | 78 (198.2) | 120 (304.8) | NOT AVAILABLE | | | |
| E Screen 3% | 78 (198.2) | 94 (238.8) | 78 (198.2) | 120 (304.8) | NOT AVAILABLE | | | |
| Elements | 78 (198.2) | 85 (215.9) | 78 (198.2) | 120 (304.8) | NOT AVAILABLE | | | |
| Essential | 70 (177.8) | 120 (304.8) | 70 (177.8) | 120 (304.8) | 78 (198.2) | 61 (155) | 78 (198.2) | 61 (155) |
| Eventide | 78 (198.2) | 70 (177.8) | 78 (198.2) | 120 (304.8) | NOT AVAILABLE | | | |
| Fern | 78 (198.2) | 45 (114.3) | 78 (198.2) | 120 (304.8) | 78 (198.2) | 45 (114.3) | 78 (198.2) | 87 (221) |
| Harmony | 78 (198.2) | 120 (304.8) | 78 (198.2) | 120 (304.8) | NOT AVAILABLE | | | |
| Linen (Burlap, Cream) | 78 (198.2) | 30 (76.2) | 78 (198.2) | 89 (226.1) | NOT AVAILABLE | | | |
| Linen (Cinnamon, Cranberry, Fig, Topaz) | 78 (198.2) | 42 (106.7) | 78 (198.2) | 120 (304.8) | NOT AVAILABLE | | | |
| M Screen 3% | 78 (198.2) | 94 (238.8) | 78 (198.2) | 120 (304.8) | 78 (198.2) | 94 (238.8) | 78 (198.2) | 110 (279.4) |
| M Screen 5% | 78 (198.2) | 85 (215.9) | 78 (198.2) | 120 (304.8) | 78 (198.2) | 85 (215.9) | 78 (198.2) | 110 (279.4) |
| Marquesa | 78 (198.2) | 36 (91.5) | 78 (198.2) | 105 (266.7) | NOT AVAILABLE | | | |
| Menagerie (Birch, Rockefeller) | 78 (198.2) | 37 (94) | 78 (198.2) | 108 (274.4) | NOT AVAILABLE | | | |
| Menagerie (Derby, Rust)* | 78 (198.2) | 28 (71.2) | 78 (198.2) | 86 (218.5) | NOT AVAILABLE | | | |
| Menagerie (Haystack, Silverstone, Southern Wind) | 78 (198.2) | 46 (116.9) | 78 (198.2) | 120 (304.8) | NOT AVAILABLE | | | |
| Monaco | 77 (195.6) | 120 (304.8) | 77 (195.6) | 120 (304.8) | 78 (198.2) | 67 (170.2) | 78 (198.2) | 67 (170.2) |
| Monticello | 78 (198.2) | 38 (96.6) | 78 (198.2) | 111 (282) | 78 (198.2) | 38 (96.6) | 78 (198.2) | 87 (221) |
| Opulent | 78 (198.2) | 120 (304.8) | 78 (198.2) | 120 (304.8) | NOT AVAILABLE | | | |
| Origins | 78 (198.2) | 46 (116.9) | 78 (198.2) | 120 (304.8) | NOT AVAILABLE | | | |
| Prairie | 78 (198.2) | 100 (254) | 78 (198.2) | 120 (304.8) | NOT AVAILABLE | | | |
| Riverbend | 72 (182.9) | 51 (129.6) | 72 (182.9) | 120 (304.8) | NOT AVAILABLE | | | |
| Royale | 72 (182.9) | 85 (215.9) | 72 (182.9) | 120 (304.8) | NOT AVAILABLE | | | |
| Rujin | 72 (182.9) | 19 (48.3) | 72 (182.9) | 62 (157.5) | NOT AVAILABLE | | | |
| S100 S1 | 78 (198.2) | 85 (215.9) | 78 (198.2) | 120 (304.8) | 78 (198.2) | 85 (215.9) | 78 (198.2) | 87 (221) |
| S300 S1 | 78 (198.2) | 73 (185.5) | 78 (198.2) | 120 (304.8) | 78 (198.2) | 73 (185.5) | 78 (198.2) | 87 (221) |

Due to continuous manufacturing improvements, minimums and maximums are subject to change. Please call customer service for up to date size considerations.

Seams may be added to fabrics to accommodate long shade requirements. See Shade Features charts for a list of fabrics that can be seamed. Seams will be placed as close to the tube as possible; seam location is not selectable. Seams are visible when the shade is fully extended. Seaming is not available for Cordless or Smart Pull Shades.

*Smart Pull not available

Size Considerations

Cordless and Smart Pull Maximum Shade Size

| Valance Type | Normal Fabric Orientation | | | | Fabric Turned Width For Height (Railroaded) | | | |
|--|---------------------------|-----------------------|--|-----------------------|---|-----------------------|--|-----------------------|
| | Small Cassette Valance | | Medium Cassette/ Square-corner Valance/ No Cassette/ No Valance | | Small Cassette Valance | | Medium Cassette/ Square-corner Valance/ No Cassette/ No Valance | |
| Fabric | Width inches (cm) | Height inches (cm) | Width inches (cm) | Height inches (cm) | Width inches (cm) | Height inches (cm) | Width inches (cm) | Height inches (cm) |
| S500 S1 | 78 (198.2) | 81 (205.8) | 78 (198.2) | 120 (304.8) | 78 (198.2) | 81 (205.8) | 78 (198.2) | 87 (221) |
| S500 S2* | 78 (198.2) | 53 (134.7) | 78 (198.2) | 120 (304.8) | 78 (198.2) | 53 (134.7) | 78 (198.2) | 87 (221) |
| Scripture | 78 (198.2) | 100 (254) | 78 (198.2) | 120 (304.8) | 78 (198.2) | 75 (190.5) | 78 (198.2) | 75 (190.5) |
| Sedona | 72 (182.9) | 73 (185.5) | 72 (182.9) | 120 (304.8) | 78 (198.2) | 63 (160.1) | 78 (198.2) | 63 (160.1) |
| SheerWeave® 1000 | 78 (198.2) | 94 (238.8) | 78 (198.2) | 120 (304.8) | 78 (198.2) | 73 (185.5) | 78 (198.2) | 73 (185.5) |
| SheerWeave 2000 | 78 (198.2) | 100 (254) | 78 (198.2) | 120 (304.8) | 78 (198.2) | 87 (221) | 78 (198.2) | 87 (221) |
| SheerWeave 2100 | 78 (198.2) | 94 (238.8) | 78 (198.2) | 120 (304.8) | 78 (198.2) | 87 (221) | 78 (198.2) | 87 (221) |
| SheerWeave 2360 | 78 (198.2) | 113 (287.1) | 78 (198.2) | 120 (304.8) | 78 (198.2) | 87 (221) | 78 (198.2) | 87 (221) |
| SheerWeave 2390 | 78 (198.2) | 113 (287.1) | 78 (198.2) | 120 (304.8) | 78 (198.2) | 113 (287.1) | 78 (198.2) | 115 (292.1) |
| SheerWeave 2390 Performance Plus | 78 (198.2) | 106 (269.3) | 78 (198.2) | 120 (304.8) | 78 (198.2) | 85 (215.9) | 78 (198.2) | 85 (215.9) |
| SheerWeave 2410 | 78 (198.2) | 100 (254) | 78 (198.2) | 120 (304.8) | 78 (198.2) | 100 (254) | 78 (198.2) | 115 (292.1) |
| SheerWeave 2410 Performance Plus | 78 (198.2) | 100 (254) | 78 (198.2) | 120 (304.8) | 78 (198.2) | 85 (215.9) | 78 (198.2) | 85 (215.9) |
| SheerWeave 2500* | 78 (198.2) | 77 (195.6) | 78 (198.2) | 120 (304.8) | 78 (198.2) | 77 (195.6) | 78 (198.2) | 115 (292.1) |
| SheerWeave 2701 | 78 (198.2) | 67 (170.2) | 78 (198.2) | 120 (304.8) | 78 (198.2) | 67 (170.2) | 78 (198.2) | 87 (221) |
| SheerWeave 2703 | 78 (198.2) | 64 (162.6) | 78 (198.2) | 120 (304.8) | 78 (198.2) | 64 (162.6) | 78 (198.2) | 87 (221) |
| SheerWeave 2705 | 78 (198.2) | 73 (185.5) | 78 (198.2) | 120 (304.8) | 78 (198.2) | 73 (185.5) | 78 (198.2) | 87 (221) |
| SheerWeave 2710 | 78 (198.2) | 73 (185.5) | 78 (198.2) | 120 (304.8) | 78 (198.2) | 73 (185.5) | 78 (198.2) | 87 (221) |
| SheerWeave 3000 | 78 (198.2) | 64 (162.6) | 78 (198.2) | 120 (304.8) | 78 (198.2) | 64 (162.6) | 78 (198.2) | 85 (215.9) |
| SheerWeave 4000* | 78 (198.2) | 48 (122) | 78 (198.2) | 120 (304.8) | 78 (198.2) | 48 (122) | 78 (198.2) | 115 (292.1) |
| SheerWeave 4100* | 78 (198.2) | 49 (124.5) | 78 (198.2) | 120 (304.8) | 78 (198.2) | 49 (124.5) | 78 (198.2) | 87 (221) |
| SheerWeave 4400* | 78 (198.2) | 46 (116.9) | 78 (198.2) | 120 (304.8) | 78 (198.2) | 46 (116.9) | 78 (198.2) | 115 (292.1) |
| SheerWeave 4500 | 78 (198.2) | 77 (195.6) | 78 (198.2) | 120 (304.8) | 78 (198.2) | 77 (195.6) | 78 (198.2) | 87 (221) |
| SheerWeave 4550 | 78 (198.2) | 73 (185.5) | 78 (198.2) | 120 (304.8) | 78 (198.2) | 73 (185.5) | 78 (198.2) | 87 (221) |
| SheerWeave 4600* | 78 (198.2) | 59 (149.9) | 78 (198.2) | 120 (304.8) | 78 (198.2) | 59 (149.9) | 78 (198.2) | 87 (221) |
| SheerWeave 4650 | 78 (198.2) | 70 (177.8) | 78 (198.2) | 120 (304.8) | 78 (198.2) | 70 (177.8) | 78 (198.2) | 87 (221) |
| SheerWeave 4800* | 78 (198.2) | 48 (122) | 78 (198.2) | 120 (304.8) | 78 (198.2) | 48 (122) | 78 (198.2) | 85 (215.9) |
| SheerWeave 7000 | 78 (198.2) | 70 (177.8) | 78 (198.2) | 120 (304.8) | NOT AVAILABLE | | | |
| SheerWeave 7100* | 78 (198.2) | 81 (205.8) | 78 (198.2) | 120 (304.8) | NOT AVAILABLE | | | |
| Sheffield (Chelsea, Henley, Meadow, Windsor) | 72 (182.9) | 89 (226.1) | 72 (182.9) | 120 (304.8) | 78 (198.2) | 63 (160.1) | 78 (198.2) | 63 (160.1) |
| Sheffield (Eclipse, Tuscon, Weathered) | 72 (182.9) | 49 (124.5) | 72 (182.9) | 120 (304.8) | 78 (198.2) | 49 (124.5) | 78 (198.2) | 63 (160.1) |
| Stratus | 78 (198.2) | 81 (205.8) | 78 (198.2) | 120 (304.8) | 78 (198.2) | 81 (205.8) | 78 (198.2) | 85 (215.9) |
| Suburban II | 72 (182.9) | 120 (304.8) | 72 (182.9) | 120 (304.8) | 78 (198.2) | 63 (160.1) | 78 (198.2) | 63 (160.1) |
| Tranquility | 78 (198.2) | 46 (116.9) | 78 (198.2) | 120 (304.8) | 78 (198.2) | 46 (116.9) | 78 (198.2) | 87 (221) |
| Twine (Driftwood, Flagstone, Jewel, Metal, Oatmeal) | 78 (198.2) | 37 (94) | 78 (198.2) | 108 (274.4) | NOT AVAILABLE | | | |
| Twine (Heritage) | 78 (198.2) | 49 (124.5) | 78 (198.2) | 120 (304.8) | NOT AVAILABLE | | | |
| Wicker (Brownstone, Dawn, Shell, Terracotta, Thyme, Tiger's Eye) | 78 (198.2) | 48 (122) | 78 (198.2) | 120 (304.8) | 78 (198.2) | 48 (122) | 78 (198.2) | 87 (221) |
| Wicker (Tawny) | 78 (198.2) | 45 (114.3) | 78 (198.2) | 120 (304.8) | 78 (198.2) | 45 (114.3) | 78 (198.2) | 87 (221) |

Due to continuous manufacturing improvements, minimums and maximums are subject to change. Please call customer service for up to date size considerations.

Seams may be added to fabrics to accommodate long shade requirements. See Shade Features charts for a list of fabrics that can be seamed. Seams will be placed as close to the tube as possible; seam location is not selectable. Seams are visible when the shade is fully extended. Seaming is not available for Cordless or Smart Pull Shades.

*Smart Pull not available

Size Considerations

Minimum Width: 16" (40.6 cm)
 Minimum Height: 13" (33.0 cm)

12 Volt Motor: Maximum Shade Size

| Valance Type | Normal Fabric Orientation | | | | | | Fabric Turned Width For Height (Railroaded) | | | | | | | | | |
|--|---------------------------|-----------------------|----------------------|-----------------------|--|-----------------------|---|-----------------------|----------------------|-----------------------|----------------------|-----------------------|----------------------|-----------------------|----------------------|-----------------------|
| | Small Cassette | | Medium Cassette | | Large Cassette/ Square-corner Valance/ No Cassette/ No Valance | | 3" (7.7 cm) Fascia | | 4" (10.2 cm) Fascia | | Medium Cassette | | 3" (7.7 cm) Fascia | | 4" (10.2 cm) Fascia | |
| | Width inches (cm) | Height inches (cm) | Width inches (cm) | Height inches (cm) | Width inches (cm) | Height inches (cm) | Width inches (cm) | Height inches (cm) | Width inches (cm) | Height inches (cm) | Width inches (cm) | Height inches (cm) | Width inches (cm) | Height inches (cm) | Width inches (cm) | Height inches (cm) |
| Fabric | | | | | | | | | | | | | | | | |
| A100 | 73 (185.5) | 108 (274.4) | 73 (185.5) | 108 (274.4) | 73 (185.5) | 108 (274.4) | 73 (185.5) | 108 (274.4) | 73 (185.5) | 108 (274.4) | 73 (185.5) | 108 (274.4) | 73 (185.5) | 108 (274.4) | 73 (185.5) | 108 (274.4) |
| A300 | 73 (185.5) | 97 (246.4) | 71 (180.4) | 112 (284.5) | 71 (180.4) | 112 (284.5) | 71 (180.4) | 112 (284.5) | 71 (180.4) | 112 (284.5) | 71 (180.4) | 112 (284.5) | 71 (180.4) | 112 (284.5) | 71 (180.4) | 112 (284.5) |
| A500 | 74 (188) | 106 (269.3) | 73 (185.5) | 117 (297.2) | 73 (185.5) | 117 (297.2) | 73 (185.5) | 117 (297.2) | 73 (185.5) | 117 (297.2) | 73 (185.5) | 117 (297.2) | 73 (185.5) | 117 (297.2) | 73 (185.5) | 117 (297.2) |
| Allure | 93 (236.3) | 121 (307.4) | 93 (236.3) | 121 (307.4) | 93 (236.3) | 121 (307.4) | 93 (236.3) | 121 (307.4) | 93 (236.3) | 121 (307.4) | 93 (236.3) | 121 (307.4) | 93 (236.3) | 121 (307.4) | 93 (236.3) | 121 (307.4) |
| Aura (Aspen, Tweed) | 75 (190.5) | 72 (182.9) | 82 (206.3) | 111 (282) | 80 (203.2) | 125 (317.5) | 71 (180.4) | 98 (249) | 80 (203.2) | 125 (317.5) | 71 (180.4) | 98 (249) | 80 (203.2) | 125 (317.5) | 71 (180.4) | 98 (249) |
| Aura (Poetry, Sable) | 73 (185.5) | 72 (182.9) | 79 (200.7) | 111 (282) | 77 (195.6) | 126 (320.1) | 83 (210.9) | 86 (218.5) | 77 (195.6) | 126 (320.1) | 83 (210.9) | 86 (218.5) | 77 (195.6) | 126 (320.1) | 83 (210.9) | 86 (218.5) |
| B 500 | 61 (155) | 87 (221) | 71 (180.4) | 95 (241.3) | 71 (180.4) | 95 (241.3) | 71 (180.4) | 95 (241.3) | 71 (180.4) | 95 (241.3) | 71 (180.4) | 95 (241.3) | 71 (180.4) | 95 (241.3) | 71 (180.4) | 95 (241.3) |
| B1000 | 70 (177.8) | 82 (208.3) | 76 (193.1) | 123 (312.5) | 76 (193.1) | 123 (312.5) | 80 (203.2) | 97 (246.4) | 76 (193.1) | 123 (312.5) | 80 (203.2) | 97 (246.4) | 76 (193.1) | 123 (312.5) | 80 (203.2) | 97 (246.4) |
| Bamboo | 71 (180.4) | 87 (221) | 79 (200.7) | 123 (312.5) | 79 (200.7) | 123 (312.5) | 82 (208.3) | 103 (261.7) | 79 (200.7) | 123 (312.5) | 82 (208.3) | 103 (261.7) | 79 (200.7) | 123 (312.5) | 82 (208.3) | 103 (261.7) |
| Brilliance | 76 (193.1) | 82 (208.3) | 78 (198.2) | 125 (317.5) | 78 (198.2) | 144 (365.8) | 72 (182.9) | 112 (284.5) | 78 (198.2) | 144 (365.8) | 72 (182.9) | 112 (284.5) | 78 (198.2) | 144 (365.8) | 72 (182.9) | 112 (284.5) |
| Cambridge LF 76" (193.1) (Ivory, Rainstorm) | 77 (195.6) | 144 (365.8) | 77 (195.6) | 144 (365.8) | 77 (195.6) | 144 (365.8) | 77 (195.6) | 144 (365.8) | 77 (195.6) | 144 (365.8) | 77 (195.6) | 144 (365.8) | 77 (195.6) | 144 (365.8) | 77 (195.6) | 144 (365.8) |
| Cambridge LF 92" (233.7) (Clay, Cobblestone, French Toast, Inkwell, Off White, White) | 82 (203.7) | 144 (365.8) | 92 (233.7) | 144 (365.8) | 92 (233.7) | 144 (365.8) | 92 (233.7) | 144 (365.8) | 92 (233.7) | 144 (365.8) | 92 (233.7) | 144 (365.8) | 92 (233.7) | 144 (365.8) | 92 (233.7) | 144 (365.8) |
| Cambridge RD 76" (193.1) (Ivory, Rainstorm) | 77 (195.6) | 144 (365.8) | 77 (195.6) | 144 (365.8) | 77 (195.6) | 144 (365.8) | 77 (195.6) | 144 (365.8) | 77 (195.6) | 144 (365.8) | 77 (195.6) | 144 (365.8) | 77 (195.6) | 144 (365.8) | 77 (195.6) | 144 (365.8) |
| Cambridge RD 92" (233.7) (Clay, Cobblestone, French Toast, Inkwell, Off White, White) | 82 (208.3) | 144 (365.8) | 82 (208.3) | 144 (365.8) | 82 (208.3) | 144 (365.8) | 82 (208.3) | 144 (365.8) | 82 (208.3) | 144 (365.8) | 82 (208.3) | 144 (365.8) | 82 (208.3) | 144 (365.8) | 82 (208.3) | 144 (365.8) |
| Capri | 71 (180.4) | 113 (287.1) | 71 (180.4) | 144 (365.8) | 71 (180.4) | 144 (365.8) | 71 (180.4) | 144 (365.8) | 71 (180.4) | 144 (365.8) | 71 (180.4) | 144 (365.8) | 71 (180.4) | 144 (365.8) | 71 (180.4) | 144 (365.8) |
| Cirrus | 84 (213.4) | 101 (256.6) | 81 (205.8) | 123 (312.5) | 81 (205.8) | 123 (312.5) | 81 (205.8) | 123 (312.5) | 81 (205.8) | 123 (312.5) | 81 (205.8) | 123 (312.5) | 81 (205.8) | 123 (312.5) | 81 (205.8) | 123 (312.5) |
| Contour (Alpine) | 74 (188) | 74 (188) | 80 (203.2) | 114 (289.6) | 79 (200.7) | 125 (317.5) | 84 (213.4) | 88 (223.6) | 79 (200.7) | 125 (317.5) | 84 (213.4) | 88 (223.6) | 79 (200.7) | 125 (317.5) | 84 (213.4) | 88 (223.6) |
| Contour (Alpine) Natural, Smoke, Smudge) | 76 (193.1) | 61 (155) | 83 (210.9) | 94 (238.8) | 79 (200.7) | 121 (307.4) | 72 (182.9) | 84 (213.4) | 79 (200.7) | 121 (307.4) | 72 (182.9) | 84 (213.4) | 79 (200.7) | 121 (307.4) | 72 (182.9) | 84 (213.4) |
| Crossweave | 72 (182.9) | 129 (327.7) | 72 (182.9) | 144 (365.8) | 72 (182.9) | 144 (365.8) | 72 (182.9) | 144 (365.8) | 72 (182.9) | 144 (365.8) | 72 (182.9) | 144 (365.8) | 72 (182.9) | 144 (365.8) | 72 (182.9) | 144 (365.8) |
| Crystalline | 77 (195.6) | 144 (365.8) | 77 (195.6) | 144 (365.8) | 77 (195.6) | 144 (365.8) | 77 (195.6) | 144 (365.8) | 77 (195.6) | 144 (365.8) | 77 (195.6) | 144 (365.8) | 77 (195.6) | 144 (365.8) | 77 (195.6) | 144 (365.8) |
| Crystalline Essence | 77 (195.6) | 144 (365.8) | 77 (195.6) | 144 (365.8) | 77 (195.6) | 144 (365.8) | 77 (195.6) | 144 (365.8) | 77 (195.6) | 144 (365.8) | 77 (195.6) | 144 (365.8) | 77 (195.6) | 144 (365.8) | 77 (195.6) | 144 (365.8) |
| Cumulus | 73 (185.5) | 87 (221) | 80 (203.2) | 127 (322.6) | 80 (203.2) | 144 (365.8) | 83 (210.9) | 103 (261.7) | 80 (203.2) | 144 (365.8) | 83 (210.9) | 103 (261.7) | 80 (203.2) | 144 (365.8) | 83 (210.9) | 103 (261.7) |
| Debut | 85 (215.9) | 131 (332.8) | 85 (215.9) | 144 (365.8) | 85 (215.9) | 144 (365.8) | 85 (215.9) | 144 (365.8) | 85 (215.9) | 144 (365.8) | 85 (215.9) | 144 (365.8) | 85 (215.9) | 144 (365.8) | 85 (215.9) | 144 (365.8) |
| E Screen 1% | 81 (205.8) | 121 (307.4) | 81 (205.8) | 121 (307.4) | 81 (205.8) | 121 (307.4) | 81 (205.8) | 121 (307.4) | 81 (205.8) | 121 (307.4) | 81 (205.8) | 121 (307.4) | 81 (205.8) | 121 (307.4) | 81 (205.8) | 121 (307.4) |
| E Screen 3% | 82 (208.3) | 124 (315) | 82 (208.3) | 124 (315) | 82 (208.3) | 124 (315) | 82 (208.3) | 124 (315) | 82 (208.3) | 124 (315) | 82 (208.3) | 124 (315) | 82 (208.3) | 124 (315) | 82 (208.3) | 124 (315) |
| Elements | 95 (241.3) | 108 (274.4) | 93 (236.3) | 125 (317.5) | 93 (236.3) | 125 (317.5) | 93 (236.3) | 125 (317.5) | 93 (236.3) | 125 (317.5) | 93 (236.3) | 125 (317.5) | 93 (236.3) | 125 (317.5) | 93 (236.3) | 125 (317.5) |
| Essential | 70 (177.8) | 144 (365.8) | 70 (177.8) | 144 (365.8) | 70 (177.8) | 144 (365.8) | 70 (177.8) | 144 (365.8) | 70 (177.8) | 144 (365.8) | 70 (177.8) | 144 (365.8) | 70 (177.8) | 144 (365.8) | 70 (177.8) | 144 (365.8) |
| Eventide | 85 (215.9) | 93 (236.3) | 81 (205.8) | 120 (304.8) | 81 (205.8) | 120 (304.8) | 81 (205.8) | 120 (304.8) | 81 (205.8) | 120 (304.8) | 81 (205.8) | 120 (304.8) | 81 (205.8) | 120 (304.8) | 81 (205.8) | 120 (304.8) |

Due to continuous manufacturing improvements, minimums and maximums are subject to change. Please call customer service for up to date size considerations.
 See Dual Shade section for Dual Shade motorization information.

Size Considerations

Minimum Width: 16" (40.6 cm)
 Minimum Height: 13" (33.0 cm)

12 Volt Motor: Maximum Shade Size

| Valance Type | Normal Fabric Orientation | | | | | | Fabric Turned Width For Height (Railroaded) | | | | | | | | | |
|--|---------------------------|-----------------------|----------------------|-----------------------|--|-----------------------|---|-----------------------|----------------------|-----------------------|--|-----------------------|----------------------|-----------------------|----------------------|-----------------------|
| | Small Cassette | | Medium Cassette | | Large Cassette/ Square-corner Valance/ No Valance | | Small Cassette | | Medium Cassette | | Large Cassette/ Square-corner Valance/ No Valance | | 3" (7.7 cm) Fascia | | 4" (10.2 cm) Fascia | |
| | Width inches (cm) | Height inches (cm) | Width inches (cm) | Height inches (cm) | Width inches (cm) | Height inches (cm) | Width inches (cm) | Height inches (cm) | Width inches (cm) | Height inches (cm) | Width inches (cm) | Height inches (cm) | Width inches (cm) | Height inches (cm) | Width inches (cm) | Height inches (cm) |
| SheerWeave 2410 Performance Plus | 80 (203.2) | 121 (307.4) | 80 (203.2) | 121 (307.4) | 80 (203.2) | 121 (307.4) | 80 (203.2) | 121 (307.4) | 80 (203.2) | 121 (307.4) | 80 (203.2) | 121 (307.4) | 80 (203.2) | 121 (307.4) | 80 (203.2) | 121 (307.4) |
| SheerWeave 2500 | 80 (203.2) | 101 (256.6) | 77 (195.6) | 124 (315) | 77 (195.6) | 124 (315) | 77 (195.6) | 124 (315) | 77 (195.6) | 124 (315) | 77 (195.6) | 124 (315) | 77 (195.6) | 77 (195.6) | 77 (195.6) | 124 (315) |
| SheerWeave 2701 | 84 (213.4) | 89 (226.1) | 79 (200.7) | 124 (315) | 79 (200.7) | 124 (315) | 84 (213.4) | 89 (226.1) | 79 (200.7) | 124 (315) | 84 (213.4) | 89 (226.1) | 79 (200.7) | 79 (200.7) | 79 (200.7) | 124 (315) |
| SheerWeave 2703 | 71 (180.4) | 96 (243.9) | 80 (203.2) | 122 (309.9) | 80 (203.2) | 122 (309.9) | 71 (180.4) | 96 (243.9) | 80 (203.2) | 122 (309.9) | 80 (203.2) | 122 (309.9) | 80 (203.2) | 80 (203.2) | 80 (203.2) | 122 (309.9) |
| SheerWeave® 2705 | 86 (218.5) | 97 (246.4) | 82 (206.3) | 129 (327.7) | 82 (206.3) | 129 (327.7) | 86 (218.5) | 97 (246.4) | 82 (206.3) | 129 (327.7) | 82 (206.3) | 129 (327.7) | 82 (206.3) | 82 (206.3) | 82 (206.3) | 129 (327.7) |
| SheerWeave 2710 | 73 (185.5) | 113 (287.1) | 82 (206.3) | 144 (365.8) | 82 (206.3) | 144 (365.8) | 73 (185.5) | 113 (287.1) | 82 (206.3) | 144 (365.8) | 82 (206.3) | 144 (365.8) | 82 (206.3) | 82 (206.3) | 82 (206.3) | 144 (365.8) |
| SheerWeave 3000 | 71 (180.4) | 100 (254) | 80 (203.2) | 127 (322.6) | 80 (203.2) | 124 (315) | 71 (180.4) | 100 (254) | 80 (203.2) | 127 (322.6) | 80 (203.2) | 127 (322.6) | 80 (203.2) | 80 (203.2) | 80 (203.2) | 127 (322.6) |
| SheerWeave 4000 | 69 (175.3) | 79 (200.7) | 75 (190.5) | 118 (299.8) | 74 (188) | 125 (317.5) | 69 (175.3) | 79 (200.7) | 75 (190.5) | 118 (299.8) | 74 (188) | 125 (317.5) | 79 (200.7) | 79 (200.7) | 79 (200.7) | 125 (317.5) |
| SheerWeave 4100 | 70 (177.8) | 82 (208.3) | 76 (193.1) | 123 (312.5) | 76 (193.1) | 123 (312.5) | 70 (177.8) | 82 (208.3) | 76 (193.1) | 123 (312.5) | 76 (193.1) | 123 (312.5) | 76 (193.1) | 76 (193.1) | 76 (193.1) | 123 (312.5) |
| SheerWeave 4400 | 68 (172.8) | 77 (195.6) | 75 (190.5) | 110 (279.4) | 73 (185.5) | 123 (312.5) | 68 (172.8) | 77 (195.6) | 75 (190.5) | 110 (279.4) | 73 (185.5) | 123 (312.5) | 75 (190.5) | 75 (190.5) | 75 (190.5) | 123 (312.5) |
| SheerWeave 4500 | 82 (208.3) | 101 (256.6) | 79 (200.7) | 126 (320.1) | 79 (200.7) | 126 (320.1) | 82 (208.3) | 101 (256.6) | 79 (200.7) | 126 (320.1) | 79 (200.7) | 126 (320.1) | 79 (200.7) | 79 (200.7) | 79 (200.7) | 126 (320.1) |
| SheerWeave 4550 | 85 (215.9) | 97 (246.4) | 82 (206.3) | 122 (309.9) | 82 (206.3) | 122 (309.9) | 85 (215.9) | 97 (246.4) | 82 (206.3) | 122 (309.9) | 82 (206.3) | 122 (309.9) | 82 (206.3) | 82 (206.3) | 82 (206.3) | 122 (309.9) |
| SheerWeave 4600 | 67 (170.2) | 97 (246.4) | 76 (193.1) | 123 (312.5) | 77 (195.6) | 115 (292.1) | 67 (170.2) | 97 (246.4) | 76 (193.1) | 123 (312.5) | 77 (195.6) | 115 (292.1) | 76 (193.1) | 76 (193.1) | 76 (193.1) | 123 (312.5) |
| SheerWeave 4650 | 85 (215.9) | 93 (236.3) | 81 (205.8) | 121 (307.4) | 81 (205.8) | 121 (307.4) | 85 (215.9) | 93 (236.3) | 81 (205.8) | 121 (307.4) | 81 (205.8) | 121 (307.4) | 81 (205.8) | 81 (205.8) | 81 (205.8) | 121 (307.4) |
| SheerWeave 4800 | 70 (177.8) | 78 (198.2) | 75 (190.5) | 121 (307.4) | 75 (190.5) | 123 (312.5) | 70 (177.8) | 78 (198.2) | 75 (190.5) | 121 (307.4) | 75 (190.5) | 123 (312.5) | 75 (190.5) | 75 (190.5) | 75 (190.5) | 123 (312.5) |
| SheerWeave 7000 | 85 (215.9) | 93 (236.3) | 81 (205.8) | 120 (304.8) | 81 (205.8) | 120 (304.8) | 85 (215.9) | 93 (236.3) | 81 (205.8) | 120 (304.8) | 81 (205.8) | 120 (304.8) | 81 (205.8) | 81 (205.8) | 81 (205.8) | 120 (304.8) |
| SheerWeave 7100 | 76 (193.1) | 106 (269.3) | 74 (188) | 121 (307.4) | 74 (188) | 121 (307.4) | 76 (193.1) | 106 (269.3) | 74 (188) | 121 (307.4) | 74 (188) | 121 (307.4) | 74 (188) | 74 (188) | 74 (188) | 121 (307.4) |
| Sheffield (Chelsea, Henley, Meadow, Windsor) | 72 (182.9) | 143 (363.3) | 72 (182.9) | 144 (365.8) | 72 (182.9) | 144 (365.8) | 72 (182.9) | 143 (363.3) | 72 (182.9) | 144 (365.8) | 72 (182.9) | 144 (365.8) | 72 (182.9) | 72 (182.9) | 72 (182.9) | 144 (365.8) |
| Sheffield (Eclipse, Tuscon, Weathered) | 72 (182.9) | 82 (208.3) | 72 (182.9) | 140 (355.6) | 72 (182.9) | 112 (284.5) | 72 (182.9) | 82 (208.3) | 72 (182.9) | 140 (355.6) | 72 (182.9) | 112 (284.5) | 72 (182.9) | 72 (182.9) | 72 (182.9) | 140 (355.6) |
| Stratus | 84 (213.4) | 106 (269.3) | 82 (206.3) | 123 (312.5) | 82 (206.3) | 123 (312.5) | 84 (213.4) | 106 (269.3) | 82 (206.3) | 123 (312.5) | 82 (206.3) | 123 (312.5) | 82 (206.3) | 82 (206.3) | 82 (206.3) | 123 (312.5) |
| Suburban II | 72 (182.9) | 144 (365.8) | 72 (182.9) | 144 (365.8) | 72 (182.9) | 144 (365.8) | 72 (182.9) | 144 (365.8) | 72 (182.9) | 144 (365.8) | 72 (182.9) | 144 (365.8) | 72 (182.9) | 72 (182.9) | 72 (182.9) | 144 (365.8) |
| Tranquility | 73 (185.5) | 77 (195.6) | 80 (203.2) | 116 (294.7) | 79 (200.7) | 123 (312.5) | 73 (185.5) | 77 (195.6) | 80 (203.2) | 116 (294.7) | 79 (200.7) | 123 (312.5) | 80 (203.2) | 80 (203.2) | 80 (203.2) | 123 (312.5) |
| Twine (Driftwood, Flagstone, Jewel, Metal, Oatmeal) | 76 (193.1) | 63 (160.1) | 83 (210.9) | 97 (246.4) | 79 (200.7) | 123 (312.5) | 76 (193.1) | 63 (160.1) | 83 (210.9) | 97 (246.4) | 79 (200.7) | 123 (312.5) | 79 (200.7) | 79 (200.7) | 79 (200.7) | 123 (312.5) |
| Twine (Heritage) | 75 (190.5) | 82 (208.3) | 82 (208.3) | 124 (315) | 82 (208.3) | 124 (315) | 75 (190.5) | 82 (208.3) | 82 (208.3) | 124 (315) | 82 (208.3) | 124 (315) | 82 (208.3) | 82 (208.3) | 82 (208.3) | 124 (315) |
| Wicker (Brownstone, Dawn, Shell, Terracotta, Thyme, Tiger's Eye) | 74 (188) | 79 (200.7) | 80 (203.2) | 121 (307.4) | v80 (203.2) | 125 (317.5) | 74 (188) | 79 (200.7) | 80 (203.2) | 121 (307.4) | v80 (203.2) | 125 (317.5) | 80 (203.2) | 80 (203.2) | 80 (203.2) | 125 (317.5) |
| Wicker (Tawny) | 73 (185.5) | 74 (188) | 80 (203.2) | 111 (282) | 78 (198.2) | 124 (315) | 73 (185.5) | 74 (188) | 80 (203.2) | 111 (282) | 78 (198.2) | 124 (315) | 80 (203.2) | 80 (203.2) | 80 (203.2) | 124 (315) |

Due to continuous manufacturing improvements, minimums and maximums are subject to change. Please call customer service for up to date size considerations. See Dual Shade section for Dual Shade motorization information.

Size Considerations

Minimum Width: 20" (50.8 cm)
 Minimum Height: 13" (33.0 cm)

24 Volt Motor: Maximum Shade Size

| Valance Type | Normal Fabric Orientation | | | | | | Fabric Turned Width For Height (Railroaded) | | | | | | | | | |
|--|---------------------------|-----------------------|----------------------|-----------------------|--|-----------------------|---|-----------------------|------------------------|-----------------------|----------------------|-----------------------|-----------------------|-----------------------|------------------------|-----------------------|
| | Small Cassette | | Medium Cassette | | Large Cassette/ Square-corner Valance/ No Cassette/ No Valance | | 3" (7.7 cm) Fascia | | 4" (10.2 cm) Fascia | | Medium Cassette | | 3" (7.7 cm) Fascia | | 4" (10.2 cm) Fascia | |
| | Width inches (cm) | Height inches (cm) | Width inches (cm) | Height inches (cm) | Width inches (cm) | Height inches (cm) | Width inches (cm) | Height inches (cm) | Width inches (cm) | Height inches (cm) | Width inches (cm) | Height inches (cm) | Width inches (cm) | Height inches (cm) | Width inches (cm) | Height inches (cm) |
| Fabric | | | | | | | | | | | | | | | | |
| Ferr | 90 (228.6) | 60 (152.4) | 80 (203.2) | 114 (289.6) | 97 (246.4) | 144 (365.8) | 84 (213.4) | 88 (223.6) | 97 (246.4) | 144 (365.8) | 85 (215.9) | 86 (218.5) | 85 (215.9) | 86 (218.5) | 116 (294.7) | 83 (210.9) |
| Harmony | 92 (233.7) | 139 (353.1) | 92 (233.7) | 144 (365.8) | 92 (233.7) | 144 (365.8) | 84 (213.4) | 92 (233.7) | 97 (246.4) | 144 (365.8) | 118 (299.8) | 118 (299.8) | 85 (215.9) | 86 (218.5) | 116 (294.7) | 83 (210.9) |
| Linen (Burlap, Cream) | 94 (238.8) | 41 (104.2) | 84 (213.4) | 80 (203.2) | 97 (246.4) | 144 (365.8) | 89 (226.1) | 61 (155) | 97 (246.4) | 144 (365.8) | 118 (299.8) | 118 (299.8) | 85 (215.9) | 86 (218.5) | 116 (294.7) | 83 (210.9) |
| Linen (Cinnamon, Cranberry, Fig, Topaz) | 92 (233.7) | 56 (142.3) | 82 (208.3) | 107 (271.8) | 97 (246.4) | 144 (365.8) | 86 (218.5) | 83 (210.9) | 97 (246.4) | 144 (365.8) | 118 (299.8) | 118 (299.8) | 85 (215.9) | 86 (218.5) | 116 (294.7) | 83 (210.9) |
| M Screen 3% | 82 (208.3) | 120 (304.8) | 109 (276.9) | 136 (345.5) | 109 (276.9) | 136 (345.5) | 113 (287.1) | 110 (279.4) | 109 (276.9) | 136 (345.5) | 113 (287.1) | 113 (287.1) | 113 (287.1) | 110 (279.4) | 109 (276.9) | 136 (345.5) |
| M Screen 5% | 83 (210.9) | 112 (284.5) | 109 (276.9) | 136 (345.5) | 109 (276.9) | 136 (345.5) | 82 (208.3) | 120 (304.8) | 109 (276.9) | 136 (345.5) | 113 (287.1) | 113 (287.1) | 82 (208.3) | 120 (304.8) | 109 (276.9) | 136 (345.5) |
| Marquesa | 93 (236.3) | 49 (124.5) | 83 (210.9) | 94 (238.8) | 97 (246.4) | 144 (365.8) | 87 (221) | 73 (185.5) | 97 (246.4) | 139 (353.1) | 113 (287.1) | 113 (287.1) | 85 (215.9) | 86 (218.5) | 116 (294.7) | 83 (210.9) |
| Menagerie (Birch, Rockafeller) | 93 (236.3) | 50 (127) | 83 (210.9) | 97 (246.4) | 97 (246.4) | 144 (365.8) | 87 (221) | 75 (190.5) | 97 (246.4) | 142 (360.7) | 113 (287.1) | 113 (287.1) | 85 (215.9) | 86 (218.5) | 116 (294.7) | 83 (210.9) |
| Menagerie (Derby, Rust) | 95 (241.3) | 39 (99.1) | 85 (215.9) | 76 (193.1) | 97 (246.4) | 144 (365.8) | 89 (226.1) | 59 (149.9) | 97 (246.4) | 113 (287.1) | 113 (287.1) | 113 (287.1) | 85 (215.9) | 86 (218.5) | 116 (294.7) | 83 (210.9) |
| Menagerie (Haystack, Silverstone, Southern Wind) | 91 (231.2) | 62 (157.5) | 82 (208.3) | 113 (287.1) | 97 (246.4) | 144 (365.8) | 85 (215.9) | 91 (231.2) | 97 (246.4) | 144 (365.8) | 113 (287.1) | 113 (287.1) | 85 (215.9) | 86 (218.5) | 116 (294.7) | 83 (210.9) |
| Monaco | 77 (195.6) | 144 (365.8) | 77 (195.6) | 144 (365.8) | 77 (195.6) | 144 (365.8) | 77 (195.6) | 144 (365.8) | 77 (195.6) | 144 (365.8) | 113 (287.1) | 113 (287.1) | 101 (256.6) | 66 (167.7) | 101 (256.6) | 66 (167.7) |
| Monticello | 91 (231.2) | 52 (132.1) | 81 (205.8) | 99 (251.5) | 96 (243.9) | 144 (365.8) | 85 (215.9) | 77 (195.6) | 96 (243.9) | 144 (365.8) | 113 (287.1) | 113 (287.1) | 114 (289.6) | 83 (210.9) | 114 (289.6) | 83 (210.9) |
| Opulent | 89 (226.1) | 132 (335.3) | 96 (243.9) | 144 (365.8) | 96 (243.9) | 144 (365.8) | 96 (243.9) | 144 (365.8) | 96 (243.9) | 144 (365.8) | 113 (287.1) | 113 (287.1) | 85 (215.9) | 86 (218.5) | 116 (294.7) | 83 (210.9) |
| Origins | 92 (233.7) | 62 (157.5) | 82 (208.3) | 117 (297.2) | 97 (246.4) | 144 (365.8) | 86 (215.9) | 91 (231.2) | 97 (246.4) | 144 (365.8) | 113 (287.1) | 113 (287.1) | 85 (215.9) | 86 (218.5) | 116 (294.7) | 83 (210.9) |
| Prairie | 90 (228.6) | 130 (330.2) | 108 (274.4) | 144 (365.8) | 108 (274.4) | 144 (365.8) | 108 (274.4) | 116 (294.7) | 108 (274.4) | 144 (365.8) | 113 (287.1) | 113 (287.1) | 85 (215.9) | 86 (218.5) | 116 (294.7) | 83 (210.9) |
| Riverbend | 72 (182.9) | 68 (172.8) | 72 (182.9) | 129 (327.7) | 72 (182.9) | 144 (365.8) | 72 (182.9) | 100 (254) | 72 (182.9) | 144 (365.8) | 113 (287.1) | 113 (287.1) | 85 (215.9) | 86 (218.5) | 116 (294.7) | 83 (210.9) |
| Royale | 72 (182.9) | 112 (284.5) | 72 (182.9) | 144 (365.8) | 72 (182.9) | 144 (365.8) | 72 (182.9) | 144 (365.8) | 72 (182.9) | 144 (365.8) | 113 (287.1) | 113 (287.1) | 85 (215.9) | 86 (218.5) | 116 (294.7) | 83 (210.9) |
| Ruijn | 72 (182.9) | 27 (68.6) | 72 (182.9) | 55 (139.7) | 72 (182.9) | 144 (365.8) | 72 (182.9) | 42 (106.7) | 72 (182.9) | 144 (365.8) | 113 (287.1) | 113 (287.1) | 85 (215.9) | 86 (218.5) | 116 (294.7) | 83 (210.9) |
| S100 S1 | 73 (185.5) | 108 (274.4) | 96 (243.9) | 130 (330.2) | 96 (243.9) | 130 (330.2) | 97 (246.4) | 98 (249) | 96 (243.9) | 130 (330.2) | 113 (287.1) | 113 (287.1) | 101 (256.6) | 66 (167.7) | 101 (256.6) | 66 (167.7) |
| S300 S1 | 74 (188) | 96 (243.9) | 96 (243.9) | 123 (312.5) | 96 (243.9) | 130 (330.2) | 72 (182.9) | 110 (279.4) | 96 (243.9) | 123 (312.5) | 113 (287.1) | 113 (287.1) | 102 (259.1) | 94 (238.8) | 97 (246.4) | 128 (325.2) |
| S500 S1 | 74 (188) | 106 (269.3) | 97 (246.4) | 128 (325.2) | 97 (246.4) | 130 (330.2) | 97 (246.4) | 94 (238.8) | 97 (246.4) | 128 (325.2) | 113 (287.1) | 113 (287.1) | 102 (259.1) | 94 (238.8) | 97 (246.4) | 128 (325.2) |
| S500 S2 | 75 (190.5) | 71 (180.4) | 97 (246.4) | 90 (228.6) | 92 (233.7) | 144 (365.8) | 71 (180.4) | 95 (241.3) | 92 (233.7) | 122 (309.9) | 113 (287.1) | 113 (287.1) | 71 (180.4) | 95 (241.3) | 92 (233.7) | 122 (309.9) |
| Scripture | 85 (215.9) | 131 (332.8) | 85 (215.9) | 144 (365.8) | 85 (215.9) | 144 (365.8) | 85 (215.9) | 144 (365.8) | 85 (215.9) | 144 (365.8) | 113 (287.1) | 113 (287.1) | 95 (241.3) | 74 (188) | 95 (241.3) | 74 (188) |
| Sedona | 72 (182.9) | 97 (246.4) | 72 (182.9) | 144 (365.8) | 72 (182.9) | 144 (365.8) | 72 (182.9) | 140 (355.6) | 72 (182.9) | 144 (365.8) | 113 (287.1) | 113 (287.1) | 100 (254) | 62 (157.5) | 100 (254) | 62 (157.5) |
| SheerWeave® 1000 | 83 (210.9) | 124 (315) | 83 (210.9) | 144 (365.8) | 83 (210.9) | 144 (365.8) | 83 (210.9) | 144 (365.8) | 83 (210.9) | 144 (365.8) | 113 (287.1) | 113 (287.1) | 115 (292.1) | 110 (279.4) | 115 (292.1) | 144 (365.8) |
| SheerWeave 2000 | 79 (200.7) | 127 (322.6) | 97 (246.4) | 144 (365.8) | 97 (246.4) | 144 (365.8) | 97 (246.4) | 116 (294.7) | 97 (246.4) | 144 (365.8) | 113 (287.1) | 113 (287.1) | 110 (279.4) | 110 (279.4) | 115 (292.1) | 144 (365.8) |
| SheerWeave 2100 | 82 (208.3) | 123 (312.5) | 97 (246.4) | 144 (365.8) | 97 (246.4) | 144 (365.8) | 97 (246.4) | 110 (279.4) | 97 (246.4) | 144 (365.8) | 113 (287.1) | 113 (287.1) | 110 (279.4) | 110 (279.4) | 115 (292.1) | 144 (365.8) |
| SheerWeave 2360 | 82 (208.3) | 144 (365.8) | 97 (246.4) | 144 (365.8) | 97 (246.4) | 144 (365.8) | 97 (246.4) | 132 (335.3) | 97 (246.4) | 144 (365.8) | 113 (287.1) | 113 (287.1) | 111 (282) | 132 (335.3) | 111 (282) | 144 (365.8) |
| SheerWeave 2390 | 82 (208.3) | 129 (327.7) | 109 (276.9) | 144 (365.8) | 109 (276.9) | 144 (365.8) | 111 (282) | 132 (335.3) | 109 (276.9) | 144 (365.8) | 113 (287.1) | 113 (287.1) | 109 (276.9) | 144 (365.8) | 109 (276.9) | 144 (365.8) |
| SheerWeave Plus Performance Plus | 82 (208.3) | 129 (327.7) | 95 (241.3) | 144 (365.8) | 95 (241.3) | 144 (365.8) | 95 (241.3) | 124 (315) | 95 (241.3) | 144 (365.8) | 113 (287.1) | 113 (287.1) | 109 (276.9) | 144 (365.8) | 109 (276.9) | 144 (365.8) |
| SheerWeave 2410 | 80 (203.2) | 121 (307.4) | 107 (271.8) | 134 (340.4) | 107 (271.8) | 134 (340.4) | 110 (279.4) | 116 (294.7) | 107 (271.8) | 134 (340.4) | 113 (287.1) | 113 (287.1) | 110 (279.4) | 110 (279.4) | 115 (292.1) | 144 (365.8) |

Due to continuous manufacturing improvements, minimums and maximums are subject to change. Please call customer service for up to date size considerations. See Dual Shade section for Dual Shade motorization information.

Size Considerations

Minimum Width: 20" (50.8 cm)
Minimum Height: 13" (33.0 cm)

24 Volt Motor: Maximum Shade Size

| Valance Type | Normal Fabric Orientation | | | | | | Fabric Turned Width For Height (Railroaded) | | | | | | | | | | | | | | | | | |
|--|---------------------------|-----------------------|----------------------|-----------------------|--|-----------------------|---|-----------------------|----------------------|-----------------------|----------------------|-----------------------|----------------------|-----------------------|--|-----------------------|----------------------|-----------------------|----------------------|-----------------------|----------------------|-----------------------|-------------|------------|
| | Small Cassette | | Medium Cassette | | Large Cassette/ Square-corner Valance/ No Cassette/ No Valance | | 3" (7.7 cm) Fascia | | 4" (10.2 cm) Fascia | | Small Cassette | | Medium Cassette | | Large Cassette/ Square-corner Valance/ No Cassette/ No Valance | | 3" (7.7 cm) Fascia | | 4" (10.2 cm) Fascia | | | | | |
| | Width inches (cm) | Height inches (cm) | Width inches (cm) | Height inches (cm) | Width inches (cm) | Height inches (cm) | Width inches (cm) | Height inches (cm) | Width inches (cm) | Height inches (cm) | Width inches (cm) | Height inches (cm) | Width inches (cm) | Height inches (cm) | Width inches (cm) | Height inches (cm) | Width inches (cm) | Height inches (cm) | Width inches (cm) | Height inches (cm) | Width inches (cm) | Height inches (cm) | | |
| Fabric | 80 (203.2) | 121 (307.4) | 95 (241.3) | 144 (365.8) | 95 (241.3) | 144 (365.8) | 95 (241.3) | 144 (365.8) | 116 (294.7) | 95 (241.3) | 144 (365.8) | 80 (203.2) | 121 (307.4) | 107 (271.8) | 134 (340.4) | 107 (271.8) | 134 (340.4) | 110 (279.4) | 116 (294.7) | 107 (271.8) | 134 (340.4) | 107 (271.8) | 134 (340.4) | |
| SheerWeave 2410 Performance Plus | 80 (203.2) | 101 (256.6) | 105 (266.7) | 127 (322.6) | 102 (259.1) | 144 (365.8) | 102 (259.1) | 144 (365.8) | 124 (315) | 102 (259.1) | 144 (365.8) | 80 (203.2) | 101 (256.6) | 105 (266.7) | 127 (322.6) | 102 (259.1) | 144 (365.8) | 77 (195.6) | 124 (315) | 102 (259.1) | 144 (365.8) | 102 (259.1) | 144 (365.8) | |
| SheerWeave 2500 | 84 (213.4) | 89 (226.1) | 97 (246.4) | 114 (289.6) | 97 (246.4) | 144 (365.8) | 97 (246.4) | 144 (365.8) | 124 (315) | 97 (246.4) | 144 (365.8) | 84 (213.4) | 89 (226.1) | 109 (276.9) | 114 (289.6) | 106 (269.3) | 136 (345.5) | 79 (200.7) | 124 (315) | 106 (269.3) | 136 (345.5) | 106 (269.3) | 136 (345.5) | |
| SheerWeave 2701 | 86 (218.5) | 85 (215.9) | 97 (246.4) | 109 (276.9) | 97 (246.4) | 144 (365.8) | 97 (246.4) | 144 (365.8) | 122 (309.9) | 97 (246.4) | 144 (365.8) | 86 (218.5) | 85 (215.9) | 111 (282) | 109 (276.9) | 107 (271.8) | 135 (342.9) | 80 (203.2) | 122 (309.9) | 107 (271.8) | 135 (342.9) | 107 (271.8) | 135 (342.9) | |
| SheerWeave 2703 | 86 (218.5) | 97 (246.4) | 97 (246.4) | 124 (315) | 97 (246.4) | 144 (365.8) | 97 (246.4) | 144 (365.8) | 129 (327.7) | 97 (246.4) | 144 (365.8) | 86 (218.5) | 97 (246.4) | 112 (284.5) | 124 (315) | 109 (276.9) | 144 (365.8) | 82 (208.3) | 129 (327.7) | 109 (276.9) | 144 (365.8) | 109 (276.9) | 144 (365.8) | |
| SheerWeave 2705 | 88 (223.6) | 97 (246.4) | 97 (246.4) | 124 (315) | 97 (246.4) | 144 (365.8) | 97 (246.4) | 144 (365.8) | 140 (355.6) | 97 (246.4) | 144 (365.8) | 88 (223.6) | 97 (246.4) | 115 (292.1) | 124 (315) | 112 (284.5) | 144 (365.8) | 82 (208.3) | 140 (355.6) | 112 (284.5) | 144 (365.8) | 112 (284.5) | 144 (365.8) | |
| SheerWeave 2710 | 86 (218.5) | 85 (215.9) | 95 (241.3) | 109 (276.9) | 95 (241.3) | 144 (365.8) | 95 (241.3) | 144 (365.8) | 124 (315) | 95 (241.3) | 144 (365.8) | 86 (218.5) | 85 (215.9) | 112 (284.5) | 109 (276.9) | 108 (274.4) | 134 (340.4) | 80 (203.2) | 124 (315) | 108 (274.4) | 134 (340.4) | 108 (274.4) | 134 (340.4) | |
| SheerWeave 3000 | 86 (218.5) | 64 (162.6) | 75 (190.5) | 118 (299.8) | 100 (254) | 144 (365.8) | 100 (254) | 144 (365.8) | 94 (238.8) | 100 (254) | 144 (365.8) | 85 (215.9) | 64 (162.6) | 75 (190.5) | 118 (299.8) | 100 (254) | 135 (342.9) | 79 (200.7) | 94 (238.8) | 100 (254) | 135 (342.9) | 100 (254) | 135 (342.9) | |
| SheerWeave 4000 | 86 (218.5) | 66 (167.7) | 76 (193.1) | 123 (312.5) | 97 (246.4) | 144 (365.8) | 97 (246.4) | 144 (365.8) | 97 (246.4) | 97 (246.4) | 144 (365.8) | 86 (218.5) | 66 (167.7) | 76 (193.1) | 123 (312.5) | 100 (254) | 144 (365.8) | 80 (203.2) | 97 (246.4) | 100 (254) | 144 (365.8) | 100 (254) | 144 (365.8) | |
| SheerWeave 4100 | 84 (213.4) | 62 (157.5) | 75 (190.5) | 110 (279.4) | 99 (251.5) | 131 (332.8) | 99 (251.5) | 131 (332.8) | 91 (231.2) | 99 (251.5) | 131 (332.8) | 84 (213.4) | 62 (157.5) | 75 (190.5) | 110 (279.4) | 99 (251.5) | 131 (332.8) | 78 (198.2) | 91 (231.2) | 99 (251.5) | 131 (332.8) | 99 (251.5) | 131 (332.8) | |
| SheerWeave 4400 | 82 (208.3) | 101 (256.6) | 97 (246.4) | 130 (330.2) | 97 (246.4) | 144 (365.8) | 97 (246.4) | 144 (365.8) | 126 (320.1) | 97 (246.4) | 144 (365.8) | 82 (208.3) | 101 (256.6) | 107 (271.8) | 130 (330.2) | 107 (271.8) | 131 (332.8) | 79 (200.7) | 126 (320.1) | 107 (271.8) | 131 (332.8) | 107 (271.8) | 131 (332.8) | |
| SheerWeave 4500 | 85 (215.9) | 97 (246.4) | 97 (246.4) | 124 (315) | 97 (246.4) | 144 (365.8) | 97 (246.4) | 144 (365.8) | 122 (309.9) | 97 (246.4) | 144 (365.8) | 85 (215.9) | 97 (246.4) | 111 (282) | 124 (315) | 108 (274.4) | 144 (365.8) | 82 (208.3) | 122 (309.9) | 108 (274.4) | 144 (365.8) | 108 (274.4) | 144 (365.8) | |
| SheerWeave 4550 | 83 (210.9) | 79 (200.7) | 97 (246.4) | 101 (256.6) | 97 (246.4) | 144 (365.8) | 97 (246.4) | 144 (365.8) | 115 (292.1) | 97 (246.4) | 144 (365.8) | 83 (210.9) | 79 (200.7) | 108 (274.4) | 101 (256.6) | 100 (254) | 144 (365.8) | 77 (195.6) | 115 (292.1) | 100 (254) | 144 (365.8) | 100 (254) | 144 (365.8) | |
| SheerWeave 4600 | 85 (215.9) | 93 (236.3) | 97 (246.4) | 119 (302.3) | 97 (246.4) | 144 (365.8) | 97 (246.4) | 144 (365.8) | 121 (307.4) | 97 (246.4) | 144 (365.8) | 85 (215.9) | 93 (236.3) | 110 (279.4) | 119 (302.3) | 108 (274.4) | 136 (345.5) | 81 (205.8) | 121 (307.4) | 108 (274.4) | 136 (345.5) | 108 (274.4) | 136 (345.5) | |
| SheerWeave 4800 | 86 (218.5) | 64 (162.6) | 75 (190.5) | 121 (307.4) | 95 (241.3) | 144 (365.8) | 95 (241.3) | 144 (365.8) | 94 (238.8) | 95 (241.3) | 144 (365.8) | 86 (218.5) | 64 (162.6) | 75 (190.5) | 121 (307.4) | 101 (256.6) | 134 (340.4) | 79 (200.7) | 94 (238.8) | 101 (256.6) | 134 (340.4) | 101 (256.6) | 134 (340.4) | |
| SheerWeave 7000 | 85 (215.9) | 93 (236.3) | 110 (279.4) | 119 (302.3) | 108 (274.4) | 135 (342.9) | 108 (274.4) | 135 (342.9) | 120 (304.8) | 108 (274.4) | 135 (342.9) | 85 (215.9) | 93 (236.3) | 110 (279.4) | 119 (302.3) | 108 (274.4) | 136 (345.5) | 81 (205.8) | 121 (307.4) | 108 (274.4) | 136 (345.5) | 108 (274.4) | 136 (345.5) | |
| SheerWeave 7100 | 76 (193.1) | 106 (269.3) | 95 (241.3) | 136 (345.5) | 95 (241.3) | 144 (365.8) | 95 (241.3) | 144 (365.8) | 121 (307.4) | 95 (241.3) | 144 (365.8) | 76 (193.1) | 106 (269.3) | 95 (241.3) | 136 (345.5) | 101 (256.6) | 134 (340.4) | 79 (200.7) | 94 (238.8) | 101 (256.6) | 134 (340.4) | 101 (256.6) | 134 (340.4) | |
| Sheffield (Chelsea, Henley, Meadow, Windsor) | 72 (182.9) | 118 (299.8) | 72 (182.9) | 144 (365.8) | 72 (182.9) | 144 (365.8) | 72 (182.9) | 144 (365.8) | 144 (365.8) | 72 (182.9) | 144 (365.8) | 72 (182.9) | 118 (299.8) | 72 (182.9) | 101 (256.6) | 62 (157.5) | 101 (256.6) | 62 (157.5) | 101 (256.6) | 62 (157.5) | 101 (256.6) | 62 (157.5) | 101 (256.6) | 62 (157.5) |
| Sheffield (Eclipse, Tuscon, Weathered) | 72 (182.9) | 66 (167.7) | 72 (182.9) | 125 (317.5) | 72 (182.9) | 144 (365.8) | 72 (182.9) | 144 (365.8) | 97 (246.4) | 72 (182.9) | 144 (365.8) | 72 (182.9) | 66 (167.7) | 72 (182.9) | 101 (256.6) | 62 (157.5) | 101 (256.6) | 62 (157.5) | 101 (256.6) | 62 (157.5) | 101 (256.6) | 62 (157.5) | 101 (256.6) | 62 (157.5) |
| Stratus | 84 (213.4) | 106 (269.3) | 94 (238.8) | 136 (345.5) | 94 (238.8) | 144 (365.8) | 94 (238.8) | 144 (365.8) | 123 (312.5) | 94 (238.8) | 144 (365.8) | 84 (213.4) | 106 (269.3) | 110 (279.4) | 133 (337.9) | 108 (274.4) | 144 (365.8) | 82 (208.3) | 123 (312.5) | 108 (274.4) | 144 (365.8) | 108 (274.4) | 144 (365.8) | |
| Suburban II | 72 (182.9) | 144 (365.8) | 72 (182.9) | 144 (365.8) | 72 (182.9) | 144 (365.8) | 72 (182.9) | 144 (365.8) | 144 (365.8) | 72 (182.9) | 144 (365.8) | 72 (182.9) | 144 (365.8) | 101 (256.6) | 62 (157.5) | 62 (157.5) | 101 (256.6) | 62 (157.5) | 62 (157.5) | 101 (256.6) | 62 (157.5) | 101 (256.6) | 62 (157.5) | |
| Tranquility | 90 (228.6) | 62 (157.5) | 80 (203.2) | 116 (294.7) | 97 (246.4) | 144 (365.8) | 97 (246.4) | 144 (365.8) | 91 (231.2) | 97 (246.4) | 144 (365.8) | 90 (228.6) | 62 (157.5) | 85 (215.9) | 86 (218.5) | 116 (294.7) | 83 (210.9) | 85 (215.9) | 86 (218.5) | 116 (294.7) | 83 (210.9) | 85 (215.9) | 83 (210.9) | |
| Twine (Driftwood, Flagstone, Jewel, Metal, Oatmeal) | 93 (236.3) | 50 (127) | 83 (210.9) | 97 (246.4) | 97 (246.4) | 144 (365.8) | 97 (246.4) | 144 (365.8) | 75 (190.5) | 97 (246.4) | 142 (360.7) | 93 (236.3) | 50 (127) | 83 (210.9) | 97 (246.4) | 97 (246.4) | 142 (360.7) | 75 (190.5) | 97 (246.4) | 97 (246.4) | 142 (360.7) | 97 (246.4) | 142 (360.7) | |
| Twine (Heritage) | 91 (231.2) | 66 (167.7) | 82 (208.3) | 124 (315) | 97 (246.4) | 144 (365.8) | 97 (246.4) | 144 (365.8) | 97 (246.4) | 97 (246.4) | 144 (365.8) | 91 (231.2) | 66 (167.7) | 82 (208.3) | 124 (315) | 97 (246.4) | 144 (365.8) | 86 (218.5) | 97 (246.4) | 97 (246.4) | 144 (365.8) | 97 (246.4) | 144 (365.8) | |
| Wicker (Brownstone, Dawn, Shell, Terracotta, Thyme, Tiger's Eye) | 90 (228.6) | 64 (162.6) | 80 (203.2) | 121 (307.4) | 97 (246.4) | 144 (365.8) | 97 (246.4) | 144 (365.8) | 94 (238.8) | 97 (246.4) | 144 (365.8) | 90 (228.6) | 64 (162.6) | 86 (218.5) | 86 (218.5) | 117 (297.2) | 83 (210.9) | 86 (218.5) | 86 (218.5) | 117 (297.2) | 83 (210.9) | 86 (218.5) | 83 (210.9) | |
| Wicker (Tawny) | 90 (228.6) | 60 (152.4) | 80 (203.2) | 111 (282) | 97 (246.4) | 144 (365.8) | 97 (246.4) | 144 (365.8) | 88 (223.6) | 97 (246.4) | 144 (365.8) | 90 (228.6) | 60 (152.4) | 84 (213.4) | 86 (218.5) | 115 (292.1) | 83 (210.9) | 84 (213.4) | 86 (218.5) | 115 (292.1) | 83 (210.9) | 84 (213.4) | 83 (210.9) | |

Due to continuous manufacturing improvements, minimums and maximums are subject to change. Please call customer service for up to date size considerations. See Dual Shade section for Dual Shade motorization information.

Effective March 2016

Size Considerations

120V Standard
 Minimum Width: 24.5" (62.3 cm)
 Minimum Height: 13" (33.0 cm)

120 Volt Motor: Maximum Shade Size

| Valance Type | Normal Fabric Orientation | | | | | | Fabric Turned Width For Height (Railroaded) | | | | | | | | | | | | | | | | | | | | | |
|---|---------------------------|-----------------------|--|--|-----------------------|---|---|-----------------------|--------------------------------------|------------------------|-----------------------|--------------------------------------|----------------------|-----------------------|--|-----------------------|-----------------------|--------------------------------------|------------------------|-----------------------|--|----------------------|-----------------------|--------------------------------------|----------------------|-----------------------|---------------|---------------|
| | Medium Cassette | | | Large Cassette/ Square-corner Valance/ No Cassette/ No Valance | | | 3" (7.7 cm) Fascia | | | 4" (10.2 cm) Fascia | | | Medium Cassette | | | 3" (7.7 cm) Fascia | | | 4" (10.2 cm) Fascia | | | | | | | | | |
| | Width inches (cm) | Height inches (cm) | Large Square-corner Valance/ No Cassette/ No Valance Width inches (cm) | Width inches (cm) | Height inches (cm) | Large Square-corner Valance/ No Cassette/ No Valance Height inches (cm) | Width inches (cm) | Height inches (cm) | 3" Fascia Width inches (cm) | Width inches (cm) | Height inches (cm) | 3" Fascia Width inches (cm) | Width inches (cm) | Height inches (cm) | Medium Cassette Width inches (cm) | Width inches (cm) | Height inches (cm) | 3" Fascia Width inches (cm) | Width inches (cm) | Height inches (cm) | Medium Cassette Width inches (cm) | Width inches (cm) | Height inches (cm) | 3" Fascia Width inches (cm) | Width inches (cm) | Height inches (cm) | | |
| A100 | 96 (243.9) | 130 (330.2) | 97 (246.4) | 97 (246.4) | 98 (249) | 97 (246.4) | 97 (246.4) | 144 (365.8) | 97 (246.4) | 98 (249) | 144 (365.8) | 97 (246.4) | 97 (246.4) | 144 (365.8) | 96 (243.9) | 130 (330.2) | 144 (365.8) | 97 (246.4) | 97 (246.4) | 98 (249) | 144 (365.8) | 96 (243.9) | 130 (330.2) | 144 (365.8) | 97 (246.4) | 97 (246.4) | 144 (365.8) | |
| A300 | 95 (241.3) | 124 (315) | 96 (243.9) | 96 (243.9) | 85 (215.9) | 96 (243.9) | 96 (243.9) | 144 (365.8) | 96 (243.9) | 85 (215.9) | 144 (365.8) | 96 (243.9) | 96 (243.9) | 144 (365.8) | 95 (241.3) | 124 (315) | 144 (365.8) | 97 (246.4) | 96 (243.9) | 85 (215.9) | 144 (365.8) | 95 (241.3) | 124 (315) | 144 (365.8) | 97 (246.4) | 96 (243.9) | 144 (365.8) | |
| A500 | 96 (243.9) | 136 (345.5) | 96 (243.9) | 96 (243.9) | 94 (238.8) | 96 (243.9) | 96 (243.9) | 144 (365.8) | 96 (243.9) | 94 (238.8) | 144 (365.8) | 96 (243.9) | 96 (243.9) | 144 (365.8) | 97 (246.4) | 133 (337.9) | 144 (365.8) | 97 (246.4) | 96 (243.9) | 94 (238.8) | 144 (365.8) | 97 (246.4) | 133 (337.9) | 144 (365.8) | 97 (246.4) | 96 (243.9) | 144 (365.8) | |
| Allure | 108 (274.4) | 144 (365.8) | 108 (274.4) | 108 (274.4) | 144 (365.8) | 108 (274.4) | 108 (274.4) | 144 (365.8) | 108 (274.4) | 144 (365.8) | 108 (274.4) | 108 (274.4) | 144 (365.8) | 108 (274.4) | 128 (325.2) | 95 (241.3) | 144 (365.8) | 128 (325.2) | 128 (325.2) | 95 (241.3) | 144 (365.8) | 128 (325.2) | 128 (325.2) | 95 (241.3) | 144 (365.8) | 128 (325.2) | 95 (241.3) | |
| Aura (Aspen, Tweed) | 97 (246.4) | 74 (188) | 97 (246.4) | 97 (246.4) | 49 (124.5) | 97 (246.4) | 97 (246.4) | 144 (365.8) | 97 (246.4) | 49 (124.5) | 144 (365.8) | 97 (246.4) | 97 (246.4) | 144 (365.8) | NOT AVAILABLE | NOT AVAILABLE | NOT AVAILABLE | NOT AVAILABLE | NOT AVAILABLE | NOT AVAILABLE | NOT AVAILABLE | NOT AVAILABLE | NOT AVAILABLE | NOT AVAILABLE | NOT AVAILABLE | NOT AVAILABLE | NOT AVAILABLE | NOT AVAILABLE |
| Aura (Poetry, Sable) | 97 (246.4) | 74 (188) | 97 (246.4) | 97 (246.4) | 49 (124.5) | 97 (246.4) | 97 (246.4) | 144 (365.8) | 97 (246.4) | 49 (124.5) | 144 (365.8) | 97 (246.4) | 97 (246.4) | 144 (365.8) | NOT AVAILABLE | NOT AVAILABLE | NOT AVAILABLE | NOT AVAILABLE | NOT AVAILABLE | NOT AVAILABLE | NOT AVAILABLE | NOT AVAILABLE | NOT AVAILABLE | NOT AVAILABLE | NOT AVAILABLE | NOT AVAILABLE | NOT AVAILABLE | NOT AVAILABLE |
| B 500 | 97 (246.4) | 90 (228.6) | 97 (246.4) | 97 (246.4) | 61 (155) | 97 (246.4) | 97 (246.4) | 144 (365.8) | 97 (246.4) | 61 (155) | 144 (365.8) | 97 (246.4) | 97 (246.4) | 144 (365.8) | 97 (246.4) | 90 (228.6) | 144 (365.8) | 97 (246.4) | 97 (246.4) | 61 (155) | 144 (365.8) | 97 (246.4) | 90 (228.6) | 144 (365.8) | 97 (246.4) | 90 (228.6) | 144 (365.8) | |
| B 1000 | 97 (246.4) | 84 (213.4) | 97 (246.4) | 97 (246.4) | 57 (144.8) | 97 (246.4) | 97 (246.4) | 144 (365.8) | 97 (246.4) | 57 (144.8) | 144 (365.8) | 97 (246.4) | 97 (246.4) | 144 (365.8) | 112 (284.5) | 84 (213.4) | 144 (365.8) | 136 (345.5) | 136 (345.5) | 57 (144.8) | 144 (365.8) | 112 (284.5) | 84 (213.4) | 144 (365.8) | 136 (345.5) | 136 (345.5) | 57 (144.8) | |
| Bamboo | 97 (246.4) | 90 (228.6) | 97 (246.4) | 97 (246.4) | 61 (155) | 97 (246.4) | 97 (246.4) | 144 (365.8) | 97 (246.4) | 61 (155) | 144 (365.8) | 97 (246.4) | 97 (246.4) | 144 (365.8) | 116 (294.7) | 83 (210.9) | 144 (365.8) | 116 (294.7) | 116 (294.7) | 61 (155) | 144 (365.8) | 116 (294.7) | 83 (210.9) | 144 (365.8) | 116 (294.7) | 83 (210.9) | 144 (365.8) | |
| Brilliance | 78 (198.2) | 84 (213.4) | 78 (198.2) | 78 (198.2) | 57 (144.8) | 78 (198.2) | 78 (198.2) | 144 (365.8) | 78 (198.2) | 57 (144.8) | 144 (365.8) | 78 (198.2) | 78 (198.2) | 144 (365.8) | 116 (294.7) | 83 (210.9) | 144 (365.8) | 116 (294.7) | 116 (294.7) | 61 (155) | 144 (365.8) | 116 (294.7) | 83 (210.9) | 144 (365.8) | 116 (294.7) | 83 (210.9) | 144 (365.8) | |
| Cambidge LF 76" (193.1) (Ivory, Rainstorm) | 77 (195.6) | 144 (365.8) | 77 (195.6) | 77 (195.6) | 144 (365.8) | 77 (195.6) | 77 (195.6) | 144 (365.8) | 77 (195.6) | 144 (365.8) | 77 (195.6) | 77 (195.6) | 144 (365.8) | 77 (195.6) | 134 (340.4) | 63 (160.1) | 144 (365.8) | 134 (340.4) | 134 (340.4) | 63 (160.1) | 144 (365.8) | 134 (340.4) | 63 (160.1) | 144 (365.8) | 134 (340.4) | 63 (160.1) | 144 (365.8) | |
| Cambidge LF 92" (233.7) (Clay, Cobblestone, French Toast, Inkwell, Off White, White) | 92 (233.7) | 144 (365.8) | 92 (233.7) | 92 (233.7) | 144 (365.8) | 92 (233.7) | 92 (233.7) | 144 (365.8) | 92 (233.7) | 144 (365.8) | 92 (233.7) | 92 (233.7) | 144 (365.8) | 92 (233.7) | 131 (332.8) | 79 (200.7) | 144 (365.8) | 131 (332.8) | 131 (332.8) | 79 (200.7) | 144 (365.8) | 131 (332.8) | 79 (200.7) | 144 (365.8) | 131 (332.8) | 79 (200.7) | 144 (365.8) | |
| Cambidge RD 76" (193.1) (Ivory, Rainstorm) | 77 (195.6) | 144 (365.8) | 77 (195.6) | 77 (195.6) | 132 (335.3) | 77 (195.6) | 77 (195.6) | 144 (365.8) | 77 (195.6) | 132 (335.3) | 144 (365.8) | 77 (195.6) | 77 (195.6) | 144 (365.8) | 127 (322.6) | 63 (160.1) | 144 (365.8) | 127 (322.6) | 127 (322.6) | 63 (160.1) | 144 (365.8) | 127 (322.6) | 63 (160.1) | 144 (365.8) | 127 (322.6) | 63 (160.1) | 144 (365.8) | |
| Cambidge RD 92" (233.7) (Clay, Cobblestone, French Toast, Inkwell, Off White, White) | 92 (233.7) | 144 (365.8) | 92 (233.7) | 92 (233.7) | 132 (335.3) | 92 (233.7) | 92 (233.7) | 144 (365.8) | 92 (233.7) | 132 (335.3) | 144 (365.8) | 92 (233.7) | 92 (233.7) | 144 (365.8) | 123 (312.5) | 79 (200.7) | 144 (365.8) | 123 (312.5) | 123 (312.5) | 79 (200.7) | 144 (365.8) | 123 (312.5) | 79 (200.7) | 144 (365.8) | 123 (312.5) | 79 (200.7) | 144 (365.8) | |
| Capri | 71 (180.4) | 119 (302.3) | 71 (180.4) | 71 (180.4) | 81 (205.8) | 71 (180.4) | 71 (180.4) | 144 (365.8) | 71 (180.4) | 81 (205.8) | 144 (365.8) | 71 (180.4) | 71 (180.4) | 144 (365.8) | 109 (276.9) | 130 (330.2) | 144 (365.8) | 143 (363.3) | 143 (363.3) | 89 (226.1) | 144 (365.8) | 143 (363.3) | 89 (226.1) | 144 (365.8) | 143 (363.3) | 89 (226.1) | 144 (365.8) | |
| Cirrus | 97 (246.4) | 130 (330.2) | 97 (246.4) | 97 (246.4) | 89 (226.1) | 97 (246.4) | 97 (246.4) | 144 (365.8) | 97 (246.4) | 89 (226.1) | 144 (365.8) | 97 (246.4) | 97 (246.4) | 144 (365.8) | 109 (276.9) | 130 (330.2) | 144 (365.8) | 143 (363.3) | 143 (363.3) | 89 (226.1) | 144 (365.8) | 143 (363.3) | 89 (226.1) | 144 (365.8) | 143 (363.3) | 89 (226.1) | 144 (365.8) | |
| Contour (Alpine) | 97 (246.4) | 77 (195.6) | 97 (246.4) | 97 (246.4) | 51 (129.6) | 97 (246.4) | 97 (246.4) | 144 (365.8) | 97 (246.4) | 51 (129.6) | 144 (365.8) | 97 (246.4) | 97 (246.4) | 144 (365.8) | 109 (276.9) | 130 (330.2) | 144 (365.8) | 143 (363.3) | 143 (363.3) | 89 (226.1) | 144 (365.8) | 143 (363.3) | 89 (226.1) | 144 (365.8) | 143 (363.3) | 89 (226.1) | 144 (365.8) | |
| Contour (Essence, Maple, Natural, Smoke, Smudge) | 97 (246.4) | 62 (157.5) | 97 (246.4) | 97 (246.4) | 41 (104.2) | 97 (246.4) | 97 (246.4) | 144 (365.8) | 97 (246.4) | 41 (104.2) | 144 (365.8) | 97 (246.4) | 97 (246.4) | 144 (365.8) | 109 (276.9) | 130 (330.2) | 144 (365.8) | 143 (363.3) | 143 (363.3) | 89 (226.1) | 144 (365.8) | 143 (363.3) | 89 (226.1) | 144 (365.8) | 143 (363.3) | 89 (226.1) | 144 (365.8) | |
| Crossweave | 72 (182.9) | 136 (345.5) | 72 (182.9) | 72 (182.9) | 94 (238.8) | 72 (182.9) | 72 (182.9) | 144 (365.8) | 72 (182.9) | 94 (238.8) | 144 (365.8) | 72 (182.9) | 72 (182.9) | 144 (365.8) | 133 (337.9) | 59 (149.9) | 144 (365.8) | 133 (337.9) | 133 (337.9) | 59 (149.9) | 144 (365.8) | 133 (337.9) | 59 (149.9) | 144 (365.8) | 133 (337.9) | 59 (149.9) | 144 (365.8) | |
| Crystalline | 77 (195.6) | 144 (365.8) | 77 (195.6) | 77 (195.6) | 144 (365.8) | 77 (195.6) | 77 (195.6) | 144 (365.8) | 77 (195.6) | 144 (365.8) | 77 (195.6) | 77 (195.6) | 144 (365.8) | 77 (195.6) | 133 (337.9) | 63 (160.1) | 144 (365.8) | 133 (337.9) | 133 (337.9) | 63 (160.1) | 144 (365.8) | 133 (337.9) | 63 (160.1) | 144 (365.8) | 133 (337.9) | 63 (160.1) | 144 (365.8) | |
| Crystalline Essence | 77 (195.6) | 144 (365.8) | 77 (195.6) | 77 (195.6) | 144 (365.8) | 77 (195.6) | 77 (195.6) | 144 (365.8) | 77 (195.6) | 144 (365.8) | 77 (195.6) | 77 (195.6) | 144 (365.8) | 77 (195.6) | 133 (337.9) | 63 (160.1) | 144 (365.8) | 133 (337.9) | 133 (337.9) | 63 (160.1) | 144 (365.8) | 133 (337.9) | 63 (160.1) | 144 (365.8) | 133 (337.9) | 63 (160.1) | 144 (365.8) | |
| Cumulus | 96 (243.9) | 90 (228.6) | 96 (243.9) | 96 (243.9) | 61 (155) | 96 (243.9) | 96 (243.9) | 144 (365.8) | 96 (243.9) | 61 (155) | 144 (365.8) | 96 (243.9) | 96 (243.9) | 144 (365.8) | 117 (297.2) | 83 (210.9) | 144 (365.8) | 117 (297.2) | 117 (297.2) | 61 (155) | 144 (365.8) | 117 (297.2) | 83 (210.9) | 144 (365.8) | 117 (297.2) | 83 (210.9) | 144 (365.8) | |
| Debut | 85 (215.9) | 144 (365.8) | 85 (215.9) | 85 (215.9) | 116 (294.7) | 85 (215.9) | 85 (215.9) | 144 (365.8) | 85 (215.9) | 116 (294.7) | 144 (365.8) | 85 (215.9) | 85 (215.9) | 144 (365.8) | 117 (297.2) | 83 (210.9) | 144 (365.8) | 117 (297.2) | 117 (297.2) | 61 (155) | 144 (365.8) | 117 (297.2) | 83 (210.9) | 144 (365.8) | 117 (297.2) | 83 (210.9) | 144 (365.8) | |
| E Screen 1% | 97 (246.4) | 144 (365.8) | 97 (246.4) | 97 (246.4) | 110 (279.4) | 97 (246.4) | 97 (246.4) | 144 (365.8) | 97 (246.4) | 110 (279.4) | 144 (365.8) | 97 (246.4) | 97 (246.4) | 144 (365.8) | 117 (297.2) | 83 (210.9) | 144 (365.8) | 117 (297.2) | 117 (297.2) | 61 (155) | 144 (365.8) | 117 (297.2) | 83 (210.9) | 144 (365.8) | 117 (297.2) | 83 (210.9) | 144 (365.8) | |
| E Screen 3% | 97 (246.4) | 144 (365.8) | 97 (246.4) | 97 (246.4) | 110 (279.4) | 97 (246.4) | 97 (246.4) | 144 (365.8) | 97 (246.4) | 110 (279.4) | 144 (365.8) | 97 (246.4) | 97 (246.4) | 144 (365.8) | 117 (297.2) | 83 (210.9) | 144 (365.8) | 117 (297.2) | 117 (297.2) | 61 (155) | 144 (365.8) | 117 (297.2) | 83 (210.9) | 144 (365.8) | 117 (297.2) | 83 (210.9) | 144 (365.8) | |
| Elements | 108 (274.4) | 144 (365.8) | 108 (274.4) | 108 (274.4) | 98 (249) | 108 (274.4) | 108 (274.4) | 144 (365.8) | 108 (274.4) | 98 (249) | 144 (365.8) | 108 (274.4) | 108 (274.4) | 144 (365.8) | 107 (271.8) | 144 (365.8) | 144 (365.8) | 143 (363.3) | 143 (363.3) | 144 (365.8) | 144 (365.8) | 143 (363.3) | 144 (365.8) | 143 (363.3) | 144 (365.8) | 143 (363.3) | 144 (365.8) | |
| Essential | 70 (177.8) | 144 (365.8) | 70 (177.8) | 70 (177.8) | 144 (365.8) | 70 (177.8) | 70 (177.8) | 144 (365.8) | 70 (177.8) | 144 (365.8) | 70 (177.8) | 70 (177.8) | 144 (365.8) | 70 (177.8) | 107 (271.8) | 144 (365.8) | 144 (365.8) | 143 (363.3) | 143 (363.3) | 144 (365.8) | 144 (365.8) | 143 (363.3) | 144 (365.8) | 143 (363.3) | 144 (365.8) | 143 (363.3) | 144 (365.8) | |
| Eventide | 110 (279.4) | 119 (302.3) | 110 (279.4) | 110 (279.4) | 81 (205.8) | 110 (279.4) | 110 (279.4) | 144 (365.8) | 110 (279.4) | 81 (205.8) | 144 (365.8) | 110 (279.4) | 110 (279.4) | 144 (365.8) | 117 (297.2) | 83 (210.9) | 144 (365.8) | 117 (297.2) | 117 (297.2) | 83 (210.9) | 144 (365.8) | 117 (297.2) | 83 (210.9) | 144 (365.8) | 117 (297.2) | 83 (210.9) | 144 (365.8) | |

Due to continuous manufacturing improvements, minimums and maximums are subject to change. Please call customer service for up to date size considerations. See Dual Shade section for Dual Shade motorization information.

Size Considerations

120V RTS
 Minimum Width: 24.5" (62.3 cm)
 Minimum Height: 13" (33.0 cm)

120V Standard
 Minimum Width: 23" (58.5)
 Minimum Height: 13" (33.0 cm)

120 Volt Motor: Maximum Shade Size

| Valance Type | Normal Fabric Orientation | | | | | | Fabric Turned Width For Height (Railroaded) | | | | | | | |
|--|---------------------------|-----------------------|--|-----------------------|-----------------------|-----------------------|---|-----------------------|----------------------|-----------------------|-----------------------|-----------------------|------------------------|-----------------------|
| | Medium Cassette | | Large Cassette/ Square-corner Valance/ No Cassette/ No Valance | | 3" (7.7 cm) Fascia | | 4" (10.2 cm) Fascia | | Medium Cassette | | 3" (7.7 cm) Fascia | | 4" (10.2 cm) Fascia | |
| | Width inches (cm) | Height inches (cm) | Width inches (cm) | Height inches (cm) | Width inches (cm) | Height inches (cm) | Width inches (cm) | Height inches (cm) | Width inches (cm) | Height inches (cm) | Width inches (cm) | Height inches (cm) | Width inches (cm) | Height inches (cm) |
| Fern | 97 (246.4) | 77 (195.6) | 97 (246.4) | 144 (365.8) | 97 (246.4) | 51 (129.6) | 97 (246.4) | 144 (365.8) | 97 (246.4) | 116 (294.7) | 77 (195.6) | 124 (315) | 116 (294.7) | 83 (210.9) |
| Harmony | 92 (233.7) | 144 (365.8) | 92 (233.7) | 144 (365.8) | 92 (233.7) | 144 (365.8) | 92 (233.7) | 144 (365.8) | 92 (233.7) | 118 (299.8) | 116 (294.7) | 124 (315) | 116 (294.7) | 83 (210.9) |
| Linen (Burlap, Cream) | 97 (246.4) | 52 (132.1) | 97 (246.4) | 144 (365.8) | 97 (246.4) | 34 (86.4) | 97 (246.4) | 118 (299.8) | 97 (246.4) | NOT AVAILABLE | NOT AVAILABLE | NOT AVAILABLE | NOT AVAILABLE | NOT AVAILABLE |
| Linen (Cinnamon, Cranberry, Fig, Topaz) | 97 (246.4) | 72 (182.9) | 97 (246.4) | 144 (365.8) | 97 (246.4) | 48 (122) | 97 (246.4) | 144 (365.8) | 97 (246.4) | NOT AVAILABLE | NOT AVAILABLE | NOT AVAILABLE | NOT AVAILABLE | NOT AVAILABLE |
| M Screen 3% | 109 (276.9) | 136 (345.5) | 120 (304.8) | 144 (365.8) | 113 (287.1) | 110 (279.4) | 120 (304.8) | 144 (365.8) | 144 (365.8) | NOT AVAILABLE | NOT AVAILABLE | NOT AVAILABLE | NOT AVAILABLE | NOT AVAILABLE |
| M Screen 5% | 109 (276.9) | 136 (345.5) | 120 (304.8) | 144 (365.8) | 115 (292.1) | 98 (249) | 120 (304.8) | 144 (365.8) | 144 (365.8) | NOT AVAILABLE | NOT AVAILABLE | NOT AVAILABLE | NOT AVAILABLE | NOT AVAILABLE |
| Marquesa | 97 (246.4) | 62 (157.5) | 97 (246.4) | 144 (365.8) | 97 (246.4) | 41 (104.2) | 97 (246.4) | 139 (353.1) | 109 (276.9) | NOT AVAILABLE | NOT AVAILABLE | NOT AVAILABLE | NOT AVAILABLE | NOT AVAILABLE |
| Menagerie (Birch, Rockefeller) | 97 (246.4) | 64 (162.6) | 97 (246.4) | 144 (365.8) | 97 (246.4) | 42 (106.7) | 97 (246.4) | 142 (360.7) | 109 (276.9) | NOT AVAILABLE | NOT AVAILABLE | NOT AVAILABLE | NOT AVAILABLE | NOT AVAILABLE |
| Menagerie (Derby, Rust) | 97 (246.4) | 50 (127) | 97 (246.4) | 144 (365.8) | 97 (246.4) | 32 (81.3) | 97 (246.4) | 113 (287.1) | 109 (276.9) | NOT AVAILABLE | NOT AVAILABLE | NOT AVAILABLE | NOT AVAILABLE | NOT AVAILABLE |
| Menagerie (Haystack, Silverstone, Southern Wind) | 97 (246.4) | 79 (200.7) | 97 (246.4) | 144 (365.8) | 97 (246.4) | 53 (134.7) | 97 (246.4) | 144 (365.8) | 109 (276.9) | NOT AVAILABLE | NOT AVAILABLE | NOT AVAILABLE | NOT AVAILABLE | NOT AVAILABLE |
| Monaco | 77 (195.6) | 144 (365.8) | 77 (195.6) | 144 (365.8) | 77 (195.6) | 144 (365.8) | 77 (195.6) | 144 (365.8) | 134 (340.4) | 63 (160.1) | 134 (340.4) | 63 (160.1) | 134 (340.4) | 63 (160.1) |
| Monticello | 96 (243.9) | 66 (167.7) | 96 (243.9) | 144 (365.8) | 96 (243.9) | 43 (109.3) | 96 (243.9) | 144 (365.8) | 119 (302.3) | 66 (167.7) | 114 (289.6) | 43 (109.3) | 114 (289.6) | 83 (210.9) |
| Opulent | 96 (243.9) | 144 (365.8) | 96 (243.9) | 144 (365.8) | 96 (243.9) | 144 (365.8) | 96 (243.9) | 144 (365.8) | 96 (243.9) | NOT AVAILABLE | NOT AVAILABLE | NOT AVAILABLE | NOT AVAILABLE | NOT AVAILABLE |
| Origins | 97 (246.4) | 79 (200.7) | 97 (246.4) | 144 (365.8) | 97 (246.4) | 53 (134.7) | 97 (246.4) | 144 (365.8) | 97 (246.4) | NOT AVAILABLE | NOT AVAILABLE | NOT AVAILABLE | NOT AVAILABLE | NOT AVAILABLE |
| Prairie | 108 (274.4) | 144 (365.8) | 108 (274.4) | 144 (365.8) | 108 (274.4) | 116 (294.7) | 108 (274.4) | 144 (365.8) | 108 (274.4) | NOT AVAILABLE | NOT AVAILABLE | NOT AVAILABLE | NOT AVAILABLE | NOT AVAILABLE |
| Riverbend | 72 (182.9) | 87 (221) | 72 (182.9) | 144 (365.8) | 72 (182.9) | 59 (149.9) | 72 (182.9) | 144 (365.8) | 72 (182.9) | NOT AVAILABLE | NOT AVAILABLE | NOT AVAILABLE | NOT AVAILABLE | NOT AVAILABLE |
| Royale | 72 (182.9) | 143 (363.3) | 72 (182.9) | 144 (365.8) | 72 (182.9) | 98 (249) | 72 (182.9) | 144 (365.8) | 72 (182.9) | NOT AVAILABLE | NOT AVAILABLE | NOT AVAILABLE | NOT AVAILABLE | NOT AVAILABLE |
| Rujin | 72 (182.9) | 34 (86.4) | 72 (182.9) | 108 (274.4) | 72 (182.9) | 21 (53.4) | 72 (182.9) | 82 (208.3) | 72 (182.9) | NOT AVAILABLE | NOT AVAILABLE | NOT AVAILABLE | NOT AVAILABLE | NOT AVAILABLE |
| S100 S1 | 96 (243.9) | 130 (330.2) | 97 (246.4) | 144 (365.8) | 97 (246.4) | 98 (249) | 97 (246.4) | 144 (365.8) | 96 (243.9) | 130 (330.2) | 126 (320.1) | 101 (256.6) | 126 (320.1) | 144 (365.8) |
| S300 S1 | 96 (243.9) | 123 (312.5) | 97 (246.4) | 144 (365.8) | 97 (246.4) | 85 (215.9) | 97 (246.4) | 144 (365.8) | 96 (243.9) | 123 (312.5) | 125 (317.5) | 102 (259.1) | 125 (317.5) | 144 (365.8) |
| S500 S1 | 97 (246.4) | 128 (325.2) | 97 (246.4) | 144 (365.8) | 97 (246.4) | 94 (238.8) | 97 (246.4) | 144 (365.8) | 97 (246.4) | 128 (325.2) | 127 (322.6) | 104 (264.2) | 127 (322.6) | 144 (365.8) |
| S500 S2 | 97 (246.4) | 90 (228.6) | 97 (246.4) | 144 (365.8) | 97 (246.4) | 61 (155) | 97 (246.4) | 130 (330.2) | 97 (246.4) | 90 (228.6) | 120 (304.8) | 104 (264.2) | 122 (309.9) | 130 (330.2) |
| Scripture | 85 (215.9) | 144 (365.8) | 85 (215.9) | 144 (365.8) | 85 (215.9) | 116 (294.7) | 85 (215.9) | 144 (365.8) | 127 (322.6) | 71 (180.4) | 127 (322.6) | 71 (180.4) | 127 (322.6) | 71 (180.4) |
| Sedona | 72 (182.9) | 124 (315) | 72 (182.9) | 144 (365.8) | 72 (182.9) | 85 (215.9) | 72 (182.9) | 144 (365.8) | 133 (337.9) | 59 (149.9) | 133 (337.9) | 59 (149.9) | 133 (337.9) | 59 (149.9) |
| SheerWeave® 1000 | 83 (210.9) | 144 (365.8) | 83 (210.9) | 144 (365.8) | 83 (210.9) | 110 (279.4) | 83 (210.9) | 144 (365.8) | 115 (292.1) | 144 (365.8) | 120 (304.8) | 144 (365.8) | 144 (365.8) | 144 (365.8) |
| SheerWeave 2000 | 97 (246.4) | 144 (365.8) | 97 (246.4) | 144 (365.8) | 97 (246.4) | 116 (294.7) | 97 (246.4) | 144 (365.8) | 107 (271.8) | 132 (335.3) | 141 (358.2) | 144 (365.8) | 144 (365.8) | 144 (365.8) |
| SheerWeave 2100 | 97 (246.4) | 144 (365.8) | 97 (246.4) | 144 (365.8) | 97 (246.4) | 110 (279.4) | 97 (246.4) | 144 (365.8) | 108 (274.4) | 144 (365.8) | 144 (365.8) | 144 (365.8) | 144 (365.8) | 144 (365.8) |
| SheerWeave 2360 | 97 (246.4) | 144 (365.8) | 97 (246.4) | 144 (365.8) | 97 (246.4) | 132 (335.3) | 97 (246.4) | 144 (365.8) | 111 (282) | 144 (365.8) | 144 (365.8) | 144 (365.8) | 144 (365.8) | 144 (365.8) |
| SheerWeave 2390 | 109 (276.9) | 144 (365.8) | 125 (317.5) | 144 (365.8) | 111 (282) | 132 (335.3) | 125 (317.5) | 144 (365.8) | 109 (276.9) | 144 (365.8) | 144 (365.8) | 144 (365.8) | 144 (365.8) | 144 (365.8) |
| SheerWeave 2390 Performance Plus | 95 (241.3) | 144 (365.8) | 95 (241.3) | 144 (365.8) | 95 (241.3) | 124 (315) | 95 (241.3) | 144 (365.8) | 109 (276.9) | 144 (365.8) | 144 (365.8) | 144 (365.8) | 144 (365.8) | 144 (365.8) |
| SheerWeave 2410 | 107 (271.8) | 134 (340.4) | 125 (317.5) | 144 (365.8) | 110 (279.4) | 116 (294.7) | 125 (317.5) | 144 (365.8) | 107 (271.8) | 134 (340.4) | 141 (358.2) | 144 (365.8) | 141 (358.2) | 144 (365.8) |

Due to continuous manufacturing improvements, minimums and maximums are subject to change. Please call customer service for up to date size considerations. See Dual Shade section for Dual Shade motorization information.

Size Considerations

120V Standard
 Minimum Width: 24.5" (62.3 cm)
 Minimum Height: 13" (33.0 cm)

120V Standard
 Minimum Width: 23" (58.5)
 Minimum Height: 13" (33.0 cm)

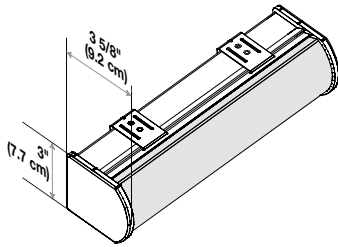
120 Volt Motor: Maximum Shade Size

| Valance Type | Normal Fabric Orientation | | | | | | | | | | | | Fabric Turned Width For Height (Railroaded) | | | | | | | | | | | | | | | | | | | | | |
|---|---------------------------|-----------------------|----------------------|-----------------------|--|-----------------------|----------------------|-----------------------|-----------------------|-----------------------|----------------------|-----------------------|---|-----------------------|----------------------|-----------------------|----------------------|-----------------------|----------------------|-----------------------|--|-----------------------|----------------------|-----------------------|-----------------------|-----------------------|----------------------|-----------------------|------------------------|-----------------------|----------------------|-----------------------|-------------|-------------|
| | Medium Cassette | | | | Large Cassette/ Square-corner Valance/ No Cassette/ No Valance | | | | 3" (7.7 cm) Fascia | | | | 4" (10.2 cm) Fascia | | | | Medium Cassette | | | | Large Cassette/ Square-corner Valance/ No Cassette/ No Valance | | | | 3" (7.7 cm) Fascia | | | | 4" (10.2 cm) Fascia | | | | | |
| | Width inches (cm) | Height inches (cm) | Width inches (cm) | Height inches (cm) | Width inches (cm) | Height inches (cm) | Width inches (cm) | Height inches (cm) | Width inches (cm) | Height inches (cm) | Width inches (cm) | Height inches (cm) | Width inches (cm) | Height inches (cm) | Width inches (cm) | Height inches (cm) | Width inches (cm) | Height inches (cm) | Width inches (cm) | Height inches (cm) | Width inches (cm) | Height inches (cm) | Width inches (cm) | Height inches (cm) | Width inches (cm) | Height inches (cm) | Width inches (cm) | Height inches (cm) | Width inches (cm) | Height inches (cm) | Width inches (cm) | Height inches (cm) | | |
| SheerWeave 2410 Performance Plus | 95 (241.3) | 144 (365.8) | 95 (241.3) | 144 (365.8) | 95 (241.3) | 116 (294.7) | 95 (241.3) | 144 (365.8) | 107 (271.8) | 134 (340.4) | 141 (358.2) | 144 (365.8) | 141 (358.2) | 144 (365.8) | 110 (279.4) | 116 (294.7) | 141 (358.2) | 144 (365.8) | 107 (271.8) | 134 (340.4) | 141 (358.2) | 144 (365.8) | 110 (279.4) | 116 (294.7) | 141 (358.2) | 144 (365.8) | 138 (350.6) | 144 (365.8) | 138 (350.6) | 144 (365.8) | 110 (279.4) | 116 (294.7) | 141 (358.2) | 144 (365.8) |
| SheerWeave 2500 | 105 (266.7) | 127 (322.6) | 125 (317.5) | 144 (365.8) | 112 (284.5) | 89 (226.1) | 125 (317.5) | 144 (365.8) | 105 (266.7) | 127 (322.6) | 138 (350.6) | 144 (365.8) | 138 (350.6) | 144 (365.8) | 112 (284.5) | 89 (226.1) | 138 (350.6) | 144 (365.8) | 105 (266.7) | 127 (322.6) | 138 (350.6) | 144 (365.8) | 112 (284.5) | 89 (226.1) | 138 (350.6) | 144 (365.8) | 140 (355.6) | 144 (365.8) | 140 (355.6) | 144 (365.8) | 112 (284.5) | 89 (226.1) | 138 (350.6) | 144 (365.8) |
| SheerWeave 2701 | 97 (246.4) | 114 (289.6) | 97 (246.4) | 144 (365.8) | 97 (246.4) | 78 (198.2) | 97 (246.4) | 144 (365.8) | 109 (276.9) | 114 (289.6) | 140 (355.6) | 144 (365.8) | 140 (355.6) | 144 (365.8) | 117 (297.2) | 78 (198.2) | 140 (355.6) | 144 (365.8) | 109 (276.9) | 114 (289.6) | 140 (355.6) | 144 (365.8) | 117 (297.2) | 78 (198.2) | 140 (355.6) | 144 (365.8) | 141 (358.2) | 144 (365.8) | 141 (358.2) | 144 (365.8) | 117 (297.2) | 78 (198.2) | 141 (358.2) | 144 (365.8) |
| SheerWeave® 2705 | 97 (246.4) | 124 (315) | 97 (246.4) | 144 (365.8) | 97 (246.4) | 74 (188) | 97 (246.4) | 144 (365.8) | 111 (282) | 109 (276.9) | 141 (358.2) | 144 (365.8) | 141 (358.2) | 144 (365.8) | 119 (302.3) | 74 (188) | 141 (358.2) | 144 (365.8) | 109 (276.9) | 111 (282) | 141 (358.2) | 144 (365.8) | 119 (302.3) | 74 (188) | 141 (358.2) | 144 (365.8) | 141 (358.2) | 144 (365.8) | 141 (358.2) | 144 (365.8) | 119 (302.3) | 74 (188) | 141 (358.2) | 144 (365.8) |
| SheerWeave 2710 | 97 (246.4) | 124 (315) | 97 (246.4) | 144 (365.8) | 97 (246.4) | 85 (215.9) | 97 (246.4) | 144 (365.8) | 115 (292.1) | 124 (315) | 144 (365.8) | 144 (365.8) | 144 (365.8) | 144 (365.8) | 121 (307.4) | 85 (215.9) | 144 (365.8) | 144 (365.8) | 115 (292.1) | 124 (315) | 144 (365.8) | 144 (365.8) | 121 (307.4) | 85 (215.9) | 144 (365.8) | 144 (365.8) | 144 (365.8) | 144 (365.8) | 144 (365.8) | 144 (365.8) | 144 (365.8) | 144 (365.8) | 144 (365.8) | |
| SheerWeave 3000 | 95 (241.3) | 109 (276.9) | 95 (241.3) | 144 (365.8) | 95 (241.3) | 74 (188) | 95 (241.3) | 144 (365.8) | 112 (284.5) | 109 (276.9) | 142 (360.7) | 144 (365.8) | 142 (360.7) | 144 (365.8) | 119 (302.3) | 74 (188) | 144 (365.8) | 144 (365.8) | 112 (284.5) | 109 (276.9) | 142 (360.7) | 144 (365.8) | 119 (302.3) | 74 (188) | 144 (365.8) | 144 (365.8) | 142 (360.7) | 144 (365.8) | 142 (360.7) | 144 (365.8) | 144 (365.8) | 144 (365.8) | 144 (365.8) | |
| SheerWeave 4000 | 110 (279.4) | 82 (208.3) | 125 (317.5) | 144 (365.8) | 118 (299.8) | 55 (139.7) | 125 (317.5) | 144 (365.8) | 110 (279.4) | 82 (208.3) | 133 (337.9) | 144 (365.8) | 133 (337.9) | 144 (365.8) | 118 (299.8) | 55 (139.7) | 144 (365.8) | 144 (365.8) | 110 (279.4) | 82 (208.3) | 133 (337.9) | 144 (365.8) | 118 (299.8) | 55 (139.7) | 144 (365.8) | 144 (365.8) | 144 (365.8) | 144 (365.8) | 144 (365.8) | 144 (365.8) | 144 (365.8) | 144 (365.8) | 144 (365.8) | |
| SheerWeave 4100 | 97 (246.4) | 84 (213.4) | 97 (246.4) | 144 (365.8) | 97 (246.4) | 57 (144.8) | 97 (246.4) | 144 (365.8) | 112 (284.5) | 84 (213.4) | 136 (345.5) | 144 (365.8) | 136 (345.5) | 144 (365.8) | 119 (302.3) | 57 (144.8) | 144 (365.8) | 144 (365.8) | 112 (284.5) | 84 (213.4) | 136 (345.5) | 144 (365.8) | 119 (302.3) | 57 (144.8) | 144 (365.8) | 144 (365.8) | 140 (355.6) | 144 (365.8) | 140 (355.6) | 144 (365.8) | 144 (365.8) | 144 (365.8) | 144 (365.8) | |
| SheerWeave 4400 | 110 (279.4) | 79 (200.7) | 125 (317.5) | 144 (365.8) | 118 (299.8) | 53 (134.7) | 125 (317.5) | 144 (365.8) | 110 (279.4) | 79 (200.7) | 131 (332.8) | 144 (365.8) | 131 (332.8) | 144 (365.8) | 118 (299.8) | 53 (134.7) | 144 (365.8) | 144 (365.8) | 110 (279.4) | 79 (200.7) | 131 (332.8) | 144 (365.8) | 118 (299.8) | 53 (134.7) | 144 (365.8) | 144 (365.8) | 140 (355.6) | 144 (365.8) | 140 (355.6) | 144 (365.8) | 144 (365.8) | 144 (365.8) | 144 (365.8) | |
| SheerWeave 4500 | 97 (246.4) | 130 (330.2) | 97 (246.4) | 144 (365.8) | 97 (246.4) | 89 (226.1) | 97 (246.4) | 144 (365.8) | 107 (271.8) | 130 (330.2) | 141 (358.2) | 144 (365.8) | 141 (358.2) | 144 (365.8) | 115 (292.1) | 89 (226.1) | 144 (365.8) | 144 (365.8) | 107 (271.8) | 130 (330.2) | 141 (358.2) | 144 (365.8) | 115 (292.1) | 89 (226.1) | 144 (365.8) | 144 (365.8) | 141 (358.2) | 144 (365.8) | 141 (358.2) | 144 (365.8) | 144 (365.8) | 144 (365.8) | 144 (365.8) | |
| SheerWeave 4550 | 97 (246.4) | 124 (315) | 97 (246.4) | 144 (365.8) | 97 (246.4) | 85 (215.9) | 97 (246.4) | 144 (365.8) | 111 (282) | 124 (315) | 144 (365.8) | 144 (365.8) | 144 (365.8) | 144 (365.8) | 118 (299.8) | 85 (215.9) | 144 (365.8) | 144 (365.8) | 111 (282) | 124 (315) | 144 (365.8) | 144 (365.8) | 118 (299.8) | 85 (215.9) | 144 (365.8) | 144 (365.8) | 144 (365.8) | 144 (365.8) | 144 (365.8) | 144 (365.8) | 144 (365.8) | 144 (365.8) | 144 (365.8) | |
| SheerWeave 4600 | 97 (246.4) | 101 (256.6) | 97 (246.4) | 144 (365.8) | 97 (246.4) | 68 (172.8) | 97 (246.4) | 144 (365.8) | 108 (274.4) | 101 (256.6) | 136 (345.5) | 144 (365.8) | 136 (345.5) | 144 (365.8) | 116 (294.7) | 68 (172.8) | 144 (365.8) | 144 (365.8) | 108 (274.4) | 101 (256.6) | 136 (345.5) | 144 (365.8) | 116 (294.7) | 68 (172.8) | 144 (365.8) | 144 (365.8) | 143 (363.3) | 144 (365.8) | 143 (363.3) | 144 (365.8) | 144 (365.8) | 144 (365.8) | | |
| SheerWeave 4650 | 97 (246.4) | 119 (302.3) | 97 (246.4) | 144 (365.8) | 97 (246.4) | 81 (205.8) | 97 (246.4) | 144 (365.8) | 110 (279.4) | 119 (302.3) | 143 (363.3) | 144 (365.8) | 143 (363.3) | 144 (365.8) | 118 (299.8) | 81 (205.8) | 144 (365.8) | 144 (365.8) | 110 (279.4) | 119 (302.3) | 143 (363.3) | 144 (365.8) | 118 (299.8) | 81 (205.8) | 144 (365.8) | 144 (365.8) | 143 (363.3) | 144 (365.8) | 143 (363.3) | 144 (365.8) | 144 (365.8) | 144 (365.8) | | |
| SheerWeave 4800 | 95 (241.3) | 82 (208.3) | 95 (241.3) | 144 (365.8) | 95 (241.3) | 55 (139.7) | 95 (241.3) | 144 (365.8) | 117 (297.2) | 81 (205.8) | 144 (365.8) | 144 (365.8) | 144 (365.8) | 144 (365.8) | 119 (302.3) | 55 (139.7) | 144 (365.8) | 144 (365.8) | 95 (241.3) | 82 (208.3) | 144 (365.8) | 144 (365.8) | 119 (302.3) | 55 (139.7) | 144 (365.8) | 144 (365.8) | 140 (355.6) | 144 (365.8) | 140 (355.6) | 144 (365.8) | 144 (365.8) | 144 (365.8) | | |
| SheerWeave 7000 | 110 (279.4) | 119 (302.3) | 117 (297.2) | 144 (365.8) | 117 (297.2) | 81 (205.8) | 117 (297.2) | 144 (365.8) | 111 (282) | 82 (208.3) | 134 (340.4) | 144 (365.8) | 134 (340.4) | 144 (365.8) | 119 (302.3) | 81 (205.8) | 144 (365.8) | 144 (365.8) | 111 (282) | 82 (208.3) | 134 (340.4) | 144 (365.8) | 119 (302.3) | 81 (205.8) | 144 (365.8) | 144 (365.8) | 143 (363.3) | 144 (365.8) | 143 (363.3) | 144 (365.8) | 144 (365.8) | 144 (365.8) | | |
| SheerWeave 7100 | 95 (241.3) | 136 (345.5) | 95 (241.3) | 144 (365.8) | 95 (241.3) | 94 (238.8) | 95 (241.3) | 144 (365.8) | 111 (282) | 82 (208.3) | 134 (340.4) | 144 (365.8) | 134 (340.4) | 144 (365.8) | 119 (302.3) | 94 (238.8) | 144 (365.8) | 144 (365.8) | 95 (241.3) | 136 (345.5) | 144 (365.8) | 144 (365.8) | 119 (302.3) | 94 (238.8) | 144 (365.8) | 144 (365.8) | 143 (363.3) | 144 (365.8) | 143 (363.3) | 144 (365.8) | 144 (365.8) | 144 (365.8) | | |
| Sheffield (Chelsea, Henley, Meadow, Windsor) | 72 (182.9) | 144 (365.8) | 72 (182.9) | 144 (365.8) | 72 (182.9) | 104 (264.2) | 72 (182.9) | 144 (365.8) | 72 (182.9) | 144 (365.8) | 144 (365.8) | 144 (365.8) | 144 (365.8) | 144 (365.8) | 117 (297.2) | 72 (182.9) | 144 (365.8) | 144 (365.8) | 72 (182.9) | 144 (365.8) | 144 (365.8) | 144 (365.8) | 117 (297.2) | 72 (182.9) | 144 (365.8) | 144 (365.8) | 134 (340.4) | 144 (365.8) | 134 (340.4) | 144 (365.8) | 144 (365.8) | 144 (365.8) | | |
| Sheffield (Eclipse, Tuscon, Weathered) | 72 (182.9) | 84 (213.4) | 72 (182.9) | 144 (365.8) | 72 (182.9) | 57 (144.8) | 72 (182.9) | 144 (365.8) | 72 (182.9) | 144 (365.8) | 144 (365.8) | 144 (365.8) | 144 (365.8) | 144 (365.8) | 72 (182.9) | 57 (144.8) | 144 (365.8) | 144 (365.8) | 72 (182.9) | 144 (365.8) | 144 (365.8) | 144 (365.8) | 72 (182.9) | 57 (144.8) | 144 (365.8) | 144 (365.8) | 134 (340.4) | 144 (365.8) | 134 (340.4) | 144 (365.8) | 144 (365.8) | 144 (365.8) | | |
| Stratus | 94 (238.8) | 136 (345.5) | 94 (238.8) | 144 (365.8) | 94 (238.8) | 94 (238.8) | 94 (238.8) | 144 (365.8) | 94 (238.8) | 136 (345.5) | 144 (365.8) | 144 (365.8) | 144 (365.8) | 144 (365.8) | 94 (238.8) | 94 (238.8) | 144 (365.8) | 144 (365.8) | 94 (238.8) | 136 (345.5) | 144 (365.8) | 144 (365.8) | 94 (238.8) | 94 (238.8) | 144 (365.8) | 144 (365.8) | 144 (365.8) | 144 (365.8) | 144 (365.8) | 144 (365.8) | 144 (365.8) | 144 (365.8) | 144 (365.8) | |
| Suburban II | 72 (182.9) | 144 (365.8) | 72 (182.9) | 144 (365.8) | 72 (182.9) | 141 (358.2) | 72 (182.9) | 144 (365.8) | 134 (340.4) | 59 (149.9) | 144 (365.8) | 144 (365.8) | 144 (365.8) | 144 (365.8) | 134 (340.4) | 141 (358.2) | 144 (365.8) | 144 (365.8) | 72 (182.9) | 144 (365.8) | 144 (365.8) | 144 (365.8) | 134 (340.4) | 59 (149.9) | 144 (365.8) | 144 (365.8) | 144 (365.8) | 144 (365.8) | 144 (365.8) | 144 (365.8) | 144 (365.8) | 144 (365.8) | 144 (365.8) | |
| Tranquility | 97 (246.4) | 79 (200.7) | 97 (246.4) | 144 (365.8) | 97 (246.4) | 53 (134.7) | 97 (246.4) | 144 (365.8) | 117 (297.2) | 79 (200.7) | 116 (294.7) | 144 (365.8) | 116 (294.7) | 144 (365.8) | 124 (315) | 53 (134.7) | 144 (365.8) | 144 (365.8) | 97 (246.4) | 79 (200.7) | 116 (294.7) | 144 (365.8) | 124 (315) | 53 (134.7) | 144 (365.8) | 144 (365.8) | 116 (294.7) | 144 (365.8) | 116 (294.7) | 144 (365.8) | 144 (365.8) | 144 (365.8) | | |
| Twine (Driftwood, Flagstone, Jewel, Metal, Oatmeal) | 97 (246.4) | 64 (162.6) | 97 (246.4) | 144 (365.8) | 97 (246.4) | 42 (106.7) | 97 (246.4) | 144 (365.8) | 97 (246.4) | 142 (360.7) | 144 (365.8) | 144 (365.8) | 144 (365.8) | 144 (365.8) | 97 (246.4) | 42 (106.7) | 144 (365.8) | 144 (365.8) | 97 (246.4) | 142 (360.7) | 144 (365.8) | 144 (365.8) | 97 (246.4) | 42 (106.7) | 144 (365.8) | 144 (365.8) | 144 (365.8) | 144 (365.8) | 144 (365.8) | 144 (365.8) | 144 (365.8) | 144 (365.8) | | |
| Twine (Heritage) | 97 (246.4) | 84 (213.4) | 97 (246.4) | 144 (365.8) | 97 (246.4) | 57 (144.8) | 97 (246.4) | 144 (365.8) | 97 (246.4) | 144 (365.8) | 144 (365.8) | 144 (365.8) | 144 (365.8) | 144 (365.8) | 97 (246.4) | 57 (144.8) | 144 (365.8) | 144 (365.8) | 97 (246.4) | 144 | | | | | | | | | | | | | | |

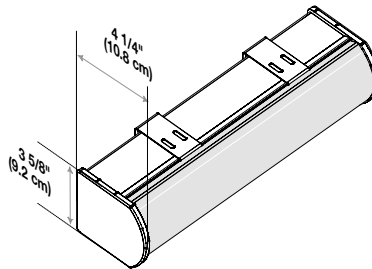
Size Considerations

Continuous-Loop, Motorized Lift and Dual Shade Mounting Depth Illustrations

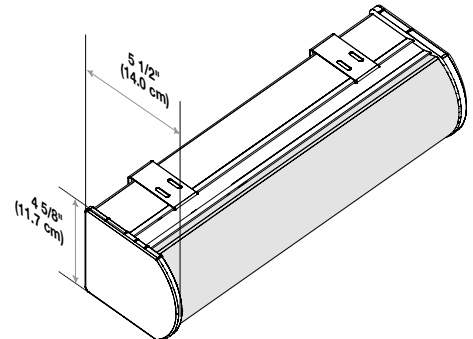
The following diagrams illustrate the mounting depth requirements for shades mounted inside window casements.



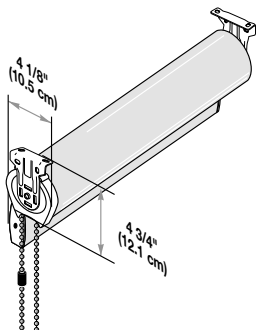
Small Cassette Valance
1 7/8" (3.5 cm) Minimum Inside Mount



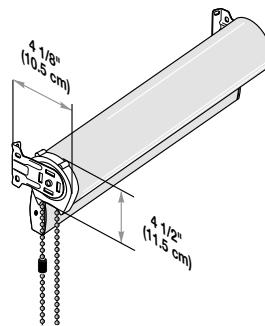
Medium Cassette Valance
1 3/4" (4.5 cm) Minimum Inside Mount



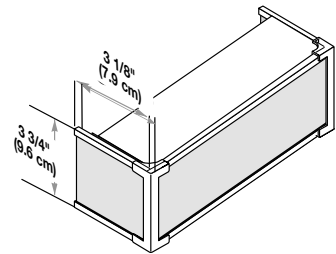
Large Cassette Valance
1 3/4" (4.5 cm) Minimum Inside Mount



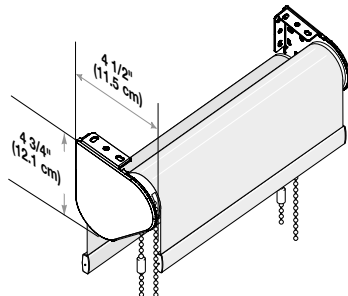
No valance*
4 1/8" (10.5 cm) Minimum Inside/Top Mount



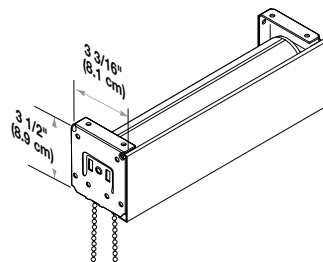
No valance*
3/4" (2.0 cm) Minimum Inside/Side Mount



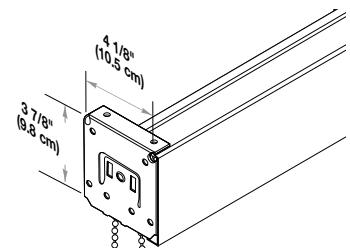
Square-corner Valance
1 1/8" (3.5 cm) Minimum Inside Mount



Dual Shade - No Cassette Valance
2" (5.1 cm) Minimum Inside/Top Mount
3/4" (2.0 cm) Minimum Inside/Side Mount

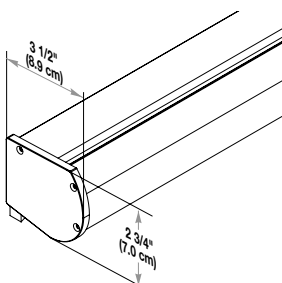


3" (7.7 cm) Fascia
2 3/4" (7.0 cm) Minimum Inside/Top Mount
3/4" (2.0 cm) Minimum Inside/Side Mount

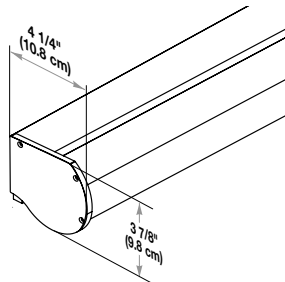


4" (10.2 cm) Fascia
3 3/4" (9.6 cm) Minimum Inside/Top Mount
1 1/2" (3.9 cm) Minimum Inside/Side Mount

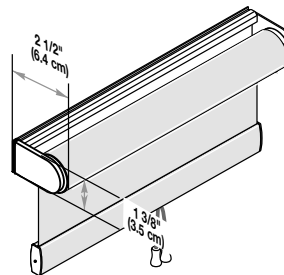
Cordless and Smart Pull Mounting Depth Illustrations



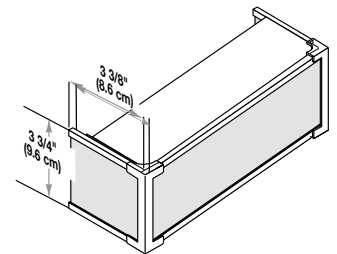
Small Cassette Valance
1 1/2" (3.9 cm) Minimum Inside Mount



Medium Cassette Valance
1 1/4" (4.5 cm) Minimum Inside Mount



No valance*
2" (5.1 cm) Minimum Inside Mount



Square-corner Valance
1 1/8" (3.5 cm) Minimum Inside Mount

* Largest possible measurement given will vary per fabric and window dimensions.

Options

Shade Options: For Surcharges and Pricing Refer to Pricing Section

The following is a list of options for Roller and Solar Shades. Options available with select styles and colors. Limitations will be based on shade width and height. See detailed descriptions on the following pages.

Control Type Options:

For surcharge, see Options Pricing

- Cordless Lift System
- Continuous-loop Lift
- Smart Pull Lift
- Motorized Lift (See Motorization Tab)

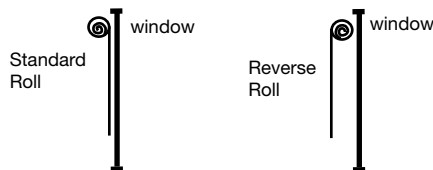
Shade Options – No Charge

- Chain Color (Black, Brown, Gray, Stainless Steel, Vanilla, or White)
- Chain Guide Color (Black, Brown, Gray, Vanilla, or White)
- Bay and Corner Windows
- Chain Length (must specify different length)
- Chain Location
- Fabric turned 90° (width for height)
- Heat Sealed Hem Bar
- Hold down Brackets
- Projection Brackets 3¼" (8.3 cm) and 4" (10.2 cm)
- Reverse Roll
- Returns for Square-corner Valance
- Seaming

Shade Options – Surcharge

- Cassette Valance
- Component Size Upgrade: Clutch, Tube
- Cut Yardage
- Dual Shade
- Fascia
- Scallop and Gimp
- Square-corner Valance
- Bead Trim
- Wood Cornice and Valance – see Cornice and Valance Price List

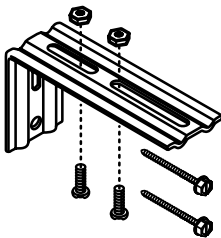
Reverse Roll



- **No charge**
- Standard roll is where fabric rolls over the tube to the back
- Reverse roll is where the fabric rolls over the tube to the front
- Reverse roll not available with Cassette Valance or Fascia Valance
- Roll direction cannot be changed after shade is manufactured

NOTE: For optimal privacy and light control, Standard Roll should be used.

Projection brackets



- **No charge**
- Available with Continuous-loop Lift and Motorized Lift with Cassette on outside mounts
- Available with Cordless Lift and Smart Pull on outside mounts
- Not available when fabric is seamed
- Two sizes: 3¼" and 4" (8.3 cm and 10.2 cm)

Options

Cordless Lift Control



- **For surcharge, see Price Charts**
- Sleek look with no chains
- A safer alternative for homes with children or pets
- Shade raises and lowers smoothly and easily due to a unique dual speed braking system
- Tension can be manually adjusted so shade always raises at desired speed
- Standard Cord and Tassels are color coordinated to fabric
- Optional Wood Tassels
 - Golden Oak31
 - Natural 17
 - Walnut05
- Optional Clear Hem Grip (not available with Scallop)
- Optional Square-corner Valance with fabric insert, Cassette Valance with fabric insert or Wood Cornice
- Outside mount is recommended for maximum light control
- Cordless is not available with the following:
 - E Screen, M Screen

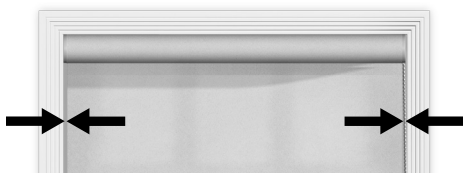


Inside mount light gap
Refer to Light Gap Chart.

Continuous-Loop Lift Control



- **No charge**
- Spring idle end standard, stationary idle end available
- Beaded chain and clutch system makes raising and lowering shade easy
- Bead chain length is approximately $\frac{7}{8}$ of the length of shade; customer can request a longer chain length at time of order
- Four clutch sizes depending on shade size
- Beaded chain remains at same length, regardless of shade position
- Color coordinated plastic bead chains and stainless steel bead chains are available (Colors include: Black, Brown, Gray, Stainless Steel, Vanilla and White)
- Safety chain guide provides the ability to keep the chain out of the reach of children and pets to enhance safety.
 - NOTE:** Chain guide must be installed to operate shade.
- Choose left or right chain location
- Optional Square-corner Valance with fabric insert, Cassette Valance with fabric insert, Wood Cornice or Fascia
- Outside mount is recommended for maximum light control



Inside mount light gap
Refer to Light Gap Chart.

Options

Smart Pull Control



Inside mount light gap varies by side
Refer to Light Gap Chart.

- **For surcharge, see Price Charts**
- Patented Smart Pull control
- To raise the shade, pull the cord gently
- To lower the shade, pull the cord with a small quick tug
- The shade lowers easily and automatically; to stop the shade while it is lowering, gently pull the cord again
- Cassette Valances are available as an option
- Color coordinated pull cord and tassel
- Optional Wood Tassels
 - Golden Oak.....31
 - Natural 17
 - Walnut.....05
- Cord length is approximately $\frac{2}{3}$ of the length of shade
- Hold-down brackets are available
- Outside mount is recommended for maximum light control
- Optional Square-corner Valance with fabric insert, Cassette Valance with fabric insert or Wood Cornice
- Smart Pull is not available with the following fabrics: B500, B1000, S500 S2, SW2500, SW4000, SW4100, SW4400, SW4600, SW4800 Menagerie Derby and Rust and SW7100

Motorized Lift



- **See Motorization Cost and Reference Guide for additional options and pricing**
- Allows for easy operation of hard-to-reach or large window coverings
- Efficiently manages energy (heat gain and loss)
- Motorized lift shades are cordless and are a safer choice for homes with children or pets
- Low voltage motorization requires no costly electrical hard-wiring
- Powered with battery, solar power kits, plug-in transformer, multi-motor power supply
- Line voltage for light commercial application, must be installed by a certified electrician
- Hold down brackets not available
- Available with standard or reverse roll; Cassette and Fascia Valance only available with standard roll
- Motor located on the left or right side, standard on the right

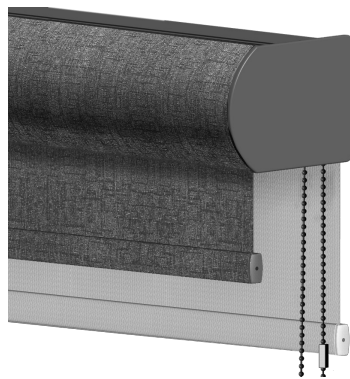
NOTE: Motorization components and accessories have a five-year limited warranty, excluding batteries.

Options

Dual Shades



Large Cassette Valance



For surcharge, see Options Pricing

Dual Shades create versatile light control and privacy levels for any interior. The Dual Shade design integrates any two fabrics from the Solar and Roller collections, which can be independently lowered or raised as needed.

Combine the sheer, light-filtering, room-darkening or blackout fabrics of your choice. Raise or lower each shade independently depending on time of day or need for privacy. Add a Roller Shade fabric to complement the room décor.

- Features the same Continuous-loop and Motorized Lift operation as our Roller and Solar Shades
- Select fabrics available in Sliding Panels and Vertical collections for whole-décor coordination

Recommendations

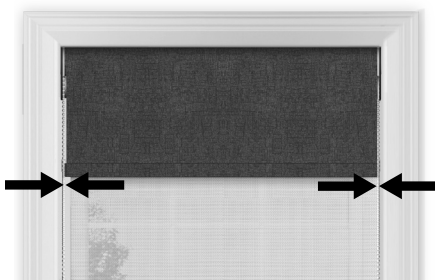
- Use the back shade or shade closest to the window for light regulation (recommended: solar screen fabrics, sheers and blackout fabrics)
- For the front shade, select Roller fabrics to match the room décor and maintain privacy
- Outside mount is recommended for maximum light control
- Select scallops and trims for a finishing touch (Roller fabrics only)
- All Dual shades can be Continuous-loop lift or low-voltage Motorized Lift
- Color-coordinated bead chains and stainless bead chains are available. Colors include: Black, Brown, Gray, Vanilla, White
- Bead chain colors are selectable for front and back shade
- Dual Shades can be configured with the 7½" (19.1 cm) Noble and Regal Wood Cornices for all configurations
- 5½" (14.0 cm) Noble and Regal Wood Cornices are available only when Dual Shade has no cassette with inside mount and Cornices are outside mount
- Curved, Classic and Symphony Valances are not available
- Cordless and Smart Pull lift systems are not available
- Square-corner Valance and fascia are not available
- Hold down brackets are not recommended for dual shades
- For motorized shades, the multi-channel remote control is recommended

Shade Configuration without Cassette Valance

- Front shade (closest to room) is always a reverse roll, providing a consistent, even look to the shade
- The back Dual Shade (shade closest to the window) can be a standard roll or reverse roll
- The front and back shade beaded chain can be positioned either left or right pull

Shade Configuration with Cassette Valance

- Because two shades must fit into a single cassette valance, the Dual Shade requires the large cassette valance; small and medium cassette valances are not available
- The fabric for the Fabric-wrapped Cassette Valance is selectable, either front or back shade fabric
- Front and back shades are standard roll
- The front and back shade beaded chain can be positioned either left or right pull



Inside mount light gap
Refer to Light Gap Chart.

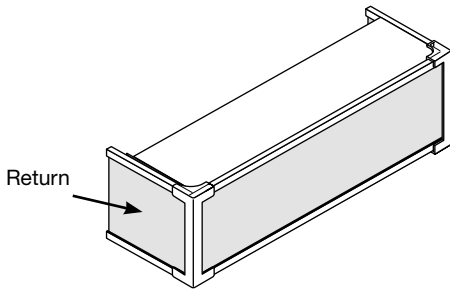
| | | Standard Roll | Reverse Roll | Left Control | Right Control | Motorized |
|----------------|-------------|---------------|--------------|--------------|---------------|-----------|
| No Cassette | Front Shade | | • | • | • | • |
| | Back Shade | • | • | • | • | • |
| Large Cassette | Front Shade | • | | • | • | • |
| | Back Shade | • | | • | • | • |

To Price Your Order for Dual Shade

1. Select front shade control type (Continuous-loop or Motorized Lift), size, color and options
2. Select back shade control type (Continuous-loop or Motorized Lift), size, color and options
3. Add the front shade with options and the back shade with options
4. If desired, add large cassette
5. Add the Dual Shade surcharge: See Price Charts for Dual Shades

Options

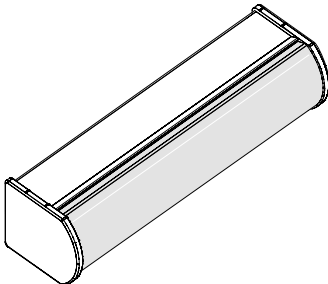
Square-Corner Valance



- **For surcharge, see Price Charts**
- A Square-corner PVC, channel panel valance is available for all shades
- Inside Mount Shades: Do **not** include returns unless specifically requested at time of order entry; Custom length returns are available from 1" (2.6 cm) - 6" (15.3 cm)
- The Square-corner Valance is not available with the Dual Shade.
- A valance only option is available for Continuous-loop shades; single valance is available up to 192" (487.7 cm) in width to cover multiple shades with a single valance (The fabric will not be one continuous piece in these instances.)

NOTE: Returns can be trimmed to desired length with scissors.

Cassette Valance



- **For surcharge, see Price Charts**
- A curved, sleek, aluminum-extruded, fabric covered valance is available as a surcharge option

NOTE: The Curved Cassette Valance must be ordered at the same time as the shade.

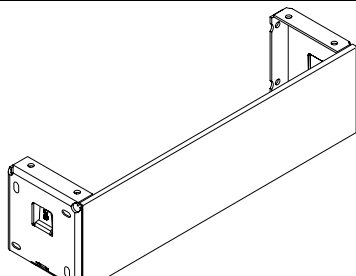
Cassette Valance Availability

The cassette valance size is determined by multiple factors. Available cassette sizes by shade type are shown below.

| | Small | Medium | Large |
|-----------------|-------|--------|-------|
| Continuous-Loop | • | • | • |
| Motorized Lift | • | • | • |
| Cordless | • | • | |
| Smart Pull | • | • | |
| Dual Shade | | | • |

NOTE: Fabric for cassette valances will be turned width for height. In cases of normal fabric orientation the pattern on the cassette valance will run perpendicular to the pattern on the shade. If the shade is railroaded, the pattern will be the same.

Fascia



Fascia is shown with brackets.

- **For surcharge, see Price Charts**
- Aluminum-extruded fascia is available in 3" (7.7 cm) and 4" (10.2 cm)
- Notchless fascia available (not available with SL30 clutch)
- Not available with Smart Pull, Cordless Lift, Dual Shades and Continuous Fascia (one Fascia for multiple shades)
- Color coordinated end covers are provided for outside mount
- Projection brackets are not available

NOTE: Fascia must be ordered at the same time as the shade.

Fascia Colors

| | |
|---------------------------|-----|
| Black | 939 |
| Bronze Anodized | 872 |
| Clear Anodized | 875 |
| Vanilla | 970 |
| White | 871 |

Options

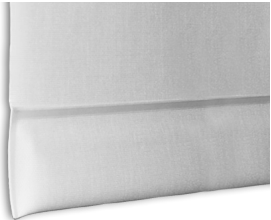
Hem Bar



Fabric-wrapped Hem Bar

Fabric-wrapped Hem Bar

- No charge
- Standard option
- Fabric from the shade is wrapped around an aluminum hem bar
- Color coordinated end caps



Sealed Hem Bar

Sealed Hem Bar

- Hem bar is completely enclosed within a heat-sealed pocket
- Clean, smooth look
- No exposed parts
- Used in light commercial applications or in residential situations where a slim profile is needed
- Not available with Cordless Control, Smart Pull or Scallop; all roller fabrics except Essential, Eventide, SheerWeave® 7000 and SW 7100
- If material cannot be seamed, this option is not available

Component Upgrade

- Accommodating larger windows: Clutch and Tube can be upgraded for uniform appearance
 Clutch upgrade..... See Option Pricing Section
 Tube Upgrade..... See Option Pricing Section
- Components that can be specified for color include:
 Fabric-wrapped Hem Bar..... White, Bronze, Anodized
 Clutch color Vanilla, Black, Gray and White with spring idle end clutch
 Cassette End Cap Color Gray, Black, White, Brown, Vanilla
 Cassette and Hem Bar End Cap Color..... Gray, Black, White, Brown, Vanilla
 Chain Color Gray, Black, White, Brown, Vanilla

Clutches and Tubes are determined by width, height, fabric and overall shade weight. The chart below is a general guideline for when the various Clutches and Tubes are used. Certain applications may require the tube diameter to match in a room or the shades to have a different Clutch.

For specific Clutch, Tube and spring assist information based on the order, please contact Customer Service.

SA = Spring Assist

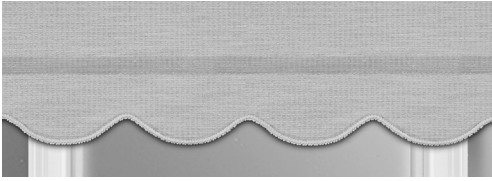
SL10, SL15, SL20, SL30 = Clutch (R8, R16, R24 with stationary idle end available upon request)

1.25, 1.5, 2, 2.5 = Tube

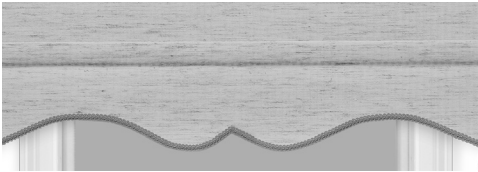
| Height up to inches (cm) | Width up to inches (cm) | | | | | | | | | | | | | | | |
|--------------------------|-------------------------|-------------|-------------|-------------|-------------|-------------|------------|------------|-------------|-------------|-------------|-------------|-------------|-------------|-------------|-------------|
| | 54 (137.2) | 60 (152.4) | 66 (167.7) | 72 (182.8) | 78 (198.2) | 84 (213.4) | 90 (228.6) | 96 (243.9) | 102 (259.1) | 108 (274.4) | 114 (289.6) | 120 (304.8) | 126 (320.1) | 132 (335.3) | 138 (350.5) | 144 (365.8) |
| 24 (61.0) | SL10 - 1.25 | SL10 - 1.25 | SL10 - 1.25 | SL10 - 1.25 | SL10 - 1.25 | SL10 - 1.25 | SL10 - 1.5 | SL10 - 1.5 | SL20 - 2 | SL20 - 2 | SL20 - 2 | SL20 - 2 | SL20 - 2 | SL20 - 2 | SL30 - 2.5 | SL30 - 2.5 |
| 30 (76.2) | SL10 - 1.25 | SL10 - 1.25 | SL10 - 1.25 | SL10 - 1.25 | SL10 - 1.25 | SL10 - 1.25 | SL10 - 1.5 | SL10 - 1.5 | SL20 - 2 | SL20 - 2 | SL20 - 2 | SL20 - 2 | SL20 - 2 | SL20 - 2 | SL30 - 2.5 | SL30 - 2.5 |
| 36 (91.5) | SL10 - 1.25 | SL10 - 1.25 | SL10 - 1.25 | SL10 - 1.25 | SL10 - 1.25 | SL10 - 1.5 | SL10 - 1.5 | SL10 - 1.5 | SL20 - 2 | SL20 - 2 | SL20 - 2 | SL20 - 2 | SL20 - 2 | SL20 - 2 | SL30 - 2.5 | SL30 - 2.5 |
| 42 (106.7) | SL10 - 1.25 | SL10 - 1.25 | SL10 - 1.25 | SL10 - 1.25 | SL10 - 1.25 | SL10 - 1.5 | SL10 - 1.5 | SL20 - 2 | SL20 - 2 | SL20 - 2 | SL20 - 2 | SL20 - 2 | SL20 - 2 | SL20 - 2 | SL30 - 2.5 | SL30 - 2.5 |
| 48 (122.0) | SL10 - 1.25 | SL10 - 1.25 | SL10 - 1.25 | SL10 - 1.25 | SL10 - 1.25 | SL10 - 1.5 | SL10 - 1.5 | SL20 - 2 | SL20 - 2 | SL20 - 2 | SL20 - 2 | SL20 - 2 | SL20 - 2 | SL30 - 2.5 | SL30 - 2.5 | SL30 - 2.5 |
| 54 (137.2) | SL10 - 1.25 | SL10 - 1.25 | SL10 - 1.25 | SL10 - 1.25 | SL10 - 1.25 | SL10 - 1.5 | SL10 - 1.5 | SL20 - 2 | SL20 - 2 | SL20 - 2 | SL20 - 2 | SL20 - 2 | SL20 - 2 | SL30 - 2.5 | SL30 - 2.5 | SL30 - 2.5 |
| 60 (152.4) | SL10 - 1.25 | SL10 - 1.25 | SL10 - 1.25 | SL10 - 1.25 | SL10 - 1.5 | SL10 - 1.5 | SL10 - 1.5 | SL20 - 2 | SL20 - 2 | SL20 - 2 | SL20 - 2 | SL20 - 2 | SL20 - 2 | SL30 - 2.5 | SL30 - 2.5 | SL30 - 2.5 |
| 66 (167.7) | SL10 - 1.25 | SL10 - 1.25 | SL10 - 1.25 | SL10 - 1.25 | SL10 - 1.5 | SL10 - 1.5 | SL20 - 2 | SL20 - 2 | SL20 - 2 | SL20 - 2 | SL20 - 2 | SL20 - 2 | SL20 - 2 | SL30 - 2.5 | SL30 - 2.5 | SL30 - 2.5 |
| 72 (182.8) | SL10 - 1.25 | SL10 - 1.25 | SL10 - 1.25 | SL10 - 1.25 | SL10 - 1.5 | SL10 - 1.5 | SL20 - 2 | SL20 - 2 | SL20 - 2 | SL20 - 2 | SL20 - 2 | SL20 - 2 | SL20 - 2 | SL30 - 2.5 | SL30 - 2.5 | SL30 - 2.5 |
| 78 (198.2) | SL10 - 1.25 | SL10 - 1.25 | SL10 - 1.25 | SL10 - 1.25 | SL10 - 1.5 | SL10 - 1.5 | SL20 - 2 | SL20 - 2 | SL20 - 2 | SL20 - 2 | SL30 - 2 | SL30 - 2 | SL30 - 2 | SL30 - 2.5 | SL30 - 2.5 | SL30 - 2.5 |
| 84 (213.4) | SL10 - 1.25 | SL10 - 1.25 | SL10 - 1.25 | SL10 - 1.25 | SL10 - 1.5 | SL10 - 1.5 | SL20 - 2 | SL20 - 2 | SL20 - 2 | SL30 - 2 | SL30 - 2 | SL30 - 2 | SL30 - 2 | SL30 - 2.5 | SL30 - 2.5 | SL30 - 2.5 |
| 90 (228.6) | SL10 - 1.25 | SL10 - 1.25 | SL10 - 1.25 | SL10 - 1.5 | SL10 - 1.5 | SL10 - 1.5 | SL20 - 2 | SL20 - 2 | SL20 - 2 | SL30 - 2 | SL30 - 2 | SL30 - 2 | SL30 - 2 | SL30 - 2.5 | SL30 - 2.5 | SL30 - 2.5 |
| 96 (243.9) | SL10 - 1.25 | SL10 - 1.25 | SL10 - 1.25 | SL10 - 1.5 | SL10 - 1.5 | SL10 - 1.5 | SL20 - 2 | SL20 - 2 | SL20 - 2 | SL30 - 2 | SL30 - 2 | SL30 - 2 | SL30 - 2 | SL30 - 2.5 | SL30 - 2.5 | SL30 - 2.5 |
| 102 (259.1) | SL10 - 1.25 | SL10 - 1.25 | SL10 - 1.25 | SL10 - 1.5 | SL15 - 1.5 | SL20 - 2 | SL20 - 2 | SL20 - 2 | SL20 - 2 | SL30 - 2 | SL30 - 2 | SL30 - 2 | SL30 - 2 | SL30 - 2.5 | SL30 - 2.5 | SL30 - 2.5 |
| 108 (274.4) | SL10 - 1.25 | SL10 - 1.25 | SL10 - 1.25 | SL10 - 1.5 | SL15 - 1.5 | SL20 - 2 | SL20 - 2 | SL20 - 2 | SL20 - 2 | SL30 - 2 | SL30 - 2 | SL30 - 2 | SL30 - 2 | SL30 - 2.5 | SL30 - 2.5 | SL30 - 2.5 |
| 114 (289.6) | SL10 - 1.25 | SL10 - 1.25 | SL10 - 1.25 | SL10 - 1.5 | SL15 - 1.5 | SL20 - 2 | SL20 - 2 | SL20 - 2 | SL20 - 2 | SL30 - 2 | SL30 - 2 | SL30 - 2 | SL30 - 2 | SL30 - 2.5 | SL30 - 2.5 | SL30 - 2.5 |
| 120 (304.8) | SL10 - 1.25 | SL10 - 1.25 | SL10 - 1.25 | SL15 - 1.5 | SL15 - 1.5 | SL20 - 2 | SL20 - 2 | SL20 - 2 | SL20 - 2 | SL30 - 2 | SL30 - 2 | SL30 - 2 | SL30 - 2 | SL30 - 2.5 | SL30 - 2.5 | SL30 - 2.5 |
| 126 (320.1) | SL10 - 1.25 | SL10 - 1.25 | SL10 - 1.25 | SL15 - 1.5 | SL20 - 1.5 | SL20 - 2 | SL20 - 2 | SL20 - 2 | SL20 - 2 | SL30 - 2 | SL30 - 2 | SL30 - 2 | SL30 - 2 | SL30 - 2.5 | SL30 - 2.5 | SL30 - 2.5 |
| 132 (335.3) | SL10 - 1.25 | SL10 - 1.25 | SL15 - 1.5 | SL15 - 1.5 | SL20 - 1.5 | SL20 - 2 | SL20 - 2 | SL20 - 2 | SL20 - 2 | SL30 - 2 | SL30 - 2 | SL30 - 2 | SL30 - 2 | SL30 - 2.5 | SL30 - 2.5 | SL30 - 2.5 |
| 138 (350.5) | SL10 - 1.25 | SL10 - 1.25 | SL15 - 1.5 | SL20 - 1.5 | SL20 - 1.5 | SL20 - 2 | SL20 - 2 | SL20 - 2 | SL20 - 2 | SL30 - 2 | SL30 - 2 | SL30 - 2 | SL30 - 2 | SL30 - 2.5 | SL30 - 2.5 | SL30 - 2.5 |
| 144 (365.8) | SL10 - 1.25 | SL10 - 1.25 | SL15 - 1.5 | SL20 - 1.5 | SL30 - 2 | SL30 - 2 | SL30 - 2 | SL30 - 2 | SL30 - 2 | SL30 - 2 | SL30 - 2 | SL30 - 2 | SL30 - 2 | SL30 - 2.5 | SL30 - 2.5 | SL30 - 2.5 |

Options

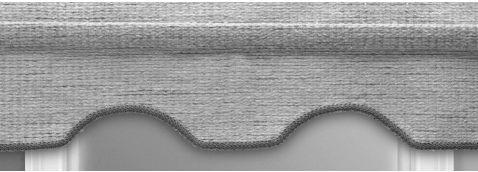
Roller Shades: Scallop Option



Classic



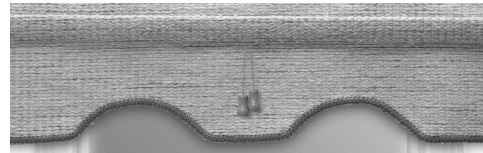
Colonial



Cathedral

- For surcharge, see Options Pricing
- Not available with Solar Shades, SW7100, or sealed hem bar
- Must be ordered with Gimp
- The finished shade height is measured at the hem bar; scallops extend 5¾" (14.7 cm) past the hem bar
- Patterns are centered as pictured and repeat across the width of the shade

| Scallop Style | Pattern Repeat inches (cm) |
|---------------|-------------------------------|
| Classic | 10 (25.4) |
| Colonial | 18 (45.8) |
| Cathedral | 11¼ (28.6) |



Cordless option with tassels

Roller Shades: Gimp Option



- Surcharge included with Scallop Option
- You must choose a Gimp when ordering a scallop or trim
- Cut yardage available
- Option applied to Scallop

| Gimp | | | |
|------------|-----|----------------|-----|
| Beige..... | 011 | Rock Gray..... | 399 |
| Black..... | 156 | Stucco..... | 963 |
| Brown..... | 554 | White..... | 417 |
| Cream..... | 715 | | |



Options

Roller Shades: Bead Trim Option



- **For surcharge, see Options Pricing**
- Must order Gimp, in addition to bead trim
- Bead Trim not available on Solar Shade material or heat sealed hem bar
- Cut yardage is available



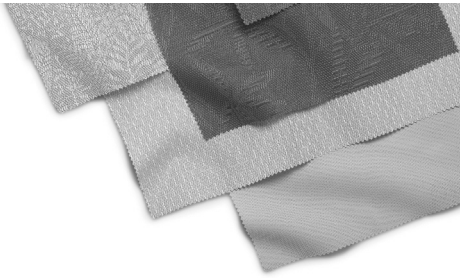
1" (2.6 cm)

1" (2.6 cm) Teardrop Bead Trim

1" Teardrop Bead Trim

| | | | |
|------------------|-----|------------|-----|
| Berry..... | 203 | Sand..... | 204 |
| Bronze..... | 201 | White..... | 205 |
| Light Gold | 202 | | |

Fabric Cut Yardage



- **For surcharge, see Options Pricing**
- Create matching pillows, table runners or placemats
- Cut yardage fabric may not be exact match due to dye lot variations in fabric
- All fabrics are available (1 linear yard (91.5 cm) minimum)
- Cut yardage roller fabric may need to be ironed with a press cloth when received; Do not iron solar fabrics
- Not recommended for upholstery
- Cut yardage is provided as is; there is no warranty regarding suitability in desired application

Trim Cut Yardage

- **For surcharge, see Options Pricing**
- All trims are available (1 linear yard (91.5 cm) minimum)
- Cut yardage is provided as is; there is no warranty regarding suitability in desired application

Options

Corner Windows

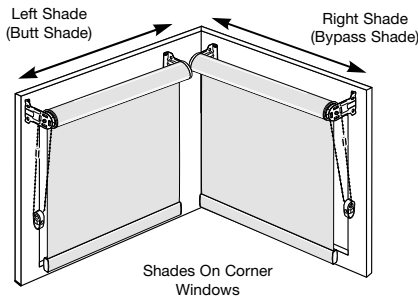


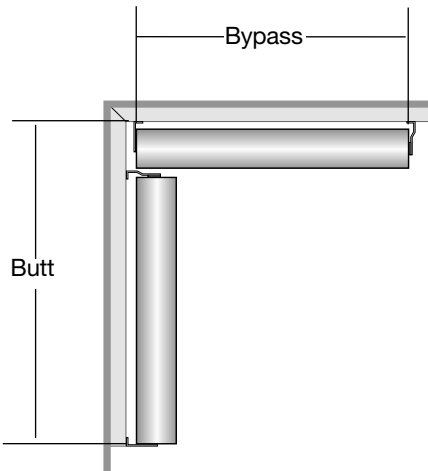
Illustration shows Continuous-loop Lift shades

- **No charge**
- Made as individual shades
- Each shade will have its own control; we recommend opposite corners
- Indicate for each shade whether left or right and butt or bypass
- Bypass shade is mounted into the corner; butt shade is butted to the other shade
- Manufacturer will take appropriate deductions for proper fit; **DO NOT** order as a Corner shade if you do not want manufacturer to take deductions
- Valances will create larger gap between shades

Measuring Information

Mounting on a Wall or Molding:

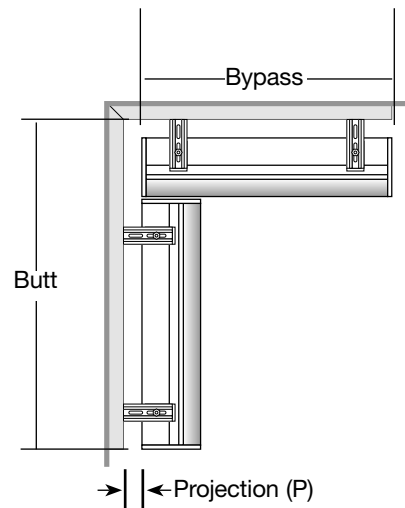
Measure the width of each window from the corner on the mounting surface (molding or wall) to the point you would like to cover.



Mounting Above the Molding:

Measure the width of each window from the corner on the mounting surface to the point you would like to cover.

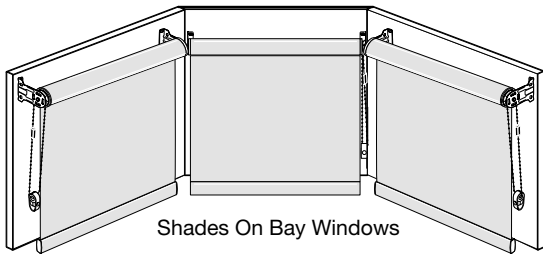
Projection measurement is the distance needed to clear any molding or obstructions that the shade will be mounted above.



NOTE: The Projection (P) distance is needed to correctly calculate deductions for installations where the shades will use shims or projection brackets to clear molding. All projection distances must match for correct deductions to be calculated.

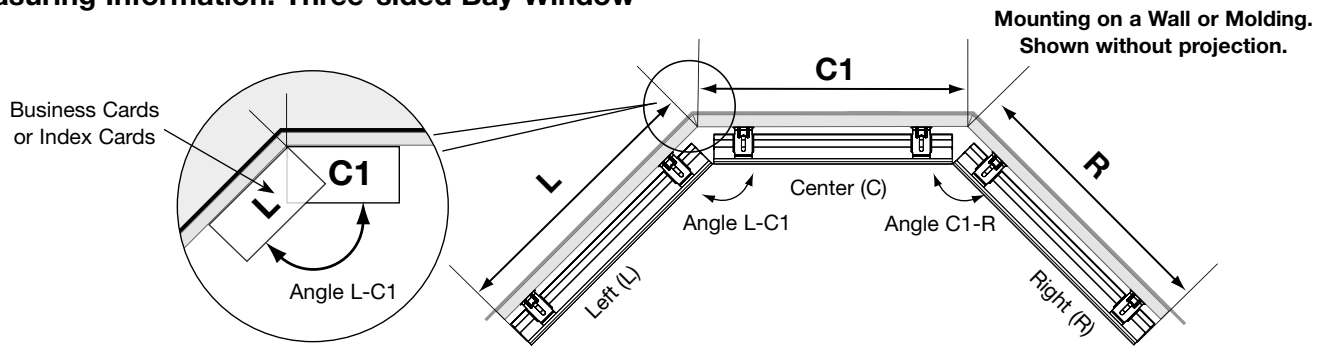
Options

Bay Windows



- **No charge**
- Made as individual shades
- Each section will have its own control
- Manufacturer will take appropriate deductions for proper fit; **DO NOT** order as a bay window shade if you do not want manufacturer to take deductions
- **Valances will create a larger gap between shades**

Measuring Information: Three-sided Bay Window



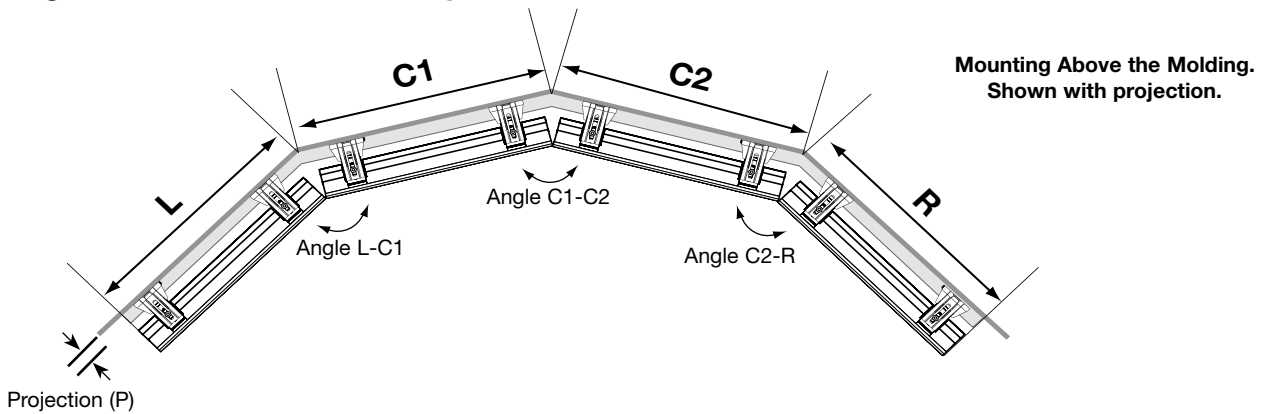
Measure:

- L and R:** Width of each side window from the corners on the mounting surface to the point you would like to cover.
- C1:** Width of the center window on the mounting surface from corner to corner.

- Angle L-C1:** Angle between the (L) and (C1) windows.
- Angle C1-R:** Angle between the (C1) and (R) windows.

Projection: If needed: The depth of the trim or molding the shade will be mounted above.

Measuring Information: Four-sided Bay Window



- L and R:** Width of each side window from the corners on the mounting surface to the point you would like to cover.
- C1, C2:** Width of each center window on the mounting surface from corner to corner.

- Angle L-C1:** Angle between the (L) and (C1) windows.
- Angle C1-C2:** Angle between the (C1) and (C2) windows.
- Angle C2-R:** Angle between the (C2) and (R) windows.

Projection: If needed: The depth of the trim or molding the shade will be mounted above.

NOTE: The Projection (P) distance is needed to correctly calculate deductions for installations where the shades will use shims or projection brackets to clear trim or molding. All projection distances must match for correct deductions to be calculated.

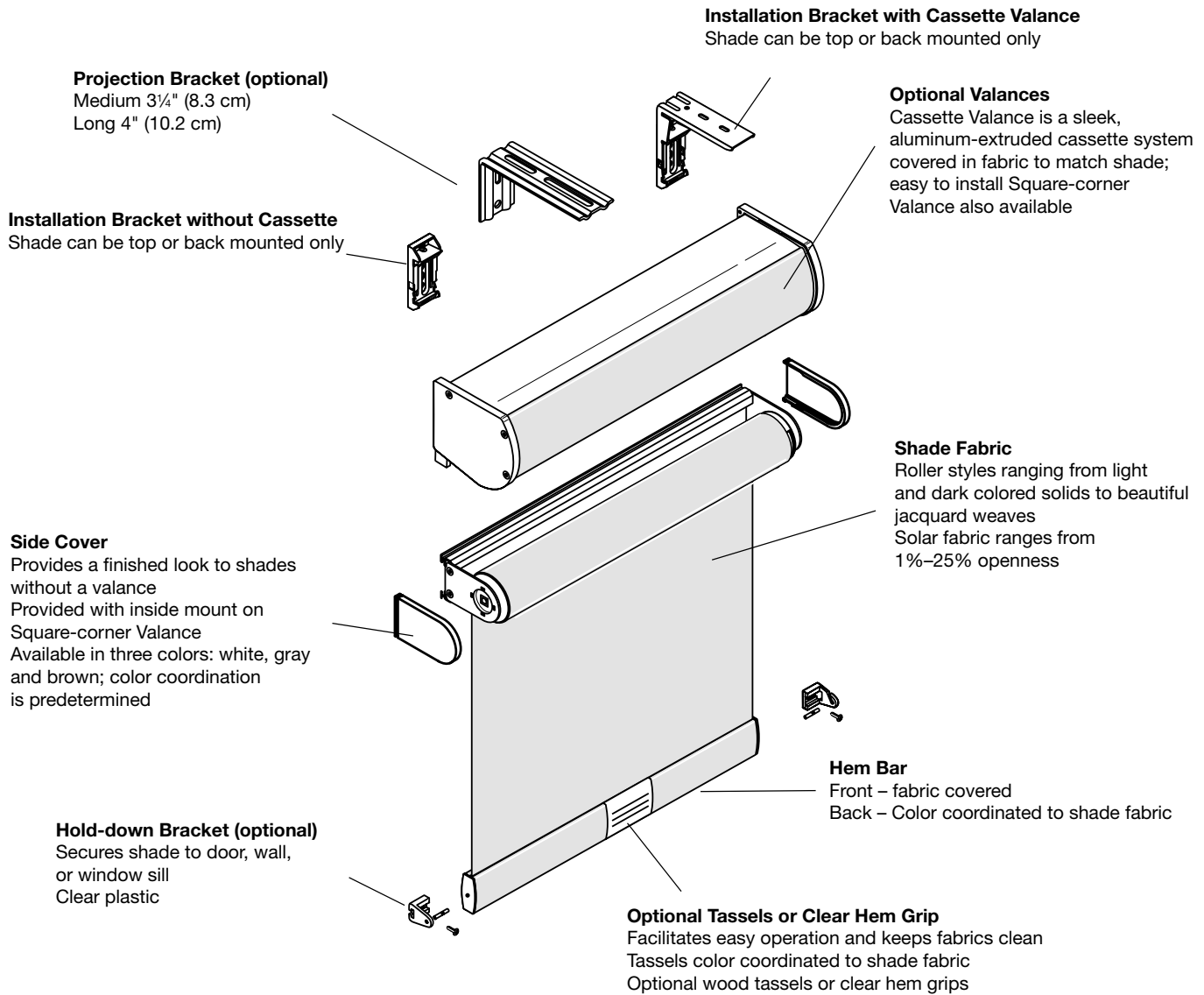
For additional windows on bays with up to five sides, continue with number progression for center shade sizes (C1, C2, C3, ...) and angles (Angle C1-C2, Angle C2-C3, ...) as needed.

Measure each bay angle using a protractor or angle finder or use two business cards in each bay corner as illustrated above and fax to customer service.

The angle to use between adjacent center bay windows along a straight section of wall is 180 degrees.

General Information

Lightweaves® Cordless Shade Product Detail



NOTE: All Cordless shades need to be used on windows where the consumer can comfortably raise and lower the shade with their hand and have easy access. Very high or hard-to-reach windows should use Continuous-loop, Smart Pull or Motorized Lift shades, rather than Cordless.

General Information

Lightweaves® Continuous-Loop Lift Shade Product Detail

No Valance—Standard

Mounting Bracket
 Universal bracket for control and idle end
 Color coordinated to shade fabric
 Can be top, back or side mounted
 Color coordinated end covers are provided for outside mounts

Hold-Down Bracket (optional)
 Secures shade to door, wall, or window sill
 Clear plastic

Beaded Chain
 Chain and chain connectors are color selectable (Black, Brown, Gray, Stainless Steel, Vanilla and White)
 Continuous-loop chain remains at same length, regardless of shade position
 Choose left or right chain location

Chain Guide
 Holds chain taut for enhanced safety in homes with children or pets; Chain guide must be installed for operation

Shade Fabric
 Roller styles ranging from light and dark colored solids to beautiful jacquard weaves
 Solar fabric ranges from 1%–25% openness

Hem Bar
 Fabric-wrapped hem bar (standard)
 Front – fabric covered
 Back – color coordinated to shade fabric
 Heat sealed hem bar (optional)
 Ideal for commercial applications
 Available with select solar fabrics

Optional Scallop and Gimp
 (Roller Shade only – not shown)

Cassette Valance—Optional

Cassette Valance Bracket
 Cannot be side mounted
 Brass-colored plated spring steel
 Hidden snap-in design
 Facilitates easy installation and removal

Optional Cassette Valance
 Fabric covered to match the shade
 End caps color coordinated to fabric
 Cassette valance has shade assembled in the valance

Fascia Valance—Optional

Fascia Bracket
 Secures shade and fascia
 Can be top, side or back mounted
 Color coordinated end covers are provided for outside mounts

Fascia
 3" (7.7 cm) and 4" (10.2 cm) sizes
 Available in Black, Bronze Anodized, Clear Anodized (silver), Vanilla and White
 Must order with shade

Square-Corner Valance—Optional

Projection Bracket (optional)
 Long 4" (10.2 cm)

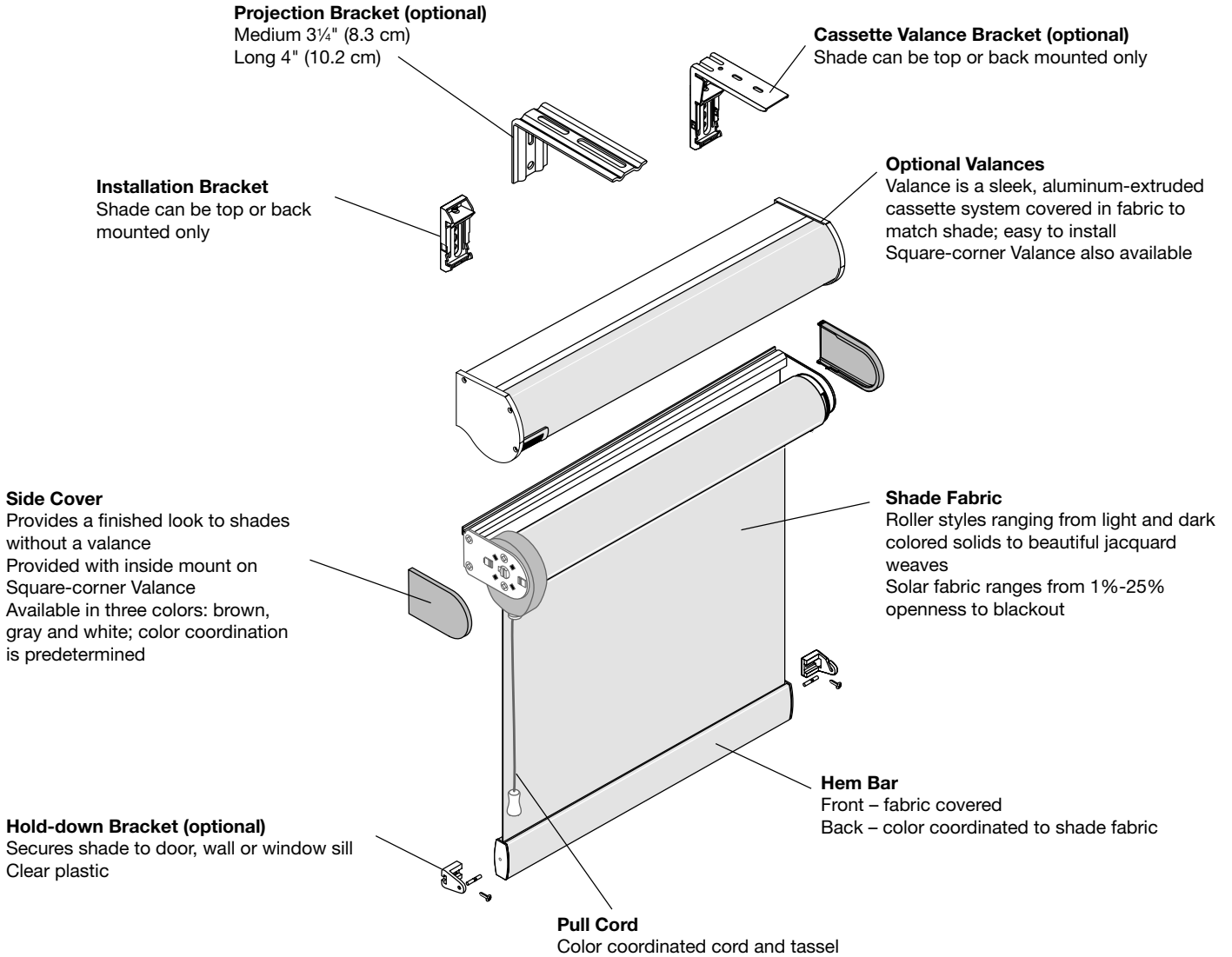
Square-corner Valance Bracket
 Used for Square-corner Valance as an outside mount

Square-corner Valance Returns
 Standard with outside mount shades

Optional Square-corner Valance
 Fabric covered to match the shade

General Information

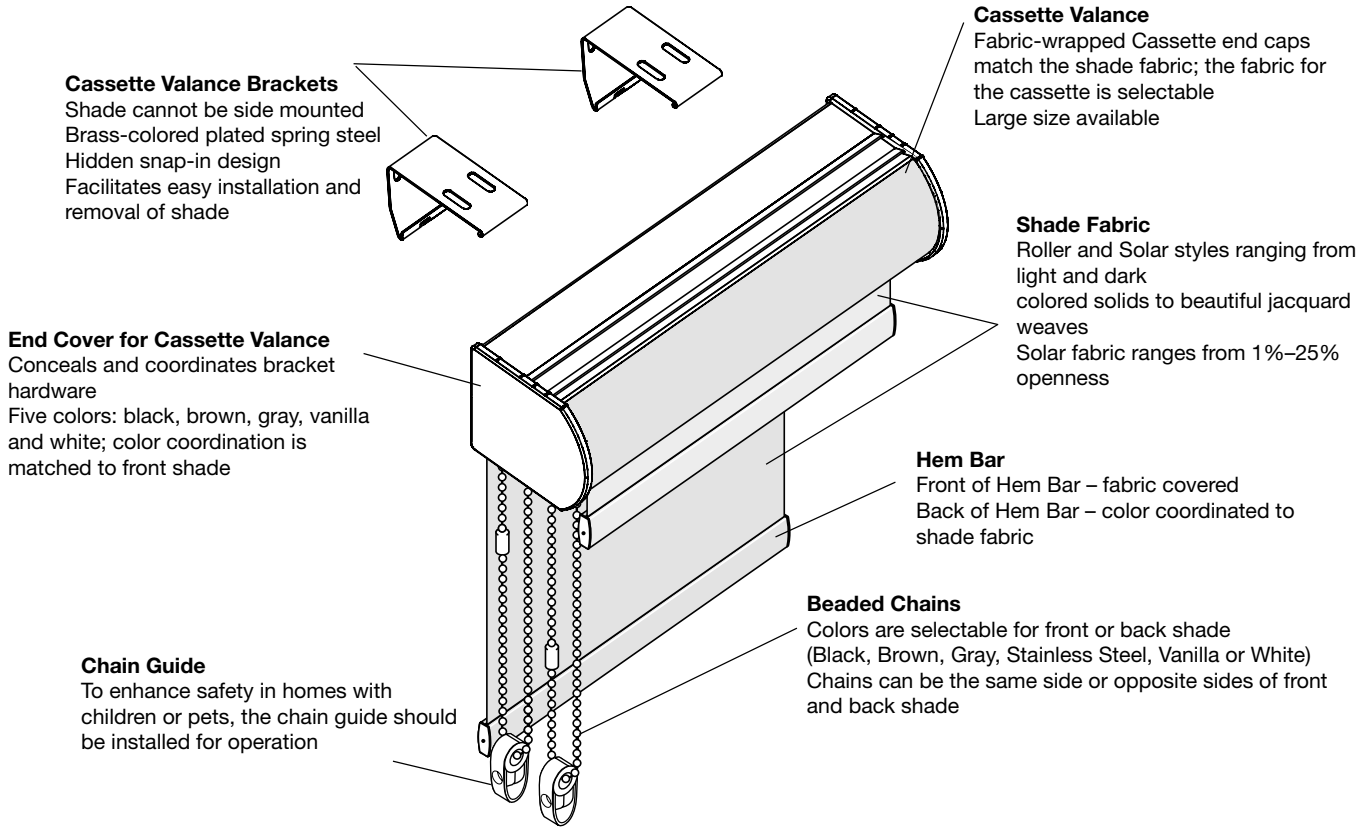
Lightweaves® Smart Pull Lift Shade Product Detail



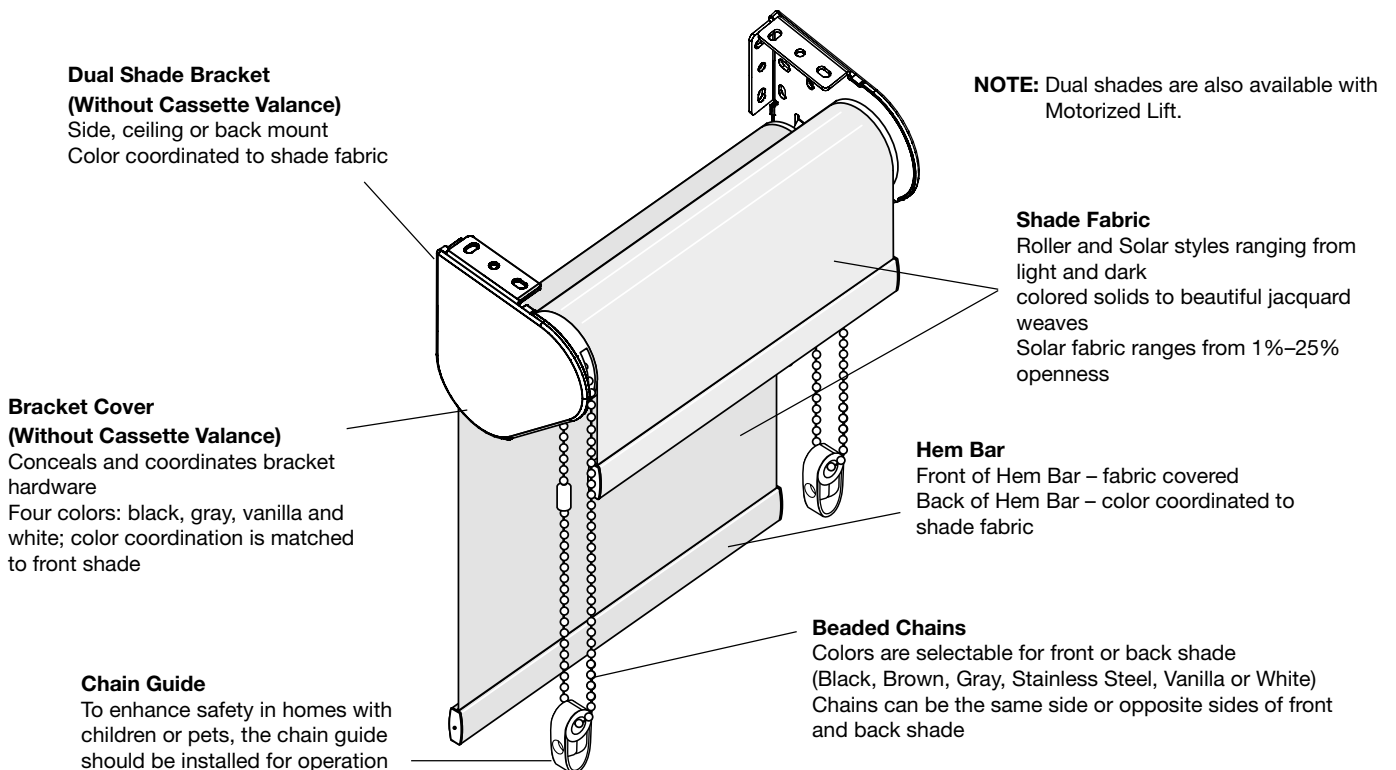
General Information

Lightweaves® Dual Shade Product Detail

Dual Shade shown with Cassette Valance



Dual Shade shown without Cassette Valance



General Information

Color Coordination Chart

Color coordination is shown for informational purposes only. The beaded chain column provides the recommended color for each fabric.

NOTE: For questions on SheerWeave® and Mermet fabrics color coordination, please contact your Customer Service representative.

| Fabric Information | | | Dual Shade / Continuous-Loop / Motorized Lift if applicable | | | | | Cordless & Smart Pull if applicable | |
|--------------------|------------|-------------------|--|---------------------------|--------------------------|--------------------------|---------|--|------------------|
| Color No. | Style | Color Name | Beaded Chain, Hem Bar, End Cap | Clutch and Idle End | Brackets and Shims | Cassette Side Caps | Hem Bar | Control Backer Bar, Side Cover, Valance Side Cap | Cord & Tassel |
| Q2025 | A100 | Beige | Vanilla | Vanilla | White | Vanilla | White | White | Fawn |
| V2125 | A100 | Charcoal | Black | Black | Black | Black | Brown | Brown | Pitch Black |
| V2425 | A100 | Charcoal/Chestnut | Brown | Black | Black | Brown | Brown | Brown | Char Brown |
| P1225 | A100 | Oyster | White | Vanilla | White | White | White | White | White Gloss |
| P1425 | A100 | Oyster Pearl Gray | Gray | Black | Black | Gray | Gray | Gray | Smokey Gray |
| P1325 | A100 | Oyster/Beige | Vanilla | Vanilla | White | Vanilla | White | White | Fawn |
| 40452 | A300 | Alabaster | White | Vanilla | White | White | White | White | White Gloss |
| 40459 | A300 | Bisque | Off White | Vanilla | White | Vanilla | White | White | Fawn |
| 40456 | A300 | Brunette | Brown | Black | Black | Brown | Brown | Brown | Char Brown |
| 40457 | A300 | Charcoal | Black | Black | Black | Black | Brown | Brown | Pitch Black |
| 40458 | A300 | Granite | Gray | Black | Black | Gray | Gray | Gray | Smokey Gray |
| 40453 | A300 | Gray Mist | Gray | Black | Black | Gray | Gray | Gray | Smokey Gray |
| 40455 | A300 | Quarry | Gray | Vanilla | White | Gray | Gray | Gray | Smokey Gray |
| 40451 | A300 | White | White | Vanilla | White | White | White | White | White Gloss |
| 40462 | A500 | Alabaster | White | Vanilla | White | White | White | White | White Gloss |
| 40465 | A500 | Bisque | Vanilla | Vanilla | White | Vanilla | White | White | Fawn |
| 40466 | A500 | Brunette | Brown | Black | Black | Brown | Brown | Brown | Char Brown |
| 40467 | A500 | Charcoal | Black | Black | Black | Black | Brown | Brown | Pitch Black |
| 40469 | A500 | Granite | Gray | Black | Black | Gray | Gray | Gray | Smokey Gray |
| 40463 | A500 | Gray Mist | Gray | Black | Black | Gray | Gray | Gray | Smokey Gray |
| 40464 | A500 | Quarry | Gray | Vanilla | White | Gray | Gray | Gray | Smokey Gray |
| 40461 | A500 | White | White | Vanilla | White | White | White | White | White Gloss |
| 02703 | Allure | Fog | Gray | Vanilla | White | Gray | Gray | Gray | Smokey Gray |
| 02706 | Allure | Glimmer | Gray | Vanilla | White | Gray | Gray | Gray | Smokey Gray |
| 02705 | Allure | Latte | Brown | Black | Black | Brown | Brown | Brown | Beige |
| 02702 | Allure | Still Water | Gray | Vanilla | White | Gray | Gray | Gray | Smoke Blue |
| 02704 | Allure | Titanium | Gray | Vanilla | White | Gray | Gray | Gray | Smokey Gray |
| 40245 | Aura | Aspen | Vanilla | Vanilla | White | Vanilla | White | White | Fawn |
| 40230 | Aura | Poetry | Brown | Black | Black | Brown | Brown | Brown | Beige |
| 40229 | Aura | Sable | Brown | Black | Black | Brown | Brown | Brown | Char Brown |
| 40243 | Aura | Tweed | Brown | Black | Black | Brown | Brown | Brown | Char Brown |
| 51602 | B1000 | Alabaster | White | Vanilla | White | White | White | White | White Gloss |
| 51609 | B1000 | Ash | Black | Black | Black | Black | Gray | Brown | Pitch Black |
| 51601 | B1000 | Chalk | White | Vanilla | White | White | White | White | White Gloss |
| 51608 | B1000 | Ebony | Black | Black | Black | Black | Gray | Brown | Pitch Black |
| 51606 | B1000 | Tobacco | Brown | Black | Black | Brown | Brown | Brown | Beige |
| 51502 | B500 | Alabaster | White | Vanilla | White | White | White | White | White Gloss |
| 51501 | B500 | Chalk | White | Vanilla | White | White | White | White | White Gloss |
| 51508 | B500 | Ebony | Black | Black | Black | Black | Gray | Brown | Pitch Black |
| 51505 | B500 | Greystone | Gray | Black | Black | Gray | Gray | Gray | Smokey Gray |
| 51506 | B500 | Tobacco | Brown | Black | Black | Brown | Brown | Brown | Beige |
| 40003 | Bamboo | Bronze | Brown | Black | Black | Brown | Brown | Brown | Beige |
| 40002 | Bamboo | Butter Pecan | Brown | Black | Black | Brown | Brown | Brown | Beige |
| 40006 | Bamboo | Desert | Off White | Vanilla | White | Vanilla | White | White | Fawn |
| 40004 | Bamboo | Toasted Almond | White | Vanilla | White | White | White | White | Fawn |
| 01902 | Brilliance | Chateau | Brown | Black | Black | Brown | Brown | Brown | Char Brown |
| 01903 | Brilliance | Grace | Off White | Vanilla | White | Vanilla | White | White | Alabaster |

NOTE: Certain components are only available in limited colors.

General Information

Color Coordination Chart

Color coordination is shown for informational purposes only. The beaded chain column provides the recommended color for each fabric.

NOTE: For questions on SheerWeave® and Mermet fabrics color coordination, please contact your Customer Service representative.

| Fabric Information | | | Dual Shade / Continuous-Loop / Motorized Lift if applicable | | | | | Cordless & Smart Pull if applicable | |
|--------------------|---------------------|--------------|--|---------------------|--------------------|--------------------|---------|--|---------------|
| Color No. | Style | Color Name | Beaded Chain, Hem Bar, End Cap | Clutch and Idle End | Brackets and Shims | Cassette Side Caps | Hem Bar | Control Backer Bar, Side Cover, Valance Side Cap | Cord & Tassel |
| 01901 | Brilliance | Midnight | Black | Black | Black | Black | Gray | Brown | Pitch Black |
| 11107 | Cambridge LF | Clay | Gray | Vanilla | White | Gray | Gray | Gray | Smokey Gray |
| 11100 | Cambridge LF | French Toast | Brown | Black | Black | Brown | Brown | Brown | Praline |
| 11105 | Cambridge LF | Inkwell | Black | Black | Black | Black | Gray | Brown | Pitch Black |
| 11103 | Cambridge LF | Ivory | Vanilla | Vanilla | White | Vanilla | White | White | Fawn |
| 11102 | Cambridge LF | Off White | Vanilla | Vanilla | White | Vanilla | White | White | Alabaster |
| 11108 | Cambridge LF | Rainstorm | Black | Black | Black | Black | Brown | Brown | True Blue |
| 11101 | Cambridge LF | White | White | Vanilla | White | White | White | White | White Gloss |
| 11209 | Cambridge RD | Clay | Gray | Vanilla | White | Gray | Gray | Gray | Smokey Gray |
| 11200 | Cambridge RD | French Toast | Brown | Black | Black | Brown | Brown | Brown | Praline |
| 11205 | Cambridge RD | Inkwell | Black | Black | Black | Black | Gray | Brown | Pitch Black |
| 11203 | Cambridge RD | Ivory | Vanilla | Vanilla | White | Vanilla | White | White | Fawn |
| 11202 | Cambridge RD | Off White | Vanilla | Vanilla | White | Vanilla | White | White | Alabaster |
| 11213 | Cambridge RD | Rainstorm | Black | Black | Black | Black | Brown | Brown | True Blue |
| 11201 | Cambridge RD | White | White | Vanilla | White | White | White | White | White Gloss |
| 1233 | Capri | Chateau | Brown | Black | Black | Brown | Brown | Brown | Beige |
| 1231 | Capri | Lanai | White | Vanilla | White | White | White | White | White Gloss |
| 1234 | Capri | Pewter | Gray | Vanilla | White | Gray | Gray | Gray | Smokey Gray |
| 40701 | Cirrus | Linen | White | Vanilla | White | White | White | White | White Gloss |
| 40703 | Cirrus | Platinum | Gray | Vanilla | White | Gray | Gray | Gray | Smokey Gray |
| 40702 | Cirrus | Sand | White | Vanilla | White | White | White | White | Fawn |
| 40704 | Cirrus | Storm | Gray | Black | Black | Gray | Gray | Gray | Pitch Black |
| 40236 | Contour | Alpine | Off White | Vanilla | White | Vanilla | White | White | Fawn |
| 40233 | Contour | Essence | Gray | Vanilla | White | Gray | Gray | Gray | Smokey Gray |
| 40244 | Contour | Maple | White | Vanilla | White | White | White | White | White Gloss |
| 40231 | Contour | Natural | Off White | Vanilla | White | Vanilla | White | White | Fawn |
| 40234 | Contour | Smoke | Brown | Black | Black | Brown | Brown | Brown | Char Brown |
| 40232 | Contour | Smudge | Brown | Black | Black | Brown | Brown | Brown | Char Brown |
| 13004 | Crossweave | Brick | Brown | Black | Black | Brown | Brown | Brown | Beige |
| 13007 | Crossweave | Cedar | Brown | Black | Black | Brown | Brown | Brown | Beige |
| 10001 | Crossweave | Natural | Vanilla | Vanilla | White | Vanilla | White | White | Alabaster |
| 13008 | Crossweave | Quarry | Gray | Vanilla | White | Gray | Gray | Gray | Smokey Gray |
| 1251 | Crystalline | Beryl | Vanilla | Vanilla | White | Vanilla | White | White | Alabaster |
| 1254 | Crystalline | Copper | Brown | Black | Black | Brown | Brown | Brown | Praline |
| 1252 | Crystalline | Selenite | Vanilla | Vanilla | White | Vanilla | White | White | Alabaster |
| 1255 | Crystalline | Steel Gray | Gray | Vanilla | White | Gray | Gray | Gray | Smoke Blue |
| 1262 | Crystalline Essence | Halite | Vanilla | Vanilla | White | Vanilla | White | White | Alabaster |
| 1263 | Crystalline Essence | Indigo | Brown | Black | Black | Brown | Brown | Brown | Beige |
| 1261 | Crystalline Essence | Opal | Vanilla | Vanilla | White | Vanilla | White | White | Alabaster |
| 40506 | Cumulus | Linen | White | Vanilla | White | White | White | White | White Gloss |
| 40507 | Cumulus | Rice | Off White | Vanilla | White | Vanilla | White | White | Alabaster |
| 40504 | Cumulus | Wrought Iron | Black | Black | Black | Black | Brown | Brown | Pitch Black |
| 02903 | Debut | Autumn | Brown | Black | Black | Brown | Brown | Brown | Beige |
| 02904 | Debut | Brandy | Brown | Black | Black | Brown | Brown | Brown | Beige |
| 02901 | Debut | Peppercorn | Black | Black | Black | Black | Gray | Brown | Pitch Black |
| 02902 | Debut | Refuge | Gray | Vanilla | White | Gray | Gray | Gray | Smoke Blue |
| 00301 | Elements | Canvas | Off White | Vanilla | White | Vanilla | White | White | Fawn |
| 00302 | Elements | Cove | Off White | Vanilla | White | Vanilla | White | White | Fawn |

NOTE: Certain components are only available in limited colors.

General Information

Color Coordination Chart

Color coordination is shown for informational purposes only. The beaded chain column provides the recommended color for each fabric.

NOTE: For questions on SheerWeave® and Mermet fabrics color coordination, please contact your Customer Service representative.

| Fabric Information | | | Dual Shade / Continuous-Loop / Motorized Lift if applicable | | | | | Cordless & Smart Pull if applicable | |
|--------------------|------------|---------------|--|---------------------|--------------------|--------------------|---------|--|---------------|
| Color No. | Style | Color Name | Beaded Chain, Hem Bar, End Cap | Clutch and Idle End | Brackets and Shims | Cassette Side Caps | Hem Bar | Control Backer Bar, Side Cover, Valance Side Cap | Cord & Tassel |
| 00305 | Elements | Dune | Off White | Vanilla | White | Vanilla | White | White | Alabaster |
| 00303 | Elements | Grain | Off White | Vanilla | White | Vanilla | White | White | Alabaster |
| 60016 | Essential | Beige | Off White | Vanilla | White | Vanilla | White | White | Alabaster |
| 60039 | Essential | Black | Black | Black | Black | Black | Gray | Brown | Pitch Black |
| 60015 | Essential | Canyon | Off White | Vanilla | White | Vanilla | White | White | Beige |
| 60001 | Essential | Classic White | White | Vanilla | White | White | White | White | White Gloss |
| 60010 | Essential | Denim | Gray | Vanilla | White | Gray | Gray | Gray | Smoke Blue |
| 60003 | Essential | Ivory | Vanilla | Vanilla | White | Vanilla | White | White | Alabaster |
| 60006 | Essential | Smokey | Gray | Black | Black | Gray | Gray | Gray | Smokey Gray |
| 60004 | Essential | Taupe | Vanilla | Vanilla | White | Vanilla | White | White | Fawn |
| 20002 | Eventide | Calming | Vanilla | Vanilla | White | Vanilla | White | White | Fawn |
| 20008 | Eventide | Cocoa | Brown | Black | Black | Brown | Brown | Brown | Pitch Black |
| 20004 | Eventide | Graphite | Gray | Vanilla | White | Gray | Gray | Gray | Smokey Gray |
| 20003 | Eventide | Morning | Vanilla | Vanilla | White | Vanilla | White | White | Fawn |
| 20000 | Eventide | Peaceful | White | Vanilla | White | White | White | White | Fawn |
| 20001 | Eventide | Restful White | Vanilla | Vanilla | White | Vanilla | White | White | Fawn |
| 40204 | Fern | Foggy | Brown | Black | Black | Brown | Brown | Brown | Char Brown |
| 40205 | Fern | Greige | Off White | Vanilla | White | Vanilla | White | White | Fawn |
| 40201 | Fern | Praline Pearl | Brown | Black | Black | Brown | Brown | Brown | Beige |
| 40206 | Fern | Sawdust | Off White | Vanilla | White | Vanilla | White | White | Fawn |
| 02601 | Harmony | Cityscape | Gray | Vanilla | White | Gray | Gray | Gray | Smokey Gray |
| 02603 | Harmony | Harvest | Brown | Black | Black | Brown | Brown | Brown | Beige |
| 02604 | Harmony | Huntsman | Gray | Vanilla | White | Gray | Gray | Gray | Avocado |
| 02602 | Harmony | Pebble | Brown | Black | Black | Brown | Brown | Brown | Beige |
| 02605 | Harmony | Tassel | Off White | Vanilla | White | Vanilla | White | White | Alabaster |
| U1150 | Linen | Burlap | Brown | Black | Black | Brown | Brown | Brown | Beige |
| R1250 | Linen | Cinnamon | Brown | Black | Black | Brown | Brown | Brown | Char Brown |
| R1150 | Linen | Cranberry | Brown | Black | Black | Brown | Brown | Brown | Char Brown |
| U1250 | Linen | Cream | Off White | Vanilla | White | Vanilla | White | White | Fawn |
| V8850 | Linen | Fig | Brown | Black | Black | Brown | Brown | Brown | Char Brown |
| U1050 | Linen | Topaz | Brown | Black | Black | Brown | Brown | Brown | Beige |
| 41031 | Marquesa | Golden Hazel | Brown | Black | Black | Brown | Brown | Brown | Char Brown |
| 41032 | Marquesa | Linen | Vanilla | Vanilla | White | Vanilla | White | White | Fawn |
| 41038 | Marquesa | Mushroom | Brown | Black | Black | Brown | Brown | Brown | Char Brown |
| 41037 | Marquesa | Powder | Off White | Vanilla | White | Vanilla | White | White | Fawn |
| 41036 | Marquesa | Spa | Brown | Black | Black | Brown | Brown | Brown | Char Brown |
| 40242 | Menagerie | Balsa | Vanilla | Vanilla | White | Vanilla | White | White | Fawn |
| 40240 | Menagerie | Birch | White | Vanilla | White | White | White | White | Fawn |
| 42424 | Menagerie | Derby | Vanilla | Vanilla | White | Vanilla | White | White | Beige |
| 42415 | Menagerie | Haystack | Brown | Black | Black | Brown | Brown | Brown | Char Brown |
| 42407 | Menagerie | Rockefeller | Brown | Black | Black | Brown | Brown | Brown | Char Brown |
| 42423 | Menagerie | Rust | Brown | Black | Black | Brown | Brown | Brown | Char Brown |
| 42409 | Menagerie | Silverstone | Gray | Vanilla | White | Gray | Gray | Gray | Smokey Gray |
| 42426 | Menagerie | Southern Wind | Brown | Black | Black | Brown | Brown | Brown | Char Brown |
| 1291 | Monaco | Enchant | White | Vanilla | White | White | White | White | White Gloss |
| 1292 | Monaco | Synergy | White | Vanilla | White | White | White | White | White Gloss |
| 40442 | Monticello | Burro | Brown | Black | Black | Brown | Brown | Brown | Beige |

NOTE: Certain components are only available in limited colors.

General Information

Color Coordination Chart

Color coordination is shown for informational purposes only. The beaded chain column provides the recommended color for each fabric.

NOTE: For questions on SheerWeave® and Mermet fabrics color coordination, please contact your Customer Service representative.

| Fabric Information | | | Dual Shade / Continuous-Loop / Motorized Lift if applicable | | | | | Cordless & Smart Pull if applicable | |
|--------------------|------------|--------------------|--|---------------------|--------------------|--------------------|----------|--|---------------|
| Color No. | Style | Color Name | Beaded Chain, Hem Bar, End Cap | Clutch and Idle End | Brackets and Shims | Cassette Side Caps | Hem Bar | Control Backer Bar, Side Cover, Valance Side Cap | Cord & Tassel |
| 40443 | Monticello | Dune | Brown | Black | Black | Brown | Brown | Brown | Beige |
| 40441 | Monticello | Mist | White | Vanilla | White | White | White | White | White Gloss |
| 40444 | Monticello | Tikki | Brown | Black | Black | Brown | Brown | Brown | Pitch Black |
| 00106 | Opulent | Ebony | Black | Black | Black | Black | Gray | Brown | Pitch Black |
| 00101 | Opulent | Opal | White | Vanilla | White | White | White | White | White Gloss |
| 00103 | Opulent | Pale Brown | Off White | Vanilla | White | Vanilla | White | White | Beige |
| 00102 | Opulent | Parchment | Off White | Vanilla | White | Vanilla | White | White | Fawn |
| 00104 | Opulent | Twilight | Brown | Black | Black | Brown | Brown | Brown | Beige |
| 00105 | Opulent | Zinc | Gray | Vanilla | White | Gray | Gray | Gray | Smokey Gray |
| 02502 | Origins | Coffee | Brown | Black | Black | Brown | Brown | Brown | Char Brown |
| 02501 | Origins | Grove | Brown | Black | Black | Brown | Brown | Brown | Beige |
| 02503 | Origins | Pavestone | Off White | Vanilla | White | Vanilla | White | White | Fawn |
| 00202 | Prairie | Candle | Off White | Vanilla | White | Vanilla | White | White | Alabaster |
| 00201 | Prairie | Pure | White | Vanilla | White | White | White | White | White Gloss |
| 00203 | Prairie | Sandbar | Off White | Vanilla | White | Vanilla | White | White | Fawn |
| 00204 | Prairie | Woodgrain | Brown | Black | Black | Brown | Brown | Brown | Beige |
| 01007 | Riverbend | Khaki | Off White | Vanilla | White | Vanilla | White | White | Beige |
| 01009 | Riverbend | Maduro | Brown | Black | Black | Brown | Brown | Brown | Beige |
| 01006 | Riverbend | Natural | Off White | Vanilla | White | Vanilla | White | White | Alabaster |
| 01004 | Riverbend | Rust | Brown | Black | Black | Brown | Brown | Brown | Beige |
| 01005 | Riverbend | Steel | Gray | Vanilla | White | Gray | Gray | Gray | Smokey Gray |
| 01008 | Riverbend | Woodland | Brown | Black | Black | Brown | Brown | Brown | Beige |
| 3926 | Royale | Granite | Brown | Black | Black | Brown | Brown | Brown | Beige |
| 3420 | Royale | Ivory | Off White | Vanilla | White | Vanilla | White | White | Alabaster |
| 3925 | Royale | Rapture | Brown | Black | Black | Brown | Brown | Brown | Beige |
| 3423 | Royale | Saddle | Brown | Black | Black | Brown | Brown | Brown | Beige |
| 3924 | Royale | Storm | Gray | Vanilla | White | Gray | Gray | Gray | Smokey Gray |
| 28106 | Rujin | Beechwood | Brown | Black | Black | Brown | Brown | Brown | Beige |
| 28103 | Rujin | Olive Gray | Brown | Black | Black | Brown | Brown | Brown | Beige |
| 28104 | Rujin | Pine Bark | Brown | Black | Black | Brown | Brown | Brown | Beige |
| 28105 | Rujin | Russet | Brown | Black | Black | Brown | Brown | Brown | Pitch Black |
| 28102 | Rujin | Toasted Almond | Brown | Black | Black | Brown | Brown | Brown | Beige |
| S1001 | S100 S1 | Neutral | White | Vanilla | White | White | White | White | White Gloss |
| S1002 | S100 S1 | Neutral/Sand | Vanilla | Vanilla | White | Vanilla | White | White | Fawn |
| S1003 | S100 S1 | Neutral Pearl/Gray | Gray | Black | Black | Gray | Anodized | Gray | Smokey Gray |
| S1004 | S100 S1 | Sand | Vanilla | Vanilla | White | Vanilla | White | White | Fawn |
| S1007 | S100 S1 | Noir | Black | Black | Black | Black | Bronze | Brown | Pitch Black |
| S1009 | S100 S1 | Noir/Brown | Brown | Black | Black | Brown | Bronze | Brown | Char Brown |
| S3001 | S300 S1 | Neutral | White | Vanilla | White | Vanilla | White | White | White Gloss |
| S3002 | S300 S1 | Neutral/Sand | Vanilla | Vanilla | White | Vanilla | White | White | Fawn |
| S3004 | S300 S1 | Sand | Vanilla | Vanilla | White | Vanilla | White | White | Fawn |
| S3007 | S300 S1 | Noir | Black | Black | Black | Black | Anodized | Brown | Pitch Black |
| S3008 | S300 S1 | Noir/Gray | Black | Black | Black | Black | Anodized | Brown | Pitch Black |
| S3009 | S300 S1 | Noir/Brown | Brown | Black | Black | Brown | Bronze | Brown | Char Brown |
| S5001 | S500 S1 | Neutral | White | Vanilla | White | Vanilla | White | White | White Gloss |
| S5002 | S500 S1 | Neutral/Sand | Vanilla | Vanilla | White | Vanilla | White | White | Fawn |
| S5003 | S500 S1 | Neutral/Granite | Gray | Vanilla | White | Gray | Anodized | Gray | Smokey Gray |

NOTE: Certain components are only available in limited colors.

General Information

Color Coordination Chart

Color coordination is shown for informational purposes only. The beaded chain column provides the recommended color for each fabric.

NOTE: For questions on SheerWeave® and Mermet fabrics color coordination, please contact your Customer Service representative.

| Fabric Information | | | Dual Shade / Continuous-Loop / Motorized Lift if applicable | | | | | Cordless & Smart Pull if applicable | |
|--------------------|-------------|---------------|--|---------------------------|--------------------------|--------------------------|----------|--|------------------|
| Color No. | Style | Color Name | Beaded Chain, Hem Bar, End Cap | Clutch and Idle End | Brackets and Shims | Cassette Side Caps | Hem Bar | Control Backer Bar, Side Cover, Valance Side Cap | Cord & Tassel |
| S5007 | S500 S1 | Noir | Black | Black | Black | Black | Anodized | Brown | Pitch Black |
| S5009 | S500 S1 | Noir/Brown | Brown | Black | Black | Brown | Bronze | Brown | Char Brown |
| S5201 | S500 S2 | Neutral | White | Vanilla | White | Vanilla | White | White | White Gloss |
| S5202 | S500 S2 | Neutral/Sand | Vanilla | Vanilla | White | Vanilla | White | White | Fawn |
| S5205 | S500 S2 | Greystone | Gray | Vanilla | White | Gray | Anodized | Gray | Smokey Gray |
| S5206 | S500 S2 | Noir/Brown | Black | Black | Black | Black | Bronze | Brown | Pitch Black |
| S5208 | S500 S2 | Noir | Black | Black | Black | Black | Anodized | Brown | Pitch Black |
| 02803 | Scripture | Magic | Black | Black | Black | Black | Gray | Brown | Pitch Black |
| 02801 | Scripture | Nuance | Gray | Vanilla | White | Gray | Gray | Gray | Smokey Gray |
| 02802 | Scripture | Ponder | Gray | Vanilla | White | Gray | Gray | Gray | Smokey Gray |
| 27206 | Sedona | Antique White | Off White | Vanilla | White | Vanilla | White | White | Fawn |
| 27205 | Sedona | Buff | Vanilla | Vanilla | White | Vanilla | White | White | Beige |
| 27201 | Sedona | Granite | Vanilla | Vanilla | White | Vanilla | White | White | Beige |
| 27204 | Sedona | Raven | Gray | Vanilla | White | Gray | Gray | Gray | Smokey Gray |
| 13101 | Sheffield | Chelsea | Vanilla | Vanilla | White | Vanilla | White | White | Alabaster |
| 13105 | Sheffield | Eclipse | Gray | Vanilla | White | Gray | Gray | Gray | Smokey Gray |
| 13102 | Sheffield | Henley | Vanilla | Vanilla | White | Vanilla | White | White | Alabaster |
| 13107 | Sheffield | Meadow | Brown | Black | Black | Brown | Brown | Brown | Beige |
| 13104 | Sheffield | Tucson | Off White | Vanilla | White | Vanilla | White | White | Fawn |
| 13106 | Sheffield | Weathered | Off White | Vanilla | White | Vanilla | White | White | Beige |
| 13103 | Sheffield | Windsor | Vanilla | Vanilla | White | Vanilla | White | White | Alabaster |
| 40606 | Stratus | Bone | White | Vanilla | White | White | White | White | White Gloss |
| 40602 | Stratus | Espresso | Brown | Black | Black | Brown | Brown | Brown | Pitch Black |
| 40603 | Stratus | Flax | Vanilla | Vanilla | White | Vanilla | White | White | Fawn |
| 40607 | Stratus | Ice | White | Vanilla | White | White | White | White | White Gloss |
| 40605 | Stratus | Linen | White | Vanilla | White | White | White | White | Fawn |
| 00804 | Suburban II | Highland | Brown | Black | Black | Brown | Brown | Brown | Praline |
| 00802 | Suburban II | Mystic | Off White | Vanilla | White | Vanilla | White | White | Fawn |
| 00803 | Suburban II | Network | Gray | Vanilla | White | Gray | Gray | Gray | Smokey Gray |
| 00801 | Suburban II | White | White | Vanilla | White | White | White | White | White Gloss |
| 41055 | Tranquility | Grace | Brown | Black | Black | Brown | Brown | Brown | Beige |
| 41056 | Tranquility | Jem | Brown | Black | Black | Brown | Brown | Brown | Char Brown |
| 41051 | Tranquility | Terracotta | Brown | Black | Black | Brown | Brown | Brown | Praline |
| 41053 | Tranquility | Wheat | Brown | Black | Black | Brown | Brown | Brown | Fawn |
| 40241 | Twine | Driftwood | Brown | Black | Black | Brown | Brown | Brown | Beige |
| 40246 | Twine | Flagstone | Gray | Vanilla | White | Gray | Gray | Gray | Smokey Gray |
| 40210 | Twine | Heritage | Brown | Black | Black | Brown | Brown | Brown | Char Brown |
| 40248 | Twine | Jewel | Gray | Vanilla | White | Gray | Gray | Gray | Fawn |
| 40247 | Twine | Metal | Gray | Black | Black | Gray | Gray | Gray | Pitch Black |
| 40249 | Twine | Oatmeal | Off White | Vanilla | White | Vanilla | White | White | Fawn |
| 41013 | Wicker | Brownstone | Brown | Black | Black | Brown | Brown | Brown | Beige |
| 41016 | Wicker | Dawn | Brown | Black | Black | Brown | Brown | Brown | Char Brown |
| 41017 | Wicker | Shell | Brown | Black | Black | Brown | Brown | Brown | Beige |
| 41010 | Wicker | Tawny | Gray | Vanilla | White | Gray | Gray | Gray | Smokey Gray |
| 41018 | Wicker | Thyme | Brown | Black | Black | Brown | Brown | Brown | Beige |
| 41011 | Wicker | Tiger's Eye | Brown | Black | Black | Brown | Brown | Brown | Fawn |

NOTE: Certain components are only available in limited colors.

Price Charts

Price Group A: Roller Shade Fabric: Capri, Essential

| HEIGHT UP TO ↓ inches (cm) | WIDTH UP TO inches (cm) → | | | | | | | | | | | | | | | |
|----------------------------------|---------------------------|--------------|--------------|---------------|---------------|---------------|---------------|---------------|---------------|---------------|---------------|---------------|----------------|----------------|----------------|----------------|
| | 24 (61.0) | 32 (81.3) | 36 (91.5) | 42 (106.7) | 48 (122.0) | 54 (137.2) | 60 (152.4) | 66 (167.7) | 72 (182.9) | 78 (198.2) | 84 (213.4) | 96 (243.9) | 108 (274.4) | 120 (304.8) | 132 (335.3) | 144 (365.8) |
| 36 (91.5) | \$114 | 134 | 147 | 156 | 162 | 179 | 193 | 211 | 226 | 284 | 299 | 337 | 368 | 408 | 454 | 502 |
| 42 (106.7) | 116 | 135 | 153 | 164 | 178 | 195 | 212 | 231 | 248 | 310 | 326 | 364 | 401 | 444 | 492 | 546 |
| 48 (122.0) | 117 | 138 | 158 | 174 | 192 | 212 | 231 | 251 | 270 | 334 | 352 | 391 | 432 | 480 | 532 | 592 |
| 54 (137.2) | 119 | 139 | 163 | 186 | 205 | 228 | 249 | 270 | 289 | 359 | 377 | 422 | 467 | 516 | 573 | 636 |
| 60 (152.4) | 122 | 141 | 168 | 194 | 219 | 244 | 267 | 288 | 311 | 382 | 402 | 453 | 500 | 554 | 615 | 681 |
| 66 (167.7) | 125 | 153 | 180 | 208 | 234 | 260 | 287 | 311 | 330 | 420 | 443 | 491 | 549 | 608 | 675 | 750 |
| 72 (182.9) | 131 | 161 | 189 | 219 | 249 | 279 | 307 | 329 | 352 | 458 | 485 | 548 | 606 | 675 | 753 | 837 |
| 78 (198.2) | 140 | 171 | 201 | 231 | 260 | 294 | 323 | 350 | 376 | 476 | 528 | 595 | 659 | 733 | 816 | 907 |
| 84 (213.4) | 186 | 198 | 212 | 241 | 276 | 310 | 339 | 369 | 397 | 532 | 570 | 642 | 710 | 791 | 880 | 978 |
| 96 (243.9) | 188 | 203 | 232 | 267 | 305 | 339 | 376 | 408 | 438 | 609 | 652 | 737 | 812 | 905 | 980 | 1089 |
| 108 (274.4) | 212 | 251 | 260 | 301 | 341 | 382 | 421 | 458 | 492 | 688 | 737 | 832 | 916 | 1008 | 1090 | 1211 |
| 120 (304.8) | 214 | 256 | 289 | 336 | 380 | 424 | 470 | 509 | 548 | 766 | 821 | 926 | 1018 | 1120 | 1212 | 1346 |
| 132 (335.3) | 219 | 268 | 319 | 368 | 416 | 471 | 525 | 568 | 608 | 851 | 914 | 1031 | 1133 | 1245 | 1347 | 1496 |
| 144 (365.8) | 242 | 296 | 351 | 406 | 459 | 518 | 579 | 627 | 674 | 944 | 1015 | 1148 | 1259 | 1383 | 1497 | 1662 |

Add Surcharge To Shade Price

| | | | | | | | | | | | | | | | | |
|---|------|-----|-----|-----|-----|-----|-----|-----|-----|-----|-----|-----|-----|-----|-----|-----|
| Square-corner Valance | \$58 | 61 | 62 | 65 | 67 | 70 | 74 | 76 | 77 | 81 | 83 | 88 | 92 | 96 | 98 | 100 |
| Continuous-Loop Small/Medium Cassette Valance | 100 | 105 | 111 | 121 | 131 | 139 | 146 | 154 | 162 | 174 | 189 | 202 | 217 | 233 | 250 | 268 |
| Continuous-Loop Large Cassette Valance | 119 | 125 | 132 | 145 | 156 | 166 | 175 | 186 | 195 | 209 | 226 | 242 | 260 | 279 | 300 | 322 |
| 3" (7.7 cm) Fascia | 91 | 96 | 100 | 107 | 116 | 124 | 131 | 139 | 147 | 155 | 162 | 179 | 194 | 210 | 225 | 242 |
| 4" (10.2 cm) Fascia | 105 | 111 | 117 | 131 | 142 | 155 | 168 | 181 | 183 | 195 | 208 | 231 | 256 | 280 | 305 | 328 |

Add Surcharge To Shade Price

How to Order

1. Select shade size (width x height) from price chart above
2. Add Cordless Lift or Smart Pull system surcharge
3. If desired, add the below Cassette Valance surcharge

| WIDTH UP TO inches (cm) → | 24 (61.0) | 32 (81.3) | 36 (91.5) | 42 (106.7) | 48 (122.0) | 54 (137.2) | 60 (152.4) | 66 (167.7) | 72 (182.9) | 78 (198.2) |
|---------------------------|-----------|-----------|-----------|------------|------------|------------|------------|------------|------------|------------|
| Cordless | \$119 | 119 | 119 | 119 | 119 | 119 | 119 | 119 | 119 | 119 |
| Smart Pull | 205 | 205 | 205 | 205 | 205 | 205 | 205 | 205 | 205 | 205 |
| Cassette Valance | 149 | 158 | 166 | 181 | 196 | 208 | 219 | 232 | 244 | 263 |

Colors

Capri

Chateau 1233
 Lanai 1231
 Pewter 1234

Essential

Beige 60016
 Black 60039
 Canyon 60015
 Classic White 60001
 Denim 60010
 Ivory 60003
 Smokey 60006
 Taupe 60004

Price Charts

Price Group B: Solar Shade Fabric: A300, A500, S100 S1, S300 S1, S500 S1, S500 S2

| HEIGHT UP TO inches (cm) | WIDTH UP TO inches (cm) → | | | | | | | | | | | | | | | |
|--------------------------|---------------------------|-----------|-----------|------------|------------|------------|------------|------------|------------|------------|------------|------------|-------------|-------------|-------------|-------------|
| | 24 (61.0) | 32 (81.3) | 36 (91.5) | 42 (106.7) | 48 (122.0) | 54 (137.2) | 60 (152.4) | 66 (167.7) | 72 (182.9) | 78 (198.2) | 84 (213.4) | 96 (243.9) | 108 (274.4) | 120 (304.8) | 132 (335.3) | 144 (365.8) |
| 36 (91.5) | \$118 | 139 | 152 | 161 | 169 | 185 | 200 | 217 | 233 | 294 | 310 | 350 | 382 | 424 | 471 | 521 |
| 42 (106.7) | 120 | 140 | 158 | 171 | 184 | 203 | 220 | 240 | 257 | 321 | 338 | 378 | 415 | 461 | 511 | 567 |
| 48 (122.0) | 121 | 144 | 163 | 182 | 199 | 220 | 240 | 260 | 280 | 346 | 365 | 407 | 447 | 499 | 552 | 614 |
| 54 (137.2) | 123 | 146 | 170 | 192 | 214 | 236 | 259 | 280 | 301 | 371 | 392 | 439 | 484 | 537 | 595 | 661 |
| 60 (152.4) | 125 | 148 | 175 | 201 | 228 | 254 | 278 | 300 | 322 | 396 | 416 | 470 | 518 | 576 | 638 | 708 |
| 66 (167.7) | 131 | 158 | 186 | 215 | 244 | 271 | 299 | 322 | 343 | 437 | 460 | 510 | 570 | 631 | 701 | 778 |
| 72 (182.9) | 136 | 167 | 197 | 228 | 259 | 288 | 318 | 341 | 365 | 475 | 501 | 562 | 620 | 688 | 764 | 847 |
| 78 (198.2) | 147 | 178 | 209 | 240 | 270 | 305 | 336 | 363 | 391 | 493 | 542 | 609 | 671 | 745 | 827 | 917 |
| 84 (213.4) | 192 | 207 | 220 | 249 | 287 | 321 | 353 | 383 | 413 | 552 | 584 | 655 | 722 | 801 | 889 | 987 |
| 96 (243.9) | 195 | 211 | 241 | 278 | 316 | 353 | 391 | 424 | 455 | 632 | 666 | 748 | 823 | 915 | 988 | 1096 |
| 108 (274.4) | 218 | 260 | 271 | 314 | 354 | 396 | 438 | 475 | 511 | 714 | 748 | 842 | 924 | 1015 | 1097 | 1216 |
| 120 (304.8) | 223 | 264 | 301 | 347 | 394 | 441 | 487 | 529 | 568 | 795 | 831 | 934 | 1026 | 1127 | 1217 | 1349 |
| 132 (335.3) | 228 | 279 | 331 | 382 | 432 | 488 | 546 | 589 | 631 | 882 | 922 | 1039 | 1140 | 1250 | 1350 | |
| 144 (365.8) | 251 | 307 | 364 | 421 | 477 | 539 | 600 | 651 | 700 | 979 | 1023 | 1153 | 1264 | 1387 | 1498 | |

Add Surcharge To Shade Price

| | | | | | | | | | | | | | | | | |
|---|------|-----|-----|-----|-----|-----|-----|-----|-----|-----|-----|-----|-----|-----|-----|-----|
| Square-corner Valance | \$58 | 61 | 62 | 65 | 67 | 70 | 74 | 76 | 77 | 81 | 83 | 88 | 92 | 96 | 98 | 100 |
| Continuous-Loop Small/Medium Cassette Valance | 100 | 105 | 111 | 121 | 131 | 139 | 146 | 154 | 162 | 174 | 189 | 202 | 217 | 233 | 250 | 268 |
| Continuous-Loop Large Cassette Valance | 119 | 125 | 132 | 145 | 156 | 166 | 175 | 186 | 195 | 209 | 226 | 242 | 260 | 279 | 300 | 322 |
| 3" (7.7 cm) Fascia | 91 | 96 | 100 | 107 | 116 | 124 | 131 | 139 | 147 | 155 | 162 | 179 | 194 | 210 | 225 | 242 |
| 4" (10.2 cm) Fascia | 105 | 111 | 117 | 131 | 142 | 155 | 168 | 181 | 183 | 195 | 208 | 231 | 256 | 280 | 305 | 328 |

Add Surcharge To Shade Price

How to Order

1. Select shade size (width x height) from price chart above
2. Add Cordless Lift or Smart Pull system surcharge
3. If desired, add the below Cassette Valance surcharge

| WIDTH UP TO inches (cm) → | 24 (61.0) | 32 (81.3) | 36 (91.5) | 42 (106.7) | 48 (122.0) | 54 (137.2) | 60 (152.4) | 66 (167.7) | 72 (182.9) | 78 (198.2) |
|---------------------------|-----------|-----------|-----------|------------|------------|------------|------------|------------|------------|------------|
| Cordless | \$119 | 119 | 119 | 119 | 119 | 119 | 119 | 119 | 119 | 119 |
| Smart Pull | 205 | 205 | 205 | 205 | 205 | 205 | 205 | 205 | 205 | 205 |
| Cassette Valance | 149 | 158 | 166 | 181 | 196 | 208 | 219 | 232 | 244 | 263 |

Colors

| A300 | A500 | S100 S1 | S500 S1 |
|---------------------------|---------------------------|----------------------------------|---------------------------------|
| Alabaster 40452 | Alabaster 40462 | Neutral S1001 | Neutral S5001 |
| Bisque 40458 | Bisque 40465 | Neutral Pearl/Gray S1003 | Neutral/Granite S5003 |
| Brunette 40456 | Brunette 40466 | Neutral/Sand S1002 | Neutral/Sand S5002 |
| Charcoal 40457 | Charcoal 40467 | Noir S1007 | Noir S5007 |
| Granite 40459 | Granite 40469 | Noir/Brown S1009 | Noir/Brown S5009 |
| Gray Mist 40453 | Gray Mist 40463 | Sand S1004 | |
| Quarry 40455 | Quarry 40464 | | |
| White 40451 | White 40461 | | |
| | | S300 S1 | S500 S2 |
| | | Neutral S3001 | Greystone S5205 |
| | | Neutral/Sand S3002 | Neutral S5201 |
| | | Noir S3007 | Neutral/Sand S5202 |
| | | Noir/Brown S3009 | Noir S5208 |
| | | Noir/Gray S3008 | Noir/Brown S5206 |
| | | Sand S3004 | |

Price Charts

Price Group C: Roller Shade Fabric: Cambridge LF, Harmony, Sheffield Solar Shade Fabric: A100, B500, B1000, Cirrus, Cumulus, Monticello, Stratus

| HEIGHT UP TO inches (cm) | WIDTH UP TO inches (cm) → | | | | | | | | | | | | | | | |
|--------------------------------|---------------------------|--------------|--------------|---------------|---------------|---------------|---------------|---------------|---------------|---------------|---------------|---------------|----------------|----------------|----------------|----------------|
| | 24 (61.0) | 32 (81.3) | 36 (91.5) | 42 (106.7) | 48 (122.0) | 54 (137.2) | 60 (152.4) | 66 (167.7) | 72 (182.9) | 78 (198.2) | 84 (213.4) | 96 (243.9) | 108 (274.4) | 120 (304.8) | 132 (335.3) | 144 (365.8) |
| 36 (91.5) | \$160 | 170 | 181 | 190 | 200 | 219 | 238 | 257 | 277 | 351 | 371 | 413 | 455 | 503 | 558 | 618 |
| 42 (106.7) | 163 | 173 | 188 | 205 | 218 | 242 | 263 | 281 | 306 | 381 | 403 | 452 | 494 | 547 | 608 | 676 |
| 48 (122.0) | 166 | 174 | 195 | 217 | 237 | 260 | 287 | 311 | 334 | 410 | 435 | 481 | 532 | 591 | 656 | 730 |
| 54 (137.2) | 168 | 177 | 204 | 228 | 253 | 281 | 308 | 333 | 358 | 440 | 469 | 519 | 573 | 638 | 709 | 786 |
| 60 (152.4) | 173 | 183 | 210 | 240 | 268 | 299 | 329 | 356 | 382 | 471 | 495 | 557 | 615 | 684 | 759 | 843 |
| 66 (167.7) | 175 | 189 | 222 | 255 | 288 | 321 | 353 | 379 | 408 | 518 | 545 | 613 | 677 | 751 | 835 | 926 |
| 72 (182.9) | 177 | 200 | 235 | 271 | 305 | 341 | 377 | 401 | 435 | 564 | 593 | 669 | 736 | 818 | 907 | 1007 |
| 78 (198.2) | 183 | 212 | 249 | 287 | 324 | 360 | 397 | 427 | 464 | 610 | 646 | 722 | 797 | 885 | 982 | 1089 |
| 84 (213.4) | 190 | 225 | 263 | 301 | 341 | 380 | 418 | 456 | 492 | 656 | 694 | 777 | 859 | 950 | 1056 | 1171 |
| 96 (243.9) | 197 | 243 | 288 | 332 | 374 | 419 | 464 | 503 | 542 | 743 | 792 | 889 | 986 | 1095 | 1217 | 1389 |
| 108 (274.4) | 223 | 274 | 322 | 372 | 420 | 471 | 520 | 565 | 609 | 813 | 890 | 1000 | 1111 | 1233 | 1349 | 1554 |
| 120 (304.8) | 246 | 302 | 358 | 413 | 469 | 525 | 579 | 628 | 677 | 881 | 986 | 1111 | 1204 | 1337 | 1483 | 1647 |
| 132 (335.3) | 277 | 337 | 398 | 460 | 520 | 581 | 643 | 694 | 751 | 977 | 1095 | 1233 | 1337 | 1484 | 1647 | 1828 |
| 144 (365.8) | 305 | 373 | 441 | 510 | 578 | 646 | 713 | 773 | 833 | 1086 | 1217 | 1368 | 1483 | 1647 | 1828 | 2030 |

Add Surcharge To Shade Price

| | | | | | | | | | | | | | | | | |
|---|------|-----|-----|-----|-----|-----|-----|-----|-----|-----|-----|-----|-----|-----|-----|-----|
| Square-corner Valance | \$58 | 61 | 62 | 65 | 67 | 70 | 74 | 76 | 77 | 81 | 83 | 88 | 92 | 96 | 98 | 100 |
| Continuous-Loop Small/Medium Cassette Valance | 100 | 105 | 111 | 121 | 131 | 139 | 146 | 154 | 162 | 174 | 189 | 202 | 217 | 233 | 250 | 268 |
| Continuous-Loop Large Cassette Valance | 119 | 125 | 132 | 145 | 156 | 166 | 175 | 186 | 195 | 209 | 226 | 242 | 260 | 279 | 300 | 322 |
| 3" (7.7 cm) Fascia | 91 | 96 | 100 | 107 | 116 | 124 | 131 | 139 | 147 | 155 | 162 | 179 | 194 | 210 | 225 | 242 |
| 4" (10.2 cm) Fascia | 105 | 111 | 117 | 131 | 142 | 155 | 168 | 181 | 183 | 195 | 208 | 231 | 256 | 280 | 305 | 328 |

Add Surcharge To Shade Price

How to Order

1. Select shade size (width x height) from price chart above
2. Add Cordless Lift or Smart Pull system surcharge
3. If desired, add the below Cassette Valance surcharge

| WIDTH UP TO inches (cm) → | 24 (61.0) | 32 (81.3) | 36 (91.5) | 42 (106.7) | 48 (122.0) | 54 (137.2) | 60 (152.4) | 66 (167.7) | 72 (182.9) | 78 (198.2) |
|---------------------------|-----------|-----------|-----------|------------|------------|------------|------------|------------|------------|------------|
| Cordless | \$119 | 119 | 119 | 119 | 119 | 119 | 119 | 119 | 119 | 119 |
| Smart Pull | 205 | 205 | 205 | 205 | 205 | 205 | 205 | 205 | 205 | 205 |
| Cassette Valance | 149 | 158 | 166 | 181 | 196 | 208 | 219 | 232 | 244 | 263 |

* Smart Pull is not available with the following fabrics: B500 and B1000.

Colors

Roller Shade Styles and Colors

Cambridge LF

| | |
|-------------------|-------|
| Clay | 11107 |
| French Toast..... | 11100 |
| Inkwell | 11105 |
| Ivory | 11103 |
| Off White | 11102 |
| Rainstorm | 11108 |
| White | 11101 |

Harmony

| | |
|-----------------|-------|
| Cityscape | 02601 |
| Harvest | 02603 |
| Huntsman | 02604 |
| Pebble | 02602 |
| Tassel..... | 02605 |

Sheffield

| | |
|-----------------|-------|
| Chelsea..... | 13101 |
| Eclipse | 13105 |
| Henley | 13102 |
| Meadow..... | 13107 |
| Tucson..... | 13104 |
| Weathered | 13106 |
| Windsor | 13103 |

Solar Shade Styles and Colors

A100

| | |
|-------------------------|------|
| Beige | 2025 |
| Charcoal | 2125 |
| Charcoal/Chestnut | 2425 |
| Oyster | 1225 |
| Oyster/Beige..... | 1325 |
| Oyster/Pearl Gray..... | 1425 |

B500

| | |
|-----------------|-------|
| Alabaster | 51502 |
| Chalk | 51501 |
| Ebony | 51508 |
| Greystone..... | 51505 |
| Tobacco..... | 51506 |

B1000

| | |
|-----------------|-------|
| Alabaster | 51602 |
| Ash | 51609 |
| Chalk | 51601 |
| Ebony | 51608 |
| Tobacco..... | 51606 |

Cirrus

| | |
|----------------|-------|
| Linen..... | 40701 |
| Platinum | 40703 |
| Sand | 40702 |
| Storm..... | 40704 |

Cumulus

| | |
|-------------------|-------|
| Linen..... | 40506 |
| Rice | 40507 |
| Wrought Iron..... | 40504 |

Monticello

| | |
|-------------|-------|
| Burro..... | 40442 |
| Dune..... | 40443 |
| Mist..... | 40441 |
| Tikki | 40444 |

Stratus

| | |
|---------------|-------|
| Bone | 40606 |
| Espresso..... | 40602 |
| Flax..... | 40603 |
| Ice..... | 40607 |
| Linen..... | 40605 |

Price Charts

Price Group D:
Roller Shade Fabric: Crossweave, Crystalline, Crystalline Essence, Debut, Elements, Monaco, Prairie, Riverbend, Royale, Rujin, Scripture, Sedona, Suburban II
Solar Shade Fabric: Aura, Bamboo, Contour, Fern, Linen, Menagerie, Origins, Tranquility, Twine, Wicker

| HEIGHT UP TO inches (cm) ↓ | WIDTH UP TO inches (cm) → | | | | | | | | | | | | | | | |
|----------------------------------|---------------------------|--------------|--------------|---------------|---------------|---------------|---------------|---------------|---------------|---------------|---------------|---------------|----------------|----------------|----------------|----------------|
| | 24 (61.0) | 32 (81.3) | 36 (91.5) | 42 (106.7) | 48 (122.0) | 54 (137.2) | 60 (152.4) | 66 (167.7) | 72 (182.9) | 78 (198.2) | 84 (213.4) | 96 (243.9) | 108 (274.4) | 120 (304.8) | 132 (335.3) | 144 (365.8) |
| 36 (91.5) | \$186 | 197 | 209 | 220 | 230 | 252 | 275 | 295 | 321 | 406 | 427 | 478 | 524 | 579 | 643 | 714 |
| 42 (106.7) | 188 | 199 | 217 | 235 | 252 | 278 | 301 | 325 | 353 | 439 | 464 | 517 | 572 | 631 | 701 | 778 |
| 48 (122.0) | 193 | 204 | 225 | 249 | 271 | 301 | 329 | 356 | 384 | 472 | 502 | 555 | 612 | 684 | 758 | 842 |
| 54 (137.2) | 199 | 207 | 232 | 262 | 292 | 323 | 355 | 384 | 411 | 508 | 535 | 598 | 660 | 735 | 815 | 905 |
| 60 (152.4) | 207 | 211 | 240 | 275 | 308 | 345 | 379 | 410 | 440 | 542 | 569 | 640 | 708 | 787 | 872 | 970 |
| 66 (167.7) | 211 | 216 | 254 | 294 | 331 | 378 | 408 | 440 | 471 | 577 | 602 | 670 | 758 | 838 | 931 | 1032 |
| 72 (182.9) | 218 | 229 | 269 | 312 | 353 | 414 | 435 | 469 | 502 | 612 | 635 | 700 | 805 | 889 | 988 | 1097 |
| 78 (198.2) | 225 | 245 | 287 | 330 | 372 | 426 | 458 | 495 | 533 | 647 | 678 | 745 | 850 | 940 | 1043 | 1159 |
| 84 (213.4) | 231 | 259 | 302 | 347 | 393 | 438 | 480 | 523 | 563 | 684 | 720 | 789 | 895 | 988 | 1097 | 1218 |
| 96 (243.9) | 239 | 279 | 330 | 379 | 431 | 482 | 534 | 580 | 625 | 764 | 836 | 926 | 1028 | | | |
| 108 (274.4) | 257 | 315 | 370 | 427 | 483 | 542 | 599 | 651 | 701 | 862 | 913 | 1027 | 1249 | | | |
| 120 (304.8) | 284 | 348 | 411 | 476 | 540 | 602 | 665 | 724 | 779 | 957 | 1071 | 1221 | 1355 | | | |
| 132 (335.3) | 340 | 400 | 457 | 527 | 598 | 669 | 740 | 802 | 866 | 1063 | 1142 | 1344 | 1504 | | | |
| 144 (365.8) | 350 | 429 | 508 | 585 | 664 | 742 | 819 | 889 | 961 | 1179 | 1355 | 1492 | 1668 | | | |

Add Surcharge To Shade Price

| | | | | | | | | | | | | | | | | |
|---|------|-----|-----|-----|-----|-----|-----|-----|-----|-----|-----|-----|-----|-----|-----|-----|
| Square-corner Valance | \$58 | 61 | 62 | 65 | 67 | 70 | 74 | 76 | 77 | 81 | 83 | 88 | 92 | 96 | 98 | 100 |
| Continuous-Loop Small/Medium Cassette Valance | 100 | 105 | 111 | 121 | 131 | 139 | 146 | 154 | 162 | 174 | 189 | 202 | 217 | 233 | 250 | 268 |
| Continuous-Loop Large Cassette Valance | 119 | 125 | 132 | 145 | 156 | 166 | 175 | 186 | 195 | 209 | 226 | 242 | 260 | 279 | 300 | 322 |
| 3" (7.7 cm) Fascia | 91 | 96 | 100 | 107 | 116 | 124 | 131 | 139 | 147 | 155 | 162 | 179 | 194 | 210 | 225 | 242 |
| 4" (10.2 cm) Fascia | 105 | 111 | 117 | 131 | 142 | 155 | 168 | 181 | 183 | 195 | 208 | 231 | 256 | 280 | 305 | 328 |

Add Surcharge To Shade Price

How to Order

1. Select shade size (width x height) from price chart above
2. Add Cordless Lift or Smart Pull system surcharge
3. If desired, add the below Cassette Valance surcharge

| WIDTH UP TO inches (cm) → | 24 (61.0) | 32 (81.3) | 36 (91.5) | 42 (106.7) | 48 (122.0) | 54 (137.2) | 60 (152.4) | 66 (167.7) | 72 (182.9) | 78 (198.2) |
|---------------------------|-----------|-----------|-----------|------------|------------|------------|------------|------------|------------|------------|
| Cordless | \$119 | 119 | 119 | 119 | 119 | 119 | 119 | 119 | 119 | 119 |
| Smart Pull | 205 | 205 | 205 | 205 | 205 | 205 | 205 | 205 | 205 | 205 |
| Cassette Valance | 149 | 158 | 166 | 181 | 196 | 208 | 219 | 232 | 244 | 263 |

* Smart Pull is not available with the following fabrics: Menagerie Derby.

Colors: See Next Page

Price Charts

Price Group D: Colors

Roller Shade Styles and Colors

| | |
|----------------------------|-------|
| Crossweave | |
| Brick | 13004 |
| Cedar | 13007 |
| Natural | 10001 |
| Quarry | 13008 |
| Crystalline | |
| Beryl | 1251 |
| Copper | 1254 |
| Selenite | 1252 |
| Steel Gray | 1255 |
| Crystalline Essence | |
| Halite | 1262 |
| Indigo | 1263 |
| Opal | 1261 |
| Debut | |
| Autumn | 02903 |
| Brandy | 02904 |
| Peppercorn | 02901 |
| Refuge | 02902 |
| Elements | |
| Canvas | 00301 |
| Cove | 00302 |
| Dune | 00305 |
| Grain | 00303 |
| Monaco | |
| Enchant | 1291 |
| Synergy | 1292 |
| Prairie | |
| Candle | 00202 |
| Pure | 00201 |
| Sandbar | 00203 |
| Woodgrain | 00204 |
| Riverbend | |
| Khaki | 01007 |
| Maduro | 01009 |
| Natural | 01006 |
| Rust | 01004 |
| Steel | 01005 |
| Woodland | 01008 |

| | |
|--------------------------|-------|
| Royale | |
| Granite | 3926 |
| Ivory | 3420 |
| Rapture | 3925 |
| Saddle | 3423 |
| Storm | 3924 |
| Rujin | |
| Beachwood | 28106 |
| Olive Gray | 28103 |
| Pine Bark | 28104 |
| Russet | 28105 |
| Toasted Almond | 28102 |
| Scripture | |
| Magic | 02803 |
| Nuance | 02801 |
| Ponder | 02802 |
| Sedona | |
| Antique White | 27206 |
| Buff | 27205 |
| Granite | 27201 |
| Raven | 27204 |
| Suburban II | |
| Highland | 00804 |
| Mystic | 00802 |
| Network | 00803 |
| White | 00801 |

Solar Shade Styles and Colors

| | |
|--------------------------|-------|
| Aura | |
| Aspen | 40245 |
| Poetry | 40230 |
| Sable | 40229 |
| Tweed | 40243 |
| Bamboo | |
| Bronze | 40003 |
| Butter Pecan | 40002 |
| Desert | 40006 |
| Toasted Almond | 40004 |
| Contour | |
| Alpine | 40236 |
| Essence | 40233 |
| Maple | 40244 |
| Natural | 40231 |
| Smoke | 40234 |
| Smudge | 40232 |
| Fern | |
| Foggy | 40204 |
| Greige | 40205 |
| Praline Pearl | 40201 |
| Sawdust | 40206 |
| Linen | |
| Burlap | U1150 |
| Cinnamon | R1250 |
| Cranberry | R1150 |
| Cream | U1250 |
| Fig | V8850 |
| Topaz | U1050 |
| Menagerie | |
| Balsa | 40242 |
| Birch | 40240 |
| Derby | 42424 |
| Haystack | 42415 |
| Rockefeller | 42407 |
| Rust | 42423 |
| Silverstone | 42409 |
| Southern Wind | 42426 |

| | |
|-----------------------|-------|
| Origins | |
| Coffee | 02502 |
| Grove | 02501 |
| Pavestone | 02503 |
| Tranquility | |
| Grace | 41055 |
| Jem | 41056 |
| Terracotta | 41051 |
| Wheat | 41053 |
| Twine | |
| Driftwood | 40241 |
| Flagstone | 40246 |
| Heritage | 40210 |
| Jewel | 40248 |
| Metal | 40247 |
| Oatmeal | 40249 |
| Wicker | |
| Brownstone | 41013 |
| Dawn | 41016 |
| Shell | 41017 |
| Tawny | 41010 |
| Thyme | 41018 |
| Tiger's Eye | 41011 |

Price Charts

Price Group E: Roller Shade Fabric: Allure, Brilliance, Cambridge RD, Eventide, Opulent Solar Shade Fabric: Marquesa

| HEIGHT UP TO inches (cm) | WIDTH UP TO inches (cm) → | | | | | | | | | | | | | | | |
|--------------------------------|---------------------------|--------------|--------------|---------------|---------------|---------------|---------------|---------------|---------------|---------------|---------------|---------------|----------------|----------------|----------------|----------------|
| | 24 (61.0) | 32 (81.3) | 36 (91.5) | 42 (106.7) | 48 (122.0) | 54 (137.2) | 60 (152.4) | 66 (167.7) | 72 (182.9) | 78 (198.2) | 84 (213.4) | 96 (243.9) | 108 (274.4) | 120 (304.8) | 132 (335.3) | 144 (365.8) |
| 36 (91.5) | \$216 | 229 | 243 | 255 | 268 | 294 | 321 | 347 | 372 | 472 | 498 | 556 | 609 | 675 | 750 | 831 |
| 42 (106.7) | 222 | 237 | 252 | 268 | 293 | 323 | 352 | 383 | 410 | 511 | 541 | 602 | 661 | 734 | 818 | 906 |
| 48 (122.0) | 228 | 242 | 263 | 289 | 318 | 351 | 384 | 415 | 446 | 550 | 584 | 647 | 713 | 795 | 883 | 980 |
| 54 (137.2) | 234 | 248 | 272 | 305 | 338 | 376 | 413 | 446 | 479 | 591 | 624 | 695 | 768 | 857 | 951 | 1054 |
| 60 (152.4) | 244 | 255 | 280 | 321 | 361 | 403 | 443 | 478 | 513 | 631 | 663 | 746 | 826 | 916 | 1016 | 1128 |
| 66 (167.7) | 248 | 261 | 296 | 342 | 388 | 431 | 477 | 514 | 549 | 673 | 702 | 782 | 882 | 976 | 1085 | 1203 |
| 72 (182.9) | 255 | 266 | 314 | 362 | 410 | 460 | 506 | 545 | 584 | 713 | 741 | 816 | 939 | 1037 | 1151 | 1277 |
| 78 (198.2) | 257 | 284 | 333 | 385 | 435 | 484 | 534 | 577 | 620 | 755 | 790 | 862 | 991 | 1093 | 1212 | 1349 |
| 84 (213.4) | 261 | 302 | 353 | 405 | 458 | 510 | 562 | 610 | 656 | 795 | 838 | 906 | 1041 | 1151 | 1277 | 1420 |
| 96 (243.9) | 265 | 325 | 385 | 444 | 503 | 557 | 624 | 677 | 728 | 889 | 974 | 1081 | 1201 | 1319 | 1438 | 1556 |
| 108 (274.4) | 298 | 365 | 431 | 498 | 564 | 632 | 698 | 759 | 818 | 1002 | 1063 | 1182 | 1311 | 1441 | | |
| 120 (304.8) | 330 | 405 | 479 | 554 | 628 | 703 | 774 | 842 | 908 | 1116 | 1155 | 1281 | 1422 | 1562 | | |
| 132 (335.3) | 368 | 450 | 533 | 615 | 696 | 781 | 862 | 936 | 1009 | 1238 | 1281 | 1422 | 1579 | 1734 | | |
| 144 (365.8) | 408 | 501 | 592 | 683 | 773 | 866 | 956 | 1052 | 1119 | 1374 | 1422 | 1579 | 1751 | 1924 | | |

Add Surcharge To Shade Price

| | | | | | | | | | | | | | | | | |
|---------------------------------------|------|-----|-----|-----|-----|-----|-----|-----|-----|-----|-----|-----|-----|-----|-----|-----|
| Square-corner Valance | \$58 | 61 | 62 | 65 | 67 | 70 | 74 | 76 | 77 | 81 | 83 | 88 | 92 | 96 | 98 | 100 |
| Continuous-Loop Small/Medium Cassette | 100 | 105 | 111 | 121 | 131 | 139 | 146 | 154 | 162 | 174 | 189 | 202 | 217 | 233 | 250 | 268 |
| Continuous-Loop Large Cassette | 119 | 125 | 132 | 145 | 156 | 166 | 175 | 186 | 195 | 209 | 226 | 242 | 260 | 279 | 300 | 322 |
| 3" (7.7 cm) Fascia | 91 | 96 | 100 | 107 | 116 | 124 | 131 | 139 | 147 | 155 | 162 | 179 | 194 | 210 | 225 | 242 |
| 4" (10.2 cm) Fascia | 105 | 111 | 117 | 131 | 142 | 155 | 168 | 181 | 183 | 195 | 208 | 231 | 256 | 280 | 305 | 328 |

Add Surcharge To Shade Price

How to Order

1. Select shade size (width x height) from price chart above
2. Add Cordless Lift or Smart Pull system surcharge
3. If desired, add the below Cassette Valance surcharge

| WIDTH UP TO inches (cm) → | 24 (61.0) | 32 (81.3) | 36 (91.5) | 42 (106.7) | 48 (122.0) | 54 (137.2) | 60 (152.4) | 66 (167.7) | 72 (182.9) | 78 (198.2) |
|---------------------------|-----------|-----------|-----------|------------|------------|------------|------------|------------|------------|------------|
| Cordless | \$119 | 119 | 119 | 119 | 119 | 119 | 119 | 119 | 119 | 119 |
| Smart Pull | 205 | 205 | 205 | 205 | 205 | 205 | 205 | 205 | 205 | 205 |
| Cassette Valance | 149 | 158 | 166 | 181 | 196 | 208 | 219 | 232 | 244 | 263 |

Colors

Roller Shade Styles and Colors

| | |
|------------------------|-------|
| Allure | |
| Fog | 02703 |
| Glimmer | 02706 |
| Latte | 02705 |
| Still Water | 02702 |
| Titanium | 02704 |
| Brilliance | |
| Chateau | 01902 |
| Grace | 01903 |
| Midnight | 01901 |
| Cambridge RD | |
| Clay | 11209 |
| French Toast | 11200 |
| Inkwell | 11205 |
| Ivory | 11203 |
| Off White | 11202 |
| Rainstorm | 11213 |
| White | 11201 |

| | |
|-------------------------|-------|
| Eventide | |
| Calming | 20002 |
| Cocoa | 20008 |
| Graphite | 20004 |
| Morning | 20003 |
| Peaceful | 20000 |
| Restful White | 20001 |

| | |
|----------------------|-------|
| Opulent | |
| Ebony | 00106 |
| Opal | 00101 |
| Pale Brown | 00103 |
| Parchment | 00102 |
| Twilight | 00104 |
| Zinc | 00105 |

Solar Shade Styles and Colors

| | |
|------------------------|-------|
| Marquesa | |
| Golden Hazel | 41031 |
| Linen | 41032 |
| Mushroom | 41038 |
| Powder | 41037 |
| Spa | 41036 |

Price Charts

Price Group LC1:

Solar Shade Fabric: SheerWeave® (1000, 2000, 2100, 2360, 2390, 2410, 2500, 2701, 2703, 2705, 2710, 3000, 4000, 4100, 4400, 4500, 4550, 4600, 4650, 4800)

| HEIGHT UP TO ↓ inches (cm) | WIDTH UP TO inches (cm) → | | | | | | | | | | | | | | | |
|----------------------------------|---------------------------|--------------|--------------|---------------|---------------|---------------|---------------|---------------|---------------|---------------|---------------|---------------|----------------|----------------|----------------|----------------|
| | 24 (61.0) | 32 (81.3) | 36 (91.5) | 42 (106.7) | 48 (122.0) | 54 (137.2) | 60 (152.4) | 66 (167.7) | 72 (182.9) | 78 (198.2) | 84 (213.4) | 96 (243.9) | 108 (274.4) | 120 (304.8) | 132 (335.3) | 144 (365.8) |
| 36 (91.5) | \$162 | 173 | 183 | 193 | 202 | 223 | 242 | 261 | 281 | 356 | 376 | 419 | 461 | 510 | 566 | 627 |
| 42 (106.7) | 165 | 176 | 191 | 208 | 222 | 245 | 266 | 285 | 310 | 387 | 409 | 458 | 501 | 555 | 617 | 686 |
| 48 (122.0) | 168 | 177 | 198 | 220 | 241 | 264 | 291 | 315 | 339 | 415 | 441 | 488 | 540 | 600 | 666 | 740 |
| 54 (137.2) | 170 | 180 | 207 | 231 | 257 | 285 | 312 | 338 | 363 | 446 | 476 | 526 | 581 | 648 | 719 | 798 |
| 60 (152.4) | 176 | 185 | 213 | 244 | 272 | 304 | 333 | 361 | 388 | 478 | 502 | 564 | 624 | 693 | 770 | 855 |
| 66 (167.7) | 178 | 192 | 225 | 259 | 292 | 326 | 358 | 384 | 414 | 525 | 553 | 622 | 687 | 761 | 847 | 939 |
| 72 (182.9) | 180 | 202 | 239 | 275 | 309 | 346 | 382 | 407 | 441 | 572 | 602 | 678 | 747 | 830 | 920 | 1021 |
| 78 (198.2) | 185 | 215 | 252 | 291 | 329 | 365 | 403 | 433 | 471 | 619 | 655 | 733 | 808 | 898 | 996 | 1104 |
| 84 (213.4) | 193 | 228 | 266 | 306 | 346 | 386 | 424 | 462 | 499 | 666 | 704 | 788 | 871 | 964 | 1071 | 1187 |
| 96 (243.9) | 200 | 246 | 292 | 337 | 379 | 425 | 471 | 510 | 550 | 754 | 803 | 902 | 1000 | 1111 | 1234 | 1409 |
| 108 (274.4) | 226 | 278 | 327 | 377 | 426 | 478 | 527 | 573 | 618 | 824 | 903 | 1014 | 1127 | 1250 | 1369 | 1576 |
| 120 (304.8) | 249 | 307 | 363 | 419 | 476 | 533 | 587 | 637 | 687 | 894 | 1000 | 1127 | 1222 | 1356 | 1504 | 1671 |
| 132 (335.3) | 281 | 342 | 404 | 466 | 527 | 589 | 652 | 704 | 761 | 990 | 1111 | 1250 | 1356 | 1505 | 1671 | 1854 |
| 144 (365.8) | 309 | 378 | 447 | 518 | 586 | 655 | 723 | 784 | 845 | 1101 | 1234 | 1388 | 1504 | 1671 | 1854 | 2059 |

Add Surcharge To Shade Price

| | | | | | | | | | | | | | | | | |
|---|------|-----|-----|-----|-----|-----|-----|-----|-----|-----|-----|-----|-----|-----|-----|-----|
| Square-corner Valance | \$58 | 61 | 62 | 65 | 67 | 70 | 74 | 76 | 77 | 81 | 83 | 88 | 92 | 96 | 98 | 100 |
| Continuous-Loop Small/Medium Cassette Valance | 100 | 105 | 111 | 121 | 131 | 139 | 146 | 154 | 162 | 174 | 189 | 202 | 217 | 233 | 250 | 268 |
| Continuous-Loop Large Cassette Valance | 119 | 125 | 132 | 145 | 156 | 166 | 175 | 186 | 195 | 209 | 226 | 242 | 260 | 279 | 300 | 322 |
| 3" (7.7 cm) Fascia | 91 | 96 | 100 | 107 | 116 | 124 | 131 | 139 | 147 | 155 | 162 | 179 | 194 | 210 | 225 | 242 |
| 4" (10.2 cm) Fascia | 105 | 111 | 117 | 131 | 142 | 155 | 168 | 181 | 183 | 195 | 208 | 231 | 256 | 280 | 305 | 328 |

Add Surcharge To Shade Price

How to Order

1. Select shade size (width x height) from price chart above
2. Add Cordless Lift or Smart Pull system surcharge
3. If desired, add the below Cassette Valance surcharge

| WIDTH UP TO inches (cm) → | 24 (61.0) | 32 (81.3) | 36 (91.5) | 42 (106.7) | 48 (122.0) | 54 (137.2) | 60 (152.4) | 66 (167.7) | 72 (182.9) | 78 (198.2) |
|---------------------------|-----------|-----------|-----------|------------|------------|------------|------------|------------|------------|------------|
| Cordless | \$119 | 119 | 119 | 119 | 119 | 119 | 119 | 119 | 119 | 119 |
| Smart Pull | 205 | 205 | 205 | 205 | 205 | 205 | 205 | 205 | 205 | 205 |
| Cassette Valance | 149 | 158 | 166 | 181 | 196 | 208 | 219 | 232 | 244 | 263 |

* Smart Pull is not available with the following fabrics: SW2500, SW4000, SW4100, SW4400, SW4600, and SW4800.

Colors: See Next Page

Price Charts

Price Group LC1: Colors

Sheerweave® 1000

Antique White.....P0310
White.....P0210

Sheerweave 2000

Bone.....Q0520
Bone/Platinum.....Q0620
Bronze.....Q1020
Charcoal.....V2120
Charcoal/Chestnut.....V2420
Charcoal/Gray.....V2220
Platinum.....V0420
White.....P0220
White/Bone.....P0420
White/Platinum.....P0520

Sheerweave 2100

Bone.....Q0521
Bone/Platinum.....Q0621
Bronze.....Q1021
Charcoal.....V2121
Charcoal/Chestnut.....V2421
Charcoal/Gray.....V2221
Platinum.....V0421
White.....P0221
White/Bone.....P0421
White/Platinum.....P0521

Sheerweave 2360

Beige.....Q2026
Beige/Pearl Gray.....Q2126
Charcoal.....V2126
Charcoal/Alpaca.....V3226
Charcoal/Chestnut.....V2426
Charcoal/Gray.....V2226
Oyster.....P1226
Oyster/Beige.....P1326
Oyster/Pearl Gray.....P1426
Pearl Gray.....V2026

Sheerweave 2390

Beige.....Q2029
Beige/Pearl Gray.....Q2129
Charcoal.....V2129
Charcoal/Alpaca.....V3229
Charcoal/Chestnut.....V2429
Charcoal/Gray.....V2229
Oyster.....P1229
Oyster/Beige.....P1329
Oyster/Pearl Gray.....P1429
Pearl Gray.....V2029

Sheerweave 2410

Beige.....Q2024
Beige/Pearl Gray.....Q2124
Charcoal.....V2124
Charcoal/Alpaca.....V3224
Charcoal/Chestnut.....V2424
Charcoal/Gray.....V2224
Oyster.....P1224
Oyster/Beige.....P1324
Oyster/Pearl Gray.....P1424
Pearl Gray.....V2024

Sheerweave 2500

Beige.....Q2025
Beige/Pearl Gray.....Q2125
Charcoal.....V2125
Charcoal/Alpaca.....V3225
Charcoal/Chestnut.....V2425
Charcoal/Gray.....V2225
Oyster.....P1225
Oyster/Beige.....P1325
Oyster/Pearl Gray.....P1425
Pearl Gray.....V2025

Sheerweave 2701

Oyster.....P1227
Oyster/Beige.....P1327
Oyster/Charcoal.....P2827
Oyster/Chestnut.....P9227
Oyster/Pewter.....P9127

Sheerweave 2703

Oyster.....P1273
Oyster/Beige.....P2273
Oyster/Charcoal.....P3273
Oyster/Chestnut.....P5273
Oyster/Pewter.....P4273

Solar Shade Styles and Colors, Cont.

Sheerweave 2705

Oyster.....P1275
Oyster/Beige.....P2275
Oyster/Charcoal.....P3275
Oyster/Chestnut.....P5275
Oyster/Pewter.....P4275

Sheerweave 2710

Oyster.....P1710
Oyster/Beige.....P2710
Oyster/Charcoal.....P3710
Oyster/Chestnut.....P5710
Oyster/Pewter.....P4710

Sheerweave 3000

Chocolate.....Q0430
Custard Cream.....Q0230
Espresso.....Q1830
Honey Sage.....Q1930
Mushroom Sand.....Q0130
Ninja Grey.....V0230
Pale Grey.....V0130
Pearl White.....P0130
Sand Dollar.....Q1730

Sheerweave 4000

Alabaster.....P0740
Ash.....V1540
Chalk.....P0640
Ebony.....V1040
Granite.....P1040
Greystone.....Q1540
Pebblestone.....Q1240
Pewter.....V0740
Tobacco.....Q1640

Sheerweave 4100

Alabaster.....P0741
Ash.....V1541
Chalk.....P0641
Ebony.....V1041
Granite.....P1041
Greystone.....Q1541
Pebblestone.....Q1241
Pewter.....V0741
Tobacco.....Q1641

Sheerweave 4400

Alabaster.....P0744
Ash.....V1544
Chalk.....P0644
Ebony.....V1044
Granite.....P1044
Greystone.....Q1544
Pebblestone.....Q1244
Pewter.....V0744
Tobacco.....Q1644

Sheerweave 4500

Cappuccino.....V9545
Chalk.....P0645
Dark Bronze.....V9645
Ebony.....V1045
Ecru.....Q5945
Golden Sand.....Q6045
Granite.....P0450
Linen.....U3245
Pewter.....V0745
Sandstone.....V4445

Sheerweave 4550

Chestnut.....V4745
Coal.....V4545
Granite.....P1045
Linen.....P6545

Sheerweave 4600

Cappuccino.....V9546
Chalk.....P0646
Dark Bronze.....V9646
Ebony.....V1046
Ecru.....Q5946
Golden Sand.....Q6046
Granite.....P0460
Linen.....U3246
Pewter.....V0746
Sandstone.....V4446

Sheerweave 4650

Chestnut.....V4746
Coal.....V4546
Granite.....P1046
Linen.....P6546

Sheerweave 4800

Alabaster.....P0748
Chalk.....P0648
Clay.....V6048
Ebony.....V1048
Fleece.....V5948
Flint.....V6248
Grey.....V1648
Mink.....V6148
Mocha.....Q9848
Pearl.....P7548
Sand.....Q9748
Taupe.....Q9948

Price Charts

Price Group LC2: Roller Shade Fabric: Sheerweave® 7000, Sheerweave 7100 Solar Shade Fabric: E Screen 1%, E Screen 3%, M Screen 3%, M Screen 5%

| HEIGHT UP TO inches (cm) | WIDTH UP TO inches (cm) → | | | | | | | | | | | | | | | |
|--------------------------------|---------------------------|--------------|--------------|---------------|---------------|---------------|---------------|---------------|---------------|---------------|---------------|---------------|----------------|----------------|----------------|----------------|
| | 24 (61.0) | 32 (81.3) | 36 (91.5) | 42 (106.7) | 48 (122.0) | 54 (137.2) | 60 (152.4) | 66 (167.7) | 72 (182.9) | 78 (198.2) | 84 (213.4) | 96 (243.9) | 108 (274.4) | 120 (304.8) | 132 (335.3) | 144 (365.8) |
| 36 (91.5) | \$232 | 245 | 260 | 273 | 287 | 315 | 344 | 372 | 399 | 506 | 534 | 596 | 653 | 724 | 804 | 891 |
| 42 (106.7) | 238 | 254 | 270 | 287 | 314 | 346 | 377 | 411 | 440 | 548 | 580 | 645 | 709 | 787 | 877 | 971 |
| 48 (122.0) | 244 | 259 | 282 | 310 | 341 | 376 | 412 | 445 | 478 | 590 | 626 | 694 | 764 | 852 | 947 | 1051 |
| 54 (137.2) | 251 | 266 | 292 | 327 | 362 | 403 | 443 | 478 | 513 | 634 | 669 | 745 | 823 | 919 | 1019 | 1130 |
| 60 (152.4) | 262 | 273 | 300 | 344 | 387 | 432 | 475 | 512 | 550 | 676 | 711 | 800 | 885 | 982 | 1089 | 1209 |
| 66 (167.7) | 266 | 280 | 317 | 367 | 416 | 462 | 511 | 551 | 589 | 721 | 753 | 838 | 946 | 1046 | 1163 | 1290 |
| 72 (182.9) | 273 | 285 | 337 | 388 | 440 | 493 | 542 | 584 | 626 | 764 | 794 | 875 | 1007 | 1112 | 1234 | 1369 |
| 78 (198.2) | 276 | 304 | 357 | 413 | 466 | 519 | 572 | 619 | 665 | 809 | 847 | 924 | 1062 | 1172 | 1299 | 1446 |
| 84 (213.4) | 280 | 324 | 378 | 434 | 491 | 547 | 602 | 654 | 703 | 852 | 898 | 971 | 1116 | 1234 | 1369 | 1522 |
| 96 (243.9) | 284 | 348 | 413 | 476 | 539 | 597 | 669 | 726 | 780 | 953 | 1044 | 1159 | 1287 | 1414 | 1542 | 1668 |
| 108 (274.4) | 319 | 391 | 462 | 534 | 605 | 678 | 748 | 814 | 877 | 1074 | 1140 | 1267 | 1405 | 1545 | 1684 | 1826 |
| 120 (304.8) | 354 | 434 | 513 | 594 | 673 | 754 | 830 | 903 | 973 | 1196 | 1238 | 1373 | 1524 | 1674 | 1827 | 1977 |
| 132 (335.3) | 394 | 482 | 571 | 659 | 746 | 837 | 924 | 1003 | 1082 | 1327 | 1373 | 1524 | 1693 | 1859 | 2027 | 2195 |
| 144 (365.8) | 437 | 537 | 635 | 732 | 829 | 928 | 1025 | 1128 | 1200 | 1473 | 1524 | 1693 | 1877 | 2063 | 2249 | 2436 |

Add Surcharge To Shade Price

| | | | | | | | | | | | | | | | | |
|---------------------------------------|------|-----|-----|-----|-----|-----|-----|-----|-----|-----|-----|-----|-----|-----|-----|-----|
| Square-corner Valance | \$58 | 61 | 62 | 65 | 67 | 70 | 74 | 76 | 77 | 81 | 83 | 88 | 92 | 96 | 98 | 100 |
| Continuous-Loop Small/Medium Cassette | 100 | 105 | 111 | 121 | 131 | 139 | 146 | 154 | 162 | 174 | 189 | 202 | 217 | 233 | 250 | 268 |
| Continuous-Loop Large Cassette | 119 | 125 | 132 | 145 | 156 | 166 | 175 | 186 | 195 | 209 | 226 | 242 | 260 | 279 | 300 | 322 |
| 3" (7.7 cm) Fascia | 91 | 96 | 100 | 107 | 116 | 124 | 131 | 139 | 147 | 155 | 162 | 179 | 194 | 210 | 225 | 242 |
| 4" (10.2 cm) Fascia | 105 | 111 | 117 | 131 | 142 | 155 | 168 | 181 | 183 | 195 | 208 | 231 | 256 | 280 | 305 | 328 |

Add Surcharge To Shade Price

How to Order

1. Select shade size (width x height) from price chart above
2. Add Cordless Lift or Smart Pull system surcharge
3. If desired, add the below Cassette Valance surcharge

| WIDTH UP TO inches (cm) → | 24 (61.0) | 32 (81.3) | 36 (91.5) | 42 (106.7) | 48 (122.0) | 54 (137.2) | 60 (152.4) | 66 (167.7) | 72 (182.9) | 78 (198.2) |
|---------------------------|-----------|-----------|-----------|------------|------------|------------|------------|------------|------------|------------|
| Cordless | \$119 | 119 | 119 | 119 | 119 | 119 | 119 | 119 | 119 | 119 |
| Smart Pull | 205 | 205 | 205 | 205 | 205 | 205 | 205 | 205 | 205 | 205 |
| Cassette Valance | 149 | 158 | 166 | 181 | 196 | 208 | 219 | 232 | 244 | 263 |

Colors

Roller Shade Styles and Colors

Sheerweave® 7000

| | |
|--------------------|-------|
| Birch | P6370 |
| Canvas | U6770 |
| Canyon | V4170 |
| Cocoa | U6970 |
| Graphite | P3970 |
| Mushroom | Q5870 |
| Onyx | V4070 |
| Sand | P6470 |
| Wheat | Q5770 |
| White | P6270 |

Sheerweave 7100

| | |
|--------------------------|-------|
| Bone | Q0571 |
| Bone/Platinum | Q0671 |
| Charcoal | V2171 |
| White | P0271 |
| White/Bone | P0471 |
| White/Platinum | P0571 |

Solar Shade Styles and Colors

E Screen 1%

| | |
|--------------------------|-------|
| Charcoal | 13030 |
| Charcoal/Cocoa | 13061 |
| Charcoal/Grey | 10001 |
| Linen | 12020 |
| White | 10202 |
| White/Linen | 10220 |
| White/Pearl | 10207 |

E Screen 3%

| | |
|--------------------------|-------|
| Charcoal | 33030 |
| Charcoal/Cocoa | 33061 |
| Charcoal/Grey | 33001 |
| Linen | 32020 |
| White | 30202 |
| White/Linen | 30220 |
| White/Pearl | 30207 |

M Screen 3%

| | |
|-----------------------------|-------|
| Charcoal/Apricot | M3071 |
| Charcoal/Charcoal | M3030 |
| Charcoal/Grey | M3001 |
| Charcoal/Sable | M3010 |
| Linen/Stone | M2022 |
| Pearl/Linen | M0720 |
| Pearl/Pearl | M0707 |
| White/Linen | M0220 |
| White/Stone | M0222 |
| White/White | M0202 |

M Screen 5%

| | |
|-----------------------------|-------|
| Charcoal/Apricot | N3071 |
| Charcoal/Charcoal | N3030 |
| Charcoal/Grey | N3001 |
| Charcoal/Sable | N3010 |
| Cocoa/Charcoal | N0130 |
| Linen/Stone | N2022 |
| Pearl/Linen | N0720 |
| Pearl/Pearl | N0707 |
| White/Linen | N0220 |
| White/Pearl | N0207 |
| White/Stone | N0222 |
| White/White | N0202 |

**Price Group LC3: Solar Shade Fabric: Sheerweave® Performance Plus 2390,
Sheerweave Performance Plus 2410**

| HEIGHT UP TO ↓ inches (cm) | WIDTH UP TO inches (cm) → | | | | | | | | | | | | | | | |
|----------------------------------|---------------------------|--------------|--------------|---------------|---------------|---------------|---------------|---------------|---------------|---------------|---------------|---------------|----------------|----------------|----------------|----------------|
| | 24 (61.0) | 32 (81.3) | 36 (91.5) | 42 (106.7) | 48 (122.0) | 54 (137.2) | 60 (152.4) | 66 (167.7) | 72 (182.9) | 78 (198.2) | 84 (213.4) | 96 (243.9) | 108 (274.4) | 120 (304.8) | 132 (335.3) | 144 (365.8) |
| 36 (91.5) | \$305 | 323 | 342 | 360 | 377 | 415 | 451 | 489 | 526 | 665 | 701 | 784 | 859 | 951 | 1056 | 1170 |
| 42 (106.7) | 311 | 334 | 355 | 377 | 414 | 455 | 495 | 539 | 579 | 719 | 762 | 848 | 932 | 1035 | 1152 | 1277 |
| 48 (122.0) | 321 | 341 | 370 | 409 | 446 | 494 | 540 | 585 | 630 | 774 | 822 | 912 | 1004 | 1120 | 1244 | 1380 |
| 54 (137.2) | 330 | 350 | 381 | 429 | 476 | 531 | 583 | 630 | 675 | 833 | 879 | 981 | 1083 | 1207 | 1339 | 1485 |
| 60 (152.4) | 343 | 360 | 394 | 451 | 509 | 567 | 625 | 674 | 723 | 889 | 934 | 1050 | 1163 | 1290 | 1432 | 1590 |
| 66 (167.7) | 350 | 368 | 419 | 482 | 545 | 608 | 672 | 724 | 772 | 948 | 988 | 1101 | 1243 | 1376 | 1529 | 1696 |
| 72 (182.9) | 360 | 374 | 442 | 510 | 579 | 647 | 714 | 768 | 822 | 1004 | 1043 | 1150 | 1323 | 1461 | 1622 | 1799 |
| 78 (198.2) | 364 | 400 | 471 | 541 | 612 | 683 | 751 | 814 | 872 | 1065 | 1112 | 1213 | 1396 | 1541 | 1709 | 1902 |
| 84 (213.4) | 368 | 425 | 497 | 572 | 646 | 718 | 792 | 860 | 927 | 1120 | 1182 | 1277 | 1466 | 1622 | 1799 | 2001 |
| 96 (243.9) | 373 | 459 | 541 | 626 | 709 | 786 | 879 | 954 | 1026 | 1254 | 1373 | 1524 | 1693 | 1858 | 2025 | 2193 |
| 108 (274.4) | 420 | 514 | 608 | 701 | 795 | 890 | 984 | 1069 | 1152 | 1412 | 1498 | 1663 | 1848 | 2030 | 2214 | 2398 |
| 120 (304.8) | 466 | 572 | 675 | 782 | 885 | 989 | 1092 | 1187 | 1280 | 1573 | 1628 | 1804 | 2004 | 2202 | 2400 | 2598 |
| 132 (335.3) | 520 | 635 | 750 | 867 | 982 | 1099 | 1213 | 1319 | 1422 | 1745 | 1804 | 2004 | 2224 | 2445 | 2665 | 2886 |
| 144 (365.8) | 576 | 706 | 835 | 962 | 1091 | 1219 | 1348 | 1483 | 1578 | 1936 | 2004 | 2224 | 2468 | 2712 | 2956 | 3201 |

Add Surcharge To Shade Price

| | | | | | | | | | | | | | | | | |
|---------------------------------------|------|-----|-----|-----|-----|-----|-----|-----|-----|-----|-----|-----|-----|-----|-----|-----|
| Square-corner Valance | \$58 | 61 | 62 | 65 | 67 | 70 | 74 | 76 | 77 | 81 | 83 | 88 | 92 | 96 | 98 | 100 |
| Continuous-Loop Small/Medium Cassette | 100 | 105 | 111 | 121 | 131 | 139 | 146 | 154 | 162 | 174 | 189 | 202 | 217 | 233 | 250 | 268 |
| Continuous-Loop Large Cassette | 119 | 125 | 132 | 145 | 156 | 166 | 175 | 186 | 195 | 209 | 226 | 242 | 260 | 279 | 300 | 322 |
| 3" (7.7 cm) Fascia | 91 | 96 | 100 | 107 | 116 | 124 | 131 | 139 | 147 | 155 | 162 | 179 | 194 | 210 | 225 | 242 |
| 4" (10.2 cm) Fascia | 105 | 111 | 117 | 131 | 142 | 155 | 168 | 181 | 183 | 195 | 208 | 231 | 256 | 280 | 305 | 328 |

Add Surcharge To Shade Price

How to Order

1. Select shade size (width x height) from price chart above
2. Add Cordless Lift or Smart Pull system surcharge
3. If desired, add the below Cassette Valance surcharge

| WIDTH UP TO inches (cm) → | 24 (61.0) | 32 (81.3) | 36 (91.5) | 42 (106.7) | 48 (122.0) | 54 (137.2) | 60 (152.4) | 66 (167.7) | 72 (182.9) | 78 (198.2) |
|---------------------------|-----------|-----------|-----------|------------|------------|------------|------------|------------|------------|------------|
| Cordless | \$119 | 119 | 119 | 119 | 119 | 119 | 119 | 119 | 119 | 119 |
| Smart Pull | 205 | 205 | 205 | 205 | 205 | 205 | 205 | 205 | 205 | 205 |
| Cassette Valance | 149 | 158 | 166 | 181 | 196 | 208 | 219 | 232 | 244 | 263 |

Colors

Solar Shade Styles and Colors

Sheerweave

Performance Plus 2390

| | |
|-------------------------|-------|
| Beige | 2029P |
| Beige/Pearl Gray | 2129P |
| Charcoal | 3229P |
| Charcoal/Alpaca | 2429P |
| Charcoal/Chestnut | 2229P |
| Charcoal/Gray | P2129 |
| Oyster | 1229P |
| Oyster/Beige | 1329P |
| Oyster/Pearl Gray | 1429P |
| Pearl Gray | P2029 |

Sheerweave

Performance Plus 2410

| | |
|-------------------------|-------|
| Beige | 2024P |
| Beige/Pearl Gray | 2124P |
| Charcoal | 3224P |
| Charcoal/Alpaca | 2424P |
| Charcoal/Chestnut | 2224P |
| Charcoal/Gray | P2124 |
| Oyster | 1224P |
| Oyster/Beige | 1324P |
| Oyster/Pearl Gray | 1424P |
| Pearl Gray | P2024 |

Cut Yardage Fabric Program

Cut Surcharge Per Line \$20

- All trims are available (1 linear yard (91.5 cm) minimum).
- Cut yardage is provided as is; there is no warranty regarding suitability in desired application.

| Fabric Style | Color Name | Usable Fabric Width inches (cm) | Price Per Yard (0.9 m) |
|--------------|--------------|------------------------------------|---------------------------|
| A100 | All Colors | 96 (243.9) | \$149 |
| A300 | All Colors | 95½ (242.6) | 63 |
| A500 | All Colors | 95½ (242.6) | 63 |
| Allure | All Colors | 107¼ (273.7) | 113 |
| Aura | All Colors | 96 (243.9) | 95 |
| B500 | All Colors | 96 (243.9) | 130 |
| B1000 | All Colors | 96 (243.9) | 85 |
| Bamboo | All Colors | 96 (243.9) | 95 |
| Cambridge LF | Clay | 91¼ (233.0) | 72 |
| | Cobblestone | 91¼ (233.0) | |
| | French Toast | 91¼ (233.0) | |
| | Inkwell | 91¼ (233.0) | |
| | Ivory | 76 (193.1) | |
| | Off White | 91¼ (233.0) | |
| | Rainstorm | 76 (193.1) | |
| | White | 91¼ (233.0) | |
| Cambridge RD | Clay | 91¼ (233.0) | 113 |
| | Cobblestone | 91¼ (233.0) | |
| | French Toast | 91¼ (233.0) | |
| | Inkwell | 91¼ (233.0) | |
| | Ivory | 76 (193.1) | |
| | Off White | 91¼ (233.0) | |
| | Rainstorm | 76 (193.1) | |
| | White | 91¼ (233.0) | |
| Capri | All Colors | 70 (177.8) | 55 |
| Cirrus | All Colors | 96 (243.9) | 70 |

| Fabric Style | Color Name | Usable Fabric Width inches (cm) | Price Per Yard (0.9 m) |
|---------------------|------------|------------------------------------|---------------------------|
| Contour | All Colors | 96 (243.9) | \$95 |
| Crossweave | All Colors | 71½ (181.6) | 89 |
| Crystalline | All Colors | 76 (193.1) | 89 |
| Crystalline Essence | All Colors | 76 (193.1) | 89 |
| Cumulus | All Colors | 95½ (242.6) | 72 |
| Debut | All Colors | 84 (213.4) | 89 |
| Elements | All Colors | 107½ (273.1) | 95 |
| Essential | All Colors | 69½ (177.5) | 54 |
| Eventide | All Colors | 116 (294.6) | 195 |
| Fern | All Colors | 96 (243.9) | 95 |
| Harmony | All Colors | 91¼ (233.0) | 72 |
| Linen | All Colors | 96 (243.9) | 95 |
| Marquesa | All Colors | 96 (243.9) | 113 |
| Menagerie | All Colors | 96 (243.9) | 95 |
| Monaco | All Colors | 76 (193.1) | 89 |
| Monticello | All Colors | 95½ (242.6) | 72 |
| Opulent | All Colors | 95½ (242.6) | 132 |
| Origins | All Colors | 96 (243.9) | 95 |
| Prairie | All Colors | 107½ (273.1) | 95 |
| Riverbend | All Colors | 71½ (181.6) | 89 |
| Royale | All Colors | 71½ (181.6) | 89 |
| Rujin | All Colors | 71½ (181.6) | 89 |
| Scripture | All Colors | 84 (213.4) | 89 |
| Sedona | All Colors | 71½ (181.6) | 89 |
| SheerWeave® 1000 | All Colors | 82 (208.3) | 63 |
| SheerWeave 2000 | All Colors | 96 (243.9) | 85 |

NOTE: The material will be approximately 1" (2.6 cm) – 2" (5.1 cm) wider due to selvage edge.

Options Pricing

Cut Yardage Fabric Program

Cut Surcharge Per Line \$20

- All trims are available (1 linear yard (91.5 cm) minimum).
- Cut yardage is provided as is; there is no warranty regarding suitability in desired application.

| Fabric Style | Color Name | Usable Fabric Width inches (cm) | Price Per Yard (0.9 m) |
|-----------------|------------|------------------------------------|---------------------------|
| SheerWeave 2100 | All Colors | 96 (243.9) | \$85 |
| SheerWeave 2360 | All Colors | 96 (243.9) | 85 |
| SheerWeave 2390 | All Colors | 124 (315.0) | 100 |
| SheerWeave 2410 | All Colors | 124 (315.0) | 105 |
| SheerWeave 2500 | All Colors | 124 (315.0) | 149 |
| SheerWeave 2701 | All Colors | 96 (243.9) | 110 |
| SheerWeave 2703 | All Colors | 96 (243.9) | 105 |
| SheerWeave 2705 | All Colors | 96 (243.9) | 100 |
| SheerWeave 2710 | All Colors | 96 (243.9) | 95 |
| SheerWeave 3000 | All Colors | 94 (238.8) | 72 |
| SheerWeave 4000 | All Colors | 124 (315.0) | 125 |
| SheerWeave 4100 | All Colors | 96 (243.9) | 85 |
| SheerWeave 4400 | All Colors | 124 (315.0) | 135 |
| SheerWeave 4500 | All Colors | 96 (243.9) | 95 |

| Fabric Style | Color Name | Usable Fabric Width inches (cm) | Price Per Yard (0.9 m) |
|------------------|------------|------------------------------------|---------------------------|
| SheerWeave® 4550 | All Colors | 96 (243.9) | \$95 |
| SheerWeave 4600 | All Colors | 96 (243.9) | 105 |
| SheerWeave 4650 | All Colors | 96 (243.9) | 105 |
| SheerWeave 4800 | All Colors | 94 (238.8) | 105 |
| SheerWeave 5000 | All Colors | 96 (243.9) | 95 |
| SheerWeave 7000 | All Colors | 116 (294.6) | 195 |
| SheerWeave 7100 | All Colors | 94 (238.8) | 118 |
| Sheffield | All Colors | 71½ (181.6) | 72 |
| Stratus | All Colors | 93½ (237.5) | 72 |
| Suburban II | All Colors | 71½ (181.6) | 89 |
| Tranquility | All Colors | 96 (243.9) | 95 |
| Twine | All Colors | 96 (243.9) | 95 |
| Wicker | All Colors | 96 (243.9) | 95 |

NOTE: The material will be approximately 1" (2.6 cm) – 2" (5.1 cm) wider due to selvage edge.

Cut Yardage Trim Program

Cut Surcharge Per Line \$20

- All trims are available (1 linear yard minimum).
- Cut yardage is provided as is; there is no warranty regarding suitability in desired application.

| Trim Style | Price Per Yard (0.9 m) |
|--------------------------------|---------------------------|
| 1" (2.6 cm) Teardrop Bead Trim | \$10 |
| 7/16" (1.1 cm) Gimp | 6 |

Options Pricing

| Options Pricing | |
|--|---|
| Option | Surcharge |
| Valance/Cassette Valance | See surcharges under Price Charts |
| Chain Color or type (Plastic or Stainless) | No charge |
| Bay and Corner Window Shades | No charge |
| Bead and Fringe Trim | See Price Chart below for surcharge |
| Component Size Upgrades | Clutch Upgrade – SL15 \$39; SL20 \$55; SL30 \$69 Tube Upgrade – 1½" (3.9 cm) \$47; 2" (5.1 cm) \$100; 2½" (6.4 cm) \$162 |
| Continuous-loop Lift System | Standard Spring Idle End or Stationary Idle End – No Charge |
| Cordless Lift System | See surcharges under Price Charts |
| Cut Yardage – Fabric and Trim | See Cut Yardage Pricing |
| Dual Shade | See Dual Shade Options Pricing for ordering information; surcharge \$49 |
| Fabric turned 90° (width for height) | No charge |
| Fascia | See surcharges under Price Charts |
| Hem Bar | Fabric-Wrapped – Standard; No Charge Sealed Hem Bar – Optional; No Charge |
| Hold down Brackets | No charge |
| Motorized Lift | See Motorization Tab for pricing information |
| Projection Brackets | No charge |
| Reverse Roll | No charge |
| Scallop with Gimp | See Price Chart below for surcharge |
| Seaming | No charge |
| Smart Pull Lift System | See surcharges under Price Charts |
| Square-corner Valance and Returns | See surcharges under Price Charts |
| Wood Cornice and Valance | See Cornice and Valance Tab for pricing information |

| Surcharge for Scallop with Gimp, Fringe and Bead Trim | | | | | | | | | | | |
|---|--------------|---------------|---------------|---------------|---------------|---------------|---------------|----------------|----------------|----------------|----------------|
| WIDTH UP TO inches (cm) → | 36 (91.4) | 48 (121.9) | 60 (152.4) | 72 (182.9) | 78 (198.1) | 84 (213.4) | 96 (243.8) | 108 (274.3) | 120 (304.8) | 132 (335.3) | 144 (365.8) |
| Scallop with Gimp | \$95 | 100 | 102 | 106 | 108 | 112 | 115 | 119 | 121 | 126 | 130 |
| Bead and Fringe Trim | 119 | 128 | 133 | 138 | 143 | 149 | 156 | 162 | 166 | 172 | 179 |

| Square-Corner Valance Only Pricing | | | | | | | | | | | | | | | | | | | |
|------------------------------------|--------------|--------------|---------------|---------------|---------------|---------------|---------------|---------------|---------------|---------------|---------------|----------------|----------------|----------------|----------------|----------------|----------------|----------------|----------------|
| WIDTH UP TO inches (cm) → | | | | | | | | | | | | | | | | | | | |
| 24 (61.0) | 32 (81.3) | 36 (91.5) | 42 (106.7) | 48 (122.0) | 54 (137.2) | 60 (152.4) | 66 (167.7) | 72 (182.9) | 78 (198.2) | 84 (213.4) | 96 (243.9) | 108 (274.4) | 120 (304.8) | 132 (335.3) | 144 (365.8) | 156 (396.3) | 168 (426.7) | 180 (457.2) | 192 (487.7) |
| \$58 | 61 | 62 | 65 | 67 | 70 | 74 | 76 | 77 | 81 | 83 | 88 | 92 | 96 | 98 | 100 | 103 | 105 | 107 | 110 |

NOTE: Cassette Valance and Fascia must be ordered at the same time as the shade; not available for purchase as valance only.



Graber is a brand of Springs Window Fashions, the Best Experience Company 

Graber and the Graber logo are registered trademarks of Springs Window Fashions, LLC.