

OVERTURE SHEER SHADES

Table of Contents

Features and Size Considerations

Summary.....	2
Fabric Styles and Information.....	3
Light Control and Privacy.....	4
Fabric Recommendations, Light Gap, Fabric Disclaimers, Cleaning and Care Information, Fabric Certification.....	4
Size Considerations.....	5-6

Options

Summary.....	7
Projection Brackets.....	7
Continuous-Loop Lift Control.....	8
Motorized Lift.....	8
Corner Windows.....	9
Adjacent Shadings.....	9
Bay Windows.....	10

General Information

Continuous-Loop Lift.....	11-12
Motorized Lift.....	12
Continuous-Loop Lift Product Detail.....	13
Color Coordination Charts.....	14-15

Price Charts and Option Pricing

Price Group A: Marisco.....	17
Price Group B: Glessner, Roslin, Winchester.....	17
Price Group C: Glessner Woven, San Simeon, Winchester Woven.....	18
Price Group D: Glessner Sheen, Winchester Sheen.....	18
Options Pricing.....	19



Features

Overture Sheer Shades

- Two layers of fabric encase lightweight fabric vanes for effortless light control
- The sheer softens incoming light and helps filter out harmful UV rays while providing an outside view
- The Light Filtering option allows soft light to flow through while providing privacy
- The Room Darkening Sheer Shades block light effectively for eliminating sunlight glare on your TV
- Smaller vanes are often better for smaller-sized windows while larger vanes work best for larger windows and have the added advantage of providing more view-through
- Shades block up to 99% of UV rays when closed

Features	Benefits
Continuous-Loop Lift	<ul style="list-style-type: none"> • Cord and clutch system makes raising and lowering shade easy • Cord remains at same length, regardless of shade position • Choose left or right cord location • Color-coordinated cords • Choose from six colors of bottomrail
Motorized Lift	<ul style="list-style-type: none"> • Window treatments can be operated from virtually anywhere in the home • Easily operate hard-to-reach or large window coverings • Operate multiple window treatments simultaneously or individually
Fabric-Wrapped Cassette	<ul style="list-style-type: none"> • Fabric-wrapped cassette (standard) creates a cohesive appearance in the window
Warranty	<ul style="list-style-type: none"> • Limited Lifetime Warranty and five-year warranty on motorization components

Features

Fabric Styles and Information: Sheer Shades							
Style Name	Color Name	Price Group	Opacity/Privacy/ Light Control	Fabric Composition	Oeko-Tex® Certified	Fire Retardant Rated	Color to Street side
Glessner 2" (5.1 cm) Glessner 3" (7.7 cm)	Apple Blossom	B	Light Filtering	100% Polyester	✓	✓	
	Bechamel	B	Light Filtering	100% Polyester	✓	✓	
	Cavalry	B	Light Filtering	100% Polyester	✓	✓	
	Downtown	B	Light Filtering	100% Polyester	✓	✓	
	Glacial	B	Light Filtering	100% Polyester	✓	✓	
	Lemongrass	B	Light Filtering	100% Polyester	✓	✓	
	Limestone	B	Light Filtering	100% Polyester	✓	✓	
	Macchiato	B	Light Filtering	100% Polyester	✓	✓	
	Merlot	B	Light Filtering	100% Polyester	✓	✓	
	Portico	B	Light Filtering	100% Polyester	✓	✓	
	Rodeo Drive	B	Light Filtering	100% Polyester	✓	✓	
	Sable	B	Light Filtering	100% Polyester	✓	✓	
	Sandstone	B	Light Filtering	100% Polyester	✓	✓	
	Stationery	B	Light Filtering	100% Polyester	✓	✓	
	Vellum	B	Light Filtering	100% Polyester	✓	✓	
Glessner Sheen 2" (5.1 cm)	Bubbly	D	Light Filtering	100% Polyester	✓	✓	
Glessner Sheen 3" (7.7 cm)	Limousine	D	Light Filtering	100% Polyester	✓	No	
	Soiree	D	Light Filtering	100% Polyester	✓	✓	
Glessner Woven 2" (5.1 cm) Glessner Woven 3" (7.7 cm)	Bamboo	C	Light Filtering	100% Polyester	✓	No	
	Champagne	C	Light Filtering	100% Polyester	✓	✓	
	Silver Mine	C	Light Filtering	100% Polyester	✓	No	
Marisco 2" (5.1 cm) Marisco 2¾" (7.0 cm)	Bechamel	A	Light Filtering	100% Polyester	✓	✓	Neutral to the street
	Stationery	A	Light Filtering	100% Polyester	✓	✓	Neutral to the street
San Simeon 3" (7.7 cm)	Adirondack	C	Room Darkening	100% Polyester	✓	✓	Neutral to the street
	Everglades	C	Room Darkening	100% Polyester	✓	✓	Neutral to the street
	Sandstone	C	Room Darkening	100% Polyester	✓	✓	Neutral to the street
	Silver Mine	C	Room Darkening	100% Polyester	✓	✓	Neutral to the street
	Stationery	C	Room Darkening	100% Polyester	✓	✓	Neutral to the street
	Vellum	C	Room Darkening	100% Polyester	✓	✓	Neutral to the street
Roslin*	Bechamel	B	Light Filtering	100% Polyester	✓	✓	Neutral to the street
	Sandstone	B	Light Filtering	100% Polyester	✓	✓	Neutral to the street
	Stationery	B	Light Filtering	100% Polyester	✓	✓	Neutral to the street
Winchester*	Bechamel	B	Light Filtering	100% Polyester	✓	✓	
	Rodeo Drive	B	Light Filtering	100% Polyester	✓	✓	
	Stationery	B	Light Filtering	100% Polyester	✓	✓	
Winchester Sheen*	Limousine	D	Light Filtering	100% Polyester	✓	No	
	Soiree	D	Light Filtering	100% Polyester	✓	No	
	Sunset Strip	D	Light Filtering	100% Polyester	✓	No	
Winchester Woven*	Champagne	C	Light Filtering	100% Polyester	✓	✓	
	Everglades	C	Light Filtering	100% Polyester	✓	✓	
	Silver Mine	C	Light Filtering	100% Polyester	✓	✓	

*Styles have a 2" (5.1 cm) vane size with a unique design, limiting the view to the outside.

Features

Light Control and Privacy

Light Filtering*: Allows light to gently filter through and provides privacy. Images and shapes may be seen through these shades, but details are not visible. Deep fabric colors provide moderate light control, while light colors provide lower light control. **Privacy Level:** Moderate

Room Darkening*: Allows some light to filter into the room and provides privacy. Objects in a lit room seen through these shades appear as vague shapes. Deep fabric colors darken a room; light colors filter and diffuse bright sunlight. **Privacy Level:** Complete

Light Gaps: For optimal light, outside mount is recommended, or you may add a secondary soft window treatment (drapery or curtain) to hide the light gap on an inside mount.

Privacy Level: Moderate

*These fabrics are translucent and their colors may be influenced by changing light conditions. Colors may appear to vary depending upon the time of day and type of lighting, as well as whether the shade is partially or fully open.

Fabric Recommendations

Order all shades for the same room at the same time to ensure color consistency and to minimize dye lot variation. For side-by-side sheer shades, request vane alignment. Vanes can be aligned to within ¼" (0.7 cm).

NOTE: Shades must be ordered at the same time with the same fabric style and height.

Light Gap

The fabric width is narrower than the Finished Shade Width of the tube and its components. See chart below for light gap.

Control Type	Control End		Idle End	
	Inside Mount inches (cm)	Outside Mount inches (cm)	Inside Mount inches (cm)	Outside Mount inches (cm)
Continuous-Loop Lift	1 1/16 (2.7)	1 (2.6)	1 1/16 (1.8)	5/8 (1.6)
Motorized Lift	1 (2.6)	1 5/16 (2.4)	1 1/16 (1.8)	5/8 (1.6)

Fabric Disclaimers

Due to the nature of the weaving process, some imperfections in the weave are normal. Fabric appearance can vary based on changing light conditions in the room.

Cleaning and Care Information

Regular light dusting with a feather duster, vacuum with low suction, or a hairdryer on a cool temperature.

Fabric Certifications

Oeko-Tex® Standard 100 certifies that our fabrics are free of PVC, halogen, lead, formaldehyde, allergenic dyes, pesticides, phenols, heavy metals and meet all VOC content limits.

oeko-tex.com

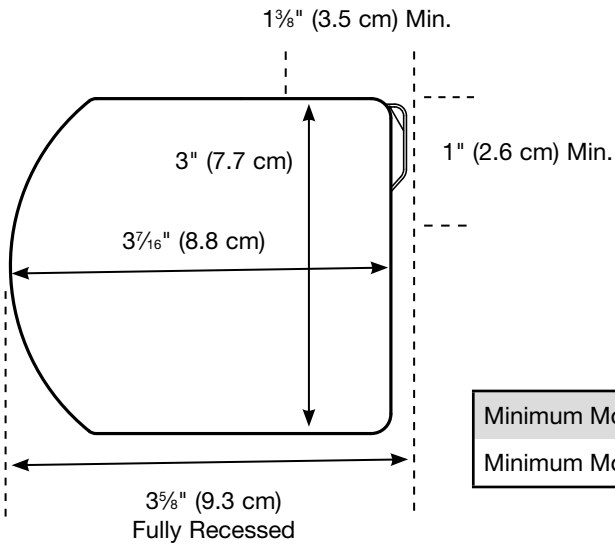
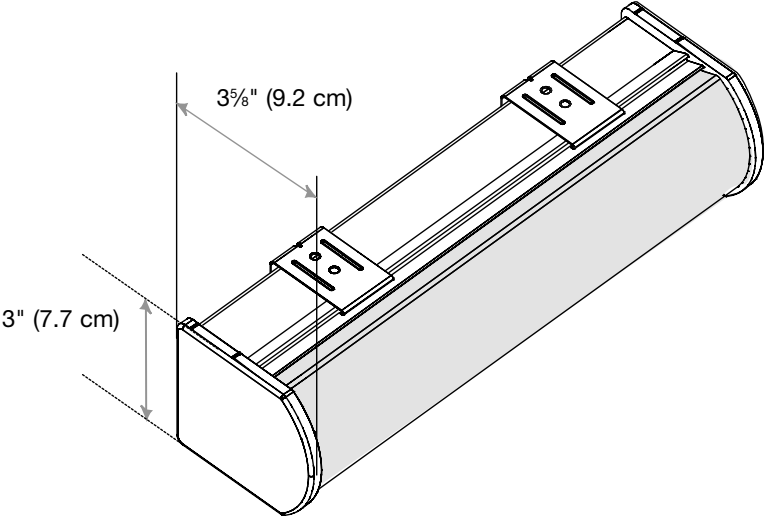
Oeko-Tex is a registered trademark of the Oeko-Tex Association.



Size Considerations

Continuous-Loop Lift and Motorized Lift Mounting Depth Illustrations

The following diagram illustrates the mounting depth requirements for shades mounted inside window casements.



Minimum Mounting Depth	1 3/8" (3.5 cm)
Minimum Mounting Depth, Flush Mount	3 5/8" (9.3 cm)

Fabric-Wrapped Cassette

Size Considerations

Continuous-Loop Lift and Motorized Lift

Style Name	Color Name	Maximum Width* inches (cm)	Maximum Height* inches (cm)
Glessner 2" (5.1 cm)	Apple Blossom	96 (243.9)	105 (266.7)
	Bechamel		
	Cavalry		
	Downtown		
	Glacial		
	Lemongrass		
	Limestone		
	Macchiato		
	Merlot		
	Portico		
	Rodeo Drive		
	Sable		
	Sandstone		
	Stationery		
	Vellum		
Glessner Sheen 2" (5.1 cm)	Bubbly	98 (249)	110 (279.4)
Glessner Woven 2" (5.1 cm)	Limousine	96 (243.9)	110 (279.4)
	Soiree		
Glessner 3" (7.7 cm)	Bamboo	96 (243.9)	105 (266.7)
	Champagne		
	Silver Mine		
	Apple Blossom		
	Bechamel		
	Cavalry		
	Downtown		
	Glacial		
	Lemongrass		
	Limestone		
	Macchiato		
	Merlot		
	Portico		
	Rodeo Drive		
	Sable		
Sandstone			
Stationery			
Vellum			

Style Name	Color Name	Maximum Width* inches (cm)	Maximum Height* inches (cm)
Glessner Sheen 3" (7.7 cm)	Bubbly	98 (249)	110 (279.4)
	Limousine		
	Soiree		
Glessner Woven 3" (7.7 cm)	Bamboo	96 (243.9)	110 (279.4)
	Champagne		
Marisco 2" (5.1 cm)	Silver Mine	94 (238.8)	99 (251.5)
	Bechamel		
Marisco 2¾" (7.0 cm)	Stationery	94 (238.8)	98 (249)
	Bechamel		
San Simeon 3" (7.7 cm)	Stationery	96 (243.9)	65 (165.1)
	Adirondack		
	Everglades		
	Sandstone		
	Silver Mine		
Roslin	Stationery	94 (238.8)	75 (190.5)
	Vellum		
	Bechamel		
Winchester	Sandstone	97 (246.4)	87 (221)
	Stationery		
Winchester Sheen	Rodeo Drive	102 (259.1)	69 (175.3)
	Stationery		
Winchester Woven	Limousine	97 (246.4)	87 (221)
	Soiree		
	Sunset Strip		
	Champagne		
	Everglades		
	Silver Mine		

Minimum width: Continuous-loop lift 12" (30.5 cm)

Motorized lift 16" (40.7 cm)

Minimum length: 12" (30.5 cm) all control types

*If the height is shorter than the maximum, a slightly larger width may be available to order. Max width is 102" (259.1 cm).

Options

Shade Options: For Surcharges and Pricing Refer to Pricing Section

Below is a list of options for Sheer Shades. All options are available in all styles and colors. See detailed descriptions on the following pages.

Control Type Options

- Continuous-Loop Lift
- Motorized Lift (See Motorization Product Information Guide)

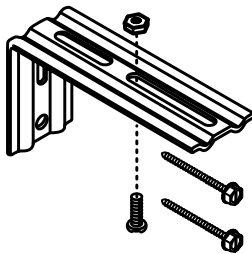
Shade Options – Surcharge

- Motorization (See Motorization Product Information Guide)
- Palladian Window Shelf (See Cornice, Valance and Palladian Window Shelf Product Information Guide)

Shade Options – No Charge

- Bottomrail and End Cap Colors
- Bay and Corner Windows
- Cord Length (must specify different length)
- Cord Location
- Projection Brackets 3¼" (8.3 cm) and 4" (10.2 cm)
 - 3¼" (8.3 cm) projection brackets add up to 2⅛" (5.4 cm) extension from wall
 - 4" (10.2 cm) projection brackets add up to 2⅞" (7.4 cm) extension from wall

Projection Brackets



- **No charge**
- Available with Continuous-loop Lift and Motorized Lift
- Two sizes: 3¼" (8.3 cm) and 4" (10.2 cm)
- 3¼" (8.3 cm) projection brackets add up to 2⅛" (5.4 cm) extension from wall
- 4" (10.2 cm) projection brackets add up to 2⅞" (7.4 cm) extension from wall

Options

Continuous-Loop Lift Control



- **Standard**
- Cord loop and clutch system makes raising and lowering shade easy
- Special cord loop length must be requested at time of order
- Cord remains at same length regardless of shade position
- Color-coordinated cord loop and cord guide
- Safety cord guide keeps the cord out of the reach of children and pets to enhance safety
- Choose left or right cord location
- Outside mount is recommended for maximum light control

NOTE: Cord guide must be installed to operate shade



Inside mount light gap
Refer to Light Gap Chart

Motorized Lift



- **See Motorization Product Information Guide for additional options and pricing**
- Down position will have vanes open
- Allows for easy operation of hard-to-reach or large window coverings
- Efficiently manages energy (heat gain and loss)
- Motorized lift shades are cordless and are a safer choice for homes with children or pets
- Low-voltage motorization requires no costly electrical hardwiring
- Powered with battery, solar power kits, plug-in transformer, multi-motor power supply
- Motor located on the left or right side, standard on the right

NOTE: Motorization components and accessories have a five-year limited warranty, excluding batteries.

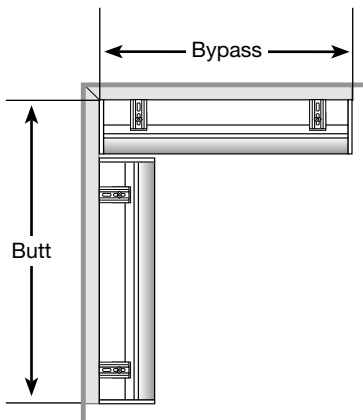
Options

Corner Windows



Shades on Corner Windows

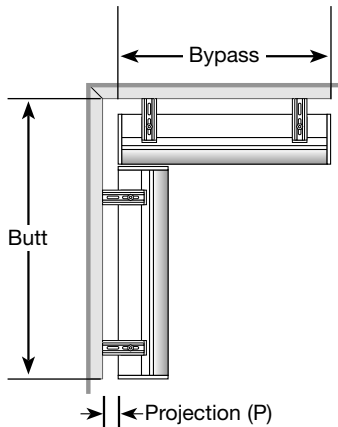
- **No charge**
- Made as individual shades
- Each shade will have its own control; we recommend opposite corners
- Indicate for each shade whether butt or bypass
- Bypass shade is mounted into the corner; butt shade is butted to the other shade
- Manufacturer will take appropriate deductions for proper fit; **DO NOT** order as a Corner shade if you do not want manufacturer to take deductions



Measuring Information

Mounting on a Wall or Molding:

Measure the width of each window from the corner on the mounting surface (molding or wall) to the point you would like to cover.



Mounting Above the Molding:

Measure the width of each window from the corner on the mounting surface to the point you would like to cover.

Projection measurement is the distance needed to clear any molding or obstructions that the shade will be mounted above.

NOTE: The Projection (P) distance is needed to correctly calculate deductions for installations where the shades will use shims or projection brackets to clear molding. All projection distances must match for correct deductions to be calculated.

Adjacent Shadings

To cover wide window openings, window shadings may be installed end to end so that the cassette headrails touch. The gap between the fabric panels of the adjacent shading varies by the control placement as shown in the chart.

Control Placement for Adjacent Shades			
Control Placement		Gap	
Left Shade Control	Right Shade Control	Continuous-Loop Lift inches (cm)	Motorized Lift inches (cm)
Right	Right	1 $\frac{3}{4}$ (4.5)	1 $\frac{11}{16}$ (4.3)
Left	Left	1 $\frac{3}{4}$ (4.5)	1 $\frac{11}{16}$ (4.3)
Right	Left	2 $\frac{1}{8}$ (5.4)	2 (5.1)
Left	Right	1 $\frac{3}{8}$ (3.5)	1 $\frac{3}{8}$ (3.5)

Side-by-Side Alignment

Vane alignment to within $\frac{1}{4}$ " (.7 cm) is available upon request only for shades ordered at the same time with the same fabric style and height. Add note in Special Instructions.

Options

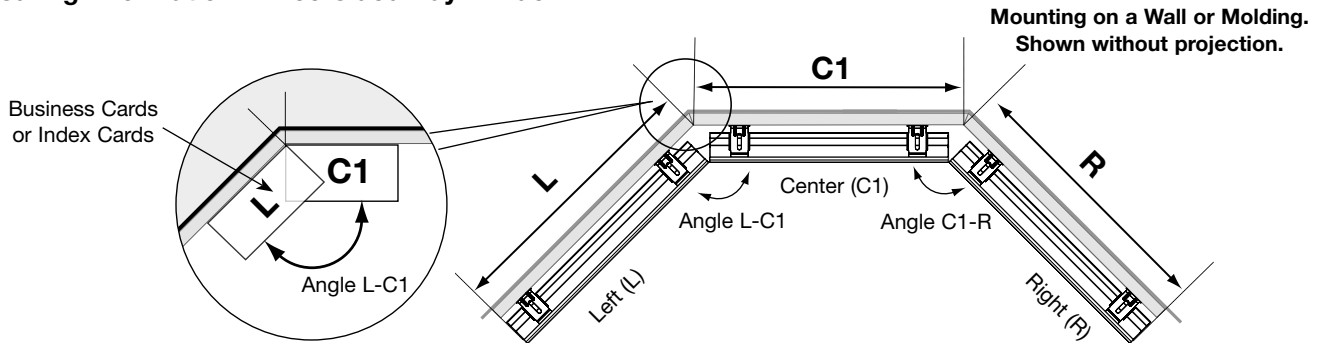
Bay Windows



Shades on Bay Windows

- No charge
- Made as individual shades
- Each section will have its own control
- Manufacturer will take appropriate deductions for proper fit; DO NOT order as a bay window shade if you do not want manufacturer to take deductions

Measuring Information: Three-sided Bay Window



Measure:

L and R: Width of each side window from the corners on the mounting surface to the point you would like to cover.

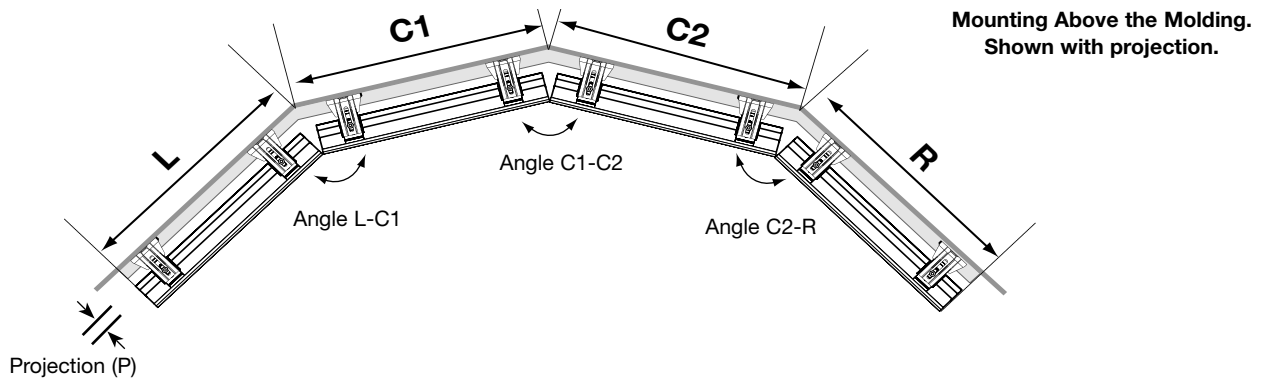
C1: Width of the center window on the mounting surface from corner to corner.

Angle L-C1: Angle between the (L) and (C1) windows.

Angle C1-R: Angle between the (C1) and (R) windows.

Projection: If needed: The depth of the trim or molding the shade will be mounted above.

Measuring Information: Four-sided Bay Window



L and R: Width of each side window from the corners on the mounting surface to the point you would like to cover.

C1, C2: Width of each center window on the mounting surface from corner to corner.

Angle L-C1: Angle between the (L) and (C1) windows.

Angle C1-C2: Angle between the (C1) and (C2) windows.

Angle C2-R: Angle between the (C2) and (R) windows.

Projection: If needed: The depth of the trim or molding the shade will be mounted above.

NOTE: The Projection (P) distance is needed to correctly calculate deductions for installations where the shades will use shims or projection brackets to clear trim or molding. All projection distances must match for correct deductions to be calculated.

For additional windows on bays with up to five sides, continue with number progression for center shade sizes (C1, C2, C3, ...) and angles (Angle C1-C2, Angle C2-C3, ...) as needed.

Measure each bay angle using a protractor or angle finder or use two business cards in each bay corner as illustrated above and fax to customer service.

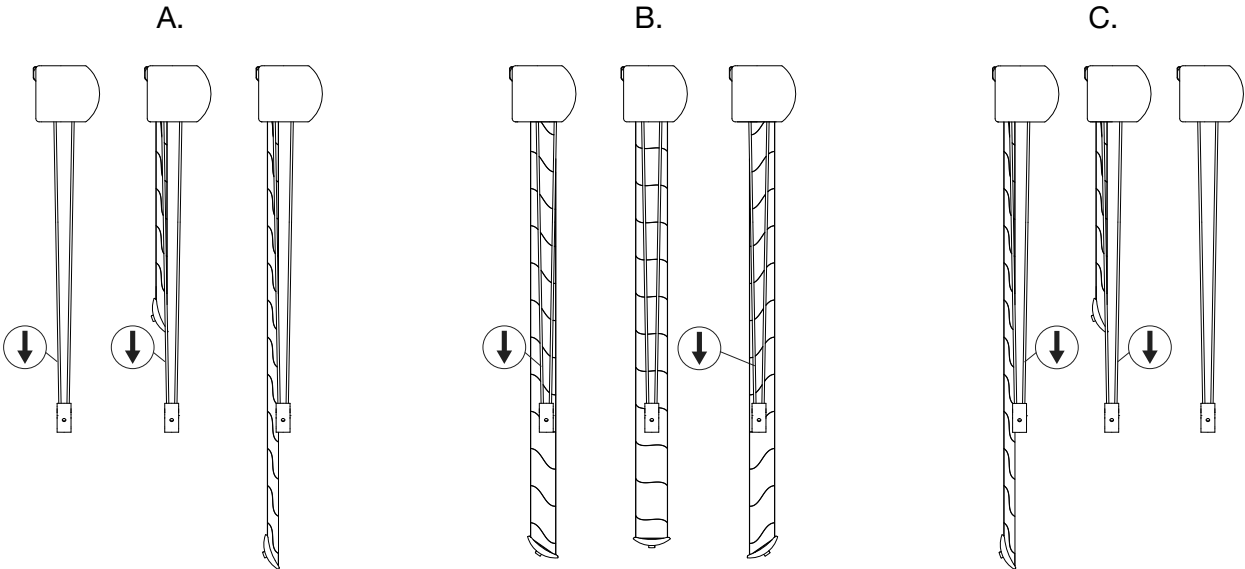
The angle to use between adjacent center bay windows along a straight section of wall is 180 degrees.

General Information

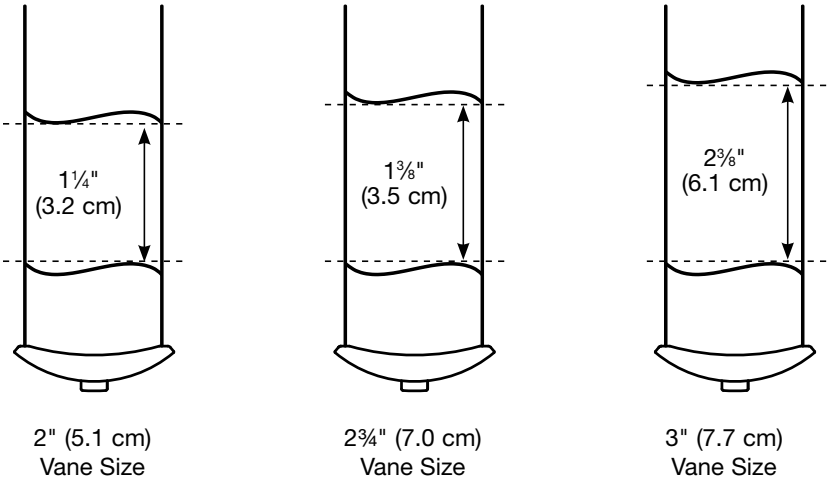
Continuous-Loop Lift

Shade Operation

- A. To lower, pull down on the back cord.
- B. Continue to pull on the back cord when fully lowered to open the vanes. Over rotation will occur if you continue to pull when the vanes are fully opened. The bottomrail will face into the room if over-rotated.
- C. To close, pull the front cord. Continue to pull on the front cord to raise the shade.



Open Vanes



General Information

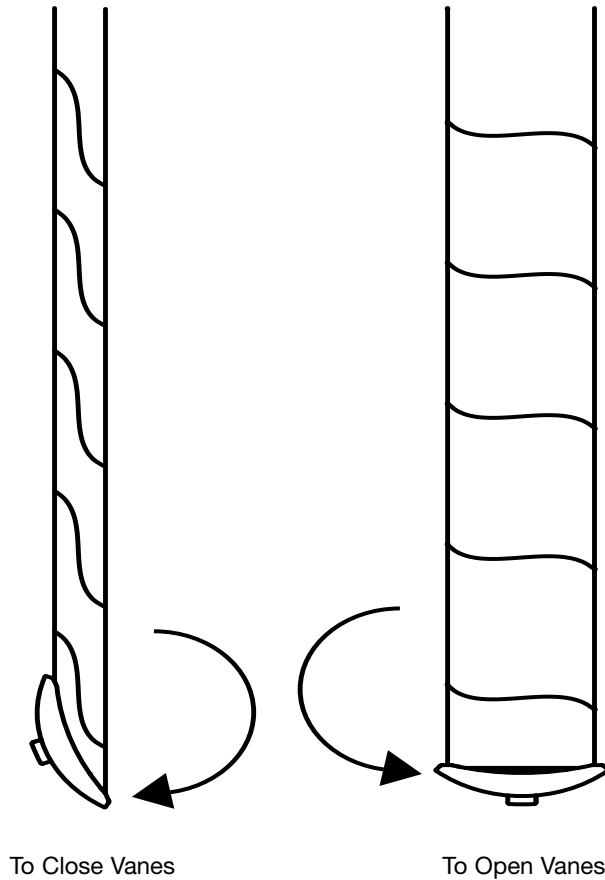
Continuous-Loop Lift and Mortorized Lift

Closed Vanes

When closed, the vanes of sheer shades overlap providing privacy. Sheer shades may have light gaps towards the bottom of the shade.

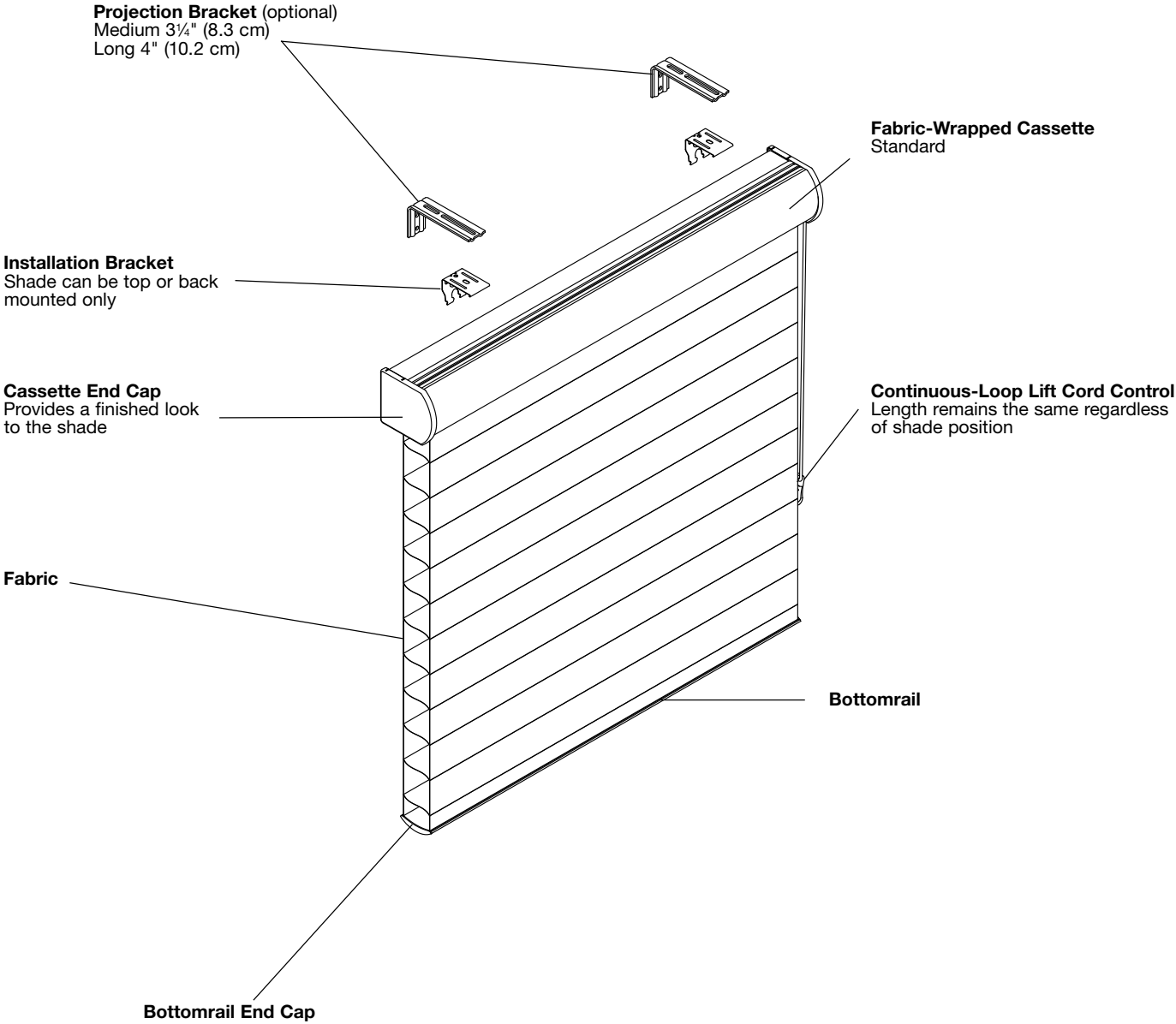
Importance of Correct Shade Height

The bottomrail pivots when the vanes are opened and closed as shown below. The proper height measurement is critical in applications where the window shading closes just above a window sill or floor. If the window shading is too long and the bottomrail rests on the sill or floor when it is fully lowered, the rail cannot pivot freely and the vanes cannot be opened properly.



General Information

Continuous-Loop Lift Product Detail



General Information

Color Coordination Charts

Color coordination is shown for informational purposes only.

Style	Color Name	Fabric Insert Color	Bottomrail Color	Continuous-Loop Lift
Glessner 2" (5.1 cm)	Apple Blossom	Sheer Fabric-wrap Apple Blossom	White Satin	Bamboo
	Bechamel	Sheer Fabric-wrap Bechamel	Cream	Bamboo
	Cavalry	Sheer Fabric-wrap Cavalry	Classic Gray	Smokey Gray
	Downtown	Sheer Fabric-wrap Downtown	Classic Gray	Smokey Gray
	Glacial	Sheer Fabric-wrap Glacial	White Satin	Bamboo
	Lemongrass	Sheer Fabric-wrap Lemongrass	Cream	Bamboo
	Limestone	Sheer Fabric-wrap Limestone	Cream	Tuscany
	Macchiato	Sheer Fabric-wrap Macchiato	Sand	Tuscany
	Merlot	Sheer Fabric-wrap Merlot	Clover	Redwood
	Portico	Sheer Fabric-wrap Portico	White Satin	Bamboo
	Rodeo Drive	Sheer Fabric-wrap Rodeo Drive	White Satin	Bamboo
	Sable	Sheer Fabric-wrap Sable	Coffee	Cocoa
	Sandstone	Sheer Fabric-wrap Sandstone	Cream	Tuscany
	Stationery	Sheer Fabric-wrap Stationery	White Satin	Bamboo
Vellum	Sheer Fabric-wrap Vellum	Cream	Bamboo	
Glessner Sheen 2" (5.1 cm)	Bubbly	Sheer Fabric-wrap Sheen Bubbly	Cream	Bamboo
	Limousine	Sheer Fabric-wrap Sheen Limousine	Classic Gray	Smokey Gray
	Soiree	Sheer Fabric-wrap Sheen Soiree	White Satin	Bamboo
Glessner Woven 2" (5.1 cm)	Bamboo	Sheer Fabric-wrap Woven Bamboo	Cream	Tuscany
	Champagne	Sheer Fabric-wrap Woven Champagne	Cream	Tuscany
	Silver Mine	Sheer Fabric-wrap Woven Silver Mine	Classic Gray	Smokey Gray
Glessner 3" (7.7 cm)	Apple Blossom	Sheer Fabric-wrap Apple Blossom	White Satin	Bamboo
	Bechamel	Sheer Fabric-wrap Bechamel	Cream	Bamboo
	Cavalry	Sheer Fabric-wrap Cavalry	Classic Gray	Smokey Gray
	Downtown	Sheer Fabric-wrap Downtown	Classic Gray	Smokey Gray
	Lemongrass	Sheer Fabric-wrap Lemongrass	Cream	Bamboo
	Limestone	Sheer Fabric-wrap Limestone	Cream	Tuscany
	Macchiato	Sheer Fabric-wrap Macchiato	Sand	Tuscany
	Merlot	Sheer Fabric-wrap Merlot	Clover	Redwood
	Portico	Sheer Fabric-wrap Portico	White Satin	Bamboo
	Rodeo Drive	Sheer Fabric-wrap Rodeo Drive	White Satin	Bamboo
	Sable	Sheer Fabric-wrap Sable	Coffee	Cocoa
	Sandstone	Sheer Fabric-wrap Sandstone	Cream	Tuscany
	Stationery	Sheer Fabric-wrap Stationery	White Satin	Bamboo
	Vellum	Sheer Fabric-wrap Vellum	Cream	Bamboo
Glessner Sheen 3" (7.7 cm)	Bubbly	Sheer Fabric-wrap Sheen Bubbly	Cream	Bamboo
	Limousine	Sheer Fabric-wrap Sheen Limousine	Classic Gray	Smokey Gray
	Soiree	Sheer Fabric-wrap Sheen Soiree	White Satin	Bamboo
Glessner Woven 3" (7.7 cm)	Bamboo	Sheer Fabric-wrap Woven Bamboo	Cream	Tuscany
	Champagne	Sheer Fabric-wrap Woven Champagne	Cream	Tuscany
	Silver Mine	Sheer Fabric-wrap Woven Silver Mine	Classic Gray	Smokey Gray
Marisco 2" (5.1 cm)	Bechamel	Sheer Fabric-wrap Bechamel	Cream	Bamboo
	Stationery	Sheer Fabric-wrap Stationery	White Satin	Bamboo
Marisco 2¾" (7.0 cm)	Bechamel	Sheer Fabric-wrap Bechamel	Cream	Bamboo
	Stationery	Sheer Fabric-wrap Stationery	White Satin	Bamboo

NOTE: Certain components are only available in limited colors.

General Information

Color Coordination Charts (cont.)

Color coordination is shown for informational purposes only.

Style	Color Name	Fabric Insert Color	Bottomrail Color	Continuous-Loop Lift
San Simeon 3" (7.7 cm)	Adirondack	Sheer Fabric-wrap Woven Adirondack	Coffee	Cocoa
	Everglades	Sheer Fabric-wrap Woven Everglades	Coffee	Cocoa
	Sandstone	Sheer Fabric-wrap Sandstone	Cream	Tuscany
	Silver Mine	Sheer Fabric-wrap Woven Silver Mine	Classic Gray	Smokey Gray
	Stationery	Sheer Fabric-wrap Stationery	White Satin	Bamboo
	Vellum	Sheer Fabric-wrap Vellum	Cream	Bamboo
Roslin	Bechamel	Sheer Fabric-wrap Bechamel	Cream	Bamboo
	Sandstone	Sheer Fabric-wrap Sandstone	Cream	Tuscany
	Stationery	Sheer Fabric-wrap Stationery	White Satin	Bamboo
Winchester	Bechamel	Sheer Fabric-wrap Bechamel	Cream	Bamboo
	Rodeo Drive	Sheer Fabric-wrap Rodeo Drive	White Satin	Bamboo
	Stationery	Sheer Fabric-wrap Stationery	White Satin	Bamboo
Winchester Sheen	Limousine	Sheer Fabric-wrap Sheen Limousine	Classic Gray	Smokey Gray
	Soiree	Sheer Fabric-wrap Sheen Soiree	White Satin	Bamboo
	Sunset Strip	Sheer Fabric-wrap Sheen Sunset Strip	Classic Gray	Smokey Gray
Winchester Woven	Champagne	Sheer Fabric-wrap Woven Champagne	Cream	Tuscany
	Everglades	Sheer Fabric-wrap Woven Everglades	Coffee	Cocoa
	Silver Mine	Sheer Fabric-wrap Woven Silver Mine	Classic Gray	Smokey Gray

Bottomrail Colors
Classic Gray
Clover
Coffee
Cream
Sand
White Satin

Continuous-Loop Lift Cord Colors
Bamboo
Cocoa
Redwood
Smokey Gray
Tuscany

Continuous-Loop Lift Lengths inches (cm)
18 (45.8)
24 (61.0)
36 (91.5)
48 (122.0)
60 (152.4)
72 (182.9)
84 (213.4)

NOTE: Certain components are only available in limited colors.

Price Charts

Price Group A

Height up to inches (cm)	Width up to inches (cm) →												
	24 (61.0)	32 (81.3)	36 (91.5)	42 (106.7)	48 (122.0)	54 (137.2)	60 (152.4)	66 (167.7)	72 (182.9)	78 (198.2)	84 (213.4)	96 (243.9)	102 (259.1)
36 (91.5)	\$487	540	604	660	718	775	831	891	1011	1095	1127	1239	1315
42 (106.7)	508	577	635	701	761	828	891	953	1075	1165	1200	1325	1404
48 (122.0)	538	606	674	738	809	877	952	1020	1146	1242	1275	1412	1513
54 (137.2)	556	634	706	785	858	932	1009	1090	1213	1314	1353	1507	1618
60 (152.4)	579	668	744	824	900	983	1069	1152	1270	1376	1436	1603	1732
66 (167.7)	592	695	784	865	953	1041	1136	1224	1341	1453	1525	1704	1823
72 (182.9)	635	726	816	905	1002	1100	1200	1293	1432	1551	1605	1800	1894
78 (198.2)	650	751	847	942	1042	1146	1249	1356	1497	1622	1707	1911	2050
84 (213.4)	680	784	878	989	1096	1204	1320	1428	1573	1704	1799	2014	2156
96 (243.9)	728	843	955	1074	1200	1321	1445	1565	1723	1867	1943	2213	
110 (279.4)	798	966	1078	1197	1323	1444	1568	1688	1846	2000	2066	2336	

Size availability is based on Fabric. See minimum and maximum charts for specific sizes.

Colors

Marisco 2" (5.1 cm)

Bechamel 6200
Stationery 6201

Marisco 2 3/4" (7.0 cm)

Bechamel 7200
Stationery 7201

Price Group B

Height up to inches (cm)	Width up to inches (cm) →												
	24 (61.0)	32 (81.3)	36 (91.5)	42 (106.7)	48 (122.0)	54 (137.2)	60 (152.4)	66 (167.7)	72 (182.9)	78 (198.2)	84 (213.4)	96 (243.9)	102 (259.1)
36 (91.5)	\$539	599	670	733	797	862	922	990	1124	1218	1252	1377	1460
42 (106.7)	565	641	705	778	844	919	990	1058	1194	1294	1333	1471	1559
48 (122.0)	597	673	749	821	899	974	1057	1133	1273	1379	1416	1568	1681
54 (137.2)	616	703	785	870	953	1034	1121	1211	1347	1459	1502	1674	1798
60 (152.4)	643	741	827	914	998	1092	1187	1280	1411	1529	1596	1780	1924
66 (167.7)	657	772	869	960	1058	1157	1262	1359	1489	1613	1693	1893	2025
72 (182.9)	705	806	907	1005	1112	1222	1332	1436	1590	1723	1782	2000	2104
78 (198.2)	722	834	941	1046	1158	1274	1387	1506	1662	1801	1896	2123	2276
84 (213.4)	754	869	976	1098	1217	1336	1467	1585	1746	1892	1998	2237	2396
96 (243.9)	809	937	1061	1193	1332	1468	1605	1738	1914	2074	2159	2459	2634
110 (279.4)	932	1073	1214	1367	1503	1641	1825	2002	2136	2314	2423	2702	2872

Size availability is based on Fabric. See minimum and maximum charts for specific sizes.

Colors

Glessner 2" (5.1 cm)

Apple Blossom 5108
Bechamel 5123
Cavalry 5117
Downtown 5124
Glacial 5100
Lemongrass 5116
Limestone 5111
Macchiato 5112
Merlot 5102
Portico 5101
Rodeo Drive 5118
Sable 5103
Sandstone 5121
Stationery 5125
Vellum 5122

Glessner 3" (7.7 cm)

Apple Blossom 6108
Bechamel 6123
Cavalry 6117
Downtown 6124
Glacial 6100
Lemongrass 6116
Limestone 6111
Macchiato 6112
Merlot 6102
Portico 6101
Rodeo Drive 6118
Sable 6103
Sandstone 6121
Stationery 6125
Vellum 6122

Roslin

Bechamel 7246
Sandstone 7245
Stationery 7247

Winchester

Bechamel 7261
Rodeo Drive 7262
Stationery 7260

Price Charts

Price Group C

Height up to inches (cm)	Width up to inches (cm)												
	24 (61.0)	32 (81.3)	36 (91.5)	42 (106.7)	48 (122.0)	54 (137.2)	60 (152.4)	66 (167.7)	72 (182.9)	78 (198.2)	84 (213.4)	96 (243.9)	102 (259.1)
36 (91.5)	\$589	657	734	802	871	945	1010	1083	1230	1333	1376	1512	1600
42 (106.7)	616	701	772	847	925	1005	1083	1157	1317	1427	1465	1617	1710
48 (122.0)	647	734	817	899	985	1068	1155	1239	1392	1508	1555	1717	1846
54 (137.2)	674	770	862	954	1037	1133	1223	1323	1472	1595	1649	1838	1972
60 (152.4)	706	806	906	1002	1092	1198	1305	1409	1551	1680	1748	1958	2112
66 (167.7)	722	841	953	1057	1157	1269	1384	1497	1631	1767	1856	2080	2220
72 (182.9)	772	882	996	1100	1218	1346	1462	1579	1741	1886	1962	2191	2310
78 (198.2)	797	911	1030	1147	1269	1403	1528	1655	1826	1978	2088	2334	2500
84 (213.4)	827	953	1069	1201	1334	1470	1609	1738	1919	2079	2190	2458	2633
96 (243.9)	889	1023	1158	1307	1462	1610	1756	1909	2096	2271	2375	2701	2892
110 (279.4)	1022	1173	1332	1499	1654	1806	2002	2199	2350	2546	2663	2970	3153

Size availability is based on Fabric. See minimum and maximum charts for specific sizes.

Colors

Glessner Woven 2" (5.1 cm)	Glessner Woven 3" (7.7 cm)	San Simeon 3" (7.7 cm)	Winchester Woven
Bamboo 5181	Bamboo 6181	Adirondack 7224	Champagne 7264
Champagne 5183	Champagne 6183	Everglades 7220	Everglades 7266
Silver Mine 5182	Silver Mine 6182	Sandstone 7221	Silver Mine 7265
		Silver Mine 7223	
		Stationery 7225	
		Vellum 7222	

Price Group D

Height up to inches (cm)	Width up to inches (cm)												
	24 (61.0)	32 (81.3)	36 (91.5)	42 (106.7)	48 (122.0)	54 (137.2)	60 (152.4)	66 (167.7)	72 (182.9)	78 (198.2)	84 (213.4)	96 (243.9)	102 (259.1)
36 (91.5)	\$643	716	802	878	954	1034	1105	1187	1350	1463	1510	1657	1754
42 (106.7)	675	766	844	934	1016	1100	1187	1268	1441	1561	1609	1772	1878
48 (122.0)	707	803	896	985	1079	1168	1265	1357	1527	1654	1707	1888	2027
54 (137.2)	736	842	945	1044	1137	1239	1345	1449	1618	1753	1811	2020	2166
60 (152.4)	772	884	991	1097	1198	1313	1431	1547	1701	1843	1916	2148	2317
66 (167.7)	786	924	1041	1155	1268	1391	1519	1640	1793	1942	2038	2281	2440
72 (182.9)	844	965	1090	1210	1335	1473	1605	1732	1914	2074	2153	2406	2534
78 (198.2)	873	996	1129	1258	1392	1538	1671	1813	2003	2170	2291	2564	2746
84 (213.4)	997	1137	1275	1429	1568	1702	1864	2027	2263	2452	2541	2811	3004
96 (243.9)	1068	1218	1376	1539	1692	1843	2019	2197	2443	2647	2710	3048	3271
110 (279.4)	1224	1399	1589	1772	1923	2077	2306	2507	2736	2964	3042	3357	3567

Size availability is based on Fabric. See minimum and maximum charts for specific sizes.

Colors

Glessner Sheen 2" (5.1 cm)	Glessner Sheen 3" (7.7 cm)	Winchester Sheen
Bubbly 5161	Bubbly 6161	Limousine 7301
Limousine 5162	Limousine 6162	Soiree 7302
Soiree 5163	Soiree 6163	Sunset Strip 7300

Options Pricing

Options Pricing

Option	Surcharge
Bay and Corner Window Shades	No Charge
Bottomrail Color	No Charge
Continuous-Loop Lift	No Charge
Fabric-Wrapped Cassette	Standard – No Charge
Motorized Lift	See Motorization Product Information Guide for information
Projection Brackets	No Charge
Wood Cornice and Valance	See Cornice and Valance Product Information Guide for information



Graber is a brand of Springs Window Fashions, the Best Experience Company 

Graber and the Graber logo are registered trademarks of Springs Window Fashions, LLC.

19-0691-00 (05/16) 16-2464|S15-1438