

VERTICAL BLINDS

Table of Contents

Blind Features and Size Considerations

Summary	2
Vane Styles and Information: Fabric Vertical Blinds	2
Vane Styles and Information: Vinyl Vertical Blinds	2
Blind Features and Information: Sheer Verticals	3
Light Control Levels: Definitions	3
Oeko-Tex Standard and NFPA 701	3
Vane Features	4
Size Considerations	5

Blind Options

Blind Options: Summary	6
Verticals and Sheer Verticals: Control Options	7
Vertical Blinds: Headrail System Options	8
Verticals and Sheer Verticals: Stacking Options and Installation Types	9
Vertical Blinds: Cut-out Blinds, Bottom Chain	10
Vertical Blinds: Stay Clear™ Channel Panel for Fabric Vanes	11
Verticals and Sheer Verticals: Paired Blinds	11
Verticals and Sheer Verticals: Vane Replacement Ordering Information	11
Sheer Verticals: Hem Style and Cut Yardage	12
Verticals and Sheer Verticals: Valance Options	13
Verticals and Sheer Verticals: Bay and Corner Windows	14
Vertical Blinds: Specialty Shapes: Curved Headrail	15
Vertical Blinds: Specialty Shapes: Angled Window	16

General Information

Installation Hardware and Mounting Bracket Information	17
Verticals and Sheer Verticals: How to Measure for Clear Opening	18
Vane Stacking Chart: G-71 Super-Vue®	18
Vane Stacking Chart: G-98 Ultra-Vue™ and G-85 Dura-Vue®	19
Vane Stacking Chart: One Touch® Control for G-71 Super-Vue, G-98 Ultra-Vue and G-85 Dura-Vue	20
Sheer Vertical Stacking Charts	21
Sheer Verticals: Vane Color Coordination Chart	22
G-71 Super-Vue Product Detail	23
G-98 Ultra-Vue Product Detail	24
G-85 Dura-Vue Product Detail	25
Sheer Vertical: G-71 Product Detail	26

Pricing

Price Group A: Vinyl: Crown, Grotto	27
Price Group B: Vinyl: Cachet, Channel Panel, Fiber, Quantum, Stowe, Window Weaves	28
Price Group C: Fabric: Baskerville, Brighton, Harmony, Sheffield Vinyl: Homespun II, Lake Forest®, Rapture, Satin Stripe Vinyl S-Shaped: Linen S, Quantum S	29
Price Group D: Fabric: Devon, Grasses, Tahiti Weave, Thatch Vinyl: Chenille, Parallels, Safari Vinyl S-Shaped: Homespun II S	30
Price Group E: Fabric: Allure, Royale, Strings, Tulavu, Urban Loft Vinyl: Acropolis, Coronation, Kensington Vinyl S-Shaped: Georgetown S	31
Price Group F: Fabric: Compass, Crossweave, Network, Prescott	32
Price Group G: Sheer: Gossamer, Highlight	33
Price Group H: Sheer: Bengali, Cascade, Dijon	33
Options Pricing	34
Replacement Pricing: Headrail, Fabric and Valances	35



Blind Features: Vertical Blinds

- Choose from a variety of fabric, crown or S-Shaped vinyl vanes
- S-Shaped vanes feature a rolling drapery look
- Fabric vanes can be free hanging or inserted into channel panel for more light control and privacy
- Many vinyl styles coordinate with Graber® 2" (5.1 cm) Vinyl Horizontal Blinds
- Several fabric styles coordinate with Graber® FashionPleat®, EvenPleat®, or LightWeaves® Roller shades

Vane Styles and Information: Vertical Blinds

Collection Name	Price Chart	Material Content	Light Control	Vane Style	Streetside Appearance	Coordinates
Fabric						
Allure	E	Fabric	Light Filtering/ Room Darkening	FH or INS		LightWeaves Roller
Baskerville	C	Fabric	Light Filtering/Transparent	FH or INS		
Brighton ^{FR}	C	Fabric	Light Filtering	FH or INS		FashionPleat and EvenPleat
Compass ^o	F	Fabric	Room Darkening	FH or INS		
Crossweave ^o	F	Fabric	Light Filtering	FH or INS		LightWeaves Roller, FashionPleat, and EvenPleat
Devon	D	Fabric	Light Filtering	FH or INS		
Grasses	D	Fabric	Light Filtering	FH or INS		
Harmony ^o	C	Fabric	Light Filtering/Transparent	FH or INS		LightWeaves Roller
Network	F	Fabric	Light Filtering	FH or INS		
Prescott ^o	F	Fabric	Room Darkening	FH or INS		
Royale ^o	E	Fabric	Light Filtering/Transparent	FH or INS		LightWeaves Roller
Sheffield ^o	C	Fabric	Light Filtering/Transparent	FH or INS		LightWeaves Roller
Strings	E	Fabric	Transparent	FH		
Tahiti Weave	D	Fabric	Light Filtering	FH or INS		
Thatch	D	Fabric	Light Filtering	FH or INS		
Tuvalu ^o	E	Fabric	Light Filtering/Transparent	FH or INS		EvenPleat
Urban Loft ^o	E	Fabric	Light Filtering/Transparent	FH or INS		
S-Shaped Vinyl						
Georgetown S	E	100% Vinyl	Room Darkening	S-Shaped	Neutral	2" (5.1 cm) Horizontal Vinyl
Homespun II S	D	100% Vinyl	Room Darkening	S-Shaped	Neutral	
Linen S	C	100% Vinyl	Room Darkening	S-Shaped	Neutral	2" (5.1 cm) Horizontal Vinyl
Quantum S	C	100% Vinyl	Room Darkening	S-Shaped	Neutral	
Crown Vinyl						
Acropolis	E	100% Vinyl	Room Darkening	Crown	Neutral	
Cachet	B	100% Vinyl	Room Darkening	Crown	Neutral	2" (5.1 cm) Horizontal Vinyl
Channel Panel	B	100% Vinyl	Room Darkening	Crown	Same Front and Back	
Chenille	D	100% Vinyl	Room Darkening	Crown	Neutral	
Coronation	E	100% Vinyl	Room Darkening	Crown	Neutral	2" (5.1 cm) Horizontal Vinyl
Crown	A	100% Vinyl	Room Darkening	Crown	Neutral	2" (5.1 cm) Horizontal Vinyl
Fiber	B	100% Vinyl	Room Darkening	Crown	Same Front and Back	2" (5.1 cm) Horizontal Vinyl
Grotto	A	100% Vinyl	Room Darkening	Crown	Neutral	
Homespun II	C	100% Vinyl	Room Darkening	Crown	Neutral	2" (5.1 cm) Horizontal Vinyl
Kensington	E	100% Vinyl	Room Darkening	Crown	Neutral	2" (5.1 cm) Horizontal Vinyl
Lake Forest®	C	100% Vinyl	Room Darkening	Crown	Same Front and Back	Lake Forest Faux Wood Blinds
Parallels	D	100% Vinyl	Room Darkening	Crown	Neutral	
Quantum	B	100% Vinyl	Room Darkening	Crown	Neutral	2" (5.1 cm) Horizontal Vinyl
Rapture	C	100% Vinyl	Room Darkening	Crown	Neutral	2" (5.1 cm) Horizontal Vinyl
Safari	D	100% Vinyl	Room Darkening	Crown	Neutral	2" (5.1 cm) Horizontal Vinyl
Satin Stripe	C	100% Vinyl	Room Darkening	Crown	Neutral	
Stowe	B	100% Vinyl	Room Darkening	Crown	Neutral	
Window Weaves	B	100% Vinyl	Room Darkening	Crown	Neutral	

^o Oeko-Tex fabric (see page 3)

^{FR} Flame resistant NFPA 701 (see page 3)

FH Free hanging fabric

INS Fabric inserted into channel panel

Blind Features: Sheer Verticals

Sheer Vertical blinds combine the soft look of sheer fabric draperies and the light control benefits of vinyl vertical blinds. When the vanes are open, softly diffused light streams into the room through sheer fabric for minimal privacy and light control; when closed, light is blocked from entering the room to provide maximum privacy and light control. Not only for patio doors, Sheer Vertical also looks beautiful on wider or uniquely shaped windows. Plus, Sheer Vertical fabrics are easily removed and machine washable.

- Fabric easily installed and removed – no need to take down entire blind
- Easily replace original fabric with different style or color when décor changes
- Fabric is machine washable
- Color-coordinated thread for a finished appearance
- Heavy-duty aluminum headrail with steel pantograph system ensures smooth operation, and proportional spacing of vanes
- Available as both inside and outside mount
- Cord and chain control only
- Stems are removable for easy replacement in the home

Styles, Fabric Content and Light Control						
Collection Name	Price Chart	Material Content	Light Control	Vane Style	Streetside Appearance	Coordinates
Sheer						
Bengali	H	100% Polyester	Sheer/Room Darkening	FH	Neutral	Graber Artisan
Cascade	H	100% Polyester	Sheer/Room Darkening	FH	Neutral	Graber Artisan
Dijon	H	100% Polyester	Sheer/Room Darkening	FH	Neutral	
Gossamer	G	100% Polyester	Sheer/Room Darkening	FH	Neutral	Graber Artisan
Highlight	G	100% Polyester	Sheer/Room Darkening	FH	Neutral	Graber Artisan

Light Control Levels

Light Filtering: Light is filtered to varying degrees depending on fabric style and color; silhouettes of objects and people are visible through the blind.

Openness: The amount of UV ray blockage is the inverse of a fabric's openness factor (i.e., a fabric with 5% openness blocks 95% of UV rays).

Room Darkening: Light is substantially blocked; vague shadows of objects or people may be visible; maximum room darkening is achieved with darker colors.

Oeko-Tex Standard 100 Certified Fabrics

Oeko-Tex Standard 100 certifies that our fabrics are free of PVC, halogen, lead, formaldehyde, allergenic dyes, pesticides, phenols, heavy metals and meet all VOC content limits.

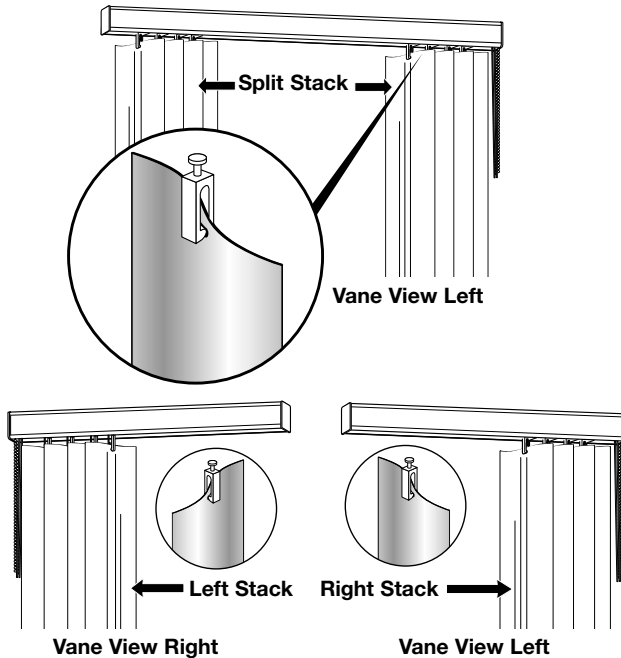
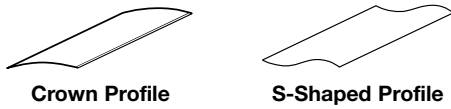


NFPA 701

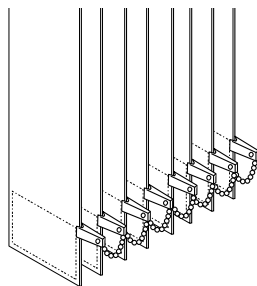
NFPA 701 Flame resistance test is the standard method of fire tests for flame propagation of textiles and films by the National Fire Protection Agency.

Blind Features: Vertical Blinds

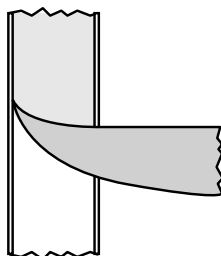
Vane Features



Vane view: Side the color or texture is facing when vanes are rotated open so you can see through the vanes to the street.



Free Hanging Fabric With Bottom Chain and Clips



Vane Material Inserted In Channel Panel

Vinyl Styles

- All vinyl vanes offer value, durability, easy cleaning and superior light control
- Choose from embossed crown, smooth crown or S-Shaped embossed vinyl vanes
- Embossed textures offered in solids or prints with the look of jacquard or linen fabrics, wood or stucco
- Coordinating 2" (5.1 cm) Horizontal Vinyl blinds available for many styles. For pricing on 2" (5.1 cm) Horizontal Vinyl, see the Graber® 2" (5.1 cm) Horizontal Vinyl Price List

Vinyl Crown Vanes

- Traditional curved vanes

Vinyl S-Shaped Vanes

- Provide a more drapery like look to your vertical blind
- Provide better closure for more light control and privacy
- Valances are made with Crown PVC of the same texture and color. Dye lot cannot be guaranteed
- S-Shaped vanes are NOT reversible; vane View shows which side the color/texture is facing when vanes are rotated open so you can see out the window
 - Right Stack and Split Stack – Left
 - Left Stack – Right
- You may choose a vane view other than the recommended if you are concerned about which side of the vane you will see when blinds are rotated open
- For Paired, Bay and Corner Blinds, the same Vane View is recommended for all blinds

NOTE: See illustrations on how S-Shaped vanes will hang.

Fabric Vanes

- Designer fabric vane styles range from sheer to room darkening in a variety of weaves and materials
- Free-hanging vanes come with sewn-in bottom weights and optional chain and clips
- For increased privacy and room darkening, fabric vanes can be inserted into Channel Panels; the clear edge channels hold fabric securely and will not yellow over time; the opaque vinyl vanes provide additional privacy and light control; see Price Chart G for replacement pricing
- Coordinating Graber Pleated, Roman, Solar and Roller shade fabric and Graber Sliding Panels are available for selected styles
- Available in 3½" (8.9 cm) fabric styles

Additional Information

1. Due to the nature of vane materials (both fabric and vinyl prints), colors may vary slightly from dye lot to dye lot. Exact matches cannot be guaranteed.
2. Due to the random design of some vane patterns, exact alignment of the pattern across the blind is not possible.

Size Considerations

Size Considerations: Vertical Blinds

	Width			Height	
	Min Single Stack	Min Split Stack	Max	Min	Max
G-71 Super-Vue®	9" (22.9 cm)	12" (30.5 cm)	191" (485.2 cm)	12" (30.5 cm)	192" (487.7 cm)
G-98 Ultra-Vue™	9" (22.9 cm)	17" (43.2 cm)	191" (485.2 cm)	12" (30.5 cm)	192" (487.7 cm)
G-85 Dura-Vue®	9" (22.9 cm)	12" (30.5 cm)	178¾" (454.1 cm)	12" (30.5 cm)	144" (365.8 cm)
One Touch®	9" (22.9 cm)	N/A	144" (365.8 cm)	12" (30.5 cm)	96" (243.9 cm)


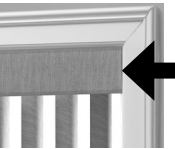
One Touch Control: 10,080 sq. in. maximum overall size. Minimum wand length is 33" (83.9 cm).

Factory Deductions

Mount	Mount Bracket Location	Valance	Height Deduction G-71	Height Deduction G-98	Height Deduction G-85
Outside	All types	Yes/No	0" (0 cm)	0" (0 cm)	0" (0 cm)
Inside	Ceiling or Top	No	⅝" (1.6 cm)	½" (1.3 cm)	½" (1.3 cm)
Inside	Ceiling or Top	Yes	¾" (2.0 cm)	⅝" (1.6 cm)	½" (1.3 cm)
Inside	Wall or Back	No	1 ⅙" (2.7 cm)	⅞" (2.3 cm)	⅞" (2.3 cm)
Inside	Wall or Back	Yes	1 ⅙" (2.9 cm)	1 ⅙" (2.9 cm)	1 ⅙" (2.9 cm)

Mount	Width Deductions
Outside	0"
Inside	¼" (0.7 cm)



Depth Requirements for Inside Mount

	Headrail Dimensions	 Partially recessed headrail in window casing/molding Minimum Depth Mount	Headrail Flush with Casing (Vanes and/or Valance not flush with casing)	Depth needed for Flush Mount Vane	 Fully recessed valance in window casing/molding Depth needed for Flush Mount Vane
G-71 Super-Vue	1⅜" (3.5 cm) x 1⅞" (5.0 cm)	2⅜" (6.1 cm)	3" (7.7 cm)	3¾" (9.6 cm)	4⅝" (11.8 cm)
G-98 Ultra-Vue	1⅞" (2.9 cm) x 1⅞" (3.5 cm)	2⅜" (6.1 cm)	2⅞" (6.9 cm)	3¾" (9.6 cm)	4⅝" (11.8 cm)
G-85 Dura-Vue	1⅞" (3.4 cm) x 1½" (3.9 cm)	2⅜" (6.1 cm)	2¾" (7.0 cm)	3¾" (9.6 cm)	4⅝" (11.8 cm)

Size Considerations: Sheer Verticals

	Width		Height	
	Min	Max	Min	Max
Sheer Verticals	17" (43.2 cm)	191" (485.2 cm)	19" (48.3 cm)	104" (264.2 cm)

Depth Requirements for Inside Mount

	 Minimum Depth Partially recessed Mount	Depth needed for Flush Mount Headrail	Depth needed for Flush Mount Vane	Depth needed for Flush Mount Valance	
	3⅞" (9.1 cm)	4⅞" (10.7 cm)	5⅞" (13.2 cm)	7" (17.8 cm)	

Partially Recessed: A partially recessed window treatment is where the depth of the window casing is less than the space necessary for a flush mount.

Flush Mount: If the window casing is deep enough to mount the entire blind inside of it, this is called a flush mount.

Blind Options

Blind Options: For Surcharges and Pricing Refer to Pricing Section

The following is a list of options for Vertical and Sheer Vertical Blinds. All options are available in all styles and colors. Limitations will be based on fabric width. See detailed descriptions on the following pages.

Vertical Blinds

Control Type Options – No Charge

- Standard Cord and Chain Controls
- One Touch® Control

Options – No Charge

- Bay and Corner Windows
- Paired Blinds
- Projection Bracket: 4 $\frac{3}{8}$ " (11.2 cm)
- Stay Clear™ Channel Panels

Options – Surcharge (see Price Charts for pricing and/or surcharges)

Bottom Chain & Clips (Fabric)

- Bottom Chain (Vinyl)
- Cut-outs
- Round-corner Valance
- Double Round-corner Valance
- Square-corner Valance
- Wood Cornices and Valances (see Cornices and Valance tab)

Specialty Options: (see Price Charts for pricing and/or surcharges)

- Angled Top
- Curved Headrail

Sheer Vertical Blinds

Control Type Options – No Charge

- Standard Cord and Chain Controls

Options – No Charge

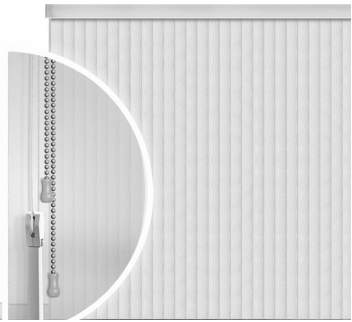
- Bay and Corner Windows
- Dauphine® Valance
- Paired Blinds

Options – Surcharge (see Price Charts for pricing and/or surcharges)

- Wood Cornices and Valances (see Cornices and Valance tab)
- Round-corner Valance
- Double Round-corner Valance

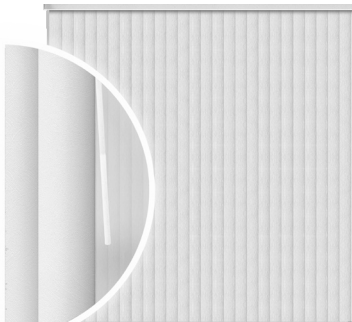
Blind Options

Vertical Blinds: Control Options



Cord and Chain – Standard

- No charge
- Cord controls vane traverse
- Chain controls vane rotation



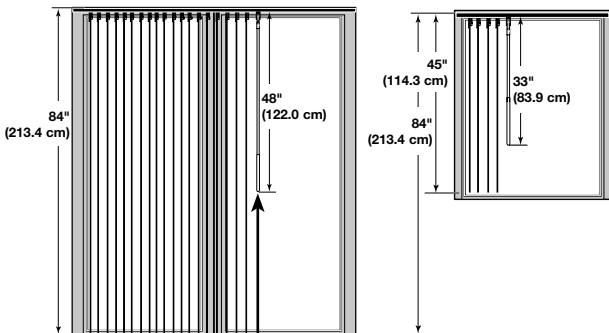
One Touch® Wand Control

- No charge
- A slender wand controls vane rotation and traversing
- Simple, convenient, safe (no cords and chains)
- Recommended for homes with children or pets
- Available with single stack only; no split stack or opposite stack
- Wand is always attached to leading vane

Width		Height	
Minimum	Maximum	Minimum	Maximum
9" (22.9 cm)	144" (365.8 cm)	12" (30.5 cm)*	96" (243.9 cm)
Maximum overall size: 10,080 sq. in. (65032.1 cm ²) (w x h)			

Wand Sizes

Keep in mind that the wand length is determined by the **finished blind height**. If the vertical blind covers a patio door or the bottom of the vertical blind reaches the floor, the following chart indicates wand length. If the headrail distance from the floor is greater than 77" (195.6 cm) or there is any furniture in front of the blind, specify a 48" (122.0 cm) or 60" (152.4 cm) wand for easy accessibility.

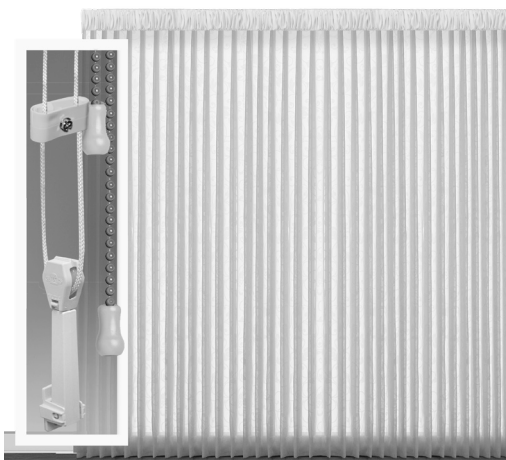


**Standard
48" Wand
(122.0 cm)**

Blind Height	Wand Height
77" (195.6 cm) or less*	33" (83.9 cm)
77½" (195.9 cm) a 92" (233.7 cm)	48" (122.0 cm)
92½" (234.0 cm) a 96" (243.9 cm)	60" (152.4 cm)

*If blind is less than 35" (88.9 cm), wand will be longer than vanes. The standard cord and chain control is recommended.

Sheer Vertical Blinds: Controls



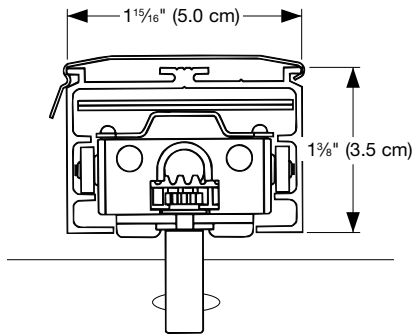
Cord and Chain – Standard

- No charge
- Cord controls vane traverse
- Chain controls vane rotation

Blind Options

Vertical Blinds: Headrail System Options

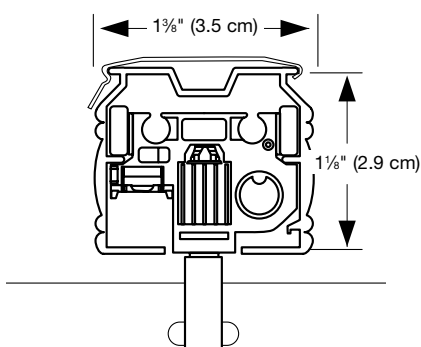
G-71 Super-Vue



G-71 Super-Vue®

The top-of-the-line G-71 Super-Vue features the patented pantograph traversing system to assure proportional spacing of vanes when closed. G-71 Super-Vue is available in a smooth, anodized aluminum channel. Ball bearing pulleys in the control mechanism and thermoplastic self-lubricating wheels on every carriage allow for smooth traversing vanes. Clear stems provide a sleek appearance with both fabrics and vinyl vanes. E-Z Open, available only on the G-71 headrail, automatically rotates the vanes when the cord is pulled to traverse the blind.

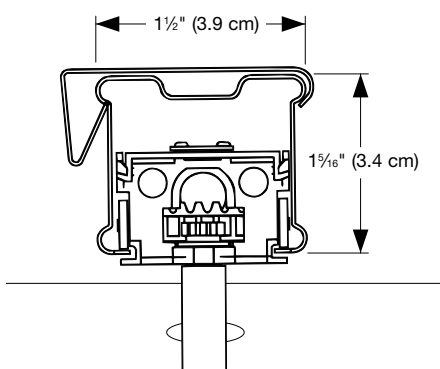
G-98 Ultra-Vue



G-98 Ultra-Vue™

The anodized aluminum Ultra-Vue headrail system traverses vanes smoothly through the consecutive action of stainless steel pick-up tails. Ultra-Vue carriers are wheeled for smooth traversing and are self-aligning.

G-85 Dura-Vue



G-85 Dura-Vue®

Dura-Vue headrails traverse vanes smoothly with a thermoplastic strap system. Dura-Vue steel headrail is offered in an ivory painted finish. Dura-Vue carriers are wheeled for smooth traversing.

The design of all Graber® headrails allows for reversible installation, providing versatile placement of controls on either the left or right.

Blind Options

Verticals and Sheer Vertical Blinds: Stacking Options



Split Stack
Left Controls
(Right controls available)

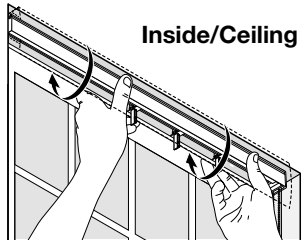
Left Stack
Same Side Stack and Controls

Right Stack
Same Side Stack and Controls

Opposite Stack
and Controls

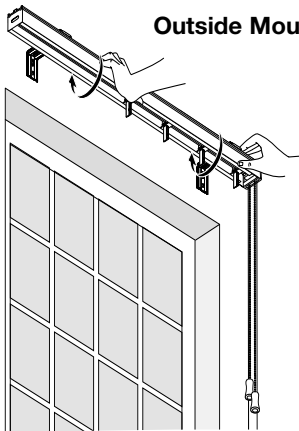
VERTICALS ONLY: There is a surcharge for Center/Uneven Stack and Opposite Stack.
Center/Uneven Stack available on G-71 Super-View® Headrails for blinds with vanes only.

Verticals and Sheer Vertical Blinds: Installation Types



Inside/Ceiling Mount

1. Inside Mount – Ceiling or Top of Window Frame (Standard)
Manufacturing height deduction is taken for blinds being installed as inside, ceiling mount with or without a valance.



Outside Mount

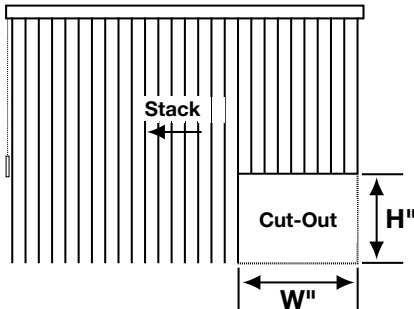
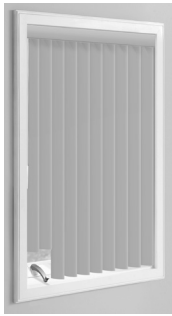
2. Inside Mount – Wall or Back of Window Frame
Manufacturing height deduction is taken for blinds being installed as inside mount using the L-bracket for a wall mount. An additional manufacturing height deduction is taken if a valance is included, to accommodate the height of the Dauphine Valance bracket.

3. Outside Mount – Wall or Back (Standard)
No manufacturing height deduction is taken.

4. Outside Mount – Ceiling or Top (Option)
No manufacturing height deduction taken.

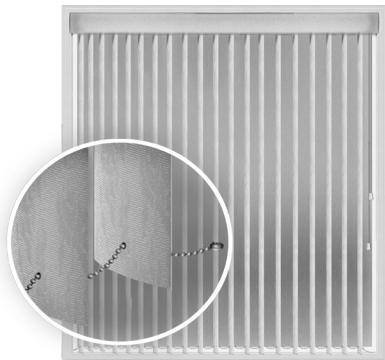
Blind Options

Vertical blinds: Cut-Out Blinds



- For surcharges, see Options Pricing
- Order when air conditioner, heating register or other object would interfere with vanes
- Blind must stack away from cut-out area
- Specify size and base price by maximum width and height of blind
- Submit drawing to identify size and location of cut-out (see example)
- Minimum cut-out width 3½" (8.9 cm)
- Cut-out must be a full vane width (3½" (8.9 cm)); therefore may be wider than ordered
- Not available with bottom chain

Vertical Blinds: Bottom Chain

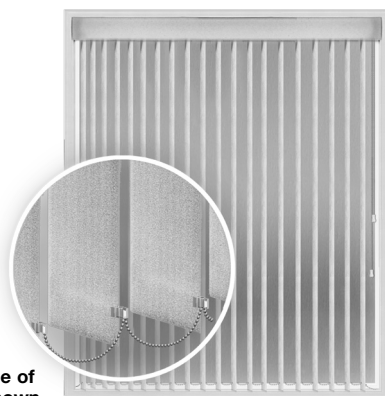


Bottom Chain Vinyl Vanes

Must be requested at time of order.

- For surcharges, see Options Pricing
- Optional, must be requested at time of order
- Not available with Channel Panel, S-Shaped Vanes, Angle Top or Cut-out blinds

Vane Style	Standard/Option	Description
Fabric	Standard	3-sided sewn-in weight
	Option	Single nickel-plated chain at back of vanes with clips
Vinyl	Standard	No bottom chain
	Option	Single nickel-plated chain in the middle of the vanes
Channel Panel	Standard	No bottom weights or chain



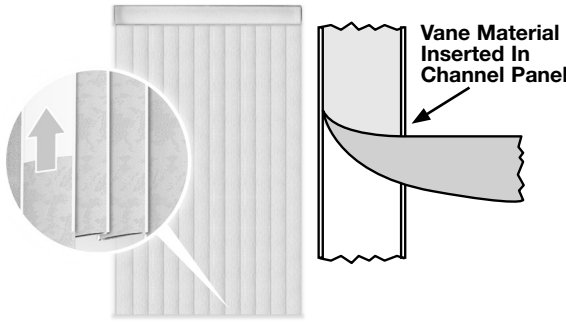
Back side of vanes shown

Bottom Chain And Clip Fabric Vanes

Free hang only.

Blind Options

Vertical Blinds: Stay Clear™ Channel Panel for Fabric Vanes



- See surcharge on price charts
- Replacement Channel Panel pricing, see Price Chart B
- Vane material inserted into extruded Channel Panel with clear edges; see Blind Features for fabric styles available
- Offers improved privacy, room darkening and a neutral color appearance from exterior of window
- Channel Panel colors are: Ivory (#7137) or White (#7136)
- Not available with bottom chain

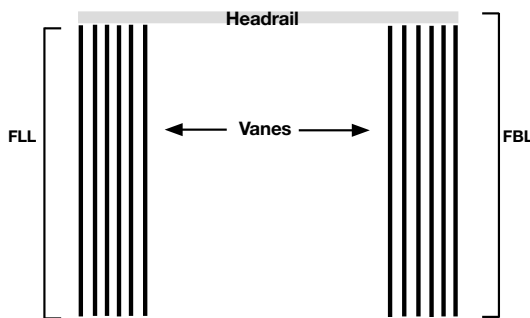
Verticals and Sheer Vertical Blinds: Paired Blinds



- Price as two separate blinds
- The appearance of a Split Stack blind can be achieved by pairing blinds; the center opening point can be either on center or off center
- Paired Blinds can also be used when the required width is larger than the maximum width available for a single blind
- Specify Paired Blinds on your order
- Control locations must be same as stack
- Recommend ordered as left/left and right/right
- Square-corner Valance with dust cover only
- Available with one-way cord and chain only

Verticals and Sheer Vertical Blinds: Replacement Vane Ordering

See the column at the far right of each price chart, for individual vane pricing based on material desired.



How to Price a Replacement Vane

- Use the Price Charts for individual vane pricing
- Determine which chart based on material desired
- Locate height of your vane on the left side of the chart
- Use the price on the right side of chart that coincides with the height of Vane desired

How to Measure a Replacement Existing Vane, No Changes

- Measure the vane(s) from tip to tip to determine the exact finished vane length/height (FLL)
- No additional deductions will be taken by manufacturing; vanes will be manufactured to the exact size you provide
- Submit the measurement as exact height

How to Measure a Replacement Existing Vane, Changing the Height of the Vanes

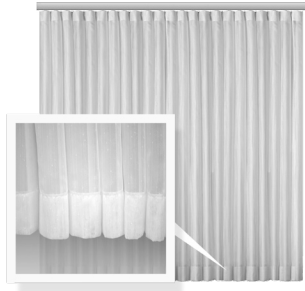
- Measure from top of mounted headrail to bottom of location to be covered
- Record this measurement; this is the Finished Blind Length/Height (FBL)
- Manufacturing will take appropriate deduction so Vanes will cover desired area

NOTE:

- Free hang fabric vanes include bottom weights
- Bottom chains for vinyl vanes are optional; must be specified at time of order

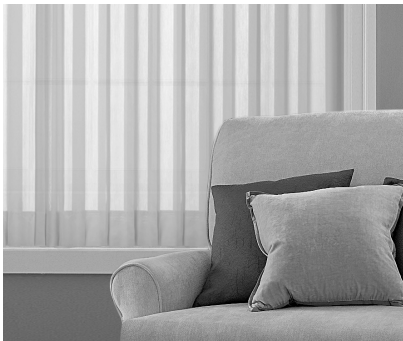
Blind Options

Sheer Vertical Blinds: Hem Style



- 4" (10.2 cm) Drapery Hem is Standard

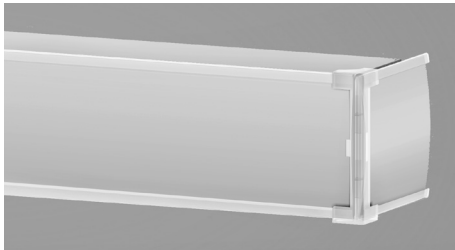
Sheer Vertical Blinds: Cut Yardage



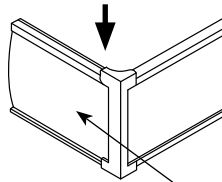
- **For pricing, see Options Pricing**
- Create matching soft window treatments, scarves, swags or toppers
- All fabrics are available by the yard (1 yard (91.5 cm) minimum) and are 117" (297.2 cm) wide
- Cut yardage fabric may not be an exact match due to dye lot variations
- Cut yardage fabric may need to be ironed when received using low temperature setting
- Cut yardage is provided as is; there is no warranty regarding suitability in desired application; not recommended for upholstery; edges are not finished

Blind Options

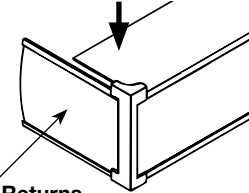
Vertical Blinds: Square-Corner Valance



Square-corner Valance without Dust Cover



Square-corner Valance with Dust Cover



5½" (14.0 cm) Returns

- For surcharge, see Price Charts
- The Square-corner Valance is an extruded vinyl Stay-Clear™ Channel Panel, which is sized to hold 3½" (8.9 cm) wide vane material; it includes two 5½" (14.0 cm) returns
- Valances greater than 192" (487.7 cm) must have a dust cover

Maximum Valance Size Limitations

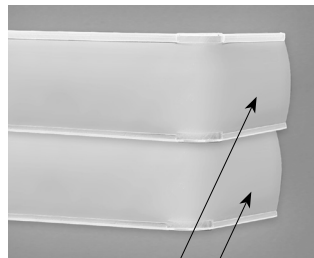
	Valance		Returns	
	Max Vinyl	Max Fabric	Min	Max
Square-corner Valance	191" (485.10 cm)	191" (485.10 cm)	3" (7.7 cm)	8" (20.4 cm)

Vertical and Sheer Vertical Blinds: Round-Corner and Double Round-corner Valances



5½" (14.0 cm) Return

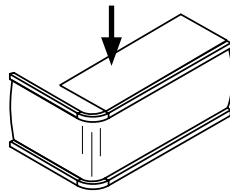
Round-corner Valance



5½" (14.0 cm) Return
4¾" (11.8 cm) Return

Double Round-corner Valance

Round-corner Valance with Dust Cover



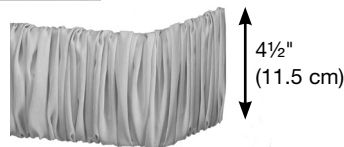
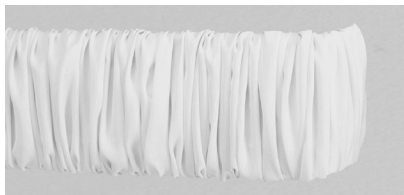
Outside Mount Only

- For surcharge, see Price Charts
- The Round-corner Valance system features the Stay-Clear™ Channel Panel is guaranteed not to yellow; accommodates vinyl and fabric vanes as inserts; S-Shaped style vanes use matching crown profile for valance insert
- Create a layered look with a Double Round-corner Valance
- Round and Double Round-corner Valances include 5½" (14.0 cm) returns
- Single Round Corner Valance = 3¾" (9.6 cm) high
- Double Round Corner Valance = 6½" (16.6 cm) high

Maximum Valance Size Limitations

	Valance		Returns	
	Max Vinyl	Max Fabric	Min	Max
Round-corner Valance	175" (444.5 cm)	191" (485.10 cm)	3" (7.7 cm)	8" (20.4 cm)
Double Round-corner Valance	175" (444.5 cm)	191" (485.10 cm)	3" (7.7 cm)	8" (20.4 cm)

Sheer Vertical Blinds: Dauphine® Valance



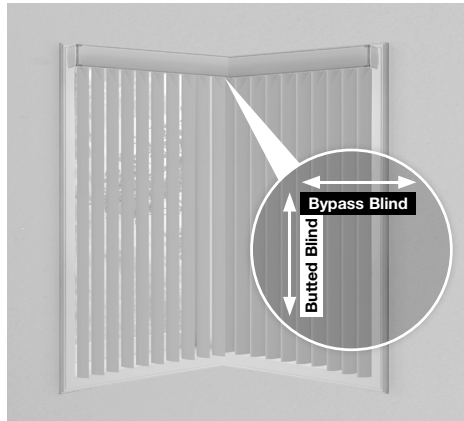
- No charge
- Fabric is Shirred for a soft look
- Snap-in brackets for easy installation
- Threader cap provides no-snag shirring of sheer fabric
- Notched for minimum 2½" (6.4 cm) returns and will extend to 7½" (19.1 cm) using the additional return slides which are included

NOTE: Top hem of blind will be visible below the Dauphine Valance.

Also available are Wood Cornices and Valances; see Cornice and Valance Price List for more information.

Blind Options

Vertical and Sheer Vertical Blinds: Bay and Corner Windows

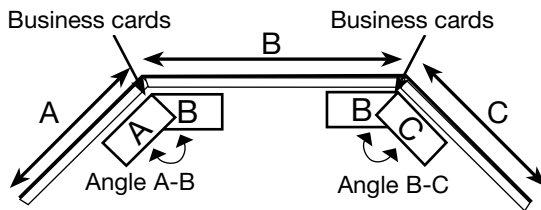


- No charge
- Minimal corner gaps
- Square-corner valance with dust cover only
- Chain and cord only
- Each blind is controlled separately
- List each track width and height on separate lines
- Price as separate blinds
- If no deductions are required, do not order as bay or corner

Measuring Information

Corner Window

Measure: Width of each window from corner to the point you would like to cover



Three-sided Bay Window

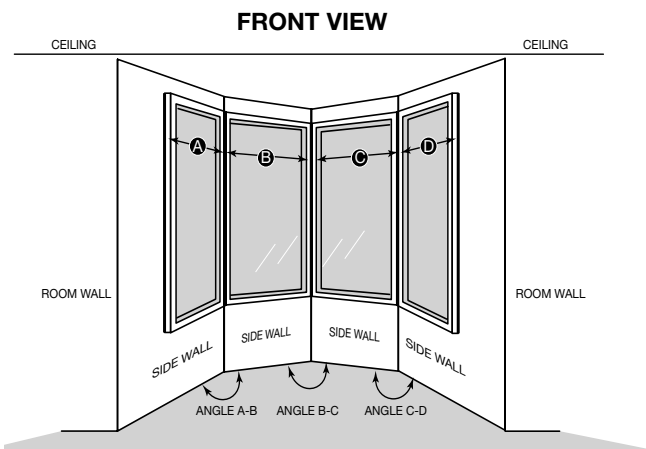
Measure:

A & C: Width of side windows from the corners to the point you would like the blind to cover.

B: Width of the center window from corner to corner.

Angle A-B: Angle between windows (A) and (B).

Angle B-C: Angle between windows (B) and (C).



Four-sided Bay Window

Measure:

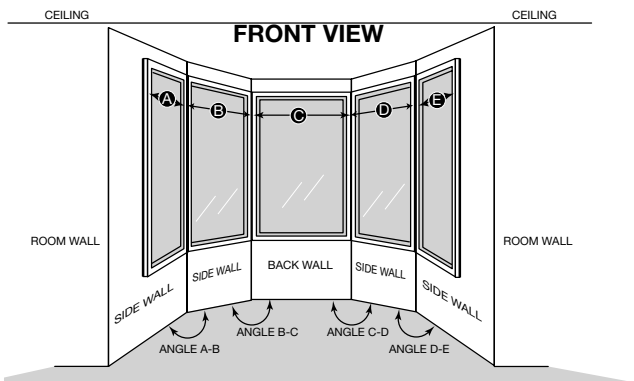
A & D: Width of side windows from the corners to the point you would like the blind to cover.

B & C: Width of each window from corner to corner.

Angle A-B: Angle between windows (A) and (B).

Angle B-C: Angle between windows (B) and (C).

Angle C-D: Angle between windows (C) and (D).



Five-sided Bay Window

Measure:

A & E: Width of side windows from the corners to the point you would like the blind to cover.

B, C & D: Width of each center window from corner to corner.

Angle A-B: Angle between windows (A) and (B).

Angle B-C: Angle between windows (B) and (C).

Angle C-D: Angle between windows (C) and (D).

Angle D-E: Angle between windows (D) and (E).

NOTE: Measure bay angle using protractor or angle finder, or use two business cards as illustrated above and fax to customer service.

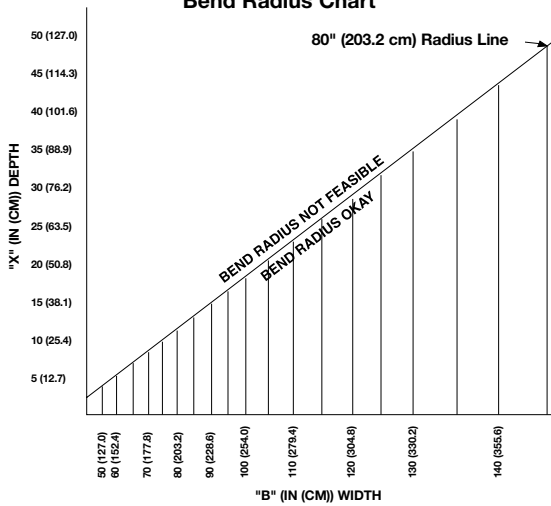
Blind Options

Vertical Blinds: Specialty Shapes: Curved Headrail Blinds



- For surcharges, see Options Pricing
- Minimum width 48" (122.0 cm) exact
- Maximum width 168" (426.8 cm)
- See chart for feasibility
- **NOT available with a Valance and Cornice**
- **One Touch® Control not available**

Bend Radius Chart



Bend Radius to Be Calculated by Springs Window Fashions

Curved Headrail Bend Radius Chart

Headrail cannot be bent to a radius tighter than 80" (203.2 cm).

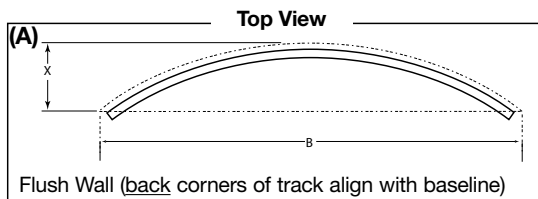
To check your application for bend radius:

1. Determine preferred application - A, B, or C (below).
2. Measure "B" and "X" for your application (diagrams below).
3. On the Bend Radius Chart, draw a line up from your "B" dimension and over from your "X" dimension.
4. If your two lines intersect below the 80" (203.2 cm) radius line, application is okay. If lines intersect above the 80" (203.2 cm) radius line, application is not feasible.
5. **Factory will make allowance for vane clearance.**

NOTE: Depending on bend, separate tracks may be recommended by factory.

Curved Headrail Measuring Guide

See appropriate window drawing. To ensure a proper fit, fax a diagram to Customer Service.

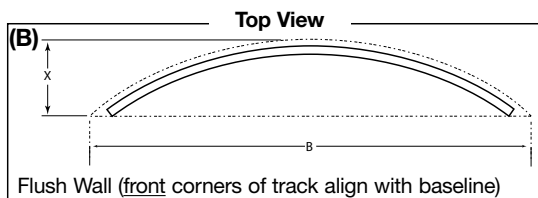


Factory will make allowance for vane clearance.

Measurements should be taken from wall to wall or window to window.

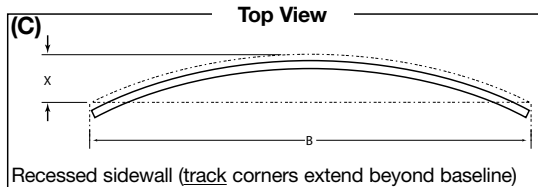
Standard Application (A)

Measure exact window baseline (B) and depth (X). Factory will make deduction for vane clearance. Diagram shows back corner of track sitting on the baseline. **This minimizes light gaps at ends of tracks.**



Optional Application (B)

Measure exact window baseline (B) and depth (X). Indicate that front corners of headrail should be flush with baseline. Factory will make appropriate deductions. Diagram shows front corners of track sitting on the baseline. **This application could leave light gaps at end of track giving visibility to outside.**

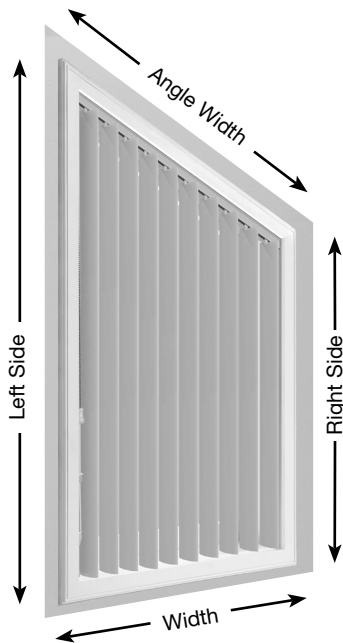


Optional Application (C)

Measure exact window baseline (B) and depth (X). Also indicate recessed wall measurement. Factory will take deductions for vane clearance. Diagram shows track extending beyond the baseline. **This will help cover the side walls to minimize any light gap.**

Blind Options

Vertical Blinds: Specialty Shapes: Angled Window Headrail



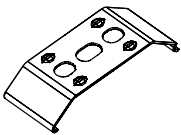
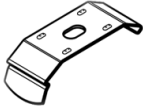
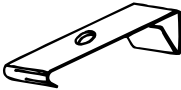
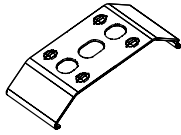
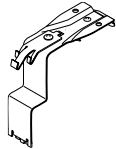
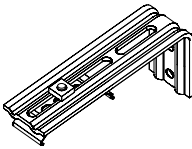
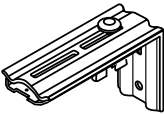
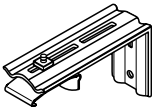
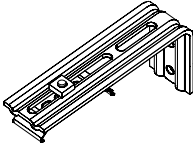
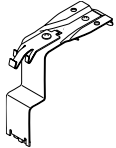
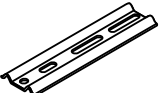
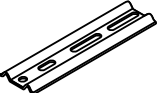
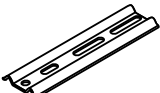
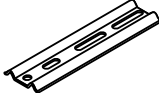
- **For surcharges, see Options Pricing**
- Ideal for sloping, cathedral-type windows
- Only available in single stack cord control Vertical blinds
- Vane stack and cord control must be at the highest point of the window
- Exact dimensions must accompany orders to ensure proper fit
- Steepest slope possible is 55°
- Maximum size: 144" (365.8 cm) wide x 144" (365.8 cm) long, depending on angle
- Minimum low end is 6" (15.3 cm)
- Available on G71 Super-Vue® headrail only
- Square-corner valance with dust cover only; must be mitered at time of installation
- E-Z Open™ standard – No Charge
- Bottom Chains are not available

Measuring Outside Mount

1. Measure exact width and height of area to be covered. It is recommended that shades overlap window frame or opening by 1½" (3.9 cm) on each side.
2. Measure height of opening on left side and mark this dimension "left". Allow for overlap as desired: 1½" (3.9 cm) on top and bottom is recommended.
3. Measure height of opening on right side and mark this dimension "right." Allow for the same overlap as left side.
4. Factory will determine the angle from these three dimensions.

General Information

Vertical and Sheer Vertical Blinds: Installation Hardware

	G-71	G-98	G-85	Sheer Verticals	
Track Clip for Inside or Ceiling Mount					Dauphine® Valance Bracket 
L-Bracket for Outside or Wall Mount					Dauphine® Valance Bracket 
Optional Flat Projection Bracket <small>(NOTE: Attaches to angle bracket with nut/bolt pairs. Must be requested at time of order.)</small>					

Vertical and Sheer Vertical Blinds: Number of Mounting Brackets

Sheer Verticals: Number of Headrail and Dauphine Valance Mounting Brackets

Blind Width	17" (43.2 cm) - 54" (137.2 cm)	54 ¹ / ₁₆ " (137.4 cm) - 81" (205.8 cm)	81 ¹ / ₁₆ " (205.9 cm) - 108" (274.4 cm)	108 ¹ / ₁₆ " (274.5 cm) - 135" (342.9 cm)	135 ¹ / ₁₆ " (343.1 cm) - 162" (411.5 cm)	162 ¹ / ₁₆ " (411.7 cm) - 191" (485.2 cm)
No. of Brackets	2	3	4	5	6	7

G-98 Headrail

Blind Width	9" (22.9 cm) - 50" (127.0 cm)	50" (127.0 cm) - 90" (228.6 cm)	91" (231.2 cm) - 130" (330.2 cm)	131" (332.8 cm) - 170" (431.8 cm)	171" (434.4 cm) - 191" (485.2 cm)
No. of Brackets	2	3	4	5	6

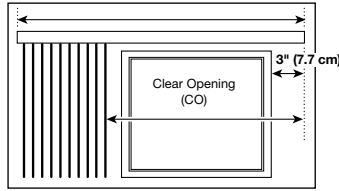
G-71 and G-85 Headrail

Blind Width	9" (22.9 cm) - 62" (157.5 cm)	63" (160.1 cm) - 98" (249.0 cm)	99" (251.5 cm) - 134" (340.4 cm)	135" (342.9 cm) - 170" (431.8 cm)	171" (434.4 cm) - 191" (485.1 cm)
No. of Brackets	2	3	4	5	6

General Information

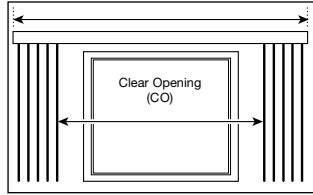
Vertical and Sheer Vertical Blinds: Clear Opening: How to Measure for Uncovered Window

Stack Left Finished Blind Width (FBW)



Split Stack

(recommended for balanced appearance)
Finished Blind Width (FBW)



1. Determine headrail type and the clear opening width for split stack, stack right or stack left (See diagrams) - the additional 3" (7.7 cm) shown for privacy is recommended if ordering a right or left stack.
2. Match the clear opening width with dimension found under "CO" column below. For even spacing, round up width measurement to the next size in the stack chart. Split stack will have even number of vanes.
3. Order the corresponding dimension found in the "FBW" (Finished Blind Width) column below.

Example: Stack Left

If determined width for clear opening window view is 54¹/₄" (137.8 cm), order width needed to provide full unobstructed view is 66³/₄" (169.6 cm).

NOTE: For stack right or stack left blinds add an additional 3" (7.7 cm) to the clear opening **before** calculating the finished blind width.

For G-98 Ultra-Vue™ and G-85 Dura-Vue® headrails, and One Touch® Control, see appropriate Stacking Charts for single stack blinds only on the following pages.

Vertical Blinds: Vane Stacking Chart: G-71 Super-Vue® 3¹/₂" (8.9 cm)

Number of Vanes	Single Stack		Split Stack	
	CO in. (cm)	FBW in. (cm)	CO in. (cm)	FBW in. (cm)
3	6 ⁷ / ₈ (17.5)	10 ⁵ / ₈ (25.8)		
4	9 ¹ / ₂ (24.2)	13 ¹ / ₄ (33.7)	7 ¹ / ₄ (18.5)	12 ¹ / ₂ (31.8)
5	12 ¹ / ₂ (30.8)	16 ³ / ₈ (41.6)		
6	14 ¹ / ₂ (37.8)	19 ⁵ / ₈ (49.9)	12 ¹ / ₂ (31.8)	18 ³ / ₄ (47.7)
7	17 ¹ / ₂ (44.5)	22 ³ / ₄ (57.8)		
8	20 ¹ / ₂ (51.2)	25 ⁵ / ₈ (65.8)	17 ⁵ / ₈ (45.5)	25 ⁵ / ₈ (63.9)
9	22 ³ / ₄ (57.8)	29 (73.7)		
10	25 ⁵ / ₈ (64.5)	32 ¹ / ₂ (81.6)	23 ¹ / ₄ (59.1)	31 ¹ / ₂ (79.7)
11	28 ¹ / ₂ (71.5)	35 ⁵ / ₈ (89.9)		
12	30 ³ / ₄ (78.2)	38 ¹ / ₂ (97.8)	28 ¹ / ₂ (72.4)	37 ³ / ₄ (95.9)
13	33 ³ / ₈ (84.8)	41 ¹ / ₂ (105.8)		
14	36 ¹ / ₂ (91.8)	44 ³ / ₄ (113.7)	33 ³ / ₄ (85.8)	44 (111.8)
15	38 ³ / ₄ (98.5)	47 ¹ / ₂ (121.7)		
16	41 ¹ / ₂ (105.1)	51 (129.6)	39 ¹ / ₂ (99.4)	50 ¹ / ₄ (127.7)
17	44 (111.8)	54 ¹ / ₄ (137.8)		
18	46 ¹ / ₂ (118.5)	57 ³ / ₈ (145.8)	44 ¹ / ₂ (113.1)	56 ¹ / ₂ (143.9)
19	49 ¹ / ₂ (125.5)	60 ¹ / ₂ (153.7)		
20	52 (132.1)	63 ³ / ₈ (161.7)	49 ³ / ₄ (126.4)	62 ¹ / ₂ (159.8)
21	54 ³ / ₈ (138.8)	66 ³ / ₄ (169.6)		
22	57 ³ / ₈ (145.8)	70 (177.8)	55 (139.7)	69 ³ / ₈ (175.6)
23	60 (152.4)	73 ³ / ₈ (185.8)		
24	62 ¹ / ₂ (159.1)	76 ¹ / ₄ (193.7)	60 ⁵ / ₈ (153.4)	75 ¹ / ₂ (191.8)
25	65 ¹ / ₄ (165.8)	79 ³ / ₈ (201.7)		
26	67 ¹ / ₂ (172.5)	82 ¹ / ₂ (209.6)	65 ³ / ₄ (167.1)	81 ³ / ₄ (207.7)
27	70 ¹ / ₂ (179.4)	85 ³ / ₄ (217.9)		
28	73 ¹ / ₄ (186.1)	88 ³ / ₈ (225.8)	71 (180.4)	88 (223.6)
29	75 ³ / ₈ (192.8)	92 (233.7)		
30	78 ¹ / ₂ (199.8)	95 ¹ / ₂ (241.7)	76 ¹ / ₄ (193.7)	94 ¹ / ₂ (239.8)
31	81 ¹ / ₄ (206.4)	98 ¹ / ₄ (249.6)		

Number of Vanes	Single Stack		Split Stack	
	CO in. (cm)	FBW in. (cm)	CO in. (cm)	FBW in. (cm)
32	83 ¹ / ₈ (213.1)	101 ¹ / ₈ (257.5)	81 ¹ / ₂ (207.1)	100 ⁵ / ₈ (255.6)
33	86 ¹ / ₂ (219.8)	104 ³ / ₄ (265.8)		
34	89 ¹ / ₂ (226.4)	107 ³ / ₄ (273.7)	86 ¹ / ₂ (220.7)	107 (271.8)
35	91 ³ / ₄ (233.1)	110 ¹ / ₂ (281.7)		
36	94 ¹ / ₂ (240.1)	114 (289.6)	92 ¹ / ₂ (234.0)	113 ¹ / ₄ (287.7)
37	97 ¹ / ₂ (246.7)	117 ¹ / ₂ (297.5)		
38	99 ³ / ₄ (253.4)	120 ¹ / ₂ (305.8)	97 ¹ / ₂ (247.4)	119 ¹ / ₂ (303.6)
39	102 ¹ / ₂ (260.1)	123 ¹ / ₂ (313.7)		
40	105 ¹ / ₂ (267.1)	126 ¹ / ₂ (321.7)	102 ¹ / ₂ (261.0)	125 ¹ / ₂ (319.8)
41	107 ³ / ₄ (273.7)	129 ³ / ₄ (329.6)		
42	110 ¹ / ₂ (280.4)	132 ¹ / ₂ (337.6)	108 ¹ / ₂ (274.7)	132 ¹ / ₂ (335.6)
43	113 (287.1)	136 (345.5)		
44	115 ³ / ₄ (294.1)	139 ¹ / ₄ (353.7)	113 ¹ / ₂ (288.0)	138 ³ / ₄ (351.5)
45	118 ³ / ₈ (300.7)	142 ¹ / ₂ (361.7)		
46	121 (307.4)	145 ¹ / ₂ (369.6)	118 ¹ / ₂ (301.4)	144 ³ / ₄ (367.7)
47	123 ³ / ₈ (314.1)	148 ¹ / ₂ (377.6)		
48	126 ¹ / ₂ (321.0)	151 ¹ / ₄ (385.5)	124 (315.0)	151 (383.6)
49	129 (327.7)	155 (393.7)		
50	131 ¹ / ₂ (334.4)	158 ¹ / ₂ (401.7)	129 ¹ / ₄ (328.3)	157 ¹ / ₄ (399.5)
51	134 ¹ / ₄ (341.0)	161 ¹ / ₄ (409.6)		
52	137 (348.0)	164 ¹ / ₂ (417.6)	134 ¹ / ₂ (342.0)	163 ¹ / ₂ (415.7)
53	139 ³ / ₈ (354.7)	167 ¹ / ₂ (425.5)		
54	142 ¹ / ₄ (361.4)	170 ¹ / ₂ (433.4)	139 ¹ / ₂ (355.3)	169 ¹ / ₂ (431.5)
55	144 ³ / ₈ (368.0)	173 ³ / ₈ (441.7)		
56	147 ¹ / ₂ (375.0)	177 (449.6)	145 ¹ / ₄ (369.0)	176 ¹ / ₄ (447.7)
57	150 ¹ / ₄ (381.7)	180 ¹ / ₂ (457.6)		
58	152 ¹ / ₂ (388.4)	183 ¹ / ₄ (465.5)	150 ¹ / ₂ (382.3)	182 ¹ / ₂ (463.6)
59	155 ¹ / ₂ (395.0)	186 ¹ / ₂ (473.4)		
60	158 ¹ / ₄ (402.0)	189 ¹ / ₂ (481.7)	155 ¹ / ₂ (396.0)	188 ³ / ₄ (479.5)
61	159 ³ / ₄ (404.2)	191 (485.2)		
62			157 (398.8)	191 (485.2)

FBW = Finished Blind Width
CO = Clear Opening
STACK = FBW - CO

For even spacing on outside mounts, round up width measurement to the next size in the stack chart. Split stack blinds must have an even number of vanes.

General Information

Vertical Blinds: Vane Stacking Chart: G-98 Ultra-Vue™ 3½" (8.9 cm)

Number of Vanes	Single Stack		Split Stack	
	CO in. (cm)	FBW in. (cm)	FBW in. (cm)	FBW in. (cm)
3	7¼ (18.5)	10¼ (26.1)		
4	10 (25.4)	13¾ (34.0)	8½ (21.6)	13½ (34.3)
5	12¾ (32.8)	16½ (42.0)		
6	15½ (39.4)	19½ (49.9)	14 (35.6)	19¾ (50.2)
7	18¾ (46.7)	22¾ (57.8)		
8	21½ (53.7)	25½ (65.8)	19½ (49.6)	26 (66.1)
9	23¾ (60.7)	29 (73.7)		
10	26¾ (68.0)	32½ (81.6)	25½ (63.9)	32¼ (82.0)
11	29¾ (74.7)	35½ (89.3)		
12	32¼ (82.0)	38¼ (97.2)	30½ (77.8)	38¾ (97.5)
13	35 (88.9)	41¾ (105.1)		
14	37¾ (95.9)	44½ (113.1)	36¼ (92.1)	44¾ (113.4)
15	40½ (102.9)	47½ (121.0)		
16	43¾ (110.2)	50¾ (129.0)	41¾ (106.1)	50¾ (129.3)
17	46½ (117.2)	53¾ (136.9)		
18	48¾ (124.2)	57 (144.8)	47¾ (120.4)	57½ (145.1)
19	51¾ (131.2)	60 (152.4)		
20	54¾ (138.2)	63¾ (160.4)	52¾ (134.4)	63¼ (160.7)
21	57¼ (145.5)	66¼ (168.3)		
22	60 (152.4)	69¾ (176.3)	58¾ (148.3)	69½ (176.6)
23	62¾ (159.4)	72½ (184.2)		
24	65½ (166.4)	75¾ (192.1)	64 (162.6)	75¾ (192.5)
25	68¼ (173.4)	78¾ (200.1)		
26	71½ (180.7)	80¾ (205.5)	69½ (176.6)	82 (208.3)
27	73¾ (187.7)	85 (215.9)		
28	76¾ (194.7)	88 (223.6)	75 (190.5)	88½ (223.9)
29	79¾ (201.7)	91¾ (231.5)		
30	82¼ (209.0)	94¼ (239.4)	80¾ (204.8)	94¾ (239.8)
31	85 (215.9)	97¾ (247.4)		
32	87¾ (222.9)	100½ (255.3)	86¾ (218.8)	100¾ (255.6)
33	90½ (229.9)	103¾ (263.3)		
34	93¼ (238.2)	106¾ (271.2)	91¾ (233.1)	106¾ (271.5)
35	96¾ (244.2)	109¾ (279.1)		
36	98¾ (250.9)	112¾ (286.8)	97¼ (247.1)	113 (287.1)
37	101¾ (258.2)	116 (294.7)		
38	104¾ (265.2)	119¾ (302.6)	102¾ (261.4)	119¼ (302.9)
39	107¾ (272.1)	122¼ (310.6)		
40	109¾ (279.1)	125¾ (318.5)	108¾ (275.3)	125½ (318.8)
41	112¾ (286.4)	128½ (326.4)		
42	115½ (293.4)	131¾ (334.4)	113¾ (289.3)	131¾ (334.7)
43	118¼ (300.4)	134¾ (342.3)		
44	121¼ (307.7)	137¾ (350.3)	119½ (303.6)	138 (350.6)
45	123¾ (314.4)	140¾ (357.9)		
46	126¾ (321.7)	144 (365.8)	125 (317.5)	144¾ (366.1)
47	129¾ (328.7)	147¾ (373.7)		
48	132¾ (335.6)	150¼ (381.7)	130¾ (331.8)	150¾ (382.0)
49	134¾ (342.6)	153¾ (389.6)		
50	137¾ (349.6)	156½ (397.6)	136¾ (345.8)	156¾ (397.9)
51	140½ (356.9)	159¾ (405.5)		
52	143¼ (363.9)	162¾ (413.4)	141¾ (360.1)	162¾ (413.8)
53	146 (370.9)	165¾ (421.1)		
54	148¾ (377.9)	168¾ (429.0)	147¼ (374.1)	169 (429.3)
55	151¾ (385.2)	172 (436.9)		
56	154¾ (392.2)	175½ (444.9)	152¾ (388.0)	175¼ (445.2)
57	157¾ (399.1)	178¼ (452.8)		
58	159¾ (406.1)	181¾ (460.7)	158¼ (402.0)	181½ (461.1)
59	162¾ (413.1)	184½ (468.7)		
60	165½ (420.4)	187¾ (476.6)	163¾ (416.3)	187¾ (476.9)
61	168¾ (427.1)	190¾ (484.2)		
62	168¾ (427.1)	191 (485.2)	166½ (423.0)	191 (485.2)

Vertical Blinds: Vane Stacking Chart: G-85 Dura-Vue® 3½" (8.9 cm)

Number of Vanes	Single Stack		Split Stack	
	CO in. (cm)	FBW in. (cm)	FBW in. (cm)	FBW in. (cm)
3	6¾ (17.5)	10¾ (25.8)		
4	9½ (24.2)	13¼ (33.7)	7¼ (18.5)	12½ (31.8)
5	12½ (30.8)	16¾ (41.6)		
6	14¾ (37.5)	19½ (49.6)	12½ (31.8)	18¾ (47.7)
7	17¾ (44.2)	22½ (57.5)		
8	20 (50.8)	25¾ (65.5)	17¾ (45.1)	25 (63.5)
9	22¾ (57.8)	28¾ (73.4)		
10	25¾ (64.5)	32 (81.3)	23 (58.5)	31¼ (79.4)
11	28 (71.2)	35¾ (89.3)		
12	30¾ (77.8)	38¼ (97.2)	28¾ (72.1)	37½ (95.3)
13	33¼ (84.5)	41¾ (105.1)		
14	35¾ (91.2)	44½ (113.1)	33¾ (85.5)	43¾ (111.2)
15	38½ (97.8)	47¾ (121.0)		
16	41¼ (104.5)	50¾ (129.0)	38¾ (98.8)	50 (127.0)
17	43¾ (111.2)	53¾ (136.9)		
18	46¾ (117.8)	57 (144.8)	44¾ (112.1)	56¼ (142.9)
19	49 (124.5)	60¾ (152.8)		
20	51¾ (131.2)	63¾ (160.7)	49¾ (125.5)	62½ (158.8)
21	54¾ (138.2)	66¾ (168.6)		
22	57 (144.8)	69½ (176.6)	54¾ (138.8)	68¾ (174.7)
23	59¾ (151.5)	72¾ (184.5)		
24	62¼ (158.2)	75¾ (192.5)	60 (152.4)	75 (190.5)
25	64¾ (164.8)	78¾ (200.4)		
26	67½ (171.5)	82 (208.3)	65¼ (165.8)	81¼ (206.4)
27	70¾ (178.2)	85¾ (216.3)		
28	72¾ (184.8)	88¼ (224.2)	70½ (179.1)	87½ (222.3)
29	75¾ (191.5)	91¾ (232.1)		
30	78 (198.2)	94¾ (240.1)	75¾ (192.5)	93¾ (238.2)
31	80¾ (204.8)	97¾ (248.0)		
32	83¼ (211.5)	100¾ (256.0)	81 (205.8)	100 (254.0)
33	85¾ (218.2)	103¾ (263.9)		
34	88½ (224.8)	107 (271.8)	86¼ (219.1)	106¼ (269.9)
35	91¾ (231.5)	110¾ (279.8)		
36	93¾ (238.5)	113¼ (287.7)	91½ (232.5)	112½ (285.8)
37	96½ (245.2)	116¾ (295.6)		
38	99¾ (251.8)	119½ (303.6)	96¾ (245.8)	118¾ (301.7)
39	101¾ (258.5)	122¾ (311.5)		
40	104¾ (265.2)	125¾ (319.5)	102 (259.1)	125 (317.5)
41	107 (271.8)	128¾ (327.4)		
42	109¾ (278.5)	132 (335.3)	107¾ (272.8)	131¼ (333.4)
43	112¼ (285.2)	135¾ (343.3)		
44	114¾ (291.8)	138¾ (351.2)	112¾ (286.1)	137½ (349.3)
45	117½ (298.5)	141¾ (359.1)		
46	120¾ (305.2)	144½ (367.1)	117¾ (299.5)	143¾ (365.2)
47	122¾ (311.8)	147¾ (375.0)		
48	125½ (318.8)	150¾ (383.0)	123¾ (312.8)	150 (381.0)
49	128¾ (325.5)	153¾ (390.9)		
50	130¾ (332.2)	157 (398.8)	128¾ (326.1)	156¼ (396.9)
51	133¾ (338.8)	160¾ (406.8)		
52	136 (345.5)	163¼ (414.7)	133¾ (339.5)	162½ (412.8)
53	138¾ (352.2)	166¾ (422.6)		
54	141¼ (358.8)	169½ (430.6)	139 (353.1)	168¾ (428.7)
55	143¾ (365.5)	172¾ (438.5)		
56	146½ (372.2)	175¾ (446.5)	144¼ (366.4)	175 (444.5)
57	149¾ (378.8)	178¾ (454.4)		
58	151¾ (385.5)	182 (462.3)	149½ (379.8)	181¼ (460.4)
59	154¾ (392.2)	185¾ (470.3)		
60	157 (398.8)	188¼ (478.2)	154¾ (393.1)	187½ (476.3)
61	159¾ (404.9)	191 (485.2)		
62			157¼ (399.5)	191 (485.2)

FBW = Finished Blind Width
CO = Clear Opening
STACK = FBW - CO

General Information

Vertical Blinds: Vane Stacking Chart: One Touch® Control (All Headrail Styles)

G-71 Super-Vue®		
Number of Vanes	Single Stack	
	CO in. (cm)	FBW in. (cm)
3	6½ (15.6)	9¾ (24.8)
4	8¾ (22.3)	12½ (32.8)
5	11½ (29.3)	16 (40.7)
6	14¼ (35.9)	19¼ (48.9)
7	16¾ (42.6)	22½ (56.9)
8	19½ (49.6)	25½ (64.8)
9	22¼ (56.2)	28½ (72.8)
10	24¾ (62.9)	31¾ (80.7)
11	27¾ (69.6)	35 (88.9)
12	30 (76.2)	38¾ (96.9)
13	32¾ (83.2)	41¼ (104.8)
14	35¾ (89.9)	44¾ (112.8)
15	38 (96.6)	47½ (120.7)
16	40¾ (103.2)	50¾ (128.6)
17	43¾ (110.2)	53¾ (136.9)
18	46 (116.9)	57 (144.8)
19	48¾ (123.6)	60¾ (152.8)
20	51¾ (130.5)	63¾ (160.7)
21	54 (137.2)	66¾ (168.6)
22	56¾ (143.9)	69¾ (176.9)
23	59¾ (151.5)	73¾ (185.8)
24	62¼ (158.2)	76¼ (193.7)
25	65 (165.1)	79¾ (201.7)
26	67¾ (171.8)	82½ (209.6)
27	70¼ (178.5)	85¾ (217.9)
28	73 (185.5)	88¾ (225.8)
29	75¾ (192.1)	92 (233.7)
30	78¼ (198.8)	95¾ (241.7)
31	80¾ (205.5)	98¼ (249.6)
32	83½ (212.1)	101¾ (257.5)
33	86¼ (219.1)	104¾ (265.8)
34	88¾ (225.8)	107¾ (273.7)
35	91½ (232.5)	110¾ (281.7)
36	94¾ (239.1)	114 (289.6)
37	96¾ (245.8)	117¾ (297.5)
38	99½ (252.8)	120¾ (305.8)
39	102¾ (259.4)	123¾ (313.7)
40	104¾ (266.1)	126¾ (321.7)
41	107½ (273.1)	129¾ (329.6)
42	110¾ (279.8)	132¾ (337.6)
43	112¾ (286.4)	136 (345.5)
44	115¾ (293.1)	139¼ (353.7)
45	118 (299.8)	142¾ (361.7)
46	120¾ (306.8)	145½ (369.6)
47	123¾ (313.4)	148¾ (377.6)
48	126 (320.1)	151¾ (385.5)
49	128¾ (327.1)	155 (393.7)
50	129¼ (328.3)	156 (396.3)

G-98 Ultra-Vue™		
Number of Vanes	Single Stack	
	CO in. (cm)	FBW in. (cm)
3	6½ (15.6)	10 (25.4)
4	9 (22.9)	13¾ (33.4)
5	11¼ (29.9)	16¼ (41.3)
6	14½ (36.9)	19¾ (49.3)
7	17¼ (43.9)	22½ (57.2)
8	20¼ (51.2)	25¾ (65.1)
9	22¾ (57.8)	28¾ (72.8)
10	25¾ (65.1)	31¾ (80.7)
11	28¾ (72.1)	34¾ (88.6)
12	31¼ (79.1)	38 (96.6)
13	33¾ (86.1)	41¼ (104.5)
14	36¾ (93.1)	44¼ (112.4)
15	39½ (100.4)	47¾ (120.4)
16	42¼ (107.4)	50½ (128.3)
17	45 (114.3)	53½ (135.9)
18	47¾ (121.3)	56¾ (143.9)
19	50¾ (128.6)	59¾ (151.8)
20	53¾ (135.6)	62¾ (159.8)
21	56¾ (142.6)	66 (167.7)
22	58¾ (149.6)	69¾ (175.6)
23	62 (157.5)	72¾ (183.2)
24	64¾ (164.5)	75¼ (191.2)
25	67½ (171.5)	78¾ (199.1)
26	70¾ (178.8)	81½ (207.1)
27	73 (185.5)	84¾ (215.0)
28	75¾ (192.8)	87¾ (222.9)
29	78¾ (199.8)	90¾ (230.9)
30	81¾ (206.7)	94 (238.8)
31	84¼ (214.0)	97¾ (246.7)
32	87 (221.0)	100¾ (254.4)
33	89¾ (228.0)	103¼ (262.3)
34	92½ (235.0)	106¾ (270.2)
35	95¾ (242.3)	109½ (278.2)
36	98 (249.0)	112¾ (286.1)
37	100¾ (256.3)	115¾ (294.1)
38	103¾ (263.3)	118¾ (302.0)
39	106¾ (270.2)	122 (309.9)
40	109¾ (277.2)	125 (317.5)
41	111¾ (284.2)	128¾ (325.5)
42	114¾ (291.5)	131¼ (333.4)
43	117½ (298.5)	134¾ (341.4)
44	120¼ (305.5)	137½ (349.3)
45	123¾ (313.4)	140¾ (357.9)
46	125¾ (319.5)	144 (365.8)
47	128¾ (327.4)	147¾ (373.7)
48	131¾ (334.7)	150¼ (381.7)
49	134¾ (341.4)	153¾ (389.6)
50	136¾ (347.4)	156 (396.3)

G-85 Dura-Vue®		
Number of Vanes	Single Stack	
	CO in. (cm)	FBW in. (cm)
3	6¼ (15.9)	10½ (25.8)
4	8¾ (22.6)	13¼ (33.7)
5	11½ (29.3)	16¾ (41.6)
6	14¼ (35.9)	19½ (49.6)
7	16¾ (42.6)	22½ (57.5)
8	19¾ (49.3)	25¾ (65.5)
9	22 (55.9)	28¾ (73.4)
10	24¾ (62.9)	32 (81.3)
11	27¾ (69.6)	35¾ (89.3)
12	30 (76.2)	38¼ (97.2)
13	32¾ (82.9)	41¾ (105.1)
14	35¼ (89.6)	44¾ (113.1)
15	37¾ (96.3)	47¾ (121.0)
16	40½ (102.9)	50¾ (129.0)
17	43¾ (109.6)	53¾ (136.9)
18	45¾ (116.3)	57 (144.8)
19	48¾ (122.9)	60¾ (152.8)
20	51 (129.6)	63¾ (160.7)
21	53¾ (136.3)	66¾ (168.6)
22	56¼ (142.9)	69½ (176.6)
23	59¼ (150.5)	72¾ (184.5)
24	61¾ (157.2)	75¾ (192.5)
25	64½ (163.9)	78¾ (200.4)
26	67¼ (170.5)	82 (208.3)
27	69¾ (177.2)	85¾ (216.3)
28	72¾ (183.9)	88¾ (224.2)
29	75 (190.5)	91¾ (232.1)
30	77¾ (197.2)	94¾ (240.1)
31	80¼ (203.9)	97¾ (248.0)
32	82¾ (210.6)	100¾ (256.0)
33	85½ (217.2)	103¾ (263.9)
34	88¾ (223.9)	107 (271.8)
35	90¾ (230.6)	110¾ (279.8)
36	93¾ (237.2)	113¼ (287.7)
37	96¾ (244.2)	116¾ (295.6)
38	98¾ (250.9)	119½ (303.6)
39	101¾ (257.5)	122¾ (311.5)
40	104 (264.2)	125¾ (319.5)
41	106¾ (270.9)	128¾ (327.4)
42	109¼ (277.5)	132 (335.3)
43	111¾ (284.2)	135¾ (343.3)
44	114½ (290.9)	138¼ (351.2)
45	117¾ (297.5)	141¾ (359.1)
46	119¾ (304.2)	144½ (367.1)
47	122¾ (310.9)	147¾ (375.0)
48	125 (317.5)	150¾ (383.0)
49	127¾ (324.2)	153¾ (390.9)
50	129¾ (328.7)	156 (396.3)

Split Stack One Touch not available.

FBW = Finished Blind Width
CO = Clear Opening
STACK = FBW - CO

General Information

Sheer Verticals: Vane Stacking Chart: Outside Mount

Number of Vanes	Single Stack		Split Stack	
	CO in. (cm)	FBW in. (cm)	FBW in. (cm)	FBW in. (cm)
6	14% (37.8)	19% (49.9)	11% (28.3)	17 (43.2)
7	17% (44.5)	22% (57.8)		
8	20% (51.2)	25% (65.8)	16% (41.6)	23% (59.1)
9	22% (57.8)	29 (73.7)		
10	25% (64.5)	32% (81.6)	21% (55.3)	29% (75.3)
11	28% (71.5)	35% (89.9)		
12	30% (78.2)	38% (97.8)	27 (68.6)	35% (91.2)
13	33% (84.8)	41% (105.8)		
14	36% (91.8)	44% (113.7)	32% (82.3)	42% (107.0)
15	38% (98.5)	47% (121.7)		
16	41% (105.1)	51 (129.6)	37% (95.9)	48% (123.2)
17	44 (111.8)	54% (137.8)		
18	46% (118.5)	57% (145.8)	43 (109.3)	54% (139.1)
19	49% (125.5)	60% (153.7)		
20	52 (132.1)	63% (161.7)	48% (122.6)	61 (155.0)
21	54% (138.8)	66% (169.6)		
22	57% (145.8)	70 (177.8)	53% (136.3)	67% (171.2)
23	60 (152.4)	73% (185.8)		
24	62% (159.1)	76% (193.7)	58% (149.6)	73% (187.1)
25	65% (165.8)	79% (201.7)		
26	67% (172.5)	82% (209.6)	64% (163.2)	80 (203.2)
27	70% (179.4)	85% (217.9)		
28	73% (186.1)	88% (225.8)	69% (176.6)	86% (219.1)
29	75% (192.8)	92 (233.7)		
30	78% (199.8)	95% (241.7)	74% (190.2)	92% (235.0)
31	81% (206.4)	98% (249.6)		
32	83% (213.1)	101% (257.5)	80% (203.9)	98% (251.2)
33	86% (219.8)	104% (265.8)		
34	89% (226.4)	107% (273.7)	85% (217.2)	105% (267.1)
35	91% (233.1)	110% (281.7)		
36	94% (240.1)	114 (289.6)	90% (230.6)	111% (282.9)
37	97% (246.7)	117% (297.5)		
38	99% (253.4)	120% (305.8)	96% (244.2)	117% (299.1)
39	102% (260.1)	123% (313.7)		
40	105% (267.1)	126% (321.7)	101% (257.5)	124 (315.0)
41	107% (273.7)	129% (329.6)		
42	110% (280.4)	132% (337.6)	106% (270.9)	130% (330.9)
43	113 (287.1)	136 (345.5)		
44	115% (294.1)	139% (353.7)	112 (284.5)	136% (347.1)
45	118% (300.7)	142% (361.7)		
46	121 (307.4)	145% (369.6)	117% (298.2)	142% (363.0)
47	123% (314.1)	148% (377.6)		
48	126% (321.0)	151% (385.5)	122% (311.8)	149% (379.1)
49	129 (327.7)	155 (393.7)		
50	131% (334.4)	158% (401.7)	128 (325.2)	155% (395.0)
51	134% (341.0)	161% (409.6)		
52	137 (348.0)	164% (417.6)	133% (338.5)	161% (410.9)
53	139% (354.7)	167% (425.5)		
54	142% (361.4)	170% (433.4)	138% (352.2)	168% (427.1)
55	144% (368.0)	173% (441.7)		
56	147% (375.0)	177 (449.6)	143% (365.5)	174% (443.0)
57	150% (381.7)	180% (457.6)		
58	152% (388.4)	183% (465.5)	149% (378.8)	180% (458.8)
59	155% (395.0)	186% (473.4)		
60	158% (402.0)	189% (481.7)	154% (392.5)	187 (475.0)
61	159% (404.2)	191 (485.2)		
62			157% (400.4)	191 (485.2)

Sheer Verticals: Vane Stacking Chart: Inside Mount

Number of Vanes	Single Stack		Split Stack	
	CO in. (cm)	FBW in. (cm)	FBW in. (cm)	FBW in. (cm)
7	10% (27.0)	19% (48.9)		
8	13% (33.7)	22% (56.9)	11% (28.3)	19% (50.2)
9	15% (40.4)	25% (64.8)		
10	18% (47.0)	28% (72.8)	16% (41.6)	26 (66.1)
11	21% (54.0)	31% (81.0)		
12	24 (61.0)	35 (88.9)	21% (55.3)	32% (82.3)
13	26% (67.7)	38% (96.9)		
14	29% (74.3)	41% (104.8)	27 (68.6)	38% (98.2)
15	31% (81.0)	44% (112.8)		
16	34% (88.8)	47% (121.0)	32% (82.0)	44% (114.0)
17	37% (94.7)	50% (129.0)		
18	39% (101.3)	53% (136.9)	37% (95.9)	51% (130.2)
19	42% (108.0)	57 (144.8)		
20	45% (114.7)	60% (152.8)	43 (109.3)	57% (146.1)
21	47% (121.3)	63% (160.7)		
22	50% (128.3)	66% (169.0)	48% (122.6)	63% (162.0)
23	53% (135.0)	69% (176.9)		
24	55% (142.0)	72% (185.2)	53% (136.3)	70% (178.2)
25	58% (148.6)	76 (193.1)		
26	61% (155.3)	79% (201.0)	59 (149.9)	76% (194.4)
27	63% (162.3)	82% (209.0)		
28	66% (169.3)	85% (217.2)	64% (163.2)	82% (210.2)
29	69% (175.9)	88% (225.2)		
30	71% (182.6)	91% (233.1)	69% (176.9)	89% (226.4)
31	74% (189.3)	94% (241.0)		
32	77% (195.9)	98 (249.0)	74% (190.2)	95% (242.3)
33	80% (203.9)	101% (258.2)		
34	82% (210.6)	104% (266.1)	80% (205.2)	102% (259.4)
35	85% (217.2)	107% (274.1)		
36	88% (224.2)	111% (282.3)	86 (218.5)	108% (275.3)
37	90% (230.9)	114% (290.2)		
38	93% (237.5)	117% (298.2)	91% (232.1)	114% (291.5)
39	96% (244.2)	120% (306.1)		
40	98% (250.9)	123% (314.1)	96% (245.5)	121 (307.4)
41	101% (257.9)	126% (322.3)		
42	104% (264.5)	130 (330.2)	101% (257.9)	127% (323.3)
43	106% (271.5)	133% (338.2)		
44	109% (278.2)	136% (346.1)	106% (271.5)	133% (339.5)
45	112% (284.8)	139% (354.1)		
46	114% (291.5)	142% (362.0)	112% (284.8)	139% (355.3)
47	117% (298.5)	145% (370.3)		
48	120% (305.2)	148% (378.2)	117% (298.5)	146% (371.5)
49	122% (311.8)	152 (386.1)		
50	125% (318.5)	155% (394.1)	122% (311.8)	152% (387.4)
51	128% (325.5)	158% (402.3)		
52	130% (332.2)	161% (410.3)	128 (325.2)	158% (403.3)
53	133% (339.1)	164% (418.5)		
54	136% (345.8)	167% (426.5)	133% (338.8)	165% (419.4)
55	138% (352.5)	171 (434.4)		
56	141% (359.1)	174% (442.3)	138% (352.2)	171% (435.3)
57	144 (365.8)	177% (450.3)		
58	146% (373.1)	180% (458.5)	144 (365.8)	177% (451.2)
59	149% (379.8)	183% (466.5)		
60	152% (386.4)	186% (474.3)	149% (379.5)	184 (467.4)
61	154% (393.1)	189% (482.3)		
62	155% (394.7)	191 (485.2)	154% (392.8)	190% (483.3)
64			154% (392.2)	191 (485.2)

FBW = Finished Blind Width
CO = Clear Opening
STACK = FBW - CO

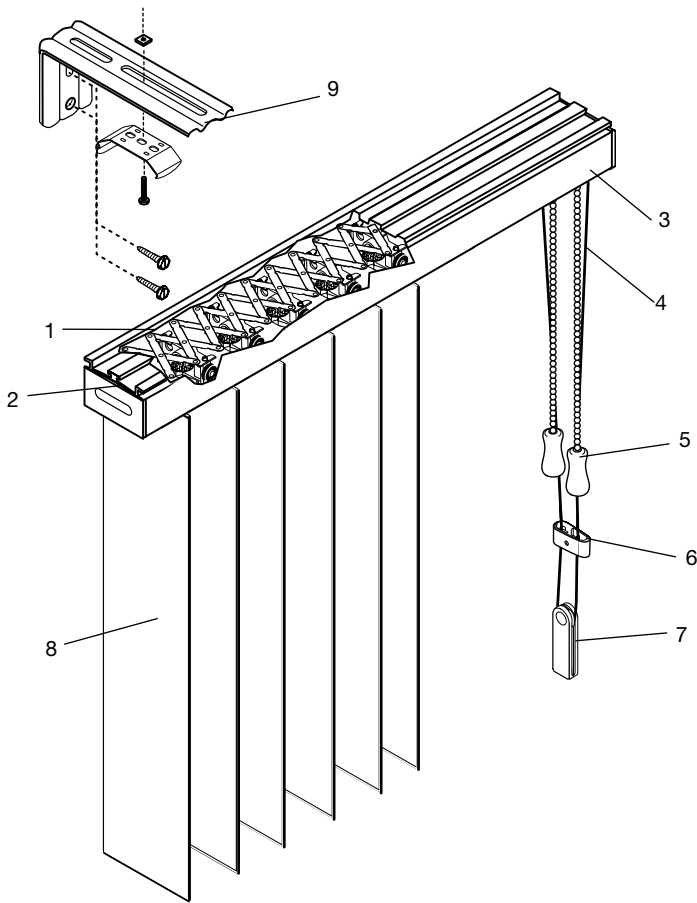
General Information

Sheer Verticals: Vane Color Coordination Chart

Fabric Name	Color Name	Color Number	Recommended Vane, Bead Chain and Cord Weight Color
Bengali	Jute	2760	Ivory
Cascade	Champagne	2080	Ivory
Dijon	Extra White	2220	White
Dijon	Downey	2221	White
Dijon	Stucco	2222	Ivory
Gossamer	Champagne	1720	Ivory
Gossamer	Parchment	1722	Ivory
Gossamer	Snowstone	1724	White
Gossamer	White	1725	White
Highlight	Champagne	1740	Ivory
Highlight	White	1741	White
Highlight	Snowstone	1742	White

General Information

G-71 Super-Vue® Product Detail



1. Pantograph Traversing System

- Requires little draw force to open and close blinds
- Vanes stay proportionately spaced when opening the blind

2. Fully Enclosed Drive End And Flush End Caps

- Provide a secure fit and clean finish

3. Aluminum Headrail

- Will not rust
- Perfect for high humidity applications

4. Traverse cord

5. Rotation Chain with Tassels

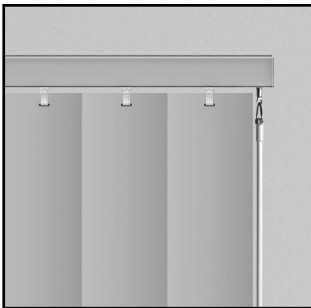
6. Cord Safety Guide

7. Cord Weight

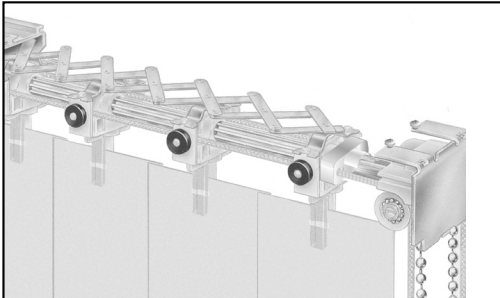
8. Vanes

9. Mounting Hardware

Exterior View



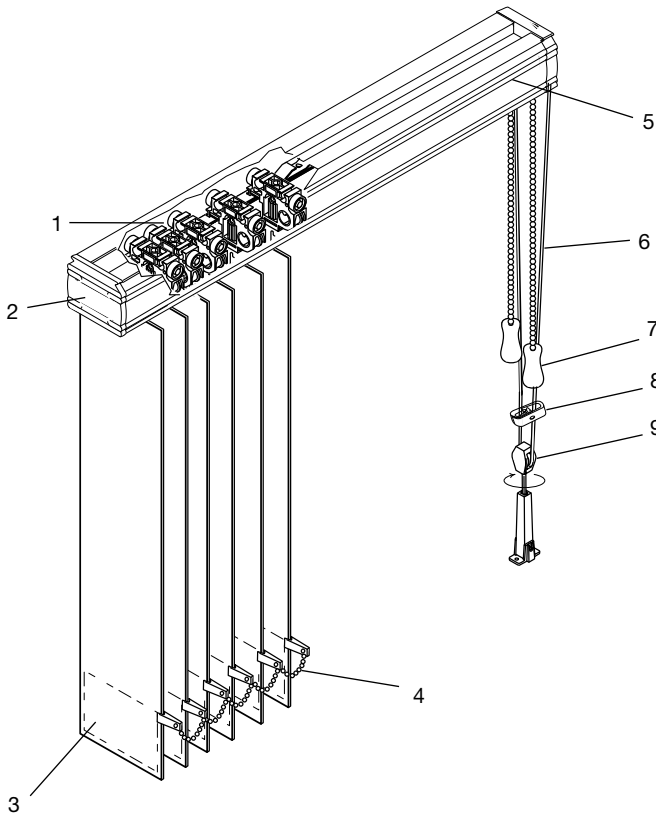
Interior View



Features	Benefits
Heavy-duty Anodized Aluminum Headrail	Will not rust; ideal for high-humidity applications
Rack and Pinion Gear System	Allows vanes to rotate smoothly and easily
Centrally Located Carrier Stems	Reversible headrail
Pantograph System	Requires very little draw force to open and close blinds; vanes stay proportionately spaced when opening the blind
Optional One Touch® Control	Safety and convenience
Removable Stems	Ability to repair instead of remaking – less invasive for the customer
E-Z Open™	Automatically rotates the vanes when the cord is pulled to traverse the blind; not available with cord tension pulley, One Touch®, and center, opposite or uneven stack
Clear Nylon Vane Stems	Nearly invisible, yet extremely strong

General Information

G-98 Ultra-Vue™ Product detail



1. Thin Profile Carrier System

- Narrow carrier width provides reduced vane stack
- Self-aligning carriers for trouble-free operation

2. Color-Coordinated End Caps

- Provide a clean, finished look

3. Vane Weights

- Available on fabric vanes only
- Allow fabric to hang straight

4. Bottom Clip and Chain (Optional for fabric vanes)

- Stabilizes vanes in a moving air environment (i.e. screen door, heat register)

5. Aluminum Headrail

- Will not rust
- Perfect for high-humidity applications

6. Traverse Cord

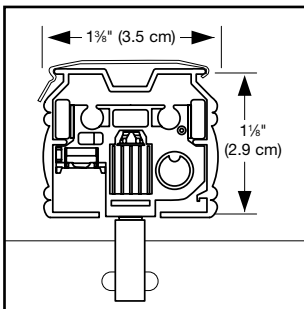
7. Rotation Chain with Tassels

8. Cord Safety Guide

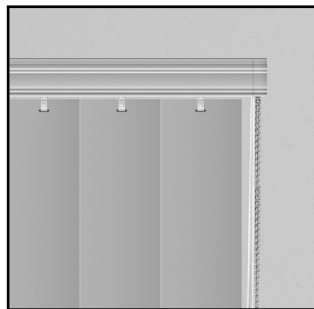
9. Cord Tension Pulley

- Provides added safety and peace of mind

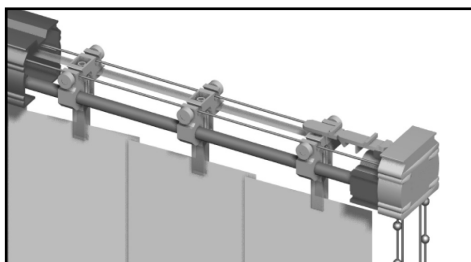
Inside Headrail View



Exterior View



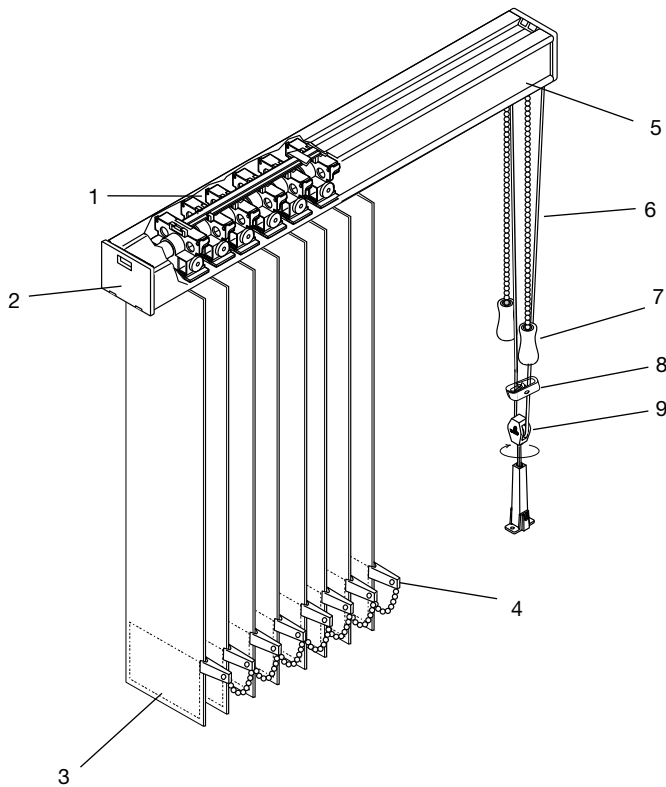
Interior View



Features	Benefits
Heavy-duty Anodized Aluminum Headrail	Will not rust; ideal for high-humidity applications
Thin Profile Carriers	Reduced stack
Self-aligning Carriers	Trouble-free operation
Fully Enclosed Drive and Flush End Caps	Provides a secure fit and clean, finished appearance
Low-friction Wheeled Carriers	Vaness traverse smoothly
Optional One Touch® Control	Safety and convenience
Centrally Located Carrier Stems and Symmetrical Cord and Chain control	Headrail reversible for right or left control installation
Clear Nylon Vane Stems	Nearly invisible, yet extremely strong
Removable Stems	Ability to repair instead of remaking; less invasive for customer

General Information

G-85 Dura-Vue® Product detail



1. Thermolastic Carrier Linkage System

- Provides smooth traversing of vanes

2. Color-Coordinated End Caps

- Provide a clean, finished look

3. Vane Weights

- Available on fabric vanes only
- Allow fabric to hang straight

4. Bottom Clip and Chain (Optional for fabric vanes)

- Stabilizes vanes in a moving air environment (i.e. screen door, heat register)

5. Steel Headrail

6. Traverse Cord

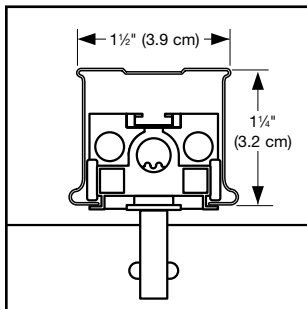
7. Rotation Chain with Tassels

8. Cord Safety Guide

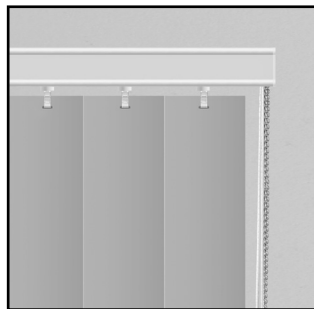
9. Cord Tension Pulley

- Provides added safety and peace of mind

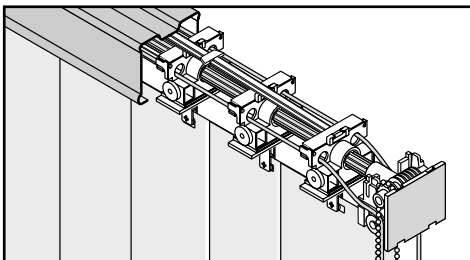
Inside Headrail View



Exterior View



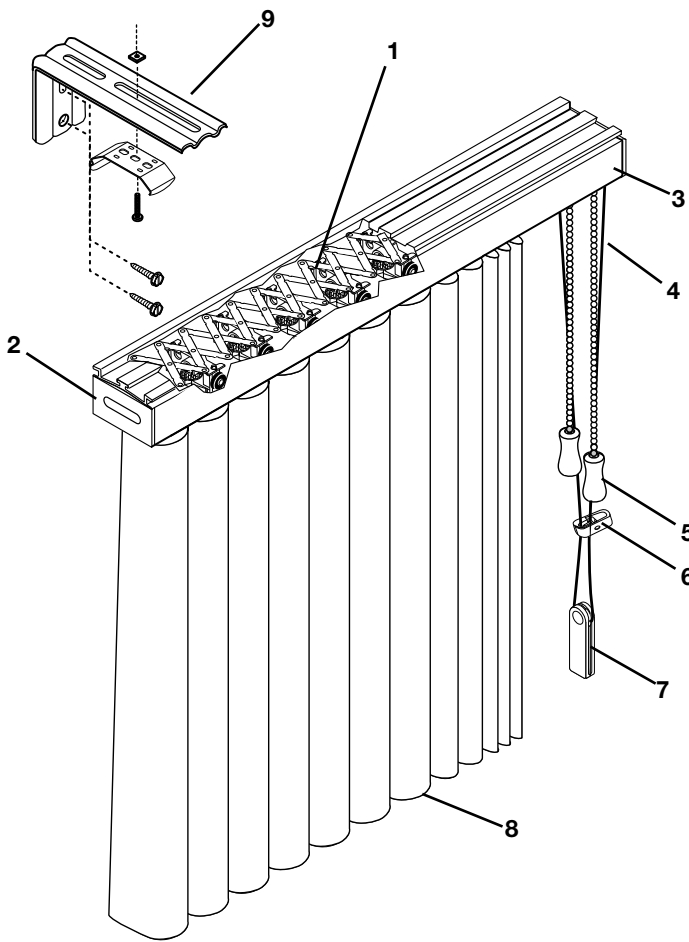
Interior View



Features	Benefits
Steel Headrail with Ivory Finish	Provides strength and durability
Wheeled Carriers	Vaness traverse smoothly and easily
Centrally Located Carrier Stems	Headrail is reversible for right or left control position
Clear Nylon Vane Stems	Nearly invisible, yet extremely strong
Optional Stack and Control Positions	Single stack, split stack, opposite stack are available
Optional One Touch® Control	Safety and convenience
Removable Stems	Ability to repair instead of remaking; less invasive for customer

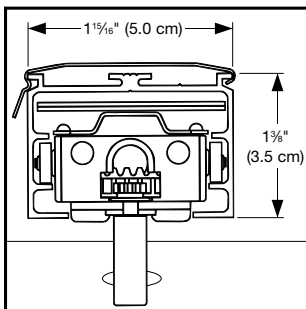
General Information

Sheer Vertical G-71 Super-Vue® Product Detail

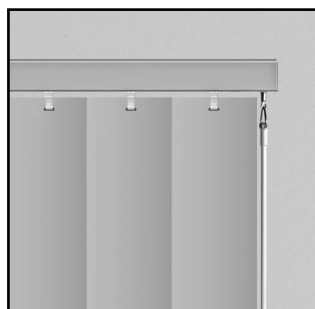


- 1. Zinc Plated Pantograph Traversing System**
 - Vanes traverse smoothly and easily as one for a perfectly synchronized appearance
- 2. Fully Enclosed Drive End and Flush End Caps**
 - Provide a secure fit and clean finish
- 3. Aluminum Headrail**
 - Will not rust
 - Perfect for high humidity applications
- 4. Traverse cord**
- 5. Rotation Chain with Tassels**
- 6. Cord Safety Guide**
- 7. Cord Weight**
- 8. Sheer Fabric**
- 9. Mounting Hardware**

Inside Headrail View



Exterior View



Features	Benefits
Easy install fabric	Install fabric after headrail installation; to clean, no need to take down entire blind
Skirt only option	Change fabric style or color when changing room décor
Washable fabric	Remove fabric from blind to machine wash
Fabric cut yardage	Create a personal look with scarves or valance from same blind material
Color coordinated thread	For finished appearance

NOTE: EZ open feature is not available on Sheer Verticals.

Price Charts: Vertical Blinds

Vinyl Crown: Crown*
Vinyl Embossed: Grotto

Price Group A: G-71 Super-Vue® and G-98 Ultra-Vue™

Height Up To in. (cm) ↓	Width Up To in. (cm) →																Replmt Vanes	
	25 (63.5)	38 (96.6)	50 (127.0)	63 (160.1)	75 (190.5)	85 (215.9)	88 (223.6)	100 (254.0)	113 (287.1)	120 (304.8)	132 (335.3)	144 (365.8)	154 (391.2)	164 (416.6)	174 (442.0)	184 (467.4)		191 (485.2)
48 (122.0)	\$135	166	201	229	264	287	297	336	365	381	420	449	480	511	542	573	604	4
60 (152.4)	143	173	213	242	276	304	313	355	385	404	444	475	507	538	571	603	634	5
72 (182.9)	148	184	226	256	292	317	329	375	409	424	471	503	537	573	608	642	678	6
84 (213.4)	158	195	239	269	307	333	345	393	428	447	495	527	565	602	638	676	713	6
96 (243.9)	164	202	250	284	323	354	363	412	447	471	520	554	593	630	669	707	744	8
108 (274.4)	169	211	262	297	339	369	380	431	470	492	542	580	619	659	698	736	776	8
120 (304.8)	178	223	274	313	358	390	402	457	492	512	569	606	649	692	735	779	822	9
132 (335.3)	185	236	290	329	376	410	423	479	516	541	600	639	686	732	779	825	872	10
144 (365.8)	189	250	304	345	396	430	446	503	542	569	634	673	721	770	818	867	915	11
156 (396.3)	194	263	318	362	414	451	469	526	569	597	667	707	759	810	862	913	965	13
168 (426.8)	197	276	333	379	434	472	492	550	595	624	699	739	794	848	904	958	1013	15
180 (457.2)	201	290	348	393	452	494	510	575	621	652	731	774	831	889	946	1005	1063	16
192 (487.7)	206	303	363	410	472	512	532	597	648	680	763	810	872	933	995	1057	1119	17

Add Surcharge to Blind Price


Square Corner Valance	\$20	31	34	40	43	46	48	54	58	61	67	71	75	80	84	88	92	
Round Corner Valance	22	34	39	46	49	53	54	61	66	70	79	84	89	94	99	104		
Double Round Corner Valance	44	68	78	92	98	106	108	122	132	140	158	168	178	188	198	208		

Price Group A: G-85 Dura-Vue®

Height Up To in. (cm) ↓	Width Up To in. (cm) →																Replmt Vanes
	25 (63.5)	38 (96.6)	50 (127.0)	63 (160.1)	75 (190.5)	85 (215.9)	88 (223.6)	100 (254.0)	113 (287.1)	120 (304.8)	132 (335.3)	144 (365.8)	154 (391.2)	164 (416.6)	174 (442.0)	178¼ (454.1)	
48 (122.0)	\$120	145	169	190	213	229	233	267	287	298	329	348	372	396	419	443	4
60 (152.4)	127	158	181	201	226	245	250	285	311	318	354	375	402	428	456	482	5
72 (182.9)	138	166	196	214	241	262	267	304	330	341	379	403	430	459	486	514	6
84 (213.4)	143	173	207	228	258	276	281	323	351	364	403	428	458	486	515	544	6
96 (243.9)	149	184	217	242	272	296	301	341	370	385	424	453	484	515	546	577	8
108 (274.4)	158	195	229	256	287	312	316	363	390	408	451	477	510	543	576	609	8
120 (304.8)	167	205	245	272	307	333	336	385	413	429	476	505	539	575	610	645	9
132 (335.3)	171	217	261	289	326	355	359	409	441	459	509	541	579	617	655	693	10
144 (365.8)	174	230	274	304	345	375	381	431	470	487	544	577	617	658	698	737	11

Add Surcharge to Blind Price

Square Corner Valance	\$20	31	34	40	43	46	48	54	58	61	67	71	75	80	84	88	
Round Corner Valance	22	34	39	46	49	53	54	61	66	70	79	84	89	94	99	104	
Double Round Corner Valance	44	68	78	92	98	106	108	122	132	140	158	168	178	188	198	208	

 **One Touch® Control** outlined in the chart above. Maximum overall blind size is 10,080 sq. in. (65,032.1 cm²) (w x h). Available at no charge.

Colors

Crown*		Vinyl		Grotto	
Alabaster	9303	Misty Gray	9312	Alabaster	6587
Candelabra	9300	Tan	9308	Ivory	6586
Carob	9317	White	9306	Stormcloud	6584
Ivory	9307			White	6585

*Available in coordinating 2" (5.1 cm) Horizontal Vinyl blinds.

Price Charts: Vertical Blinds

Fabric: Baskerville, Brighton[®], Harmony[®], Sheffield[®]
Vinyl: Homespun II*, Lake Forest[®], Rapture*, Satin Stripe
Vinyl S-Shaped: Linen S*, Quantum S

Price Group C: G-71 Super-Vue [®] and G-98 Ultra-Vue [™]																			
Height Up To in. (cm)	Width Up To in. (cm)																		Replmt Vanes
	25 (63.5)	38 (96.6)	50 (127.0)	63 (160.1)	75 (190.5)	85 (215.9)	88 (223.6)	100 (254.0)	113 (287.1)	120 (304.8)	132 (335.3)	144 (365.8)	154 (391.2)	164 (416.6)	174 (442.0)	184 (467.4)	191 (485.2)		
48 (122.0)	\$179	230	279	306	353	386	399	451	491	513	564	603	645	688	731	774	816	9	
60 (152.4)	190	234	288	324	372	407	420	476	519	544	596	638	682	727	773	818	862	11	
72 (182.9)	198	249	302	343	389	428	443	500	547	571	631	674	719	765	812	858	904	11	
84 (213.4)	210	258	320	361	411	449	463	528	572	600	662	709	758	808	857	906	956	12	
96 (243.9)	218	269	336	380	434	471	487	552	600	631	694	743	795	847	898	949	1002	12	
108 (274.4)	229	284	351	399	453	495	511	582	627	659	726	776	828	882	934	986	1040	14	
120 (304.8)	240	301	371	420	481	523	537	611	659	687	761	814	870	927	982	1039	1094	14	
132 (335.3)	246	320	390	443	508	552	567	642	694	726	806	859	919	978	1038	1097	1156	15	
144 (365.8)	253	337	411	464	534	579	596	674	731	766	849	906	968	1030	1091	1153	1214	16	
156 (396.3)	258	354	434	488	560	607	627	705	768	806	892	952	1016	1080	1145	1208	1272	18	
168 (426.8)	264	375	453	511	588	635	656	736	802	845	936	997	1063	1129	1196	1262	1328	19	
180 (457.2)	268	393	475	532	613	664	685	806	840	883	979	1044	1113	1182	1249	1318	1386	20	
192 (487.7)	275	410	495	555	640	690	714	836	876	923	1022	1090	1161	1232	1303	1373	1444	21	

Add Surcharge to Blind Price																		
Square Corner Valance	\$25	38	42	49	53	58	59	65	73	77	85	91	97	103	109	115	122	
Round Corner Valance	28	42	48	58	61	64	66	77	85	88	98	103	111	119	128	136	144	
Double Round Corner Valance	56	84	96	116	122	128	132	154	170	176	196	206	222	238	256	272	288	

Price Group C: G-85 Dura-Vue [®] Price Chart																			
Height Up To in. (cm)	Width Up To in. (cm)																		Replmt Vanes
	25 (63.5)	38 (96.6)	50 (127.0)	63 (160.1)	75 (190.5)	85 (215.9)	88 (223.6)	100 (254.0)	113 (287.1)	120 (304.8)	132 (335.3)	144 (365.8)	154 (391.2)	164 (416.6)	174 (442.0)	178¼ (454.1)			
48 (122.0)	\$165	202	239	266	305	331	337	384	416	434	476	509	545	581	616	652	9		
60 (152.4)	179	216	258	287	324	351	359	408	446	461	509	544	582	620	658	697	11		
72 (182.9)	187	230	273	302	343	372	380	435	473	491	544	576	616	657	698	738	11		
84 (213.4)	195	240	290	324	363	395	402	460	498	519	574	611	654	698	740	783	12		
96 (243.9)	207	254	305	340	384	416	424	487	524	549	607	646	691	737	782	826	12		
108 (274.4)	225	265	323	359	405	441	449	513	553	579	640	682	730	777	824	871	14		
120 (304.8)	229	284	340	380	432	467	476	546	585	607	674	716	766	818	868	919	14		
132 (335.3)	234	302	361	404	458	495	506	574	622	646	716	763	816	869	922	974	15		
144 (365.8)	239	323	382	425	485	523	535	606	659	687	760	809	863	919	973	1028	16		

Add Surcharge to Blind Price																		
Square Corner Valance	\$25	38	42	49	53	58	59	65	73	77	85	91	97	103	109	115		
Round Corner Valance	28	42	48	58	61	64	66	77	85	88	98	103	111	119	128	136		
Double Round Corner Valance	56	84	96	116	122	128	132	154	170	176	196	206	222	238	256	272		

☐ One Touch[®] Control outlined in the chart above. Maximum overall blind size is 10,080 sq. in. (65,032.1 cm²) (w x h). Available at no charge.

Price Group C: Stay Clear [™] Channel Panel Surcharges																			
Width Up To in. (cm)	Width Up To in. (cm)																		Replmt Vanes
	25 (63.5)	38 (96.6)	50 (127.0)	63 (160.1)	75 (190.5)	85 (215.9)	88 (223.6)	100 (254.0)	113 (287.1)	120 (304.8)	132 (335.3)	144 (365.8)	154 (391.2)	164 (416.6)	174 (442.0)	184 (467.4)	191 (485.2)		
Channel Panel	\$41	67	117	150	167	191	219	233	255	272	305	325	347	368	389	411	433	6	

Colors																		
Vinyl						S-Shaped						Fabric						
Homespun II*			Rapture*			Linen S*			Baskerville			Harmony [®]						
Beach	9113	Bleach	3612	Cafe	6263	Caffeine	0393	Cityscape	0232	Bone	4222	Glacial	0233					
Butterscotch	9112	Heather	3610	Cream	6261	Gouda	0392	Henley	0202	Graham Cracker	4203	Meadow	0207					
Chocolate	9114	Steel	3614	Ebony	6265	Havarti	0390	Pebble	0230	Platinum	4250	Tuscon	0204					
Ivory	9111	Satin Stripe			Granite	6267	Provolute	0391	Tassel	0231	Sugar Maple	4202	Weathered	0206				
Lake Forest ^Δ			Imperial	9489	Lakebed	6266	Brighton [®]				Sheffield [®]							
Cognac	3771	Ivory	9480	Lichen	6262	Bark	4205	Chelsea	0201	Eclipse	0205	Windsor	0203					
Golden Oak	3772	Sand	9481	Snow	6260	Bone	4222	Eclipse	0205	Henley	0202							
Natural	3773	Silversmith	9488	Quantum S				Toast	4282	Weathered	0206							
Wheat	3770	Snow	9485	Chevre	3396	Model	3395	White	4219									
				Shipwreck	3397													

* Available in coordinating 2" (5.1 cm) Horizontal Vinyl blinds.
^Δ Available in coordinating Lake Forest Faux Wood Blinds.
[®] Some selections are available in coordinating LightWeaves[®] Roller, FashionPleat[®] and EvenPleat[®], see page 2 for details.

Price Charts: Vertical Blinds

Fabric: Devon, Grasses, Tahiti Weave, Thatch

Vinyl: Chenille, Parallels, Safari*

Vinyl S-Shaped: Homespun II S

Price Group D: G-71 Super-Vue® and G-98 Ultra-Vue™

Height Up To in. (cm)	Width Up To →																Replmt Vanes	
	25 (63.5)	38 (96.6)	50 (127.0)	63 (160.1)	75 (190.5)	85 (215.9)	88 (223.6)	100 (254.0)	113 (287.1)	120 (304.8)	132 (335.3)	144 (365.8)	154 (391.2)	164 (416.6)	174 (442.0)	184 (467.4)		191 (485.2)
48 (122.0)	\$211	261	319	366	420	460	472	536	584	610	672	717	767	817	867	917	966	11
60 (152.4)	224	281	341	385	441	484	500	567	615	643	711	758	812	864	918	970	1024	13
72 (182.9)	238	293	361	409	462	508	524	597	650	677	752	802	858	915	970	1027	1084	13
84 (213.4)	248	307	380	431	489	531	550	627	682	712	788	843	900	959	1018	1075	1134	13
96 (243.9)	261	323	398	451	516	561	579	658	715	747	826	884	945	1004	1065	1126	1187	16
108 (274.4)	270	338	417	472	539	590	605	690	746	783	865	924	989	1054	1119	1182	1247	16
120 (304.8)	286	356	440	500	571	625	638	727	783	818	906	966	1033	1100	1167	1234	1301	17
132 (335.3)	293	382	471	531	604	661	675	768	830	870	965	1032	1103	1174	1245	1316	1387	18
144 (365.8)	302	408	500	562	638	696	711	808	880	922	1025	1096	1171	1246	1321	1398	1473	19
156 (396.3)	308	433	530	593	672	732	748	849	928	974	1086	1161	1240	1319	1400	1479	1558	20
168 (426.8)	316	457	560	625	705	768	785	890	977	1024	1144	1225	1308	1392	1476	1559	1643	21
180 (457.2)	322	483	590	656	737	804	822	929	1027	1075	1204	1289	1377	1465	1553	1641	1729	22
192 (487.7)	329	508	620	687	770	839	859	970	1075	1128	1264	1353	1446	1539	1630	1723	1815	23

Add Surcharge to Blind Price

Square Corner Valance	\$27	41	49	56	59	63	64	74	84	86	95	103	110	117	124	132	139	
Round Corner Valance	32	49	56	63	68	73	79	88	94	98	110	117	125	134	142	150	158	
Double Round Corner Valance	64	98	112	126	136	146	158	176	188	196	220	234	250	268	284	300	316	

Price Group D: G-85 Dura-Vue®

Height Up To in. (cm)	Width Up To →																Replmt Vanes
	25 (63.5)	38 (96.6)	50 (127.0)	63 (160.1)	75 (190.5)	85 (215.9)	88 (223.6)	100 (254.0)	113 (287.1)	120 (304.8)	132 (335.3)	144 (365.8)	154 (391.2)	164 (416.6)	174 (442.0)	178% (454.1)	
48 (122.0)	\$198	244	292	331	379	411	419	478	518	541	593	633	679	723	768	812	11
60 (152.4)	212	264	313	347	398	436	446	509	550	574	633	675	722	769	816	863	13
72 (182.9)	223	276	333	371	419	459	472	535	583	606	674	717	767	817	867	916	13
84 (213.4)	235	287	349	393	446	485	495	568	615	640	708	758	810	864	916	970	13
96 (243.9)	247	303	370	415	470	511	521	597	648	677	744	797	852	907	963	1017	16
108 (274.4)	255	318	386	436	494	540	549	627	678	708	787	837	896	954	1012	1071	16
120 (304.8)	271	337	411	462	523	573	582	664	714	743	826	878	939	1001	1063	1123	17
132 (335.3)	277	362	440	492	557	608	618	703	763	795	885	941	1007	1073	1138	1204	18
144 (365.8)	285	386	470	521	589	643	654	743	810	845	942	1004	1074	1143	1213	1283	19

Add Surcharge to Blind Price

Square Corner Valance	\$27	41	49	56	59	63	64	74	84	86	95	103	110	117	124	132	
Round Corner Valance	32	49	56	63	68	73	79	88	94	98	110	117	125	134	142	150	
Double Round Corner Valance	64	98	112	126	136	146	158	176	188	196	220	234	250	268	284	300	

One Touch® Control outlined in the chart above. Maximum overall blind size is 10,080 sq. in. (65,032.1 cm²) (w x h). Available at no charge.

Price Group D: Stay Clear™ Channel Panel Surcharges

Width Up To in. (cm)	25 (63.5)	38 (96.6)	50 (127.0)	63 (160.1)	75 (190.5)	85 (215.9)	88 (223.6)	100 (254.0)	113 (287.1)	120 (304.8)	132 (335.3)	144 (365.8)	154 (391.2)	164 (416.6)	174 (442.0)	184 (467.4)	191 (485.2)	Replmt Vanes
Channel Panel	\$41	67	117	150	167	191	219	233	255	272	305	325	347	368	389	411	433	6

Colors

Vinyl

Chenille	Safari*
Aluminum 6801	Buffalo 3640
Chantarelle 6802	Hearthstone 3648
Cream 6791	Moccasin 3643
Filigree 6799	Quarry 3647
Off White 6790	Stormy Sage 3646
Syrah 6800	
Parallels	
Amaretto 6952	
Mesa 6950	
Spice 6951	
Waterloo 6953	

S-Shaped

Homespun II S
Beach 9683
Butterscotch 9682
Chocolate 9684
Ivory 9681

Fabric

Devon	Tahiti Weave
Abbot 0032	Autumn 0455
Newton 0033	Basket Weave 0453
Plymouth 0030	Bourbon 0451
Torbay 0031	Hudson 0450
	Tortoise Shell 0454
Grasses	
Chestnut 1713	
Hardwood 1712	Thatch
Maple 1710	Coffee 1565
Twig 1711	Natural 1560
	Toffee 1563

*Available in coordinating 2" (5.1 cm) Horizontal Vinyl blinds.

Price Charts: Vertical Blinds

Fabric: Allure[®], Royale[®], Strings, Tuvalu[®], Urban Loft

Vinyl: Acropolis, Coronation^{*}, Kensington^{*}

Vinyl S-Shaped: Georgetown S^{*}

Price Group E: G-71 Super-Vue [®] and G-98 Ultra-Vue [™]																		
Height Up To in. (cm)	Width Up To in. (cm) →																	Replmt Vanes
	25 (63.5)	38 (96.6)	50 (127.0)	63 (160.1)	75 (190.5)	85 (215.9)	88 (223.6)	100 (254.0)	113 (287.1)	120 (304.8)	132 (335.3)	144 (365.8)	154 (391.2)	164 (416.6)	174 (442.0)	184 (467.4)	191 (485.2)	
48 (122.0)	\$234	288	353	405	465	510	522	593	646	675	743	793	849	904	960	1015	1069	13
60 (152.4)	247	311	377	426	488	536	553	627	681	711	787	839	898	956	1016	1074	1133	15
72 (182.9)	263	324	399	453	512	562	580	661	719	749	832	888	950	1012	1074	1137	1199	19
84 (213.4)	275	340	421	477	542	588	609	694	755	788	872	933	996	1061	1126	1190	1255	19
96 (243.9)	288	358	440	499	571	621	641	728	791	827	914	978	1045	1112	1179	1246	1313	24
108 (274.4)	299	374	462	522	596	653	669	764	825	866	958	1023	1094	1166	1238	1309	1381	26
120 (304.8)	317	394	487	553	632	692	706	805	866	905	1003	1069	1143	1218	1292	1366	1440	27
132 (335.3)	324	423	521	588	668	732	747	850	919	963	1068	1142	1221	1300	1378	1457	1536	28
144 (365.8)	334	451	553	622	706	771	787	894	974	1020	1134	1213	1296	1379	1463	1547	1630	29
156 (396.3)	341	479	587	657	743	811	828	939	1027	1078	1202	1285	1373	1460	1549	1637	1725	30
168 (426.8)	350	506	620	692	780	850	869	985	1082	1133	1267	1355	1448	1540	1634	1726	1818	31
180 (457.2)	357	535	653	726	816	890	910	1028	1137	1190	1333	1426	1524	1621	1719	1816	1914	32
192 (487.7)	364	562	686	760	853	929	951	1074	1190	1248	1399	1498	1601	1703	1805	1907	2009	33
Add Surcharge to Blind Price																		
Square Corner Valance	\$30	46	55	63	66	72	76	82	92	96	108	113	122	130	138	146	155	
Round Corner Valance	34	53	63	72	76	82	85	96	107	109	124	132	141	150	160	169	178	
Double Round Corner Valance	68	106	126	144	152	164	170	192	214	218	248	264	282	300	320	338	356	

Price Group E: G-85 Dura-Vue [®]																		
Height Up To in. (cm)	Width Up To in. (cm) →																	Replmt Vanes
	25 (63.5)	38 (96.6)	50 (127.0)	63 (160.1)	75 (190.5)	85 (215.9)	88 (223.6)	100 (254.0)	113 (287.1)	120 (304.8)	132 (335.3)	144 (365.8)	154 (391.2)	164 (416.6)	174 (442.0)	178% (454.1)		
48 (122.0)	\$218	269	321	364	416	452	461	525	569	595	652	696	746	795	844	892	13	
60 (152.4)	233	290	344	382	437	480	491	559	605	630	696	741	794	845	897	948	15	
72 (182.9)	245	303	366	407	461	504	518	588	640	666	740	788	842	898	952	1007	19	
84 (213.4)	259	315	384	432	491	533	544	624	676	704	778	833	890	949	1007	1066	19	
96 (243.9)	272	333	406	456	516	562	573	656	713	744	818	876	937	997	1058	1118	24	
108 (274.4)	280	350	424	480	543	594	604	689	745	778	865	920	985	1049	1112	1177	26	
120 (304.8)	297	371	452	507	575	629	639	729	785	817	908	965	1032	1100	1168	1234	27	
132 (335.3)	304	397	484	541	612	668	679	773	838	874	972	1035	1107	1179	1251	1323	28	
144 (365.8)	313	424	516	573	647	707	719	817	890	929	1036	1103	1180	1257	1333	1410	29	
Add Surcharge to Blind Price																		
Square Corner Valance	\$30	46	55	63	66	72	76	82	92	96	108	113	122	130	138	146		
Round Corner Valance	34	53	63	72	76	82	85	96	107	109	124	132	141	150	160	169		
Double Round Corner Valance	68	106	126	144	152	164	170	192	214	218	248	264	282	300	320	338		

One Touch[®] Control outlined in the chart above. Maximum overall blind size is 10,080 sq. in. (65,032.1 cm²) (w x h). Available at no charge.

Price Group E: Stay Clear [™] Channel Panel Surcharges																		
Width Up To in. (cm)	Width Up To in. (cm) →																	Replmt Vanes
	25 (63.5)	38 (96.6)	50 (127.0)	63 (160.1)	75 (190.5)	85 (215.9)	88 (223.6)	100 (254.0)	113 (287.1)	120 (304.8)	132 (335.3)	144 (365.8)	154 (391.2)	164 (416.6)	174 (442.0)	184 (467.4)	191 (485.2)	
Channel Panel	\$41	67	117	150	167	191	219	233	255	272	305	325	347	368	389	411	433	6

Colors																	
Vinyl						S-Shaped						Fabric					
Acropolis			Kensington [*]			Georgetown S [*]			Allure [®]			Strings					
Laurel Wreath	3134		Bellhop	3255		Capitol Hill	6698		Fog	0511		Delicate	4750				
Olive Oil	3132		Fresh Linens	3250		Flax	6697		Glimmer	0512		Parfait	4751				
Olympus	3130		Passport	3252		National Mall	6699		Latte	0513		Urban Mist	4753				
Parthenon	3133		Room Key	3253		Smithsonian	6700		Still Water	0514		Winsome	4752				
Poseidon	3131		Titanium	3254		Tawny	6693		Titanium	0510							
						White	6691										
Coronation [*]									Royale [®]			Tuvalu [®]					
Decree	3751								Granite	0431		Cream Caramel	0440				
Princess	3750								Ivory	0430		Cream Silk	0441				
Proclamation	3752								Rapture	0434		French Silk	0442				
Royal Coach	3753								Saddle	0433							
Sceptre	3754								Storm	0432							
												Urban Loft					
												Ductwork	0380				
												Exposed Brick	0382				
												Rooftop	0383				
												Skyline	0381				

* Available in coordinating 2" (5.1 cm) Horizontal Vinyl blinds.
 o Some selections are available in coordinating LightWeaves[®] Roller, FashionPleat[®] and EvenPleat[®], see page 2 for details.

Price Charts: Vertical Blinds

Fabric: Compass, Crossweave[®], Network, Prescott

Price Group F: G-71 Super-Vue[®] and G-98 Ultra-Vue[™]

Height Up To in. (cm)	Width Up To in. (cm) →																	Replmt Vanes
	25 (63.5)	38 (96.6)	50 (127.0)	63 (160.1)	75 (190.5)	85 (215.9)	88 (223.6)	100 (254.0)	113 (287.1)	120 (304.8)	132 (335.3)	144 (365.8)	154 (391.2)	164 (416.6)	174 (442.0)	184 (467.4)	191 (485.2)	
48 (122.0)	\$262	327	397	457	522	572	587	667	728	757	837	892	954	1016	1076	1138	1200	18
60 (152.4)	280	350	425	476	550	603	622	706	766	800	884	942	1008	1073	1139	1205	1271	20
72 (182.9)	295	365	447	507	577	632	651	741	808	843	936	998	1067	1136	1205	1274	1343	22
84 (213.4)	310	382	471	536	609	663	682	781	848	887	982	1049	1121	1193	1265	1337	1409	23
96 (243.9)	327	402	495	561	641	697	720	818	890	930	1027	1098	1174	1250	1328	1404	1480	29
108 (274.4)	337	419	519	587	671	735	753	858	927	973	1076	1152	1232	1312	1393	1474	1554	31
120 (304.8)	356	445	547	622	710	778	793	906	973	1019	1128	1202	1285	1370	1453	1537	1621	34
132 (335.3)	366	475	585	661	751	822	842	957	1032	1083	1202	1283	1373	1462	1551	1640	1729	35
144 (365.8)	376	507	621	699	792	868	888	1008	1093	1145	1277	1365	1458	1553	1648	1742	1836	36
156 (396.3)	384	537	658	737	833	913	936	1059	1154	1208	1352	1447	1548	1649	1749	1850	1951	37
168 (426.8)	392	570	693	778	876	958	984	1110	1212	1273	1428	1529	1635	1741	1847	1953	2059	38
180 (457.2)	401	600	730	817	917	1002	1031	1162	1273	1338	1502	1610	1721	1832	1944	2055	2166	39
192 (487.7)	410	631	766	855	958	1049	1077	1212	1334	1402	1579	1690	1807	1923	2040	2157	2273	43
Add Surcharge to Blind Price																		
Square Corner Valance	\$38	58	68	80	82	90	92	104	114	116	134	141	150	160	169	178	187	
Round Corner Valance	42	65	80	90	95	104	106	116	133	136	152	164	175	186	198	209	220	
Double Round Corner Valance	84	130	160	180	190	208	212	232	266	272	304	328	350	372	396	418	440	

Price Group F: G-85 Dura-Vue[®]

Height Up To in. (cm)	Width Up To in. (cm) →																Replmt Vanes	
	25 (63.5)	38 (96.6)	50 (127.0)	63 (160.1)	75 (190.5)	85 (215.9)	88 (223.6)	100 (254.0)	113 (287.1)	120 (304.8)	132 (335.3)	144 (365.8)	154 (391.2)	164 (416.6)	174 (442.0)	178¼ (454.1)		
48 (122.0)	\$246	305	365	411	471	511	522	594	645	673	738	790	845	902	958	1014	18	
60 (152.4)	264	326	389	432	495	542	556	632	684	715	790	839	898	956	1014	1073	20	
72 (182.9)	279	343	413	462	522	571	586	667	725	755	836	892	952	1014	1076	1137	22	
84 (213.4)	292	358	436	487	556	602	617	707	766	798	882	942	1008	1074	1139	1205	23	
96 (243.9)	307	377	460	517	585	634	650	742	806	841	929	993	1062	1130	1199	1268	29	
108 (274.4)	318	396	481	542	616	672	683	782	842	882	978	1041	1113	1185	1256	1328	31	
120 (304.8)	337	420	511	574	651	714	724	826	890	927	1027	1093	1170	1246	1323	1400	34	
132 (335.3)	345	451	547	612	693	758	770	877	947	990	1101	1174	1255	1338	1420	1502	35	
144 (365.8)	354	482	584	650	732	802	818	927	1006	1051	1175	1251	1339	1426	1514	1601	36	
Add Surcharge to Blind Price																		
Square Corner Valance	\$38	58	68	80	82	90	92	104	114	116	134	141	150	160	169	178		
Round Corner Valance	42	65	80	90	95	104	106	116	133	136	152	164	175	186	198	209		
Double Round Corner Valance	84	130	160	180	190	208	212	232	266	272	304	328	350	372	396	418		

☐ One Touch[®] Control outlined in the chart above. Maximum overall blind size is 10,080 sq. in. (65,032.1 cm²) (w x h). Available at no charge.

Price Group F: Stay Clear[™] Channel Panel Surcharges

Width Up To in. (cm)	25 (63.5)	38 (96.6)	50 (127.0)	63 (160.1)	75 (190.5)	85 (215.9)	88 (223.6)	100 (254.0)	113 (287.1)	120 (304.8)	132 (335.3)	144 (365.8)	154 (391.2)	164 (416.6)	174 (442.0)	184 (467.4)	191 (485.2)	Replmt Vanes
Channel Panel	\$41	67	117	150	167	191	219	233	255	272	305	325	347	368	389	411	433	6

Colors

Fabric			
Compass	Crossweave [®]	Network	Prescott
Due North 0072	Beechwood 2510	Medallion 0372	Dune 0172
South Seas 0071	Brick 2504	Quicksilver 0371	Fossil 0171
True West 0070	Tahiti 2512	Seashell 0370	Mirage 0170
	Thatched Roof 2513		

⊕ Some selections are available in coordinating LightWeaves[®] Roller, FashionPleat[®] and EvenPleat[®], see page 2 for details.

Price Charts: Sheer Verticals

Sheer: Gossamer[§], Highlight[§]

Price Group G

Height Up To in. (cm) ↓	Width Up To in. (cm) →													Replmt Vanes
	25 (63.5)	38 (96.6)	51 (129.6)	63 (160.1)	76 (193.1)	85 (215.9)	88 (223.6)	101 (256.6)	120 (304.8)	144 (365.8)	170 (431.8)	178 (452.2)	191 (485.2)	
48 (122.0)	\$827	1010	1233	1466	1646	1899	1930	2148	2389	2715	3554	3758	4030	2
60 (152.4)	899	1220	1382	1561	1775	1930	1966	2176	2562	3066	3686	3895	4160	5
72 (182.9)	945	1233	1398	1575	1796	1946	2032	2278	2641	3150	3718	3927	4197	5
84 (213.4)	960	1252	1419	1598	1812	1966	2048	2300	2692	3363	3751	3964	4240	5
96 (243.9)	969	1275	1440	1621	1835	1988	2070	2321	2760	3417	3787	3998	4273	5
104 (264.2)	984	1280	1454	1638	1853	2006	2088	2334	2828	3472	3814	4028	4300	7

Add Surcharge to Blind Price

Round Corner Valance	\$46	72	88	99	105	114	117	128	150	180	218	230	242
Double Round Corner Valance	92	144	176	198	210	228	234	256	300	360	436	460	484

NOTE: Dauphine[®] valance is available at no charge.

Colors

Sheer

Gossamer[§]

Champagne.....	1720
Parchment.....	1722
Snowstone.....	1724
White.....	1725

Highlight[§]

Champagne.....	1740
Snowstone.....	1742
White.....	1741

Sheer: Bengali[§], Cascade[§], Dijon

Price Group H

Height Up To in. (cm) ↓	Width Up To in. (cm) →													Replmt Vanes
	25 (63.5)	38 (96.6)	51 (129.6)	63 (160.1)	76 (193.1)	85 (215.9)	88 (223.6)	101 (256.6)	120 (304.8)	144 (365.8)	170 (431.8)	178 (452.2)	191 (485.2)	
48 (122.0)	\$946	1151	1407	1674	1877	2165	2201	2447	2724	3090	4052	4284	4591	2
60 (152.4)	1027	1394	1580	1778	2025	2201	2237	2480	2920	3494	4205	4442	4741	5
72 (182.9)	1080	1410	1597	1796	2046	2220	2316	2597	3015	3590	4242	4478	4788	5
84 (213.4)	1097	1433	1620	1824	2069	2237	2336	2622	3071	3838	4277	4519	4834	5
96 (243.9)	1108	1457	1643	1846	2094	2271	2360	2647	3149	3897	4318	4561	4875	5
104 (264.2)	1129	1463	1662	1872	2115	2289	2382	2664	3230	3963	4346	4593	4904	7

Add Surcharge to Blind Price

Round Corner Valance	\$48	76	92	104	110	120	123	134	158	189	229	242	254
Double Round Corner Valance	96	152	184	208	220	240	246	268	316	378	458	484	508

NOTE: Dauphine[®] valance is available at no charge.

Colors

Sheer

Bengali[§]

Jute.....	2760
-----------	------

Cascade[§]

Champagne.....	2080
----------------	------

Dijon

Downey.....	2221
Extra White.....	2220
Stucco.....	2222

§ Available in coordinating Graber[®] Artisan.

Options Pricing

Options Pricing	
Option	Surcharge
Vertical Blinds	
Angled Window Blind	Price from G-71 charts using angle width and longest height, and add \$420
Angled Window Headrail	Price from G-71 charts using angle width, and add \$420
Bay and Corner Window	No Charge
Bottom Chain & Clips (fabric)	\$45
Bottom Chain (vinyl)	\$45
Curved Blind	Price from G-71 charts; use a flexible ruler to measure curve width and height and add surcharge from page 35.
Curved Headrail	Price as G-71 headrail; use a flexible ruler to measure curve width and add surcharge from page 35.
Cut-Outs	\$67
Double Round-corner Valance	See Price Charts for surcharge
Headrail Pricing	See Price Charts on next page
One Touch® Control	No Charge
Paired Blinds	Price as two blinds and add together. No surcharge.
Projection Brackets: 4 $\frac{3}{8}$ " (11.2 cm)	No Charge
Round-corner Valance	See Price Charts for surcharge.
Square-corner Valance	See Price Charts for surcharge.
Stacking Options	Center/Uneven Stack: \$42 per blind; Opposite Stack: \$42 per blind
Stay Clear™ Channel Panels	See Price Charts for surcharge.
Vane Replacements	See Price Charts
Wood Cornices and Valances	See Cornice and Valances Price List for pricing information.
Sheer Vertical Blinds	
Bay and Corner Window	No Charge
Cut Yardage	Batiste, Voile: \$50 per yard Dijon, Florence: \$100 per yard
Dauphine® Valance	No Charge
Double Round-corner Valance	See Price Charts for surcharge
Paired Blinds	Price as two separate blinds and add together
Round-corner Valance	See Price Charts for surcharge
Vane Replacement	See Price Charts
Wood Cornices and Valances	See Cornice and Valance Price List for pricing information

Options Pricing

Vertical Blinds: Headrail Pricing

Width Up To in. (cm) →	25 (63.5)	38 (96.6)	50 (127.0)	63 (160.1)	75 (190.5)	85 (215.9)	88 (223.6)	100 (254.0)	113 (287.1)	120 (304.8)	132 (335.3)	144 (365.8)	158 (401.4)	170 (431.8)	177 (449.6)	191 (485.2)
3½" (8.9 cm) Spacing for G-71 Super-Vue® and G-98 Ultra-Vue™ (Headrail Only, No Vanes)																
G-71 and G-98 Headrail	\$71	109	144	182	215	246	254	289	324	348	381	414	450	488	503	549
3½" (8.9 cm) Spacing for G-85 Dura-Vue® (Headrail Only, No Vanes)																
G-85 Headrail	\$60	93	118	147	172	195	199	228	257	277	302	330	354	386	396	

NOTE: Valance not included with replacement headrail. Must be ordered separately. See individual price chart for ordering.
Replacement headrails include installation hardware.

*Dura-Vue Maximum size 178¾" (454.1 cm)

Vertical Blinds: Curved Headrail Surcharge

Width Up To in. (cm) →	63 (160.1)	75 (190.5)	85 (215.9)	88 (223.6)	100 (254.0)	113 (287.1)	120 (304.8)	132 (335.3)	144 (365.8)	158 (401.4)	168 (426.8)
Surcharge	\$256	301	337	349	394	440	465	508	557	599	644

To determine price: price as a G-71 headrail.

Sheer Vertical Blinds: Replacement Headrail Pricing

Width Up To in. (cm) →	25 (63.5)	38 (96.6)	51 (129.6)	63 (160.1)	76 (193.1)	85 (215.9)	88 (223.6)	101 (256.6)	120 (304.8)	144 (365.8)	170 (431.8)	178 (452.2)	191 (485.2)
Headrail	\$93	142	190	237	283	315	329	376	448	539	636	659	713

Sheer Vertical Blinds: Replacement Fabric Pricing

Width Up To in. (cm) →	25 (63.5)	38 (96.6)	51 (129.6)	63 (160.1)	76 (193.1)	85 (215.9)	88 (223.6)	101 (256.6)	120 (304.8)	144 (365.8)	170 (431.8)	178 (452.2)	191 (485.2)
Group G	\$697	1059	1134	1364	1509	1565	1655	1856	2186	2592	3059	3201	3439
Group H	805	1226	1322	1585	1781	1838	1949	2188	2583	3067	3619	3786	4067

Sheer Vertical Blinds: Replacement Valance Fabric Only Pricing

Width Up To in. (cm) →	25 (63.5)	38 (96.6)	51 (129.6)	63 (160.1)	76 (193.1)	85 (215.9)	88 (223.6)	101 (256.6)	120 (304.8)	144 (365.8)	170 (431.8)	178 (452.2)	191 (485.2)
Valance Fabric Only	\$16	22	35	44	49	56	58	66	82	96	115	118	125

Replacement Dauphine Valance with Shirred Fabric Pricing

Width Up To in. (cm) →	25 (63.5)	38 (96.6)	51 (129.6)	63 (160.1)	76 (193.1)	85 (215.9)	88 (223.6)	101 (256.6)	120 (304.8)	144 (365.8)	170 (431.8)	178 (431.8)	191 (485.2)
Group G	\$84	124	166	210	254	294	299	352	404	497	587	616	658
Group H	96	143	191	232	276	309	323	366	436	525	624	648	699

Replacement Round-corner Pricing

Width Up To in. (cm) →	25 (63.5)	38 (96.6)	51 (129.6)	63 (160.1)	76 (193.1)	85 (215.9)	88 (223.6)	101 (256.6)	120 (304.8)	144 (365.8)	170 (431.8)	178 (431.8)	191 (485.2)
Group G	\$46	72	88	99	105	114	117	128	150	180	218	230	242
Group H	48	76	92	104	110	120	123	134	158	189	229	242	254

Replacement Double Round-corner Valance Pricing

Width Up To in. (cm) →	25 (63.5)	38 (96.6)	51 (129.6)	63 (160.1)	76 (193.1)	85 (215.9)	88 (223.6)	101 (256.6)	120 (304.8)	144 (365.8)	170 (431.8)	178 (431.8)	191 (485.2)
Group G	\$92	144	176	198	210	228	234	256	300	360	436	460	484
Group H	96	152	184	208	220	240	246	268	316	378	458	484	508



Graber is a brand of Springs Window Fashions, the Best Experience Company 

Graber and the Graber logo are registered trademarks of Springs Window Fashions, LLC.

19-0413-08 (10/15) 653|S151086