

# 2" (5.1 CM) HORIZONTAL VINYL BLINDS

## Table of Contents

<b>Blind Features and Size Considerations</b>	
Summary .....	2
Slat Styles and Information: 2" (5.1 cm) Horizontal Vinyl Blinds .....	2
Size Considerations .....	2
Depth Requirements for Inside Mount. ....	2
<b>Blind Options</b>	
Blind Options .....	3
Control Types .....	4
Motorization .....	4
Multiple Blinds on One Headrail .....	5
Cloth Tapes .....	6
Cut-Out Blinds .....	6
NoHoles™ Option .....	6
Control Length Chart for Cords and Wands .....	6
Bay and Corner Windows .....	7
Valance Styles .....	8
How to Measure and Order Valances .....	8
How to Order Valance Returns .....	8
<b>General Information</b>	
Slat Count Table .....	9
Ladder Count Table .....	9
Product Detail .....	10
<b>Price Charts and Options Pricing</b>	
Price Group A: 2" (5.1 cm) Vinyl – Crown .....	11
Price Group B: 2" (5.1 cm) Vinyl – Cachet, Fiber, Linen, Quantum, Rapture .....	12
Price Group C: 2" (5.1 cm) Vinyl – Coronation, Georgetown, Homespun II, Kensington, Safari .....	13
Valance Replacement Pricing .....	14
Options Pricing .....	14



# Blind Features and Size Considerations

- SureClose® headrail 1 $\frac{5}{8}$ " (4.2 cm) x 2 $\frac{1}{4}$ " (5.8 cm) with premium lightblocking features
- Non-lead vinyl slats offer superior privacy and room darkening
- Neutral streetside appearance
- White vinyl bottomrail
- Color-coordinated components
- All styles coordinate with Graber® Vinyl Vertical blinds
- Cord tilt standard, wand tilt optional
- 2" (5.1 cm) single slat valance standard (other options available)
- Decorative cloth tapes or NoHoles™ available
- Limited lifetime warranty on headrail and components; three year warranty on slats



## Slat Styles and information: 2" (5.1 cm) Horizontal Vinyl Blinds

Collection Name	Price Chart	Coordinates With Vertical	Neutral To Streetside	Light Control	Flame Retardant NFPA 701
Cachet	B	✓	✓	Room Darkening	Yes
Coronation	C	✓	✓	Room Darkening	Yes
Crown	A	✓	✓	Room Darkening	Yes
Fiber	B	✓	✓	Room Darkening	Yes
Georgetown	C	✓	✓	Room Darkening	Yes
Homespun II	C	✓	✓	Room Darkening	Yes
Kensington	C	✓	✓	Room Darkening	Yes
Linen	B	✓	✓	Room Darkening	Yes
Quantum	B	✓	✓	Room Darkening	Yes
Rapture	B	✓	✓	Room Darkening	Yes
Safari	C	✓	✓	Room Darkening	Yes

## Size Considerations

<b>Minimum blind width:</b>	9" (22.9 cm) outside mount 9 $\frac{1}{2}$ " (24.2 cm) inside mount
<b>Minimum blind width (Exceptions):</b>	9" (22.9 cm) to 11 $\frac{15}{16}$ " (30.4 cm) are center tilt only 12" (30.5 cm) to 16" (40.7 cm) standard or reverse standard controls only 16 $\frac{1}{16}$ " (40.8 cm) minimum for same side controls
<b>Maximum Single Blind Width:</b>	84" (213.4 cm)
<b>Maximum Width (Multiple Blinds on One Headrail):</b>	120" (304.8 cm)
<b>Minimum Blind Height:</b>	10" (25.4 cm)
<b>Maximum Blind Height:</b>	108" (274.4 cm)

## Depth Requirements for Inside Mount

Headrail Dimensions	Minimum Depth Mount	Flush with Casing
1 $\frac{5}{8}$ " (4.2 cm) x 2 $\frac{1}{4}$ " (5.8 cm)	 <p>Partially recessed headrail in window casing/molding</p> <p>3/4" (2.0 cm)</p>	 <p>Fully recessed headrail in window casing/molding</p> <p>Without valance: 2<math>\frac{5}{8}</math>" (6.7 cm) With standard valance: 3<math>\frac{5}{16}</math>" (8.5 cm) With double valance: 4" (10.2 cm)</p>

# Blind Options

## Blind Options — For Surcharges and Pricing Refer to Pricing Section

The following is a list of options for 2" (5.1 cm) Horizontal Vinyl Blinds. All options are available in all styles and colors. See detailed descriptions on the following pages.

### Control Type Options:

(see Price Charts for pricing and/or surcharges)

- Cord Tilt - No charge
- Ring Tilt and Ring Lift - No charge
- Motorized Tilt - Surcharge
- Wand Tilt - No charge

### Blind Options – No Charge

- Bay or Corner Window
- Standard Clear Cord Cleats
- Controls:
  - Standard Control Location (Tilt Left, Lift Right)
  - Same Side Control Location (Tilt Right, Lift Right or Tilt Left, Lift Left)
  - Reverse Control Location (Tilt Right, Lift Left)
- Hold-down Brackets
- Projection Brackets:
  - 2¾" (7.0 cm)
  - 4¾" (12.1 cm)
- Shims
- Special Control Length

### Blind Options – Surcharge

(see Price Charts for pricing and/or surcharges)

- Cloth Tapes:
  - 1" (2.6 cm)
  - 1½" (3.9 cm)
- Cut-outs
- Double Valance
- Multiple Blinds on One Headrail less than 84" (213.4 cm)
- Sky Pole:
  - 3 ft.–6½ ft. (91.5 cm - 184.2 cm)
  - 5 ft.–9½ ft. (152.4 cm - 275.6 cm)
- Wood Cornice (**See Cornice and Valance Tab**)
- Decorative Cord Cleats
- NoHoles™

# Blind Options

## Control Options



### Cord Tilt

- No charge
- Standard



### Wand Tilt

- No charge
- Optional



### Ring Tilt

- No charge
- Optional
- Sky Pole available for a surcharge for operation of the Ring Tilt



Sky Pole

## Motorized Tilt Control



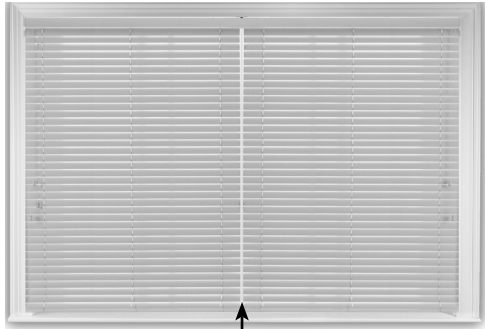
### Refer to Motorization Product Information Guide for additional options, sizing and pricing

- Motorization tilt only; raising or lowering the blind is manual with cord lift
- Blinds can be operated from virtually anywhere in the home
- Provides easy operation of hard to reach or larger window coverings
- Efficiently manages energy (heat gain and loss)
- Tilt slats in groups of multiple window treatments simultaneously or individually
- Easily integrated with home automation systems
- Low voltage motorization requires no costly electrical hard-wiring
- Powered with Batteries, Solar Power Kit, or Plug Transformer
- Motor located on the left side within the headrail; cord lift is on the right side
- Multiple Blinds on One Headrail available; one motor and power source will operate all panels
- Not available with Special Shapes
- Not available with Hold-down Brackets

Minimum Width	19" (48.3 cm)
Maximum Width	84" (213.4 cm)
Maximum Height	108" (274.4 cm)
Maximum Size	7,200 sq. in. (4.6 m <sup>2</sup> )

# Blind Options

## Multiple Blinds On One Headrail



1/4" (0.7 cm) Gap

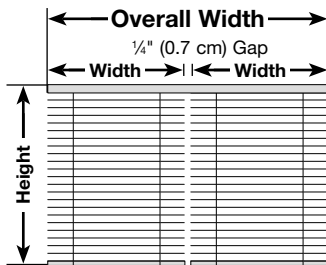
- **Surcharge:** Blind less than or equal to 84" (213.4 cm):  
Two blinds on one headrail; Three blinds on one headrail  
**See Price Charts and Options Pricing**
- **No charge:** Blinds 84 1/16" (213.6 cm) – 120" (304.8 cm)
- Two or more blinds can be installed on a single headrail to provide a practical treatment for larger windows or sliding patio doors.
- Due to weight limitations, blinds over 84" (213.4 cm) must be manufactured as two or three blinds on one headrail.

Multiple Blinds	Maximum Overall Size for Multiple Blinds	Standard Control Locations	Gap
Two on one headrail	108" x 120" (274.3 cm x 304.8 cm)	Left panel (tilt and lift left) Right panel (tilt and lift right)	1/4" (0.7 cm) 1/2" (1.3 cm) on NoHoles™
Three on one headrail	108" x 120" (274.3 cm x 304.8 cm)	Left panel (tilt and lift left) Right panel (tilt and lift right) Center panel (tilt left/lift right)	1/4" (0.7 cm) 1/2" (1.3 cm) on NoHoles™

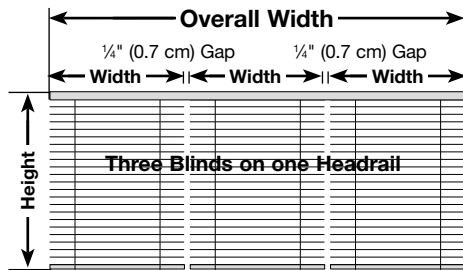
**NOTE:** Optional control positions may be requested.

### Measuring:

1. Measure overall width of the area to be covered. If space permits, an overlap of 1 1/2" (3.9 cm) per side is recommended for outside mounts.
2. Measure the width of the area each blind is to cover. Measure and specify the left blind first, continuing to the right. Allow a minimum of 1/4" (0.7 cm) between blinds for operating clearance.
3. Total width of all blinds, plus clearance(s) must equal overall width.
4. Measure height as follows:
  - a. For windows, use standard inside or outside measuring procedures.
  - b. For patio doors, measure height within 3/4" (2.0 cm) of floor, either from ceiling or a point at least 6 1/2" (16.6 cm) above the door frame. Check slat count table if blind is to completely clear the doorway.



Two Blinds on one Headrail



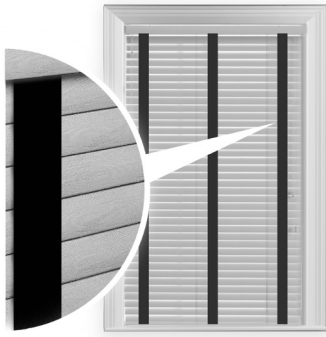
Three Blinds on one Headrail

### Ordering:

1. Indicate whether two or three blinds are to be mounted on one headrail.
2. Specify total width of headrail.
3. Indicate each panel width separately, specify left blind first, continuing to the right.
4. Specify control positions, if other than standard.
5. Add appropriate surcharge (if less than 84" (213.4 cm)).

# Blind Options

## Cloth Tapes



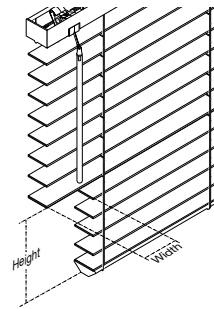
- For surcharge, see Price Charts
- Not available with NoHoles™
- Colors available:

1" (2.6 cm) Solid Tapes		1½" (3.9 cm) Solid Tapes	
Beige	1011	Beige	2011
Black	1033	Black	2033
Cocoa	1297	Chocolate	2353
Duck White	1136	Cocoa	2297
Toffee	1296	Dark Grey	2857
		Duck White	2136
		Light Beige	2137
		Light Grey	2861
		Maroon	2360
		Moss	2500
		Navy	2369
		Pecan	2403
		Taupe	2659
		Toffee	2296
		Wheat	2710
		White	2005
		White Smoke	2617

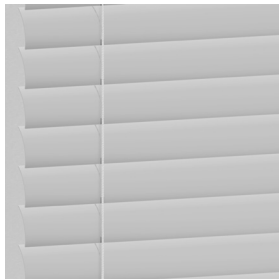
## Cut-Out Blinds



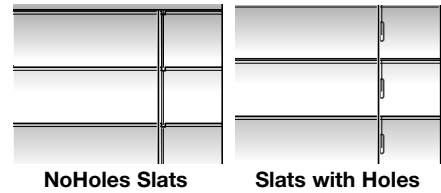
- For surcharge, see Option Pricing
- Bottom corner and side cut-outs only
- Maximum cut-out is 1" (2.6 cm) before route hole or NoHoles notch (corner and side cut-outs only)
- Cut-outs are created with slats tilted in the closed position for maximum clearance
- The cut-out height may be larger than requested due to slat placement.
- Measure height from the bottom of the blind up to the desired location



## NoHoles™ Option: Horizontal Blinds



- For surcharge, see Price Charts
- Provides maximum privacy and light control
- The design of the NoHoles option eliminates route holes, providing additional privacy and the best available light control
- Cleaning is simplified by sliding the NoHoles slats out and wiping clean, or keep the slats in place and vacuuming using a soft brush attachment
- Not available on blinds with Cloth Tape option



## Control Length Chart for Cords and Wands

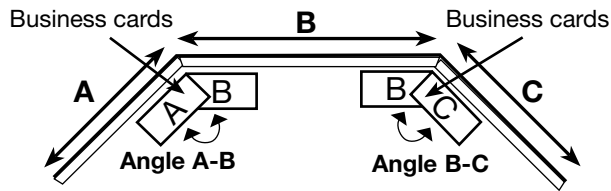
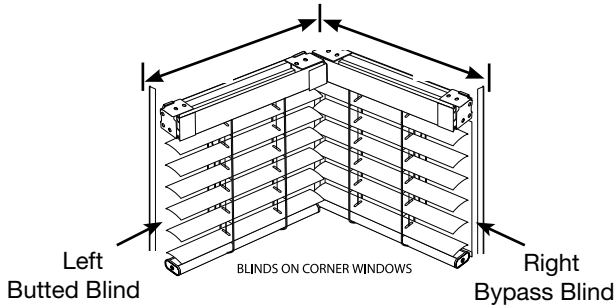
Finished Blind Height	Cord Length	Wand Length
Up to 32" (81.3 cm)	14" (35.6 cm)	12" (30.5 cm)
32½" (81.5 cm) to 50" (127.0 cm)	22" (55.9 cm)	20" (50.8 cm)
50½" (127.2 cm) to 70" (177.8 cm)	32" (81.3 cm)	30" (76.2 cm)
70½" (178.0 cm) to 80" (203.2 cm)	42" (106.7 cm)	40" (101.6 cm)
80½" (203.4 cm) to 87" (221.0 cm)	52" (132.1 cm)	50" (127.0 cm)
87½" (221.2 cm) to 99" (251.5 cm)	62" (157.5 cm)	60" (152.4 cm)
99½" (251.7 cm) to 108" (274.4 cm)	74" (188.0 cm)	72" (182.9 cm)

# Blind Options

## Bay and Corner Windows

- Made as individual blinds to fit in bay or corner windows
- Each section will have its own control, we recommend opposite corners
- Indicate each blind with "bypass" or "butt". Bypass means the blind is mounted into the corner. Butt means the blind is butted up to the other blind.
- Must provide blind location (left and right blind)
- Slat alignment cannot be guaranteed on side by side blinds
- Manufacturer will take appropriate deductions for proper fit
- No additional charge
- Cornices are not available

**NOTE:** If you do not want manufacturer to take deductions DO NOT order as Bay or Corner.



## Measuring Information

### Corner Window

**Measure:**

Width of each window from corner to the point you would like to cover.

### Three-sided Bay Window

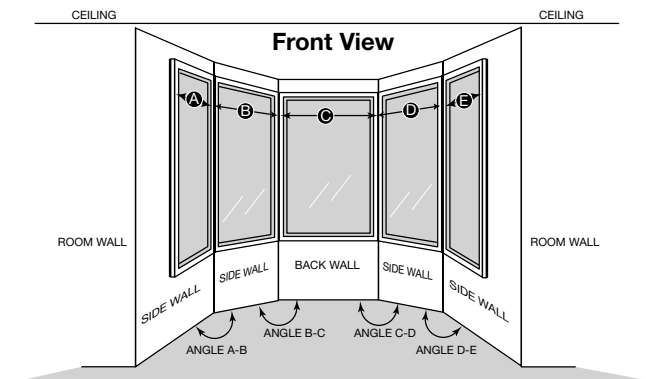
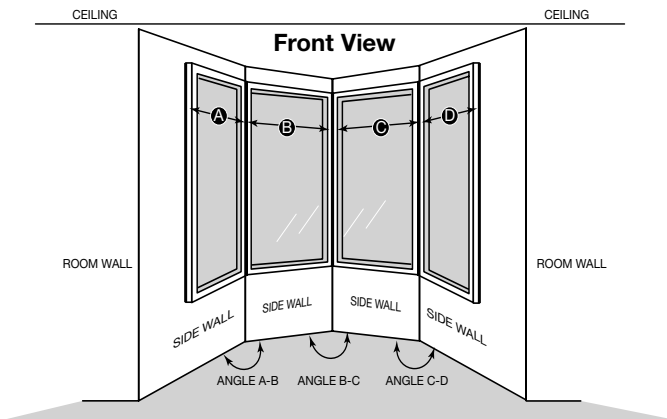
**Measure:**

- A & C:** Width of side windows from the corners to the point you would like the blind to cover.
- B:** Width of the center window from corner to corner.
- Angle A-B:** Angle between windows (A) and (B).
- Angle B-C:** Angle between windows (B) and (C).

### Four-sided Bay Window

**Measure:**

- A & D:** Width of side windows from the corners to the point you would like the blind to cover.
- B & C:** Width of each window from corner to corner.
- Angle A-B:** Angle between windows (A) and (B).
- Angle B-C:** Angle between windows (B) and (C).
- Angle C-D:** Angle between windows (C) and (D).



### Five-sided Bay Window

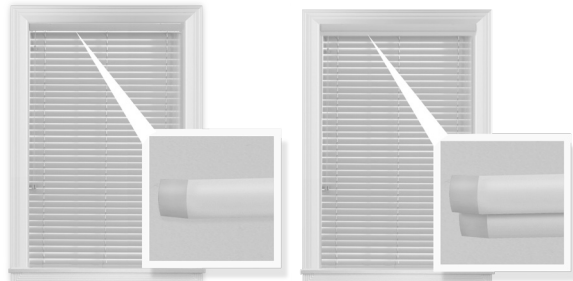
**Measure:**

- A & E:** Width of side windows from the corners to the point you would like the blind to cover.
- B, C & D:** Width of each center window from corner to corner.
- Angle A-B:** Angle between windows (A) and (B).
- Angle B-C:** Angle between windows (B) and (C).
- Angle C-D:** Angle between windows (C) and (D).
- Angle D-E:** Angle between windows (D) and (E).

**NOTE:** Measure bay angle using protractor or angle finder, or use two business cards in bay corner as illustrated above and fax to customer service.

# Blind Options

## Valance Styles



Standard Valance

Double Valance

### Standard Valance

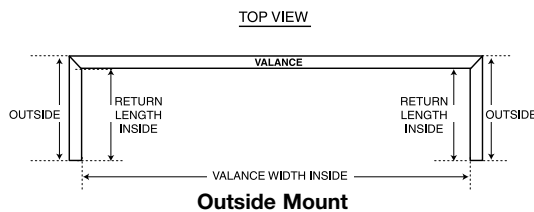
- No charge
- 2" (5.1 cm) single slat valance is standard and provides a finished look

### Double Valance

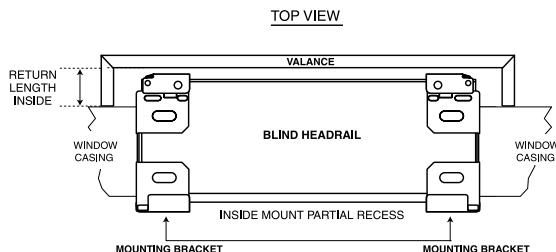
- Surcharge option
- Provides better headrail coverage for a more upscale look
- Height of Double Valance is 3" (7.7 cm)

Valance Type	Tilt Type	Return Length	Full Recess Depth	Inside Mount	Outside Mount
Standard	All	3 <sup>5</sup> / <sub>16</sub> " (8.5 cm)	3 <sup>5</sup> / <sub>16</sub> " (8.5 cm)	120" (304.8 cm) FBW	120" (304.8 cm) FBW
Double	All	3 <sup>15</sup> / <sub>16</sub> " (10.1 cm)	4" (10.2 cm)	120" (304.8 cm) FBW	120" (304.8 cm) FBW

## How to Measure and Order Valances



Outside Mount



Inside Mount

The appropriate valance (inside or outside mount) will be supplied with your blind order. For a more custom look, valance and returns may be special ordered.

**NOTE:** Valances with returns are measured and cut from the **INSIDE (BACKSIDE)** of the valance to ensure the most accurate fit when installed over the headrail or window frame.

### Outside Mount Valance

It is typically required that the valance is entered into the system and manufactured **WITH** returns. However, outside mount valances are available **WITHOUT** returns if needed.

**NOTE: FAXED** orders for outside mount valances will **AUTOMATICALLY** be entered with returns unless otherwise specified. Certain accounts that enter orders electronically **WILL BE REQUIRED TO SELECT WITH OR WITHOUT RETURNS** in their system during entry.

### Inside Mount Valance

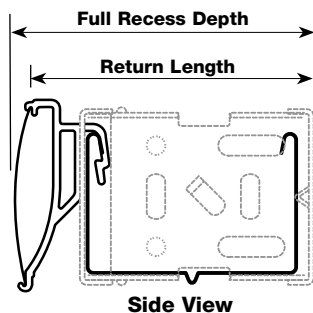
It is typically required for the valance to be entered in the system and manufactured **WITHOUT** returns.

**NOTE:** Valance without returns have ends that are cut straight and look best when the blind and valance are fully recessed into the window casing. However, inside mount valances are available **WITH** returns for blinds that are unable to be fully recessed into the window casing.

### Additional ordering information:

- If projection brackets are requested at the time of order for a valance with returns, longer returns will be automatically sent
- Please state at the time of order if the valance and return measurements are for the **EXACT** size required so that no additions or deductions are made

## How to Order Valance Returns



Side View

### Determining a special return length for **INSIDE MOUNT** blinds not fully recessed:

1. Using the chart above, locate the standard return length by selecting your valance type.
2. Measure the recessed space (depth) of your window casing.
3. Subtract the recessed space measurement from the standard return length.
4. The difference will be the Special Return Length you will need to order for your **INSIDE MOUNT** valances.

**NOTE:** Minimum return length is 1" (2.6 cm).

1. Full recess is from front of valance to wall.
2. Return length is from back of the valance corner to wall.



# General Information

## Slat Count Table: 2" (5.1 cm) Horizontal Vinyl Blinds

Finished Blind Height	Number of Slats	Finished Stack Height
10	6	3 <sup>3</sup> / <sub>4</sub> " (9.6 cm)
11	6	
12	7	
13	7	
14	8	
15	8	4 <sup>1</sup> / <sub>16</sub> " (10.4 cm)
16	9	
17	10	
18	10	
19	11	
20	11	4 <sup>3</sup> / <sub>8</sub> " (11.2 cm)
21	12	
22	12	
23	13	
24	14	
25	14	4 <sup>1</sup> / <sub>8</sub> " (12.0 cm)
26	15	
27	15	
28	16	
29	16	
30	17	5" (12.7 cm)
31	18	
32	18	
33	19	
34	19	
35	20	5 <sup>1</sup> / <sub>4</sub> " (13.4 cm)
36	21	
37	21	
38	22	
39	22	
40	23	5 <sup>5</sup> / <sub>16</sub> " (14.2 cm)
41	23	
42	24	

Finished Blind Height	Number of Slats	Finished Stack Height
43	25	
44	25	
45	26	5 <sup>7</sup> / <sub>8</sub> " (15 cm)
46	26	
47	27	
48	27	
49	28	
50	29	6 <sup>3</sup> / <sub>16</sub> " (15.8 cm)
51	29	
52	30	
53	30	
54	31	
55	31	6 <sup>1</sup> / <sub>2</sub> " (16.6 cm)
56	32	
57	33	
58	33	
59	34	
60	34	6 <sup>3</sup> / <sub>8</sub> " (17.2 cm)
61	35	
62	36	
63	36	
64	37	
65	37	7 <sup>1</sup> / <sub>16</sub> " (18 cm)
66	38	
67	38	
68	39	
69	40	
70	40	7 <sup>3</sup> / <sub>8</sub> " (18.8 cm)
71	41	
72	41	
73	42	
74	42	
75	43	7 <sup>11</sup> / <sub>16</sub> " (19.6 cm)

Finished Blind Height	Number of Slats	Finished Stack Height
76	44	
77	44	
78	45	
79	45	
80	46	8" (20.4 cm)
81	46	
82	47	
83	48	
84	48	
85	49	8 <sup>1</sup> / <sub>4</sub> " (21.0 cm)
86	49	
87	50	
88	51	
89	51	
90	52	8 <sup>9</sup> / <sub>16</sub> " (21.8 cm)
91	52	
92	53	
93	53	
94	54	
95	55	8 <sup>7</sup> / <sub>8</sub> " (22.6 cm)
96	55	
97	56	
98	56	
99	57	
100	57	9 <sup>5</sup> / <sub>16</sub> " (23.4 cm)
101	58	
102	59	
103	59	
104	60	
105	60	9 <sup>1</sup> / <sub>2</sub> " (24.2 cm)
106	61	
107	62	
108	62	

**NOTE:** Finished heights include headrail and bottomrail.

## Ladder Count Table: 2" (5.1 cm) Horizontal Vinyl Blinds

### Standard or Reversed Controls

Finished Blind Width	Number of Ladders	Number of Lifts	Number of NoHole Lifts
9" (22.9 cm) to 26" (66.1 cm)	2	2	4
26 <sup>1</sup> / <sub>16</sub> " (66.2 cm) to 44" (111.8 cm)	3	3	6
44 <sup>1</sup> / <sub>16</sub> " (112.0 cm) to 62" (157.5 cm)	4	4	8
62 <sup>1</sup> / <sub>16</sub> " (157.7 cm) to 84" (214.4 cm)	5	5	10

### Inside Mount:

Order width minus 1/2" (1.3 cm)

### Example:

30" (76.2 cm) width inside mount blind minus 1/2" (1.3 cm) deduction equals 29<sup>1</sup>/<sub>2</sub>" (75.0 cm) finished blind width

### Same Side Controls

Finished Blind Width	Number of Ladders	Number of Lifts	Number of NoHoles™ Lifts
16 <sup>1</sup> / <sub>16</sub> " (40.8 cm) to 30" (76.2 cm)	2	2	4
30 <sup>3</sup> / <sub>16</sub> " (76.4 cm) to 48" (122.0 cm)	3	3	6
48 <sup>1</sup> / <sub>16</sub> " (122.1 cm) to 66" (167.7 cm)	4	4	8
66 <sup>1</sup> / <sub>16</sub> " (167.8 cm) to 84" (213.4 cm)	5	5	10

**Outside Mount:** No deduction

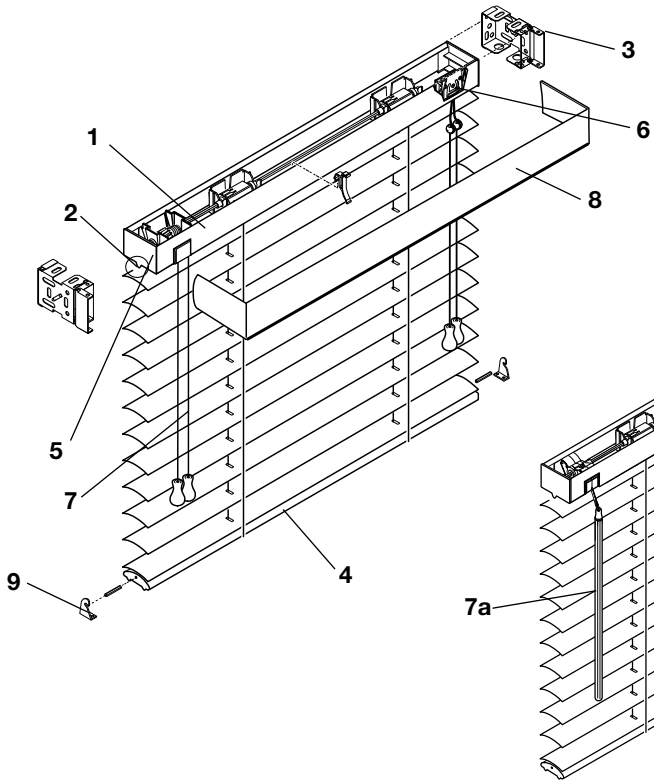
### Motorized Tilt

Finished Blind Width	Number of Ladders	Number of Lifts
19" (48.3 cm) to 30" (76.2 cm)	2	2
30 <sup>1</sup> / <sub>16</sub> " (76.4 cm) to 48" (122.0 cm)	3	3
48 <sup>1</sup> / <sub>16</sub> " (122.1 cm) to 66" (167.7 cm)	4	4
66 <sup>1</sup> / <sub>16</sub> " (167.8 cm) to 84" (213.4 cm)	5	5

**NOTE:** On all inside mount blinds, take deduction BEFORE determining ladder and lift quantity. Cloth ladder quantity is the same as number of ladders listed above.

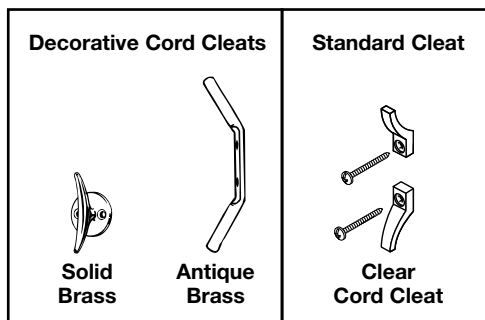
# General Information

## 2" (5.1 cm) Horizontal Vinyl Product Detail

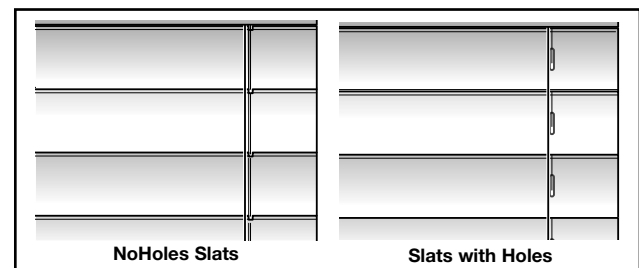


1. **Light-blocking Headrail**
  - Low profile, only 1½" (4.2 cm) high
2. **Light-blocking Lip**
  - Eliminates light gap between headrail and top slat
3. **Mounting Brackets**
  - Designed for easy and installation
4. **Vinyl Bottomrail**
  - White to match backside of slats
5. **Finished End Caps**
  - Flush mount for a trim, smooth fit
6. **Crash-Proof Cord Lock**
  - Long-lasting metal construction; tighter stack
7. **Tilt Control:**
  - Cord Tilt Control (Standard)
- 7a. **Tilt Control:**
  - Wand Tilt Control (Optional)
8. **Standard Valance**
  - Provides a finished look; standard feature
9. **Hold-Down Brackets (Optional)**
  - Secures blind to door, wall or window sills
10. **Clear Plastic Cord Cleats (Standard)**
  - Decorative cord cleats (optional)

### Cord Management Options



### NoHoles™



# Price Charts: 2" (5.1 cm) Horizontal Vinyl Blinds

## Price Group A

### Crown

Height Up To in. (cm) ↓	Width Up To in. (cm) →															
	18 (45.8)	24 (61.0)	31 (78.8)	36 (91.5)	42 (106.7)	48 (122.0)	54 (137.2)	60 (152.4)	66 (167.7)	72 (182.9)	78 (198.2)	84 (213.4)	90 (228.6)	96 (243.9)	108 (274.4)	120 (304.8)
42 (106.7)	\$112	96	119	133	158	165	174	209	226	235	250	269	296	316	355	402
48 (122.0)	118	102	131	148	169	180	193	231	248	263	275	296	329	351	389	440
54 (137.2)	126	110	137	160	184	194	209	255	269	284	299	322	356	380	424	477
60 (152.4)	138	121	149	169	197	209	226	272	291	308	320	345	381	406	460	519
66 (167.7)	146	127	162	180	209	228	244	292	313	333	349	376	412	439	494	560
72 (182.9)	153	135	171	194	226	244	259	317	333	356	373	402	441	470	530	597
78 (198.2)	161	145	184	207	244	259	279	333	356	376	397	427	472	503	557	630
84 (213.4)	170	153	194	218	259	276	292	354	376	402	421	453	502	535	594	670
90 (228.6)	179	162	207	228	269	291	308	376	397	427	446	480	528	563	632	715
96 (243.9)	185	169	218	244	284	305	329	393	420	446	471	507	560	597	663	747
102 (259.1)	194	178	226	255	296	322	343	413	441	472	496	534	592	631	696	787
108 (274.4)	203	184	235	265	317	339	361	436	469	489	520	560	620	661	734	826
<b>Surcharge: Valance Option</b>																
Double Valance	\$3	3	3	3	4	4	4	6	6	6	6	6	6	6	6	10

**NOTE:** Smallest width available 9" (22.9 cm) exact. Widths from 9" (22.9 cm) to 11<sup>15</sup>/<sub>16</sub>" (30.4 cm) are center tilt only.

**Multiple Blinds on One Headrail**  
Blinds less than or equal to 84" (213.4 cm): **Add surcharge: \$47 two on one headrail**  
**\$65 three on one headrail**

**Multiple Blinds on One Headrail**  
Blind widths 84<sup>1</sup>/<sub>16</sub>" (213.6 cm) to 120" (304.8 cm): **No charge**

### Crown with Cloth Tapes or NoHoles™

Height Up To in. (cm) ↓	Width Up To in. (cm) →															
	18 (45.8)	24 (61.0)	31 (78.8)	36 (91.5)	42 (106.7)	48 (122.0)	54 (137.2)	60 (152.4)	66 (167.7)	72 (182.9)	78 (198.2)	84 (213.4)	90 (228.6)	96 (243.9)	108 (274.4)	120 (304.8)
42 (106.7)	\$129	110	137	153	182	190	200	240	260	270	288	309	340	363	408	462
48 (122.0)	136	117	151	170	194	207	222	266	285	302	316	340	378	404	447	506
54 (137.2)	145	127	158	184	212	223	240	293	309	327	344	370	409	437	488	549
60 (152.4)	159	139	171	194	227	240	260	313	335	354	368	397	438	467	529	597
66 (167.7)	168	146	186	207	240	262	281	336	360	383	401	432	474	505	568	644
72 (182.9)	176	155	197	223	260	281	298	365	383	409	429	462	507	541	610	687
78 (198.2)	185	167	212	238	281	298	321	383	409	432	457	491	543	578	641	725
84 (213.4)	196	176	223	251	298	317	336	407	432	462	484	521	577	615	683	771
90 (228.6)	206	186	238	262	309	335	354	432	457	491	513	552	607	647	727	822
96 (243.9)	213	194	251	281	327	351	378	452	483	513	542	583	644	687	762	859
102 (259.1)	223	205	260	293	340	370	394	475	507	543	570	614	681	726	800	905
108 (274.4)	233	212	270	305	365	390	415	501	539	562	598	644	713	760	844	950
<b>Surcharge: Valance Option</b>																
Double Valance	\$3	3	3	3	4	4	4	6	6	6	6	6	6	6	6	10

**NOTE:** Smallest width available 9" (22.9 cm) exact. Widths from 9" (22.9 cm) to 11<sup>15</sup>/<sub>16</sub>" (30.4 cm) are center tilt only.

**Multiple Blinds on One Headrail**  
Blinds less than or equal to 84" (213.4 cm): **Add surcharge: \$47 two on one headrail**  
**\$65 three on one headrail**

**Multiple Blinds on One Headrail**  
Blind widths 84<sup>1</sup>/<sub>16</sub>" (213.6 cm) to 120" (304.8 cm): **No charge**

## Colors

### Crown

Alabaster.....	3112	Misty Gray.....	3050
Candelabra.....	3051	Tan.....	3093
Carob.....	3005	White.....	3205
Ivory.....	3325		

# Price Charts: 2" (5.1 cm) Horizontal Vinyl Blinds

## Price Group B

### Cachet, Fiber, Linen, Quantum, Rapture

Height Up To in. (cm)	Width Up To in. (cm)															
	18 (45.8)	24 (61.0)	31 (78.8)	36 (91.5)	42 (106.7)	48 (122.0)	54 (137.2)	60 (152.4)	66 (167.7)	72 (182.9)	78 (198.2)	84 (213.4)	90 (228.6)	96 (243.9)	108 (274.4)	120 (304.8)
42 (106.7)	\$141	121	150	168	199	208	219	263	285	296	315	339	373	398	447	507
48 (122.0)	149	129	165	186	213	227	243	291	312	331	347	373	415	442	490	554
54 (137.2)	159	139	173	202	232	244	263	321	339	358	377	406	449	479	534	601
60 (152.4)	174	152	188	213	248	263	285	343	367	388	403	435	480	512	580	654
66 (167.7)	184	160	204	227	263	287	307	368	394	420	440	474	519	553	622	706
72 (182.9)	193	170	215	244	285	307	326	399	420	449	470	507	556	592	668	752
78 (198.2)	203	183	232	261	307	326	352	420	449	474	500	538	595	634	702	794
84 (213.4)	214	193	244	275	326	348	368	446	474	507	530	571	633	674	748	844
90 (228.6)	226	204	261	287	339	367	388	474	500	538	562	605	665	709	796	901
96 (243.9)	233	213	275	307	358	384	415	495	529	562	593	639	706	752	835	941
102 (259.1)	244	224	285	321	373	406	432	520	556	595	625	673	746	795	877	992
108 (274.4)	256	232	296	334	399	427	455	549	591	616	655	706	781	833	925	1041
<b>Surcharge: Valance Option</b>																
Double Valance	\$4	4	4	4	6	6	6	8	8	10	10	14	14	16	18	19

**NOTE:** Smallest width available 9" (22.9 cm) exact. Widths from 9" (22.9 cm) to 11<sup>15</sup>/<sub>16</sub>" (30.4 cm) are center tilt only.

**Multiple Blinds on One Headrail**  
Blinds less than or equal to 84" (213.4 cm): **Add surcharge: \$47 two on one headrail \$65 three on one headrail**

**Multiple Blinds on One Headrail**  
Blind widths 84<sup>1</sup>/<sub>16</sub>" (213.6 cm) to 120" (304.8 cm): **No charge**

### Cachet, Fiber, Linen, Quantum, Rapture with Cloth Tapes or NoHoles™

Height Up To in. (cm)	Width Up To in. (cm)															
	18 (45.8)	24 (61.0)	31 (78.8)	36 (91.5)	42 (106.7)	48 (122.0)	54 (137.2)	60 (152.4)	66 (167.7)	72 (182.9)	78 (198.2)	84 (213.4)	90 (228.6)	96 (243.9)	108 (274.4)	120 (304.8)
42 (106.7)	\$162	139	173	193	229	239	252	302	328	340	362	390	429	458	514	583
48 (122.0)	171	148	190	214	245	261	279	335	359	381	399	429	477	508	564	637
54 (137.2)	183	160	199	232	267	281	302	369	390	412	434	467	516	551	614	691
60 (152.4)	200	175	216	245	285	302	328	394	422	446	463	500	552	589	667	752
66 (167.7)	212	184	235	261	302	330	353	423	453	483	506	545	597	636	715	812
72 (182.9)	222	196	247	281	328	353	375	459	483	516	541	583	639	681	768	865
78 (198.2)	233	210	267	300	353	375	405	483	516	545	575	619	684	729	807	913
84 (213.4)	246	222	281	316	375	400	423	513	545	583	610	657	728	775	860	971
90 (228.6)	260	235	300	330	390	422	446	545	575	619	646	696	765	815	915	1036
96 (243.9)	268	245	316	353	412	442	477	569	608	646	682	735	812	865	960	1082
102 (259.1)	281	258	328	369	429	467	497	598	639	684	719	774	858	914	1009	1141
108 (274.4)	294	267	340	384	459	491	523	631	680	708	753	812	898	958	1064	1197
<b>Surcharge: Valance Option</b>																
Double Valance	\$4	4	4	4	6	6	6	8	8	10	10	14	14	16	18	19

**NOTE:** Smallest width available 9" (22.9 cm) exact. Widths from 9" (22.9 cm) to 11<sup>15</sup>/<sub>16</sub>" (30.4 cm) are center tilt only.

**Multiple Blinds on One Headrail**  
Blinds less than or equal to 84" (213.4 cm): **Add surcharge: \$47 two on one headrail \$65 three on one headrail**

**Multiple Blinds on One Headrail**  
Blind widths 84<sup>1</sup>/<sub>16</sub>" (213.6 cm) to 120" (304.8 cm): **No charge**

## Colors

Cachet	Fiber	Linen	Quantum	Rapture
Ivory..... 3146	Bloodroot ..... 3014	Café..... 3022	Chevre..... 3099	Bleach ..... 3034
Satin White..... 3275	Buttercream ..... 3122	Cream..... 3023	Cream..... 3715	Heather..... 3027
Shimmer Sage ..... 3272	Cinnamon..... 3127	Ebony ..... 3024	Model ..... 3068	Steel ..... 3039
Silver Dollar..... 3270	Midnight ..... 3125	Granite..... 3098	Shipwreck ..... 3100	
Tan..... 3280	Pebble..... 3056	Lakebed ..... 3096		
White ..... 3274	Sandstone..... 3120	Lichen..... 3025		
	Shale ..... 3055	Snow ..... 3028		
	White ..... 3124			

# Price Charts: 2" (5.1 cm) Horizontal Vinyl Blinds

## Price Group C

### Coronation, Georgetown, Homespun II, Kensington, Safari

Height Up To in. (cm) ↓	Width Up To in. (cm) →															
	18 (45.8)	24 (61.0)	31 (78.8)	36 (91.5)	42 (106.7)	48 (122.0)	54 (137.2)	60 (152.4)	66 (167.7)	72 (182.9)	78 (198.2)	84 (213.4)	90 (228.6)	96 (243.9)	108 (274.4)	120 (304.8)
42 (106.7)	\$165	142	176	197	233	243	256	308	333	346	369	397	436	466	523	593
48 (122.0)	174	151	193	218	249	266	284	340	365	387	406	436	486	517	573	648
54 (137.2)	186	163	202	236	271	285	308	376	397	419	441	475	525	560	625	703
60 (152.4)	204	178	220	249	290	308	333	401	429	454	472	509	562	599	679	765
66 (167.7)	215	187	239	266	308	336	359	431	461	491	515	555	607	647	728	826
72 (182.9)	226	199	252	285	333	359	381	467	491	525	550	593	651	693	782	880
78 (198.2)	238	214	271	305	359	381	412	491	525	555	585	629	696	742	821	929
84 (213.4)	250	226	285	322	381	407	431	522	555	593	620	668	741	789	875	987
90 (228.6)	264	239	305	336	397	429	454	555	585	629	658	708	778	830	931	1054
96 (243.9)	273	249	322	359	419	449	486	579	619	658	694	748	826	880	977	1101
102 (259.1)	285	262	333	376	436	475	505	608	651	696	731	787	873	930	1026	1161
108 (274.4)	300	271	346	391	467	500	532	642	691	721	766	826	914	975	1082	1218
<b>Surcharge: Valance Option</b>																
Double Valance	\$8	8	8	8	10	10	14	18	18	18	20	20	20	21	21	23

**NOTE:** Smallest width available 9" (22.9 cm) exact. Widths from 9" (22.9 cm) to 11<sup>5</sup>/<sub>16</sub>" (30.4 cm) are center tilt only.

**Multiple Blinds on One Headrail**  
Blinds less than or equal to 84" (213.4 cm): **Add surcharge: \$47 two on one headrail**  
**\$65 three on one headrail**

**Multiple Blinds on One Headrail**  
Blind widths 84<sup>1</sup>/<sub>16</sub>" (213.6 cm) to 120" (304.8 cm): **No charge**

### Coronation, Georgetown, Homespun II, Kensington, Safari with Cloth Tapes or NoHoles™

Height Up To in. (cm) ↓	Width Up To in. (cm) →															
	18 (45.8)	24 (61.0)	31 (78.8)	36 (91.5)	42 (106.7)	48 (122.0)	54 (137.2)	60 (152.4)	66 (167.7)	72 (182.9)	78 (198.2)	84 (213.4)	90 (228.6)	96 (243.9)	108 (274.4)	120 (304.8)
42 (106.7)	\$190	163	202	227	268	279	294	354	383	398	424	457	501	536	601	682
48 (122.0)	200	174	222	251	286	306	327	391	420	445	467	501	559	595	659	745
54 (137.2)	214	187	232	271	312	328	354	432	457	482	507	546	604	644	719	808
60 (152.4)	235	205	253	286	334	354	383	461	493	522	543	585	646	689	781	880
66 (167.7)	247	215	275	306	354	386	413	496	530	565	592	638	698	744	837	950
72 (182.9)	260	229	290	328	383	413	438	537	565	604	633	682	749	797	899	1012
78 (198.2)	274	246	312	351	413	438	474	565	604	638	673	723	800	853	944	1068
84 (213.4)	288	260	328	370	438	468	496	600	638	682	713	768	852	907	1006	1135
90 (228.6)	304	275	351	386	457	493	522	638	673	723	757	814	895	955	1071	1212
96 (243.9)	314	286	370	413	482	516	559	666	712	757	798	860	950	1012	1124	1266
102 (259.1)	328	301	383	432	501	546	581	699	749	800	841	905	1004	1070	1180	1335
108 (274.4)	345	312	398	450	537	575	612	738	795	829	881	950	1051	1121	1244	1401
<b>Surcharge: Valance Option</b>																
Double Valance	\$8	8	8	8	10	10	14	18	18	18	20	20	20	21	21	23

**NOTE:** Smallest width available 9" (22.9 cm) exact. Widths from 9" (22.9 cm) to 11<sup>5</sup>/<sub>16</sub>" (30.4 cm) are center tilt only.

**Multiple Blinds on One Headrail**  
Blinds less than or equal to 84" (213.4 cm): **Add surcharge: \$47 two on one headrail**  
**\$65 three on one headrail**

**Multiple Blinds on One Headrail**  
Blind widths 84<sup>1</sup>/<sub>16</sub>" (213.6 cm) to 120" (304.8 cm): **No charge**

## Colors

Coronation	Georgetown	Homespun II	Kensington	Safari
Decree.....3045	Capitol Hill.....3072	Beach.....3008	Bellhop.....3041	Buffalo.....3105
Princess.....3046	Flax.....3071	Butterscotch.....3007	Fresh Linens.....3042	Hearthstone.....3103
Proclamation.....3043	National Mall.....3078	Chocolate.....3011	Passport.....3037	Moccasin.....3106
Royal Coach.....3047	Smithsonian.....3073	Ivory.....3006	Room Key.....3038	Quarry.....3102
Sceptre.....3049	Tawny.....3070		Titanium.....3040	Stormy Sage.....3104
	White.....3065			

## Options Pricing

<b>Valance Replacement Pricing</b>																
Width Up To in (cm) →	18 (45.8)	24 (61.0)	31 (78.8)	36 (91.5)	42 (106.7)	48 (122.0)	54 (137.2)	60 (152.4)	66 (167.7)	72 (182.9)	78 (198.2)	84 (213.4)	90 (228.6)	96 (243.9)	108 (274.4)	120 (304.8)
<b>Price Group A: Crown</b>																
Standard	\$18	18	18	20	20	20	24	24	29	29	30	32	35	40	43	43
Double	18	18	20	20	23	23	29	29	32	32	33	35	36	46	46	49
<b>Price Group B: Cachet, Fiber, Linen, Quantum, Rapture</b>																
Standard	\$18	18	20	20	20	20	24	24	29	29	30	32	35	40	43	46
Double	18	18	20	20	23	23	29	29	32	32	33	36	36	46	49	52
<b>Price Group C: Coronation, Georgetown, Homespun II, Kensington, Safari</b>																
Standard	\$20	20	23	23	24	24	32	32	36	36	36	39	43	54	54	56
Double	23	23	24	29	29	32	39	39	43	43	46	49	54	60	66	69

<b>Options Pricing</b>	
<b>Option</b>	<b>Surcharge</b>
Cloth Tapes (1" (2.5 cm) and 1½" (3.8 cm))	See price charts for appropriate style choice
Decorative Cord Cleats	Solid Brass Cleat: \$10 Antique Brass Cleat: \$5
Corner or Bay Window	No Charge
Cut-Outs	\$67
Double Valance	See price charts for ordering with blind See above for replacement pricing
Hold-down Brackets	No Charge
Motorized Tilt	See Motorization Tab for pricing information
Multiple Blinds on One Headrail	Less than or equal to 84" (213.4 cm) wide: Two on one headrail: \$47; Three on one headrail: \$65 84½" (213.6 cm) – 120" (304.8 cm) wide: No charge
NoHoles™	See price chart
Projection Brackets (2¾" (7.0 cm) and 4¾" (12.1 cm))	No Charge
Shims (⅜" (0.5 cm))	No Charge
Sky Poles	3 ft.–6½ ft. (91.5 cm - 198.2 cm): \$45 5 ft.–9½ ft. (152.4 cm - 289.6 cm): \$68
Wood Cornices	See Cornice and Valances Tab for pricing information



Graber is a brand of Springs Window Fashions, the Best Experience Company 

Graber and the Graber logo are registered trademarks of Springs Window Fashions, LLC.

19-0522-05 (10/15) 703|S151113