

MyWay™ Collection Price List ■

December 11, 2013

Updated January 12, 2017

800-424-2432



Furnishing Knowledge®

Ordering C.O.M., C.O.L., and C.O.V.

High Point

Customer's Own Material ■

Specifications Form

January 2017

All fabrics, including COM, COL, KOM and in grades will be applied at the factory's discretion. If a pattern or stripe is to be applied in a certain direction, the customer MUST specify this in writing on the P.O. and attach a sample of the fabric with it running in the application direction to the P.O. Specifying fabric direction may increase the amount of COM or KOM yardage required. Check with KI Customer Service to see if an increase in yardage is necessary BEFORE specifying, ordering and sending COM and COL to the factory or having KOM quoted.

ALL C.O.M AND C.O.L SHIPMENTS
MUST BE PREPAID TO:

KI
217 Feld Avenue
High Point, NC 27263

COM and COL must be identified as follows:

1. Name and address
2. Your purchase order number
3. Our style number to which fabric is to be applied
4. Supplier name and fabric name, number, and color

COLLECT SHIPMENTS WILL BE REFUSED.

SHIPMENT SCHEDULE WILL BE GIVEN WHEN ALL FABRIC IS RECEIVED FOR ENTIRE ORDER

YARDAGE REQUIREMENTS LISTED IN PRICE LIST ARE BASED ON PLAIN GOODS 54" WIDE. Fabrics less than 54" wide, or those requiring matching (stripes, plaids, prints, large patterns) will require additional yardage based on the fabric used and the item ordered. CONSULT MATRIX BELOW FOR ADDITIONAL YARDAGE NEEDED.

C.O.M. INCREASE MATRIX (The yardage matrix is also applicable to any reservations of KI Ingrade, Pallas, or KOM upholsteries).

This table is a general guide.

FABRIC WIDTH	PLAIN FABRIC	UNDER 7" REPEAT	8"-13" REPEAT	14"-21" REPEAT	22"-27" REPEAT	28"-33" REPEAT	34"-40" REPEAT	41"-48" REPEAT
54"	0	20%	25%	30%	45%	55%	70%	80%
51"-53"	15%	25%	30%	35%	50%	60%	80%	90%
48"-50"	20%	30%	35%	40%	55%	65%	85%	95%
45"-47"	30%	45%	50%	55%	60%	80%	90%	100%
36"-44"	50%	65%	70%	75%	80%	100%	110%	120%

FABRIC WITH DOUBLE REPEAT: IF USING A FABRIC WITH A DOUBLE REPEAT, PLEASE FOLLOW THIS FORMULA: TAKE THE TOTAL AMOUNT OF THE LARGER AND HALF OF THE SMALLER REPEAT; ADD TOGETHER TO FIND THE CORRECT OVERALL REPEAT. EXAMPLE: 10" VERTICAL WITH 14" HORIZONTAL WOULD BE $14+5=19$.

IF FABRIC COMES IN ON MULTIPLE ROLLS, ONE ADDITIONAL YARD PER ROLL NEEDS TO BE ADDED TO THE YARDAGE REQUIREMENT.

SPECIAL NOTE: WE CAN ASSUME NO RESPONSIBILITY FOR THE DURABILITY OR TAILORING QUALITY OF CUSTOMER FURNISHED COVERINGS (C.O.M.) OR KOM. KOM: is fabric that KI will purchase for you at jobber's price (net) plus a nominal charge for handling, shipping, and managing.



Customer's Own Material ■

Specifications Form

January 2017

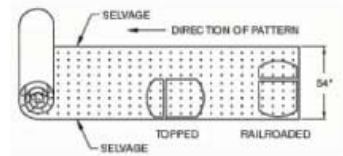
ADDITIONAL NOTES:

- Orders cannot go into production without the information listed at right.
- Attach memo sample to this approval sheet.
- If your order has been placed, list PO# _____
- The cost of the COM sample will be paid by the client.
- Even after preliminary approval, KI reserves the right to reject COM/COL if necessary when the quality is not satisfactory for the product to be upholstered. KI assumes no responsibility for its overall appearance, flammability, durability, color fastness or any other quality after upholstered on a KI product.

ALL COM MUST BE APPROVED.

Photocopy this form and submit with COM fabric for approval:

(This fabric approval is for the purpose of advising how to apply your COM fabric, verify yardage required, and suitability.)



YOUR COMPANY NAME _____

PHONE _____ FAX _____

Material Supplier _____

Material Name _____ Number _____

Material Color _____ Width _____

Vertical Repeat _____ Horizontal Repeat _____

Fiber Content _____

Direction Stripe/Pattern to be applied _____

COM TO BE USED ON THE FOLLOWING:

QTY	PRODUCT NAME/NUMBER
_____	_____
_____	_____
_____	_____
_____	_____
_____	_____



Ordering C.O.M., C.O.L., and C.O.V.

Shipping Location

C.O.M. SHIPPING LOCATION

Architectural Walls

Genius Walls MN

Casegoods

Dante Benches AG
Darwin Tackboards MN
Aristotle Tackboards MN

Classroom Furniture

360° Classroom Furniture BW
Intellect Wave Chairs GB
Dorsal 1090 Chairs GB
Learn2 GB

Desking

700 Series Desking KP
Balance Overheads MN
Genesis Desking MN
True Desking KP
Universal Overheads MN
WorkZone Desking MN

Files & Storage

700 Series Pedestal Cushion GB
U-Series Pedestal Cushion GB

Fixed Seating

Concerto Auditorium Seating BW
Single Pedestal Seating GB
Jury Base Seating GB
Lancaster Auditorium Seating BW
Sequence Seating GB
University Seating GB

Panel Systems

All Terrain KP
Balance Overheads MN
System 3000 MN
Universal Overheads MN

Wireworks MN
Unite MN

Residence Hall Furniture

RoomScape Furniture MN

Screens

True/Volition KP
Genesis KP

Seating

100 Series Folding Chairs BW
300 Series Folding Chairs BW
600 Series Stools BW
700 Series Folding Chairs BW
1000 Series GB
Aerdyn Guest Seating HN
Affina Collection HN
Arisa Lounge HN
Altus Task Chairs TM
Apply Stack Chairs GB
Auditorium Folding Chairs BW
Avail Task Chairs OM
Bantam Guest Seating HN
Boss Design Chairs HN
Cinturon Lounge & Professional Seating .. HN
Cody Lounge Seating HN
Connection Zone Privacy Booths HN
Doni Collection GB
Dorsal Stack & Tandem Seating GB
Engage Task Chairs & Stools GB
Front Row Seats (Silk Screening) BW
GateOne Public Seating BW
Grazie Seating GB
Hub Modular Lounge Seating HN
Impress Task Chairs OM
Impress Ultra Task Chairs OM
Jessa Lounge Seating HN
Jubi Guest Chair GB

Kismet Task/Guest Chairs & Stools OM
Kurv Benches HN
LaResta Day Beds HN
Maestro Stack Chairs GB
Matrix Stack Chairs GB
Medical & Laboratory Stools OM
Mesa Lounge & Task Seating HN
MyWay Seating HN
Neena Benches HN
Opt4 GB
Perry Stack Chairs GB
Perth Multiple & Healthcare Seating HN
Perth II Healthcare Seating HN
Pilot Task Chairs OM
Piretti Stack Chairs GB
Promenade Seating System BW
Rapture Stack Chairs & Stools GB
Relax Lounge Seating HN
Rose Healthcare BW
Sela Lounge Seating HN
Sift Task Chairs TM
Silhouette Stack Chairs & Stools BW
Soltice Metal Collection HN
Soltice Multiple, Healthcare & Guest HN
Soltice II Healthcare Seating HN
Strive Multiple, Stack & Task GB
Sway BW
Tea Cup Lounge Seating HN
Torsion-on-the-Go! Nesting Chairs GB
Torsion Air Stack and Task Seating GB
Torsion Stack and Task Seating GB
Versa Stack Chairs & Stools GB



KI Manufacturing Sites - Customer's Own Material Shipment Manufacturing Site Addresses

AG

Contact KI at
1-800-424-2432

GB

KI Green Bay
Attn: COM Storage
1687 Westminster Drive - Gate 3
Green Bay, WI 54302

HN

KI-HN
Attn: COM Storage
217 Feld Avenue
High Point, NC 27263

KP

KI Pembroke
Attn: COM Storage
1000 Olympic Dr.
Pembroke, Ontario K8A6X7

MN

KI Manitowoc
Attn: COM Storage
1400 S. 41st St.
Manitowoc, WI 54220

BW

KI Bonduel
Attn: COM Storage
204 West South St.
Bonduel, WI 54107

KI Crossroads

Attn: Brianne Linn
280 North Road
Clinton County
Industrial Park
McElhattan, PA 17748

OM

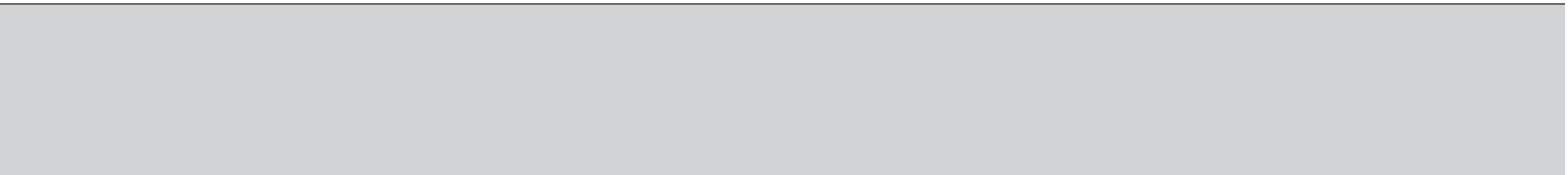
KI-Impress
Attn: COM Storage
1110 S. Mildred Ave.
Ontario, CA 91761

TM

KI Tupelo
2112 South Green St.
Tupelo, MS 38804



Ordering C.O.M., C.O.L., and C.O.V.
Shipping Location



MyWay™ Lobby and Lounge Seating

General Information



**Armless
Sled Chair
(MYNN)**

**No Arm/Low Arm
Sled Chair
(MYNL or MYLN)**

**No Arm/High Arm
Sled Chair
(MYNH or MYHN)**

**No Arm/Work Arm
Sled Chair
(MYNW or MYWN)**

**Low Arm
Sled Chair
(MYLL)**

**Low Arm/High Arm
Sled Chair
(MYLH or MYHL)**

General Dimensions

Seat width	32-3/4"	26"	26"	26"	20"	20"
Seat depth	20"	20"	20"	20"	20"	20"
Seat height	18"	18"	18"	18"	18"	18"
Arm width		4-1/4"	4-1/4"	11" Front of Work Arm	4-1/4"	4-1/4"
Arm height		21"	29-1/2"	29-1/2"	21"	21" Low Arm/ 29-1/2" High Arm

Overall Dimensions

Width	33"	33"	36"	36"	33"	36"
Depth	32"	33"	34-1/2"	33-1/2"	33"	34-1/2"
Height	29-1/2"	29-1/2"	29-1/2"	29-1/2"	29-1/2"	29-1/2"
Tablet width				9-1/2"		
Tablet depth				13-3/8"		

UPHOLSTERY INFORMATION

C.O.M. Fabric

For C.O.M. fabric sent to KI-High Point on multiple rolls, add an additional yard of fabric per roll to the yardage requirements. Multiple rolls have shorter pieces of fabric on them and do not allow nesting and stacking of the fabric to achieve the best yield as is done with one large roll. This results in yardage shortages and requests for additional fabric from the client, which can delay an order. For each roll that is sent, one yard needs to be added to one of the rolls, not separately.

Fabric Disclaimer

Fabric will be applied as swatched by the fabric manufacturer. Fabric that is required to be applied differently than is swatched will need a Special Cost Request written specifying the direction the fabric is to be applied. The posted standard lead time will apply to the Special Cost Request.

FINISH INFORMATION

SPECIAL FINISH MATCHES

KI can match special finish requests at an upcharge of \$68 List per item, up to 12 or a maximum charge of \$818 List per order per color. Special finish requests must be sent to your KI customer service representative.

Upon receipt from KI, the finishing department will prepare a "strike-off" which will be sent to the customer for approval.

The approval form accompanying the strike-off should be faxed to your KI customer service representative. Upon receipt of the signed approval form, KI will proceed with the order. Disapproved samples may be sent back to KI directly with an explanation of disapproval. A Special Finish Number (SFN) will be assigned to this finish sample for future reference or reorders.



MyWay™ Lobby and Lounge Seating

General Information



**Low Arm/Work Arm
Sled Chair
(MYLW or MYWL)**

**High Arm
Sled Chair
(MYHH)**

**High Arm/Work Arm
Sled Chair
(MYHW or MYWH)**

**Small End Table
(MYTB9012)**

**End Table
(MYTB9013)**

**Coffee Table
(MYTB9014)**

General Dimensions						
Seat width	20"	20"	20"			
Seat depth	20"	20"	20"			
Seat height	18"	18"	18"			
Arm width	11" Front of Work Arm/ 4-1/4" Low Arm	4-1/4"	11" Front of Work Arm/ 4-1/4" High Arm			
Arm height	21" Low Arm/ 29-1/2" High Arm	29-1/2"	29-1/2"			
Overall Dimensions						
Width	36"	40"	40"	24"	24"	42"
Depth	33-1/2"	34-1/2"	34-1/2"	24"	24"	24"
Height	29-1/2"	29-1/2"	29-1/2"	16"	22"	16"
Tablet width	9-1/2"		9-1/2"			
Tablet depth	13-3/8"		13-3/8"			

INFORMATION

Warranty

Refer to KI Terms & Conditions document or visit ki.com.

MyWay™ Lobby and Lounge Seating

General Information



**Armless
4-Leg Chair
(MYNN4L)**



**No Arm/Low Arm
4-Leg Chair
(MYNL4L or MYLN4L)**



**No Arm/High Arm
4-Leg Chair
(MYNH4L or MYHN4L)**



**No Arm/Work Arm
4-Leg Chair
(MYNW4L or MYWN4L)**



**Low Arm
4-Leg Chair
(MYLL4L)**



**Low Arm/High Arm
4-Leg Chair
(MYLH4L or MYHL4L)**

General Dimensions

Seat width	32-3/4"	26"	26"	26"	20"	20"
Seat depth	20"	20"	20"	20"	20"	20"
Seat height	18"	18"	18"	18"	18"	18"
Arm width		4-1/4"	4-1/4"	11" Front of Work Arm	4-1/4"	4-1/4"
Arm height		21"	29-1/2"	29-1/2"	21"	21" Low Arm/ 29-1/2" High Arm

Overall Dimensions

Width	33"	33"	36"	36"	33"	36"
Depth	32"	33"	34-1/2"	33-1/2"	33"	34-1/2"
Height	29-1/2"	29-1/2"	29-1/2"	29-1/2"	29-1/2"	29-1/2"
Tablet width				9-1/2"		
Tablet depth				13-3/8"		

UPHOLSTERY INFORMATION

C.O.M. Fabric

For C.O.M. fabric sent to KI-High Point on multiple rolls, add an additional yard of fabric per roll to the yardage requirements. Multiple rolls have shorter pieces of fabric on them and do not allow nesting and stacking of the fabric to achieve the best yield as is done with one large roll. This results in yardage shortages and requests for additional fabric from the client, which can delay an order. For each roll that is sent, one yard needs to be added to one of the rolls, not separately.

Fabric Disclaimer

Fabric will be applied as swatched by the fabric manufacturer. Fabric that is required to be applied differently than is swatched will need a Special Cost Request written specifying the direction the fabric is to be applied. The posted standard lead time will apply to the Special Cost Request.

FINISH INFORMATION

SPECIAL FINISH MATCHES

KI can match special finish requests at an upcharge of \$68 List per item, up to 12 or a maximum charge of \$818 List per order per color. Special finish requests must be sent to your KI customer service representative.

Upon receipt from KI, the finishing department will prepare a "strike-off" which will be sent to the customer for approval.

The approval form accompanying the strike-off should be faxed to your KI customer service representative. Upon receipt of the signed approval form, KI will proceed with the order. Disapproved samples may be sent back to KI directly with an explanation of disapproval. A Special Finish Number (SFN) will be assigned to this finish sample for future reference or reorders.



MyWay™ Lobby and Lounge Seating

General Information



**Low Arm/Work Arm
4-Leg Chair
(MYLW4L or MYWL4L)**

**High Arm
4-Leg Chair
(MYHH4L)**

**High Arm/Work Arm
4-Leg Chair
(MYHW4L or MYWH4L)**

General Dimensions			
Seat width	20"	20"	20"
Seat depth	20"	20"	20"
Seat height	18"	18"	18"
Arm width	11" Front of Work Arm/ 4-1/4" Low Arm	4-1/4"	11" Front of Work Arm/ 4-1/4" High Arm
Arm height	21" Low Arm/ 29-1/2" High Arm	29-1/2"	29-1/2"
Overall Dimensions			
Width	36"	40"	40"
Depth	33-1/2"	34-1/2"	34-1/2"
Height	29-1/2"	29-1/2"	29-1/2"
Tablet width	9-1/2"		9-1/2"
Tablet depth	13-3/8"		13-3/8"

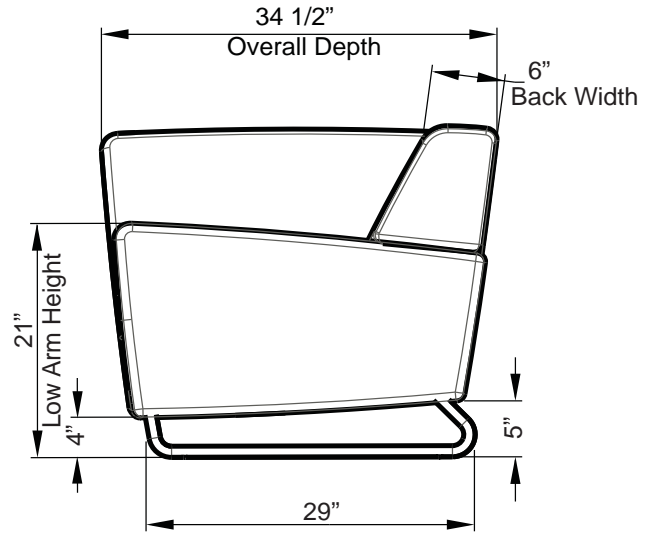
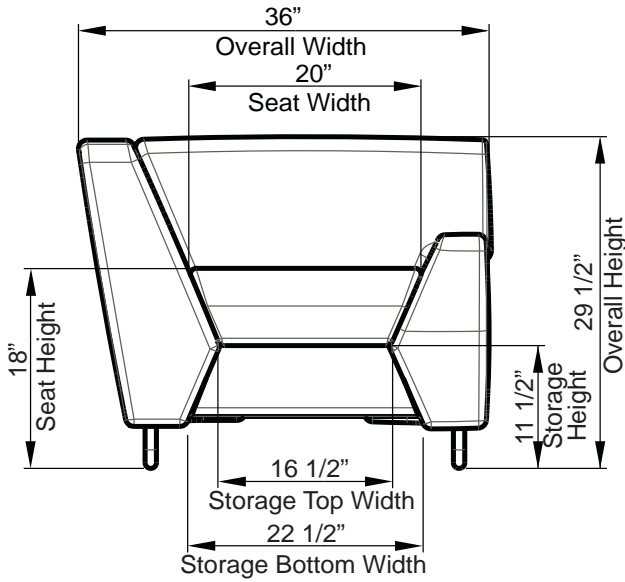
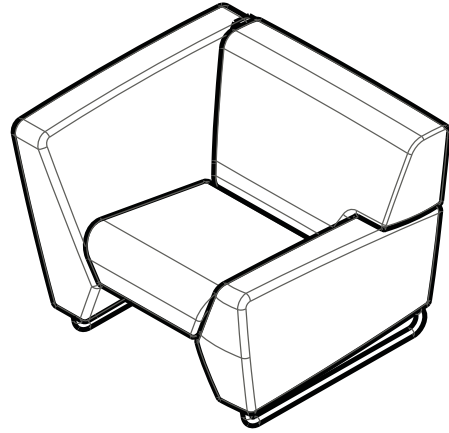
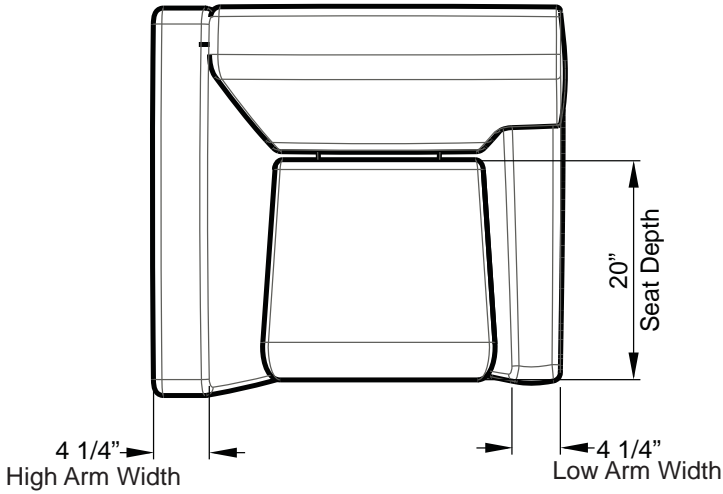
INFORMATION

Warranty

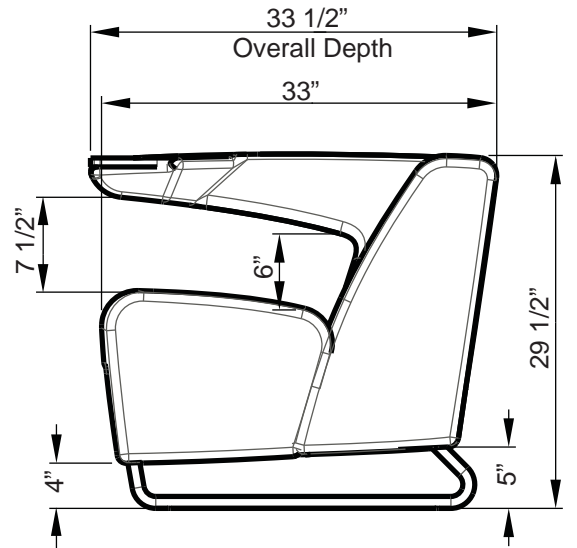
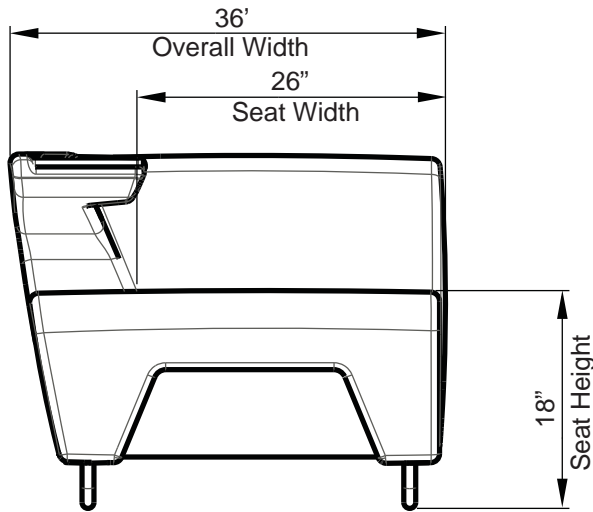
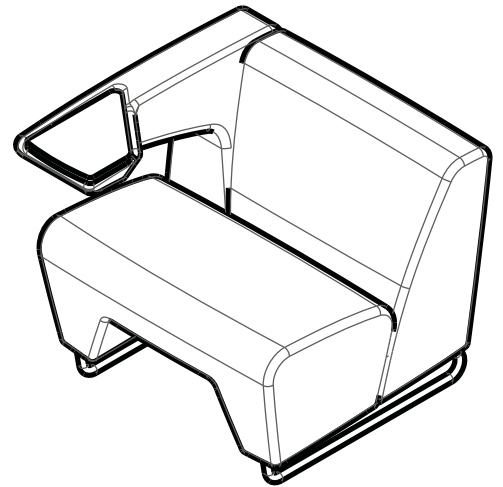
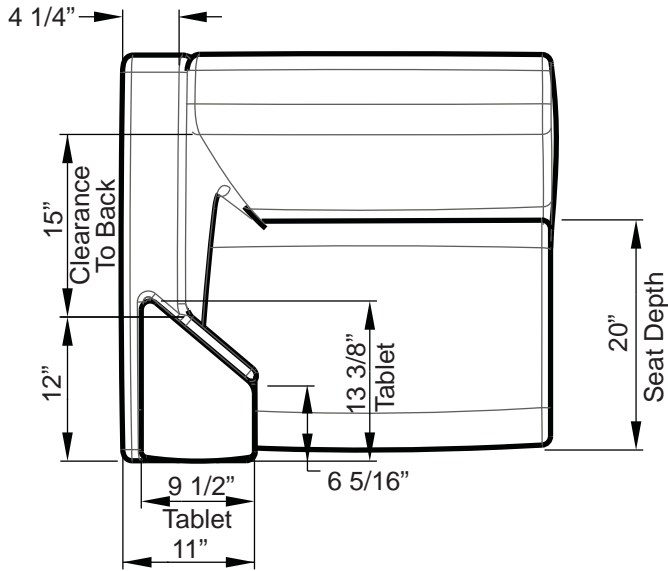
Refer to KI Terms & Conditions document or visit ki.com.

MyWay™ Lobby and Lounge Seating

Typicals



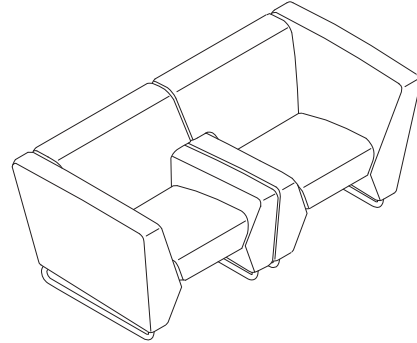
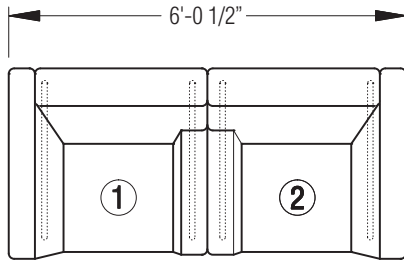
Model MYHL



Model MYWN

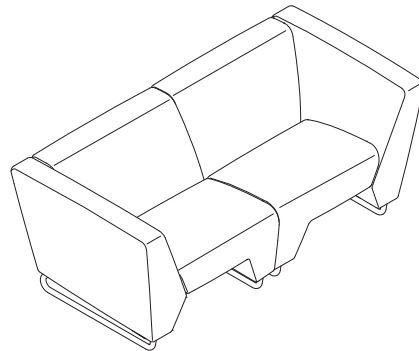
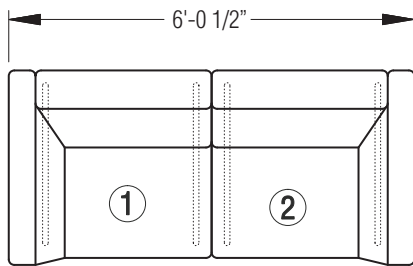
MyWay™ Lobby and Lounge Seating

Typicals



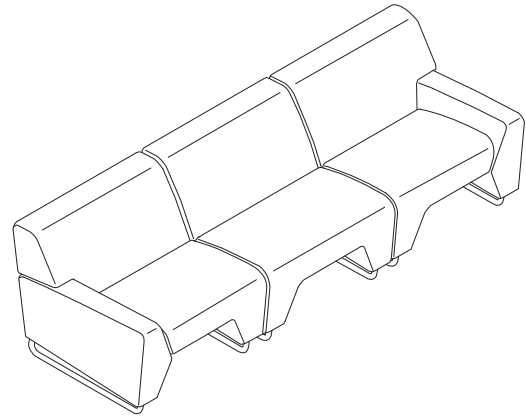
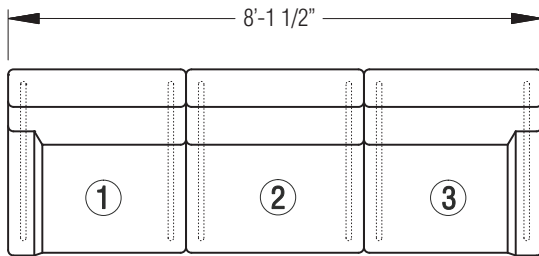
ITEM	QTY	MODEL
1	1	MYHL
2	1	MYLH

Two Seat - Low Arm/High Arm Configuration



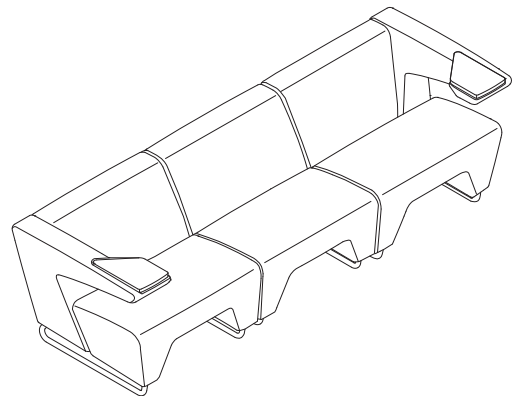
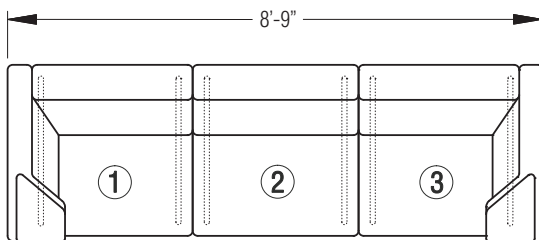
ITEM	QTY	MODEL
1	1	MYHN
2	1	MYNH

Two Seat - No Arm/High Arm Configuration



ITEM	QTY	MODEL
1	1	MYLN
2	1	MYNN
3	1	MYNL

Three Seat - Low Arm/No Arm Configuration

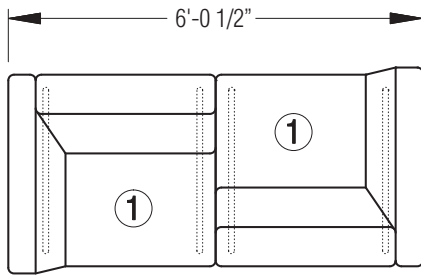


ITEM	QTY	MODEL
1	1	MYWN
2	1	MYNN
3	1	MYNW

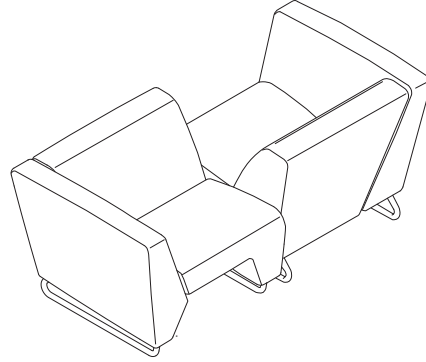
Three Seat - Work Arm/No Arm Configuration

MyWay™ Lobby and Lounge Seating

Typicals



ITEM	QTY	MODEL
1	2	MYHN

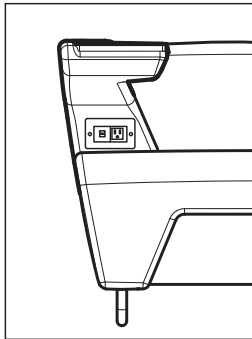


Two Seat - No Arm/High Arm Configuration

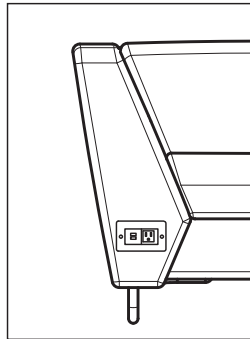


MyWay's Optional Power Locations

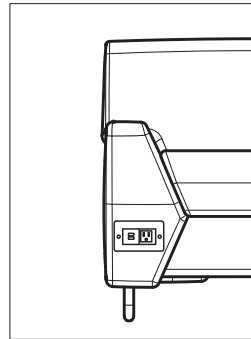
Work Arm



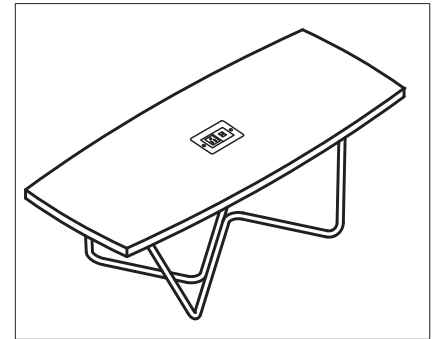
High Arm



Low Arm



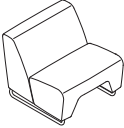

Coffee Table



*Power can be specified on either the left-facing side, or the right-facing side of MyWay Lounge chairs. (Left-facing side power shown in images above)

MyWay™

Lobby and Lounge Seating

				MODEL NUMBER							
MODEL	Features	COM	Basic Model	Non-Contrast or Fabric Contrast 1	Base Finish	Ganging Option	Glide Option	Moisture Barrier			
 <p>MYN1</p>	No Arm Sled Base Lounge	Non-contrast 4 yd	MYNN/NC	□□□□	□□	□□□	□□	□□□			
 <p>MYN1</p>	No Arm 4-Leg Lounge	Non-contrast 4 yd	MYNN4L/NC	□□□□		□□□		□□□			

A **B** **C** **D** **E** **F**

HOW TO ORDER

Indicate the following information on order form:

- Quantity of each item.
- Model number, including options. See "How To Build a Model Number".
- Any special service required.

Note: • The indicates that a choice is required.

- The absence of the indicates that no choice is required.
- Alpha-numeric characters in place of indicate that no other alternatives are available.

HOW TO BUILD A MODEL NUMBER

See pricing column for moisture barrier upcharge.

- A** Select basic model.
- B** Select non-contrast or fabric contrast 1. Refer to color addendum at ki.com or KI Fabrics & Finishes binder.
- C** Select base finish color. Refer to color addendum at ki.com or KI Fabrics & Finishes binder.
- D** Select ganging option.

HNG	- No gangers
HWG	- Ganging; add \$50

 Two ganging assemblies shipped per unit.
- E** Select glide option.

NGL	- No glides
GNY	- Nylon glides (cream color); add \$5
- F** Select moisture barrier.

NMB	- No moisture barrier
MB	- Moisture barrier



Approx. Packaged Weight	Grade C.O.M.	Grade C	Grade D	Grade E & C.O.L.	Grade F	Grade G	Grade H	Grade I	Grade J	Grade K	Grade L Leather	Grade M Leather	Moisture Barrier add to list price
80.0#	\$ 1435	\$ 1565	\$ 1599	\$ 1640	\$ 1668	\$ 1723	\$ 1778	\$ 1847	\$ 1984	\$ 2122	\$ 2260	\$ 2535	\$ 140
80.0#	\$ 1668	\$ 1798	\$ 1832	\$ 1874	\$ 1901	\$ 1956	\$ 2012	\$ 2081	\$ 2218	\$ 2356	\$ 2494	\$ 2768	\$ 140

NOTE

Base Finish

4-leg lounge base finish is polished aluminum.

Ganging

Only Low Arm to Low Arm, No Arm to No Arm, and No Arm to Low Arm sides will gang together. Work Arm and High Arm sides cannot gang.

INFORMATION

C.O.M. Requirements

C.O.M. yardage requirements listed above are based on plain goods 54" wide. If less than 54" wide or fabrics requiring matching (stripes, plaids, prints, large patterns), additional yardage will be needed. Consult C.O.M. matrix on the Ordering C.O.M. and C.O.L. page for additional yardage needed. For C.O.M. fabric sent to KI-High Point on multiple rolls, add an additional yard of

fabric per roll to the yardage requirements.

C.O.L. Requirements

Figure 18 sq. ft. of leather (C.O.L.) for each yard shown (i.e., 4.75 x 18 = 85.5 sq. ft.).

Contrasting Upholstery

When contrasting fabric is chosen, price at highest in-grade.

Minimum Fabric/Leather Quantity

Minimum order for fabric is 1 yard. Minimum order for leather is 1 hide (approximately 50 sq. ft.).

California TB133 Fire Safety Code

The above seating products can be manufactured as a Special Cost Request using the appropriate flame-retardant materials and fabric selections for compliance to California Technical Bulletin 133. Please contact KI customer service for fabric compliance. Not available with moisture barrier.

Model	
MYNN	\$197
MYNN4L	\$197

SPECIAL SERVICES

Special Carton Marking

With specially marked information N/C

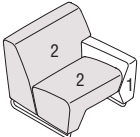
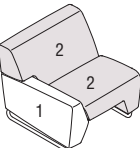
Shipping

Shipped **assembled freight prepaid f.o.b. High Point, North Carolina 27263** factory. Freight class #175.

Specifications and prices are subject to change without prior notice.

MyWay™

Lobby and Lounge Seating

			MODEL NUMBER									
Features	COM	Basic Model	Non-Contrast or Fabric Contrast 1	Fabric Contrast 2	Base Finish	Cup Holder	Glide Option	Power Option	Power Location	Ganging Option	Moisture Barrier	
 <p>MYL2 Left Facing No Arm/ Right Facing Low Arm Sled Base Lounge</p> <ul style="list-style-type: none"> 1 = Arm (Fabric Contrast 1) C.O.M. = 1.5 yd 2 = Seat and back (Fabric Contrast 2) C.O.M. = 3.25 yd 	Non-contrast	4.75 yd	MYNL/NC	<input type="checkbox"/> <input type="checkbox"/> <input type="checkbox"/> <input type="checkbox"/>		<input type="checkbox"/>	<input type="checkbox"/> <input type="checkbox"/> <input type="checkbox"/>	<input type="checkbox"/>	<input type="checkbox"/> <input type="checkbox"/> <input type="checkbox"/>	RFP	<input type="checkbox"/> <input type="checkbox"/> <input type="checkbox"/>	<input type="checkbox"/> <input type="checkbox"/> <input type="checkbox"/>
	Contrast		MYNL/FC	<input type="checkbox"/> <input type="checkbox"/> <input type="checkbox"/> <input type="checkbox"/>	<input type="checkbox"/> <input type="checkbox"/> <input type="checkbox"/> <input type="checkbox"/>	<input type="checkbox"/>	<input type="checkbox"/> <input type="checkbox"/> <input type="checkbox"/>	<input type="checkbox"/>	<input type="checkbox"/> <input type="checkbox"/> <input type="checkbox"/>	RFP	<input type="checkbox"/> <input type="checkbox"/> <input type="checkbox"/>	<input type="checkbox"/> <input type="checkbox"/> <input type="checkbox"/>
 <p>MYL2 Left Facing Low Arm/ Right Facing No Arm Sled Base Lounge</p> <ul style="list-style-type: none"> 1 = Arm (Fabric Contrast 1) C.O.M. = 1.5 yd 2 = Seat and back (Fabric Contrast 2) C.O.M. = 3.25 yd 	Non-contrast	4.75 yd	MYLN/NC	<input type="checkbox"/> <input type="checkbox"/> <input type="checkbox"/> <input type="checkbox"/>		<input type="checkbox"/>	<input type="checkbox"/> <input type="checkbox"/> <input type="checkbox"/>	<input type="checkbox"/>	<input type="checkbox"/> <input type="checkbox"/> <input type="checkbox"/>	LFP	<input type="checkbox"/> <input type="checkbox"/> <input type="checkbox"/>	<input type="checkbox"/> <input type="checkbox"/> <input type="checkbox"/>
	Contrast		MYLN/FC	<input type="checkbox"/> <input type="checkbox"/> <input type="checkbox"/> <input type="checkbox"/>	<input type="checkbox"/> <input type="checkbox"/> <input type="checkbox"/> <input type="checkbox"/>	<input type="checkbox"/>	<input type="checkbox"/> <input type="checkbox"/> <input type="checkbox"/>	<input type="checkbox"/>	<input type="checkbox"/> <input type="checkbox"/> <input type="checkbox"/>	LFP	<input type="checkbox"/> <input type="checkbox"/> <input type="checkbox"/>	<input type="checkbox"/> <input type="checkbox"/> <input type="checkbox"/>
			A	B	C	D	E	F	G	H	I	J

HOW TO ORDER

Indicate the following information on order form:

- Quantity of each item.
- Model number, including options. See "How To Build a Model Number".
- Any special service required.

Note: • The indicates that a choice is required.

- The absence of the indicates that no choice is required.
- Alpha-numeric characters in place of indicate that no other alternatives are available.

HOW TO BUILD A MODEL NUMBER

- A** Select basic model.
- B** Select non-contrast or fabric contrast 1. Refer to color addendum at ki.com or KI Fabrics & Finishes binder.
- C** Select fabric contrast 2. Refer to color addendum at ki.com or KI Fabrics & Finishes binder.
- D** Select base finish color. Refer to color addendum at ki.com or KI Fabrics & Finishes binder.
- E** Select cup holder option.
 - MNCH** - No cup holder
 - MWLC** - Left facing cup holder; add \$160
 - MWRC** - Right facing cup holder; add \$160
 Cup holder is available on Low Arm only.
- F** Select glide option.

- NGL** - No glides
- GNY** - Nylon glides (cream color); add \$5

- G** Select power option.
 - NP** - No power
 - MPB** - Black power module; add \$239
 - MPS** - Silver power module; add \$239
 - MPW** - White power module; add \$239

- H** Select location of power.
 - LFP** - Left facing power
 - RFP** - Right facing power
 No location selection is needed if No Power (NP) is selected.

- I** Select ganging option.
 - HNG** - No gangers
 - HWG** - Ganging; add \$50
 Two ganging assemblies shipped per unit.

- J** Select moisture barrier.

- NMB** - No moisture barrier
 - MB** - Moisture barrier
- See pricing column for moisture barrier upcharge.



Approx. Packaged Weight	Grade C.O.M.	Grade C	Grade D	Grade E & C.O.L.	Grade F	Grade G	Grade H	Grade I	Grade J	Grade K	Grade L Leather	Grade M Leather	Moisture Barrier add to list price
90.0#	\$ 1572	\$ 1722	\$ 1761	\$ 1809	\$ 1840	\$ 1902	\$ 1966	\$ 2045	\$ 2201	\$ 2359	\$ 2515	\$ 2830	\$ 145
90.0#	1630	1780	1819	1867	1898	1960	2024	2102	2260	2416	2574	2889	145

NOTE

Ganging

Only Low Arm to Low Arm, No Arm to No Arm, and No Arm to Low Arm sides will gang together. Work Arm and High Arm sides cannot gang.

INFORMATION

C.O.M. Requirements

C.O.M. yardage requirements listed above are based on plain goods 54" wide. If less than 54" wide or fabrics requiring matching (stripes, plaids, prints, large patterns), additional yardage will be needed. Consult C.O.M. matrix on the Ordering C.O.M. and C.O.L. page for additional yardage needed. For C.O.M. fabric sent to KI-High Point on multiple rolls, add an additional yard of fabric per roll to the yardage requirements.

C.O.L. Requirements

Figure 18 sq. ft. of leather (C.O.L.) for each yard shown (i.e., 4.75 x 18 = 85.5 sq. ft.).

Contrasting Upholstery

When contrasting fabric is chosen, price at highest in-grade.

Minimum Fabric/Leather Quantity

Minimum order for fabric is 1 yard. Minimum order for leather is 1 hide (approximately 50 sq. ft.).

California TB133 Fire Safety Code

The above seating products can be manufactured as a Special Cost Request using the appropriate flame-retardant materials and fabric selections for compliance to California Technical Bulletin 133. Please contact KI customer service for fabric compliance. Not available with moisture barrier.

Model	
MYNL	\$212
MYLN	\$212
MYNL4L	\$212
MYLN4L	\$212

SPECIAL SERVICES

Special Carton Marking

With specially marked information N/C

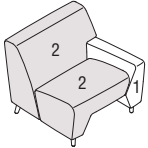
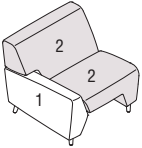
Shipping

Shipped **assembled freight prepaid f.o.b. High Point, North Carolina 27263** factory. Freight class #175.

Specifications and prices are subject to change without prior notice.

MyWay™

Lobby and Lounge Seating

			MODEL NUMBER							
Features	COM	Basic Model	Non-Contrast or Fabric Contrast 1	Fabric Contrast 2	Cup Holder	Power Option	Power Location	Ganging Option	Moisture Barrier	
	Non-contrast	4.75 yd	MYNL4L/NC	<input type="checkbox"/> <input type="checkbox"/> <input type="checkbox"/> <input type="checkbox"/>		<input type="checkbox"/> <input type="checkbox"/>	<input type="checkbox"/> <input type="checkbox"/>	RFP	<input type="checkbox"/> <input type="checkbox"/>	<input type="checkbox"/> <input type="checkbox"/>
	Contrast		MYNL4L/FC	<input type="checkbox"/> <input type="checkbox"/> <input type="checkbox"/> <input type="checkbox"/>	<input type="checkbox"/> <input type="checkbox"/> <input type="checkbox"/> <input type="checkbox"/>	<input type="checkbox"/> <input type="checkbox"/>	<input type="checkbox"/> <input type="checkbox"/>	RFP	<input type="checkbox"/> <input type="checkbox"/>	<input type="checkbox"/> <input type="checkbox"/>
<p>MYL2</p> <p>Left Facing No Arm/ Right Facing Low Arm 4-Leg Lounge</p> <ul style="list-style-type: none"> • 1 = Arm (Fabric Contrast 1) C.O.M. = 1.5 yd • 2 = Seat and back (Fabric Contrast 2) C.O.M. = 3.25 yd 										
	Non-contrast	4.75 yd	MYLN4L/NC	<input type="checkbox"/> <input type="checkbox"/> <input type="checkbox"/> <input type="checkbox"/>		<input type="checkbox"/> <input type="checkbox"/>	<input type="checkbox"/> <input type="checkbox"/>	LFP	<input type="checkbox"/> <input type="checkbox"/>	<input type="checkbox"/> <input type="checkbox"/>
	Contrast		MYLN4L/FC	<input type="checkbox"/> <input type="checkbox"/> <input type="checkbox"/> <input type="checkbox"/>	<input type="checkbox"/> <input type="checkbox"/> <input type="checkbox"/> <input type="checkbox"/>	<input type="checkbox"/> <input type="checkbox"/>	<input type="checkbox"/> <input type="checkbox"/>	LFP	<input type="checkbox"/> <input type="checkbox"/>	<input type="checkbox"/> <input type="checkbox"/>
<p>MYL2</p> <p>Left Facing Low Arm/ Right Facing No Arm 4-Leg Lounge</p> <ul style="list-style-type: none"> • 1 = Arm (Fabric Contrast 1) C.O.M. = 1.5 yd • 2 = Seat and back (Fabric Contrast 2) C.O.M. = 3.25 yd 										
			A	B	C	D	E	F	G	H

HOW TO ORDER

Indicate the following information on order form:

- Quantity of each item.
- Model number, including options. See "How To Build a Model Number".
- Any special service required.

Note: • The indicates that a choice is required.

- The absence of the indicates that no choice is required.
- Alpha-numeric characters in place of indicate that no other alternatives are available.

HOW TO BUILD A MODEL NUMBER

A Select basic model.

B Select non-contrast or fabric contrast 1. Refer to color addendum at ki.com or KI Fabrics & Finishes binder.

C Select fabric contrast 2. Refer to color addendum at ki.com or KI Fabrics & Finishes binder.

D Select cup holder option.

MNCH	- No cup holder
MWLC	- Left facing cup holder; add \$160
MWRC	- Right facing cup holder; add \$160

Cup holder is available on Low Arm only.

E Select power option.

NP	- No power
MPB	- Black power module; add \$239
MPS	- Silver power module; add

\$239

MPW	- White power module; add \$239
------------	---------------------------------

F Select location of power.

LFP	- Left facing power
RFP	- Right facing power

No location selection is needed if No Power (NP) is selected.

G Select ganging option.

HNG	- No gangers
HWG	- Ganging; add \$50

Two ganging assemblies shipped per unit.

H Select moisture barrier.

NMB	- No moisture barrier
MB	- Moisture barrier

See pricing column for moisture barrier upcharge.



Approx. Packaged Weight	Grade C.O.M.	Grade C	Grade D	Grade E & C.O.L.	Grade F	Grade G	Grade H	Grade I	Grade J	Grade K	Grade L Leather	Grade M Leather	Moisture Barrier add to list price
90.0#	\$ 1806	\$ 1955	\$ 1994	\$ 2042	\$ 2073	\$ 2135	\$ 2199	\$ 2277	\$ 2435	\$ 2591	\$ 2749	\$ 3064	\$ 145
90.0#	1864	2014	2053	2100	2131	2194	2258	2336	2494	2650	2807	3122	145

NOTE

Base Finish

4-leg lounge base finish is polished aluminum.

Ganging

Only Low Arm to Low Arm, No Arm to No Arm, and No Arm to Low Arm sides will gang together. Work Arm and High Arm sides cannot gang.

INFORMATION

C.O.M. Requirements

C.O.M. yardage requirements listed above are based on plain goods 54" wide. If less than 54" wide or fabrics requiring matching (stripes, plaids, prints, large patterns), additional yardage will be needed. Consult C.O.M. matrix on the Ordering C.O.M. and C.O.L. page for additional yardage needed. For C.O.M. fabric sent to KI-High Point on multiple rolls, add an additional yard of fabric per roll to the yardage requirements.

C.O.L. Requirements

Figure 18 sq. ft. of leather (C.O.L.) for each yard shown (i.e., 4.75 x 18 = 85.5 sq. ft.).

Contrasting Upholstery

When contrasting fabric is chosen, price at highest in-grade.

Minimum Fabric/Leather Quantity

Minimum order for fabric is 1 yard. Minimum order for leather is 1 hide (approx-

mately 50 sq. ft).

California TB133 Fire Safety Code

The above seating products can be manufactured as a Special Cost Request using the appropriate flame-retardant materials and fabric selections for compliance to California Technical Bulletin 133. Please contact KI customer service for fabric compliance. Not available with moisture barrier.

Model	
MYNL	\$212
MYLN	\$212
MYNL4L	\$212
MYLN4L	\$212

SPECIAL SERVICES

Special Carton Marking

With specially marked information N/C

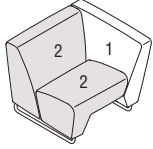
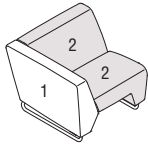
Shipping

Shipped **assembled freight prepaid f.o.b. High Point, North Carolina 27263** factory. Freight class #175.

Specifications and prices are subject to change without prior notice.

MyWay™

Lobby and Lounge Seating

			MODEL NUMBER								
Features	COM	Basic Model	Non-Contrast or Fabric Contrast 1	Fabric Contrast 2	Base Finish	Glide Option	Power Option	Power Location	Ganging Option	Moisture Barrier	
 <p>MYN2 Left Facing No Arm/ Right Facing High Arm Sled Base Lounge</p> <ul style="list-style-type: none"> 1 = Arm (Fabric Contrast 1) C.O.M. = 2.5 yd 2 = Seat and back (Fabric Contrast 2) C.O.M. = 3 yd 	Non-contrast	5.25 yd	MYNH/NC	<input type="checkbox"/> <input type="checkbox"/> <input type="checkbox"/> <input type="checkbox"/>		<input type="checkbox"/> <input type="checkbox"/>	<input type="checkbox"/> <input type="checkbox"/>	<input type="checkbox"/> <input type="checkbox"/> <input type="checkbox"/>	RFP	<input type="checkbox"/> <input type="checkbox"/> <input type="checkbox"/>	<input type="checkbox"/> <input type="checkbox"/> <input type="checkbox"/>
	Contrast		MYNH/FC	<input type="checkbox"/> <input type="checkbox"/> <input type="checkbox"/> <input type="checkbox"/>	<input type="checkbox"/> <input type="checkbox"/> <input type="checkbox"/> <input type="checkbox"/>	<input type="checkbox"/> <input type="checkbox"/>	<input type="checkbox"/> <input type="checkbox"/>	<input type="checkbox"/> <input type="checkbox"/> <input type="checkbox"/>	RFP	<input type="checkbox"/> <input type="checkbox"/> <input type="checkbox"/>	<input type="checkbox"/> <input type="checkbox"/> <input type="checkbox"/>
 <p>MYN2 Left Facing High Arm/ Right Facing No Arm Sled Base Lounge</p> <ul style="list-style-type: none"> 1 = Arm (Fabric Contrast 1) C.O.M. = 2.5 yd 2 = Seat and back (Fabric Contrast 2) C.O.M. = 3 yd 	Non-contrast	5.25 yd	MYHN/NC	<input type="checkbox"/> <input type="checkbox"/> <input type="checkbox"/> <input type="checkbox"/>		<input type="checkbox"/> <input type="checkbox"/>	<input type="checkbox"/> <input type="checkbox"/>	<input type="checkbox"/> <input type="checkbox"/> <input type="checkbox"/>	LFP	<input type="checkbox"/> <input type="checkbox"/> <input type="checkbox"/>	<input type="checkbox"/> <input type="checkbox"/> <input type="checkbox"/>
	Contrast		MYHN/FC	<input type="checkbox"/> <input type="checkbox"/> <input type="checkbox"/> <input type="checkbox"/>	<input type="checkbox"/> <input type="checkbox"/> <input type="checkbox"/> <input type="checkbox"/>	<input type="checkbox"/> <input type="checkbox"/>	<input type="checkbox"/> <input type="checkbox"/>	<input type="checkbox"/> <input type="checkbox"/> <input type="checkbox"/>	LFP	<input type="checkbox"/> <input type="checkbox"/> <input type="checkbox"/>	<input type="checkbox"/> <input type="checkbox"/> <input type="checkbox"/>
			A	B	C	D	E	F	G	H	I

HOW TO ORDER

Indicate the following information on order form:

- Quantity of each item.
- Model number, including options. See "How To Build a Model Number".
- Any special service required.

Note: • The indicates that a choice is required.

- The absence of the indicates that no choice is required.
- Alpha-numeric characters in place of indicate that no other alternatives are available.

HOW TO BUILD A MODEL NUMBER

- A** Select basic model.
- B** Select non-contrast or fabric contrast 1. Refer to color addendum at ki.com or KI Fabrics & Finishes binder.
- C** Select fabric contrast 2. Refer to color addendum at ki.com or KI Fabrics & Finishes binder.
- D** Select base finish color. Refer to color addendum at ki.com or KI Fabrics & Finishes binder.
- E** Select glide option.
 - NGL** - No glides
 - GNY** - Nylon glides (cream color); add \$5
- F** Select power option.
 - NP** - No power
 - MPB** - Black power module; add \$239

- MPS** - Silver power module; add \$239
- MPW** - White power module; add \$239

- G** Select location of power.
 - LFP** - Left facing power
 - RFP** - Right facing power
 No location selection is needed if No Power (NP) is selected.

- H** Select ganging option.
 - HNG** - No gangers
 - HWG** - Ganging; add \$50
 Two ganging assemblies shipped per unit.

- I** Select moisture barrier.
 - NMB** - No moisture barrier
 - MB** - Moisture barrier
 See pricing column for moisture barrier upcharge.



Approx. Packaged Weight	Grade C.O.M.	Grade C	Grade D	Grade E & C.O.L.	Grade F	Grade G	Grade H	Grade I	Grade J	Grade K	Grade L Leather	Grade M Leather	Moisture Barrier add to list price
105.0#	\$ 1724	\$ 1891	\$ 1936	\$ 1989	\$ 2024	\$ 2095	\$ 2165	\$ 2255	\$ 2431	\$ 2608	\$ 2785	\$ 3138	\$ 148
105.0#	1782	1950	1994	2048	2083	2154	2224	2312	2488	2666	2843	3196	148

NOTE

Ganging

Only Low Arm to Low Arm, No Arm to No Arm, and No Arm to Low Arm sides will gang together. Work Arm and High Arm sides cannot gang.

INFORMATION

C.O.M. Requirements

C.O.M. yardage requirements listed above are based on plain goods 54" wide. If less than 54" wide or fabrics requiring matching (stripes, plaids, prints, large patterns), additional yardage will be needed. Consult C.O.M. matrix on the Ordering C.O.M. and C.O.L. page for additional yardage needed. For C.O.M. fabric sent to KI-High Point on multiple rolls, add an additional yard of fabric per roll to the yardage requirements.

C.O.L. Requirements

Figure 18 sq. ft. of leather (C.O.L.) for each

yard shown (i.e., 4.75 x 18 = 85.5 sq. ft.).

Contrasting Upholstery

When contrasting fabric is chosen, price at highest in-grade.

Minimum Fabric/Leather Quantity

Minimum order for fabric is 1 yard. Minimum order for leather is 1 hide (approximately 50 sq. ft.).

California TB133 Fire Safety Code

The above seating products can be manufactured as a Special Cost Request using the appropriate flame-retardant materials and fabric selections for compliance to California Technical Bulletin 133. Please contact KI customer service for fabric compliance. Not available with moisture barrier.

Model	
MYNH	\$217
MYHN	\$217
MYNH4L	\$217
MYHN4L	\$217

SPECIAL SERVICES

Special Carton Marking

With specially marked information N/C

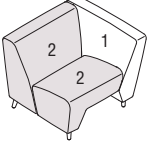
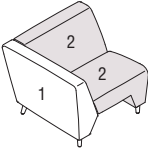
Shipping

Shipped assembled freight prepaid f.o.b. High Point, North Carolina 27263 factory. Freight class #175.

Specifications and prices are subject to change without prior notice.

MyWay™

Lobby and Lounge Seating

	Features	COM	MODEL NUMBER							Approx. Packaged Weight
			Basic Model	Non-Contrast or Fabric Contrast 1	Fabric Contrast 2	Power Option	Power Location	Ganging Option	Moisture Barrier	
 <p>MYN2 Left Facing No Arm/ Right Facing High Arm 4-Leg Lounge</p> <ul style="list-style-type: none"> • 1 = Arm (Fabric Contrast 1) C.O.M. = 2.5 yd • 2 = Seat and back (Fabric Contrast 2) C.O.M. = 3 yd 	Non-contrast	5.25 yd	MYNH4L/NC	<input type="checkbox"/> <input type="checkbox"/> <input type="checkbox"/> <input type="checkbox"/>		<input type="checkbox"/> <input type="checkbox"/>	RFP	<input type="checkbox"/> <input type="checkbox"/> <input type="checkbox"/>	<input type="checkbox"/> <input type="checkbox"/> <input type="checkbox"/>	105.0#
	Contrast		MYNH4L/FC	<input type="checkbox"/> <input type="checkbox"/> <input type="checkbox"/> <input type="checkbox"/>	<input type="checkbox"/> <input type="checkbox"/> <input type="checkbox"/> <input type="checkbox"/>	<input type="checkbox"/> <input type="checkbox"/>	RFP	<input type="checkbox"/> <input type="checkbox"/> <input type="checkbox"/>	<input type="checkbox"/> <input type="checkbox"/> <input type="checkbox"/>	105.0#
 <p>MYN2 Left Facing High Arm/ Right Facing No Arm 4-Leg Lounge</p> <ul style="list-style-type: none"> • 1 = Arm (Fabric Contrast 1) C.O.M. = 2.5 yd • 2 = Seat and back (Fabric Contrast 2) C.O.M. = 3 yd 	Non-contrast	5.25 yd	MYHN4L/NC	<input type="checkbox"/> <input type="checkbox"/> <input type="checkbox"/> <input type="checkbox"/>		<input type="checkbox"/> <input type="checkbox"/>	LFP	<input type="checkbox"/> <input type="checkbox"/> <input type="checkbox"/>	<input type="checkbox"/> <input type="checkbox"/> <input type="checkbox"/>	105.0#
	Contrast		MYHN4L/FC	<input type="checkbox"/> <input type="checkbox"/> <input type="checkbox"/> <input type="checkbox"/>	<input type="checkbox"/> <input type="checkbox"/> <input type="checkbox"/> <input type="checkbox"/>	<input type="checkbox"/> <input type="checkbox"/>	LFP	<input type="checkbox"/> <input type="checkbox"/> <input type="checkbox"/>	<input type="checkbox"/> <input type="checkbox"/> <input type="checkbox"/>	105.0#
				A	B	C	D	E	F	G

HOW TO ORDER

Indicate the following information on order form:

1. Quantity of each item.
2. Model number, including options. See "How To Build a Model Number".
3. Any special service required.

Note: • The indicates that a choice is required.

- The absence of the indicates that no choice is required.
- Alpha-numeric characters in place of indicate that no other alternatives are available.

HOW TO BUILD A MODEL NUMBER

- A** Select basic model.
- B** Select non-contrast or fabric contrast 1. Refer to color addendum at ki.com or KI Fabrics & Finishes binder.
- C** Select fabric contrast 2. Refer to color addendum at ki.com or KI Fabrics & Finishes binder.
- D** Select power option.
 - NP** - No power
 - MPB** - Black power module; add \$239
 - MPS** - Silver power module; add \$239
 - MPW** - White power module; add \$239
- E** Select location of power.
 - LFP** - Left facing power
 - RFP** - Right facing power
 No location selection is needed if No

Power (NP) is selected.

- F** Select ganging option.
 - HNG** - No gangers
 - HWG** - Ganging; add \$50
 Two ganging assemblies shipped per unit.
- G** Select moisture barrier.
 - NMB** - No moisture barrier
 - MB** - Moisture barrier
 See pricing column for moisture barrier upcharge.



Grade C.O.M.	Grade C	Grade D	Grade E & C.O.L.	Grade F	Grade G	Grade H	Grade I	Grade J	Grade K	Grade L Leather	Grade M Leather	Moisture Barrier add to list price
\$ 1957	\$ 2125	\$ 2169	\$ 2223	\$ 2258	\$ 2329	\$ 2399	\$ 2487	\$ 2664	\$ 2841	\$ 3018	\$ 3371	\$ 148
2016	2184	2228	2281	2315	2388	2457	2546	2722	2899	3077	3430	148

\$ 1957	\$ 2125	\$ 2169	\$ 2223	\$ 2258	\$ 2329	\$ 2399	\$ 2487	\$ 2664	\$ 2841	\$ 3018	\$ 3371	\$ 148
2016	2184	2228	2281	2315	2388	2457	2546	2722	2899	3077	3430	148

NOTE

Base Finish

4-leg lounge base finish is polished aluminum.

Ganging

Only Low Arm to Low Arm, No Arm to No Arm, and No Arm to Low Arm sides will gang together. Work Arm and High Arm sides cannot gang.

INFORMATION

C.O.M. Requirements

C.O.M. yardage requirements listed above are based on plain goods 54" wide. If less than 54" wide or fabrics requiring matching (stripes, plaids, prints, large patterns), additional yardage will be needed. Consult C.O.M. matrix on the Ordering C.O.M. and C.O.L. page for additional yardage needed. For C.O.M. fabric sent to KI-High Point on multiple rolls, add an additional yard of fabric per roll to the yardage requirements.

C.O.L. Requirements

Figure 18 sq. ft. of leather (C.O.L.) for each yard shown (i.e., 4.75 x 18 = 85.5 sq. ft.).

Contrasting Upholstery

When contrasting fabric is chosen, price at highest in-grade.

Minimum Fabric/Leather Quantity

Minimum order for fabric is 1 yard. Minimum order for leather is 1 hide (approx-

mately 50 sq. ft).

California TB133 Fire Safety Code

The above seating products can be manufactured as a Special Cost Request using the appropriate flame-retardant materials and fabric selections for compliance to California Technical Bulletin 133. Please contact KI customer service for fabric compliance. Not available with moisture barrier.

Model	
MYNH	\$217
MYHN	\$217
MYNH4L	\$217
MYHN4L	\$217

SPECIAL SERVICES

Special Carton Marking

With specially marked information N/C

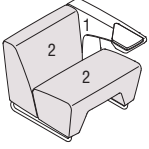
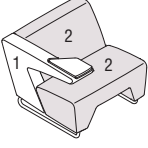
Shipping

Shipped **assembled freight prepaid f.o.b. High Point, North Carolina 27263** factory. Freight class #175.

Specifications and prices are subject to change without prior notice.

MyWay™

Lobby and Lounge Seating

			MODEL NUMBER									
Features	COM	Basic Model	Non-Contrast or Fabric Contrast 1	Fabric Contrast 2	Base Finish	Glide Option	Lam Clr	Power Option	Power Location	Ganging Option	Moisture Barrier	
 <p>MYN3 Left Facing No Arm/ Right Facing Work Arm Sled Base Lounge</p> <ul style="list-style-type: none"> 1 = Arm (Fabric Contrast 1) C.O.M. = 2 yd 2 = Seat and back (Fabric Contrast 2) C.O.M. = 3.25 yd 	Non-contrast	5 yd	MYNW/NC	<input type="checkbox"/> <input type="checkbox"/> <input type="checkbox"/> <input type="checkbox"/>		<input type="checkbox"/> <input type="checkbox"/>	<input type="checkbox"/> <input type="checkbox"/>	<input type="checkbox"/> <input type="checkbox"/> <input type="checkbox"/> <input type="checkbox"/>	<input type="checkbox"/> <input type="checkbox"/> <input type="checkbox"/> <input type="checkbox"/>	RFP	<input type="checkbox"/> <input type="checkbox"/> <input type="checkbox"/> <input type="checkbox"/>	<input type="checkbox"/> <input type="checkbox"/> <input type="checkbox"/> <input type="checkbox"/>
	Contrast		MYNW/FC	<input type="checkbox"/> <input type="checkbox"/> <input type="checkbox"/> <input type="checkbox"/>	<input type="checkbox"/> <input type="checkbox"/> <input type="checkbox"/> <input type="checkbox"/>	<input type="checkbox"/> <input type="checkbox"/>	<input type="checkbox"/> <input type="checkbox"/>	<input type="checkbox"/> <input type="checkbox"/> <input type="checkbox"/> <input type="checkbox"/>	<input type="checkbox"/> <input type="checkbox"/> <input type="checkbox"/> <input type="checkbox"/>	RFP	<input type="checkbox"/> <input type="checkbox"/> <input type="checkbox"/> <input type="checkbox"/>	<input type="checkbox"/> <input type="checkbox"/> <input type="checkbox"/> <input type="checkbox"/>
 <p>MYN3 Left Facing Work Arm/ Right Facing No Arm Sled Base Lounge</p> <ul style="list-style-type: none"> 1 = Arm (Fabric Contrast 1) C.O.M. = 2 yd 2 = Seat and back (Fabric Contrast 2) C.O.M. = 3.25 yd 	Non-contrast	5 yd	MYWN/NC	<input type="checkbox"/> <input type="checkbox"/> <input type="checkbox"/> <input type="checkbox"/>		<input type="checkbox"/> <input type="checkbox"/>	<input type="checkbox"/> <input type="checkbox"/>	<input type="checkbox"/> <input type="checkbox"/> <input type="checkbox"/> <input type="checkbox"/>	LFP	<input type="checkbox"/> <input type="checkbox"/> <input type="checkbox"/> <input type="checkbox"/>	<input type="checkbox"/> <input type="checkbox"/> <input type="checkbox"/> <input type="checkbox"/>	
	Contrast		MYWN/FC	<input type="checkbox"/> <input type="checkbox"/> <input type="checkbox"/> <input type="checkbox"/>	<input type="checkbox"/> <input type="checkbox"/> <input type="checkbox"/> <input type="checkbox"/>	<input type="checkbox"/> <input type="checkbox"/>	<input type="checkbox"/> <input type="checkbox"/>	<input type="checkbox"/> <input type="checkbox"/> <input type="checkbox"/> <input type="checkbox"/>	<input type="checkbox"/> <input type="checkbox"/> <input type="checkbox"/> <input type="checkbox"/>	LFP	<input type="checkbox"/> <input type="checkbox"/> <input type="checkbox"/> <input type="checkbox"/>	<input type="checkbox"/> <input type="checkbox"/> <input type="checkbox"/> <input type="checkbox"/>
			A	B	C	D	E	F	G	H	I	J

HOW TO ORDER

Indicate the following information on order form:

- Quantity of each item.
- Model number, including options. See "How To Build a Model Number".
- Any special service required.

Note: • The indicates that a choice is required.

- The absence of the indicates that no choice is required.
- Alpha-numeric characters in place of indicate that no other alternatives are available.

HOW TO BUILD A MODEL NUMBER

- A** Select basic model.
- B** Select non-contrast or fabric contrast 1. Refer to color addendum at ki.com or KI Fabrics & Finishes binder.
- C** Select fabric contrast 2. Refer to color addendum at ki.com or KI Fabrics & Finishes binder.
- D** Select base finish color. Refer to color addendum at ki.com or KI Fabrics & Finishes binder.
- E** Select glide option.
 - NGL** - No glides
 - GNY** - Nylon glides (cream color); add \$5
- F** Select laminate color. Refer to color addendum at ki.com or KI Fabrics & Finishes binder. Tablet edge finish is always Natural on

beech.

- G** Select power option.
 - NP** - No power
 - MPB** - Black power module; add \$239
 - MPS** - Silver power module; add \$239
 - MPW** - White power module; add \$239
- H** Select location of power.
 - RFP** - Right facing power
 - LFP** - Left facing power

No location selection is needed if No Power (NP) is selected.
- I** Select ganging option.
 - HNG** - No gangers
 - HWG** - Ganging; add \$50

Two ganging assemblies shipped per unit.
- J** Select moisture barrier.
 - NMB** - No moisture barrier
 - MB** - Moisture barrier

See pricing column for moisture barrier upcharge.



Approx. Packaged Weight	Grade C.O.M.	Grade C	Grade D	Grade E & C.O.L.	Grade F	Grade G	Grade H	Grade I	Grade J	Grade K	Grade L Leather	Grade M Leather	Moisture Barrier add to list price
110.0#	\$ 1701	\$ 1878	\$ 1924	\$ 1980	\$ 2018	\$ 2092	\$ 2167	\$ 2261	\$ 2447	\$ 2633	\$ 2820	\$ 3193	\$ 153
110.0#	1759	1936	1983	2038	2076	2151	2226	2320	2506	2691	2878	3252	153

110.0#	\$ 1701	\$ 1878	\$ 1924	\$ 1980	\$ 2018	\$ 2092	\$ 2167	\$ 2261	\$ 2447	\$ 2633	\$ 2820	\$ 3193	\$ 153
110.0#	1759	1936	1983	2038	2076	2151	2226	2320	2506	2691	2878	3252	153

NOTE

Ganging

Only Low Arm to Low Arm, No Arm to No Arm, and No Arm to Low Arm sides will gang together. Work Arm and High Arm sides cannot gang.

INFORMATION

C.O.M. Requirements

C.O.M. yardage requirements listed above are based on plain goods 54" wide. If less than 54" wide or fabrics requiring matching (stripes, plaids, prints, large patterns), additional yardage will be needed. Consult C.O.M. matrix on the Ordering C.O.M. and C.O.L. page for additional yardage needed. For C.O.M. fabric sent to KI-High Point on multiple rolls, add an additional yard of fabric per roll to the yardage requirements.

C.O.L. Requirements

Figure 18 sq. ft. of leather (C.O.L.) for each

yard shown (i.e., 4.75 x 18 = 85.5 sq. ft.).

Contrasting Upholstery

When contrasting fabric is chosen, price at highest in-grade.

Minimum Fabric/Leather Quantity

Minimum order for fabric is 1 yard. Minimum order for leather is 1 hide (approximately 50 sq. ft.).

California TB133 Fire Safety Code

The above seating products can be manufactured as a Special Cost Request using the appropriate flame-retardant materials and fabric selections for compliance to California Technical Bulletin 133. Please contact KI customer service for fabric compliance. Not available with moisture barrier.

Model	
MYNW	\$228
MYWN	\$228
MYNW4L	\$228
MYWN4L	\$228
MYLL	\$228
MYLL4L	\$228

SPECIAL SERVICES

Special Carton Marking

With specially marked information N/C

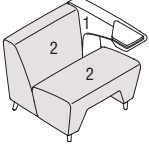
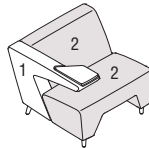
Shipping

Shipped **assembled freight prepaid f.o.b. High Point, North Carolina 27263** factory. Freight class #175.

Specifications and prices are subject to change without prior notice.

MyWay™

Lobby and Lounge Seating

			MODEL NUMBER								Approx. Packaged Weight
Features	COM	Basic Model	Non-Contrast or Fabric Contrast 1	Fabric Contrast 2	Lam Clr	Power Option	Power Location	Ganging Option	Moisture Barrier		
 <p>MYN3 Left Facing No Arm/ Right Facing Work Arm 4-Leg Lounge</p> <ul style="list-style-type: none"> 1 = Arm (Fabric Contrast 1) C.O.M. = 2 yd 2 = Seat and back (Fabric Contrast 2) C.O.M. = 3.25 yd 	Non-contrast	5 yd	MYNW4L/NC	□□□□		□□□	□□□	RFP	□□□	□□□	110.0#
	Contrast		MYNW4L/FC	□□□□	□□□□	□□□	□□□	RFP	□□□	□□□	110.0#
 <p>MYN3 Left Facing Work Arm/ Right Facing No Arm 4-Leg Lounge</p> <ul style="list-style-type: none"> 1 = Arm (Fabric Contrast 1) C.O.M. = 2 yd 2 = Seat and back (Fabric Contrast 2) C.O.M. = 3.25 yd 	Non-contrast	5 yd	MYWN4L/NC	□□□□		□□□	□□□	LFP	□□□		110.0#
	Contrast		MYWN4L/FC	□□□□	□□□□	□□□	□□□	LFP	□□□	□□□	110.0#
			A	B	C	D	E	F	G	H	

HOW TO ORDER

Indicate the following information on order form:

- Quantity of each item.
- Model number, including options. See "How To Build a Model Number".
- Any special service required.

Note: • The □ indicates that a choice is required.

- The absence of the □ indicates that no choice is required.
- Alpha-numeric characters in place of □ indicate that no other alternatives are available.

HOW TO BUILD A MODEL NUMBER

\$239

- A** Select basic model.
- B** Select non-contrast or fabric contrast 1. Refer to color addendum at ki.com or KI Fabrics & Finishes binder.
- C** Select fabric contrast 2. Refer to color addendum at ki.com or KI Fabrics & Finishes binder.
- D** Select laminate color. Refer to color addendum at ki.com or KI Fabrics & Finishes binder. Tablet edge finish is always Natural on beech.
- E** Select power option.

NP	- No power
MPB	- Black power module; add \$239
MPS	- Silver power module; add \$239
MPW	- White power module; add
- F** Select location of power.

RFP	- Right facing power
LFP	- Left facing power

 No location selection is needed if No Power (NP) is selected.
- G** Select ganging option.

HNG	- No gangers
HWG	- Ganging; add \$50

 Two ganging assemblies shipped per unit.
- H** Select moisture barrier.

NMB	- No moisture barrier
MB	- Moisture barrier

 See pricing column for moisture barrier upcharge.



Grade C.O.M.	Grade C	Grade D	Grade E & C.O.L.	Grade F	Grade G	Grade H	Grade I	Grade J	Grade K	Grade L Leather	Grade M Leather	Moisture Barrier add to list price
\$ 1934	\$ 2112	\$ 2158	\$ 2213	\$ 2252	\$ 2326	\$ 2401	\$ 2495	\$ 2681	\$ 2866	\$ 3053	\$ 3427	\$ 153
1992	2169	2217	2271	2309	2383	2460	2552	2739	2925	3112	3486	153

\$ 1934	\$ 2112	\$ 2158	\$ 2213	\$ 2252	\$ 2326	\$ 2401	\$ 2495	\$ 2681	\$ 2866	\$ 3053	\$ 3427	\$ 153
1992	2169	2217	2271	2309	2383	2460	2552	2739	2925	3112	3486	153

NOTE

Base Finish

4-leg lounge base finish is polished aluminum.

Ganging

Only Low Arm to Low Arm, No Arm to No Arm, and No Arm to Low Arm sides will gang together. Work Arm and High Arm sides cannot gang.

INFORMATION

C.O.M. Requirements

C.O.M. yardage requirements listed above are based on plain goods 54" wide. If less than 54" wide or fabrics requiring matching (stripes, plaids, prints, large patterns), additional yardage will be needed. Consult C.O.M. matrix on the Ordering C.O.M. and C.O.L. page for additional yardage needed. For C.O.M. fabric sent to KI-High Point on multiple rolls, add an additional yard of fabric per roll to the yardage requirements.

C.O.L. Requirements

Figure 18 sq. ft. of leather (C.O.L.) for each yard shown (i.e., 4.75 x 18 = 85.5 sq. ft.).

Contrasting Upholstery

When contrasting fabric is chosen, price at highest in-grade.

Minimum Fabric/Leather Quantity

Minimum order for fabric is 1 yard. Minimum order for leather is 1 hide (approx-

mately 50 sq. ft.).

California TB133 Fire Safety Code

The above seating products can be manufactured as a Special Cost Request using the appropriate flame-retardant materials and fabric selections for compliance to California Technical Bulletin 133. Please contact KI customer service for fabric compliance. Not available with moisture barrier.

Model	
MYNW	\$228
MYWN	\$228
MYNW4L	\$228
MYWN4L	\$228
MYLL	\$228
MYLL4L	\$228

SPECIAL SERVICES

Special Carton Marking

With specially marked information N/C

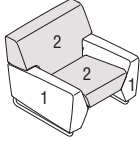
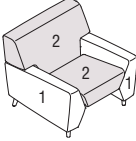
Shipping

Shipped **assembled freight prepaid f.o.b. High Point, North Carolina 27263** factory. Freight class #175.

Specifications and prices are subject to change without prior notice.

MyWay™

Lobby and Lounge Seating

			MODEL NUMBER									
Features	COM	Basic Model	Non-Contrast or Fabric Contrast 1	Fabric Contrast 2	Base Finish	Cup Holder	Glide Option	Power Option	Power Location	Ganging Option	Moisture Barrier	
 <p>MYL1 Low Arm Sled Base Lounge</p> <ul style="list-style-type: none"> 1 = Arms (Fabric Contrast 1) C.O.M. = 2.5 yd 2 = Seat and back (Fabric Contrast 2) C.O.M. = 3 yd 	Non-contrast	5.25 yd	MYLL/NC	□□□□		□□	□□□	□□	□□□	□□□	□□□	□□□
	Contrast		MYLL/FC	□□□□	□□□□	□□	□□□	□□	□□□	□□□	□□□	□□□
 <p>MYL1 Low Arm 4-Leg Lounge</p> <ul style="list-style-type: none"> 1 = Arms (Fabric Contrast 1) C.O.M. = 2.5 yd 2 = Seat and back (Fabric Contrast 2) C.O.M. = 3 yd 	Non-contrast	5.25 yd	MYLL4L/NC	□□□□		□□□		□□□	□□□	□□□	□□□	
	Contrast		MYLL4L/FC	□□□□	□□□□	□□□		□□□	□□□	□□□	□□□	□□□
			A	B	C	D	E	F	G	H	I	J

HOW TO ORDER

Indicate the following information on order form:

- Quantity of each item.
- Model number, including options. See "How To Build a Model Number".
- Any special service required.

Note: • The □ indicates that a choice is required.

- The absence of the □ indicates that no choice is required.
- Alpha-numeric characters in place of □ indicate that no other alternatives are available.

HOW TO BUILD A MODEL NUMBER

A Select basic model.

B Select non-contrast or fabric contrast 1. Refer to color addendum at ki.com or KI Fabrics & Finishes binder.

C Select fabric contrast 2. Refer to color addendum at ki.com or KI Fabrics & Finishes binder.

D Select base finish color. Refer to color addendum at ki.com or KI Fabrics & Finishes binder.

E Select cup holder option.

MNCH	- No cup holder
MWLC	- Left facing cup holder; add \$160
MWRC	- Right facing cup holder; add \$160

Cup holder is available on Low Arm only.

F Select glide option.

NGL - No glides
GNY - Nylon glides (cream color); add \$5

G Select power option.

NP	- No power
MPB	- Black power module; add \$239
MPS	- Silver power module; add \$239
MPW	- White power module; add \$239

H Select location of power.

LFP	- Left facing power
RFP	- Right facing power

No location selection is needed if No Power (NP) is selected.

I Select ganging option.

HNG	- No gangers
HWG	- Ganging; add \$50

Two ganging assemblies shipped per unit.

J Select moisture barrier.

NMB - No moisture barrier

MB - Moisture barrier

See pricing column for moisture barrier upcharge.



Approx. Packaged Weight	Grade C.O.M.	Grade C	Grade D	Grade E & C.O.L.	Grade F	Grade G	Grade H	Grade I	Grade J	Grade K	Grade L Leather	Grade M Leather	Moisture Barrier add to list price
100.0#	\$ 1589	\$ 1766	\$ 1813	\$ 1869	\$ 1907	\$ 1982	\$ 2056	\$ 2150	\$ 2336	\$ 2522	\$ 2710	\$ 3083	\$ 153
100.0#	1648	1825	1872	1928	1965	2040	2115	2207	2395	2581	2768	3142	153
100.0#	\$ 1823	\$ 2000	\$ 2047	\$ 2102	\$ 2140	\$ 2216	\$ 2290	\$ 2382	\$ 2570	\$ 2756	\$ 2943	\$ 3317	\$ 153
100.0#	1881	2058	2105	2161	2198	2273	2347	2441	2628	2815	3001	3374	153

NOTE

Base Finish

4-leg lounge base finish is polished aluminum.

Ganging

Only Low Arm to Low Arm, No Arm to No Arm, and No Arm to Low Arm sides will gang together. Work Arm and High Arm sides cannot gang.

INFORMATION

C.O.M. Requirements

C.O.M. yardage requirements listed above are based on plain goods 54" wide. If less than 54" wide or fabrics requiring matching (stripes, plaids, prints, large patterns), additional yardage will be needed. Consult C.O.M. matrix on the Ordering C.O.M. and C.O.L. page for additional yardage needed. For C.O.M. fabric sent to KI-High Point on multiple rolls, add an additional yard of

fabric per roll to the yardage requirements.

C.O.L. Requirements

Figure 18 sq. ft. of leather (C.O.L.) for each yard shown (i.e., 4.75 x 18 = 85.5 sq. ft.).

Contrasting Upholstery

When contrasting fabric is chosen, price at highest in-grade.

Minimum Fabric/Leather Quantity

Minimum order for fabric is 1 yard. Minimum order for leather is 1 hide (approximately 50 sq. ft).

California TB133 Fire Safety Code

The above seating products can be manufactured as a Special Cost Request using the appropriate flame-retardant materials and fabric selections for compliance to California Technical Bulletin 133. Please contact KI customer service for fabric compliance. Not available with moisture barrier.

Model	
MYNW	\$228
MYWN	\$228
MYNW4L	\$228
MYWN4L	\$228
MYLL	\$228
MYLL4L	\$228

SPECIAL SERVICES

Special Carton Marking

With specially marked information N/C

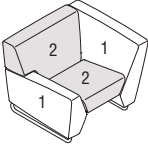
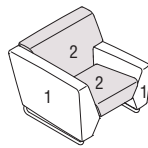
Shipping

Shipped **assembled freight prepaid f.o.b. High Point, North Carolina 27263** factory. Freight class #175.

Specifications and prices are subject to change without prior notice.

MyWay™

Lobby and Lounge Seating

			MODEL NUMBER									
Features	COM	Basic Model	Non-Contrast or Fabric Contrast 1	Fabric Contrast 2	Base Finish	Cup Holder	Glide Option	Power Option	Power Location	Ganging Option	Moisture Barrier	
 <p>MYL3 Left Facing Low Arm/ Right Facing High Arm Sled Base Lounge</p> <ul style="list-style-type: none"> 1 = Arms (Fabric Contrast 1) C.O.M. = 3 yd 2 = Seat and back (Fabric Contrast 2) C.O.M. = 3 yd 	Non-contrast	5.75 yd	MYLH/NC	<input type="checkbox"/> <input type="checkbox"/> <input type="checkbox"/> <input type="checkbox"/>		<input type="checkbox"/> <input type="checkbox"/>	<input type="checkbox"/> <input type="checkbox"/> <input type="checkbox"/> <input type="checkbox"/>	<input type="checkbox"/> <input type="checkbox"/>	<input type="checkbox"/> <input type="checkbox"/> <input type="checkbox"/> <input type="checkbox"/>	<input type="checkbox"/> <input type="checkbox"/> <input type="checkbox"/> <input type="checkbox"/>	<input type="checkbox"/> <input type="checkbox"/> <input type="checkbox"/> <input type="checkbox"/>	
	Contrast		MYLH/FC	<input type="checkbox"/> <input type="checkbox"/> <input type="checkbox"/> <input type="checkbox"/>	<input type="checkbox"/> <input type="checkbox"/> <input type="checkbox"/> <input type="checkbox"/>	<input type="checkbox"/> <input type="checkbox"/>	<input type="checkbox"/> <input type="checkbox"/> <input type="checkbox"/> <input type="checkbox"/>	<input type="checkbox"/> <input type="checkbox"/>	<input type="checkbox"/> <input type="checkbox"/> <input type="checkbox"/> <input type="checkbox"/>	<input type="checkbox"/> <input type="checkbox"/> <input type="checkbox"/> <input type="checkbox"/>	<input type="checkbox"/> <input type="checkbox"/> <input type="checkbox"/> <input type="checkbox"/>	<input type="checkbox"/> <input type="checkbox"/> <input type="checkbox"/> <input type="checkbox"/>
 <p>MYL3 Left Facing High Arm/ Right Facing Low Arm Sled Base Lounge</p> <ul style="list-style-type: none"> 1 = Arms (Fabric Contrast 1) C.O.M. = 3 yd 2 = Seat and back (Fabric Contrast 2) C.O.M. = 3 yd 	Non-contrast	5.75 yd	MYHL/NC	<input type="checkbox"/> <input type="checkbox"/> <input type="checkbox"/> <input type="checkbox"/>		<input type="checkbox"/> <input type="checkbox"/>	<input type="checkbox"/> <input type="checkbox"/> <input type="checkbox"/> <input type="checkbox"/>	<input type="checkbox"/> <input type="checkbox"/>	<input type="checkbox"/> <input type="checkbox"/> <input type="checkbox"/> <input type="checkbox"/>	<input type="checkbox"/> <input type="checkbox"/> <input type="checkbox"/> <input type="checkbox"/>	<input type="checkbox"/> <input type="checkbox"/> <input type="checkbox"/> <input type="checkbox"/>	
	Contrast		MYHL/FC	<input type="checkbox"/> <input type="checkbox"/> <input type="checkbox"/> <input type="checkbox"/>	<input type="checkbox"/> <input type="checkbox"/> <input type="checkbox"/> <input type="checkbox"/>	<input type="checkbox"/> <input type="checkbox"/>	<input type="checkbox"/> <input type="checkbox"/> <input type="checkbox"/> <input type="checkbox"/>	<input type="checkbox"/> <input type="checkbox"/>	<input type="checkbox"/> <input type="checkbox"/> <input type="checkbox"/> <input type="checkbox"/>	<input type="checkbox"/> <input type="checkbox"/> <input type="checkbox"/> <input type="checkbox"/>	<input type="checkbox"/> <input type="checkbox"/> <input type="checkbox"/> <input type="checkbox"/>	<input type="checkbox"/> <input type="checkbox"/> <input type="checkbox"/> <input type="checkbox"/>
			A	B	C	D	E	F	G	H	I	J

HOW TO ORDER

Indicate the following information on order form:

- Quantity of each item.
- Model number, including options. See "How To Build a Model Number".
- Any special service required.

Note: • The indicates that a choice is required.

- The absence of the indicates that no choice is required.
- Alpha-numeric characters in place of indicate that no other alternatives are available.

HOW TO BUILD A MODEL NUMBER

- A** Select basic model.
- B** Select non-contrast or fabric contrast 1. Refer to color addendum at ki.com or KI Fabrics & Finishes binder.
- C** Select fabric contrast 2. Refer to color addendum at ki.com or KI Fabrics & Finishes binder.
- D** Select base finish color. Refer to color addendum at ki.com or KI Fabrics & Finishes binder.
- E** Select cup holder option.
 - MNCH** - No cup holder
 - MWLC** - Left facing cup holder; add \$160
 - MWRC** - Right facing cup holder; add \$160
 Cup holder is available on Low Arm only.
- F** Select glide option.

- NGL** - No glides
- GNV** - Nylon glides (cream color); add \$5

- G** Select power option.
 - NP** - No power
 - MPB** - Black power module; add \$239
 - MPS** - Silver power module; add \$239
 - MPW** - White power module; add \$239

- H** Select location of power.
 - LFP** - Left facing power
 - RFP** - Right facing power
 No location selection is needed if No Power (NP) is selected.

- I** Select ganging option.
 - HNG** - No gangers
 - HWG** - Ganging; add \$50
 Two ganging assemblies shipped per unit.

- J** Select moisture barrier.

- NMB** - No moisture barrier
 - MB** - Moisture barrier
- See pricing column for moisture barrier upcharge.



Approx. Packaged Weight	Grade C.O.M.	Grade C	Grade D	Grade E & C.O.L.	Grade F	Grade G	Grade H	Grade I	Grade J	Grade K	Grade L Leather	Grade M Leather	Moisture Barrier add to list price
110.0#	\$ 1783	\$ 1979	\$ 2030	\$ 2092	\$ 2133	\$ 2217	\$ 2299	\$ 2402	\$ 2608	\$ 2815	\$ 3020	\$ 3433	\$ 160
110.0#	1842	2037	2089	2151	2192	2274	2358	2461	2666	2873	3079	3492	160

110.0#	\$ 1783	\$ 1979	\$ 2030	\$ 2092	\$ 2133	\$ 2217	\$ 2299	\$ 2402	\$ 2608	\$ 2815	\$ 3020	\$ 3433	\$ 160
110.0#	1842	2037	2089	2151	2192	2274	2358	2461	2666	2873	3079	3492	160

NOTE

Ganging

Only Low Arm to Low Arm, No Arm to No Arm, and No Arm to Low Arm sides will gang together. Work Arm and High Arm sides cannot gang.

INFORMATION

C.O.M. Requirements

C.O.M. yardage requirements listed above are based on plain goods 54" wide. If less than 54" wide or fabrics requiring matching (stripes, plaids, prints, large patterns), additional yardage will be needed. Consult C.O.M. matrix on the Ordering C.O.M. and C.O.L. page for additional yardage needed. For C.O.M. fabric sent to KI-High Point on multiple rolls, add an additional yard of fabric per roll to the yardage requirements.

C.O.L. Requirements

Figure 18 sq. ft. of leather (C.O.L.) for each

yard shown (i.e., 4.75 x 18 = 85.5 sq. ft.).

Contrasting Upholstery

When contrasting fabric is chosen, price at highest in-grade.

Minimum Fabric/Leather Quantity

Minimum order for fabric is 1 yard. Minimum order for leather is 1 hide (approximately 50 sq. ft.).

California TB133 Fire Safety Code

The above seating products can be manufactured as a Special Cost Request using the appropriate flame-retardant materials and fabric selections for compliance to California Technical Bulletin 133. Please contact KI customer service for fabric compliance. Not available with moisture barrier.

Model	
MYLH	\$239
MYHL	\$239
MYLH4L	\$239
MYHL4L	\$239
MYHH	\$239
MYHH4L	\$239

SPECIAL SERVICES

Special Carton Marking

With specially marked information N/C

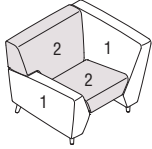
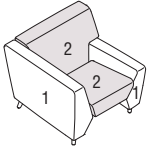
Shipping

Shipped **assembled freight prepaid f.o.b. High Point, North Carolina 27263** factory. Freight class #175.

Specifications and prices are subject to change without prior notice.

MyWay™

Lobby and Lounge Seating

		MODEL NUMBER									
Features	COM	Basic Model	Non-Contrast or Fabric Contrast 1	Fabric Contrast 2	Cup Holder	Power Option	Power Location	Ganging Option	Moisture Barrier		
 <p>MYL3 Left Facing Low Arm/ Right Facing High Arm 4-Leg Lounge</p> <ul style="list-style-type: none"> 1 = Arms (Fabric Contrast 1) C.O.M. = 3 yd 2 = Seat and back (Fabric Contrast 2) C.O.M. = 3 yd 	Non-contrast	5.75 yd	MYLH4L/NC	<input type="checkbox"/> <input type="checkbox"/> <input type="checkbox"/> <input type="checkbox"/>		<input type="checkbox"/> <input type="checkbox"/>	<input type="checkbox"/> <input type="checkbox"/>	<input type="checkbox"/> <input type="checkbox"/>	<input type="checkbox"/> <input type="checkbox"/>	<input type="checkbox"/> <input type="checkbox"/>	
	Contrast		MYLH4L/FC	<input type="checkbox"/> <input type="checkbox"/> <input type="checkbox"/> <input type="checkbox"/>	<input type="checkbox"/> <input type="checkbox"/> <input type="checkbox"/> <input type="checkbox"/>	<input type="checkbox"/> <input type="checkbox"/>	<input type="checkbox"/> <input type="checkbox"/>	<input type="checkbox"/> <input type="checkbox"/>	<input type="checkbox"/> <input type="checkbox"/>	<input type="checkbox"/> <input type="checkbox"/>	
 <p>MYL3 Left Facing High Arm/ Right Facing Low Arm 4-Leg Lounge</p> <ul style="list-style-type: none"> 1 = Arms (Fabric Contrast 1) C.O.M. = 3 yd 2 = Seat and back (Fabric Contrast 2) C.O.M. = 3 yd 	Non-contrast	5.75 yd	MYHL4L/NC	<input type="checkbox"/> <input type="checkbox"/> <input type="checkbox"/> <input type="checkbox"/>		<input type="checkbox"/> <input type="checkbox"/>	<input type="checkbox"/> <input type="checkbox"/>	<input type="checkbox"/> <input type="checkbox"/>	<input type="checkbox"/> <input type="checkbox"/>	<input type="checkbox"/> <input type="checkbox"/>	
	Contrast		MYHL4L/FC	<input type="checkbox"/> <input type="checkbox"/> <input type="checkbox"/> <input type="checkbox"/>		<input type="checkbox"/> <input type="checkbox"/>	<input type="checkbox"/> <input type="checkbox"/>	<input type="checkbox"/> <input type="checkbox"/>	<input type="checkbox"/> <input type="checkbox"/>	<input type="checkbox"/> <input type="checkbox"/>	
				A	B	C	D	E	F	G	H

HOW TO ORDER

Indicate the following information on order form:

- Quantity of each item.
- Model number, including options. See "How To Build a Model Number".
- Any special service required.

Note: • The indicates that a choice is required.

- The absence of the indicates that no choice is required.
- Alpha-numeric characters in place of indicate that no other alternatives are available.

HOW TO BUILD A MODEL NUMBER

A Select basic model.

B Select non-contrast or fabric contrast 1. Refer to color addendum at ki.com or KI Fabrics & Finishes binder.

C Select fabric contrast 2. Refer to color addendum at ki.com or KI Fabrics & Finishes binder.

D Select cup holder option.
MNCH - No cup holder
MWLC - Left facing cup holder; add \$160
MWRC - Right facing cup holder; add \$160
 Cup holder is available on Low Arm only.

E Select power option.
NP - No power
MPB - Black power module; add \$239
MPS - Silver power module; add

\$239
MPW - White power module; add \$239

F Select location of power.
LFP - Left facing power
RFP - Right facing power
 No location selection is needed if No Power (NP) is selected.

G Select ganging option.
HNG - No gangers
HWG - Ganging; add \$50
 Two ganging assemblies shipped per unit.

H Select moisture barrier.
NMB - No moisture barrier
MB - Moisture barrier
 See pricing column for moisture barrier upcharge.



Approx. Packaged Weight	Grade C.O.M.	Grade C	Grade D	Grade E & C.O.L.	Grade F	Grade G	Grade H	Grade I	Grade J	Grade K	Grade L Leather	Grade M Leather	Moisture Barrier add to list price
110.0#	\$ 2017	\$ 2212	\$ 2264	\$ 2326	\$ 2367	\$ 2449	\$ 2533	\$ 2636	\$ 2841	\$ 3048	\$ 3254	\$ 3667	\$ 160
110.0#	2075	2270	2323	2383	2426	2508	2590	2693	2899	3106	3312	3724	160

110.0#	\$ 2017	\$ 2212	\$ 2264	\$ 2326	\$ 2367	\$ 2449	\$ 2533	\$ 2636	\$ 2841	\$ 3048	\$ 3254	\$ 3667	\$ 160
110.0#	2075	2270	2323	2383	2426	2508	2590	2693	2899	3106	3312	3724	160

NOTE

Base Finish

4-leg lounge base finish is polished aluminum.

Ganging

Only Low Arm to Low Arm, No Arm to No Arm, and No Arm to Low Arm sides will gang together. Work Arm and High Arm sides cannot gang.

INFORMATION

C.O.M. Requirements

C.O.M. yardage requirements listed above are based on plain goods 54" wide. If less than 54" wide or fabrics requiring matching (stripes, plaids, prints, large patterns), additional yardage will be needed. Consult C.O.M. matrix on the Ordering C.O.M. and C.O.L. page for additional yardage needed. For C.O.M. fabric sent to KI-High Point on multiple rolls, add an additional yard of fabric per roll to the yardage requirements.

C.O.L. Requirements

Figure 18 sq. ft. of leather (C.O.L.) for each yard shown (i.e., 4.75 x 18 = 85.5 sq. ft.).

Contrasting Upholstery

When contrasting fabric is chosen, price at highest in-grade.

Minimum Fabric/Leather Quantity

Minimum order for fabric is 1 yard. Minimum order for leather is 1 hide (approx-

mately 50 sq. ft.).

California TB133 Fire Safety Code

The above seating products can be manufactured as a Special Cost Request using the appropriate flame-retardant materials and fabric selections for compliance to California Technical Bulletin 133. Please contact KI customer service for fabric compliance. Not available with moisture barrier.

Model	
MYLH	\$239
MYHL	\$239
MYLH4L	\$239
MYHL4L	\$239
MYHH	\$239
MYHH4L	\$239

SPECIAL SERVICES

Special Carton Marking

With specially marked information N/C

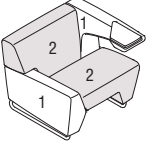
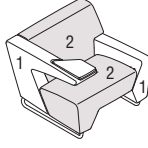
Shipping

Shipped **assembled freight prepaid f.o.b. High Point, North Carolina 27263** factory. Freight class #175.

Specifications and prices are subject to change without prior notice.

MyWay™

Lobby and Lounge Seating

			MODEL NUMBER										
Features	COM	Basic Model	Non-Contrast or Fabric Contrast 1	Fabric Contrast 2	Base Finish	Cup Holder	Glide Option	Lam Clr	Power Option	Power Location	Ganging Option	Moist. Barrier	
 <p>MYL4 Left Facing Low Arm/ Right Facing Work Arm Sled Base Lounge</p> <ul style="list-style-type: none"> 1 = Arms (Fabric Contrast 1) C.O.M. = 2.75 yd 2 = Seat and back (Fabric Contrast 2) C.O.M. = 3 yd 	Non-contrast	5.5 yd	MYLW/NC	<input type="checkbox"/> <input type="checkbox"/> <input type="checkbox"/> <input type="checkbox"/>		<input type="checkbox"/> <input type="checkbox"/>	<input type="checkbox"/> <input type="checkbox"/> <input type="checkbox"/>	<input type="checkbox"/> <input type="checkbox"/> <input type="checkbox"/>	<input type="checkbox"/> <input type="checkbox"/> <input type="checkbox"/>	<input type="checkbox"/> <input type="checkbox"/> <input type="checkbox"/>	<input type="checkbox"/> <input type="checkbox"/> <input type="checkbox"/>		
	Contrast		MYLW/FC	<input type="checkbox"/> <input type="checkbox"/> <input type="checkbox"/> <input type="checkbox"/>	<input type="checkbox"/> <input type="checkbox"/> <input type="checkbox"/> <input type="checkbox"/>	<input type="checkbox"/> <input type="checkbox"/>	<input type="checkbox"/> <input type="checkbox"/> <input type="checkbox"/>	<input type="checkbox"/> <input type="checkbox"/> <input type="checkbox"/>	<input type="checkbox"/> <input type="checkbox"/> <input type="checkbox"/>	<input type="checkbox"/> <input type="checkbox"/> <input type="checkbox"/>	<input type="checkbox"/> <input type="checkbox"/> <input type="checkbox"/>		
 <p>MYL4 Left Facing Work Arm/ Right Facing Low Arm Sled Base Lounge</p> <ul style="list-style-type: none"> 1 = Arms (Fabric Contrast 1) C.O.M. = 2.75 yd 2 = Seat and back (Fabric Contrast 2) C.O.M. = 3 yd 	Non-contrast	5.5 yd	MYWL/NC	<input type="checkbox"/> <input type="checkbox"/> <input type="checkbox"/> <input type="checkbox"/>		<input type="checkbox"/> <input type="checkbox"/>	<input type="checkbox"/> <input type="checkbox"/> <input type="checkbox"/>	<input type="checkbox"/> <input type="checkbox"/> <input type="checkbox"/>	<input type="checkbox"/> <input type="checkbox"/> <input type="checkbox"/>	<input type="checkbox"/> <input type="checkbox"/> <input type="checkbox"/>	<input type="checkbox"/> <input type="checkbox"/> <input type="checkbox"/>		
	Contrast		MYWL/FC	<input type="checkbox"/> <input type="checkbox"/> <input type="checkbox"/> <input type="checkbox"/>	<input type="checkbox"/> <input type="checkbox"/> <input type="checkbox"/> <input type="checkbox"/>	<input type="checkbox"/> <input type="checkbox"/>	<input type="checkbox"/> <input type="checkbox"/> <input type="checkbox"/>	<input type="checkbox"/> <input type="checkbox"/> <input type="checkbox"/>	<input type="checkbox"/> <input type="checkbox"/> <input type="checkbox"/>	<input type="checkbox"/> <input type="checkbox"/> <input type="checkbox"/>	<input type="checkbox"/> <input type="checkbox"/> <input type="checkbox"/>		
			A	B	C	D	E	F	G	H	I	J	K

HOW TO ORDER

Indicate the following information on order form:

- Quantity of each item.
- Model number, including options. See "How To Build a Model Number".
- Any special service required.

Note: • The indicates that a choice is required.

- The absence of the indicates that no choice is required.
- Alpha-numeric characters in place of indicate that no other alternatives are available.

HOW TO BUILD A MODEL NUMBER

A Select basic model.

B Select non-contrast or fabric contrast 1. Refer to color addendum at ki.com or KI Fabrics & Finishes binder.

C Select fabric contrast 2. Refer to color addendum at ki.com or KI Fabrics & Finishes binder.

D Select base finish color. Refer to color addendum at ki.com or KI Fabrics & Finishes binder.

E Select cup holder option.

MNCH - No cup holder
MWLC - Left facing cup holder; add \$160
MWRC - Right facing cup holder; add \$160
 Cup holder is available on Low Arm only.

F Select glide option.

NGL - No glides

GNY - Nylon glides (cream color); add \$5

G Select laminate color. Refer to color addendum at ki.com or KI Fabrics & Finishes binder. Tablet edge finish is always Natural on beech.

H Select power option.

NP - No power
MPB - Black power module; add \$239
MPS - Silver power module; add \$239
MPW - White power module; add \$239

I Select location of power.

LFP - Left facing power
RFP - Right facing power
 No location selection is needed if No Power (NP) is selected.

J Select ganging option.

HNG - No gangers
HWG - Ganging; add \$50
 Two ganging assemblies shipped per unit.

K Select moisture barrier.

NMB - No moisture barrier
MB - Moisture barrier
 See pricing column for moisture barrier upcharge.



	Approx. Packaged Weight	Grade C.O.M.	Grade C	Grade D	Grade E & C.O.L.	Grade F	Grade G	Grade H	Grade I	Grade J	Grade K	Grade L Leather	Grade M Leather	Moisture Barrier add to list price
<input type="checkbox"/> <input type="checkbox"/>	115.0#	\$ 1764	\$ 1970	\$ 2023	\$ 2089	\$ 2131	\$ 2219	\$ 2304	\$ 2412	\$ 2629	\$ 2845	\$ 3061	\$ 3494	\$ 160
<input type="checkbox"/> <input type="checkbox"/>	115.0#	1823	2028	2082	2148	2190	2276	2363	2471	2687	2904	3119	3551	160
<input type="checkbox"/> <input type="checkbox"/>	115.0#	\$ 1764	\$ 1970	\$ 2023	\$ 2089	\$ 2131	\$ 2219	\$ 2304	\$ 2412	\$ 2629	\$ 2845	\$ 3061	\$ 3494	\$ 160
<input type="checkbox"/> <input type="checkbox"/>	115.0#	1823	2028	2082	2148	2190	2276	2363	2471	2687	2904	3119	3551	160

NOTE

Ganging

Only Low Arm to Low Arm, No Arm to No Arm, and No Arm to Low Arm sides will gang together. Work Arm and High Arm sides cannot gang.

INFORMATION

C.O.M. Requirements

C.O.M. yardage requirements listed above are based on plain goods 54" wide. If less than 54" wide or fabrics requiring matching (stripes, plaids, prints, large patterns), additional yardage will be needed. Consult C.O.M. matrix on the Ordering C.O.M. and C.O.L. page for additional yardage needed. For C.O.M. fabric sent to KI-High Point on multiple rolls, add an additional yard of fabric per roll to the yardage requirements.

C.O.L. Requirements

Figure 18 sq. ft. of leather (C.O.L.) for each yard shown (i.e., 4.75 x 18 = 85.5 sq. ft.).

Contrasting Upholstery

When contrasting fabric is chosen, price at highest in-grade.

Minimum Fabric/Leather Quantity

Minimum order for fabric is 1 yard. Minimum order for leather is 1 hide (approximately 50 sq. ft.).

California TB133 Fire Safety Code

The above seating products can be manufactured as a Special Cost Request using the appropriate flame-retardant materials and fabric selections for compliance to California Technical Bulletin 133. Please contact KI customer service for fabric compliance. Not available with moisture barrier.

Model	
MYLW	\$244
MYWL	\$244
MYLW4L	\$244
MYWL4L	\$244

SPECIAL SERVICES

Special Carton Marking

With specially marked information N/C

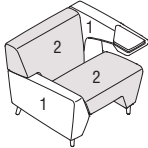
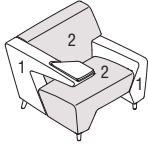
Shipping

Shipped **assembled freight prepaid f.o.b. High Point, North Carolina 27263** factory. Freight class #175.

Specifications and prices are subject to change without prior notice.

MyWay™

Lobby and Lounge Seating

		MODEL NUMBER									
Features	COM	Basic Model	Non-Contrast or Fabric Contrast 1	Fabric Contrast 2	Cup Holder	Lam Clr	Power Option	Power Location	Ganging Option	Moist. Barrier	
	Non-contrast	5.5 yd	MYLW4L/NC	<input type="checkbox"/> <input type="checkbox"/> <input type="checkbox"/> <input type="checkbox"/>		<input type="checkbox"/> <input type="checkbox"/> <input type="checkbox"/>	<input type="checkbox"/> <input type="checkbox"/> <input type="checkbox"/>	<input type="checkbox"/> <input type="checkbox"/> <input type="checkbox"/>	<input type="checkbox"/> <input type="checkbox"/> <input type="checkbox"/>	<input type="checkbox"/> <input type="checkbox"/> <input type="checkbox"/>	
	Contrast		MYLW4L/FC	<input type="checkbox"/> <input type="checkbox"/> <input type="checkbox"/> <input type="checkbox"/>	<input type="checkbox"/> <input type="checkbox"/> <input type="checkbox"/> <input type="checkbox"/>	<input type="checkbox"/> <input type="checkbox"/> <input type="checkbox"/>	<input type="checkbox"/> <input type="checkbox"/> <input type="checkbox"/>	<input type="checkbox"/> <input type="checkbox"/> <input type="checkbox"/>	<input type="checkbox"/> <input type="checkbox"/> <input type="checkbox"/>	<input type="checkbox"/> <input type="checkbox"/> <input type="checkbox"/>	
<p>MYL4 Left Facing Low Arm/ Right Facing Work Arm 4-Leg Lounge</p> <ul style="list-style-type: none"> • 1 = Arms (Fabric Contrast 1) C.O.M. = 2.75 yd • 2 = Seat and back (Fabric Contrast 2) C.O.M. = 3 yd 											
	Non-contrast	5.5 yd	MYWL4L/NC	<input type="checkbox"/> <input type="checkbox"/> <input type="checkbox"/> <input type="checkbox"/>		<input type="checkbox"/> <input type="checkbox"/> <input type="checkbox"/>	<input type="checkbox"/> <input type="checkbox"/> <input type="checkbox"/>	<input type="checkbox"/> <input type="checkbox"/> <input type="checkbox"/>	<input type="checkbox"/> <input type="checkbox"/> <input type="checkbox"/>	<input type="checkbox"/> <input type="checkbox"/> <input type="checkbox"/>	
	Contrast		MYWL4L/FC	<input type="checkbox"/> <input type="checkbox"/> <input type="checkbox"/> <input type="checkbox"/>	<input type="checkbox"/> <input type="checkbox"/> <input type="checkbox"/> <input type="checkbox"/>	<input type="checkbox"/> <input type="checkbox"/> <input type="checkbox"/>	<input type="checkbox"/> <input type="checkbox"/> <input type="checkbox"/>	<input type="checkbox"/> <input type="checkbox"/> <input type="checkbox"/>	<input type="checkbox"/> <input type="checkbox"/> <input type="checkbox"/>	<input type="checkbox"/> <input type="checkbox"/> <input type="checkbox"/>	
<p>MYL4 Left Facing Work Arm/ Right Facing Low Arm 4-Leg Lounge</p> <ul style="list-style-type: none"> • 1 = Arms (Fabric Contrast 1) C.O.M. = 2.75 yd • 2 = Seat and back (Fabric Contrast 2) C.O.M. = 3 yd 											
			A	B	C	D	E	F	G	H	I

HOW TO ORDER

Indicate the following information on order form:

- Quantity of each item.
- Model number, including options. See "How To Build a Model Number".
- Any special service required.

Note: • The indicates that a choice is required.

- The absence of the indicates that no choice is required.
- Alpha-numeric characters in place of indicate that no other alternatives are available.

HOW TO BUILD A MODEL NUMBER

- A** Select basic model.
- B** Select non-contrast or fabric contrast 1. Refer to color addendum at ki.com or KI Fabrics & Finishes binder.
- C** Select fabric contrast 2. Refer to color addendum at ki.com or KI Fabrics & Finishes binder.
- D** Select cup holder option.
 - MNCH** - No cup holder
 - MWLC** - Left facing cup holder; add \$160
 - MWRC** - Right facing cup holder; add \$160
 Cup holder is available on Low Arm only.
- E** Select laminate color. Refer to color addendum at ki.com or KI Fabrics & Finishes binder. Tablet edge finish is always Natural on beech.

- F** Select power option.
 - NP** - No power
 - MPB** - Black power module; add \$239
 - MPS** - Silver power module; add \$239
 - MPW** - White power module; add \$239
- G** Select location of power.
 - LFP** - Left facing power
 - RFP** - Right facing power
 No location selection is needed if No Power (NP) is selected.
- H** Select ganging option.
 - HNG** - No gangers
 - HWG** - Ganging; add \$50
 Two ganging assemblies shipped per unit.
- I** Select moisture barrier.
 - NMB** - No moisture barrier
 - MB** - Moisture barrier
 See pricing column for moisture barrier

upcharge.



Approx. Packaged Weight	Grade C.O.M.	Grade C	Grade D	Grade E & C.O.L.	Grade F	Grade G	Grade H	Grade I	Grade J	Grade K	Grade L Leather	Grade M Leather	Moisture Barrier add to list price
115.0#	\$ 1997	\$ 2203	\$ 2257	\$ 2323	\$ 2365	\$ 2451	\$ 2538	\$ 2646	\$ 2862	\$ 3079	\$ 3294	\$ 3727	\$ 160
115.0#	2056	2262	2314	2380	2424	2510	2596	2704	2921	3137	3353	3785	160

115.0#	\$ 1997	\$ 2203	\$ 2257	\$ 2323	\$ 2365	\$ 2451	\$ 2538	\$ 2646	\$ 2862	\$ 3079	\$ 3294	\$ 3727	\$ 160
115.0#	2056	2262	2314	2380	2424	2510	2596	2704	2921	3137	3353	3785	160

NOTE

Base Finish

4-leg lounge base finish is polished aluminum.

Ganging

Only Low Arm to Low Arm, No Arm to No Arm, and No Arm to Low Arm sides will gang together. Work Arm and High Arm sides cannot gang.

INFORMATION

C.O.M. Requirements

C.O.M. yardage requirements listed above are based on plain goods 54" wide. If less than 54" wide or fabrics requiring matching (stripes, plaids, prints, large patterns), additional yardage will be needed. Consult C.O.M. matrix on the Ordering C.O.M. and C.O.L. page for additional yardage needed. For C.O.M. fabric sent to KI-High Point on multiple rolls, add an additional yard of fabric per roll to the yardage requirements.

C.O.L. Requirements

Figure 18 sq. ft. of leather (C.O.L.) for each yard shown (i.e., 4.75 x 18 = 85.5 sq. ft.).

Contrasting Upholstery

When contrasting fabric is chosen, price at highest in-grade.

Minimum Fabric/Leather Quantity

Minimum order for fabric is 1 yard. Minimum order for leather is 1 hide (approx-

mately 50 sq. ft).

California TB133 Fire Safety Code

The above seating products can be manufactured as a Special Cost Request using the appropriate flame-retardant materials and fabric selections for compliance to California Technical Bulletin 133. Please contact KI customer service for fabric compliance. Not available with moisture barrier.

Model	
MYLW	\$244
MYWL	\$244
MYLW4L	\$244
MYWL4L	\$244

SPECIAL SERVICES

Special Carton Marking

With specially marked information N/C

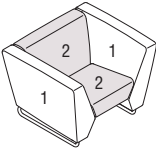
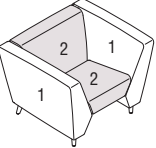
Shipping

Shipped **assembled freight prepaid f.o.b. High Point, North Carolina 27263** factory. Freight class #175.

Specifications and prices are subject to change without prior notice.

MyWay™

Lobby and Lounge Seating

	Features	COM	MODEL NUMBER								Approx. Packaged Weight			
			Basic Model	Non-Contrast or Fabric Contrast 1	Fabric Contrast 2	Base Finish	Glide Option	Power Option	Power Location	Moisture Barrier				
 <p>MYH1 High Arm Sled Base Lounge</p> <ul style="list-style-type: none"> 1 = Arms (Fabric Contrast 1) C.O.M. = 4 yd 2 = Seat and back (Fabric Contrast 2) C.O.M. = 3 yd 	Non-contrast	6.75 yd	MYHH/NC	<input type="checkbox"/> <input type="checkbox"/> <input type="checkbox"/> <input type="checkbox"/>									115.0#	
	Contrast		MYHH/FC	<input type="checkbox"/> <input type="checkbox"/> <input type="checkbox"/> <input type="checkbox"/>	<input type="checkbox"/> <input type="checkbox"/> <input type="checkbox"/> <input type="checkbox"/>									115.0#
 <p>MYH1 High Arm 4-Leg Lounge</p> <ul style="list-style-type: none"> 1 = Arms (Fabric Contrast 1) C.O.M. = 4 yd 2 = Seat and back (Fabric Contrast 2) C.O.M. = 3 yd 	Non-contrast	6.75 yd	MYHH4L/NC	<input type="checkbox"/> <input type="checkbox"/> <input type="checkbox"/> <input type="checkbox"/>					<input type="checkbox"/> <input type="checkbox"/> <input type="checkbox"/>	<input type="checkbox"/> <input type="checkbox"/> <input type="checkbox"/>	<input type="checkbox"/> <input type="checkbox"/> <input type="checkbox"/>		115.0#	
	Contrast		MYHH4L/FC	<input type="checkbox"/> <input type="checkbox"/> <input type="checkbox"/> <input type="checkbox"/>	<input type="checkbox"/> <input type="checkbox"/> <input type="checkbox"/> <input type="checkbox"/>					<input type="checkbox"/> <input type="checkbox"/> <input type="checkbox"/>	<input type="checkbox"/> <input type="checkbox"/> <input type="checkbox"/>	<input type="checkbox"/> <input type="checkbox"/> <input type="checkbox"/>		115.0#
				A	B	C	D	E	F	G	H			

HOW TO ORDER

Indicate the following information on order form:

- Quantity of each item.
- Model number, including options. See "How To Build a Model Number".
- Any special service required.

Note: • The indicates that a choice is required.

- The absence of the indicates that no choice is required.
- Alpha-numeric characters in place of indicate that no other alternatives are available.

HOW TO BUILD A MODEL NUMBER

A Select basic model.

B Select non-contrast or fabric contrast 1. Refer to color addendum at ki.com or KI Fabrics & Finishes binder.

C Select fabric contrast 2. Refer to color addendum at ki.com or KI Fabrics & Finishes binder.

D Select base finish color. Refer to color addendum at ki.com or KI Fabrics & Finishes binder.

E Select glide option.
NGL - No glides
GNL - Nylon glides (cream color); add \$5

F Select power option.
NP - No power
MPB - Black power module; add \$239

MPS - Silver power module; add \$239

MPW - White power module; add \$239

G Select location of power.

LFP - Left facing power

RFP - Right facing power

No location selection is needed if No Power (NP) is selected.

H Select moisture barrier.

NMB - No moisture barrier

MB - Moisture barrier

See pricing column for moisture barrier upcharge.



Grade C.O.M.	Grade C	Grade D	Grade E & C.O.L.	Grade F	Grade G	Grade H	Grade I	Grade J	Grade K	Grade L Leather	Grade M Leather	Moisture Barrier add to list price
\$ 1805	\$ 2038	\$ 2099	\$ 2172	\$ 2223	\$ 2321	\$ 2418	\$ 2542	\$ 2787	\$ 3033	\$ 3278	\$ 3770	\$ 170
1863	2096	2158	2231	2281	2378	2477	2601	2845	3091	3336	3827	170
\$ 2038	\$ 2271	\$ 2333	\$ 2406	\$ 2456	\$ 2553	\$ 2652	\$ 2775	\$ 3020	\$ 3266	\$ 3511	\$ 4003	\$ 170
2096	2330	2392	2465	2514	2612	2711	2834	3079	3325	3570	4061	170

NOTE

Base Finish

4-leg lounge base finish is polished aluminum.

Gangging

Only Low Arm to Low Arm, No Arm to No Arm, and No Arm to Low Arm sides will gang together. Work Arm and High Arm sides cannot gang.

INFORMATION

C.O.M. Requirements

C.O.M. yardage requirements listed above are based on plain goods 54" wide. If less than 54" wide or fabrics requiring matching (stripes, plaids, prints, large patterns), additional yardage will be needed. Consult C.O.M. matrix on the Ordering C.O.M. and C.O.L. page for additional yardage needed. For C.O.M. fabric sent to KI-High Point on multiple rolls, add an additional yard of fabric per roll to the yardage requirements.

C.O.L. Requirements

Figure 18 sq. ft. of leather (C.O.L.) for each yard shown (i.e., 4.75 x 18 = 85.5 sq. ft.).

Contrasting Upholstery

When contrasting fabric is chosen, price at highest in-grade.

Minimum Fabric/Leather Quantity

Minimum order for fabric is 1 yard. Minimum order for leather is 1 hide (approximately 50 sq. ft).

California TB133 Fire Safety Code

The above seating products can be manufactured as a Special Cost Request using the appropriate flame-retardant materials and fabric selections for compliance to California Technical Bulletin 133. Please contact KI customer service for fabric compliance. Not available with moisture barrier.

Model	
MYLH	\$239
MYHL	\$239
MYLH4L	\$239
MYHL4L	\$239
MYHH	\$239
MYHH4L	\$239

SPECIAL SERVICES

Special Carton Marking

With specially marked information N/C

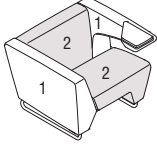
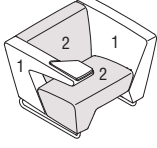
Shipping

Shipped **assembled freight prepaid f.o.b. High Point, North Carolina 27263** factory. Freight class #175.

Specifications and prices are subject to change without prior notice.

MyWay™

Lobby and Lounge Seating

		MODEL NUMBER											
Features	COM	Basic Model	Non-Contrast or Fabric Contrast 1	Fabric Contrast 2	Base Finish	Glide Option	Lam Clr	Power Option	Power Location	Moisture Barrier			
 <p>MYH2 Left Facing High Arm/ Right Facing Work Arm Sled Base Lounge</p> <ul style="list-style-type: none"> • 1 = Arms (Fabric Contrast 1) C.O.M. = 3.25 yd • 2 = Seat and back (Fabric Contrast 2) C.O.M. = 3 yd 	Non-contrast	6 yd	MYHW/NC	□□□□		□□	□□	□□□	□□□	□□□	□□□		
	Contrast		MYHW/FC	□□□□	□□□□	□□	□□	□□□	□□□	□□□	□□□		
 <p>MYH2 Left Facing Work Arm/ Right Facing High Arm Sled Base Lounge</p> <ul style="list-style-type: none"> • 1 = Arms (Fabric Contrast 1) C.O.M. = 3.25 yd • 2 = Seat and back (Fabric Contrast 2) C.O.M. = 3 yd 	Non-contrast	6 yd	MYWH/NC	□□□□		□□	□□	□□□	□□□	□□□			
	Contrast		MYWH/FC	□□□□	□□□□	□□	□□	□□□	□□□	□□□	□□□		
					A	B	C	D	E	F	G	H	I

HOW TO ORDER

Indicate the following information on order form:

- Quantity of each item.
- Model number, including options. See "How To Build a Model Number".
- Any special service required.

Note: • The indicates that a choice is required.

- The absence of the indicates that no choice is required.
- Alpha-numeric characters in place of indicate that no other alternatives are available.

HOW TO BUILD A MODEL NUMBER

- A** Select basic model.
- B** Select non-contrast or fabric contrast 1. Refer to color addendum at ki.com or KI Fabrics & Finishes binder.
- C** Select fabric contrast 2. Refer to color addendum at ki.com or KI Fabrics & Finishes binder.
- D** Select base finish color. Refer to color addendum at ki.com or KI Fabrics & Finishes binder.
- E** Select glide option.
 - NGL** - No glides
 - GNY** - Nylon glides (cream color); add \$5
- F** Select laminate color. Refer to color addendum at ki.com or KI Fabrics & Finishes binder. Tablet edge finish is always Natural on

beech.

- G** Select power option.
 - NP** - No power
 - MPB** - Black power module; add \$239
 - MPS** - Silver power module; add \$239
 - MPW** - White power module; add \$239
- H** Select location of power.
 - LFP** - Left facing power
 - RFP** - Right facing power
 No location selection is needed if No Power (NP) is selected.
- I** Select moisture barrier.
 - NMB** - No moisture barrier
 - MB** - Moisture barrier
 See pricing column for moisture barrier upcharge.



Approx. Packaged Weight	Grade C.O.M.	Grade C	Grade D	Grade E & C.O.L.	Grade F	Grade G	Grade H	Grade I	Grade J	Grade K	Grade L Leather	Grade M Leather	Moisture Barrier add to list price
120.0#	\$ 1954	\$ 2188	\$ 2250	\$ 2324	\$ 2372	\$ 2470	\$ 2569	\$ 2691	\$ 2937	\$ 3183	\$ 3428	\$ 3919	\$ 170
120.0#	2013	2246	2307	2381	2431	2528	2627	2750	2995	3241	3487	3977	170

120.0#	\$ 1954	\$ 2188	\$ 2250	\$ 2324	\$ 2372	\$ 2470	\$ 2569	\$ 2691	\$ 2937	\$ 3183	\$ 3428	\$ 3919	\$ 170
120.0#	2013	2246	2307	2381	2431	2528	2627	2750	2995	3241	3487	3977	170

NOTE

Gangging

Only Low Arm to Low Arm, No Arm to No Arm, and No Arm to Low Arm sides will gang together. Work Arm and High Arm sides cannot gang.

INFORMATION

C.O.M. Requirements

C.O.M. yardage requirements listed above are based on plain goods 54" wide. If less than 54" wide or fabrics requiring matching (stripes, plaids, prints, large patterns), additional yardage will be needed. Consult C.O.M. matrix on the Ordering C.O.M. and C.O.L. page for additional yardage needed. For C.O.M. fabric sent to KI-High Point on multiple rolls, add an additional yard of fabric per roll to the yardage requirements.

C.O.L. Requirements

Figure 18 sq. ft. of leather (C.O.L.) for each yard shown (i.e., 4.75 x 18 = 85.5 sq. ft.).

Contrasting Upholstery

When contrasting fabric is chosen, price at highest in-grade.

Minimum Fabric/Leather Quantity

Minimum order for fabric is 1 yard. Minimum order for leather is 1 hide (approximately 50 sq. ft.).

California TB133 Fire Safety Code

The above seating products can be manufactured as a Special Cost Request using the appropriate flame-retardant materials and fabric selections for compliance to California Technical Bulletin 133. Please contact KI customer service for fabric compliance. Not available with moisture barrier.

Model	
MYHW	\$266
MYWH	\$266
MYHW4L	\$266
MYWH4L	\$266

SPECIAL SERVICES

Special Carton Marking

With specially marked information N/C

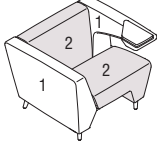
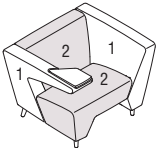
Shipping

Shipped **assembled freight prepaid f.o.b. High Point, North Carolina 27263** factory. Freight class #175.

Specifications and prices are subject to change without prior notice.

MyWay™

Lobby and Lounge Seating

			MODEL NUMBER							Approx. Packaged Weight
Features	COM	Basic Model	Non-Contrast or Fabric Contrast 1	Fabric Contrast 2	Lam Clr	Power Option	Power Location	Moisture Barrier		
 <p>MYH2 Left Facing High Arm/ Right Facing Work Arm 4-Leg Lounge</p> <ul style="list-style-type: none"> • 1 = Arms (Fabric Contrast 1) C.O.M. = 3.25 yd • 2 = Seat and back (Fabric Contrast 2) C.O.M. = 3 yd 	Non-contrast	6 yd	MYHW4L/NC	□□□□		□□□	□□□	□□□	□□□	120.0#
	Contrast		MYHW4L/FC	□□□□	□□□□	□□□	□□□	□□□	□□□	120.0#
 <p>MYH2 Left Facing Work Arm/ Right Facing High Arm 4-Leg Lounge</p> <ul style="list-style-type: none"> • 1 = Arms (Fabric Contrast 1) C.O.M. = 3.25 yd • 2 = Seat and back (Fabric Contrast 2) C.O.M. = 3 yd 	Non-contrast	6 yd	MYWH4L/NC	□□□□		□□□	□□□	□□□	□□□	120.0#
	Contrast		MYWH4L/FC	□□□□	□□□□	□□□	□□□	□□□	□□□	120.0#

A **B** **C** **D** **E** **F** **G**

HOW TO ORDER

Indicate the following information on order form:

1. Quantity of each item.
2. Model number, including options. See "How To Build a Model Number".
3. Any special service required.

Note: • The □ indicates that a choice is required.

- The absence of the □ indicates that no choice is required.
- Alpha-numeric characters in place of □ indicate that no other alternatives are available.

HOW TO BUILD A MODEL NUMBER

\$239

A Select basic model.

B Select non-contrast or fabric contrast 1. Refer to color addendum at ki.com or KI Fabrics & Finishes binder.

C Select fabric contrast 2. Refer to color addendum at ki.com or KI Fabrics & Finishes binder.

D Select laminate color. Refer to color addendum at ki.com or KI Fabrics & Finishes binder. Tablet edge finish is always Natural on beech.

E Select power option.

NP	- No power
MPB	- Black power module; add \$239
MPS	- Silver power module; add \$239
MPW	- White power module; add

F Select location of power.

LFP	- Left facing power
RFP	- Right facing power

No location selection is needed if No Power (NP) is selected.

G Select moisture barrier.

NMB	- No moisture barrier
MB	- Moisture barrier

See pricing column for moisture barrier upcharge.



Grade C.O.M.	Grade C	Grade D	Grade E & C.O.L.	Grade F	Grade G	Grade H	Grade I	Grade J	Grade K	Grade L Leather	Grade M Leather	Moisture Barrier add to list price
\$ 2188	\$ 2421	\$ 2482	\$ 2556	\$ 2606	\$ 2703	\$ 2802	\$ 2925	\$ 3170	\$ 3417	\$ 3662	\$ 4152	\$ 170
2246	2479	2541	2615	2664	2761	2860	2983	3228	3474	3719	4211	170

NOTE

Base Finish
4-leg lounge base finish is polished aluminum.

Ganging
Only Low Arm to Low Arm, No Arm to No Arm, and No Arm to Low Arm sides will gang together. Work Arm and High Arm sides cannot gang.

INFORMATION

C.O.M. Requirements
C.O.M. yardage requirements listed above are based on plain goods 54" wide. If less than 54" wide or fabrics requiring matching (stripes, plaids, prints, large patterns), additional yardage will be needed. Consult C.O.M. matrix on the Ordering C.O.M. and C.O.L. page for additional yardage needed. For C.O.M. fabric sent to KI-High Point on multiple rolls, add an additional yard of fabric per roll to the yardage requirements.

C.O.L. Requirements
Figure 18 sq. ft. of leather (C.O.L.) for each yard shown (i.e., 4.75 x 18 = 85.5 sq. ft.).

Contrasting Upholstery
When contrasting fabric is chosen, price at highest in-grade.

Minimum Fabric/Leather Quantity
Minimum order for fabric is 1 yard. Minimum order for leather is 1 hide (approx-

mately 50 sq. ft).

California TB133 Fire Safety Code
The above seating products can be manufactured as a Special Cost Request using the appropriate flame-retardant materials and fabric selections for compliance to California Technical Bulletin 133. Please contact KI customer service for fabric compliance. Not available with moisture barrier.

Model	
MYHW	\$266
MYWH	\$266
MYHW4L	\$266
MYWH4L	\$266

SPECIAL SERVICES

Special Carton Marking
With specially marked information N/C

Shipping
Shipped **assembled freight prepaid f.o.b. High Point, North Carolina 27263** factory. Freight class #175.

Specifications and prices are subject to change without prior notice.



Delivered
Pricing

\$ 732

\$ 743

\$ 945

SPECIAL SERVICES

Special Carton Marking

With specially marked information N/C

Shipping

Shipped **assembled freight prepaid f.o.b. High Point, North Carolina 27263** factory. Freight class #175.

Specifications and prices are subject to change without prior notice.



KI
1330 Bellevue Street
P.O. Box 8100
Green Bay, Wisconsin 54308-8100
1-800-424-2432
www.ki.com

KI and Furnishing Knowledge
are registered trademarks
of Krueger International, Inc.

© 2013 Krueger International, Inc.
All Rights Reserved.
Code KI-11604/KI/PDF/1213