

# Mail Master™

Commercial and GSA Price  
Book and Specification Guide

Version 6.0 - **Section 4c**  
Effective January 1, 2015

Rev. 2014-10



**DATUM**®  
storage solutions



# Commercial Terms & Conditions

---

**Payment Terms:** Deposits are required for all 1st time orders and until credit has been established. Datum's standard terms are NET 30, and Datum does offer prompt pay discounts. All invoices and payments in U.S. dollars.

**Pricing:** All prices shown are F.O.B. Emigsville, PA 17318-0355 and are subject to change without notice. See separate contract for GSA pricing, terms and conditions.

**Minimum Order:** \$100 (net). Any order less than \$100 net will be subject to a \$25.00 net service charge.

**Shipping:** All orders are shipped best way, prepaid and add, unless otherwise noted. Inside delivery, liftgate, 2-man delivery and call-before delivery are available for an additional charge. Please consult factory for additional pricing information.

**Ordering Instructions:** All orders must be in writing and accompanied by a purchase order number. Quantities, part numbers, paint, and laminate colors must be clearly noted on order. All orders will be confirmed with a written acknowledgment. MobileTrak<sup>®</sup> orders must have signed layout approval for order placement.

**Changes to orders:** Once an order has entered the production schedule, any changes to that order will be subject to a 25% restocking fee and extended lead time.

**Design Service:** Datum Storage Solutions offers complete layout-planning services at \$75.00 per hour.

**Standard Paint Colors:** Products are available in 8 standard paint colors, unless otherwise noted. Other colors may be subjected to an extended lead-time; please consult factory for more information. Datum's state-of-the-art electrostatic powder coat has the capability to paint virtually any color. Minimum upcharge: \$300.00 NET. Please contact the factory for more information.

**Datum will only accept returns according to the Cancellation & Returns Policy on the following paint finishes: T15, T47 and T86.**

**Design Ownership:** All designs, plans, layouts, drawings, and specifications are the property of Datum Storage Solutions and may not be used, reproduced or distributed, in whole or part, without prior written consent.

**Freight Charges:** All shipments will be pre-pay and add unless otherwise specified. Freight charges will be added to the invoice or billed separately, depending on arrangements. Selection of the delivering carrier will be made by Datum Storage Solutions. All freight charges, except carrier's minimums, non-direct and intrastate, will be discounted. Datum Storage Solutions participates in various discount programs with carriers. Any remaining discount amounts not credited to the buyer are used to offset handling, processing, packaging, and related administrative expenses. Buyer has the option of selecting their own carrier, F.O.B. Shipping Point. If this option is selected, shipment must go Freight Collect or third party, and Datum Storage Solutions' responsibilities end when the order leaves our dock. A per-package handling charge of \$10.00 may be added for UPS and FedEx shipments. Datum Storage Solutions is not responsible for brokerage, customs, warehousing or any other fees associated with international shipments.

**Weight:** Weights shown are approximate and do not include dunnage.

**Freight Claims:** Datum takes the utmost care when packing our product to prevent shipping damage. It is your responsibility to note on the freight carrier's delivery receipt any damage incurred while in transit. All damage claims must be submitted by you with the carrier.

Concealed damage must be reported to Datum and/or the freight carrier in less than 15 days from the receipt of shipment. If concealed damage is reported in less than 15 days, the carrier and Datum will absorb two third's of the net product cost, the balance of the cost for the replacement product will be billed to the dealer under the original purchase order number. All damage claims must be submitted by you with the carrier.

All concealed damage claims reported after the 15-day time limit become the responsibility of the dealer. All concealed damage claims must be submitted by you with the carrier.

All product that is delivered to a warehouse or an installation facility must be inspected prior to delivering to end destination. If damage is reported after the product is moved, the dealer is responsible for filing the claim with the carrier. If damage is found prior to moving the product, after being signed clear, it must be reported in less than 15 days from delivery.

Concealed damage incurred by a third party carrier is not the responsibility of Datum Storage Solutions.

**Note: Crating your product may reduce damage. Datum offers crating for a charge of \$75.00 per skid. Please contact the factory for details.**

**CAUTION: When you give a delivering carrier a clear receipt for a shipment in which there is damaged merchandise or a shortage, the carrier is relieved of further responsibility. DAMAGE AND SHORTAGE CLAIMS MUST BE FILED BY YOU WITH THE DELIVERING CARRIER. Datum Storage Solutions will not accept return merchandise damaged in transit. Your claim is with the delivering carrier.**

# Commercial Terms & Conditions, Continued

---

**Cancellations & Returns:** ORDERS FOR "SPECIAL" OR "CUSTOM" ITEMS ARE NOT SUBJECT TO CHANGE OR CANCELLATION. No returned merchandise will be accepted without written consent of Datum Storage Solutions. All returned shipments are to be freight prepaid by the shipper and are subject to a handling charge of 25% plus reimbursement of all original transportation charges incurred by Datum Storage Solutions. Once production of "non-stock" items has begun, cancellation of the order is subject to Datum Storage Solutions' approval and a 25% surcharge will be assessed on all approved cancellation items. Custom colors or laminate panels are not returnable.

Return authorization must be requested within 30 days of invoicing and no product may be returned without a prior written return authorization. All returns must be made within 30 days of receiving the written return authorization and are subject to a 25% restocking charge (\$20.00 minimum) plus all incurred freight charges. All returns must be in original packaging and in resellable condition for a credit to be issued. Datum will not issue return authorizations on product that has been assembled by the dealer or the end user.

NO GOODS ACCEPTED FOR RETURN WITHOUT PRIOR APPROVAL. Seller must have the right to inspect any goods claimed to be defective at Buyer's place of business or require Buyer to return the goods to the Seller for inspection on Seller's premises. Transportation charges covering returned goods will be borne by Seller only if such goods are proven to be defective.

**Storage:** Datum does not have the facilities to store completed orders, therefore all orders must ship when completed. If a postponement of product shipment is requested by the Dealer after the ordered goods are released to manufacturing or at a time when Datum is ready to ship the ordered goods, Datum may transfer the ordered goods to storage at the Dealer's risk and expense. This transfer to storage will be considered delivery to the Dealer for all purposes including invoicing and payment.

**Replacements:** Replacement requests for damaged or missing parts must be submitted to Datum within 30 days of receipt of product. Damaged product must be signed for, damaged or refused, and reported within 30 days of receipt of product. Replacement requests made after 30 days of receipt of order will be sent out at dealer cost plus freight.

**Lifetime Warranty:\*** Datum Storage Solutions warrants to the original purchaser for the life of the product that it shall be free of any defect in materials or workmanship, so long as the original purchaser is the owner and possessor of the product and the product is installed by a Datum Certified Installer. **For a period of two years from the date of shipment, Datum Storage Solutions will provide all labor free of charge** at the location of the product to repair or replace any part that fails because of such defects. After two years from date of shipment, labor will no longer be provided. All replacements parts will be supplied for the life of the product so long as all requirements are met as set forth in this warranty. This warranty does not include defects to the product resulting from accident, misuse, improper installation or operation, normal wear, neglect, unauthorized repair or alteration. The purchase of this product shall constitute a purchaser's agreement that the sole remedy for any breach of warranty shall be such repair or replacement as expressly provided above. In no event shall Datum Storage Solutions be liable for any incidental or consequential damages arising out of the use or inability to use the product for any purpose whatsoever. Effective January 1, 2015.

**ANY PRODUCT NOT INSTALLED BY A DATUM CERTIFIED INSTALLER WILL RECEIVE A ONE-YEAR PARTS WARRANTY.**

Contact Datum Storage Solutions for a Datum Certified Installer in your area.

\*Lifetime Warranty excludes all tambour doors and all electrical components, which carry a two-year warranty.  
Excludes all sales outside of the contiguous 48 states, Canada and Mexico.



## General Service Administration Terms & Conditions Authorized Federal Supply Schedule

### Datum Filing Systems, Inc. / dba Datum Storage Solutions Contract GS-28F-005BA

- Supply Schedule FSC Group 71, Part 1 – Office Furniture
- Contract Period: November 5, 2013 through November 4, 2018
- Datum Storage Solutions Cage Number – 0A9H7
- Datum Storage Solutions DUNS # 061974549
- Datum Storage Solutions Federal ID Number – 11-2156739
- Datum is a Small Business and registered in S.A.M.
- Datum Storage Solutions is on GSA Advantage. To purchase Datum products on GSA go to:



- Special Item Numbers:
  - SIN 711-2 Computer Furniture (Technical Furniture)
  - SIN 711-3 Filing & Storage Shelving (Ez2<sup>®</sup> Rotary Action File, 4Post<sup>™</sup> Shelving and Computer Security)
  - SIN 711-7 High-Density, Movable Filing Systems (ThinStak<sup>®</sup>, TrakSlider<sup>™</sup> and MobileTrak<sup>®</sup>)

#### Contact Datum for discounting.

- SIN 711-94 Design Services (if used, \$75.00/Hour)
- SIN 711-95 Installation-related Services
- Maximum Order: \$500,000.00 Net
- Minimum Order: \$100.00 Net
- Geographic Coverage: Worldwide
- Point of Production: Emigsville, PA 17318
- Discount from List Price:
 

|       |                         |
|-------|-------------------------|
| 57.9% | \$100.00 – \$74,999.00  |
| 60.1% | \$75,000 – \$500,000.00 |
- Prompt Payment Discount Terms: ½% 20 Days, Net 30 Days
- Government Purchase Cards are accepted.
- Foreign Items: None
- Delivery: 30-90 Days ARO, expedited and overnight delivery not on contract.
- Shipping Terms: F.O.B. Origin, Freight Prepay and Add. Contact Datum for freight quotes.
- ORDERING & PAYMENT ADDRESS:

Datum Filing Systems, Inc. dba/ Datum Storage Solutions  
89 Church Road  
P.O. Box 355  
Emigsville, PA 17318-0355

Phone: 800-828-8018  
Fax: 888-345-4641  
www.datumstorage.com  
gsa@datumstorage.com

**Datum Filing & Storage products on GSA contract are denoted with a single asterisk in the Table of Contents. Additionally, all Datum products in this Price Book are on GSA unless noted with a "NOT ON GSA" banner across the page or an asterisk after the item number and corresponding asterisk with "Item is not available in GSA contract". Pages containing product on GSA will have a GSA logo on the bottom outside corner of the page.**



# General Service Administration Terms & Conditions Authorized Federal Supply Schedule

- **Warranty Information:** Datum Storage Solutions warrants to the original purchaser for the life of the product that it shall be free of any defect in materials or workmanship, so long as the original purchaser is the owner and possessor of the product and the product is installed by a Datum Certified Installer. **For a period of two years from the date of shipment, Datum Storage Solutions will provide all labor free of charge** at the location of the product to repair or replace any part that fails because of such defects. After two years from date of shipment, labor will no longer be provided. All replacement parts will be supplied for the life of the product so long as all requirements are met as set forth in this warranty. This warranty does not include defects to the product resulting from accident, misuse, improper installation or operation, normal wear, neglect, unauthorized repair or alteration. The purchase of this product shall constitute a purchaser's agreement that the sole remedy for any breach of warranty shall be such repair or replacement as expressly provided above. In no event shall Datum Storage Solutions be liable for any incidental or consequential damages arising out of the use or inability to use the product for any purpose whatsoever. Effective January 1, 2015.
- **Export Packaging:** Not included in contract
- Datum accepts government purchase cards.
- **Rental, Maintenance and Repair:** Not Applicable
- **Terms of Installation Service:** For orders with a NET value of \$500.00 or less, the install price is \$75.00. Installation charges for orders with a NET value over \$500.00 will need to be negotiated between the Datum dealer and the customer
- **Cancellation Policy:** Cancellation must be submitted in writing and approved by Datum Storage Solutions. No charge prior to production. After production has begun only actual cost incurred will be billed to the government that cannot be recovered through resale in six months.
- **Return/Restocking Policy:** Datum Storage Solutions will accept the return of non-custom merchandise after shipment with prior authorization from Datum. Request must be submitted within 30 days of receipt of product. Product must be returned to Datum in resellable condition within 30 days after getting authorization from Datum. Returns will be subject to a 20% restocking charge, plus freight.

**Datum Filing & Storage products on GSA contract are denoted with a single asterisk in the Table of Contents. Additionally, all Datum products in this Price Book are on GSA unless noted with a "NOT ON GSA" banner across the page or an asterisk after the item number and corresponding asterisk with "Item is not available in GSA contract". Pages containing product on GSA will have a GSA logo on the bottom outside corner of the page.**



## Mailroom Furniture

# General Service Administration Terms & Conditions Authorized Federal Supply Schedule

### Datum Filing Systems, Inc. / dba Datum Storage Solutions Contract GS-28F-006CA

- Supply Schedule FSC Group 71, Part III – Special Use Furniture
- Contract Period: January 28, 2015 through January 27, 2020
- Datum Storage Solutions Cage Number – 0A9H7
- Datum Storage Solutions DUNS # 061974549
- Datum Storage Solutions Federal ID Number – 11-2156739
- Datum is a Small Business and registered in S.A.M.
- Datum Storage Solutions is on GSA Advantage. To purchase Datum products on GSA go to:



- Special Item Number(s) 71-306, 71-304
- Maximum order guideline: \$50,000.00
- Minimum order limitation: \$100.00
- Delivery Area: Worldwide
- Points of production: Emigsville, PA
- Discount from List Price: 57.4% \$100.00 – \$29,999.00  
59.7% \$30,000.00+
- Prompt Payment Terms: ½% 10 days, NET 30.
- Government Purchase Cards are accepted.
- All products are made in the USA.
- Time of delivery: 30-60 days ARO
- F.O.B. Point: Origin/Prepay
- Ordering & payment address:  
89 Church Road  
P.O. Box 355  
Emigsville, PA 17318-0355

• Warranty Information: Datum Storage Solutions warrants to the original purchaser for the life of the product that it shall be free of any defect in materials or workmanship, so long as the original purchaser is the owner and possessor of the product and the product is installed by a Datum Certified Installer. **For a period of two years from the date of shipment, Datum Storage Solutions will provide all labor free of charge** at the location of the product to repair or replace any part that fails because of such defects. After two years from date of shipment, labor will no longer be provided. All replacements parts will be supplied for the life of the product so long as all requirements are met as set forth in this warranty. This warranty does not include defects to the product resulting from accident, misuse, improper installation or operation, normal wear, neglect, unauthorized repair or alteration. The purchase of this product shall constitute a purchaser's agreement that the sole remedy for any breach of warranty shall be such repair or replacement as expressly provided above. In no event shall Datum Storage Solutions be liable for any incidental or consequential damages arising out of the use or inability to use the product for any purpose whatsoever. Effective January 1, 2015.

**Datum Mailroom products on GSA contract are denoted with a double asterisk in the Table of Contents. Additionally, all Datum products in this Price Book are on GSA unless noted with a "NOT ON GSA" banner across the page or an asterisk after the item number and corresponding asterisk with "Item is not available in GSA contract". Pages containing product on GSA will have a GSA logo on the bottom outside corner of the page.**

# Mail Master™ General Information and Specifications

## Sort Modules

Sort module exterior and vertical dividers constructed of 3/4 inch 45-50 lb. substrate (particle board) with thermally fused laminate finish and matching or complimentary 3/8" PVC on front edges.

Shelves and shelf standards constructed of steel. Shelves adjust in one-inch increments and have 90 degree 1/2" label lip. All steel parts are thoroughly cleaned using a three-stage iron phosphate washer and then coated with an Epoxy-Hybrid powder coat finish using a state-of-the-art electrostatic paint system. Powder coating provides a superior, attractive, uniform finish that is more durable, scratch and corrosion resistant, and environmentally friendly than liquid paint.

## Open Back Modules

All Mail Master™ sort modules are available with open backs for pass-through sorting. Just add "OB" suffix to model number. Open back models feature 1/2" label area on front and back shelf edge. Plexiglas doors are an optional accessory for open back modules, see page 9.

## Stacking Modules

Any Mail Master™ sort module may be stacked with module of equal width and depth. When ordering, specify which modules will be stacked. Factory will pre-drill and provide screws for secure stacking.

## Wall Mounted Modules

Any Mail Master™ sort module may be factory-modified for wall mounting. Add -WM to the end of your part number to denote wall mounting and add 25% to list price for modification. Factory provides steel mounting brackets which must be field-installed to mount at wall studs.

## Color and Trim Matching Chart

| Laminates/Melamines | Color Code | Std. Interior    | 3MM PVC Trim Color           |
|---------------------|------------|------------------|------------------------------|
| Sapelli Mahogany    | M25        | Sapelli Mahogany | Sapelli Mahogany             |
| Finnish Oak         | M15        | Finnish Oak      | Light Oak (wood grain)       |
| Hard Rock Maple     | M10        | Hard Rock Maple  | Hard Rock Maple (wood grain) |
| Regal Cherry        | M20        | Regal Cherry     | Regal Cherry                 |
| Black               | M26        | Black            | Black                        |
| Antique White       | M46        | Antique White    | Antique White                |
| Doeskin             | M65        | Doeskin          | Putty Gray                   |
| Smoke Gray          | M70        | Smoke Gray       | Dove Gray                    |
| Storm               | M75        | Storm            | Black                        |
| Cactus Star         | M85        | Cactus Star      | White Spectrum               |
| Beige Granite       | M90        | Beige Granite    | Pebble                       |
| Desert Dusk         | M95        | Desert Dusk      | Gray Nebula                  |
| Oyster Gray         | M64        | Oyster Gray      | Warm Brown                   |



# Mail Master™ General Information and Specifications, Continued

---

Tables

## **Materials**

Table Bases: Heavy gauge steel with an Epoxy-Hybrid powder coat finish.  
Work Surface: 1.125" industrial grade 45-50 pound substrate. Finished in stain and mar-resistant. Thermally-fused Laminate with 3 mm PVC edging.  
All work surfaces include PVC edging.

## **Adjustable Height Tables**

CTA Series 30" or 36" deep, 22" long side and back panels.  
CMA Series 24" deep, 22" long side and back panels.  
STA Series 30" or 36" deep, 16" long side and back panels.  
MTA Series 24" deep, 16" long side and back panels.

All are available as open table, table with bottom shelf only, or table with bottom shelf and sliding doors. Intermediate shelf available for CTA and CMA Series, see pages 16.

Table legs are 1-1/4" square steel tubing coated with an Epoxy-Hybrid powder coat finish using a state-of-the-art electrostatic paint system. Height adjustable from 28" to 36" in one-inch increments.

## **Fixed Height Tables**

BC and MBC Series Base Cabinet

Flush to floor with leveling glides and 3" toe space at front of cabinet.

Includes bottom shelf and sliding doors.

Available in 30" or 36" high models.

BC Series is 30" or 36" deep.

MBC Series is 24" deep.

Intermediate shelf also available, see page 16.

WT Tables 30" deep, 29-1/2" fixed height with 6" high, powder-coated 20 gauge steel apron. Table legs are 1-1/4" square steel tubing coated with an Epoxy-Hybrid powder coat finish using a state-of-the-art electrostatic paint system.

WTM Tables 24" deep, 29-1/2" fixed height with 6" high, powder-coated 20 gauge steel apron. Table legs are 1-1/4" square steel tubing coated with an Epoxy-Hybrid powder coat finish using a state-of-the-art electrostatic paint system.

## **36" Deep Tables**

Table base is 30" deep.

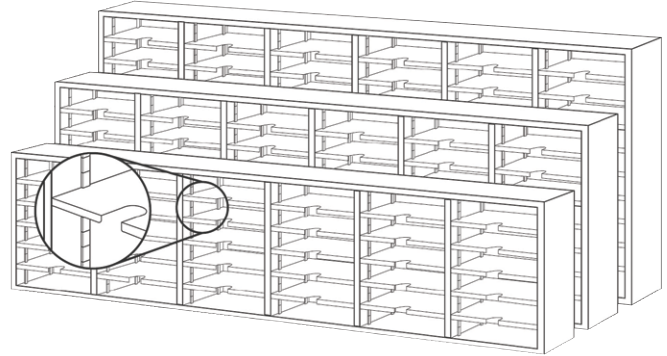
Tabletop is 36" deep with 3" overhang in front and back.

# Sort Modules - Letter Size

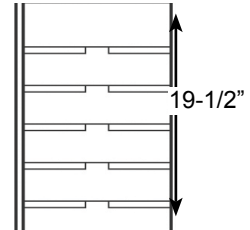
## Net Opening Size Each Sort: 11-1/4"W x 11-1/4"D

Letter size modules include one shelf every three inches, providing 2-1/2" clearance between shelves. Shelves adjust in 1" increments. Each shelf has 1/2" label area with centered cut-out.

- To increase the number of sorts, order extra shelves.
- To increase the height of each opening, deduct shelves.
- For shelf pricing, see page 10.
- For more sort module accessories, see page 9.
- For finishing options, see page 1.

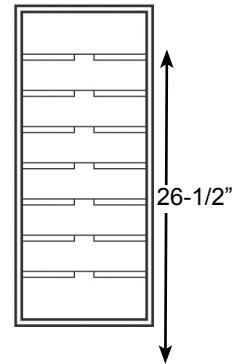


| Item # | Overall Height | Overall Width | Overall Depth | # of Shelves | # of Openings | Weight | List Price |
|--------|----------------|---------------|---------------|--------------|---------------|--------|------------|
| SR1901 | 19-1/2"        | 13-1/8"       | 12-1/4"       | 5            | 6             | 35     | 441.00     |
| SR1902 | 19-1/2"        | 25-3/8"       | 12-1/4"       | 10           | 12            | 70     | 615.00     |
| SR1903 | 19-1/2"        | 37-3/4"       | 12-1/4"       | 15           | 18            | 85     | 790.00     |
| SR1904 | 19-1/2"        | 50-1/8"       | 12-1/4"       | 20           | 24            | 105    | 960.00     |
| SR1905 | 19-1/2"        | 62-3/8"       | 12-1/4"       | 25           | 30            | 120    | 1,129.00   |
| SR1906 | 19-1/2"        | 74-3/4"       | 12-1/4"       | 30           | 36            | 135    | 1,302.00   |



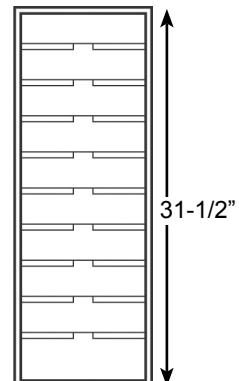
## Net I.D. Height Each Section: 18"

| Item # | Overall Height | Overall Width | Overall Depth | # of Shelves | # of Openings | Weight | List Price |
|--------|----------------|---------------|---------------|--------------|---------------|--------|------------|
| SR2601 | 26-1/2"        | 13-1/8"       | 12-1/4"       | 7            | 8             | 45     | 487.00     |
| SR2602 | 26-1/2"        | 25-3/8"       | 12-1/4"       | 14           | 16            | 80     | 699.00     |
| SR2603 | 26-1/2"        | 37-3/4"       | 12-1/4"       | 21           | 24            | 110    | 917.00     |
| SR2604 | 26-1/2"        | 50-1/8"       | 12-1/4"       | 28           | 32            | 130    | 1,129.00   |
| SR2605 | 26-1/2"        | 62-3/8"       | 12-1/4"       | 35           | 40            | 150    | 1,346.00   |
| SR2606 | 26-1/2"        | 74-3/4"       | 12-1/4"       | 42           | 48            | 180    | 1,563.00   |



## Net I.D. Height Each Section: 25"

| Item # | Overall Height | Overall Width | Overall Depth | # of Shelves | # of Openings | Weight | List Price |
|--------|----------------|---------------|---------------|--------------|---------------|--------|------------|
| SR3101 | 31-1/2"        | 13-1/8"       | 12-1/4"       | 9            | 10            | 55     | 523.00     |
| SR3102 | 31-1/2"        | 25-3/8"       | 12-1/4"       | 18           | 20            | 100    | 774.00     |
| SR3103 | 31-1/2"        | 37-3/4"       | 12-1/4"       | 27           | 30            | 145    | 1,031.00   |
| SR3104 | 31-1/2"        | 50-1/8"       | 12-1/4"       | 36           | 40            | 190    | 1,278.00   |
| SR3105 | 31-1/2"        | 62-3/8"       | 12-1/4"       | 45           | 50            | 235    | 1,529.00   |
| SR3106 | 31-1/2"        | 74-3/4"       | 12-1/4"       | 54           | 60            | 280    | 1,782.00   |



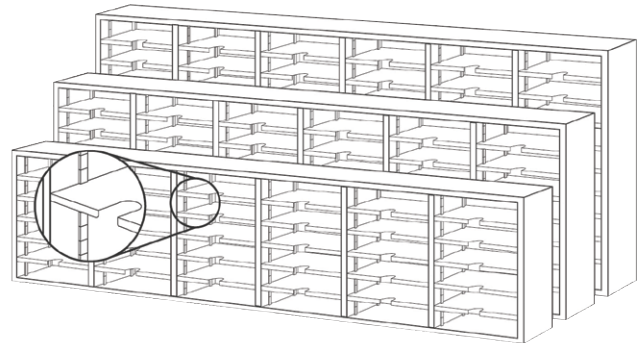
## Net I.D. Height Each Section: 30"

# Sort Modules - Legal Size

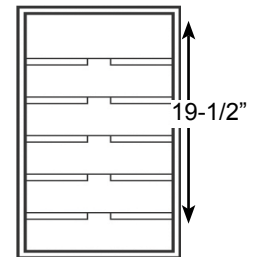
## Net Opening Size Each Sort: 11-1/4"W x 15-1/4"D

Legal size modules include one shelf every three inches, providing 2-1/2" clearance between shelves. Shelves adjust in 1" increments. Each shelf has 1/2" label area with centered cut-out.

- To increase the number of sorts, order extra shelves.
- To increase the height of each opening, deduct shelves.
- For shelf pricing, see page 10.
- For more sort module accessories, see page 9.
- For finishing options, see page 1.

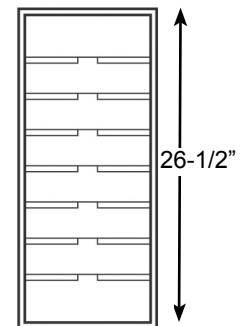


| Item #   | Overall Height | Overall Width | Overall Depth | # of Shelves | # of Openings | Weight | List Price |
|----------|----------------|---------------|---------------|--------------|---------------|--------|------------|
| SR1951   | 19-1/2"        | 13-1/8"       | 16-1/4"       | 5            | 6             | 45     | 460.00     |
| SR1952   | 19-1/2"        | 25-3/8"       | 16-1/4"       | 10           | 12            | 80     | 647.00     |
| SR1952OB | 19-1/2"        | 25-3/8"       | 16-1/4"       | 10           | 12            | 80     | 647.00     |
| SR1953   | 19-1/2"        | 37-3/4"       | 16-1/4"       | 15           | 18            | 120    | 835.00     |
| SR1954   | 19-1/2"        | 50-1/8"       | 16-1/4"       | 20           | 24            | 145    | 1,023.00   |
| SR1955   | 19-1/2"        | 62-3/8"       | 16-1/4"       | 25           | 30            | 175    | 1,214.00   |
| SR1956   | 19-1/2"        | 74-3/4"       | 16-1/4"       | 30           | 36            | 205    | 1,399.00   |



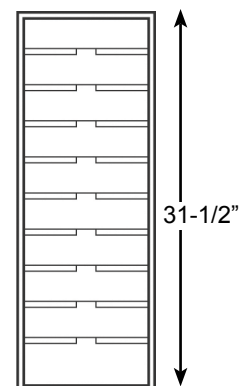
## Net I.D. Height Each Section: 18"

| Item # | Overall Height | Overall Width | Overall Depth | # of Shelves | # of Openings | Weight | List Price |
|--------|----------------|---------------|---------------|--------------|---------------|--------|------------|
| SR2651 | 26-1/2"        | 13-1/8"       | 16-1/4"       | 7            | 8             | 55     | 507.00     |
| SR2652 | 26-1/2"        | 25-3/8"       | 16-1/4"       | 14           | 16            | 98     | 741.00     |
| SR2653 | 26-1/2"        | 37-3/4"       | 16-1/4"       | 21           | 24            | 130    | 982.00     |
| SR2654 | 26-1/2"        | 50-1/8"       | 16-1/4"       | 28           | 32            | 170    | 1,220.00   |
| SR2655 | 26-1/2"        | 62-3/8"       | 16-1/4"       | 35           | 40            | 220    | 1,456.00   |
| SR2656 | 26-1/2"        | 74-3/4"       | 16-1/4"       | 42           | 48            | 270    | 1,692.00   |



## Net I.D. Height Each Section: 25"

| Item # | Overall Height | Overall Width | Overall Depth | # of Shelves | # of Openings | Weight | List Price |
|--------|----------------|---------------|---------------|--------------|---------------|--------|------------|
| SR3151 | 31-1/2"        | 13-1/8"       | 16-1/4"       | 9            | 10            | 65     | 548.00     |
| SR3152 | 31-1/2"        | 25-3/8"       | 16-1/4"       | 18           | 20            | 120    | 829.00     |
| SR3153 | 31-1/2"        | 37-3/4"       | 16-1/4"       | 27           | 30            | 175    | 1,108.00   |
| SR3154 | 31-1/2"        | 50-1/8"       | 16-1/4"       | 36           | 40            | 230    | 1,384.00   |
| SR3155 | 31-1/2"        | 62-3/8"       | 16-1/4"       | 45           | 50            | 285    | 1,646.00   |
| SR3156 | 31-1/2"        | 74-3/4"       | 16-1/4"       | 54           | 60            | 340    | 1,987.00   |



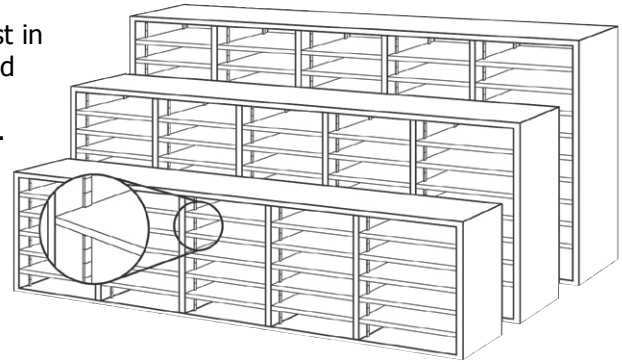
## Net I.D. Height Each Section: 30"

# Sort Modules - Oversize

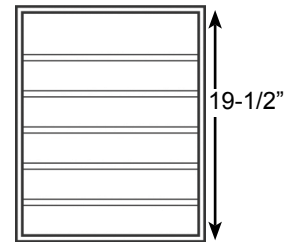
## Net Opening Size Each Sort: 13-1/2"W x 15-1/4"D

Oversize modules include one shelf every three inches, providing 2-1/2" clearance between shelves. Shelves adjust in 1" increments. Each shelf has 1/2" label area with centered cut-out.

- To increase the number of sorts, order extra shelves.
- To increase the height of each opening, deduct shelves.
- For shelf pricing, see page 10.
- For more sort module accessories, see page 9.
- For finishing options, see page 1.

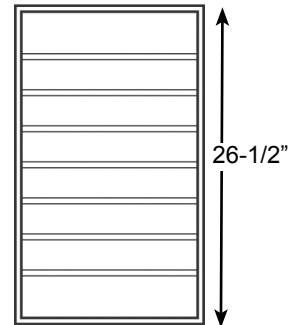


| Item # | Overall Height | Overall Width | Overall Depth | # of Shelves | # of Openings | Weight | List Price |
|--------|----------------|---------------|---------------|--------------|---------------|--------|------------|
| SR1981 | 19-1/2"        | 15-5/8"       | 16-1/4"       | 5            | 6             | 54     | 525.00     |
| SR1982 | 19-1/2"        | 30-1/2"       | 16-1/4"       | 10           | 12            | 96     | 743.00     |
| SR1983 | 19-1/2"        | 45-1/4"       | 16-1/4"       | 15           | 18            | 144    | 960.00     |
| SR1984 | 19-1/2"        | 60"           | 16-1/4"       | 20           | 24            | 174    | 1,177.00   |
| SR1985 | 19-1/2"        | 74-3/4"       | 16-1/4"       | 25           | 30            | 216    | 1,399.00   |



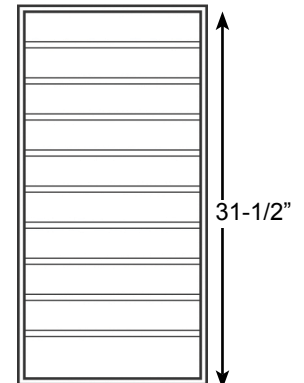
### Net I.D. Height Each Section: 18"

| Item # | Overall Height | Overall Width | Overall Depth | # of Shelves | # of Openings | Weight | List Price |
|--------|----------------|---------------|---------------|--------------|---------------|--------|------------|
| SR2681 | 26-1/2"        | 15-5/8"       | 16-1/4"       | 7            | 8             | 66     | 582.00     |
| SR2682 | 26-1/2"        | 30-1/2"       | 16-1/4"       | 14           | 16            | 117    | 856.00     |
| SR2683 | 26-1/2"        | 45-1/4"       | 16-1/4"       | 21           | 24            | 155    | 1,127.00   |
| SR2684 | 26-1/2"        | 60"           | 16-1/4"       | 28           | 32            | 205    | 1,399.00   |
| SR2685 | 26-1/2"        | 74-3/4"       | 16-1/4"       | 35           | 40            | 256    | 1,750.00   |



### Net I.D. Height Each Section: 25"

| Item # | Overall Height | Overall Width | Overall Depth | # of Shelves | # of Openings | Weight | List Price |
|--------|----------------|---------------|---------------|--------------|---------------|--------|------------|
| SR3181 | 31-1/2"        | 15-5/8"       | 16-1/4"       | 9            | 10            | 75     | 627.00     |
| SR3182 | 31-1/2"        | 30-1/2"       | 16-1/4"       | 18           | 20            | 140    | 947.00     |
| SR3183 | 31-1/2"        | 45-1/4"       | 16-1/4"       | 27           | 30            | 205    | 1,274.00   |
| SR3184 | 31-1/2"        | 60"           | 16-1/4"       | 36           | 40            | 220    | 1,583.00   |
| SR3185 | 31-1/2"        | 74-3/4"       | 16-1/4"       | 45           | 50            | 335    | 1,956.00   |



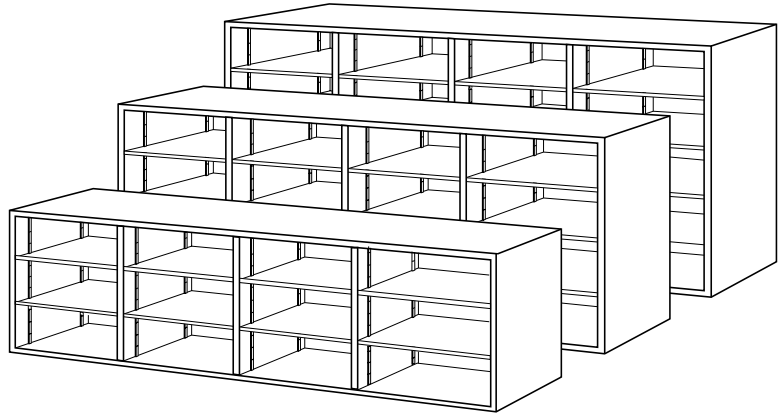
### Net I.D. Height Each Section: 30"

# Sort Modules - Jumbo

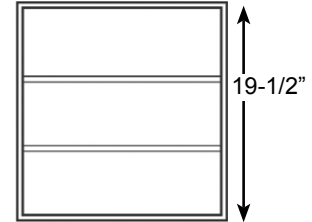
## Interior Shelf Clearance: 17-3/4"Wx15-1/4"D

Jumbo modules include one shelf every 6 inches, providing 5-1/2" clearance between shelves. Shelves adjust in 1" increments. Each shelf has 1/2" full width label area.

- To increase the number of sorts, order extra shelves.
- To increase the height of each opening, deduct shelves.
- For shelf pricing, see page 10.
- For more sort module accessories, see page 9.
- For finishing options, see page 1.

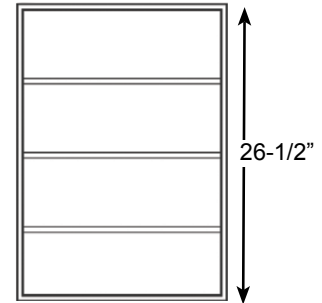


| Item # | Overall Height | Overall Width | Overall Depth | # of Shelves | # of Openings | Weight | List Price |
|--------|----------------|---------------|---------------|--------------|---------------|--------|------------|
| SR1991 | 19-1/2"        | 19-7/8"       | 16-1/4"       | 2            | 3             | 60     | 695.00     |
| SR1992 | 19-1/2"        | 39"           | 16-1/4"       | 4            | 6             | 100    | 856.00     |
| SR1993 | 19-1/2"        | 58-1/16"      | 16-1/4"       | 6            | 9             | 150    | 1,156.00   |
| SR1994 | 19-1/2"        | 77-1/8"       | 16-1/4"       | 8            | 12            | 180    | 1,560.00   |



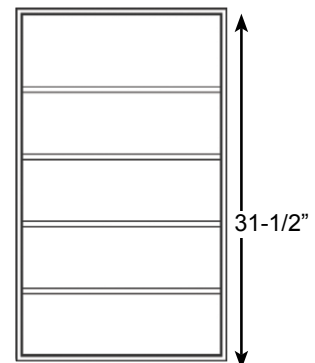
### Net I.D. Height Each Section: 18"

| Item # | Overall Height | Overall Width | Overall Depth | # of Shelves | # of Openings | Weight | List Price |
|--------|----------------|---------------|---------------|--------------|---------------|--------|------------|
| SR2691 | 26-1/2"        | 19-7/8"       | 16-1/4"       | 3            | 4             | 80     | 768.00     |
| SR2692 | 26-1/2"        | 39"           | 16-1/4"       | 6            | 8             | 120    | 1,067.00   |
| SR2693 | 26-1/2"        | 58-1/16"      | 16-1/4"       | 9            | 12            | 160    | 1,345.00   |
| SR2694 | 26-1/2"        | 77-1/8"       | 16-1/4"       | 12           | 16            | 205    | 1,692.00   |



### Net I.D. Height Each Section: 25"

| Item # | Overall Height | Overall Width | Overall Depth | # of Shelves | # of Openings | Weight | List Price |
|--------|----------------|---------------|---------------|--------------|---------------|--------|------------|
| SR3191 | 31-1/2"        | 19-7/8"       | 16-1/4"       | 4            | 5             | 90     | 840.00     |
| SR3192 | 31-1/2"        | 39"           | 16-1/4"       | 8            | 10            | 145    | 1,329.00   |
| SR3193 | 31-1/2"        | 58-1/16"      | 16-1/4"       | 12           | 15            | 205    | 1,677.00   |
| SR3194 | 31-1/2"        | 77-1/8"       | 16-1/4"       | 16           | 20            | 270    | 2,114.00   |

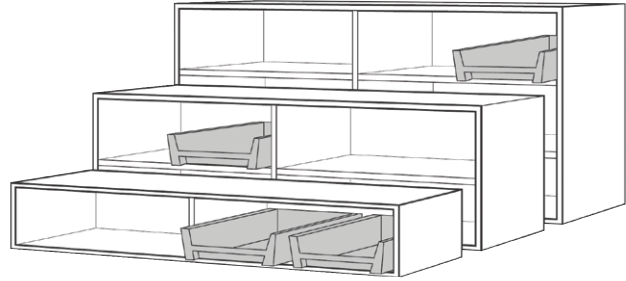


### Net I.D. Height Each Section: 30"

# Sort Modules - Bin

## Net I.D. All Shelves: 15-1/4"D x 10-1/2"H

Bin Sort Modules feature flat shelves for use with hopper front bins. Select from several different widths in one, two and three tier modules. Select from two sizes of plastic bins. Bins ordered separately.



| Item #  | Description    | Outside Height | Outside Width | Outside Depth | # of Shelves | Capacity    | Weight | List Price |
|---------|----------------|----------------|---------------|---------------|--------------|-------------|--------|------------|
| BSR48   | 1 (one) Tier   | 12"            | 48"           | 16-1/4"       | 2 @ 22-3/4"W | 4 ea. SB11  | 48     | 648.00     |
| BSR48-2 | 2 (two) Tier   | 23-1/4"        | 48"           | 16-1/4"       | 4 @ 22-3/4"W | 8 ea. SB11  | 74     | 1,114.00   |
| BSR48-3 | 3 (three) Tier | 34-1/2"        | 48"           | 16-1/4"       | 6 @ 22-3/4"W | 12 ea. SB11 | 100    | 1,471.00   |
| BSR54   | 1 (one) Tier   | 12"            | 53-3/4"       | 16-1/4"       | 2 @ 25-3/4"W | 4 ea. SB11  | 18     | 661.00     |
| BSR54-2 | 2 (two) Tier   | 23-1/4"        | 53-3/4"       | 16-1/4"       | 4 @ 25-3/4"W | 8 ea. SB11  | 84     | 1,129.00   |
| BSR54-3 | 3 (three) Tier | 34-1/2"        | 53-3/4"       | 16-1/4"       | 6 @ 25-3/4"W | 12 ea. SB11 | 120    | 1,494.00   |
| BSR60   | 1 (one) Tier   | 12"            | 60"           | 16-1/4"       | 2 @ 28-3/4"W | 4 ea. SB14  | 53     | 685.00     |
| BSR60-2 | 2 (two) Tier   | 23-1/4"        | 60"           | 16-1/4"       | 4 @ 28-3/4"W | 8 ea. SB14  | 93     | 1,172.00   |
| BSR60-3 | 3 (three) Tier | 34-1/2"        | 60"           | 16-1/4"       | 6 @ 28-3/4"W | 12 ea. SB14 | 133    | 1,552.00   |
| BSR62   | 1 (one) Tier   | 12"            | 62-3/8"       | 16-1/4"       | 2 @ 30"W     | 4 ea. SB14  | 55     | 757.00     |
| BSR62-2 | 2 (two) Tier   | 23-1/4"        | 62-3/8"       | 16-1/4"       | 4 @ 30"W     | 8 ea. SB14  | 96     | 1,231.00   |
| BSR62-3 | 3 (three) Tier | 34-1/2"        | 62-3/8"       | 16-1/4"       | 6 @ 30"W     | 12 ea. SB14 | 137    | 1,644.00   |
| BSR72   | 1 (one) Tier   | 12"            | 72"           | 16-1/4"       | 2 @ 34-3/4"W | 6 ea. SB11  | 66     | 806.00     |
| BSR72-2 | 2 (two) Tier   | 23-1/4"        | 72"           | 16-1/4"       | 4 @ 34-3/4"W | 12 ea. SB11 | 115    | 1,290.00   |
| BSR72-3 | 3 (three) Tier | 34-1/2"        | 72"           | 16-1/4"       | 6 @ 34-3/4"W | 18 ea. SB11 | 160    | 1,811.00   |

## Hopper Front Sort Bins

Hopper-Front Sort Bins



SB11  
(Black)

SB14  
(Black)

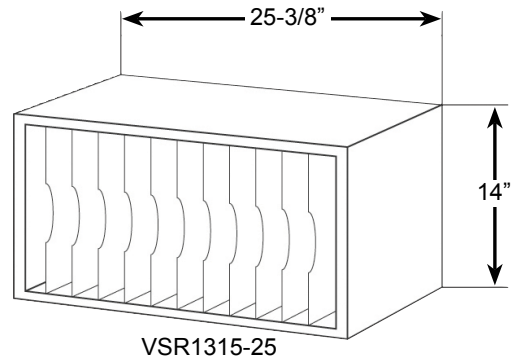
| Item # | Overall Height | Overall Width | Overall Depth | Inside Height | Inside Width | Inside Depth | Weight | List Price |
|--------|----------------|---------------|---------------|---------------|--------------|--------------|--------|------------|
| SB11   | 6"             | 11-1/8"       | 17-7/8"       | 8"            | 8-1/2"       | 14"          | 2      | 70.00      |
| SB14   | 8"             | 13-1/2"       | 20"           | 8"            | 11"          | 14"          | 2      | 81.00      |

## Hopper Front Bin

| Item #  | H  | W       | D   | Weight | List Price |
|---------|----|---------|-----|--------|------------|
| HFB1812 | 5" | 11-3/4" | 18" | 2      | 91.00      |

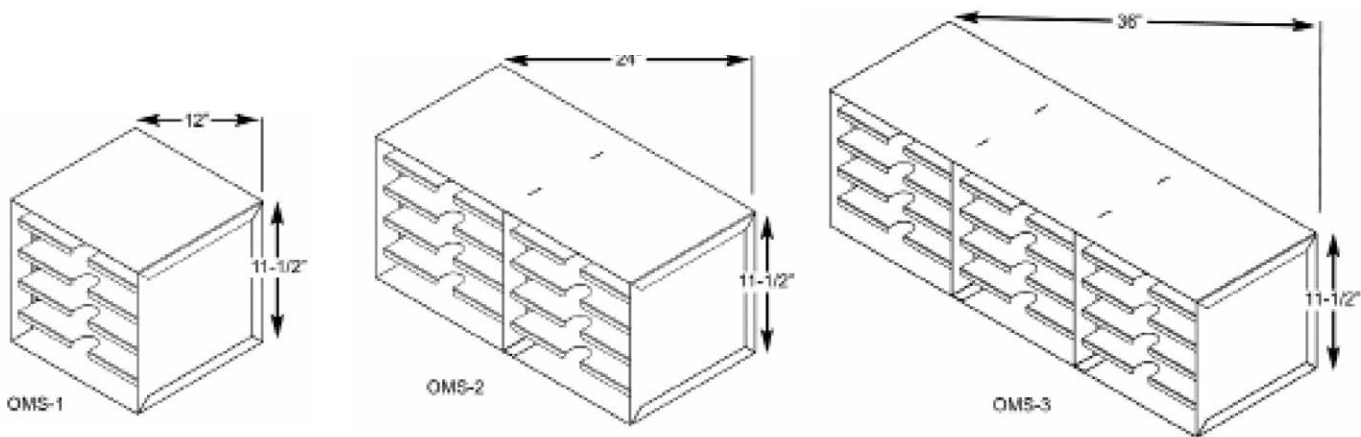
# Sort Modules - Vertical & Overhead

Vertical Modules include 1 divider every two inches.  
 Dividers adjust in 1 inch increments.  
 For replacement dividers, order model #D13, see page 10. For finishing options, see page 1.



| Item #     | Exterior Width | Exterior Depth | Exterior Height | # of Openings | Opening Width | Opening Depth | Opening Width | Weight | List Price |
|------------|----------------|----------------|-----------------|---------------|---------------|---------------|---------------|--------|------------|
| VSR1315-25 | 25-3/8"        | 15-3/4"        | 14"             | 12            | 2"            | 15-1/4"       | 11-3/4"       | 70     | 644.00     |
| VSR1315-50 | 50-1/8"        | 15-3/4"        | 14"             | 24            | 2"            | 15-1/4"       | 11-3/4"       | 120    | 1,188.00   |
| VSR1315-62 | 62-3/8"        | 15-3/4"        | 14"             | 30            | 2"            | 15-1/4"       | 11-3/4"       | 145    | 1,249.00   |

These all steel Overhead Modules fit into your systems furniture overhead to sort and organize mail, literature, or copy paper. Shelves adjust in 1 inch increments.

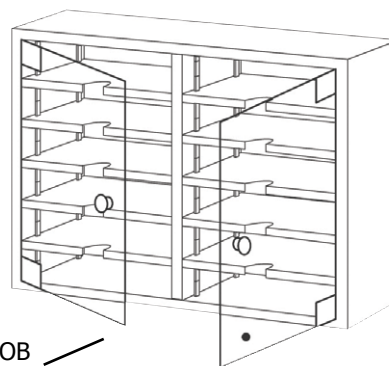


| Item # | Exterior Width | Exterior Depth | Exterior Height | # of Openings | Opening Width | Opening Depth | Weight | List Price |
|--------|----------------|----------------|-----------------|---------------|---------------|---------------|--------|------------|
| OMS-1  | 12"            | 11-3/4"        | 11-1/2"         | 5             | 11-3/4"       | 11-3/8"       | 15     | 186.00     |
| OMS-2  | 24"            | 11-3/4"        | 11-1/2"         | 10            | 11-3/4"       | 11-3/8"       | 30     | 280.00     |
| OMS-3  | 36"            | 11-3/4"        | 11-1/2"         | 15            | 11-3/4"       | 11-3/8"       | 45     | 374.00     |

# Sort Module Accessories

## Plex Doors

| Item # | Width         | Height  | List Price |
|--------|---------------|---------|------------|
| PD1951 | LTR/LGL       | 19-1/2" | 126.00     |
| PD2651 | LTR/LGL       | 26-1/2" | 135.00     |
| PD3151 | LTR/LGL       | 31-1/2" | 145.00     |
| PD1981 | OVR           | 19-1/2" | 145.00     |
| PD2681 | OVR           | 26-1/2" | 153.00     |
| PD3181 | OVR           | 31-1/2" | 165.00     |
| PDL5   | Optional Lock |         | 53.00      |

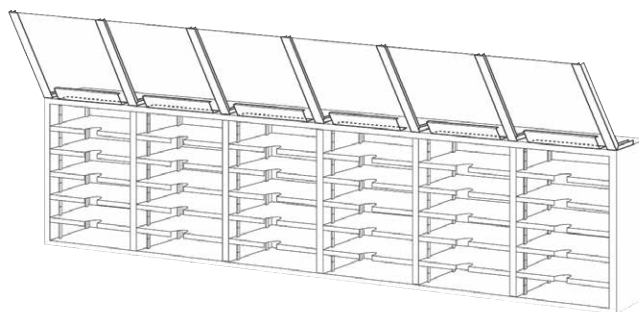


SR1952OB  
Shown with 2 ea. PD1951

When ordering open back sort modules for pass-through sorting, consider adding these lightweight transparent doors to keep sorted material in place until it is retrieved. Order one door for each vertical section of each sort module.

## Plex Display Headers

| Item # | Width   | Sort Module Size        | List Price |
|--------|---------|-------------------------|------------|
| PDH51  | 13-3/8" | 1 Section Letter/Legal  | 56.00      |
| PDH52  | 25-3/8" | *2 Section Letter/Legal | 100.00     |
| PDH53  | 37-3/4" | 3 Section Letter/Legal  | 149.00     |
| PDH54  | 50-1/8" | 4 Section Letter/Legal  | 200.00     |
| PDH55  | 62-3/8" | 5 Section Letter/Legal  | 251.00     |
| PDH56  | 74-3/4" | 6 Section Letter/Legal  | 301.00     |
| PDH81  | 15-5/8" | 1 Section Oversize      | 62.00      |
| PDH82  | 30-1/2" | *2 Section Oversize     | 112.00     |
| PDH83  | 45-1/4" | 3 Section Oversize      | 165.00     |
| PDH84  | 60"     | 4 Section Oversize      | 217.00     |
| PDH85  | 75-3/4" | 5 Section Oversize      | 275.00     |

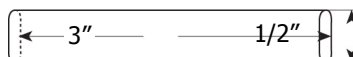


Routing lists may be displayed at the top of any Mail Master sort module with these clear plex display boards. Painted steel brackets mounted on top of sort module hold display boards at an angle for easy viewing.

\*Use Plex Display Header for 1 section module when 2 section module will be used at an angle in a corner, between two other sort modules.

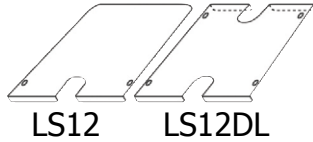
PTH Style- Plastic sleeves affix to shelf with double-sided tape provided. White label inserts included.

| Item # | Weight | List Price |
|--------|--------|------------|
| PTH3   | 0.001  | 1.00       |





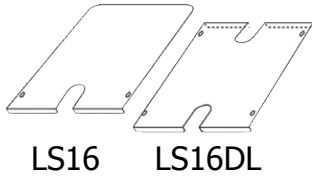
# Sort Module Shelves



**Letter Size Shelves:**

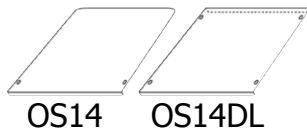
Net Opening Size:  
11-1/4"W x 11-1/4"D  
Label Lip: 1/2" x 4-3/4" on each side of 1-1/2" center cut out.

| Model # LS12 & LS12DL                                  | Weight | List Price |
|--|--------|------------|
| Standard Price - For shelf only                        | 2      | 19.00      |
| Discount Price - For shelf ordered with sort module    | 2      | 14.00      |
| Deduct Allowance - For shelf deducted from sort module | -2     | -6.00      |



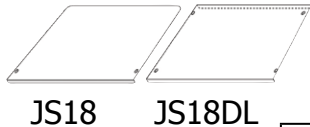
**Legal Size Shelves:**  
Net Opening Size:  
11-1/4"W x 15-1/2"D  
Label Lip: 1/2" x 4-3/4" on each side of 1-1/2" center cut out.

| Model # LS16 & LS16DL                                  | Weight | List Price |
|--|--------|------------|
| Standard Price - For shelf only                        | 3      | 28.00      |
| Discount Price - For shelf ordered with sort module    | 3      | 22.00      |
| Deduct Allowance - For shelf deducted from sort module | -3     | -9.00      |



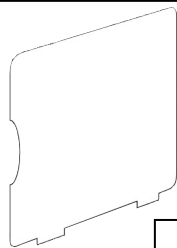
**Oversize Shelves:**  
Net Opening Size: 13-1/2"W x 15-1/2"D  
Label Lip: 1/2" x 13-1/2"

| Model # OS14 & OS14DL                                  | Weight | List Price |
|--|--------|------------|
| Standard Price - For shelf only                        | 3      | 29.00      |
| Discount Price - For shelf ordered with sort module    | 3      | 23.00      |
| Deduct Allowance - For shelf deducted from sort module | -3     | -9.00      |



**Jumbo Sort Shelf:**  
Net Opening Size:  
17-3/4"W x 15-1/2"D

| Model # JS18 & JS18DL                                  | Weight | List Price |
|--|--------|------------|
| Standard Price - For shelf only                        | 3      | 37.00      |
| Discount Price - For shelf ordered with sort module    | 3      | 27.00      |
| Deduct Allowance - For shelf deducted from sort module | -3     | -11.00     |

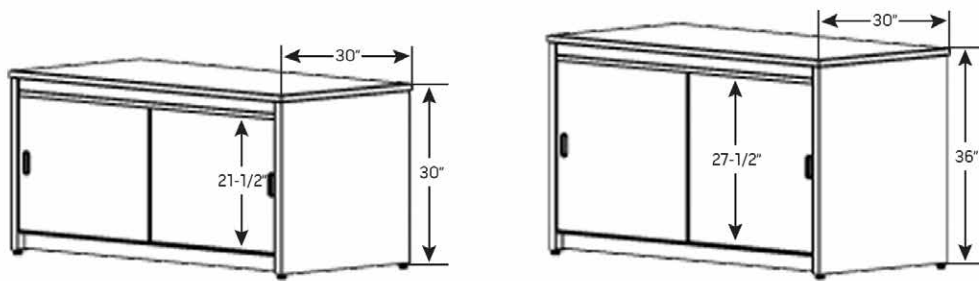


**VSR Divider:**  
Net Opening Size:  
15-1/4"D x 11-1/4"H  
Labels may be placed on 3/4" top or bottom panel of sort module.

| Model # D13  | Weight | List Price |
|--|--------|------------|
| Standard Price - For shelf only                        | 2      | 28.00      |
| Discount Price - For shelf ordered with sort module    | 2      | 22.00      |
| Deduct Allowance - For shelf deducted from sort module | -2     | -9.00      |

Actual shelf size is slightly larger than net opening size.

# Base Cabinet Tables



## BC Series 30" Deep

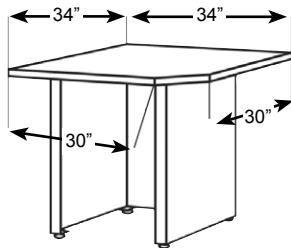
Base Cabinet (BC) tables are modular tables with the storage capacity and appearance of built in cabinets. All BC tables (except BC34 and BC37 angled corner tables) include a bottom shelf and doors. Intermediate shelf also available, see page 16.

### 30" DEEP X 30" HIGH

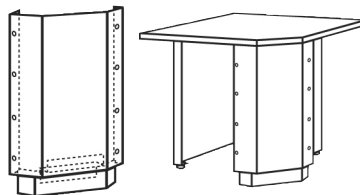
| Item #   | Width   | Est Lbs. | List Price |
|----------|---------|----------|------------|
| BC30-30H | 30"     | 125      | 1,544.00   |
| BC36-30H | 36"     | 130      | 1,805.00   |
| BC38-30H | 37-3/4" | 135      | 1,825.00   |
| BC45-30H | 45-1/2" | 145      | 1,836.00   |
| BC48-30H | 48"     | 160      | 1,842.00   |
| BC50-30H | 50-1/8" | 165      | 1,894.00   |
| BC60-30H | 60"     | 230      | 1,941.00   |
| BC62-30H | 62-3/8" | 225      | 2,003.00   |
| BC72-30H | 72"     | 246      | 2,179.00   |
| BC75-30H | 74-3/4" | 250      | 2,245.00   |
| BC84-30H | 84"     | 270      | 2,480.00   |
| BC88-30H | 88"     | 280      | 2,627.00   |

### 30" DEEP X 36" HIGH

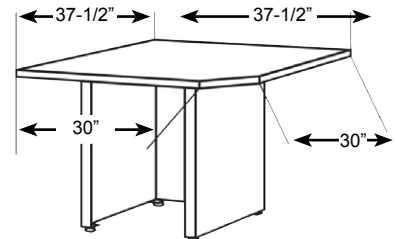
| Item #   | Width   | Est Lbs. | List Price |
|----------|---------|----------|------------|
| BC30-36H | 30"     | 130      | 1,755.00   |
| BC36-36H | 36"     | 135      | 2,006.00   |
| BC38-36H | 37-3/4" | 140      | 2,025.00   |
| BC45-36H | 45-1/2" | 150      | 2,034.00   |
| BC48-30H | 48"     | 165      | 2,075.00   |
| BC50-36H | 50-1/8" | 175      | 2,118.00   |
| BC60-36H | 60"     | 230      | 2,142.00   |
| BC62-36H | 62-3/8" | 235      | 2,158.00   |
| BC72-36H | 72"     | 256      | 2,400.00   |
| BC75-36H | 74-3/4" | 250      | 2,473.00   |
| BC84-36H | 84"     | 270      | 2,722.00   |
| BC88-36H | 88"     | 280      | 2,885.00   |



\*Corner table for two section  
Legal Size Sort Module



Angled corner tables include  
front filler panel.



\*Corner table for two section  
Oversize Sort Module

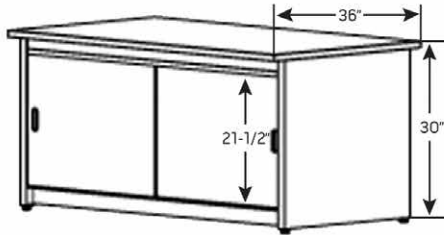
| Item#    | W   | D   | H   | Est Lbs. | List Price |
|----------|-----|-----|-----|----------|------------|
| BC34-30H | 34" | 34" | 30" | 130      | 1,194.00   |
| BC34-36H | 34" | 34" | 36" | 135      | 1,514.00   |

| Item#    | W       | D       | H   | Est Lbs. | List Price |
|----------|---------|---------|-----|----------|------------|
| BC37-30H | 37-1/2" | 37-1/2" | 30" | 130      | 1,194.00   |
| BC37-36H | 37-1/2" | 37-1/2" | 36" | 135      | 1,514.00   |

# Base Cabinet Tables, Continued

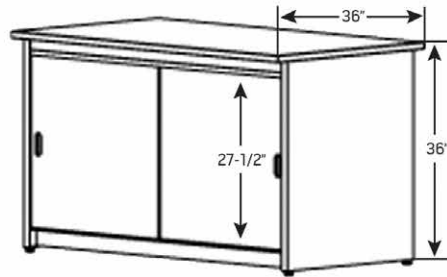
## BC Series 36" Deep

Base Cabinet (BC) tables are modular, portable tables with the storage capacity and appearance of built in cabinets. Intermediate shelf also available. see page 16.



**36" DEEP X 30" HIGH**

| Item #       | Width   | Est Lbs. | List Price |
|--------------|---------|----------|------------|
| BC30-30HX36D | 30"     | 130      | 1,637.00   |
| BC36-30HX36D | 36"     | 130      | 1,895.00   |
| BC38-30HX36D | 37-3/4" | 135      | 1,918.00   |
| BC45-30HX36D | 45-1/4" | 145      | 1,927.00   |
| BC48-30HX36D | 48"     | 160      | 1,936.00   |
| BC50-30HX36D | 50-1/8" | 165      | 1,986.00   |
| BC60-30HX36D | 60"     | 230      | 2,056.00   |
| BC62-30HX36D | 62-3/8" | 225      | 2,118.00   |
| BC72-30HX36D | 72"     | 246      | 2,296.00   |
| BC75-30HX36D | 74-3/4" | 250      | 2,397.00   |
| BC84-30HX36D | 84"     | 270      | 2,625.00   |
| BC88-30HX36D | 88"     | 280      | 2,774.00   |

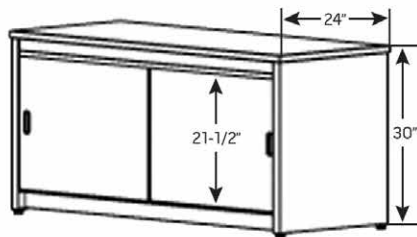


**36" DEEP X 36" HIGH**

| Item #       | Width   | Est Lbs. | List Price |
|--------------|---------|----------|------------|
| BC30-36HX36D | 30"     | 130      | 1,846.00   |
| BC36-36HX36D | 36"     | 130      | 2,099.00   |
| BC38-36HX36D | 37-3/4" | 140      | 2,116.00   |
| BC45-36HX36D | 45-1/4" | 150      | 2,126.00   |
| BC48-36HX36D | 48"     | 165      | 2,166.00   |
| BC50-36HX36D | 50-1/8" | 175      | 2,208.00   |
| BC60-36HX36D | 60"     | 230      | 2,258.00   |
| BC62-36HX36D | 62-3/8" | 235      | 2,273.00   |
| BC72-36HX36D | 72"     | 256      | 2,515.00   |
| BC75-36HX36D | 74-3/4" | 250      | 2,627.00   |
| BC84-36HX36D | 84"     | 270      | 2,870.00   |
| BC88-36HX36D | 88"     | 280      | 2,979.00   |

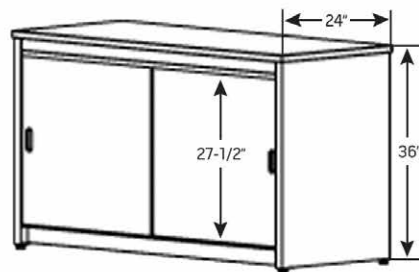
## MBC Series 24" Deep

MBC tables are modular, portable tables with the storage capacity and appearance of built in cabinets. All MBC tables include a bottom shelf and doors. Intermediate shelf also available, see page 16.



**24" DEEP X 30" HIGH**

| Item #    | Width   | Est Lbs. | List Price |
|-----------|---------|----------|------------|
| MBC30-30H | 30"     | 115      | 1,471.00   |
| MBC36-30H | 36"     | 120      | 1,720.00   |
| MBC38-30H | 37-3/4" | 120      | 1,739.00   |
| MBC45-30H | 45-1/4" | 135      | 1,749.00   |
| MBC48-30H | 48"     | 150      | 1,754.00   |
| MBC50-30H | 50-1/8" | 155      | 1,805.00   |
| MBC60-30H | 60"     | 210      | 1,846.00   |
| MBC62-30H | 62-3/8" | 215      | 1,860.00   |
| MBC72-30H | 72"     | 235      | 2,075.00   |
| MBC75-30H | 74-3/4" | 240      | 2,134.00   |

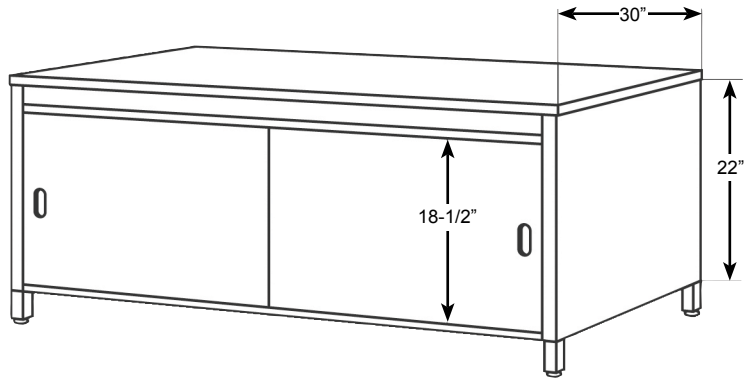


**24" DEEP X 36" HIGH**

| Item #    | Width   | Est Lbs. | List Price |
|-----------|---------|----------|------------|
| MBC30-36H | 30"     | 120      | 1,587.00   |
| MBC36-36H | 36"     | 125      | 1,910.00   |
| MBC38-36H | 37-3/4" | 125      | 1,928.00   |
| MBC45-36H | 45-1/4" | 140      | 1,938.00   |
| MBC48-36H | 48"     | 155      | 1,976.00   |
| MBC50-36H | 50-1/8" | 165      | 2,015.00   |
| MBC60-36H | 60"     | 220      | 2,031.00   |
| MBC62-36H | 62-3/8" | 225      | 2,055.00   |
| MBC72-36H | 72"     | 245      | 2,287.00   |
| MBC75-36H | 74-3/4" | 250      | 2,347.00   |

# Console Tables

CTA Series Console Tables adjust in height from 28" to 36". Select models with bottom shelf and/or doors for use with machines or to provide storage. Intermediate shelf also available, see page 16.



## CTA Series 30" Deep

### 30" DEEP Open Tables

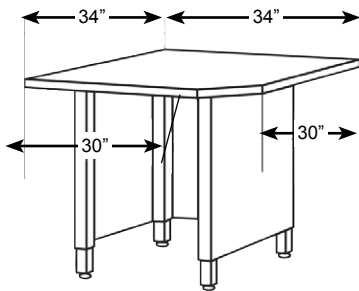
| Item # | Width   | Est Lbs. | List Price |
|--------|---------|----------|------------|
| CTA30  | 30"     | 95       | 1,012.00   |
| CTA36  | 36"     | 106      | 1,065.00   |
| CTA38  | 37-3/4" | 135      | 1,065.00   |
| CTA45  | 45-1/4" | 112      | 1,128.00   |
| CTA48  | 48"     | 117      | 1,128.00   |
| CTA50  | 50-1/8" | 119      | 1,172.00   |
| CTA60  | 60"     | 136      | 1,278.00   |
| CTA62  | 62-3/8" | 152      | 1,350.00   |
| CTA72  | 72"     | 172      | 1,436.00   |
| CTA75  | 74-3/4" | 187      | 1,456.00   |

### 30" DEEP Tables with Shelf

| Item # | Width   | Est Lbs. | List Price |
|--------|---------|----------|------------|
| CTA30S | 30"     | 110      | 1,195.00   |
| CTA36S | 36"     | 127      | 1,281.00   |
| CTA38S | 37-3/4" | 140      | 1,281.00   |
| CTA45S | 45-1/4" | 133      | 1,369.00   |
| CTA48S | 48"     | 138      | 1,369.00   |
| CTA50S | 50-1/8" | 146      | 1,433.00   |
| CTA60S | 60"     | 172      | 1,552.00   |
| CTA62S | 62-3/8" | 188      | 1,624.00   |
| CTA72S | 72"     | 209      | 1,714.00   |
| CTA75S | 74-3/4" | 226      | 1,733.00   |
| CTA84S | 84"     | 261      | 1,908.00   |

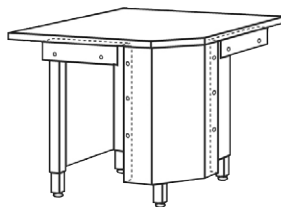
### 30" DEEP Tables with Doors

| Item #   | Width   | Est Lbs. | List Price |
|----------|---------|----------|------------|
| CTA30SSD | 30"     | 120      | 1,506.00   |
| CTA36SSD | 36"     | 135      | 1,610.00   |
| CTA38SSD | 37-3/4" | 147      | 1,610.00   |
| CTA45SSD | 45-1/4" | 143      | 1,718.00   |
| CTA48SSD | 48"     | 146      | 1,718.00   |
| CTA50SSD | 50-1/8" | 155      | 1,769.00   |
| CTA60SSD | 60"     | 199      | 1,898.00   |
| CTA62SSD | 62-3/8" | 215      | 1,975.00   |
| CTA72SSD | 72"     | 236      | 2,033.00   |
| CTA75SSD | 74-3/4" | 253      | 2,091.00   |
| CTA84SSD | 84"     | 288      | 2,361.00   |

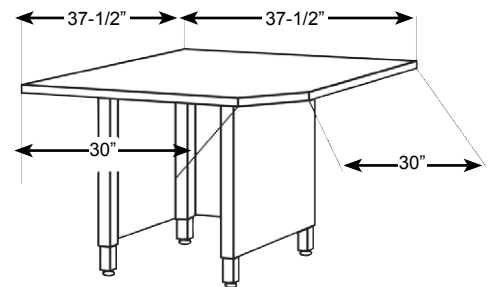


\*Corner table for two section Legal Size Sort Module

| Item # | W   | D   | Est Lbs. | List Price |
|--------|-----|-----|----------|------------|
| CTA34  | 34" | 34" | 130      | 1,044.00   |



Angled corner tables include front filler panel.

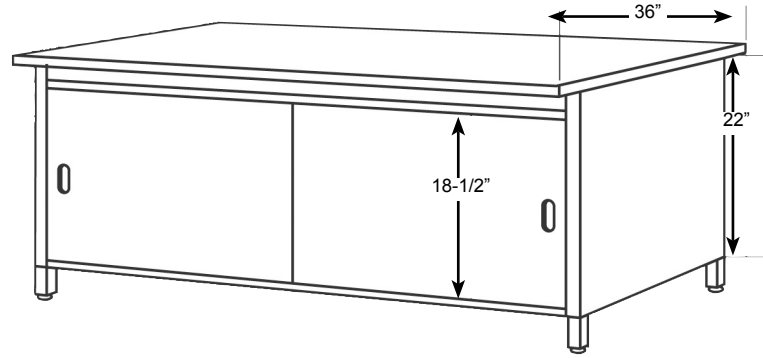


\*Corner table for two section Oversize Sort Module

| Item # | W       | D       | Est Lbs. | List Price |
|--------|---------|---------|----------|------------|
| CTA37  | 37-1/2" | 37-1/2" | 130      | 1,080.00   |

# Console Tables - Continued

CTA Series Console Tables adjust in height from 28" to 36". Select models with bottom shelf and/or doors for use with machines or to provide storage. Intermediate shelf also available, see page 16.



## CTA Series 36" Deep

### 36" DEEP Open Tables

| Item #   | Width   | Est Lbs. | List Price |
|----------|---------|----------|------------|
| CTA30X36 | 30"     | 95       | 1,106.00   |
| CTA36X36 | 36"     | 106      | 1,159.00   |
| CTA38X36 | 37-1/4" | 135      | 1,159.00   |
| CTA45X36 | 45-1/4" | 112      | 1,221.00   |
| CTA48X36 | 48"     | 117      | 1,221.00   |
| CTA50X36 | 50-1/8" | 119      | 1,264.00   |
| CTA60X36 | 60"     | 136      | 1,392.00   |
| CTA62X36 | 62-3/8" | 152      | 1,465.00   |
| CTA72X36 | 72"     | 172      | 1,551.00   |
| CTA75X36 | 74-3/4" | 187      | 1,610.00   |

### 36" DEEP Tables with Shelf

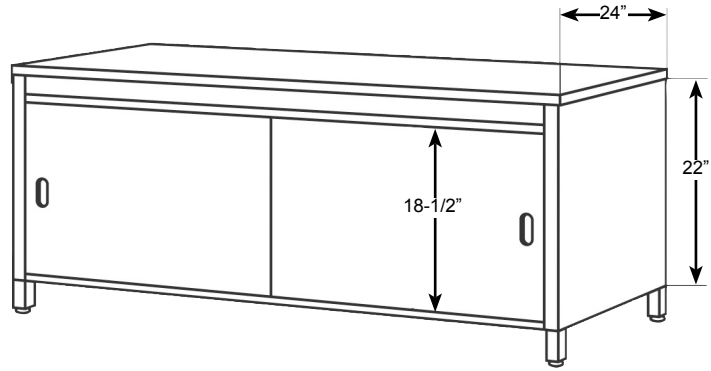
| Item #    | Width   | Est Lbs. | List Price |
|-----------|---------|----------|------------|
| CTA30X36S | 30"     | 110      | 1,285.00   |
| CTA36X36S | 36"     | 127      | 1,374.00   |
| CTA38X36S | 37-3/4" | 140      | 1,374.00   |
| CTA45X36S | 45-1/4" | 133      | 1,462.00   |
| CTA48X36S | 48"     | 138      | 1,462.00   |
| CTA50X36S | 50-1/8" | 146      | 1,523.00   |
| CTA60X36S | 60"     | 172      | 1,667.00   |
| CTA62X36S | 62-3/8" | 188      | 1,742.00   |
| CTA72X36S | 72"     | 209      | 1,853.00   |
| CTA75X36S | 74-3/4" | 226      | 1,887.00   |
| CTA84X36S | 84"     | 261      | 2,060.00   |
| CTA88X36S | 88"     | 270      | 2,315.00   |

### 36" DEEP Tables with Shelf & Doors

| Item #      | Width   | Est Lbs. | List Price |
|-------------|---------|----------|------------|
| CTA30X36SSD | 30"     | 120      | 1,626.00   |
| CTA36X36SSD | 36"     | 135      | 1,733.00   |
| CTA38X36SSD | 37-3/4" | 147      | 1,733.00   |
| CTA45X36SSD | 45-1/4" | 143      | 1,843.00   |
| CTA48X36SSD | 48"     | 146      | 1,843.00   |
| CTA50X36SSD | 50-1/8" | 155      | 1,894.00   |
| CTA60X36SSD | 60"     | 199      | 2,051.00   |
| CTA62X36SSD | 62-3/8" | 215      | 2,128.00   |
| CTA72X36SSD | 72"     | 236      | 2,189.00   |
| CTA75X36SSD | 74-3/4" | 253      | 2,288.00   |
| CTA84X36SSD | 84"     | 288      | 2,559.00   |
| CTA88X36SSD | 88"     | 298      | 2,666.00   |

# Console Tables, Continued

CMA Series Console Tables are 24" deep and adjust in height from 28" to 36". Select models with bottom shelf and/or doors for use with machines or to provide storage. Intermediate shelf also available, see page 16.



## CMA Series 24" Deep

### 24" DEEP Open Tables

| Item # | Width   | Est Lbs. | List Price |
|--------|---------|----------|------------|
| CMA24  | 24"     | 75       | 892.00     |
| CMA30  | 30"     | 85       | 964.00     |
| CMA36  | 36"     | 95       | 1,016.00   |
| CMA38  | 37-3/4" | 98       | 1,016.00   |
| CMA45  | 45-1/4" | 104      | 1,076.00   |
| CMA48  | 48"     | 107      | 1,076.00   |
| CMA50  | 50-1/8" | 109      | 1,117.00   |
| CMA60  | 60"     | 126      | 1,217.00   |
| CMA62  | 62-3/8" | 130      | 1,284.00   |
| CMA72  | 72"     | 162      | 1,369.00   |
| CMA75  | 74-3/4" | 177      | 1,436.00   |

### 24" DEEP Tables with Shelf

| Item # | Width   | Est Lbs. | List Price |
|--------|---------|----------|------------|
| CMA24S | 24"     | 90       | 1,038.00   |
| CMA30S | 30"     | 100      | 1,159.00   |
| CMA36S | 36"     | 115      | 1,223.00   |
| CMA38S | 37-3/4" | 118      | 1,223.00   |
| CMA45S | 45-1/4" | 125      | 1,323.00   |
| CMA48S | 48"     | 128      | 1,323.00   |
| CMA50S | 50-1/8" | 134      | 1,366.00   |
| CMA60S | 60"     | 155      | 1,476.00   |
| CMA62S | 62-3/8" | 160      | 1,547.00   |
| CMA72S | 72"     | 191      | 1,604.00   |
| CMA75S | 74-3/4" | 220      | 1,662.00   |
| CMA84S | 84"     | 230      | 1,811.00   |
| CMA88S | 88"     | 241      | 2,059.00   |

### 24" DEEP Tables with Shelf & Doors

| Item #   | Width   | Est Lbs. | List Price |
|----------|---------|----------|------------|
| CMA24SSD | 24"     | 100      | 1,368.00   |
| CMA30SSD | 30"     | 110      | 1,418.00   |
| CMA36SSD | 36"     | 125      | 1,551.00   |
| CMA38SSD | 37-3/4" | 128      | 1,551.00   |
| CMA45SSD | 45-1/4" | 135      | 1,650.00   |
| CMA48SSD | 48"     | 138      | 1,650.00   |
| CMA50SSD | 50-1/8" | 145      | 1,693.00   |
| CMA60SSD | 60"     | 183      | 1,825.00   |
| CMA62SSD | 62-3/8" | 187      | 1,895.00   |
| CMA72SSD | 72"     | 215      | 1,953.00   |
| CMA75SSD | 74-3/4" | 239      | 2,011.00   |
| CMA84SSD | 84"     | 258      | 2,174.00   |
| CMA88SSD | 88"     | 270      | 2,410.00   |

# Intermediate Table Shelves

CTA Table with intermediate shelf.

All BC and MBC tables are equipped with centered shelf support for optional intermediate shelf. Shelf may be added at the factory or in the field.

CMA and CTA tables will include the shelf support only when intermediate shelf is ordered with this table, or when ISSO option is requested when ordering the table.

## Intermediate Table Shelf Details

### Order IS style with 30" or 36" deep CTA or BC Tables

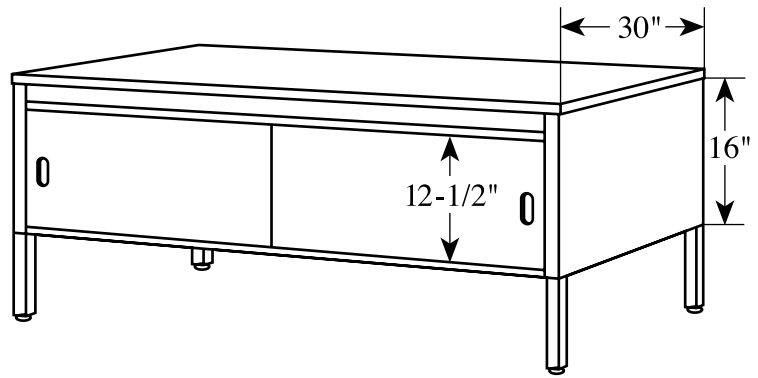
| Item # | Width     | Depth   | List Price |
|--------|-----------|---------|------------|
| IS30   | 29-1/8"   | 27-3/4" | 202.00     |
| IS36   | 35-1/8"   | 27-3/4" | 217.00     |
| IS38   | 36-7/8"   | 27-3/4" | 217.00     |
| IS45   | 44-3/4"   | 27-3/4" | 232.00     |
| IS48   | 47-1/8"   | 27-3/4" | 260.00     |
| IS50   | 49-11/16" | 27-3/4" | 260.00     |
| IS60   | 59-1/8"   | 27-3/4" | 275.00     |
| IS62   | 61-1/2"   | 27-3/4" | 275.00     |
| IS72   | 71-1/8"   | 27-3/4" | 275.00     |
| IS75   | 74-3/8"   | 27-3/4" | 275.00     |
| IS84   | 83-1/8"   | 27-3/4" | 323.00     |
| IS88   | 87-1/8"   | 27-3/4" | 323.00     |

### Order ISM style with 24" deep CMA or MBC Tables

| Item # | Width     | Depth   | List Price |
|--------|-----------|---------|------------|
| ISM24  | 23-1/8"   | 21-1/4" | 137.00     |
| ISM30  | 29-1/8"   | 21-1/4" | 194.00     |
| ISM36  | 35-1/8"   | 21-1/4" | 204.00     |
| ISM38  | 36-7/8"   | 21-1/4" | 204.00     |
| ISM45  | 44-3/4"   | 21-1/4" | 242.00     |
| ISM48  | 47-1/8"   | 21-1/4" | 242.00     |
| ISM50  | 49-11/16" | 21-1/4" | 245.00     |
| ISM60  | 59-1/8"   | 21-1/4" | 245.00     |
| ISM62  | 61-1/2"   | 21-1/4" | 266.00     |
| ISM72  | 71-1/8"   | 21-1/4" | 275.00     |
| ISM75  | 74-3/8"   | 21-1/4" | 275.00     |
| ISM84  | 83-1/8"   | 21-1/4" | 323.00     |
| ISM88  | 87-1/8"   | 21-1/4" | 323.00     |

# Sorting Tables

STA Series Sorting Tables adjust in height from 28" to 36". Select models with bottom shelf and/or doors for use with machines or to provide storage.



## STA Series 30" Deep

### 30" DEEP Open Tables

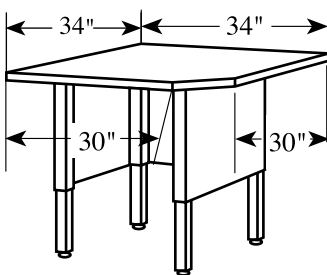
| Item # | Width   | Est Lbs. | List Price |
|--------|---------|----------|------------|
| STA30  | 30"     | 82       | 925.00     |
| STA36  | 36"     | 92       | 970.00     |
| STA38  | 37-3/4" | 92       | 970.00     |
| STA45  | 45-1/4" | 102      | 1,023.00   |
| STA48  | 48"     | 102      | 1,023.00   |
| STA50  | 50-1/8" | 104      | 1,074.00   |
| STA60  | 60"     | 118      | 1,159.00   |
| STA62  | 62-3/8" | 132      | 1,229.00   |
| STA72  | 72"     | 150      | 1,304.00   |
| STA75  | 74-3/4" | 160      | 1,370.00   |

### 30" DEEP Tables with Shelf

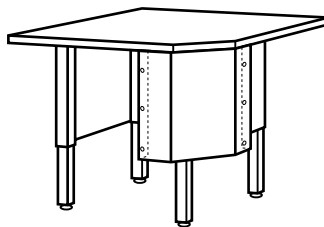
| Item # | Width   | Est Lbs. | List Price |
|--------|---------|----------|------------|
| STA30S | 30"     | 96       | 1,105.00   |
| STA36S | 36"     | 110      | 1,164.00   |
| STA38S | 37-3/4" | 110      | 1,164.00   |
| STA45S | 45-1/4" | 120      | 1,261.00   |
| STA48S | 48"     | 120      | 1,261.00   |
| STA50S | 50-1/8" | 126      | 1,313.00   |
| STA60S | 60"     | 150      | 1,412.00   |
| STA62S | 62-3/8" | 164      | 1,485.00   |
| STA72S | 72"     | 182      | 1,531.00   |
| STA75S | 74-3/4" | 192      | 1,595.00   |

### 30" DEEP Tables with Doors

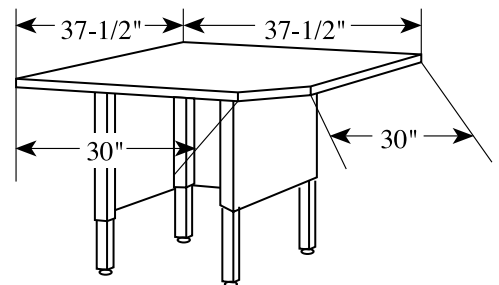
| Item #   | Width   | Est Lbs. | List Price |
|----------|---------|----------|------------|
| STA30SSD | 30"     | 106      | 1,372.00   |
| STA36SSD | 36"     | 117      | 1,464.00   |
| STA38SSD | 37-3/4" | 117      | 1,464.00   |
| STA45SSD | 45-1/4" | 127      | 1,563.00   |
| STA48SSD | 48"     | 130      | 1,563.00   |
| STA50SSD | 50-1/8" | 149      | 1,607.00   |
| STA60SSD | 60"     | 180      | 1,733.00   |
| STA62SSD | 62-3/8" | 187      | 1,781.00   |
| STA72SSD | 72"     | 205      | 1,833.00   |
| STA75SSD | 74-3/4" | 215      | 1,902.00   |



\*Corner table for two section Legal Size Sort Module



Angled corner tables include front filler panel.



\*\*Corner table for two section Oversize Sort Module

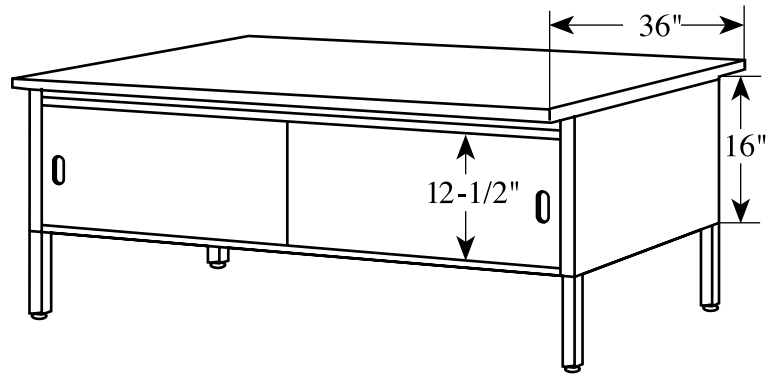
| Item # | W   | D   | Est Lbs. | List Price |
|--------|-----|-----|----------|------------|
| STA34  | 34" | 34" | 89       | 1,044.00   |

| Item # | W       | D       | Est Lbs. | List Price |
|--------|---------|---------|----------|------------|
| STA37  | 37-1/2" | 37-1/2" | 82       | 1,080.00   |



# Sorting Tables, Continued

STA Series Sorting Tables adjust in height from 28" to 36". Select models with bottom shelf and/or doors for use with machines or to provide storage.



## STA Series 36" Deep

### 36" DEEP Open Tables

| Item #   | Width   | Est Lbs. | List Price |
|----------|---------|----------|------------|
| STA30X36 | 30"     | 82       | 1,017.00   |
| STA36X36 | 36"     | 92       | 1,061.00   |
| STA38X36 | 37-3/4" | 92       | 1,061.00   |
| STA45X36 | 45-1/4" | 102      | 1,112.00   |
| STA48X36 | 48"     | 102      | 1,112.00   |
| STA50X36 | 50-1/8" | 104      | 1,164.00   |
| STA60X36 | 60"     | 118      | 1,204.00   |
| STA62X36 | 62-3/8" | 132      | 1,344.00   |
| STA72X36 | 72"     | 150      | 1,419.00   |
| STA75X36 | 74-3/4" | 160      | 1,522.00   |

### 36" DEEP Tables with Shelf

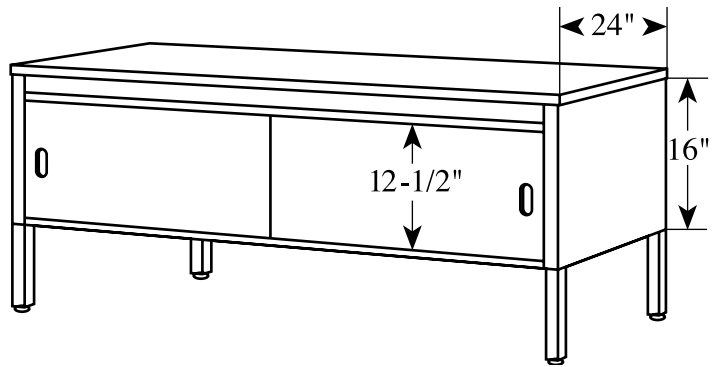
| Item #    | Width   | Est Lbs. | List Price |
|-----------|---------|----------|------------|
| STA30X36S | 30"     | 96       | 1,196.00   |
| STA36X36S | 36"     | 110      | 1,256.00   |
| STA38X36S | 37-3/4" | 110      | 1,256.00   |
| STA45X36S | 45-1/4" | 120      | 1,355.00   |
| STA48X36S | 48"     | 120      | 1,355.00   |
| STA50X36S | 50-1/8" | 126      | 1,405.00   |
| STA60X36S | 60"     | 150      | 1,527.00   |
| STA62X36S | 62-3/8" | 164      | 1,601.00   |
| STA72X36S | 72"     | 182      | 1,646.00   |
| STA75X36S | 74-3/4" | 192      | 1,750.00   |

### 36" DEEP Tables with Shelf & Doors

| Item #      | Width   | Est Lbs. | List Price |
|-------------|---------|----------|------------|
| STA30X36SSD | 30"     | 106      | 1,465.00   |
| STA36X36SSD | 36"     | 117      | 1,554.00   |
| STA38X36SSD | 37-3/4" | 117      | 1,554.00   |
| STA45X36SSD | 45-1/4" | 127      | 1,656.00   |
| STA48X36SSD | 48"     | 130      | 1,656.00   |
| STA50X36SSD | 50-1/8" | 149      | 1,698.00   |
| STA60X36SSD | 60"     | 180      | 1,846.00   |
| STA62X36SSD | 62-3/8" | 187      | 1,895.00   |
| STA72X36SSD | 72"     | 205      | 1,946.00   |
| STA75X36SSD | 74-3/4" | 215      | 2,056.00   |

# Machine Tables

MTA Series Machine Tables are 24" deep and adjust in height from 28" to 36". Select models with bottom shelf and/or doors for use with machines or to provide storage. MTA series tables are also used for sort stations where space is limited.



## MTA Series 24" Deep

### 24" DEEP Open Tables

| Item # | Width   | Est Lbs. | List Price |
|--------|---------|----------|------------|
| MTA24  | 24"     | 65       | 801.00     |
| MTA30  | 30"     | 74       | 838.00     |
| MTA36  | 36"     | 83       | 883.00     |
| MTA38  | 37-3/4" | 83       | 883.00     |
| MTA45  | 45-1/4" | 90       | 930.00     |
| MTA48  | 48"     | 95       | 930.00     |
| MTA50  | 50-1/8" | 100      | 975.00     |
| MTA60  | 60"     | 106      | 1,053.00   |
| MTA62  | 62-3/8" | 119      | 1,114.00   |
| MTA72  | 72"     | 135      | 1,188.00   |
| MTA75  | 74-3/4" | 140      | 1,246.00   |

### 24" DEEP Tables with Shelf

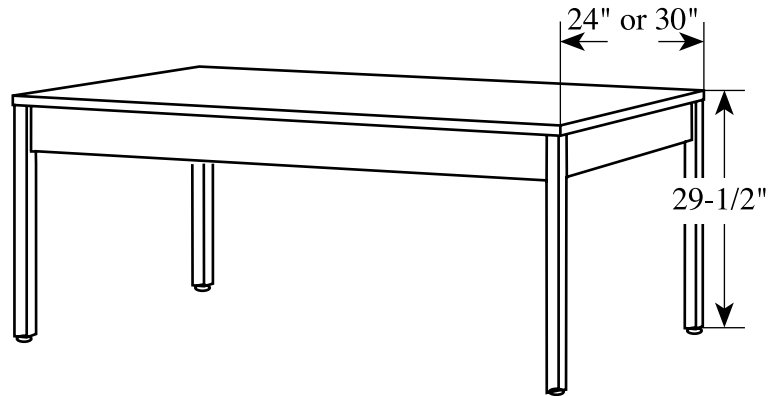
| Item # | Width   | Est Lbs. | List Price |
|--------|---------|----------|------------|
| MTA24S | 24"     | 82       | 974.00     |
| MTA30S | 30"     | 96       | 1,003.00   |
| MTA36S | 36"     | 105      | 1,060.00   |
| MTA38S | 37-3/4" | 105      | 1,060.00   |
| MTA45S | 45-1/4" | 120      | 1,083.00   |
| MTA48S | 48"     | 134      | 1,149.00   |
| MTA50S | 50-1/8" | 140      | 1,194.00   |
| MTA60S | 60"     | 156      | 1,281.00   |
| MTA62S | 62-3/8" | 168      | 1,345.00   |
| MTA72S | 72"     | 185      | 1,393.00   |
| MTA75S | 74-3/4" | 197      | 1,454.00   |

### 24" DEEP Tables with Shelf & Doors

| Item #   | Width   | Est Lbs. | List Price |
|----------|---------|----------|------------|
| MTA24SSD | 24"     | 73       | 1,296.00   |
| MTA30SSD | 30"     | 86       | 1,310.00   |
| MTA36SSD | 36"     | 99       | 1,329.00   |
| MTA38SSD | 37-3/4" | 99       | 1,329.00   |
| MTA45SSD | 45-1/4" | 108      | 1,413.00   |
| MTA48SSD | 48"     | 114      | 1,420.00   |
| MTA50SSD | 50-1/8" | 118      | 1,420.00   |
| MTA60SSD | 60"     | 135      | 1,576.00   |
| MTA62SSD | 62-3/8" | 148      | 1,617.00   |
| MTA72SSD | 72"     | 164      | 1,667.00   |
| MTA75SSD | 74-3/4" | 176      | 1,757.00   |

# Work Tables

Work tables provide surface space for a variety of tasks. Welded steel support frame with painted steel legs at 29-1/2" fixed height. Leveling glides provide up to 1" additional height.



## 30" DEEP Work Tables

| Item # | Width | Est Lbs. | List Price |
|--------|-------|----------|------------|
| WT30   | 30"   | 50       | 595.00     |
| WT36   | 36"   | 58       | 607.00     |
| WT48   | 48"   | 70       | 630.00     |
| WT50   | 50"   | 74       | 636.00     |
| WT60   | 60"   | 90       | 717.00     |
| WT62   | 62"   | 93       | 730.00     |
| WT72   | 72"   | 110      | 785.00     |

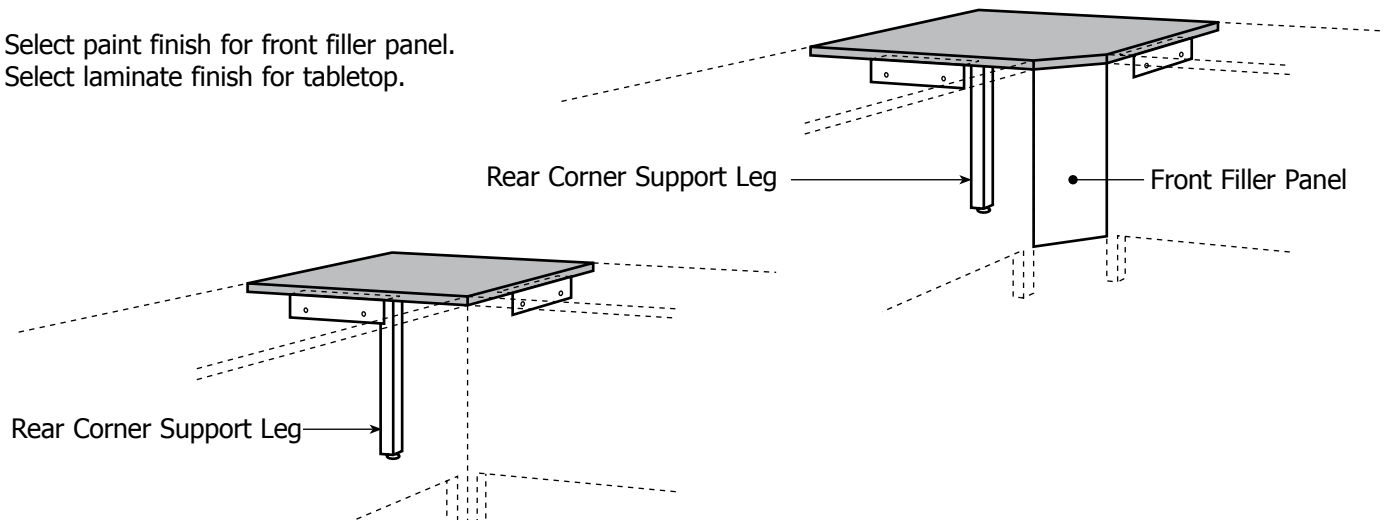
## 24" DEEP Work Tables

| Item # | Width   | Est Lbs. | List Price |
|--------|---------|----------|------------|
| WTM30  | 30"     | 45       | 570.00     |
| WTM36  | 36"     | 53       | 579.00     |
| WTM48  | 48"     | 65       | 595.00     |
| WTM50  | 50-1/8" | 69       | 595.00     |
| WTM60  | 60"     | 85       | 645.00     |
| WTM62  | 62-3/8" | 88       | 656.00     |
| WTM72  | 72"     | 105      | 707.00     |

# Tabletop Corner Filler

In L or U-shaped configurations, Tabletop Corner Fillers are an economical alternative to full corner tables. Before choosing this option, take into consideration that layout may not be re-configured at a later date, because the corner filler must be attached to adjacent tables for support.

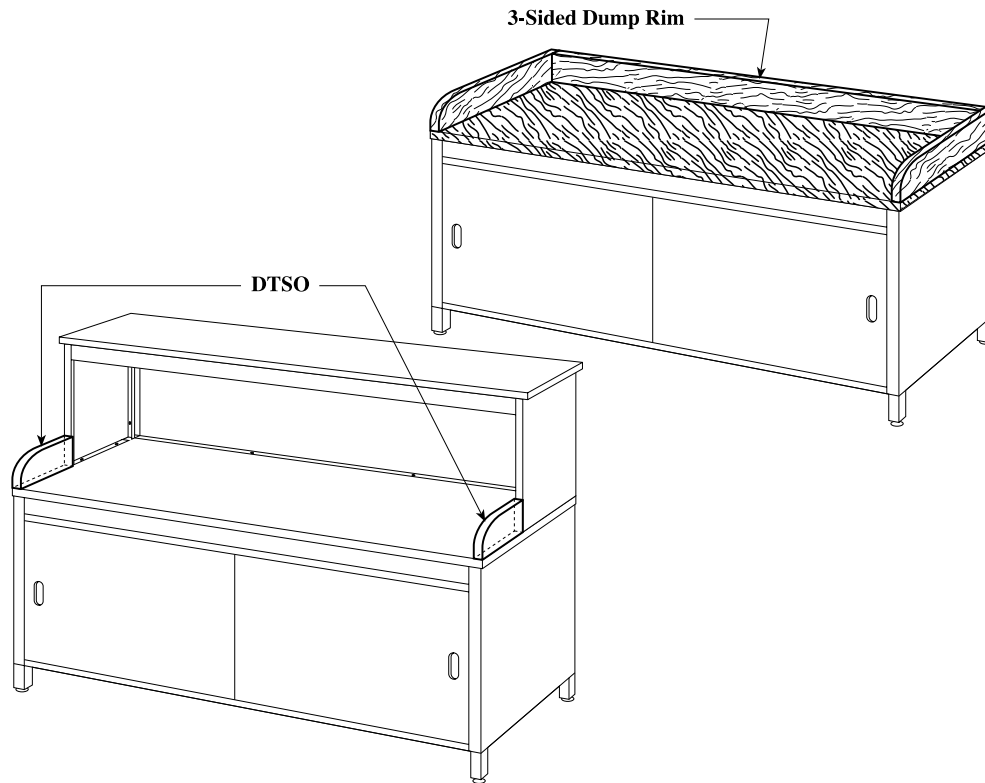
Select paint finish for front filler panel.  
Select laminate finish for tabletop.



| Item #    | Width   | Depth   | Height     | Angled Front Corner | Front Fillet Panel | Compatible Sort Module and/or Table              | Est Lbs. | List Price |
|-----------|---------|---------|------------|---------------------|--------------------|--|----------|------------|
| BCF24-30H | 24"     | 24"     | 30"        |                     |                    | MBC Table 30" High                               | 48       | 520.00     |
| BCF24-30H | 24"     | 24"     | 36"        |                     |                    | MBC Table 36" High                               | 48       | 520.00     |
| BCF30-30H | 30"     | 30"     | 30"        |                     |                    | BC Tables 30" High 2 Section Letter Size Sorters | 50       | 545.00     |
| BCF30-30H | 30"     | 30"     | 36"        |                     |                    | BC Tables 36" High 2 Section Letter Size Sorters | 50       | 545.00     |
| BCF34-30H | 34"     | 34"     | 30"        | X                   | X                  | BC Tables 30" High 2 Section Legal Size Sorters  | 52       | 585.00     |
| BCF34-30H | 34"     | 34"     | 36"        | X                   | X                  | BC Tables 36" High 2 Section Legal Size Sorters  | 52       | 585.00     |
| BCF36-30H | 36"     | 36"     | 30"        |                     |                    | BC Tables 30" H with 36" D Tops                  | 58       | 617.00     |
| BCF36-30H | 36"     | 36"     | 36"        |                     |                    | BC Tables 36" H with 36" D Tops                  | 58       | 617.00     |
| BCF38-30H | 37-1/2" | 37-1/2" | 30"        | X                   | X                  | BC Tables 30" High 2 Section Oversize Sorters    | 60       | 640.00     |
| BCF38-30H | 37-1/2" | 37-1/2" | 36"        | X                   | X                  | BC Tables 36" High 2 Section Oversize Sorters    | 60       | 640.00     |
| CCF24     | 24"     | 24"     | 28" to 36" |                     |                    | CMA Tables                                       | 48       | 520.00     |
| CCF30     | 30"     | 30"     | 28" to 36" |                     |                    | CTA Tables<br>2 Section Letter Size Sorters      | 50       | 545.00     |
| CCF34     | 34"     | 34"     | 28" to 36" | X                   | X                  | CTA Tables<br>2 Section Legal Size Sorters       | 52       | 585.00     |
| CCF36     | 36"     | 36"     | 28" to 36" |                     |                    | CTA Tables with 36" D Tops                       | 58       | 590.00     |
| CCF38     | 37-1/2" | 37-1/2" | 28" to 36" | X                   | X                  | CTA Tables<br>2 Section Oversize Sorters         | 60       | 611.00     |
| SCF24     | 24"     | 24"     | 28" to 36" |                     |                    | MTA Tables                                       | 48       | 520.00     |
| SCF30     | 30"     | 30"     | 28" to 36" |                     |                    | STA Tables<br>2 Section Letter Size Sorters      | 50       | 545.00     |
| SCF34     | 34"     | 34"     | 28" to 36" | X                   | X                  | STA Tables<br>2 Section Legal Size Sorters       | 52       | 585.00     |
| SCF36     | 36"     | 36"     | 28" to 36" |                     |                    | STA Tables with 36" Tops                         | 58       | 590.00     |

# Dump Rims

Dump Rims are constructed of 3/4" x 6" laminated wood. Standard Dump Rims form a barrier on three sides of a table.



## 3 Sided Rims for 24"D Tables

| Item # | Width   | Est Lbs. | List Price |
|--------|---------|----------|------------|
| DT2424 | 23-1/2" | 13       | 146.00     |
| DT3024 | 29-1/2" | 15       | 171.00     |
| DT3624 | 35-1-2" | 17       | 181.00     |
| DT3824 | 37-3-4" | 17       | 181.00     |
| DT4524 | 45-1-4" | 18       | 198.00     |
| DT4824 | 47-1/2" | 19       | 210.00     |
| DT5024 | 49-5/8" | 19       | 214.00     |
| DT6024 | 59-1/2" | 22       | 229.00     |
| DT6224 | 61-7/8" | 23       | 239.00     |
| DT7224 | 71-1/2" | 27       | 254.00     |
| DT7524 | 74-1/4" | 28       | 266.00     |
| DT8424 | 83-1/2" | 32       | 279.00     |

| Item # | Description   | Est Lbs. | List Price |
|--------|---|----------|------------|
| DTS024 | Dump rim sides only, mounted in front of riser or sort module | 10       | 143.00     |

## 3 Sided Rims for 30"D Tables

| Item # | Width   | Est Lbs. | List Price |
|--------|---------|----------|------------|
| DT2430 | 23-1/2" | 13       | 146.00     |
| DT3030 | 29-1/2" | 15       | 171.00     |
| DT3630 | 35-1-2" | 17       | 181.00     |
| DT3830 | 37-3-4" | 17       | 181.00     |
| DT4530 | 45-1-4" | 18       | 198.00     |
| DT4830 | 47-1/2" | 19       | 210.00     |
| DT5030 | 49-5/8" | 19       | 214.00     |
| DT6030 | 59-1/2" | 22       | 229.00     |
| DT6230 | 61-7/8" | 23       | 239.00     |
| DT7230 | 71-1/2" | 27       | 254.00     |
| DT7530 | 74-1/4" | 28       | 266.00     |
| DT8430 | 83-1/2" | 32       | 279.00     |

| Item # | Description   | Est Lbs. | List Price |
|--------|---|----------|------------|
| DTS030 | Dump rim sides only, mounted in front of riser or sort module | 10       | 143.00     |

## Back Rim Only

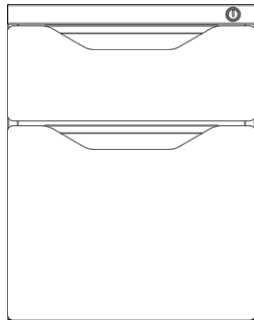
| Item # | Width | Est Lbs. | List Price |
|--------|-------|----------|------------|
| DT24B  | 24"   | 4        | 46.00      |
| DT30B  | 30"   | 5        | 55.00      |
| DT34B  | 34"   | 6        | 65.00      |
| DT36B  | 36"   | 6        | 65.00      |
| DT38B  | 38"   | 6        | 65.00      |
| DT43B  | 43"   | 7        | 73.00      |
| DT45B  | 45"   | 7        | 77.00      |
| DT50B  | 50"   | 8        | 92.00      |
| DT54B  | 54"   | 9        | 101.00     |
| DT62b  | 62"   | 10       | 119.00     |
| DT64B  | 64"   | 12       | 127.00     |
| DT72B  | 72"   | 12       | 132.00     |
| DT75B  | 75"   | 13       | 143.00     |
| DT84B  | 84"   | 16       | 155.00     |
| DT88B  | 88"   | 17       | 169.00     |
| DT96B  | 96"   | 20       | 178.00     |

Note: Add "X4" to model # for 4-sided dump rim.  
Add 25% to the list price.

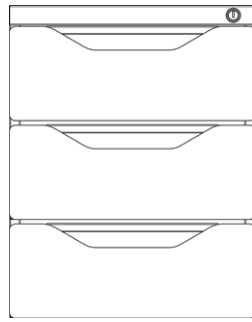
## Side Only

| Item # | Length | Est Lbs. | List Price |
|--------|--------|----------|------------|
| DT24S  | 24"    | 4        | 46.00      |
| DT30S  | 30"    | 5        | 55.00      |
| DT36S  | 36"    | 6        | 65.00      |

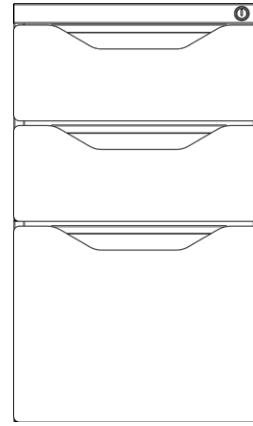
# Drawer Units



46106H



46108H



46109H

| Item #  | Description                             | Outside Width | Outside Depth | Outside Height | Compatible Tables          | Est Lbs. | List Price |
|---------|---|---------------|---------------|----------------|----------------------------|----------|------------|
| 46106H  | Two Drawer Unit, 1 Box, 1 File Drawer   | 15"           | 18-1/2"       | 19"            | CTA, CMA                   | 45       | 742.00     |
| 46108H  | Three Drawer Unit, 3 Box Drawers        | 15"           | 18-1/2"       | 19"            | CTA, CMA                   | 52       | 742.00     |
| 46109H  | Three Drawer Unit, 2 Box, 1 File Drawer | 15"           | 18-1/2"       | 24-7/8"        | 30" HBC or MBC w/o cabinet | 64       | 842.00     |
| PTS-2*  | 2" Spacer for mounting drawer units     | 15"           | 12"           | 2"             | All except WT              | 5        | 45.00      |
| PTS-6** | 6" Spacer for mounting drawer units     | 15"           | 12"           | 2"             | Only WT                    | 12       | 58.00      |

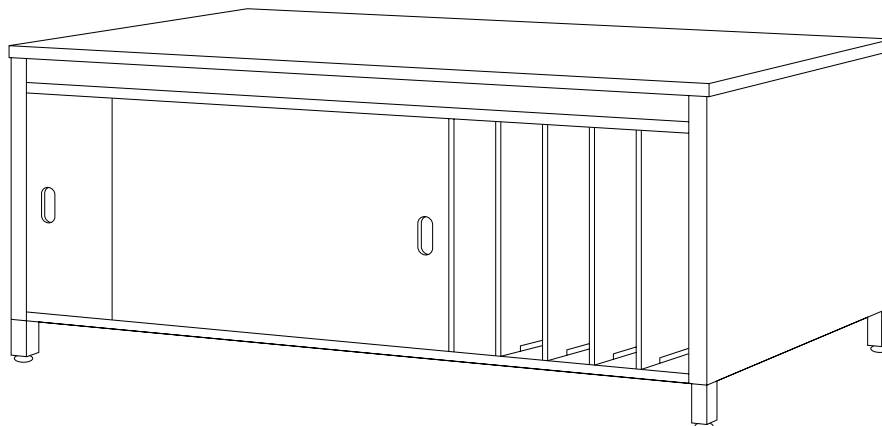
\*Must order PTS-2 for use of drawer units with all tables EXCEPT Work Tables (Work Tables part number begins with "WT")

\*\*Must order PTS-6 for use of drawer units with all Work Tables (Work Tables part number begins with "WT")

## Table Shelf Storage Dividers

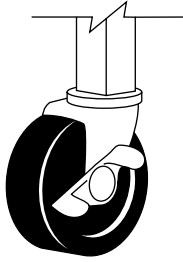
Vertical dividers for bottom shelf of any Mail Master table may be ordered in any quantity. The factory will install the dividers equally spaced across the width of the shelf, or you may specify spacing and placement of dividers to fit your requirements. Ideal for storage of courier packs, large envelopes or flat boxes.

| Item #   | Description                                     | Est Lbs. | List Price |
|----------|---|----------|------------|
| SD-STA24 | Fits 24" deep STA tables                        | 10       | 56.00      |
| SD-STA30 | Fits 30" and 36" deep STA tables                | 15       | 69.00      |
| SD-CTA24 | Fits 24" deep console tables                    | 20       | 72.00      |
| SD-CTA30 | Fits 30" and 36" deep console tables            | 25       | 91.00      |
| SD-BC300 | Fits 30" and 36" deep by 30" high base cabinets | 20       | 113.00     |
| SD-BC306 | Fits 30" and 36" deep by 36" high base cabinets | 25       | 129.00     |
| SD-BC240 | Fits 24" deep by 30" high base cabinets         | 15       | 91.00      |
| SD-BC246 | Fits 24" deep by 36" high base cabinets         | 20       | 113.00     |



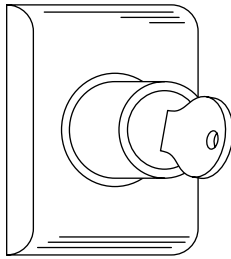
# Table Accessories / Modification Options

PLEASE NOTE: All options must be ordered with tables and installed at the factory.



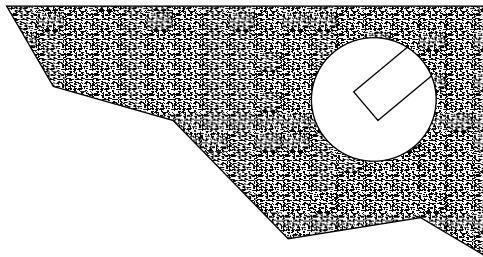
Model C440 castor set includes two locking and two standard 4" casters. For use on tables with shelf or cabinet.

| Item # | Est Lbs. | List Price |
|--------|----------|------------|
| C440   | 3        | 167.00     |



Model LS2 lock set for table doors serves as a deterrent to theft.

| Item # | List Price |
|--------|------------|
| LS2    | 92.00      |



Cable access with cover is available in 3" diameter. Cover color is putty or light gray.

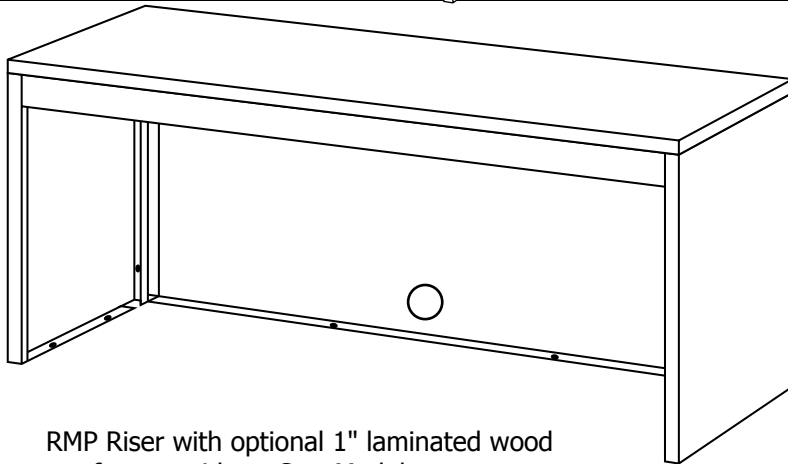
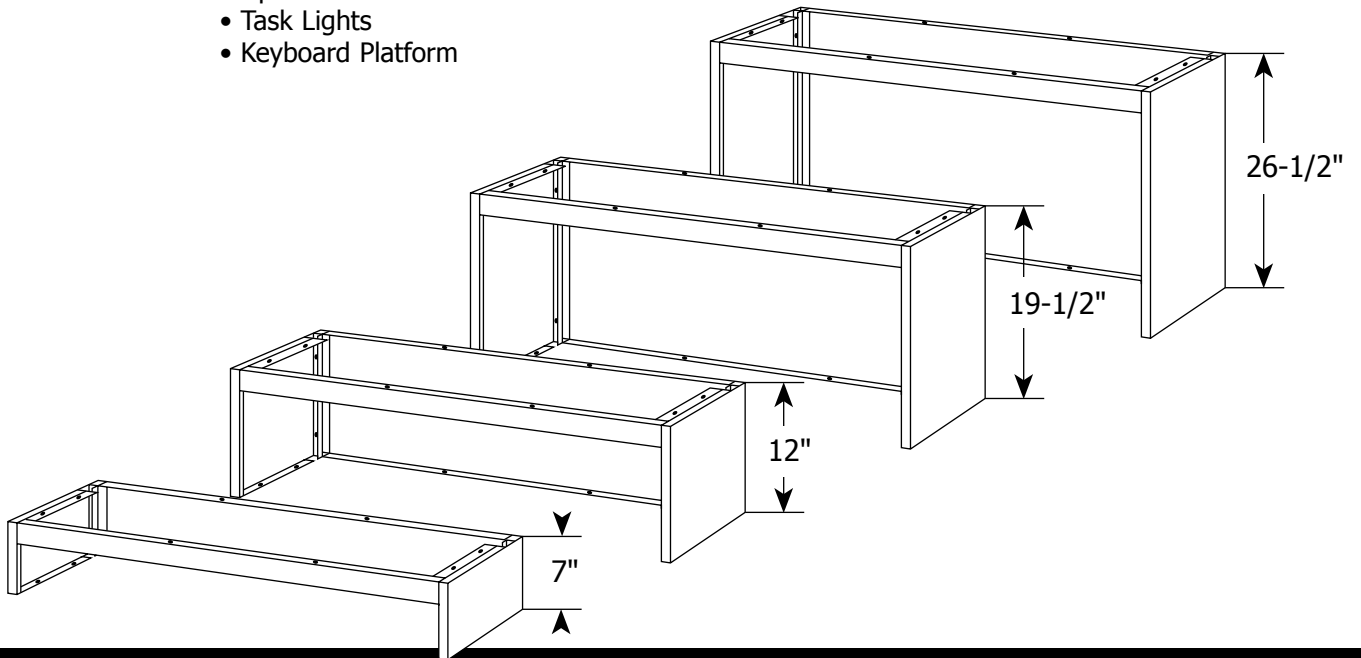
| Item # | Dia. | Location on Table | List Price |
|--------|------|-------------------|------------|
| CAR3   | 3"   | Right Rear Corner | 21.00      |
| CAL3   | 3"   | Left Rear Corner  | 21.00      |
| CAC3   | 3"   | Center Rear       | 21.00      |

| Item #   | Description                | List Price |
|----------|----------------------------|------------|
| OT60X12D | Laminate top for RMP60-012 | 198.00     |

# RMP Risers

RMP Risers are constructed of formed steel with 2 side panels, a back panel and a 2" front channel, all finished in baked enamel. These Risers attach to table with screws provided. Risers are available in any of four heights. Clearance is 2-1/4" less than overall height. Interior clearance is 1-1/2" less than overall width. Standard cable access cut outs.

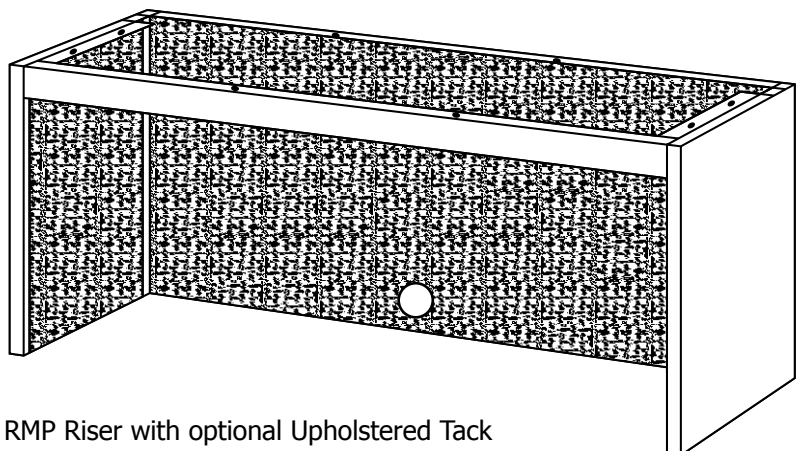
- Options:
- 1" Laminated wood top for use with without Sort Module
  - Upholstered Tack Board Panels
  - Task Lights
  - Keyboard Platform



RMP Riser with optional 1" laminated wood top for use without Sort Module

NOTE: All RMP Risers require Sort Module or 1" laminated top surface

All RMP Risers include 1-1/4" cable hole with grommet.



RMP Riser with optional Upholstered Tack Board Panels



# RMP Risers

| Item #    | Width   | Depth   | Height  | Matching Sort Module | Est Lbs. | List Price | Add for 1" Laminated Top Surface | Add for UPH Tackboard Panels |
|-----------|---------|---------|---------|----------------------|----------|------------|----------------------------------|------------------------------|
|           |         |         |         |                      |          |            | List Price                       | List Price                   |
| RMP25-007 | 25-3/8" | 11-1/4" | 7"      | 2 Section Letter     | 4        | 363.00     | 146.00                           | -                            |
| RMP25-012 | 25-3/8" | 11-1/4" | 12"     | 2 Section Letter     | 6        | 386.00     | 146.00                           | 146.00                       |
| RMP25-019 | 25-3/8" | 11-1/4" | 19-1/2" | 2 Section Letter     | 8        | 436.00     | 146.00                           | 231.00                       |
| RMP25-026 | 25-3/8" | 11-1/4" | 26-1/2" | 2 Section Letter     | 10       | 490.00     | 146.00                           | 304.00                       |
| RMP38-007 | 37-3/4" | 11-1/4" | 7"      | 3 Section Letter     | 6        | 392.00     | 159.00                           | -                            |
| RMP38-012 | 37-3/4" | 11-1/4" | 12"     | 3 Section Letter     | 8        | 426.00     | 159.00                           | 172.00                       |
| RMP38-019 | 37-3/4" | 11-1/4" | 19-1/2" | 3 Section Letter     | 11       | 473.00     | 159.00                           | 327.00                       |
| RMP38-026 | 37-3/4" | 11-1/4" | 26-1/2" | 3 Section Letter     | 14       | 527.00     | 159.00                           | 437.00                       |
| RMP50-007 | 50-1/8" | 11-1/4" | 7"      | 4 Section Letter     | 9        | 412.00     | 172.00                           | -                            |
| RMP50-012 | 50-1/8" | 11-1/4" | 12"     | 4 Section Letter     | 10       | 437.00     | 172.00                           | 211.00                       |
| RMP50-019 | 50-1/8" | 11-1/4" | 19-1/2" | 4 Section Letter     | 13       | 491.00     | 172.00                           | 344.00                       |
| RMP50-026 | 50-1/8" | 11-1/4" | 26-1/2" | 4 Section Letter     | 18       | 543.00     | 172.00                           | 484.00                       |
| RMP62-007 | 62-3/8" | 11-1/4" | 7"      | 5 Section Letter     | 10       | 434.00     | 178.00                           | -                            |
| RMP62-012 | 62-3/8" | 11-1/4" | 12"     | 5 Section Letter     | 13       | 462.00     | 178.00                           | 242.00                       |
| RMP62-019 | 62-3/8" | 11-1/4" | 19-1/2" | 5 Section Letter     | 19       | 516.00     | 178.00                           | 391.00                       |
| RMP62-026 | 62-3/8" | 11-1/4" | 26-1/2" | 5 Section Letter     | 26       | 563.00     | 178.00                           | 525.00                       |
| RMP74-007 | 74-3/4" | 11-1/4" | 7"      | 6 Section Letter     | 16       | 466.00     | 198.00                           | -                            |
| RMP74-012 | 74-3/4" | 11-1/4" | 12"     | 6 Section Letter     | 20       | 490.00     | 198.00                           | 254.00                       |
| RMP72-019 | 74-3/4" | 11-1/4" | 19-1/2" | 6 Section Letter     | 24       | 537.00     | 198.00                           | 404.00                       |
| RMP72-026 | 74-3/4" | 11-1/4" | 26-1/2" | 6 Section Letter     | 31       | 586.00     | 198.00                           | 533.00                       |
| RMP30-007 | 30"     | 11-1/4" | 7"      | Requires Top         | 5        | 392.00     | 146.00                           | -                            |
| RMP30-012 | 30"     | 11-1/4" | 12"     | Requires Top         | 7        | 426.00     | 146.00                           | 166.00                       |
| RMP30-019 | 30"     | 11-1/4" | 19-1/2" | Requires Top         | 10       | 466.00     | 146.00                           | 323.00                       |
| RMP30-026 | 30"     | 11-1/4" | 26-1/2" | Requires Top         | 14       | 525.00     | 146.00                           | 436.00                       |
| RMP36-007 | 36"     | 11-1/4" | 7"      | Requires Top         | 7        | 406.00     | 159.00                           | -                            |
| RMP36-012 | 36"     | 11-1/4" | 12"     | Requires Top         | 11       | 430.00     | 159.00                           | 194.00                       |
| RMP36-019 | 36"     | 11-1/4" | 19-1/2" | Requires Top         | 17       | 482.00     | 159.00                           | 359.00                       |
| RMP36-026 | 36"     | 11-1/4" | 26-1/2" | Requires Top         | 20       | 531.00     | 159.00                           | 460.00                       |
| RMP48-007 | 48"     | 11-1/4" | 7"      | Requires Top         | 6        | 425.00     | 172.00                           | -                            |
| RMP48-012 | 48"     | 11-1/4" | 12"     | Requires Top         | 8        | 454.00     | 172.00                           | 202.00                       |
| RMP45-019 | 48"     | 11-1/4" | 19-1/2" | Requires Top         | 12       | 516.00     | 172.00                           | 404.00                       |
| RMP48-026 | 48"     | 11-1/4" | 26-1/2" | Requires Top         | 16       | 550.00     | 172.00                           | 494.00                       |
| RMP60-007 | 60"     | 11-1/4" | 7"      | Requires Top         | 15       | 454.00     | 178.00                           | -                            |
| RMP60-012 | 60"     | 11-1/4" | 12"     | Requires Top         | 19       | 477.00     | 178.00                           | 254.00                       |
| RMP60-019 | 60"     | 11-1/4" | 19-1/2" | Requires Top         | 23       | 527.00     | 178.00                           | 404.00                       |
| RMP60-026 | 60"     | 11-1/4" | 26-1/2" | Requires Top         | 30       | 579.00     | 178.00                           | 533.00                       |

Continued on Next Page



# RMP Risers, Continued

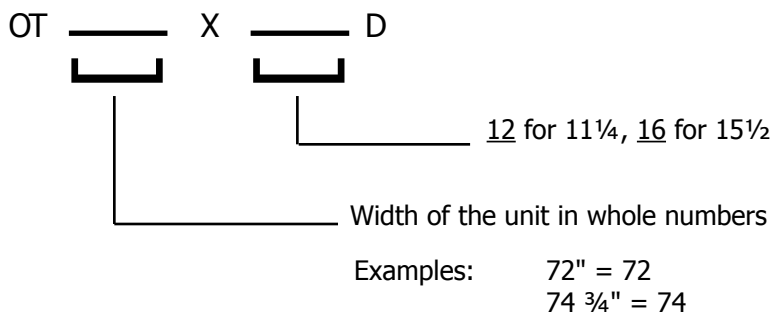
| Item #    | Width   | Depth   | Height  | Matching Sort Module | Est Lbs. | List Price | Add for 1" Laminated Top Surface | Add for UPH Tackboard Panels |
|-----------|---------|---------|---------|----------------------|----------|------------|----------------------------------|------------------------------|
|           |         |         |         |                      |          |            | List Price                       | List Price                   |
| RMP72-007 | 72"     | 11-1/4" | 7"      | Requires Top         | 17       | 482.00     | 198.00                           | -                            |
| RMP72-012 | 72"     | 11-1/4" | 12"     | Requires Top         | 22       | 516.00     | 198.00                           | 311.00                       |
| RMP72-019 | 72"     | 11-1/4" | 19-1/2" | Requires Top         | 27       | 563.00     | 198.00                           | 484.00                       |
| RMP72-026 | 72"     | 11-1/4" | 26-1/2" | Requires Top         | 33       | 615.00     | 198.00                           | 695.00                       |
| RMP84-519 | 84"     | 11-1/4" | 19-1/2" | Requires Top         | 39       | 981.00     | 219.00                           | 689.00                       |
| RMP84-526 | 84"     | 11-1/4" | 26-1/2" | Requires Top         | 46       | 1,029.00   | 219.00                           | 970.00                       |
| RMP25-507 | 25-3/8" | 15-1/2" | 7"      | 2 Section Legal      | 5        | 371.00     | 146.00                           | -                            |
| RMP25-512 | 25-3/8" | 15-1/2" | 12"     | 2 Section Legal      | 7        | 410.00     | 146.00                           | 175.00                       |
| RMP25-519 | 25-3/8" | 15-1/2" | 19-1/2" | 2 Section Legal      | 10       | 462.00     | 146.00                           | 285.00                       |
| RMP25-526 | 25-3/8" | 15-1/2" | 26-1/2" | 2 Section Legal      | 13       | 516.00     | 146.00                           | 379.00                       |
| RMP38-507 | 37-3/4" | 15-1/2" | 7"      | 3 Section Legal      | 9        | 412.00     | 159.00                           | -                            |
| RMP38-512 | 37-3/4" | 15-1/2" | 12"     | 3 Section Legal      | 11       | 437.00     | 159.00                           | 198.00                       |
| RMP38-519 | 37-3/4" | 15-1/2" | 19-1/2" | 3 Section Legal      | 14       | 491.00     | 159.00                           | 359.00                       |
| RMP38-526 | 37-3/4" | 15-1/2" | 26-1/2" | 3 Section Legal      | 22       | 543.00     | 159.00                           | 462.00                       |
| RMP50-507 | 50-1/8" | 15-1/2" | 7"      | 4 Section Legal      | 8        | 434.00     | 172.00                           | -                            |
| RMP50-512 | 50-1/8" | 15-1/2" | 12"     | 4 Section Legal      | 10       | 462.00     | 172.00                           | 242.00                       |
| RMP50-519 | 50-1/8" | 15-1/2" | 19-1/2" | 4 Section Legal      | 15       | 516.00     | 172.00                           | 391.00                       |
| RMP50-526 | 50-1/8" | 15-1/2" | 26-1/2" | 4 Section Legal      | 20       | 563.00     | 172.00                           | 525.00                       |
| RMP62-507 | 62-3/8" | 15-1/2" | 7"      | 5 Section Legal      | 17       | 466.00     | 178.00                           | -                            |
| RMP62-512 | 62-3/8" | 15-1/2" | 12"     | 5 Section Legal      | 20       | 490.00     | 178.00                           | 285.00                       |
| RMP62-519 | 62-3/8" | 15-1/2" | 19-1/2" | 5 Section Legal      | 26       | 537.00     | 178.00                           | 470.00                       |
| RMP62-526 | 62-3/8" | 15-1/2" | 26-1/2" | 5 Section Legal      | 34       | 586.00     | 178.00                           | 630.00                       |
| RMP74-507 | 74-5/8" | 15-1/2" | 7"      | 6 Section Legal      | 20       | 516.00     | 198.00                           | -                            |
| RMP74-512 | 74-5/8" | 15-1/2" | 12"     | 6 Section Legal      | 26       | 524.00     | 198.00                           | 337.00                       |
| RMP74-519 | 74-5/8" | 15-1/2" | 19-1/2" | 6 Section Legal      | 30       | 607.00     | 198.00                           | 510.00                       |
| RMP74-526 | 74-5/8" | 15-1/2" | 26-1/2" | 6 Section Legal      | 36       | 665.00     | 198.00                           | 734.00                       |
| RMP30-507 | 30"     | 15-1/2" | 7"      | Requires Top         | 6        | 392.00     | 146.00                           | -                            |
| RMP30-512 | 30"     | 15-1/2" | 12"     | Requires Top         | 7        | 426.00     | 146.00                           | 186.00                       |
| RMP30-519 | 30"     | 15-1/2" | 19-1/2" | Requires Top         | 12       | 466.00     | 146.00                           | 341.00                       |
| RMP30-526 | 30"     | 15-1/2" | 26-1/2" | Requires Top         | 14       | 525.00     | 146.00                           | 456.00                       |
| RMP36-507 | 36"     | 15-1/2" | 7"      | Requires Top         | 9        | 406.00     | 159.00                           | -                            |
| RMP36-512 | 36"     | 15-1/2" | 12"     | Requires Top         | 13       | 430.00     | 159.00                           | 198.00                       |
| RMP36-519 | 36"     | 15-1/2" | 19-1/2" | Requires Top         | 19       | 482.00     | 159.00                           | 359.00                       |
| RMP36-526 | 36"     | 15-1/2" | 26-1/2" | Requires Top         | 22       | 531.00     | 159.00                           | 462.00                       |

Continued on Next Page

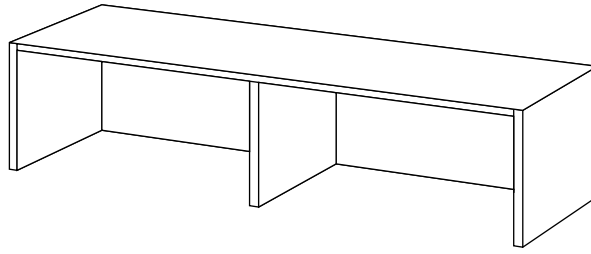
# RMP Risers, Continued

| Item #    | Width   | Depth   | Height  | Matching Sort Module | Est Lbs. | List Price | Add for 1" Laminated Top Surface | Add for UPH Tackboard Panels |
|-----------|---------|---------|---------|----------------------|----------|------------|----------------------------------|------------------------------|
|           |         |         |         |                      |          |            | List Price                       | List Price                   |
| RMP48-507 | 48"     | 15-1/2" | 7"      | Requires Top         | 8        | 425.00     | 172.00                           | -                            |
| RMP48-512 | 48"     | 15-1/2" | 12"     | Requires Top         | 9        | 454.00     | 172.00                           | 242.00                       |
| RMP48-519 | 48"     | 15-1/2" | 19-1/2" | Requires Top         | 14       | 516.00     | 172.00                           | 391.00                       |
| RMP48-526 | 48"     | 15-1/2" | 26-1/2" | Requires Top         | 20       | 550.00     | 172.00                           | 525.00                       |
| RMP72-507 | 72"     | 15-1/2" | 7"      | Requires Top         | 20       | 482.00     | 198.00                           | -                            |
| RMP72-512 | 72"     | 15-1/2" | 12"     | Requires Top         | 26       | 516.00     | 198.00                           | 337.00                       |
| RMP72-519 | 72"     | 15-1/2" | 19-1/2" | Requires Top         | 30       | 563.00     | 198.00                           | 510.00                       |
| RMP72-526 | 72"     | 15-1/2" | 26-1/2" | Requires Top         | 36       | 615.00     | 198.00                           | 734.00                       |
| RMP31-507 | 30-1/2" | 15-1/2" | 7"      | 2 Section Oversize   | 6        | 392.00     | 146.00                           | -                            |
| RMP31-512 | 30-1/2" | 15-1/2" | 12"     | 2 Section Oversize   | 7        | 426.00     | 146.00                           | 186.00                       |
| RMP31-519 | 30-1/2" | 15-1/2" | 19-1/2" | 2 Section Oversize   | 12       | 466.00     | 146.00                           | 341.00                       |
| RMP31-526 | 30-1/2" | 15-1/2" | 26-1/2" | 2 Section Oversize   | 14       | 525.00     | 146.00                           | 456.00                       |
| RMP45-507 | 45-1/4" | 15-1/2" | 7"      | 3 Section Oversize   | 9        | 412.00     | 172.00                           | -                            |
| RMP45-512 | 45-1/4" | 15-1/2" | 12"     | 3 Section Oversize   | 9        | 437.00     | 172.00                           | 239.00                       |
| RMP45-519 | 45-1/4" | 15-1/2" | 19-1/2" | 3 Section Oversize   | 14       | 491.00     | 172.00                           | 385.00                       |
| RMP45-526 | 45-1/4" | 15-1/2" | 26-1/2" | 3 Section Oversize   | 19       | 543.00     | 172.00                           | 513.00                       |
| RMP60-507 | 60"     | 15-1/2" | 7"      | 4 Section Oversize   | 17       | 454.00     | 178.00                           | -                            |
| RMP60-512 | 60"     | 15-1/2" | 12"     | 4 Section Oversize   | 20       | 477.00     | 178.00                           | 275.00                       |
| RMP60-519 | 60"     | 15-1/2" | 19-1/2" | 4 Section Oversize   | 26       | 527.00     | 178.00                           | 470.00                       |
| RMP60-526 | 60"     | 15-1/2" | 26-1/2" | 4 Section Oversize   | 34       | 579.00     | 178.00                           | 630.00                       |
| RMP75-507 | 74-5/8" | 15-1/2" | 7"      | 5 Section Oversize   | 20       | 516.00     | 198.00                           | -                            |
| RMP75-512 | 74-5/8" | 15-1/2" | 12"     | 5 Section Oversize   | 26       | 524.00     | 198.00                           | 337.00                       |
| RMP75-519 | 74-5/8" | 15-1/2" | 19-1/2" | 5 Section Oversize   | 30       | 607.00     | 198.00                           | 510.00                       |
| RMP75-526 | 74-5/8" | 15-1/2" | 26-1/2" | 5 Section Oversize   | 36       | 665.00     | 198.00                           | 734.00                       |

Laminate Top measurement calculation.



# RSR Risers



RSR Risers are constructed of 3/4" laminated wood. Clearance is 3/4" less than overall height. Models over 48" wide have intermediate support. All RSR Risers are 12" high.

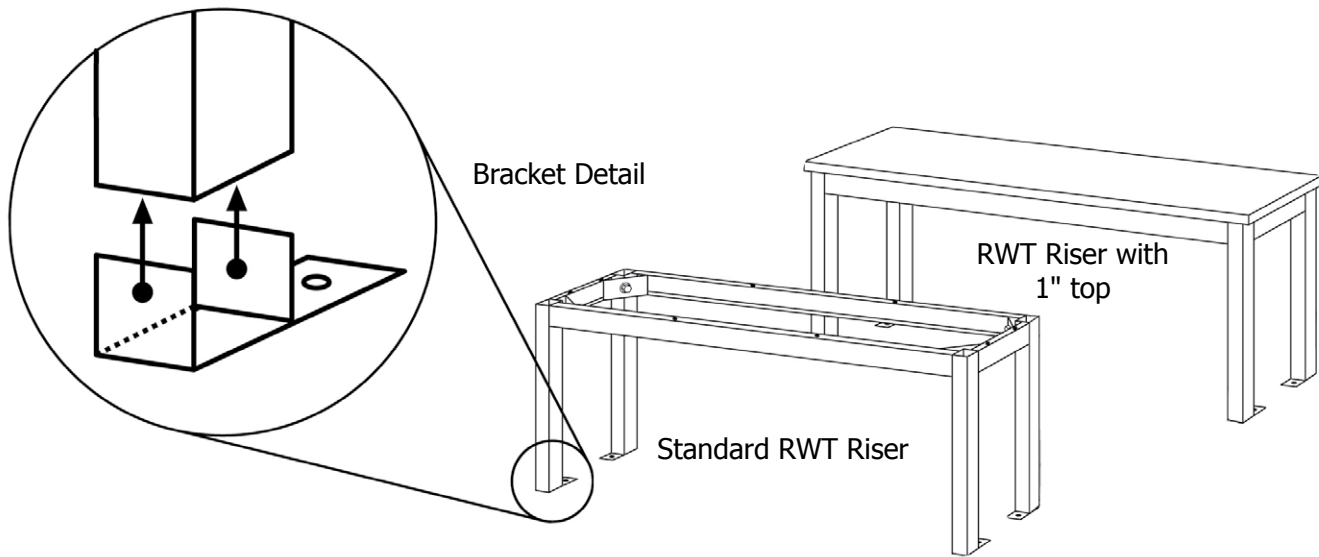
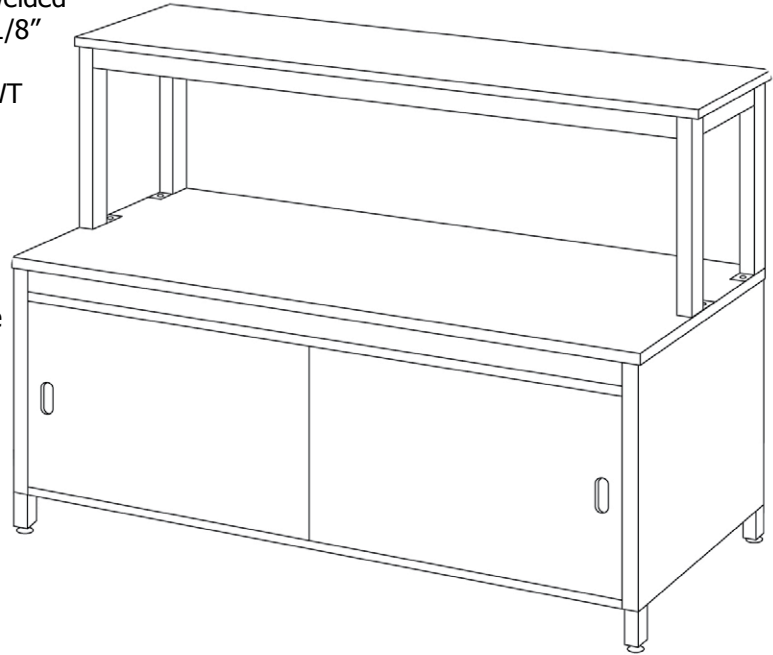
| Item #  | Width     | Depth   | Matching Sort Module        | Est Lbs. | List Price |
|---------|-----------|---------|-----------------------------|----------|------------|
| RSR13   | 13-1/8"   | 16-1/4" | 1 Section Legal             | 7        | 219.00     |
| RSR16   | 15-5/8"   | 16-1/4" | 1 Section Oversize          | 7        | 252.00     |
| RSR25   | 25-3/8"   | 16-1/4" | 2 Section Legal             | 10       | 252.00     |
| RSR25LT | 25-3/8"   | 12-1/4" | 2 Section Letter            | 11       | 252.00     |
| RSR31   | 30-1/2"   | 16-1/4" | 2 Section Oversize          | 16       | 279.00     |
| RSR38   | 37-3/4"   | 16-1/4" | 3 Section Legal             | 17       | 304.00     |
| RSR38LT | 37-3/4"   | 12-1/4" | 3 Section Letter            | 16       | 304.00     |
| RSR45   | 45-1/4"   | 16-1/4" | 3 Section Oversize          | 20       | 327.00     |
| RSR48   | 48"       | 16"     | BSR48                       | 21       | 327.00     |
| RSR50   | 50-1/8"   | 16-1/4" | 4 Section Legal             | 22       | 368.00     |
| RSR50LT | 50-1/8"   | 12-1/4" | 4 Section letter            | 21       | 368.00     |
| RSR60   | 60"       | 16-1/4" | 4 Section Oversize or BSR60 | 30       | 388.00     |
| RSR62   | 62-3/8"   | 16-1/4" | 5 Section Legal or BSR62    | 34       | 388.00     |
| RSR62LT | 62-3/8"   | 12-1/4" | 5 Section Letter            | 33       | 388.00     |
| RSR72   | 72"       | 16"     | BSR72                       | 38       | 420.00     |
| RSR74   | 74-11/16" | 16-1/4" | 6 Section Legal             | 30       | 420.00     |
| RSR74LT | 74-11/16" | 12-1/4" | 6 Section Letter            | 29       | 420.00     |
| RSR75   | 74-11/16" | 16-1/4" | 5 Section Oversize          | 39       | 420.00     |

# RWT Risers

RWT Risers consist of a 2 inch rolled steel welded frame with baked enamel finish and four 1-1/8" square steel painted legs. Sides and back are not enclosed, allowing pass-through. RWT Risers are often used with open back sort modules. All RWT Risers are 18" high and clearance is 2-1/4" less than overall height, or 3-1/4" less than overall height when ordered with optional top.

- Options:
- 1" Laminated wood top for use without Sort Module
  - Task Lights
  - Keyboard Platform

Note: Compatible Sort Modules and Optional Tops are approximately 1/2" wider and 1/2" deeper than RWT Riser size.



NOTE: All RWT Risers require Sort Module or 1" Laminated Top Surface

| Item #    | Width   | Depth   | Matching Sort Module | Est Lbs. | List Price | Add for 1" Laminated Top Surface |
|-----------|---------|---------|----------------------|----------|------------|----------------------------------|
|           |         |         |                      |          |            | List Price                       |
| RWT25X12D | 24-3/4" | 11-1/4" | 2 Section Letter     | 13       | 295.00     | 146.00                           |
| RWT25X16D | 24-3/4" | 15-1/4" | 2 Section Legal      | 14       | 295.00     | 146.00                           |
| RWT30X12D | 29-1/2" | 11-1/4" | Requires Top         | 15       | 320.00     | 146.00                           |
| RWT30X16D | 29-1/2" | 15-1/4" | 2 Section Oversize   | 17       | 320.00     | 146.00                           |
| RWT36X12D | 35-1/2" | 11-1/4" | Requires Top         | 16       | 320.00     | 146.00                           |
| RWT36X16D | 35-1/2" | 15-1/4" | Requires Top         | 18       | 320.00     | 146.00                           |

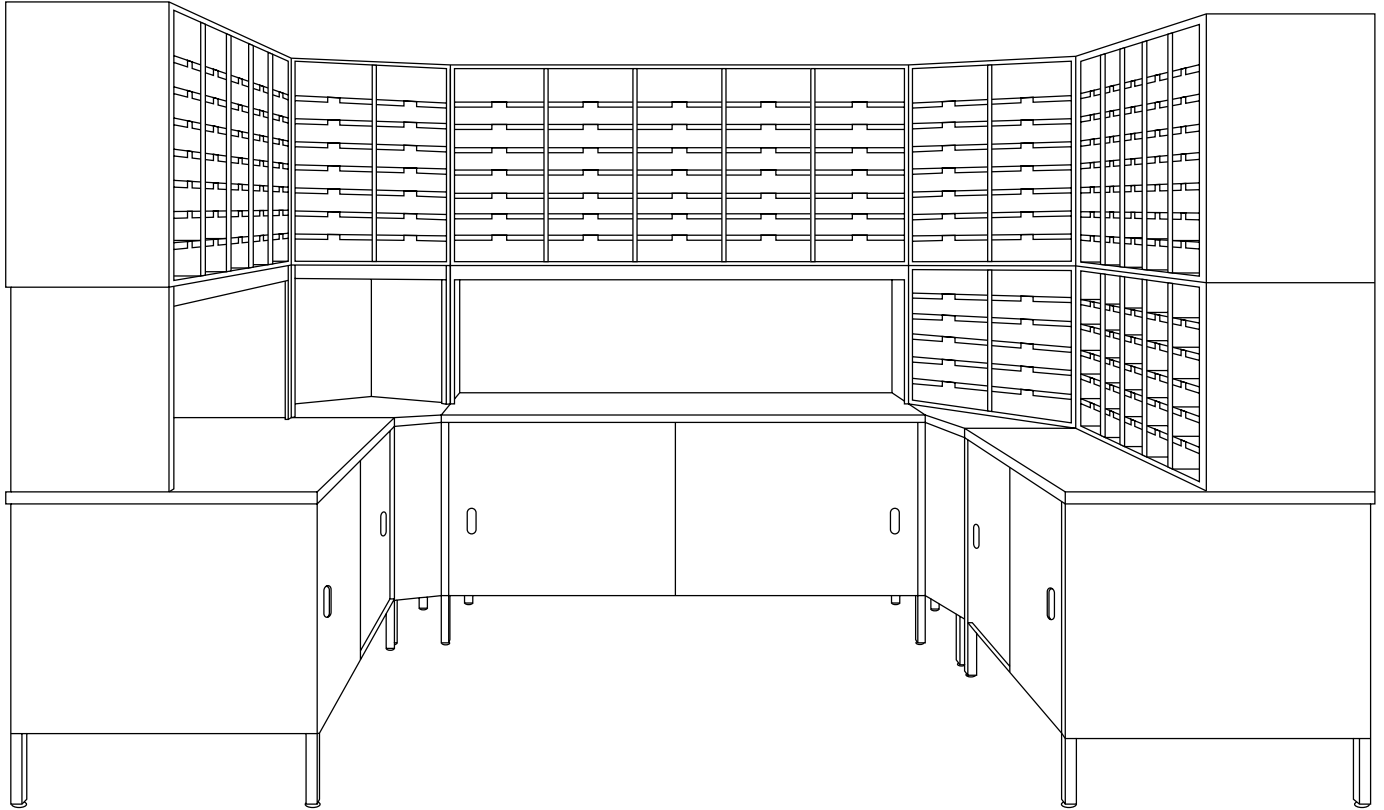
# RWT Risers

| Item #    | Width   | Depth   | Matching Sort Module | Est Lbs. | List Price | Add for 1" Laminated Top Surface |
|-----------|---------|---------|----------------------|----------|------------|----------------------------------|
|           |         |         |                      |          |            | List Price                       |
| RWT38X16D | 36-3/4" | 15-1/4" | 3 Section Legal      | 17       | 320.00     | 146.00                           |
| RWT38X12D | 36-3/4" | 12-1/4" | 3 Section Letter     | 16       | 320.00     | 146.00                           |
| RWT45X16D | 44-5/8" | 15-1/4" | 3 Section Oversize   | 19       | 353.00     | 172.00                           |
| RWT48X12D | 47-1/2" | 11-1/4" | Requires Top         | 18       | 353.00     | 172.00                           |
| RWT48X16D | 47-1/2" | 15-1/4" | BSR48                | 20       | 353.00     | 172.00                           |
| RWT50X12D | 49-5/8" | 11-1/4" | 4 Section Legal      | 19       | 353.00     | 172.00                           |
| RWT50X16D | 49-5/8" | 15-1/4" | 4 Section letter     | 20       | 494.00     | 172.00                           |
| RWT60X12D | 59-1/4" | 11-1/4" | Requires Top         | 22       | 494.00     | 178.00                           |
| RWT60X16D | 59-1/4" | 15-1/4" | 4 Section Oversize   | 24       | 494.00     | 178.00                           |
| RWT62X12D | 61-7/8" | 11-1/4" | 5 Section Letter     | 22       | 494.00     | 178.00                           |
| RWT62X16D | 61-7/8" | 15-1/4" | 5 Section Legal      | 24       | 550.00     | 178.00                           |
| RWT72X12D | 71-1/2" | 11-1/4" | Requires Top         | 26       | 550.00     | 198.00                           |
| RWT72X16D | 71-1/2" | 15-1/4" | BSR72                | 28       | 550.00     | 198.00                           |
| RWT74X16D | 74"     | 15-1/4" | 6 Section Legal      | 28       | 550.00     | 198.00                           |
| RWT74X12D | 74"     | 12-1/4" | 6 Section Letter     | 27       | 550.00     | 198.00                           |
| RWT75X16D | 74"     | 15-1/4" | 5 Section Oversize   | 29       | 550.00     | 198.00                           |
| RWT84X16D | 83-1/2" | 15-1/4" | Requires Top         | 34       | 613.00     | 219.00                           |

Note: Compatible Sort Modules and Optional Tops are approximately 1/2" wider and 1/2" deeper than RWT Riser size.

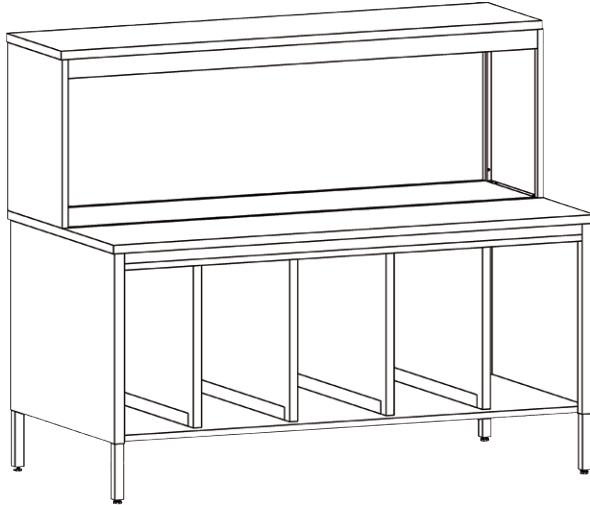
# Work Station #1

CTA Console Tables feature concealed storage area under tables in this step-saving layout. Risers under three sort modules may be placed to left or right side of station to fit incoming or outgoing functions. Clearance under risers is 17". Sort shelves adjust in 1 inch increments. Overall height adjusts from 74" to 82". Specify paint color for table bases, risers and sort module shelves. Specify laminate color for tabletops and sort module exteriors. Provides 196 openings.



| Item #       | Tables                    | Risers                         | Sort Modules   | Floor Space Required |           | I.D Each Slot |         | Est Lbs. | List Price |
|--------------|---------------------------|--------------------------------|--|----------------------|-----------|---------------|---------|----------|------------|
|              |                           |                                |  | Width                | Depth     | Width         | Depth   |          |            |
| Station 1LTR | (3) CTA62SSD<br>(2) CTA30 | (2) RMP62-019 (1)<br>RMP25-019 | (1) SR1902<br>(2) SR2602<br>(3) SR1905<br>(1) SR2605 | 10' 2-3/8"           | 7' 8-3/8" | 11-1/4"       | 11-1/4" | 1,500    | 16,331.00  |
| Station 1LGL | (3) CTA62SSD<br>(2) CTA34 | (2) RMP62-519 (1)<br>RMP25-519 | (1) SR1952<br>(2) SR2652<br>(3) SR1955<br>(1) SR2655 | 10' 10-3/8"          | 8' -3/8"  | 11-1/4"       | 15-1/2" | 1,930    | 16,643.00  |
| Station 1OVR | (3) CTA75SSD<br>(2) CTA37 | (2) RMP75-019 (1)<br>RMP30-019 | (1) SR1982<br>(2) SR2682<br>(3) SR1985<br>(1) SR2685 | 12' 5-3/4"           | 9' -1/4"  | 13-1/2"       | 15-1/2" | 2,265    | 20,035.00  |

## Workstation #2



CTA style table, adjustable in height from 28" to 36". 19-1/2"H RMP riser holds printer, monitor, and other equipment.

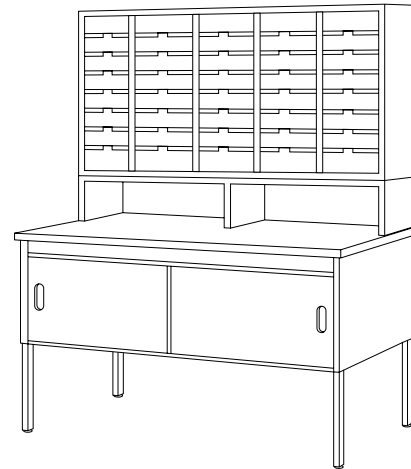
Specify paint color for table base and riser base. Specify laminate color for tabletop and top of riser.

| Item #    | Tables                               | Risers                         | Sort Modules | Floor Space Required |       | I.D Each Slot |       | Est Lbs. | List Price |
|-----------|--------------------------------------|--------------------------------|--------------|----------------------|-------|---------------|-------|----------|------------|
|           |                                      |                                |              | Width                | Depth | Width         | Depth |          |            |
| Station 2 | (1) CTA605 (4) SD-CTA Shelf Dividers | (1) RMP60-519 (1) OT60X16D Top | n/a          | 60"                  | 30"   | n/a           | n/a   | 320      | 2,566.00   |

## Work Station #3

For small mailrooms or satellite stations. STA Table provides storage. Laminated RSR style riser allows full use of work surface. Sorts adjust in 1" increments. Overall height adjusts from 66-1/2" to 74-1/2" with 12" riser.

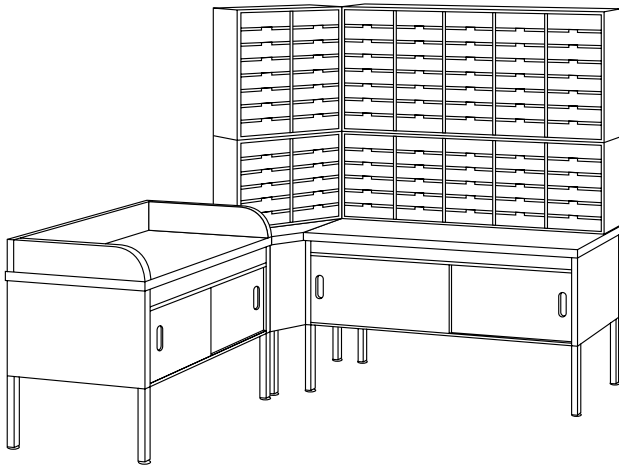
Riser for Work Station #3 is 12" high. Specify paint color for table base and sort module shelves. Specify laminate color for tabletop, riser and sort module. Provides 40 openings.



| Item #       | Tables       | Risers    | Sort Modules | Floor Space Required |       | I.D Each Slot |         | Est Lbs. | List Price |
|--------------|--------------|-----------|--------------|----------------------|-------|---------------|---------|----------|------------|
|              |              |           |              | Width                | Depth | Width         | Depth   |          |            |
| Station 3LTR | (1) STA62SSD | (1) RSR62 | (1) SR2605   | 62-3/8"              | 30"   | 11-1/4"       | 11-1/4" | 335      | 3,350.00   |
| Station 3LGL | (1) STA62SSD | (1) RSR62 | (1) SR2655   | 62-3/8"              | 30"   | 11-1/4"       | 15-1/2" | 440      | 3,621.00   |
| Station 3OVR | (1) STA75SSD | (1) RSR75 | (1) RSR75    | 74-3/4"              | 30"   | 13-1/2"       | 15-1/2" | 505      | 3,807.00   |



## Work Station #4



This incoming dump/sort station includes STA style tables with storage. Sorts adjust in 1" increments. Overall height adjusts from 74" to 82".

Specify paint color for table bases and sort module shelves.

Specify laminate color for tabletop, dump rim and sort modules.

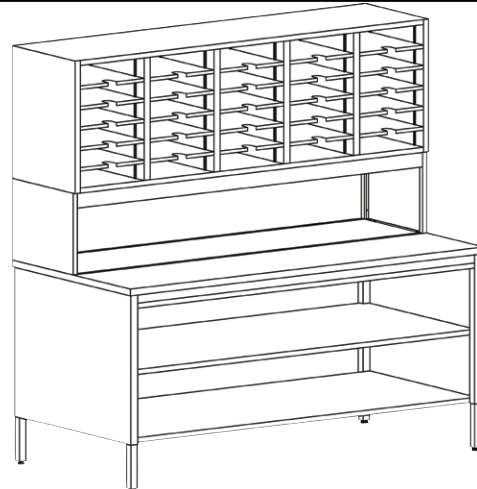
Provides 98 openings.

| Item #       | Tables  | Risers | Sort Modules   | Floor Space Required |           | I.D Each Slot |         | Est Lbs. | List Price |
|--------------|---|--------|--|----------------------|-----------|---------------|---------|----------|------------|
|              |   |        |  | Width                | Depth     | Width         | Depth   |          |            |
| Station 4LTR | (2) STA62SSD with (1) DT6230 Dump Rim (1) STA30 | None   | (1) SR1902<br>(1) SR2602<br>(1) SR1905<br>(1) SR2605 | 7' 8-3/8"            | 7' 8-3/8" | 11-1/4"       | 11-1/4" | 840      | 8,214.00   |
| Station 4LGL | (2) STA62SSD with (1) DT6230 Dump Rim (1) STA34 | None   | (1) SR1952<br>(1) SR2652<br>(1) SR1955<br>(1) SR2655 | 8' -3/8"             | 8' -3/4"  | 11-1/4"       | 15-1/2" | 1,060    | 8,798.00   |
| Station 4OVR | (2) STA75SSD with (1) DT7530 Dump Rim (1) STA37 | None   | (1) SR1982<br>(1) SR2682<br>(1) SR1985<br>(1) SR2685 | 9' 4-1/4"            | 9' 4-1/4" | 13-1/2"       | 15-1/2" | 1,200    | 9,515.00   |

## Work Station #5

This incoming dump/sort station includes CTA style tables with shelves. Sorts adjust in 1" increments.

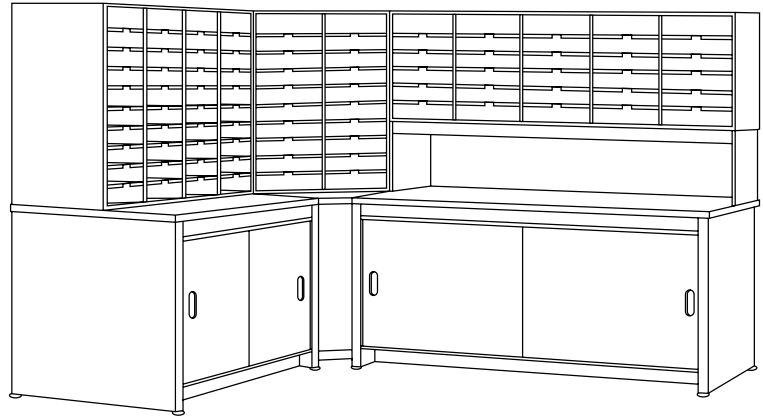
Specify paint color for table bases and sort module shelves. Specify laminate color for tabletop and sort modules. Provides 30 openings.



| Item #       | Tables                        | Risers        | Sort Modules | Floor Space Required |       | I.D Each Slot |         | Est Lbs. | List Price |
|--------------|-------------------------------|---------------|--------------|----------------------|-------|---------------|---------|----------|------------|
|              |                               |               |              | Width                | Depth | Width         | Depth   |          |            |
| Station 5LTR | (1) CTA62S (1) IS62-CTA Shelf | (1) RMP62-012 | (1) SR1905   | 62-3/8"              | 30"   | 11-1/4"       | 11-1/4" | 375      | 3,518.00   |
| Station 5LGL | (1) CTA62S (1) IS62-CTA Shelf | (1) RMP62-512 | (1) SR1955   | 62-3/8"              | 30"   | 11-1/4"       | 15-1/2" | 419      | 3,604.00   |
| Station 5OVR | (1) CTA75S (1) IS75-CTA Shelf | (1) RMP75-512 | (1) SR1985   | 74-3/4"              | 30"   | 13-1/2"       | 15-1/2" | 510      | 3,930.00   |

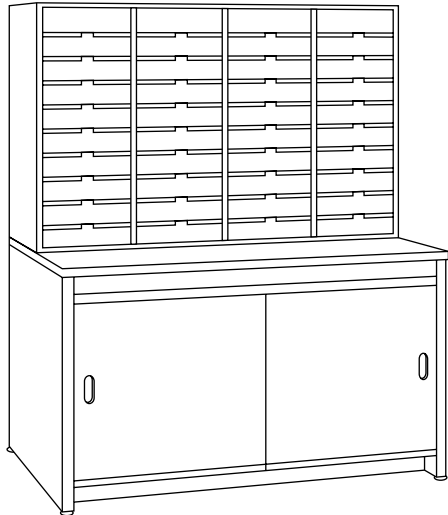
## Work Station #6

Base Cabinet style tables provide maximum storage capacity. Includes angled table top corner filler and one 12" high riser. Sorts adjust in 1" increments. Table height is 30". Overall height is 61-1/2". Specify paint color for table bases, riser and sort module shelves. Specify laminate color for tabletops and sort modules. Provides 90 openings.



| Item #       | Tables  | Risers        | Sort Modules                           | Floor Space Required |           | I.D Each Slot |         | Est Lbs. | List Price |
|--------------|---|---------------|--|----------------------|-----------|---------------|---------|----------|------------|
|              |   |               |  | Width                | Depth     | Width         | Depth   |          |            |
| Station 6LTR | (1) BC50-30H (1)<br>BCF30-30H (1)<br>BC62-30H | (1) RMP62-012 | (1) SR3104<br>(1) SR3102<br>(1) SR1905 | 7' 8-3/8"            | 80"       | 11-1/4"       | 11-1/4" | 790      | 7,954.00   |
| Station 6LGL | (1) BC50-30H (1)<br>BCF34-30H (1)<br>BC62-30H | (1) RMP62-512 | (1) SR3154<br>(1) SR3152<br>(1) SR1955 | 8' -3/8"             | 7' -3/8"  | 11-1/4"       | 15-1/2" | 990      | 8,343.00   |
| Station 6OVR | (1) BC60-30H (1)<br>BCF37-30H (1)<br>BC75-30H | (1) RMP75-512 | (1) SR3184<br>(1) SR3182<br>(1) SR1985 | 9' 4-1/4"            | 8' 1-1/2" | 13-1/2"       | 15-1/2" | 1,190    | 9,216.00   |

## Work Station #7



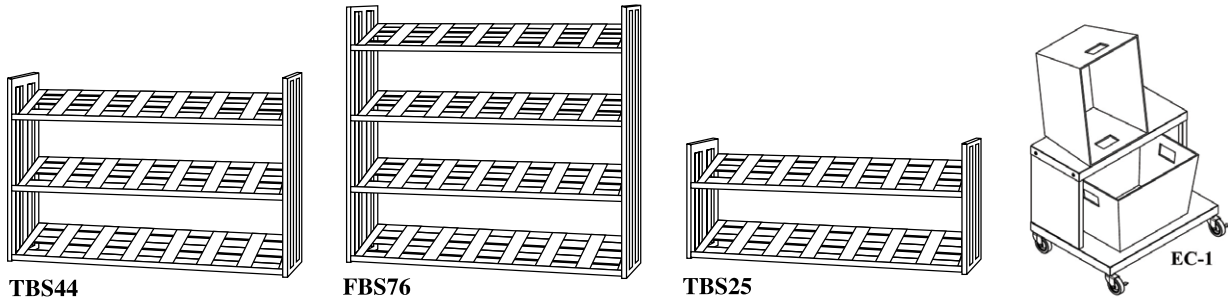
For smaller mailrooms or satellite stations. Features a 30" high Base Cabinet style table for maximum storage capacity. Sort shelves adjust in 1" increments. Overall height of station is 61-1/2".

Specify paint color for table base and sort shelves. Specify laminate color for tabletop and sort module.

Provides 40 openings.

| Item #       | Tables       | Risers | Sort Modules | Floor Space Required |       | I.D Each Slot |         | Est Lbs. | List Price |
|--------------|--------------|--------|--------------|----------------------|-------|---------------|---------|----------|------------|
|              |              |        |              | Width                | Depth | Width         | Depth   |          |            |
| Station 7LTR | (1) BC50-30H | None   | (1) SR3104   | 50-1/8"              | 30"   | 11-1/4"       | 11-1/4" | 335      | 3,112.00   |
| Station 7LGL | (1) BC50-30H | None   | (1) SR3154   | 50-1/8"              | 30"   | 11-1/4"       | 15-1/2" | 395      | 3,280.00   |
| Station 7OVR | (1) BC60-30H | None   | (1) SR3184   | 60"                  | 30"   | 13-1/2"       | 15-1/2" | 500      | 3,524.00   |

# Bulk Sort Stands



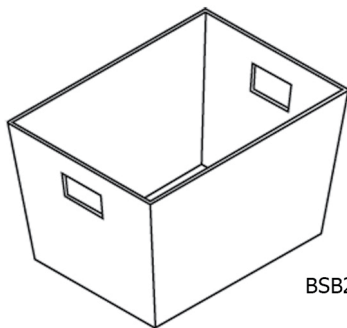
Heavy gauge steel racks hold bulk sorting bins and tubs. Angled shelves provide easy access. Baked enamel finish from Datum standard paint color selection. Select from a variety of table top and free standing models in 60" and 72" widths. Bins are ordered separately.

## Mail Master Bulk Sort Stands

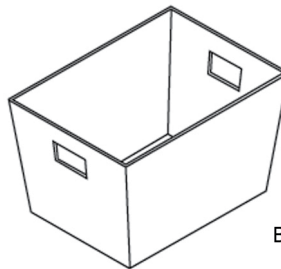
| Item #    | Model Description                                   | Capacity                             | Est Lbs. | List Price |
|-----------|---|--------------------------------------|----------|------------|
| FBS7660-4 | Free Standing Bulk Sort Stand 4 tier<br>60"W x 66"H | 12 ea. BSB2315 or 16 USPS white tubs | 140      | 1,426.00   |
| FBS7672-4 | Free Standing Bulk Sort Stand 4 tier<br>72"W x 66"H | 16 ea. BSB2315 or 20 USPS white tubs | 168      | 1,457.00   |
| TBS2560-2 | Tabletop Bulk Sort Stand 2 tier<br>60"W x 32"H      | 6 ea. BSB2315 or 8 USPS white tubs   | 70       | 953.00     |
| TBS2572-2 | Tabletop Bulk Sort Stand 2 tier<br>72"W x 32"H      | 8 ea. BSB2315 or 10 USPS white tubs  | 84       | 1,020.00   |
| TBS4460-3 | Tabletop Bulk Sort Stand 3 tier<br>60"W x 44"H      | 9 ea. BSB2315 or 15 USPS white tubs  | 135      | 1,198.00   |
| TBS4472-3 | Tabletop Bulk Sort Stand 3 tier<br>72"W x 44"H      | 12 ea. BSB2315 or 15 USPS white tubs | 144      | 1,246.00   |
| C660      | 6" Casters - Set of 4                               | n/a                                  | 16       | 280.00     |
| EC-1      | Mobile Tote Extraction Cart                         | 2 ea. BSB1318                        | 30       | 296.00     |



Model #C660  
Set of 4  
6" Casters



BSB2315



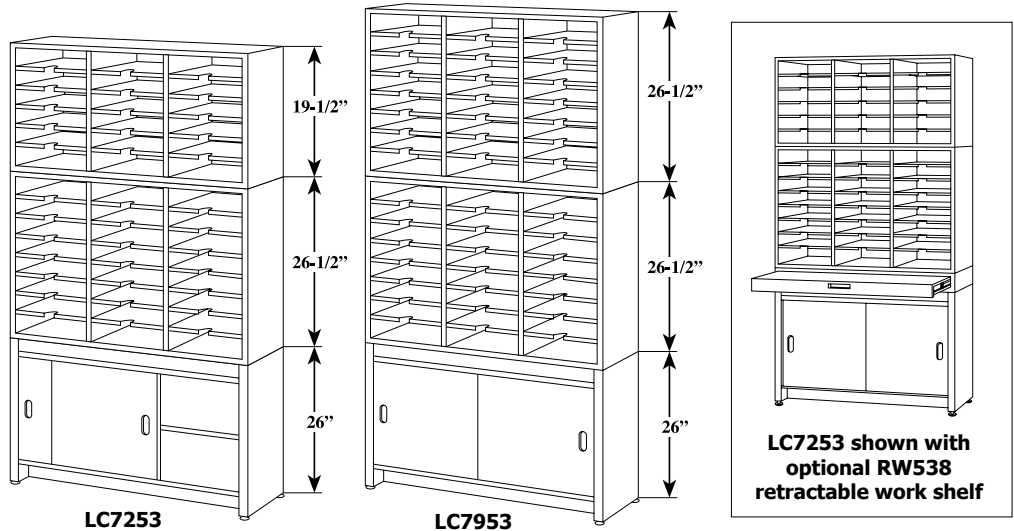
BSB1318

## Mail Master Bulk Sort Bins

| Item#   | Model Description    | Width   | Depth   | Height  | Est Lbs. | List Price |
|---------|----------------------|---------|---------|---------|----------|------------|
| BSB2315 | Large Postal Tote    | 15-3/4" | 23-1/2" | 11-1/4" | 5        | 111.00     |
| BSB1318 | Standard Postal Tote | 13-1/2" | 18"     | 11-3/4" | 5        | 36.00      |

# Literature Cabinet Racks

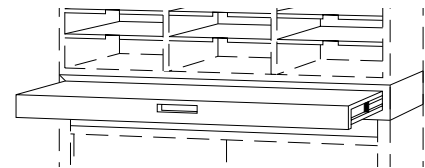
Literature Cabinet Racks have Letter and Legal size shelf spaces and are available 72" or 79" high. Base cabinet has an adjustable intermediate shelf and leveling glides.



LC7253 shown with optional RW538 retractable work shelf

| Item #   | Outside Dimensions |         |         | Opening Size (Each Sort) |         |         | # of Vertical Sorts | # of Shelves | # of Openings | Est Lbs. | List Price |
|----------|--------------------|---------|---------|--------------------------|---------|---------|---------------------|--------------|---------------|----------|------------|
|          | H                  | W       | D       | H                        | W       | D       |                     |              |               |          |            |
| LC7252   | 72"                | 25-3/8" | 16-1/4" | 3"                       | 11-1/4" | 15-1/2" | 2                   | 24           | 28            | 245      | 2,245.00   |
| LC7252LT | 72"                | 25-3/8" | 12-1/4" | 3"                       | 11-1/4" | 11-1/4" | 2                   | 24           | 28            | 235      | 2,245.00   |
| LC7253   | 72"                | 37-3/4" | 16-1/4" | 3"                       | 11-1/4" | 15-1/2" | 3                   | 36           | 42            | 330      | 2,755.00   |
| LC7253LT | 72"                | 37-3/4" | 12-1/4" | 3"                       | 11-1/4" | 11-1/4" | 3                   | 36           | 42            | 320      | 2,755.00   |
| LC7254   | 72"                | 50-1/8" | 16-1/4" | 3"                       | 11-1/4" | 15-1/2" | 4                   | 48           | 56            | 415      | 3,228.00   |
| LC7254LT | 72"                | 50-1/8" | 12-1/4" | 3"                       | 11-1/4" | 11-1/4" | 4                   | 48           | 56            | 405      | 3,228.00   |
| LC7255   | 72"                | 62-3/8" | 16-1/4" | 3"                       | 11-1/4" | 15-1/2" | 5                   | 60           | 70            | 520      | 3,654.00   |
| LC7255LT | 72"                | 62-3/8" | 12-1/4" | 3"                       | 11-1/4" | 11-1/4" | 5                   | 60           | 70            | 510      | 3,654.00   |
| LC7256   | 72"                | 74-3/4" | 16-1/4" | 3"                       | 11-1/4" | 15-1/2" | 6                   | 72           | 84            | 615      | 4,156.00   |
| LC7256LT | 72"                | 74-3/4" | 12-1/4" | 3"                       | 11-1/4" | 11-1/4" | 6                   | 72           | 84            | 605      | 4,156.00   |
| LC7952   | 79"                | 25-3/8" | 16-1/4" | 3"                       | 11-1/4" | 15-1/2" | 2                   | 28           | 32            | 265      | 2,334.00   |
| LC7952LT | 79"                | 25-3/8" | 12-1/4" | 3"                       | 11-1/4" | 11-1/4" | 2                   | 28           | 32            | 255      | 2,334.00   |
| LC7953   | 79"                | 37-3/4" | 16-1/4" | 3"                       | 11-1/4" | 15-1/2" | 3                   | 42           | 48            | 345      | 2,903.00   |
| LC7953LT | 79"                | 37-3/4" | 12-1/4" | 3"                       | 11-1/4" | 11-1/4" | 3                   | 42           | 48            | 335      | 2,903.00   |
| LC7954   | 79"                | 50-1/8" | 16-1/4" | 3"                       | 11-1/4" | 15-1/2" | 4                   | 56           | 64            | 440      | 3,423.00   |
| LC7954LT | 79"                | 50-1/8" | 12-1/4" | 3"                       | 11-1/4" | 11-1/4" | 4                   | 56           | 64            | 430      | 3,423.00   |
| LC7955   | 79"                | 62-3/8" | 16-1/4" | 3"                       | 11-1/4" | 15-1/2" | 5                   | 70           | 80            | 560      | 3,961.00   |
| LC7955LT | 79"                | 62-3/8" | 12-1/4" | 3"                       | 11-1/4" | 11-1/4" | 5                   | 70           | 80            | 550      | 3,961.00   |
| LC7956   | 79"                | 74-3/4" | 16-1/4" | 3"                       | 11-1/4" | 15-1/2" | 6                   | 84           | 96            | 680      | 4,499.00   |
| LC7956LT | 79"                | 74-3/4" | 12-1/4" | 3"                       | 11-1/4" | 11-1/4" | 6                   | 84           | 96            | 670      | 4,499.00   |

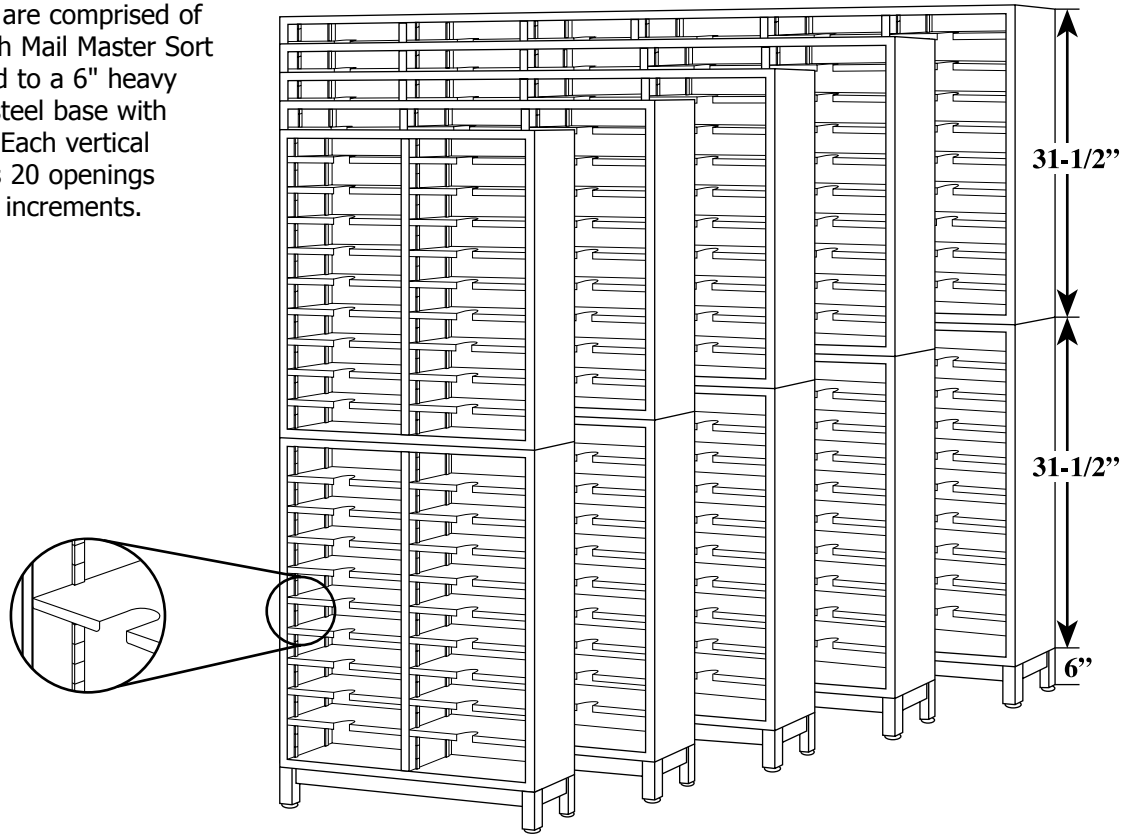
| Item #  | Matching Sort Modules | Weight | List Price |
|---------|-----------------------|--------|------------|
| RWS25   | 2 Section Legal Size  | 40     | 477.00     |
| RWS25LT | 2 Section Letter Size | 38     | 477.00     |
| RWS38   | 3 Section Legal Size  | 52     | 528.00     |
| RWS38LT | 3 Section Letter Size | 50     | 528.00     |
| RWS50   | 4 Section Legal Size  | 60     | 630.00     |
| RWS50LT | 4 Section Letter Size | 61     | 630.00     |
| RWS62   | 5 Section Legal Size  | 76     | 672.00     |
| RWS62LT | 5 Section Letter Size | 74     | 672.00     |
| RWS74   | 6 Section Legal Size  | 89     | 725.00     |
| RWS74LT | 6 Section Letter Size | 87     | 725.00     |



Add a work shelf to any Literature Cabinet Rack. Shelf unit is mounted between base cabinet and first sort module, adding 4" to overall height. Includes brackets for wall anchoring to ensure stability.

# Literature Racks

Literature racks are comprised of two 31-1/2" high Mail Master Sort Modules secured to a 6" heavy gauge painted steel base with levelling glides. Each vertical section provides 20 openings adjustable in 1" increments.

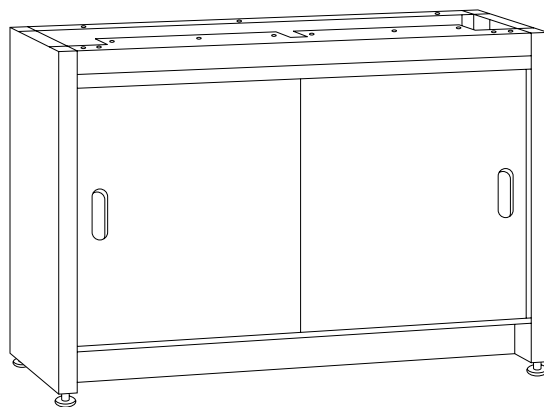


|             | Item #     | Outside Dimensions |           |         | Opening Size (Each Sort) |         |         | # of Vertical Sorts | # of Shelves | # of Openings | Est Lbs. | List Price |
|-------------|------------|--------------------|-----------|---------|--------------------------|---------|---------|---------------------|--------------|---------------|----------|------------|
|             |            | H                  | W         | D       | H                        | W       | D       |                     |              |               |          |            |
| LETTER SIZE | LR6902     | 69"                | 25-3/8"   | 12-1/4" | 3"                       | 11-1/4" | 11-1/4" | 2                   | 36           | 40            | 220      | 1,867.00   |
|             | LR6903     | 69"                | 37-3/4"   | 12-1/4" | 3"                       | 11-1/4" | 11-1/4" | 3                   | 54           | 60            | 306      | 2,413.00   |
|             | LR6904     | 69"                | 50-1/8"   | 12-1/4" | 3"                       | 11-1/4" | 11-1/4" | 4                   | 72           | 80            | 400      | 2,946.00   |
|             | LR6905     | 69"                | 62-3/8"   | 12-1/4" | 3"                       | 11-1/4" | 11-1/4" | 5                   | 90           | 100           | 490      | 3,537.00   |
|             | LR6906     | 69"                | 74-3/4"   | 12-1/4" | 3"                       | 11-1/4" | 11-1/4" | 6                   | 108          | 120           | 580      | 4,107.00   |
|             | LEGAL SIZE | LR6952             | 69"       | 25-3/8" | 16-1/4"                  | 3"      | 11-1/4" | 15-1/2"             | 2            | 36            | 40       | 254        |
| LR6953      |            | 69"                | 37-3/4"   | 16-1/4" | 3"                       | 11-1/4" | 15-1/2" | 3                   | 54           | 60            | 370      | 2,573.00   |
| LR6954      |            | 69"                | 50-1/8"   | 16-1/4" | 3"                       | 11-1/4" | 15-1/2" | 4                   | 72           | 80            | 480      | 3,248.00   |
| LR6955      |            | 69"                | 62-3/8"   | 16-1/4" | 3"                       | 11-1/4" | 15-1/2" | 5                   | 90           | 100           | 590      | 3,840.00   |
| LR6956      |            | 69"                | 74-3/4"   | 16-1/4" | 3"                       | 11-1/4" | 15-1/2" | 6                   | 108          | 120           | 260      | 4,541.00   |
| OVERSIZE    |            | LR6982             | 69"       | 30-1/2" | 16-1/4"                  | 3"      | 13-1/2" | 15-1/2"             | 2            | 36            | 40       | 300        |
|             | LR6983     | 69"                | 45-1/4"   | 16-1/4" | 3"                       | 13-1/2" | 15-1/2" | 3                   | 54           | 60            | 430      | 2,933.00   |
|             | LR6984     | 69"                | 60"       | 16-1/4" | 3"                       | 13-1/2" | 15-1/2" | 4                   | 72           | 80            | 560      | 3,714.00   |
|             | LR6985     | 69"                | 74-13/16" | 16-1/4" | 3"                       | 13-1/2" | 15-1/2" | 5                   | 90           | 100           | 700      | 4,477.00   |

# Literature Cabinet Base and Literature Rack Base

Design your own Literature Cabinet Rack by pairing this 26"H letter or legal depth painted steel base cabinet with sort module(s). Includes intermediate shelf. Does not include work surface.

| Item # | Matching Sort Modules | Weight | List Price |
|--------|-----------------------|--------|------------|
| LCB25  | 2 Section Legal Size  | 70     | 857.00     |
| LCB25T | 2 Section Letter Size | 68     | 857.00     |
| LCB38  | 3 Section Legal Size  | 80     | 938.00     |
| LCB38T | 3 Section Letter Size | 78     | 938.00     |
| LCB50  | 4 Section Legal Size  | 100    | 957.00     |
| LCB50T | 4 Section Letter Size | 98     | 957.00     |
| LCB62  | 5 Section Legal Size  | 120    | 983.00     |
| LCB62T | 5 Section Letter Size | 118    | 983.00     |
| LCB75  | 6 Section Legal Size  | 140    | 1,112.00   |
| LCB75T | 6 Section Letter Size | 138    | 1,112.00   |



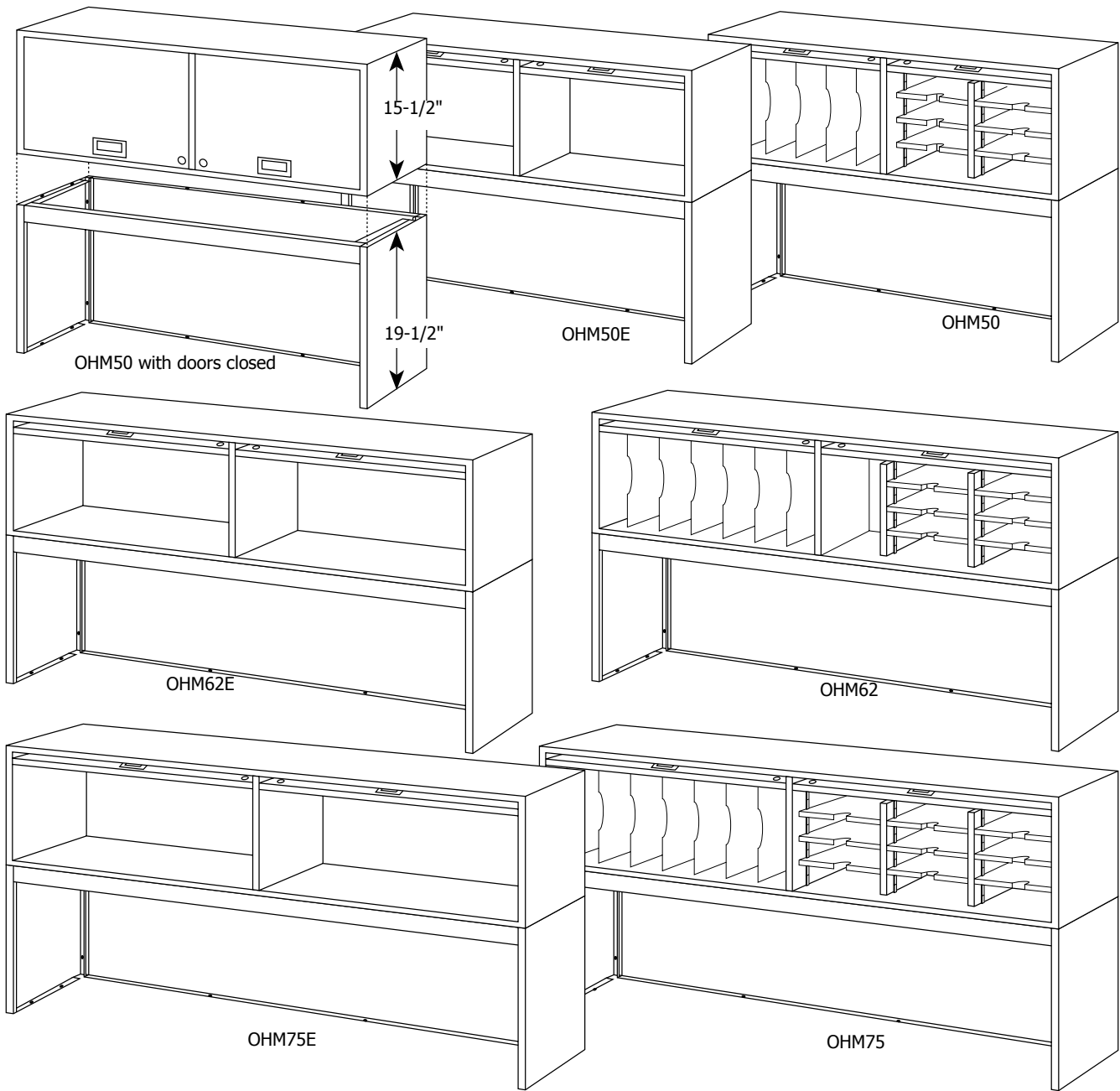
6" high painted steel base may be paired with any matching size sort module(s). For longer legs, order OLRB Leg Kit and specify leg height up to 28". Longer leg kit includes brackets for wall anchoring to ensure stability.



| Item #  | Matching Sort Modules   | Weight | List Price |
|---------|-------------------------|--------|------------|
| LRB25   | 2 Section Legal Size    | 14     | 323.00     |
| LRB25LT | 2 Section Letter Size   | 13     | 323.00     |
| LRB30   | 2 Section Oversize      | 15     | 353.00     |
| LRB38   | 3 Section Legal Size    | 16     | 323.00     |
| LRB38LT | 3 Section Letter Size   | 15     | 323.00     |
| LRB45   | 3 Section Oversize      | 18     | 390.00     |
| LRB50   | 4 Section Legal Size    | 20     | 482.00     |
| LRB50LT | 4 Section Letter Size   | 19     | 482.00     |
| LRB60   | 4 Section Oversize      | 24     | 545.00     |
| LRB62   | 5 Section Legal Size    | 24     | 545.00     |
| LRB62LT | 5 Section Letter Size   | 23     | 545.00     |
| LRB74   | 6 Section Legal Size    | 28     | 570.00     |
| LRB74LT | 6 Section Letter Size   | 27     | 570.00     |
| LRB75   | 5 Section Oversize      | 28     | 570.00     |
| OLRB    | Leg Kit- Specify Length |        | 114.00     |

# Overhead Storage Modules

Overhead modules include two locking retractable doors with fixed center divider. Each size is available complete with adjustable interior shelving as shown, or may be purchased with two empty interior compartments. RMP style riser is 19-1/2" high overall and provides 17" clearance. Upholstered tackboard panels are included, but not shown here.



| Item # | Exterior Dimensions |     |     | Vertical Openings                            |    |     |         | Horizontal Openings |         |         |    | Est Lbs. | List Price |
|--------|---------------------|-----|-----|--|----|-----|---------|---------------------|---------|---------|----|----------|------------|
|        | W                   | D   | H   | #  | W  | D   | H       | #                   | W       | D       | H  |          |            |
| OHM50  | 50-1/8"             | 18" | 35" | 6  | 4" | 15" | 12-1/2" | 8                   | 11-1/4" | 15-1/2" | 3" | 140      | 1,829.00   |
| OHM62  | 62-3/8"             | 18" | 35" | 7  | 4" | 15" | 12-1/2" | 8                   | 11-1/4" | 15-1/2" | 3" | 160      | 2,073.00   |
| OHM75  | 74-3/4"             | 18" | 35" | 8  | 4" | 15" | 12-1/2" | 12                  | 11-1/4" | 15-1/2" | 3" | 195      | 2,315.00   |
| OHM50E | 50-1/8"             | 18" | 35" | 2 Compartments @ 23-7/8"W x 16-1/2" D x 14"H |    |     |         |                     |         |         |    | 100      | 1,405.00   |
| OHM62E | 62-3/8"             | 18" | 35" | 2 Compartments @ 30"W x 16-1/2"D x 14"H      |    |     |         |                     |         |         |    | 126      | 1,545.00   |
| OHM75E | 74-3/4"             | 18" | 35" | 2 Compartments @ 36-1/4"W x 16-1/2"D x 14"H  |    |     |         |                     |         |         |    | 165      | 1,725.00   |

For replacement vertical dividers, order model #D13. For replacement horizontal shelves, order model #LS16.

MailStak™ units are available as charging or non-charging units. Key lock units are keyed differently. Hasp option does not include padlock. Electronic lock is a 4 digit code with master code.

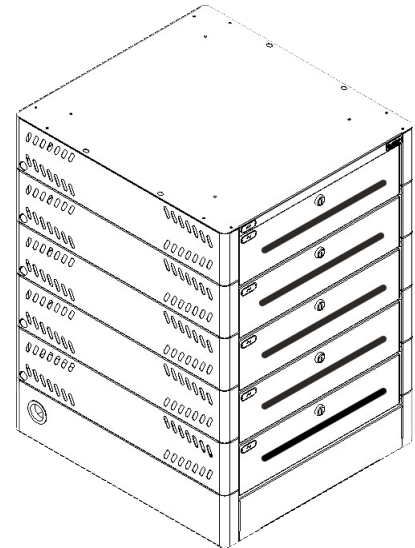
|   |                           |
|---|---------------------------|
| Bay Opening Dimensions:                   | 15-3/8"W x 4"H            |
| Bay Inside Dimensions (with electric):    | 16-3/4"W x 20-7/8"D x 4"H |
| Bay Inside Dimensions (without electric): | 19-3/4"W x 20-7/8"D x 4"H |
| Mail Slot Dimensions:                     | 10"W x 1/4"H              |

## Charging Units

| Item #     | Description              | W   | D   | H       | Est. Lbs. | List Price |
|------------|--------------------------|-----|-----|---------|-----------|------------|
| MAILSE5-K  | 5 High, Key Lock         | 20" | 22" | 28-3/4" | 73        | 973.00     |
| MAILSE5-H  | 5 High, Lock Hasp        | 20" | 22" | 28-3/4" | 73        | 973.00     |
| MAILSE5-C  | 5 High, Electronic Lock  | 20" | 22" | 28-3/4" | 73        | 1,920.00   |
| MAILSE10-K | 10 High, Key Lock        | 20" | 22" | 52-3/8" | 110       | 1,730.00   |
| MAILSE10-H | 10 High, Lock Hasp       | 20" | 22" | 52-3/8" | 110       | 1,730.00   |
| MAILSE10-C | 10 High, Electronic Lock | 20" | 22" | 52-3/8" | 110       | 3,624.00   |

## Non-Charging Units

| Item #    | Description              | W   | D   | H       | Est. Lbs. | List Price |
|-----------|--------------------------|-----|-----|---------|-----------|------------|
| MAILS5-K  | 5 High, Key Lock         | 20" | 22" | 28-3/4" | 68        | 812.00     |
| MAILS5-H  | 5 High, Lock Hasp        | 20" | 22" | 28-3/4" | 68        | 812.00     |
| MAILS5-C  | 5 High, Electronic Lock  | 20" | 22" | 28-3/4" | 68        | 1,757.00   |
| MAILS6-K  | 6 High, Key Lock         | 20" | 22" | 33-1/2" | 75        | 908.00     |
| MAILS6-H  | 6 High, Lock Hasp        | 20" | 22" | 33-1/2" | 75        | 908.00     |
| MAILS6-C  | 6 High, Electronic Lock  | 20" | 22" | 33-1/2" | 75        | 2,045.00   |
| MAILS7-K  | 7 High, Key Lock         | 20" | 22" | 38-1/4" | 82        | 1,060.00   |
| MAILS7-H  | 7 High, Lock Hasp        | 20" | 22" | 38-1/4" | 82        | 1,060.00   |
| MAILS7-C  | 7 High, Electronic Lock  | 20" | 22" | 38-1/4" | 82        | 2,384.00   |
| MAILS8-K  | 8 High, Key Lock         | 20" | 22" | 43"     | 89        | 1,125.00   |
| MAILS8-H  | 8 High, Lock Hasp        | 20" | 22" | 43"     | 89        | 1,125.00   |
| MAILS8-C  | 8 High, Electronic Lock  | 20" | 22" | 43"     | 89        | 2,639.00   |
| MAILS9-K  | 9 High, Key Lock         | 20" | 22" | 47-3/4" | 96        | 1,266.00   |
| MAILS9-H  | 9 High, Lock Hasp        | 20" | 22" | 47-3/4" | 96        | 1,266.00   |
| MAILS9-C  | 9 High, Electronic Lock  | 20" | 22" | 47-3/4" | 96        | 2,968.00   |
| MAILS10-K | 10 High, Key Lock        | 20" | 22" | 52-1/2" | 103       | 1,406.00   |
| MAILS10-H | 10 High, Lock Hasp       | 20" | 22" | 52-1/2" | 103       | 1,406.00   |
| MAILS10-C | 10 High, Electronic Lock | 20" | 22" | 52-1/2" | 103       | 3,299.00   |
| MAILS11-K | 11 High, Key Lock        | 20" | 22" | 57-1/4" | 110       | 1,547.00   |
| MAILS11-H | 11 High, Lock Hasp       | 20" | 22" | 57-1/4" | 110       | 1,547.00   |
| MAILS11-C | 11 High, Electronic Lock | 20" | 22" | 57-1/4" | 110       | 3,629.00   |
| MAILS12-K | 12 High, Key Lock        | 20" | 22" | 62"     | 117       | 1,687.00   |
| MAILS12-H | 12 High, Lock Hasp       | 20" | 22" | 62"     | 117       | 1,687.00   |
| MAILS12-C | 12 High, Electronic Lock | 20" | 22" | 62"     | 117       | 3,958.00   |



## Accessories

| Item #        | Description   | W       | D       | H      | Est. Lbs. | List Price |
|---------------|---------------|---------|---------|--------|-----------|------------|
| add suffix LT | Laminate Top  | 21-5/8" | 22-5/8" | 3/4"   | 10        | 141.00     |
| add suffix DB | Drawer Base   | 20"     | 22"     | 7-3/4" | 55        | 497.00     |
| add suffix AS | Access Shelf* | 14"     | 21"     | -      | 7         | 351.00     |

Access shelf is mandatory in the bottom 5 bays of the unit if that modification is specified. It is **not** available above 5 bays.







**DATUM**<sup>®</sup>  
storage solutions

89 Church Road • P. O. Box 355  
Emigsville, PA 17318-0355  
Factory: 1-800-828-8018  
National: 1-800-FILING-1 • Fax: 1-888-FILING-1 (345-4641)  
[www.datumstorage.com](http://www.datumstorage.com) • [sales@datumstorage.com](mailto:sales@datumstorage.com)