

## FLEX LAB FURNITURE & EQUIPMENT

Real-World Programmable Robots

Mobile Work Stations

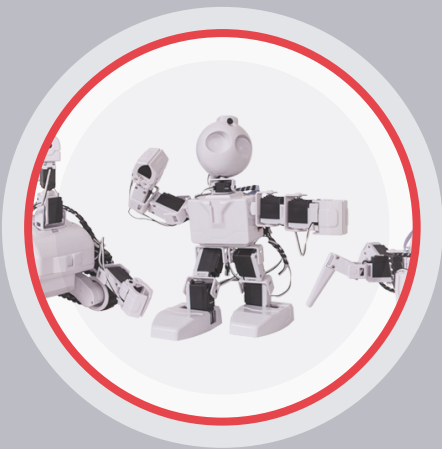
Adjustable Steel Framed Tables

Phenolic Resin Work Surfaces

Storage Options & Shelving Accessories

# FLEX LABS

ROBOTICS & ELECTRICAL ENGINEERING



# FLEXLINE Table

## Features

WELDED STEEL FRAME

EPOXY POWDER COAT FINISH ON BASE

UP TO 8 ELECTRIC PORTS // 120V DUPLEXES / GFI

4" HEAVY DUTY CASTERS

UNDER ACCES THROUGH PANEL

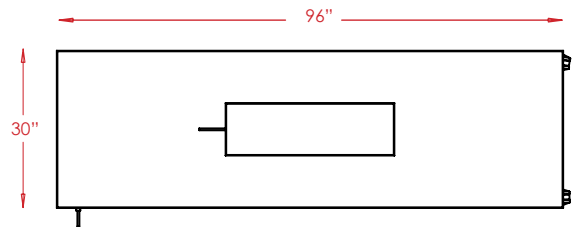
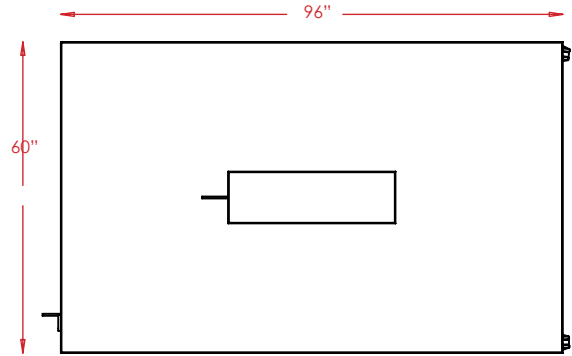
CENTER CORE SERVICE UMBILICAL

TABLETOP // L96" X W30"/60"

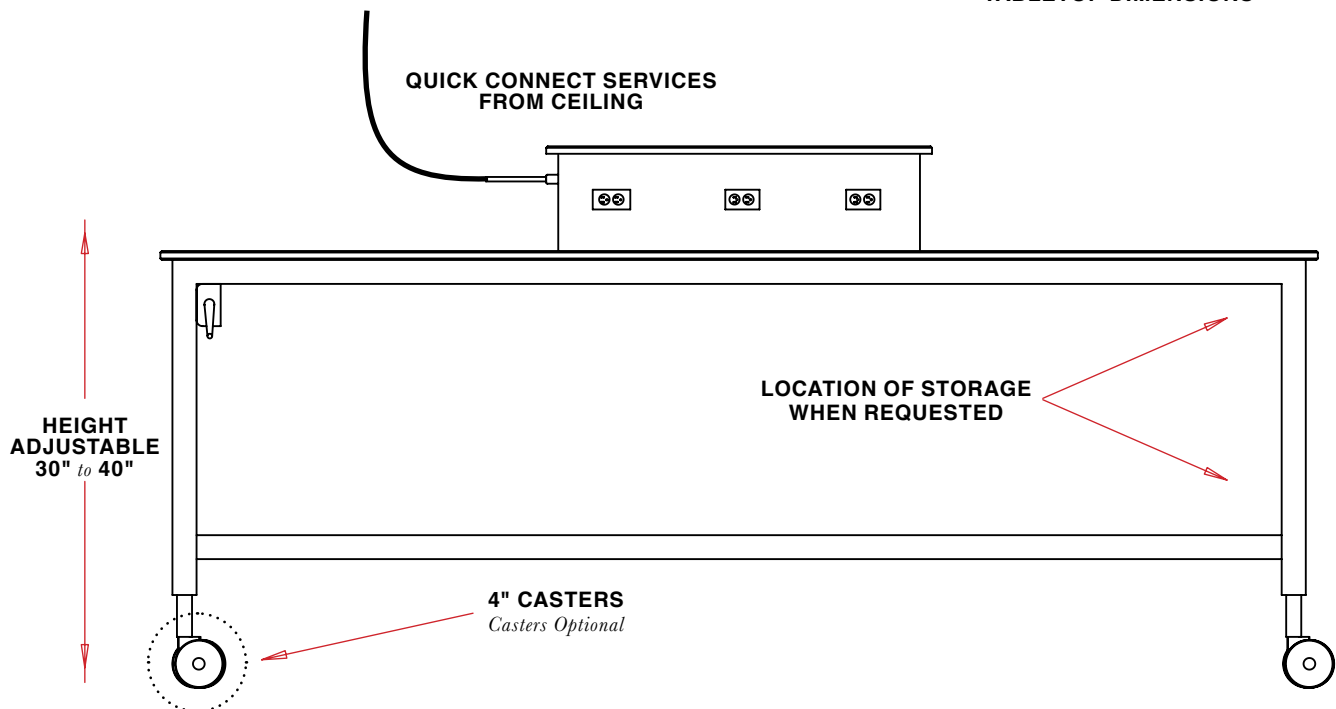
NON-CONDUCTIVE PHENOLIC RESIN WORK SURFACE

ADJUSTABLE HEIGHT // 30" TO 40"

## Dimensions



TABLETOP DIMENSIONS



MOBILE LAB TABLE  
*Shown with 4" Casters*



## Accessories & Storage

FOOTREST // BOLT TO FRAME OR STAND ALONE

SHELVING // BACKSTOP OR SLOTTED DIVIDERS

BOLT ON MONITOR ARM

UNDER SHELF TASK LIGHTING

OVERHEAD LIGHTS // FLUORESCENT OR LED

RAIL BINS / SHELVING / CABINETS / DRAWERS

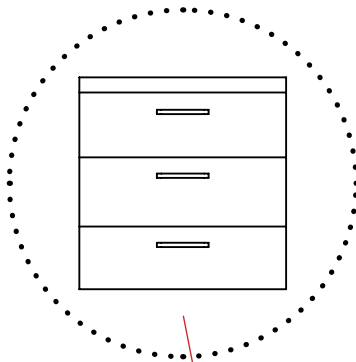
VIBRATION CONTROL LEVELERS

LEVELING FEET WITH FLOOR MOUNTABLE BRACKET

POWER STRIPS 15 OR 20 AMP

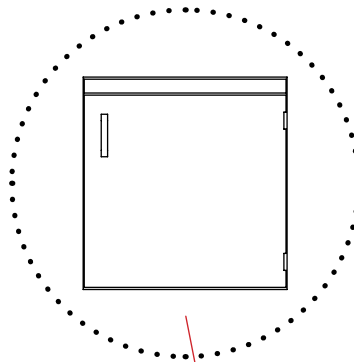
### 3 - DRAWER CABINET

*Suspended Storage Option*



### 1 - DOOR CUPBOARD

*Suspended Storage Option*



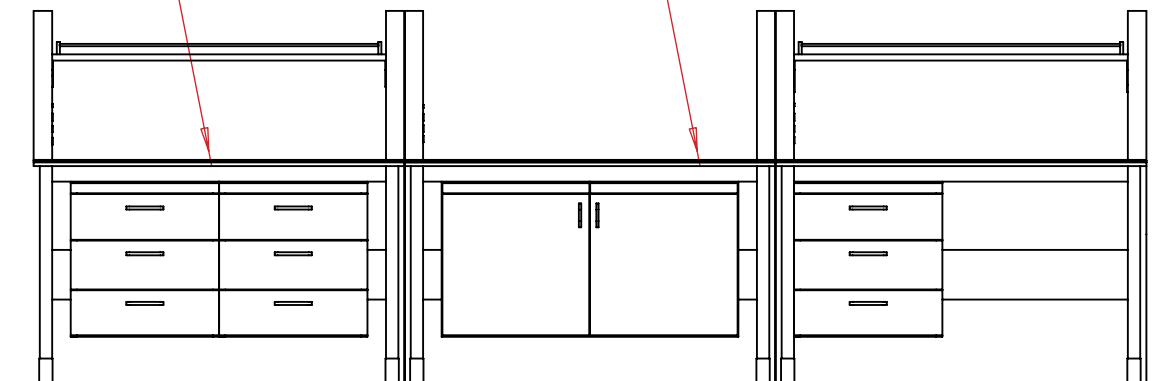
### Additional Options

#### SHELVING

*Suspended or Upright*

#### COMBINATION STORAGE

*Drawer, Shelving & Cabinet Combo*

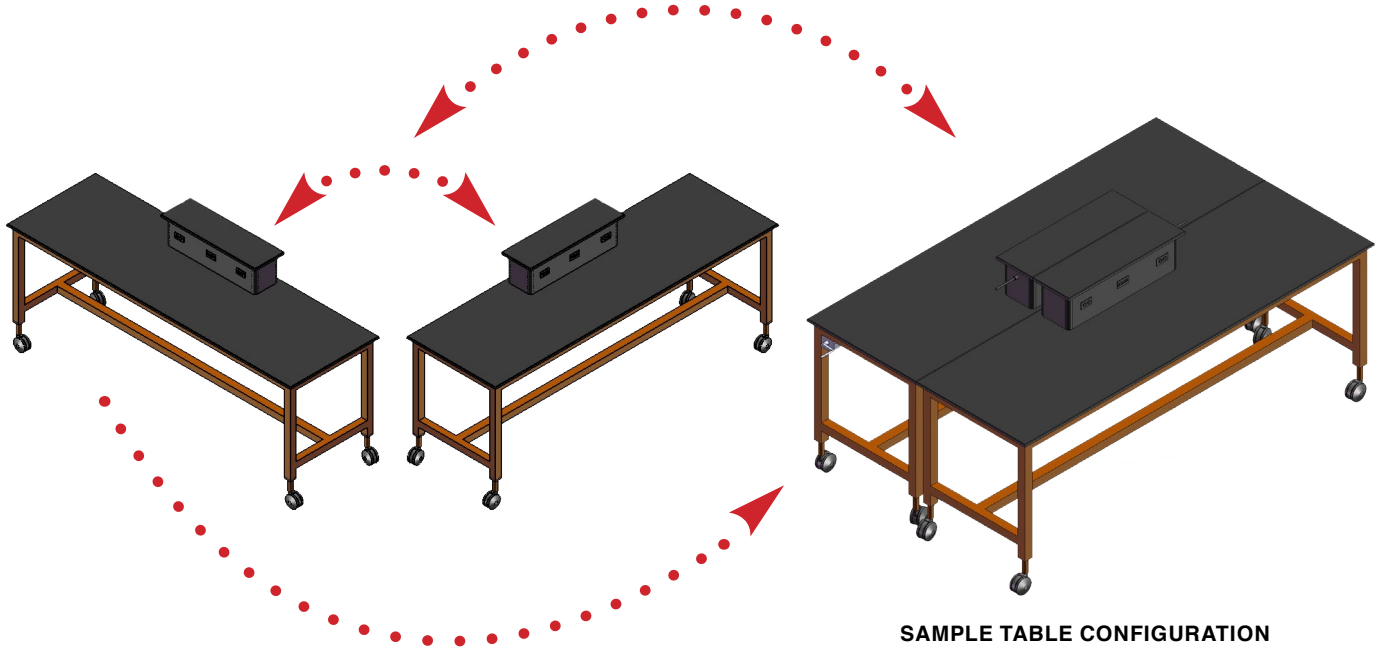


*\* Frames Available in All RAL Colors*

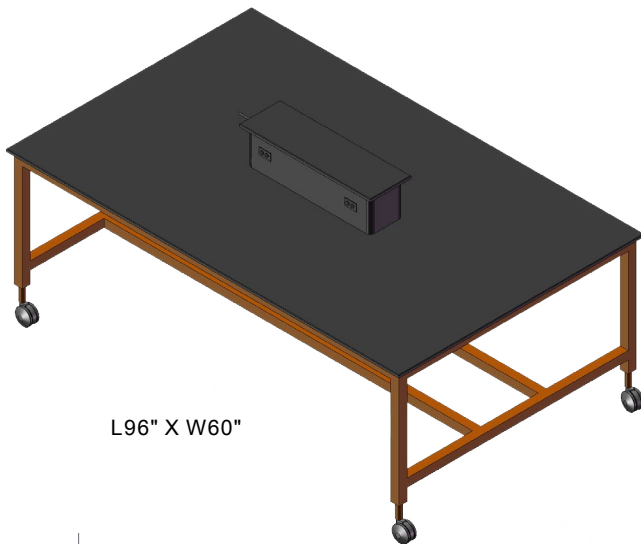


# FLEXLINE Table

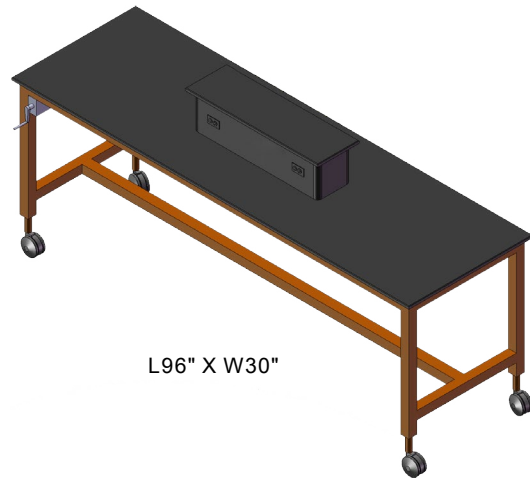
## Mobile Configuration & Colors



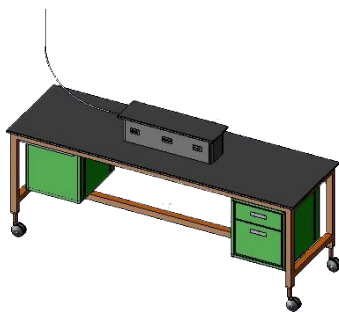
**SAMPLE TABLE CONFIGURATION**  
*2 - 30" Tables Pushed Together*



L96" X W60"



L96" X W30"

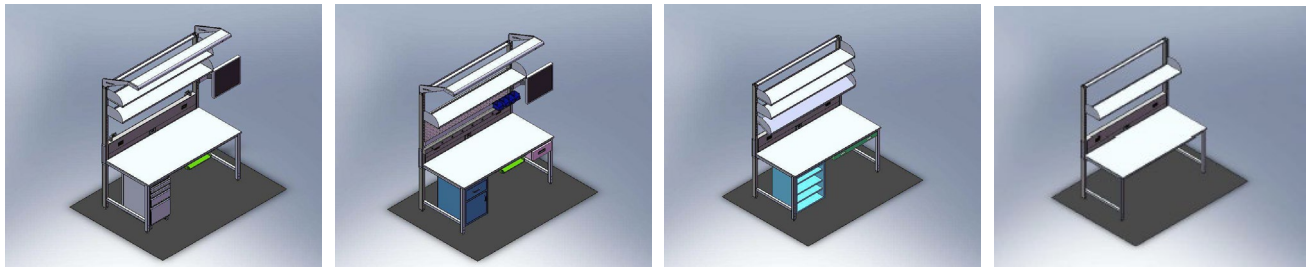


**30" MOBILE TABLE**

*Shown with Quick Connect Services from Ceiling*

*\* Frames Available in All RAL Colors*





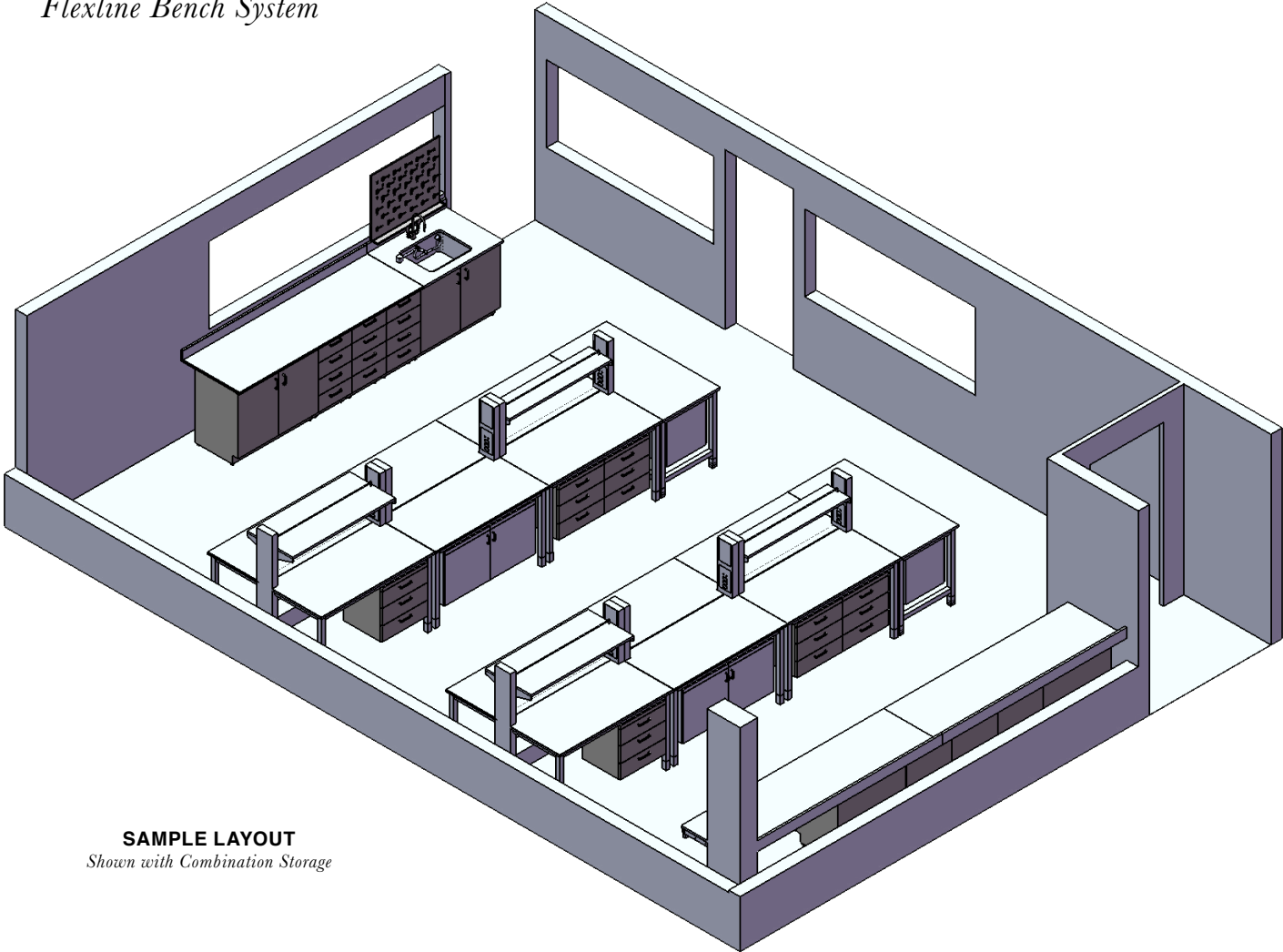
CUPBOARD

DRAWERS

SHELVING

STANDARD

*Flexline Bench System*

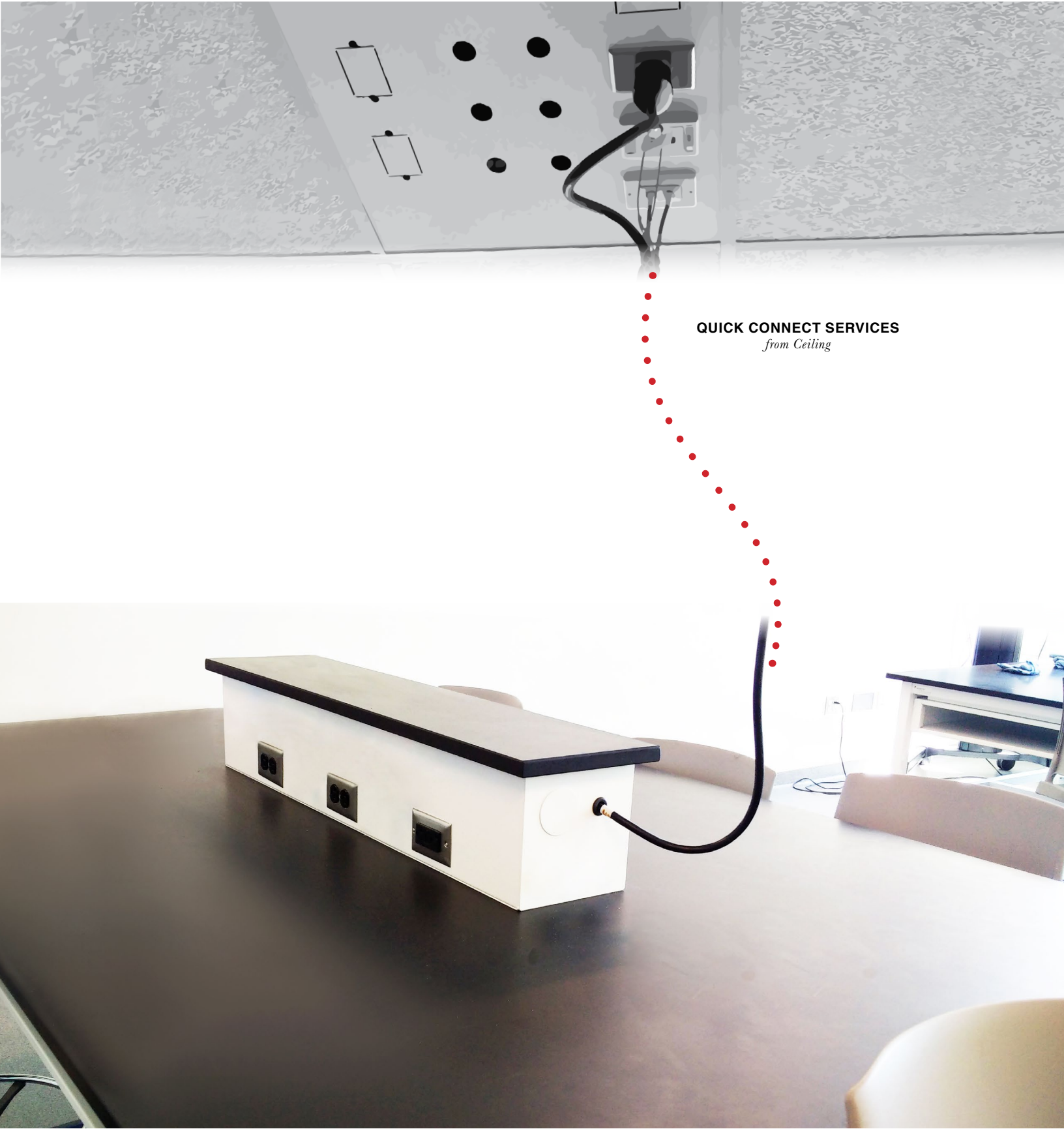


**SAMPLE LAYOUT**  
*Shown with Combination Storage*



# FLEXLINE Table





**QUICK CONNECT SERVICES**  
*from Ceiling*



# FLEXLINE Table





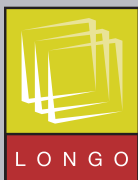




*Sheldon Distributed by Longo Labs*



[WWW.LONGOLABS.COM](http://WWW.LONGOLABS.COM)



800.635.6646  
201.825.1500

[info@longoinc.com](mailto:info@longoinc.com)

*For over 4 decades, Longo has been planning, designing, and creating state-of-the-art workspace solutions for school science labs and commercial laboratories. At Longo, we commit ourselves to a level of unsurpassed service which ensures that your laboratory environment will meet all necessary guidelines. Whether it's research specifications, Federal ADA compliancy, important regulatory requirements or multi-user needs, we take our partnership role very seriously. All laboratories are complex, sophisticated and expensive workspaces.*

*From educational science labs to forensics facilities, you can count on us. Longo is your solution for a professionally designed laboratory with optimal safety, precise installation and maximum function. Let's create a place for you, where major discoveries and breakthroughs are made.*