



Humanscale Pricing and Specification Guide

U.S. Pricing Effective January 1, 2017



Shipping Guidelines & Quick Ship Program

In an effort to enhance our service to our customers, we are revising our lead times. The guide below offers a simple way to determine the lead time of any given configuration of our seating options. By standardizing our lead times, we are able to deliver products swiftly to our customers and offer certainty about the turnaround time for their orders.

All configurations follow fabric lead times. If two textiles are selected that have different lead times, the lead time for the order will be dictated by the textile with the longest lead time. For example, if you select Pinstripe mesh and Ginkgo, the lead time for your chair(s) will be six weeks.

LEAD TIME	FABRIC	MAXIMUM ORDER QUANTITY*
4 weeks	Wave Vellum Monofilament Stripe Pinstripe Dash Corde 4	150 chairs
6 weeks	Silver Check Lotus Squiggle Ginkgo All Leathers Bridget Stripe Catena Sensuede	100 chairs

*For any amount over the maximum, please contact your local rep to confirm the lead times.



Quick Ship Program for Seating

FREEDOM QUICK SHIP SKUs

Adjustable Duron Arms, Graphite Frame, Standard Seat Pan, Standard 5" Cylinder, Standard 3" Casters for carpeted floors, Standard Foams and Plastics, Standard Base, Individually Boxed or Blanket Wrapped

Freedom Headrest - \$1,389

F211GV101	Vellum Black
F211GV102	Vellum Graphite
F211GV114	Vellum Light Grey
F211GCF10	Corde 4 Black
F211GCF12	Corde 4 Graphite
F211GCF56	Corde 4 Medium Grey

Freedom Task - \$1,180

F111GV101	Vellum Black
F111GV102	Vellum Graphite
F111GV114	Vellum Light Grey
F111GCF10	Corde 4 Black
F111GCF12	Corde 4 Graphite
F111GCF56	Corde 4 Medium Grey

Freedom Saddle - \$344

F300GV101	Vellum Black
F300GV102	Vellum Graphite
F300GV114	Vellum Light Grey
F300GCF10	Corde 4 Black
F300GCF12	Corde 4 Graphite
F300GCF56	Corde 4 Medium Grey

Freedom Pony Saddle - \$314

F400GV101	Vellum Black
F400GV102	Vellum Graphite
F400GV114	Vellum Light Grey
F400GCF10	Corde 4 Black
F400WCF12	Corde 4 Graphite
F400GCF56	Corde 4 Medium Grey

DIFFRIENT SMART QUICK SHIP SKUs

Adjustable Duron Arms, Black Frame with Black Trim, Standard Seat Pan, Standard 5" Cylinder, Standard Casters for Carpeted Floors, Standard Foams and Plastics, Individually Boxed or Blanket Wrapped

Diffrient Smart - \$1,310

S413BM10V101	Monofilament Stripe Black Back, Vellum Black Seat
S413BM11V101	Monofilament Stripe Carbon Back, Vellum Black Seat
S413BM14V101	Monofilament Stripe Platinum Back, Vellum Black Seat
S413BM10V102	Monofilament Stripe Black Back, Vellum Graphite Seat
S413BM11V102	Monofilament Stripe Carbon Back, Vellum Graphite Seat
S413BM14V102	Monofilament Stripe Platinum Back, Vellum Graphite Seat
S413BM10V114	Monofilament Stripe Black Back, Vellum Light Grey Seat
S413BM11V114	Monofilament Stripe Carbon Back, Vellum Light Grey Seat
S413BM14V114	Monofilament Stripe Platinum Back, Vellum Light Grey Seat
S413BM10CF10	Monofilament Stripe Black Back, Corde 4 Black Seat
S413BM11CF10	Monofilament Stripe Carbon Back, Corde 4 Black Seat
S413BM14CF10	Monofilament Stripe Platinum Back, Corde 4 Black Seat
S413BM10CF12	Monofilament Stripe Black Back, Corde 4 Graphite Seat
S413BM11CF12	Monofilament Stripe Carbon Back, Corde 4 Graphite Seat
S413BM14CF12	Monofilament Stripe Platinum Back, Corde 4 Graphite Seat
S413BM10CF56	Monofilament Stripe Black Back, Corde 4 Medium Grey Seat
S413BM11CF56	Monofilament Stripe Carbon Back, Corde 4 Medium Grey Seat
S413BM14CF56	Monofilament Stripe Platinum Back, Corde 4 Medium Grey Seat

Quick Ship Program for Seating

LIBERTY QUICK SHIP SKUs

Adjustable Duron Arms, Black Frame with Black Trim, Standard Seat Pan, Standard 5" Cylinder, Standard 3" Casters for Carpeted Floors, Standard Foams and Plastics, Standard Base, Individually Boxed or Blanket Wrapped

Liberty Task - \$1,197	
L111BM10V101	Monofilament Stripe Black Back, Vellum Black Seat
L111BM11V101	Monofilament Stripe Carbon Back, Vellum Black Seat
L111BM14V101	Monofilament Stripe Platinum Back, Vellum Black Seat
L111BM10V102	Monofilament Stripe Black Back, Vellum Graphite Seat
L111BM11V102	Monofilament Stripe Carbon Back, Vellum Graphite Seat
L111BM14V102	Monofilament Stripe Platinum Back, Vellum Graphite Seat
L111BM10V114	Monofilament Stripe Black Back, Vellum Light Grey Seat
L111BM11V114	Monofilament Stripe Carbon Back, Vellum Light Grey Seat
L111BM14V114	Monofilament Stripe Platinum Back, Vellum Light Grey Seat
L111BM10CF10	Monofilament Stripe Black Back, Corde 4 Black Seat
L111BM11CF10	Monofilament Stripe Carbon Back, Corde 4 Black Seat
L111BM14CF10	Monofilament Stripe Platinum Back, Corde 4 Black Seat
L111BM10CF12	Monofilament Stripe Black Back, Corde 4 Graphite Seat
L111BM11CF12	Monofilament Stripe Carbon Back, Corde 4 Graphite Seat
L111BM14CF12	Monofilament Stripe Platinum Back, Corde 4 Graphite Seat
L111BM10CF56	Monofilament Stripe Black Back, Corde 4 Medium Grey Seat
L111BM11CF56	Monofilament Stripe Carbon Back, Corde 4 Medium Grey Seat
L111BM14CF56	Monofilament Stripe Platinum Back, Corde 4 Medium Grey Seat

DIFFRIENT WORLD QUICK SHIP SKUs

Height-Adjustable Duron Arms, Black Frame, Standard 5" Cylinder, Standard Hard Casters, Standard Base, Individually Boxed or Blanket Wrapped

Diffrient World - \$1,052	
W11BM10V101	Monofilament Stripe Black Back, Vellum Black Seat
W11BM11V101	Monofilament Stripe Carbon Back, Vellum Black Seat
W11BM14V101	Monofilament Stripe Platinum Back, Vellum Black Seat
W11BM10V102	Monofilament Stripe Black Back, Vellum Graphite Seat
W11BM11V102	Monofilament Stripe Carbon Back, Vellum Graphite Seat
W11BM14V102	Monofilament Stripe Platinum Back, Vellum Graphite Seat
W11BM10V114	Monofilament Stripe Black Back, Vellum Light Grey Seat
W11BM11V114	Monofilament Stripe Carbon Back, Vellum Light Grey Seat
W11BM14V114	Monofilament Stripe Platinum Back, Vellum Light Grey Seat
W11BM10CF10	Monofilament Stripe Black Back, Corde 4 Black Seat
W11BM11CF10	Monofilament Stripe Carbon Back, Corde 4 Black Seat
W11BM14CF10	Monofilament Stripe Platinum Back, Corde 4 Black Seat
W11BM10CF12	Monofilament Stripe Black Back, Corde 4 Graphite Seat
W11BM11CF12	Monofilament Stripe Carbon Back, Corde 4 Graphite Seat
W11BM14CF12	Monofilament Stripe Platinum Back, Corde 4 Graphite Seat
W11BM10CF56	Monofilament Stripe Black Back, Corde 4 Medium Grey Seat
W11BM11CF56	Monofilament Stripe Carbon Back, Corde 4 Medium Grey Seat
W11BM14CF56	Monofilament Stripe Platinum Back, Corde 4 Medium Grey Seat

Building Your Product Code Using This Price Guide



W 1 6 W M 14 W 507 - - - -

Monofilament Stripe Mesh in Platinum chosen from page 44

Wave Textile in Navy chosen from page 42

COMPONENT	CODE	BASE MODEL PRICE	\$806
LINE	(W)	Diffrient World Chair	-
STYLE	(1)	Conference/Task Chair	-
ARMRESTS	0	Armless	-
	(6)	Fixed Duron Arms	(\$82)
	7	Fixed Duron Arms with Matching Textile - Available with textile covered seat only	\$108
	1	Adjustable Duron Arms	\$174
	2	Adjustable Duron Arms with Matching Textile - Available with textile covered seat only	\$199
FRAME COLOR	B	Black	-
	(W)	White	(\$20)
	V	Gray	-
BACKREST MESH STYLE	(M)	See page 44 and textile Samples for mesh color options and codes	-
BACKREST MESH COLOR	(14)	See page 44 and textile Samples for mesh color options and codes	-
SEAT MESH/ TEXTILE STYLE		Mesh (A,N,J)	-
	(W)	Textile Grade 1 (W,V,K,CF)	(\$72)
		Textile Grade 2 (F,H)	\$113
		Textile Grade 3 (D)	\$153
SEAT MESH/ TEXTILE COLOR	(507)	See page 44 and textile samples for mesh color options and codes	-
CYLINDER	(-)	Standard 5"	(-)
	A	3" Return to Height Cylinder	\$43
	L	Low 3.75"	\$27
	F	High 8" w/18" Foot Ring	\$113
	R	High 8" Cylinder with 21" Foot Ring	\$156
	X	Extra-high 10" Cylinder w/ 18" Foot Ring	\$113
	Z	Extra-high 10" Cylinder w/ 21" Foot Ring	\$156
CASTERS/GLIDES	(-)	Standard Hard Casters	(-)
	S	Soft Casters	\$17
	G	Glides	\$22
BASE CAPS	(-)	Standard	(-)
SHIPPING	(-)	Individually Boxed	(-)
	B	Blanket Wrapped - See Terms and Conditions for minimum order requirements	-

Requires glides

Total: **\$980**



freedom[®]

With Freedom, the knobs, levers and locks of current-generation task chairs have been replaced by intelligent mechanisms that automatically support the body as it moves from task to task. By minimizing the need for manual controls, Freedom maximizes natural, spontaneous movement, which is essential for a healthy body and a comfortable day's work.

Freedom's many features can be enjoyed with virtually no effort.



freedom® Features & Characteristics



DYNAMIC HEADREST

- Position-sensitive headrest moves into place when you recline and out of the way when you sit upright
- 5" vertical adjustment to fit all users
- Moves in the natural arc of head/neck for perfect support through range of recline
- Contoured to cradle the head and neck in comfort

SELF-ADJUSTING RECLINE

- Intelligent counter-balance recline mechanism automatically provides the right amount of support through the full range of recline motion, regardless of user size and weight
- No tension springs to adjust
- No recline locks to set / release
- During recline, the angle between torso and legs opens up for better body function
- User maintains near-constant eye level during recline

PIVOTING BACKREST

- Extra motion of the backrest during recline automatically adjusts to the changing needs of the spine
- Provides up to 1" additional lumbar support when needed

SYNCHRONOUS ARMRESTS

- Revolutionary armrests move in tandem to eliminate uneven arm positioning
- Natural lift and release action for immediate repositioning without buttons or locks
- 6" range of vertical motion to accommodate all users and tasks
- Can be positioned below thigh level for close to table or desk work
- Attached to backrest so arms stay in same relation to body during recline
- Duro arm pad for durability and comfort

CUSHIONS

- Carefully sculpted to match body contours
- Increased contact area reduces pressure points
- Modular for easy replacement
- Molded polyurethane foam cushions
- Optional arm pads and seat have top layer of Technogel®
- Upholstered with a variety of materials customized to the unique form of the cushion

GEL SEAT CUSHION

- Non-degradable, non-compressible Technogel® layer on top of foam core
- Provides maximum pressure distribution
- Offers unmatched, long-term comfort

CYLINDER OPTIONS

- Provides seat height range that accommodates 95% of the population
- Low cylinder for small users
- Tall cylinder for very tall users
- High cylinder with foot ring
- Extra-high cylinder with foot ring (Saddle seat only)

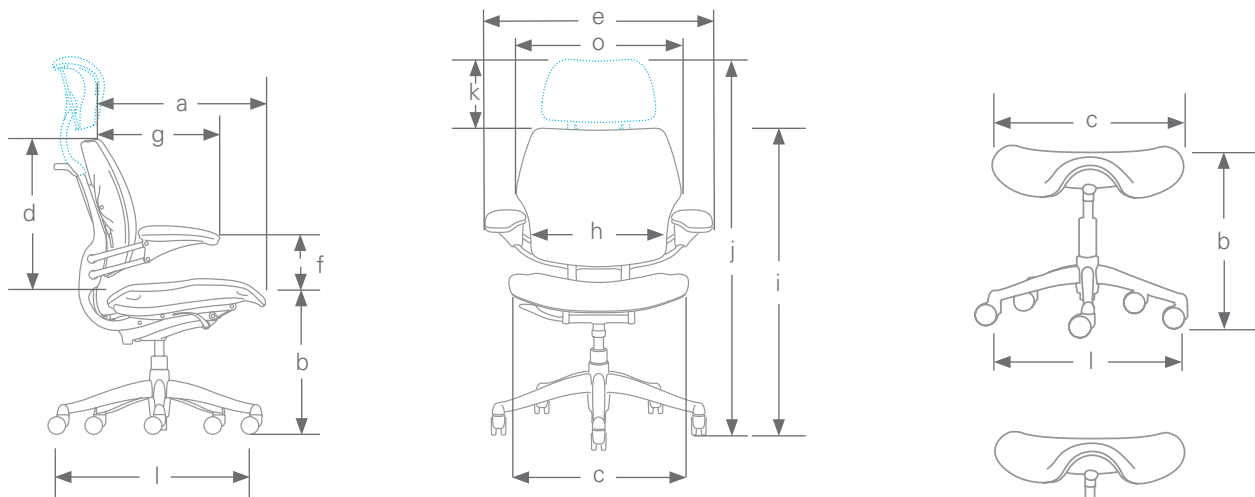
External Frame and OPTIONAL Base UPGRADE

- Die-cast aluminum with fused plastic coating or polished aluminum finish

CASTER OPTIONS

- 2.5" soft double-wheel casters for hard floors
- Non-rolling glides for fixed-location use
- 2.5" locking casters

freedom[®] Specifications



CODE	DESCRIPTION	MEASUREMENT
a	Seat Depth (from face of lumbar to front of seat)	17.40" - 19.85"
b	Seat Height (floor to compressed front center of seat cushion)	16.125" - 20.25" standard cylinder chair 17" - 22.35" tall-cylinder chair 20.25" - 27.75" high-cylinder chair 23.25" - 33.125" extra high-cylinder chair 17.5" - 22.25" return to height cylinder chair
	Headrest and Task	17.3" - 22.1" standard cylinder stool 16.7" - 20.2" low-cylinder stool 18.2" - 23.2" tall-cylinder stool 19.9" - 27.5" high cylinder stool 22.4" - 32.5" extra-high cylinder with glides
c	Seat Width	21" chair 22" Saddle seat 16" Pony Saddle seat
d	Backrest Height (from seat cushion to top of backrest)	18" - 20.9" 3" in 0.25" increments
e	Chair Width	26.75" with arms 21.1" without arms
f	Armrest Height (compressed seat cushion to top of armrest)	3.75" - 9.6"
g	Armrest Length (from face of lumbar to front of armrest)	8.8"
h	Distance between armrests (front inside edge)	19" standard 18.25" - 21.25" advanced
i	Height, Task Chair	34.625" - 41.775" standard cylinder 36.125" - 44.025" tall-cylinder 39.0" - 49.4" high-cylinder 35.25" - 40.775" 3" return to height cylinder 35.5" - 40.775" 5" return to height cylinder
j	Height, Task Chair with Headrest	42.375" - 54.275" standard cylinder 43.875" - 56.525" tall-cylinder 46.75" - 61.9" high-cylinder 43.0" - 53.275" 3" return to height cylinder 43.0" - 53.275" 5" return to height cylinder
k	Headrest Height Adjustment Range	5"
l	Base Diameter	25" chair, high or extra-high Saddle / Pony 22" standard Saddle / Pony
m	Foot Ring Diameter	18" or 21"
n	Foot Ring Height Adjustment (from floor)	6" - 11"
o	Backrest Width	21"

SCOPE OF USERS
<ul style="list-style-type: none"> Standard chair fits more than 95% of the office population <ul style="list-style-type: none"> - 5'0" Woman to 6'4" Man - 100 to 300 lbs. Users outside the standard range can be accommodated by <ul style="list-style-type: none"> - Low or Tall Cylinder - Advanced Armrests
WEIGHT
<ul style="list-style-type: none"> 38 lbs. Headrest with arms 34 lbs. Headrest without arms 34 lbs. Task with arms 30 lbs. Task without arms 14 lbs. Saddle 20 lbs. Saddle with Foot Ring 14 lbs. Pony Saddle 18 lbs. Pony Saddle with Foot Ring
BACKREST RECLINE
<ul style="list-style-type: none"> 22° recline plus 7° backrest tilt
REFERENCE ANGLE BETWEEN SEAT AND BACK
<ul style="list-style-type: none"> 100° to 129°
HEADREST RADIAL MOTION
<ul style="list-style-type: none"> 30°

freedom® Quick Ship Program

QUICK SHIP SKUs

Adjustable Duron Arms, Graphite Frame, Standard Seat Pan, Standard 5" Cylinder, Standard 3" Casters for carpeted floors, Standard Foams and Plastics, Standard Base, Individually Boxed or Blanket Wrapped

Freedom Headrest - \$1,389

F211GV101	Vellum Black
F211GV102	Vellum Graphite
F211GV114	Vellum Light Grey
F211GCF10	Corde 4 Black
F211GCF12	Corde 4 Graphite
F211GCF56	Corde 4 Medium Grey

Freedom Task - \$1,180

F111GV101	Vellum Black
F111GV102	Vellum Graphite
F111GV114	Vellum Light Grey
F111GCF10	Corde 4 Black
F111GCF12	Corde 4 Graphite
F111GCF56	Corde 4 Medium Grey

Freedom Saddle - \$344

F300GV101	Vellum Black
F300GV102	Vellum Graphite
F300GV114	Vellum Light Grey
F300GCF10	Corde 4 Black
F300GCF12	Corde 4 Graphite
F300GCF56	Corde 4 Medium Grey

Freedom Pony Saddle - \$314

F400GV101	Vellum Black
F400GV102	Vellum Graphite
F400GV114	Vellum Light Grey
F400GCF10	Corde 4 Black
F400WCF12	Corde 4 Graphite
F400GCF56	Corde 4 Medium Grey

freedom® Build Your Product Code

			Freedom Task	Freedom Headrest	Freedom Saddle	Freedom Pony
			F11	F21	F30	F40
COMPONENT	CODE	BASE MODEL PRICE	\$1,049	\$1,258	\$333	\$303
ARMREST	0	Armless (Required option for Saddle/Pony)	—	—	—	—
	1	Standard Duron Arms	\$110	\$110	N/A	N/A
	2	Standard Duron Arms with Matching Textile	\$135	\$135	N/A	N/A
	3	Advanced Duron Arms	\$195	\$195	N/A	N/A
	4	Advanced Duron Arms with Matching Textile	\$220	\$220	N/A	N/A
	X	Standard Duron Gel Arms	\$140	\$140	N/A	N/A
	M	Standard Gel Arms with Matching Textile	\$165	\$165	N/A	N/A
	D	Advanced Duron Gel Arms	\$225	\$225	N/A	N/A
	C	Advanced Gel Arms with Matching Textile	\$250	\$250	N/A	N/A
FRAME	G	Graphite	—	—	—	—
	T	Titanium	—	—	—	—
	A	Polished Aluminum with Graphite	\$240	\$260	\$139	\$139
	M	Polished Aluminum with Titanium	\$240	\$260	\$139	\$139
		<i>Comes standard with polished aluminum base</i>				
TEXTILE		Textile Grade 1 (W,V,K,CF)	\$21	\$21	\$11	\$11
		Textile Grade 2 (F,H)	\$78	\$89	\$42	\$42
		Textile Grade 3 (D)	\$182	\$198	\$99	\$99
		Leather Grade 0 (Z)	\$586	\$682	\$177	\$177
		Leather Grade 1 (Q)	\$649	\$756	\$432	\$432
		Leather Grade 2	N/A	N/A	N/A	N/A
		Leather Grade 3 (R)	\$1,376	\$1,757	\$707	\$707
TEXTILE COLOR		See pages 42-43 for color options				
LEATHER STITCHING		If leather is selected, see page 44 for stitch options				
		No leather selected	—	—	—	—
GEL SEAT	-	Standard Foam Seat Pan	—	—	—	—
	G	Gel Seat - <i>Not compatible with leather textiles</i>	\$80	\$80	N/A	N/A
CYLINDER	-	Standard 5"	—	—	—	—
	A	3" Return to Height Cylinder	\$44	\$44	\$44	\$44
	L	Low 3.75"	N/A	N/A	\$28	\$28
	T	Tall 5"	\$39	\$39	\$39	\$39
	H	High 8"	N/A	N/A	\$39	\$39
	F	High 8" w/18" Foot Ring	\$115	\$115	\$115	\$115
	R	High 8" w/21" Foot Ring	\$159	\$159	\$159	\$159
	X	Extra-High 10" w/18" Foot Ring	N/A	N/A	\$115	\$115
	Z	Extra-High 10" w/21" Foot Ring	N/A	N/A	\$159	\$159
		<i>Only available on Saddle Seat with Glides or Locking Casters</i>				
CASTER TYPE	-	Standard Hard Casters	—	—	—	—
	G	Glides	\$22	\$22	\$22	\$22
	S	Soft Casters	\$23	\$23	\$23	\$23
	K	Automatic Locking Casters	\$117	\$117	\$117	\$117
FIRE PROOFING	-	Standard Foams and Plastics	—	—	—	—
	C	CAL 133-Approved Foams and Plastics	\$62	\$78	\$35	\$35
BASE UPGRADE <i>Standard Aluminum Base should be selected with A and M frame colors.</i>	-	Standard Composite Base to match Graphite or Titanium frame color	—	—	—	—
	-	Standard Aluminum Base to match frame color	—	—	—	—
	M	Powder-coated Aluminum Base to match Graphite or Titanium frame color	\$48	\$48	N/A	N/A
	A	Polished Aluminum Base on Graphite or Titanium Frame	\$139	\$139	N/A	N/A
SHIPPING	-	Individually Boxed	—	—	—	—
	B	Blanket Wrapped - <i>See Terms and Conditions for minimum order requirements</i>	—	—	—	—



freedom® Options & Prices

REPLACEMENT PARTS	Code	CAL133 Available	Price	Textile 1	Textile 2	Textile 3	Leather 0	Leather 1	Leather 2	Leather 3
-------------------	------	------------------	-------	-----------	-----------	-----------	-----------	-----------	-----------	-----------

Seat Cushions										
Seat (Foam)	S 12224F	C		\$141	\$167	\$219	\$333	\$578	N/A	\$869
Seat (Gel)	S 1222G	C		\$219	\$245	N/A	N/A	N/A	N/A	N/A
Back	B 12224F	C		\$136	\$162	\$214	\$328	\$572	N/A	\$864
Saddle Seat	L 1222	C		\$151	\$203	\$250	\$359	\$609	N/A	\$905
Pony Saddle	LP 1222	C		\$136	\$188	\$234	\$344	\$593	N/A	\$890
Headrest	H 1222F	C		\$120	\$130	\$151	\$177	\$250	N/A	\$396

Armrest Cushions										
Standard Duron Arm Pads	FA			\$52	N/A	N/A	N/A	N/A	N/A	N/A
Advanced Duron Arm Pads	FV			\$52	N/A	N/A	N/A	N/A	N/A	N/A
Standard Duron Gel Arm Pads	FX			\$84	N/A	N/A	N/A	N/A	N/A	N/A
Advanced Duron Gel Arm Pads	FD			\$84	N/A	N/A	N/A	N/A	N/A	N/A
Standard Duron Arm Pads with Matching Textile (Pair)	FAM 1222	C		\$73	\$94	\$94	\$104	\$125	N/A	\$198
Advanced Duron Arm Pads with Matching Textile (Pair)	FVM 1222	C		\$73	\$94	\$94	\$104	\$125	N/A	\$198
Standard Gel Arm Pads with Matching Textile (Pair)	FXM 1222	C		\$104	\$125	\$125	\$136	\$156	N/A	\$229
Advanced Gel Arm Pads with Matching Textile (Pair)	FDM 1222	C		\$104	\$125	\$125	\$136	\$156	N/A	\$229

RETROFIT PARTS	Code	CAL133 Available	Price	Textile 1	Textile 2	Textile 3	Leather 0	Leather 1	Leather 2	Leather 3
Advanced Duron Arms	KDA3		\$193	N/A	N/A	N/A	N/A	N/A	N/A	N/A
Advanced Duron Gel Arms	KA3		\$224	N/A	N/A	N/A	N/A	N/A	N/A	N/A
Advanced Duron Arms with Matching Textile	KDAM31222	C		\$214	\$224	\$224	\$234	\$260	N/A	\$344
Advanced Gel Arms with Matching Textile	KAM31222	C		\$245	\$255	\$255	\$266	\$292	N/A	\$375
Freedom Task Chair Coat Hanger Kit	FREEDOMTASK COAT HANGER KIT		\$75							
Freedom Headrest Chair Coat Hanger Kit	FREEDOM HEADREST COAT HANGER KIT		\$65							

Any code containing a number refers to the component or textile that must be selected to order the replacement or retrofit part.

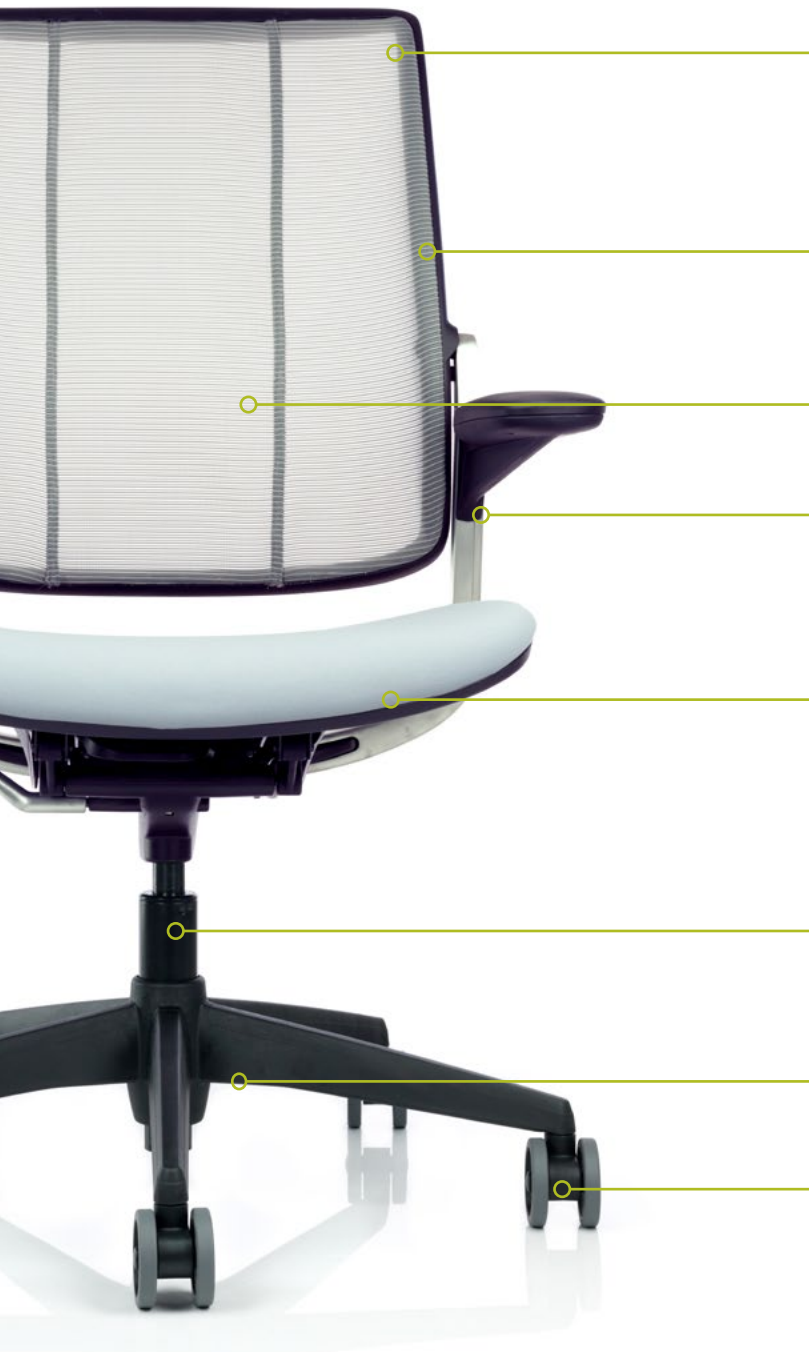
1- Textile Code **2-** Cushion Color **3-** Frame/Cushion Shell Color (G=Graphite, T=Titanium) **4-** Leather Stitch Color (page 44)



Diffrient smart™

Ideal for any designed environment, Diffrient Smart features aesthetics that are as minimal visually as the chair is functional. And, with its signature weight-sensitive recline, body-fitting Form-Sensing Mesh Technology and unique tri-panel backrest, Diffrient Smart adapts to every user, every time. Diffrient Smart is also available in the Plus version for a wider seat and with support for up to 400lbs.

Diffrient smart™ Features & Characteristics



BODY FIT

Size adjustable to fit more than 95% of the population

CUSHION PAN, BACK FRAME, FIVE-ARM BASE

Injection-molded, structural, integral color plastics

EXTERNAL FRAME

Die-cast aluminum with powder coating

FIREPROOFING

CAL 133-approved: optional fireproof barrier between textile and foam

SELF-ADJUSTING RECLINE

- Intelligent counter-balance recline mechanism automatically provides the right amount of support through the full range of recline motion, regardless of user size and weight
- No tension springs to adjust
- No recline locks to set/release
- During recline, the angle between torso and legs opens up for better body function
- User maintains near-constant eye level during recline

PIVOTING BACKREST

- Extra motion of the backrest during recline automatically adjusts to the changing needs of the spine
- Provides additional lumbar support as needed

FORM-SENSING MESH

- Tri-panel, non-stretch mesh construction creates body-fitting contours and self-adjusting lumbar support for a customized fit
- No external lumbar devices to adjust, break or lose
- Low-abrasion mesh protects clothing
- Modular for easy replacement

ARMREST OPTIONS

- Armless
- Fixed armrests
- Height-adjustable armrests with 5" range of adjustment
- 4D height-adjustable armrests with adjustable armpads (standard on Diffrient Smart Plus)

CONTOURED CUSHIONS

- Carefully sculpted to match body contours
- Increased contact area reduces pressure points
- Modular for easy replacement
- 2" thick cushions on Diffrient Smart with a 19.25" seat width
- 3" thick cushions on Diffrient Smart Plus with a 22" seat width
- Glueless cushions mean less usage of materials for a more environmentally friendly solution

CYLINDER

- Standard cylinder provides seat height range that accommodates 95% of the population
- Optional low cylinder for small users
- Optional high cylinder for very tall users

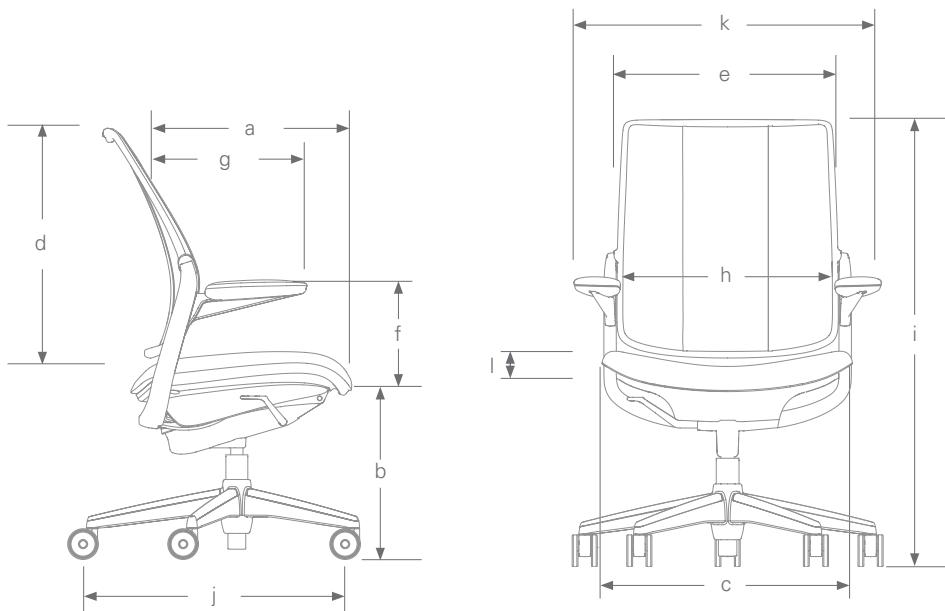
BASE

- Plastic base (standard on Diffrient Smart)
- Aluminum base (standard on Diffrient Smart Plus)

CASTER OPTIONS

- Standard 3" casters for carpeted floors
- Optional soft casters for hard floors

Diffrient smart™ Specifications



SCOPE OF USERS
<ul style="list-style-type: none"> Conference/Task chair fits 95% of the office population <ul style="list-style-type: none"> – 5'0" (152cm) Woman to 6'4" (193cm) Man – 100 to 300 lbs. (45.4kg – 136kg) Diffrient Smart Plus <ul style="list-style-type: none"> – 100 to 400 lbs. (45.4kg – 181kg) Users outside the standard height range can be accommodated by Low or Tall Cylinder
WEIGHT
<ul style="list-style-type: none"> 34 lbs. with arms 31 lbs. without arms
TILT AND RECLINE
<ul style="list-style-type: none"> 18° recline plus 8° backrest tilt
REFERENCE ANGLE BETWEEN SEAT AND BACK
<ul style="list-style-type: none"> 93° to 124°

CODE	DESCRIPTION	Diffrient Smart	Diffrient Smart Plus
a	seat depth (from face of lumbar to front of seat)	16.25" – 18.75"	17" – 19"
b	seat height (from floor to compressed front center of seat cushion)	16.5" - 20.75" standard cylinder chair 14.875" - 17.875" low-cylinder chair 17.625" - 22.625" tall-cylinder chair 20.75" - 28.25" 8" high-cylinder chair 17.125" - 19.75" 3" return to height cylinder chair 17.375" - 22.125" 5" return to height cylinder chair	17.5" – 22.75" standard cylinder chair 17.0" – 20.5" Low-Cylinder Chair 18.0" – 23.25" TALL-Cylinder Chair (5") 21.0" – 28.5" HIGH-Cylinder Chair (8") 17.25" – 19.63" Return to height Cylinder (3")
c	seat width	19.25"	22"
d	backrest height (from seat cushion to top of backrest)	22.50"	22.50"
e	backrest width	19"	19"
f	armrest height (from compressed seat cushion to top of armrest)	8.75" fixed 5" – 9.6" adjustable and 4D Arms	5.75" – 10.25" 4D (4D armrests only)
g	armrest length (from face of lumbar to front of armrest)	8.75"	8.75"
h	distance between armrests	18.50" fixed and adjustable 18" - 20" 4D arms	18" - 20" 4D arms (4D armrests only)
i	height	39" - 43.25" standard cylinder chair 37.5" - 40.5" low-cylinder chair 17.625" - 22.625" tall-cylinder chair 43.75" - 51.25" 8" high-cylinder chair 39.625" - 42.25" 3" return to height cylinder chair 39.875" - 44.625" 5" return to height cylinder chair	40" – 44.8" standard cylinder chair 40" – 43.5" low-cylinder chair 41" – 46" tall-cylinder chair 40.3" - 42.5" return to height cylinder chair
j	base diameter	26"	26"
k	chair width	26.5"	26.5"
l	cushion thickness	2"	3"

QUICK SHIP SKUs

Adjustable Duron Arms, Black Frame with Black Trim, Standard Seat Pan, Standard 5" Cylinder, Standard Casters for Carpeted Floors, Standard Foams and Plastics, Individually Boxed or Blanket Wrapped

Diffrient Smart - \$1,310	
S413BM10V101	Monofilament Stripe Black Back, Vellum Black Seat
S413BM11V101	Monofilament Stripe Carbon Back, Vellum Black Seat
S413BM14V101	Monofilament Stripe Platinum Back, Vellum Black Seat
S413BM10V102	Monofilament Stripe Black Back, Vellum Graphite Seat
S413BM11V102	Monofilament Stripe Carbon Back, Vellum Graphite Seat
S413BM14V102	Monofilament Stripe Platinum Back, Vellum Graphite Seat
S413BM10V114	Monofilament Stripe Black Back, Vellum Light Grey Seat
S413BM11V114	Monofilament Stripe Carbon Back, Vellum Light Grey Seat
S413BM14V114	Monofilament Stripe Platinum Back, Vellum Light Grey Seat
S413BM10CF10	Monofilament Stripe Black Back, Corde 4 Black Seat
S413BM11CF10	Monofilament Stripe Carbon Back, Corde 4 Black Seat
S413BM14CF10	Monofilament Stripe Platinum Back, Corde 4 Black Seat
S413BM10CF12	Monofilament Stripe Black Back, Corde 4 Graphite Seat
S413BM11CF12	Monofilament Stripe Carbon Back, Corde 4 Graphite Seat
S413BM14CF12	Monofilament Stripe Platinum Back, Corde 4 Graphite Seat
S413BM10CF56	Monofilament Stripe Black Back, Corde 4 Medium Grey Seat
S413BM11CF56	Monofilament Stripe Carbon Back, Corde 4 Medium Grey Seat
S413BM14CF56	Monofilament Stripe Platinum Back, Corde 4 Medium Grey Seat

			Diffrient Smart	Diffrient Smart Plus
COMPONENT	CODE	BASE MODEL PRICE	\$1,080	\$1,715
LINE	S	Smart	-	-
STYLE <small>* See page 44 for LPC approved textile options</small>	1	Diffrient Smart Task Chair - Living Product Challenge Approved*	-	N/A
	2	Diffrient Smart Plus Task Chair	N/A	-
	4	Diffrient Smart Task Chair	-	N/A
MECHANISM	1	Task Chair	-	-
ARMRESTS	0	Armless	-	-
	1	Fixed Duron Arms	\$125	N/A
	2	Fixed Duron Arms with Matching Textile	\$150	N/A
	3	Adjustable Duron Arms	\$210	N/A
	4	Adjustable Duron Arms with Matching Textile	\$235	N/A
	5	4D Adjustable Duron Arms	\$245	\$245
	6	4D Adjustable Duron Arms with Matching Textile	\$270	\$270
FRAME COLOR	B	Black Frame with Black Trim	-	-
	D	Dark Gray Frame with Polished Aluminum Trim	\$100	\$100
	C	Black Frame with Polished Aluminum Trim	\$100	\$100
BACKREST MESH STYLE		See page 44 and textile samples for mesh color options and codes		
BACKREST MESH COLOR		See page 44 and textile samples for mesh color options and codes		
SEAT TEXTILE		Textile Grade 1 (W,V,K,CF)	\$20	\$28
		Textile Grade 2 (F,H)	\$60	\$75
		Textile Grade 3 (D)	\$120	\$150
		Leather Grade 0 (Z)	\$455	N/A
		Leather Grade 1 (Q)	\$501	N/A
		Leather Grade 3 (R)	\$960	N/A
SEAT TEXTILE COLOR		See pages 41-42 for color options		
LEATHER STITCHING		If leather is selected, see page 44 for stitch options		
	-	No leather selected	-	-
SEAT PAN	-	Standard Seat Pan	-	-
CYLINDER	-	Standard 5"	-	-
	A	3" Return to Height Cylinder	\$42	\$42
	L	Low 3.75"	\$26	\$26
	T	Tall 5"	\$37	\$37
	F	High 8" cylinder w/ 18" foot ring	\$110	\$110
	R	High 8" cylinder w/ 21" foot ring	\$152	\$152
CASTERS/GLIDES	-	Standard Casters for Carpeted Floors	-	-
	S	Soft Casters	-	-
FIREPROOFING	-	Standard Foams and Plastics	-	-
	C	CAL 133 Approved Foams and Plastics	\$50	\$60
SHIPPING	-	Individually Boxed	-	-
	B	Blanket Wrapped*	-	-

REPLACEMENT PARTS	Code	CAL133 Available	Price	Textile 1	Textile 2	Textile 3	Leather 0	Leather 1	Leather 2	Leather 3
Foam Seat Cushion (Diffrient Smart)	SSF12226	C	N/A	\$135	\$160	\$210	\$320	\$555	N/A	\$835
Foam Seat Cushion (Diffrient Smart Plus)	S2SF12226	C	N/A	\$178	\$210	\$273	\$416	\$696	N/A	\$995
Mesh Backrest (Diffrient Smart & Smart Plus)	SB3422		\$155	N/A	N/A	N/A	N/A	N/A	N/A	N/A
Duron Arm Pads (Pair) (Diffrient Smart & Smart Plus)	SDA5		\$60	N/A	N/A	N/A	N/A	N/A	N/A	N/A
Duron Arm Pads w/Matching Textile (Pair) (Diffrient Smart & Smart Plus)	SDAM1222	C	N/A	\$70	\$90	\$90	\$95	\$115	N/A	\$170

RETROFIT KITS	Code	CAL133 Available	Price	Textile 1	Textile 2	Textile 3	Leather 0	Leather 1	Leather 2	Leather 3
Fixed Duron Arms	SKF35		\$200	N/A	N/A	N/A	N/A	N/A	N/A	N/A
Fixed Duron Arms w/Matching Textile	SKFM31222	C	N/A	\$210	\$230	\$230	\$235	\$255	N/A	\$310
Height Adjustable Duron Arms	SKH35		\$355	N/A	N/A	N/A	N/A	N/A	N/A	N/A
Height Adjustable Duron Arms w/Matching Textile	SKHM31222	C	N/A	\$365	\$385	\$385	\$390	\$410	N/A	\$465
4D Adjustable Duron Arms	SKD35		\$380	N/A	N/A	N/A	N/A	N/A	N/A	N/A
4D Adjustable Duron Arms w/ Matching Textile	SKDM31222	C	N/A	\$390	\$410	\$410	\$415	\$435	N/A	\$490

Any code containing a number refers to the component or textile that must be selected to order the replacement or retrofit part.

1 – Textile Code (pages 41-42) **2** – Cushion Color (pages 41-42) **3** – Frame Color (B, G, A)

4 – Mesh (M, C, A, N, J) **5** – Arm Pad Color (B, G) **6** – Leather Stitch Color (page 44)



Liberty[®]

Liberty, with Form-Sensing Mesh Technology, is unlike any mesh chair you've seen or experienced. With its tri-panel construction, Liberty has the body-fitting contours that single-panel stretch mesh chairs simply can't achieve. And it offers perfect lumbar support for everyone, without external devices or manual adjustments. Liberty's mesh back is formed by combining three panels of non-stretch mesh in the same way a tailor combines multiple pieces of material to form a shirt. So its contours are custom-made to both fit and support the human body in unprecedented comfort.





BODY FIT

Size adjustable to fit more than 95% of the population

CUSHION PAN, BACK FRAME, FIVE-ARM BASE

Injection-molded, structural, integral color plastics.
Optional stainless steel caps on base

EXTERNAL FRAME

Die-cast aluminum with fused plastic coating or polished aluminum finish

FIREPROOFING

CAL 133-approved: optional fireproof barrier between textile and foam

SELF-ADJUSTING RECLINE

- Intelligent counter-balance recline mechanism automatically provides the right amount of support through the full range of recline motion, regardless of user size and weight
- No tension springs to adjust
- No recline locks to set/release
- During recline, the angle between torso and legs opens up for better body function
- User maintains near-constant eye level during recline

PIVOTING BACKREST

- Extra motion of the backrest during recline automatically adjusts to the changing needs of the spine
- Provides additional lumbar support as needed

ARMREST OPTIONS

- Armless
- Fixed armrests
- Height-adjustable armrests with 5" range of adjustment
- Armpad Options: Standard Flexible Duron or Duron with Gel for optimal comfort

FORM-SENSING MESH

- Tri-panel, non-stretch mesh construction creates body-fitting contours and self-adjusting lumbar support for a customized fit
- No external lumbar devices to adjust, break or lose
- Low-abrasion mesh protects clothing
- Modular for easy replacement

CONTOURED CUSHIONS

- Carefully sculpted to match body contours
- Increased contact area reduces pressure points
- Modular for easy replacement
- Glueless cushions mean less usage of materials for a more environmentally friendly solution

CYLINDER

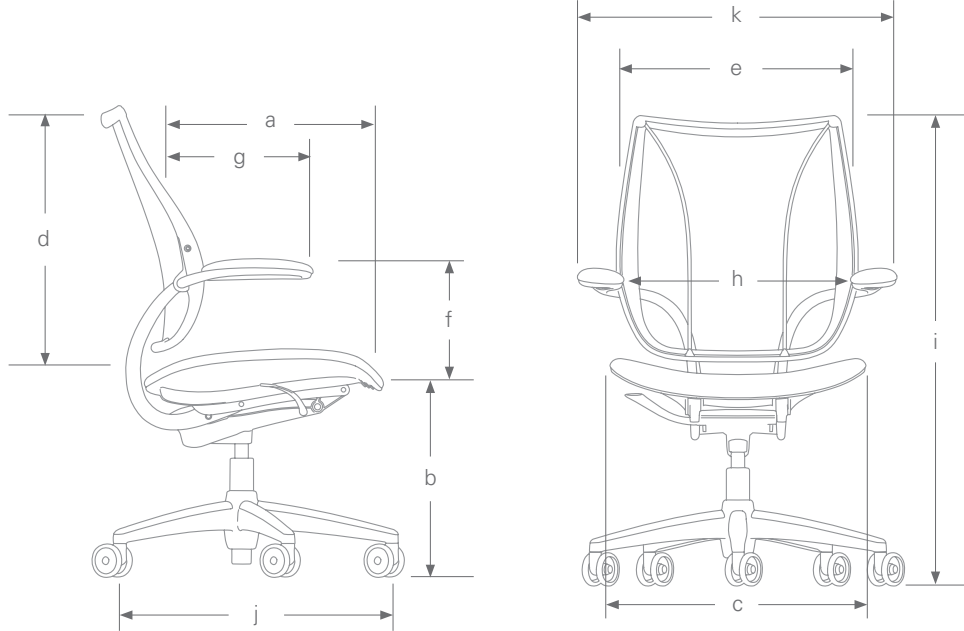
- Standard cylinder provides seat height range that accommodates 95% of the population
- Optional low cylinder for small users
- Optional tall cylinder for very tall users
- Optional high cylinder with foot ring

OPTIONAL FOOT RING

- Polished finish
- Height-adjustable

CASTER OPTIONS

- Standard 3" casters for carpeted floors
- Optional soft casters for hard floors
- Optional non-rolling glides for fixed location use



CODE	DESCRIPTION	MEASUREMENT
a	seat depth <i>(from face of lumbar to front of seat)</i>	16.5" – 18.75"
b	seat height <i>(from floor to compressed front center of seat cushion)</i>	16.6" - 20.9" standard cylinder chair 15.4" - 18.4" low-cylinder chair 17.25" - 22.6" tall-cylinder chair 21.1" - 28.6" high-cylinder chair 16.875" - 19.5" 3" return to height cylinder chair 17.125" - 21.875" 5" return to height cylinder chair
c	seat width	21.25"
d	backrest height <i>(from seat cushion to top of backrest)</i>	23"
e	backrest width	20"
f	armrest height <i>(from compressed seat cushion to top of armrest)</i>	10" fixed 6.25"-9.75" adjustable
g	armrest length <i>(from face of lumbar to front of armrest)</i>	8.6"
h	distance between armrests	19"
i	height	39.25" - 43.625" standard cylinder chair 37.875" - 40.875" low-cylinder chair 40.5" - 45.5" tall-cylinder chair 43.5" - 51.0" high-cylinder chair 39.875" - 42.5" 3" return to height cylinder chair 40.125" - 44.875" 5" return to height cylinder chair
j	base diameter	25"
k	chair width	26.5" with arms 21" without arms

SCOPE OF USERS

- Conference/Task chair fits more than 95% of the office population
 - 5'0" Woman to 6'4" Man
 - 100 to 300 lbs.
- Users outside the standard range can be accommodated by Low or Tall Cylinder

WEIGHT

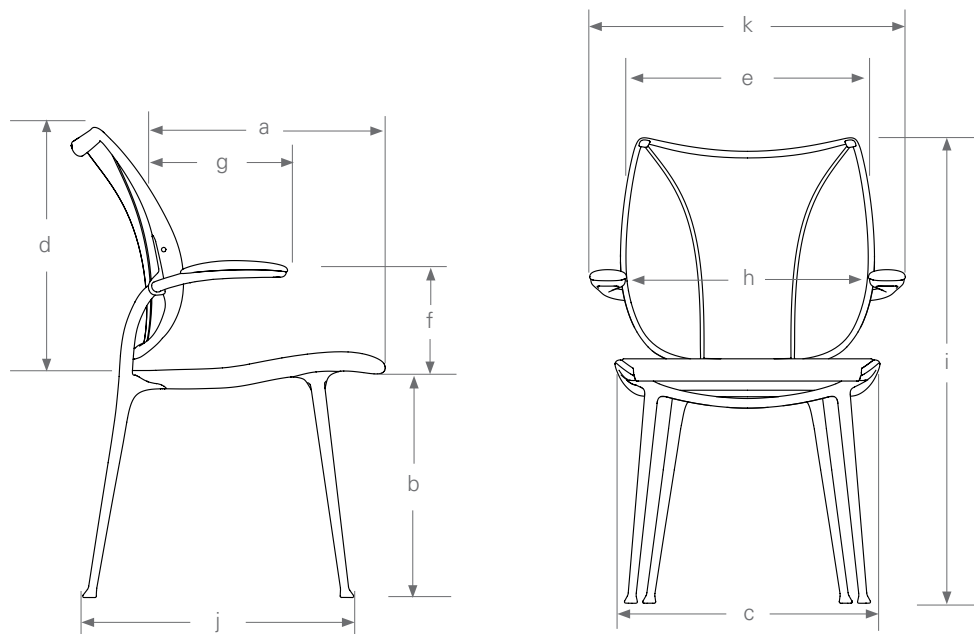
- 34 lbs. *with arms*
- 30 lbs. *without arms*

TILT AND RECLINE

- 17° recline plus 7° backrest tilt
Conference/Task chair

REFERENCE ANGLE BETWEEN SEAT AND BACK

- 100° to 124° *Conference/Task chair*



CODE	DESCRIPTION	MEASUREMENT
a	seat depth <i>(from face of lumbar to front of seat)</i>	18.5"
b	seat height <i>(from floor to compressed front center of seat cushion)</i>	18.4"
c	seat width	20.75"
d	backrest height <i>(from seat cushion to top of backrest)</i>	20.75"
e	backrest width	20.25"
f	armrest height <i>(from compressed seat cushion to top of armrest)</i>	9.1"
g	armrest length <i>(from face of lumbar to front of armrest)</i>	12"
h	distance between armrests	19.15"
i	height	36.75"
j	base diameter	N/A
k	chair width	25"

SCOPE OF USERS
<ul style="list-style-type: none"> Side chair fits more than 95% of the office population - 5'0" Woman to 6'4" Man - 100 to 300 lbs.
WEIGHT
<ul style="list-style-type: none"> 18 lbs. <i>with arms</i> 17 lbs. <i>without arms</i>

QUICK SHIP SKUs

Adjustable Duron Arms, Black Frame with Black Trim, Standard Seat Pan, Standard 5" Cylinder, Standard 3" Casters for Carpeted Floors, Standard Foams and Plastics, Standard Base, Individually Boxed or Blanket Wrapped

Liberty Task - \$1,197	
L111BM10V101	Monofilament Stripe Black Back, Vellum Black Seat
L111BM11V101	Monofilament Stripe Carbon Back, Vellum Black Seat
L111BM14V101	Monofilament Stripe Platinum Back, Vellum Black Seat
L111BM10V102	Monofilament Stripe Black Back, Vellum Graphite Seat
L111BM11V102	Monofilament Stripe Carbon Back, Vellum Graphite Seat
L111BM14V102	Monofilament Stripe Platinum Back, Vellum Graphite Seat
L111BM10V114	Monofilament Stripe Black Back, Vellum Light Grey Seat
L111BM11V114	Monofilament Stripe Carbon Back, Vellum Light Grey Seat
L111BM14V114	Monofilament Stripe Platinum Back, Vellum Light Grey Seat
L111BM10CF10	Monofilament Stripe Black Back, Corde 4 Black Seat
L111BM11CF10	Monofilament Stripe Carbon Back, Corde 4 Black Seat
L111BM14CF10	Monofilament Stripe Platinum Back, Corde 4 Black Seat
L111BM10CF12	Monofilament Stripe Black Back, Corde 4 Graphite Seat
L111BM11CF12	Monofilament Stripe Carbon Back, Corde 4 Graphite Seat
L111BM14CF12	Monofilament Stripe Platinum Back, Corde 4 Graphite Seat
L111BM10CF56	Monofilament Stripe Black Back, Corde 4 Medium Grey Seat
L111BM11CF56	Monofilament Stripe Carbon Back, Corde 4 Medium Grey Seat
L111BM14CF56	Monofilament Stripe Platinum Back, Corde 4 Medium Grey Seat



TASK

SIDE

COMPONENT	CODE	BASE MODEL PRICE	\$986	\$531
STYLE	L11	Task Chair	-	N/A
	L40	Side Chair	N/A	-
ARMRESTS	0	Armless	-	-
	6	Fixed Duron Arms	\$110	\$94
	7	Fixed Duron Arms with Matching Textile	\$135	\$120
	X	Fixed Duron Gel Arms	\$145	\$125
	M	Fixed Gel Arms with Matching Textile	\$170	\$151
	1	Adjustable Duron Arms	\$190	N/A
	2	Adjustable Duron Arms with Matching Textile	\$215	N/A
	D	Adjustable Duron Gel Arms	\$220	N/A
C	Adjustable Gel Arms with Matching Textile	\$245	N/A	
FRAME COLOR	B	Black with Black Trim	-	-
	V	Silver with Silver Trim	-	-
	L	Silver with Black Trim	-	-
	A	Polished Aluminum with Black Trim	\$137	\$91
	P	Polished Aluminum with Silver Trim	\$137	\$91
BACKREST MESH STYLE		See page 44 and textile samples for mesh color options and codes		
BACKREST MESH COLOR		See page 44 and textile samples for mesh color options and codes		
SEAT MESH/ TEXTILE STYLE		Mesh (A,N,J)	N/A	-
		Textile Grade 1 (W,V,K,CF)	\$21	\$63
		Textile Grade 2 (F,H)	\$52	\$89
		Textile Grade 3 (D)	\$104	\$110
		Leather Grade 0 (Z)	\$364	N/A
		Leather Grade 1 (Q)	\$405	N/A
		Leather Grade 2	N/A	N/A
		Leather Grade 3 (R)	\$824	N/A
SEAT MESH/ TEXTILE COLOR		See pages 42-44 and textile samples for mesh color options and codes		
LEATHER STITCHING		If leather is selected, see page 44 for stitch options		
	-	No leather selected	-	-
GEL SEAT		Standard Seat Pan	-	-
	G	Gel Seat - <i>Not compatible with leather textiles</i>	\$80	N/A
CYLINDER		Standard 5"	-	N/A
	A	3" Return to Height Cylinder	\$44	N/A
	L	Low 3.75"	\$28	N/A
	T	Tall 5"	\$39	N/A
	F	High 8" w/18" Foot Ring	\$115	N/A
	R	High 8" w/21" Foot Ring	\$159	N/A
	CASTERS/GLIDES		Standard 3" Casters for carpeted floors	-
S	Soft Casters	-	N/A	
G	Glides	\$22	N/A	
FIREPROOFING		Standard Foams and Plastics	-	-
	C	CAL 133-Approved Foams and Plastics <i>(Included in all side chairs)</i>	\$46	-
BASE		Standard Base to Match Trim Color	-	N/A
SHIPPING		Individually Boxed	-	-
	B	Blanket Wrapped	-	-

REPLACEMENT PARTS	Code	CAL133 Available	Price	Textile 1	Textile 2	Textile 3	Leather 0	Leather 1	Leather 2	Leather 3
-------------------	------	------------------	-------	-----------	-----------	-----------	-----------	-----------	-----------	-----------

Liberty Conference/Task										
Seat (Foam)	LSF 12226	C	N/A	\$141	\$167	\$219	\$333	\$578	N/A	\$869
Seat (Gel)	LSG 1222	C	N/A	\$219	\$245	N/A	N/A	N/A	N/A	N/A
Mesh Backrest	LB3422		\$188	N/A	N/A	N/A	N/A	N/A	N/A	N/A
Fixed Duron Arm Pads (Pair)	LDA5		\$52	N/A	N/A	N/A	N/A	N/A	N/A	N/A
Fixed Duron Gel Arm Pads (Pair)	LGA		\$84	N/A	N/A	N/A	N/A	N/A	N/A	N/A
Height-Adjustable Duron Arm Pads (Pair)	LDV5		\$52	N/A	N/A	N/A	N/A	N/A	N/A	N/A
Height-Adjustable Duron Gel Arm Pads (Pair)	LGV		\$84	N/A	N/A	N/A	N/A	N/A	N/A	N/A
Fixed Duron Arm Pads with Matching Textile (Pair)	LDAM 1222	C	N/A	\$73	\$94	\$99	\$104	\$125	N/A	\$198
Fixed Gel Arm Pads with Matching Textile (Pair)	LGAM 1222	C	N/A	\$104	\$125	\$129	\$136	\$156	N/A	\$229
Height-Adjustable Duron Arm Pads with Matching (Pair)	LDVM 1222	C	N/A	\$73	\$94	\$99	\$104	\$125	N/A	\$198
Height-Adjustable Gel Arm Pads with Matching Textile (Pair)	LGVM 1222	C	N/A	\$104	\$125	\$129	\$136	\$156	N/A	\$229

Liberty Side										
Mesh Backrest	LSCB3422		\$188	N/A	N/A	N/A	N/A	N/A	N/A	N/A
Mesh Seat Cushion	LSCS3422		\$188	N/A	N/A	N/A	N/A	N/A	N/A	N/A
Textile-covered Seat Cushion	LSCSM31222			\$214	\$234	\$239	N/A	N/A	N/A	N/A
Duron Arm Pads (Pair)	LSDA5		\$52	N/A	N/A	N/A	N/A	N/A	N/A	N/A
Duron Gel Arm Pads (Pair)	LSGA		\$84	N/A	N/A	N/A	N/A	N/A	N/A	N/A
Duron Arm Pads with Matching Textile Cover (Pair)	LSDAM 1222		N/A	\$73	\$94	\$99	\$104	\$125	N/A	\$198
Gel Arm Pads with Matching Textile Cover (Pair)	LSGAM 1222			\$104	\$125	\$129	\$136	\$156	N/A	\$229

Any code containing a number refers to the component or textile that must be selected to order the replacement or retrofit part.

1 – Textile Code (pages 41-42) **2** – Cushion Color (pages 41-42) **3** – Frame Color (B, V, A) **4** – Mesh (M, C, A, N, J)

5 – Arm Pad Color (B, V) **6** – Leather Stitch Color (page 42)

RETROFIT PARTS	Code	CAL133 Available	Price	Textile 1	Textile 2	Textile 3	Leather 0	Leather 1	Leather 2	Leather 3
----------------	------	------------------	-------	-----------	-----------	-----------	-----------	-----------	-----------	-----------

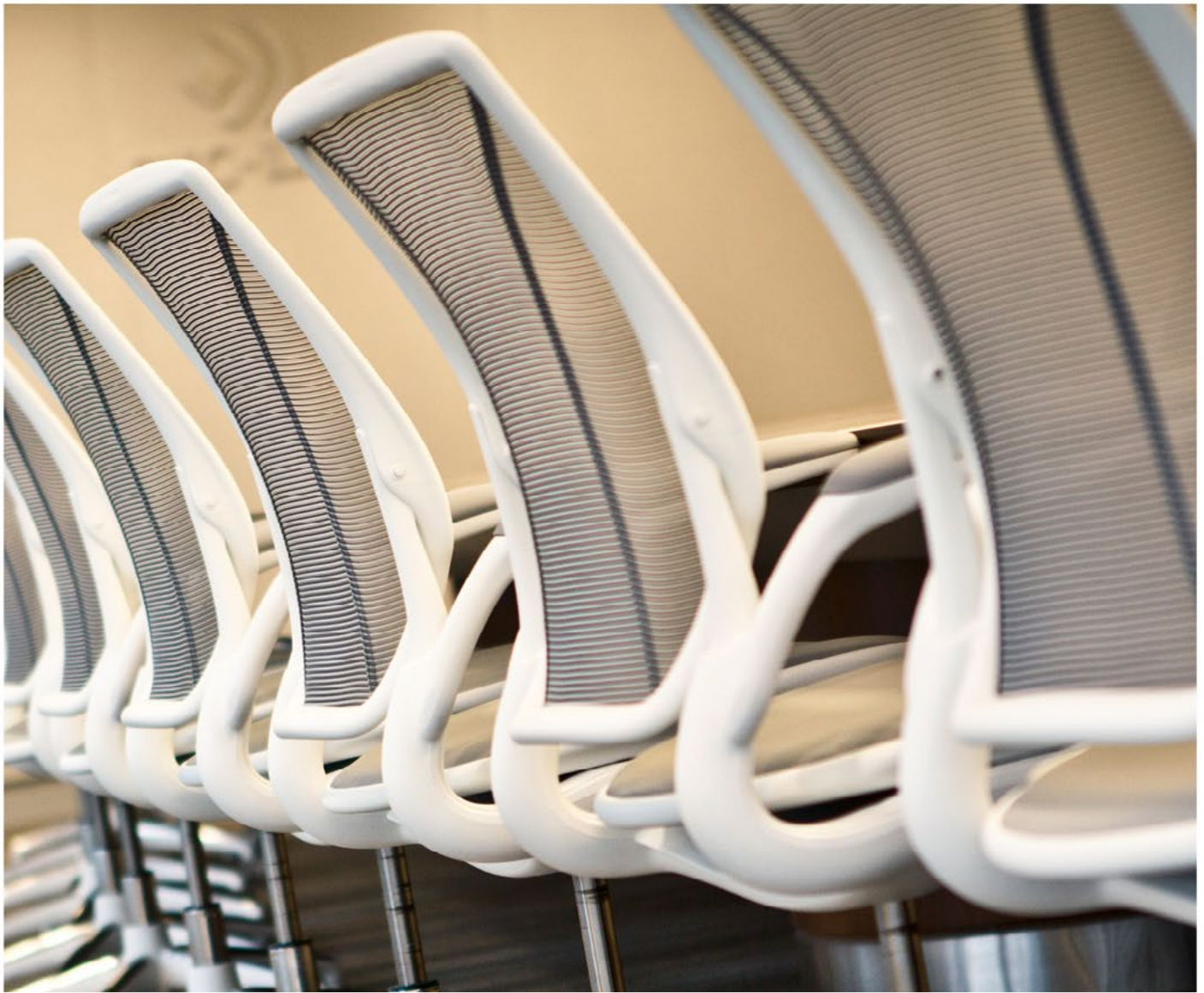
Liberty Task Retrofit Kits										
Fixed Duron Arms (Pair)	LKFD35		\$125	N/A	N/A	N/A	N/A	N/A	N/A	N/A
Fixed Duron Gel Arms (Pair)	LKFG3		\$156	N/A	N/A	N/A	N/A	N/A	N/A	N/A
Height-Adjustable Duron Arms (Pair)	LKD35		\$172	N/A	N/A	N/A	N/A	N/A	N/A	N/A
Height-Adjustable Duron Gel Arms (Pair)	LKA3		\$208	N/A	N/A	N/A	N/A	N/A	N/A	N/A
Fixed Duron Arms with Matching Textile (Pair)	LKFDM31222	C		\$146	\$167	\$172	\$177	\$198	N/A	\$271
Fixed Gel Arms with Matching Textile (Pair)	LKFGM31222	C		\$177	\$198	\$203	\$208	\$229	N/A	\$302
Height-Adjustable Duron Arms with Matching Textile (Pair)	LKDM31222	C		\$198	\$219	\$224	\$229	\$250	N/A	\$323
Height-Adjustable Gel Arms with Matching Textile (Pair)	LKAM31222	C		\$229	\$250	\$255	\$260	\$281	N/A	\$354

Liberty Side Retrofit Kits										
Fixed Duron Arms (Pair)	LSKFD35		\$115	N/A	N/A	N/A	N/A	N/A	N/A	N/A
Fixed Duron Gel Arms (Pair)	LSKFX3		\$146	N/A	N/A	N/A	N/A	N/A	N/A	N/A
Fixed Duron Arms with Matching Textile Cover (Pair)	LSKFDM31222			\$136	\$156	\$161	\$167	\$188	N/A	\$260
Fixed Gel Arms with Matching Textile Cover (Pair)	LSKFGM31222			\$167	\$188	\$193	\$198	\$219	N/A	\$292

Any code containing a number refers to the component or textile that must be selected to order the replacement or retrofit part.

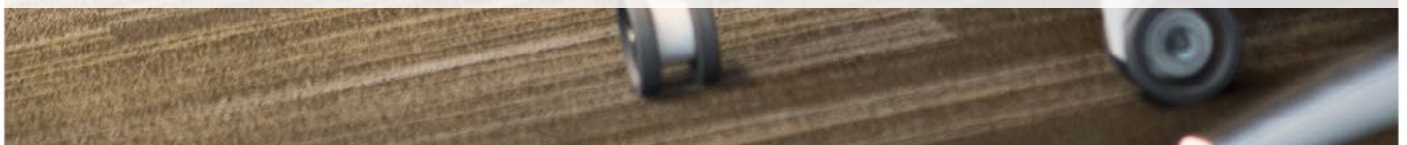
1 – Textile Code (pages 41-42) **2** – Cushion Color (pages 41-42) **3** – Frame Color (B, V, A) **4** – Mesh (M, C, A, N, J)

5 – Arm Pad Color (B, V) **6** – Leather Stitch Color (page 42)



Diffrient *world*[®]

Diffrient World marks Humanscale's first foray into all-mesh task seating. Like its mesh-backed forerunner, Liberty, Diffrient World's tri-panel backrest hugs the body to provide tailor-made lumbar support, while its mesh seat eliminates contact stress under the thighs. But Diffrient World's major innovation is its mechanism-free recline action, which leverages two parts of the chair's frame, the user's body weight, and the laws of physics to provide automatic and balanced support throughout the full range of recline. No chair is more intuitive, creating the ultimate user-friendly sitting experience.



Features & Characteristics



BODY FIT

Size adjustable to fit more than 95% of the population

CUSHION PAN, BACK FRAME, FIVE-ARM BASE

Non-stretch, tri-panel mesh back. Non-stretch mesh seat. Optional upholstered polyurethane foam seat cushion

EXTERNAL FRAME

Injection-molded, structural, integral color glass-filled Nylon 6

FIREPROOFING

CAL 133-approved option available

SELF-ADJUSTING RECLINE

- Intelligent counter-balance recline mechanism automatically provides the right amount of support through the full range of recline motion, regardless of user size and weight
- No tension springs to adjust
- No recline locks to set/release
- During recline, the angle between torso and legs opens up for better body function
- User maintains near-constant eye level during recline

PIVOTING BACKREST

- Extra motion of the backrest during recline automatically adjusts to the changing needs of the spine
- Provides additional lumbar support as needed

ARMREST OPTIONS

- Armless, Fixed armrests or Height-adjustable armrests with 3.2" range of adjustment

ARM PAD OPTIONS

- Flexible Duron or Matching textile-covered arm pad

FORM-SENSING MESH

- Tri-panel, non-stretch mesh construction creates body-fitting contours and self-adjusting lumbar support for a customized fit
- No external lumbar devices to adjust, break or lose
- Low-abrasion mesh protects clothing
- Modular for easy replacement

NON-STRETCH MESH SEAT

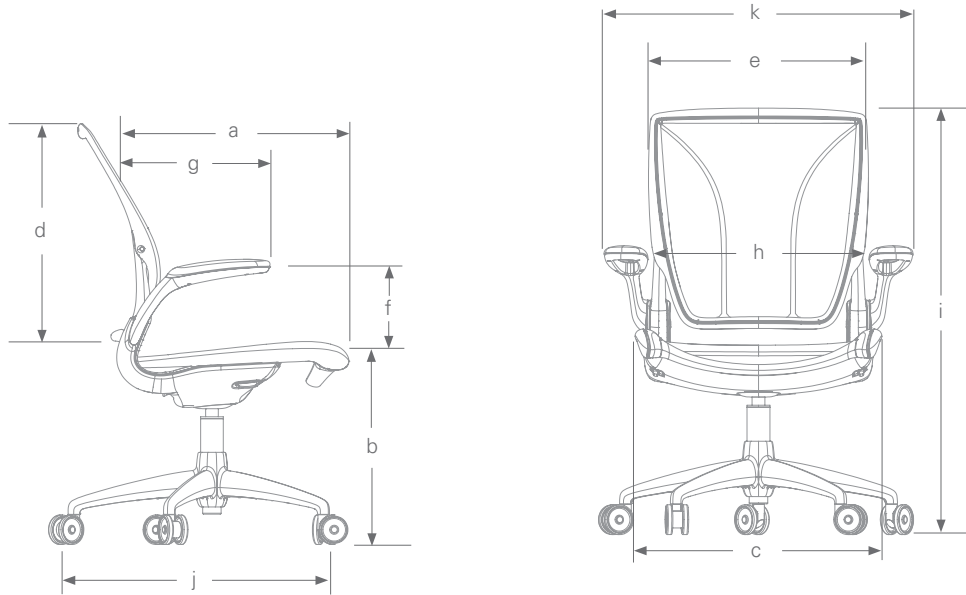
- Automatically sculpts to match body contours
- Cradles the body in flexible, breathable mesh
- Frameless front edge eliminates contact stress under the thighs

CYLINDER

- Standard cylinder provides seat height range that accommodates 95% of users
- Optional low cylinder for small users
- Optional tall cylinder for very tall users
- Optional high cylinder with foot ring

CASTER OPTIONS

- Standard 3" (76mm) hard casters
- Optional non-rolling glides for fixed location use
- Optional soft casters for hard floors



CODE	DESCRIPTION	MEASUREMENT
a	seat depth <i>(from face of lumbar to front of seat)</i>	15.70" - 18.25"
b	seat height <i>(from floor to compressed front center of seat cushion)</i>	16" - 21.125" standard chair 14" - 17" low chair 16.25" - 21.6" tall chair 19.75" - 27.25" 8" high cylinder with 18" foot ring 20.75" - 30.75" 10" high cylinder with 18" foot ring 14.75" - 17.38" 3" high cylinder with 18" foot ring 15.0" - 19.75" 5" high cylinder with 18" foot ring
c	seat width	20.20"
d	backrest height <i>(from seat cushion to top of backrest)</i>	22.5"
e	backrest width	16"
f	armrest height <i>(from compressed seat cushion to top of armrest)</i>	9.50" fixed 7.20" - 10.75" adjustable
g	armrest length <i>(from face of lumbar to front of armrest)</i>	8.40"
h	distance between armrests	18.75"
i	height	35.625" - 40.75" standard chair 32.75" - 35.75" low chair 35.0" - 40.0" tall chair 38.125" - 45.625" 8" high cylinder with 18" foot ring 40.75" - 50.75" 10" high cylinder with 18" foot ring 34.75" - 37.375" 3" high cylinder with 18" foot ring 35.0" - 39.75" 5" high cylinder with 18" foot ring
j	base diameter	24" (610mm)
k	chair width	25.75" (with arms) 21" (without arms)

SCOPE OF USERS
<ul style="list-style-type: none"> Conference/Task chair fits 95% of the office population <ul style="list-style-type: none"> 5'0" (152cm) Woman to 6'4" (193cm) Man 100 to 300 lbs. (45.4kg - 136kg) Users outside the standard height range can be accommodated by Low or Tall Cylinder
WEIGHT
<ul style="list-style-type: none"> 28 lbs. Conference/Task chair 24 lbs. Armless chair
TILT AND RECLINE
<ul style="list-style-type: none"> 17° recline plus 8° backrest tilt
REFERENCE ANGLE BETWEEN SEAT AND BACK
<ul style="list-style-type: none"> 97.7° to 114.3°

QUICK SHIP SKUs

Height-Adjustable Duron Arms, Black Frame, Standard 5" Cylinder, Standard Hard Casters, Standard Base, Individually Boxed or Blanket Wrapped

Diffrient World - \$1,052	
W11BM10V101	Monofilament Stripe Black Back, Vellum Black Seat
W11BM11V101	Monofilament Stripe Carbon Back, Vellum Black Seat
W11BM14V101	Monofilament Stripe Platinum Back, Vellum Black Seat
W11BM10V102	Monofilament Stripe Black Back, Vellum Graphite Seat
W11BM11V102	Monofilament Stripe Carbon Back, Vellum Graphite Seat
W11BM14V102	Monofilament Stripe Platinum Back, Vellum Graphite Seat
W11BM10V114	Monofilament Stripe Black Back, Vellum Light Grey Seat
W11BM11V114	Monofilament Stripe Carbon Back, Vellum Light Grey Seat
W11BM14V114	Monofilament Stripe Platinum Back, Vellum Light Grey Seat
W11BM10CF10	Monofilament Stripe Black Back, Corde 4 Black Seat
W11BM11CF10	Monofilament Stripe Carbon Back, Corde 4 Black Seat
W11BM14CF10	Monofilament Stripe Platinum Back, Corde 4 Black Seat
W11BM10CF12	Monofilament Stripe Black Back, Corde 4 Graphite Seat
W11BM11CF12	Monofilament Stripe Carbon Back, Corde 4 Graphite Seat
W11BM14CF12	Monofilament Stripe Platinum Back, Corde 4 Graphite Seat
W11BM10CF56	Monofilament Stripe Black Back, Corde 4 Medium Grey Seat
W11BM11CF56	Monofilament Stripe Carbon Back, Corde 4 Medium Grey Seat
W11BM14CF56	Monofilament Stripe Platinum Back, Corde 4 Medium Grey Seat

Build Your Product Code

COMPONENT	CODE	BASE MODEL PRICE	\$806
LINE	W	Diffrient World Chair	-
STYLE	1	Conference/Task Chair	-
ARMRESTS	0	Armless	-
	6	Fixed Duron Arms	\$82
	7	Fixed Duron Arms with Matching Textile - <i>Available with textile covered seat only</i>	\$108
	1	Adjustable Duron Arms	\$174
	2	Adjustable Duron Arms with Matching Textile - <i>Available with textile covered seat only</i>	\$199
FRAME COLOR	B	Black	-
	W	White	\$20
	V	Gray	-
BACKREST MESH STYLE		See page 44 and textile Samples for mesh color options and codes	
BACKREST MESH COLOR		See page 44 and textile Samples for mesh color options and codes	
SEAT MESH/ TEXTILE STYLE		Mesh (A,N,J)	-
		Textile Grade 1 (W,V,K,CF)	\$72
		Textile Grade 2 (F,H)	\$113
		Textile Grade 3 (D)	\$153
SEAT MESH/ TEXTILE COLOR		See pages 42-44 and textile samples for mesh color options and codes	
CYLINDER	—	Standard 5"	-
	A	3" Return to Height Cylinder	\$43
	L	Low 3.75"	\$27
	F	High 8" w/18" Foot Ring	\$113
	R	High 8" Cylinder with 21" Foot Ring	\$156
	X	Extra-high 10" Cylinder w/ 18" Foot Ring	\$113
	Z	Extra-high 10" Cylinder w/ 21" Foot Ring	\$156
CASTERS/GLIDES	—	Standard Hard Casters	-
	S	Soft Casters	\$17
	G	Glides	\$22
FIREPROOFING	—	Standard Plastics and Foams	-
	C	CAL133 Label Applied to Underside of Chair	-
BASE	—	Standard	-
SHIPPING	—	Individually Boxed	-
	B	Blanket Wrapped - <i>See Terms and Conditions for minimum order requirements</i>	-

Requires glides

REPLACEMENT PARTS	Code	CAL133 Available	Price	Textile 1	Textile 2	Textile 3
-------------------	------	------------------	-------	-----------	-----------	-----------

Seat Cushions						
Mesh Backrest	DWCB3422	C	\$150	N/A	N/A	N/A
Mesh Seat Cushion	DWCS3422	C	\$150	N/A	N/A	N/A
Textile-Covered Seat Cushion	DWCSM31222	C	N/A	\$215	\$237	\$259

Armrest Cushions						
Fixed Duron Arm Pads (Pair)	DWFD35	C	\$48			
Fixed Duron Arm Pads with Matching Textile Cover (Pair)*	DWFDM1222	C		\$70	\$92	\$92
Height-Adjustable Duron Arm Pads (Pair)	DWAD35	C	\$48			
Height-Adjustable Duron Arm Pads with Matching Textile Cover (Pair)*	DWADM1222	C		\$70	\$92	\$92

RETROFIT PARTS	Code	CAL133 Available	Price	Textile 1	Textile 2	Textile 3
Fixed Duron Arms (Pair)	DWKFD35	C	\$97			
Fixed Duron Arms with Matching Textile Cover (Pair)*	DWKFDM31222	C		\$118	\$140	\$140
Height-Adjustable Duron Arms (Pair)	DWKAD35	C	\$194			
Height-Adjustable Duron Arms with Matching Textile Cover (Pair)*	DWKADM31222	C		\$215	\$237	\$237

Any code containing a number refers to the component or textile that must be selected to order the replacement or retrofit part.

1 – Textile Code (pages 42-44) **2** – Cushion Color (pages 41-43) **3** – Frame Color (B, W, V)

4 – Mesh (M,C,A,N, J) **5** – Arm Pad Color (S,B)

Diffrient Occasional™

Diffrient Occasional is a stackable multipurpose chair that is suitable for a variety of office and group settings. A strong, linear backrest made with proprietary non-stretch mesh creates a three-dimensional form — fitting the user like a perfectly tailored shirt. As with all of our mesh chairs, Occasional has a minimalist aesthetic and is supportive in all positions for long-term comfort.



- The lightweight chairs can be stacked up to five high for easy storage
- Long-lasting frame and durable urethane arms resist damage, even when moved and stacked
- Mesh pattern can be configured to match our Diffrient World task chair for a consistent aesthetic

Product Weight	21.5 lbs.
Product Height	36.68"
Product Width	23.23"
Product Depth	21.19"
Product Finishes	<i>Backrest Frame</i> - Black, Light Gray <i>Cantilever Base</i> - Black Powder Coat, Silver Powder Coat, Light Gray Powder Coat, Chrome 3

Build Your Product Code

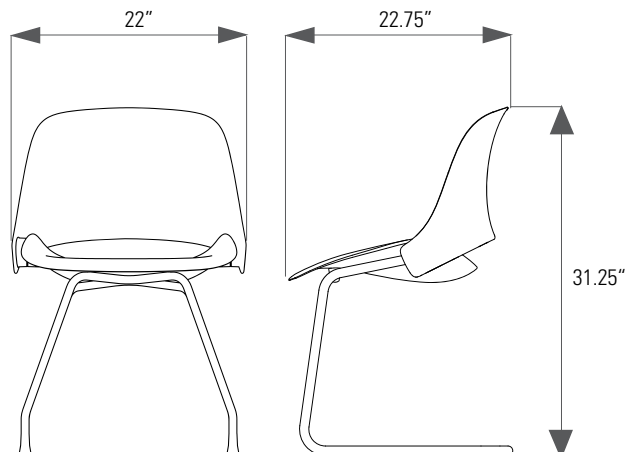
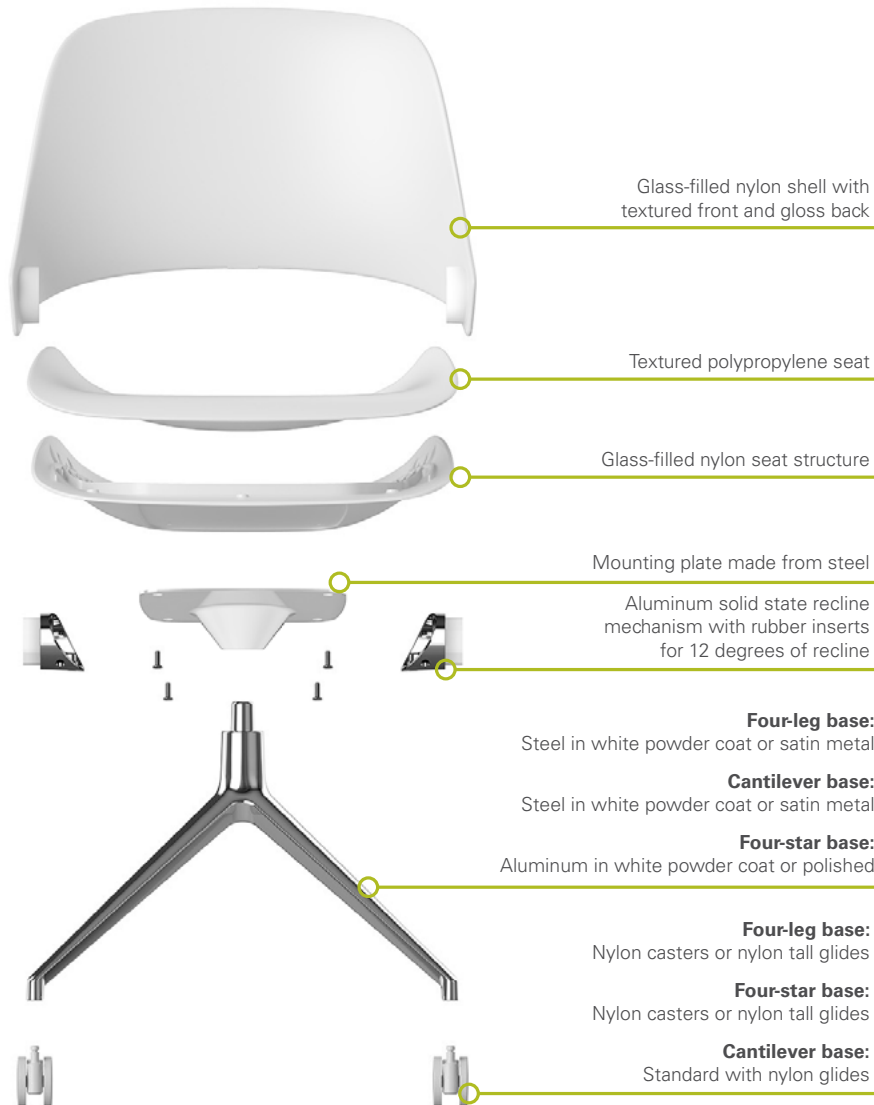
			Liberty 01	Smart 02	World 03
COMPONENT	CODE	Base Model Price	\$614	\$614	\$614
Frame Color	B	Black with Black Trim	-	-	-
	V	Silver with Gray Trim	-	N/A	-
	D	Silver with Dark Gray Trim	N/A	-	N/A
	T	Chrome 3 with Black Trim	\$70	\$70	N/A
	C	Chrome 3 with Gray Trim	\$70	N/A	N/A
	R	Chrome 3 with Dark Gray Trim	N/A	\$70	N/A
Backrest Mesh	M	Monofilament	-	-	-
	C	Silver Check	-	-	-
	N	Pinstripe	-	-	-
	A	Dash	-	-	-
	J	Catena	-	-	-
Mesh Color		See page 44 for mesh color options and codes			
Seat Textile		Textile Grade 1 (W,V,K,CF)	\$21	\$21	\$21
		Textile Grade 2 (FH)	\$52	\$52	\$52
		Textile Grade 3 (D)	\$104	\$104	\$104
Textile Color		See pages 42-44 and textile samples for color options and codes			
Fire Proofing	-	Standard Plastics & Foams	-	-	-
	C	CAL133 compliant	\$46	\$46	\$46
Shipping	-	Individually Boxed	-	-	-
	B	Blanket Wrapped	-	-	-



trea[™]

Created in collaboration with visionary designer Todd Bracher, Humanscale's Trea chair features a sophisticated design that embodies versatility. Engineered with an innovative solid state recline mechanism, Trea offers intuitive comfort, while its fresh yet classic aesthetic provides stylish support in office and home interiors. Available with a variety of base, finish and upholstery options, Trea can be customized for use in a variety of spaces.





WEIGHTS
• 20 lbs. (Four-leg)
• 21.75 lbs. (Cantilever)
• 20.5 lbs. (Four-star)



Build Your Product Code

COMPONENT	CODE		LIST PRICE
LINE	T	Trea	-
STYLE	10	Four Legs	\$499
	20	Cantilever	\$579
	30	Four Star	\$769
FRAME FINISH	W	White powder coat - Available with all base styles. Not available with Gray back/Gray seat.	-
	S	Satin Metal - Only available with Four Leg or Cantilever Bases	\$120
	P	Polished Aluminum - Only available with Four Star Bases	\$120
BACKREST SHELL COLOR	W	White	-
	G	Gray - Only available with Gray Seat Shell	-
SEAT SHELL COLOR	W	White - Only available with White Backrest Shell	-
	G	Gray	-
SEAT PAD TEXTILE	-	No Seat Pad Selected	-
		Textile Grade 1 (W,V,K,CF)	\$100
		Textile Grade 2 (F,H)	\$142
		Textile Grade 3 (D)	\$194
		Leather Grade 0 (Z)	\$395
		Leather Grade 1 (Q)	\$450
		Leather Grade 3 (R)	\$866
SEAT PAD TEXTILE COLOR	---	No Seat Pad Selected	-
		See pages 41-43 and textile samples for mesh color options and codes	-
CASTERS	G	Glides	-
	C	Hard Casters	\$30
	S	Soft Casters	\$35
	K	Hard Breaking Casters	\$40
	O	Soft Breaking Casters	\$45
FIREPROOFING	-	None - Standard Plastics & Foams	-

Only available with
Four Legs & Four Star



ballo™

A fun sitting solution, Ballo is a multipurpose stool that is ideal for a wide range of environments. Designed by Don Chadwick, it reinvents the exercise ball, with a design that is appropriate for workplace settings while offering easier storage. Promoting short-term, active sitting, Ballo also encourages low intensity physical activity and helps to reduce sedentary behavior.



AIR-FILLED TOP AND BOTTOM DOMES

- The top and bottom non-slip, dimpled air domes are made from a thermoplastic vulcanizate (TPV) material, rather than PVC that is the industry standard and can off-gas.

LIGHTWEIGHT

- Lightweight at just 13.5 pounds and with cleverly designed hand holds, Ballo can be easily moved from space to space.

HANDLE HOLDS

- Ballo comes with handle holds for easy portability.

CENTRAL COLUMN

- Ballo's cone and spool column made out of polypropylene

BODY FIT

- Air-filled, non-slip dimpled domes shape to the body and provide a comfortable sitting experience.

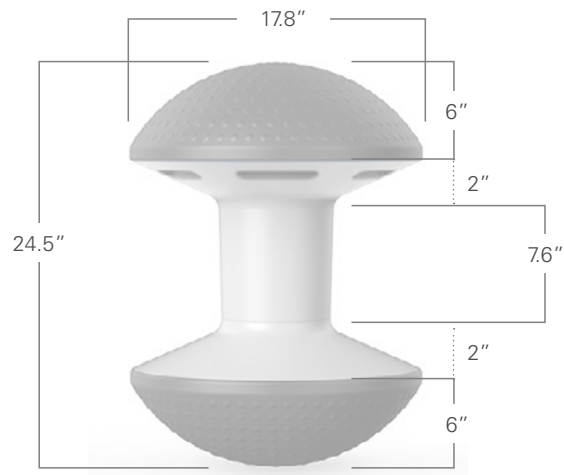
SAFE AND COMPACT

- Counterweighted base ensures Ballo remains upright for stable movement and convenient storage.

DURABLE AND ECO-FRIENDLY

- Ballo is made from eco-friendly, easy-clean and durable TPV materials which can be configured in various hues to add color to any space.
- Innovative spool-shaped central column is made from strong, long-lasting polypropylene and designed with clean lines to offer a modern aesthetic.

WEIGHT
• 13.5 lbs.
<i>NOTE: ALL DIMENSIONS MEASURED AT .35 PSI ON EACH DOME</i>



ballo™ Build Your Product Code

COMPONENT	CODE	BASE MODEL PRICE	\$399
LINE	B	Ballo	-
STYLE	10	Standard	-
DOME COLOR	B	Black	-
	R	Red	-
	G	Gray	-
	E	Green	-
	S	Sky Blue	-
	U	Blue	-
	Y	Yellow	-
BODY COLOR	W	White	-
FIREPROOFING	-	None	-
	C	CAL 133-Approved Foams and Plastics	\$20
SHIPPING	-	Individually Boxed	-

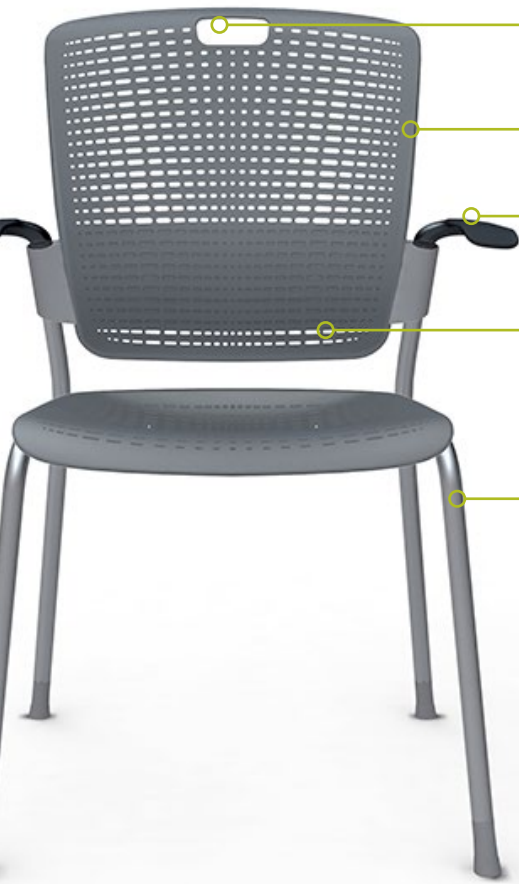
REPLACEMENT PARTS	CODE	PRICE
Ballo Accessories		
Ballo Pump	BALLO_PUMP	\$15
Ballo Needle	BALLO_NEEDLE	\$1

----- A needle is included with each Ballo Pump



cinto®

Appropriate for a wide range of commercial and residential environments, Cinto sets a new standard for ergonomic stackable seating through unique design and manufacturing innovations. Spanish for “belt,” Cinto features a floating backrest that is attached to the chair’s frame via a flexible belt, allowing it to move with the body to provide recline and automatic lumbar support. For cool seated comfort, air vents on the backrest and seat pan enable air circulation.



BACKREST HANDLE

- Provides easy transport

FLEXIBLE BACKREST

- Attached to the chair's frame via a flexible belt, the floating backrest bends and adjusts with the sitter
- Flexibility of backrest creates virtual pivot point for automatic lumbar support
- No adjustments required

ARMREST OPTIONS

- Armless
- Fixed arms

VENTED SEAT PAN AND BACKREST

- Promotes air circulation and prevents "hot spots"

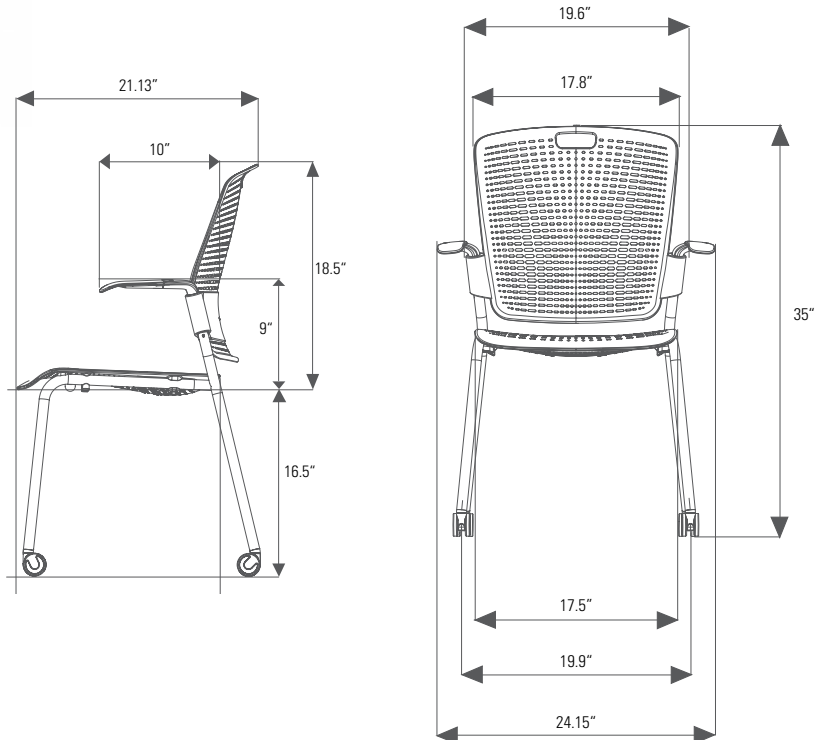
STACKABILITY

- Freestanding Cintos stack six chairs high
- Up to 15 chairs can be stacked on the optional Cinto Dolly

BASE OPTIONS

- Four legs on glides
- Four legs on casters

WEIGHT
<ul style="list-style-type: none"> • 9 lbs. Armless chair • 10 lbs. Fixed-Arm chair
CINTO DOLLY EMPTY
<ul style="list-style-type: none"> • Height 44" • Depth 41" • Width 26"
CINTO DOLLY FULLY STACKED WITH 15 CHAIRS
<ul style="list-style-type: none"> • Height 67" • Depth 41" • Width 26"
WEIGHT CAPACITY
<ul style="list-style-type: none"> • 300 lbs





Build Your Product Code

COMPONENT	CODE	BASE MODEL PRICE	\$225
LINE	C	Cinto	-
STYLE	1	Four Legs, Glides	-
	2	Four Legs, Casters	\$30
ARMRESTS	0	Armless	-
	5	Fixed Arms	\$50
FRAME COLOR	S	Silver	-
	B	Black	-
BACKREST, SEAT PAN COLOR	01	White	-
	10	Black	-
	15	Gray	-
	17	Taupe	-
	18	Light Gray	-
	33	Yellow	-
	41	Green	-
	52	Light Blue	-
	53	Blue	-
	72	Red	-
OPTIONAL SEAT PAD	—	No seat pad	-
	V101	Vellum Black	\$42
	V102	Vellum Graphite	\$42
	V414	Vellum Greenwood	\$42
	V713	Vellum Pomegranate	\$42
FIREPROOFING	—	Standard Plastics	-
	C	CAL 133-Approved	\$21

PARTS & ACCESSORIES	Code	CAL133 Available	Price
---------------------	------	------------------	-------

Replacement Parts			
Seat Pan	CRS 11		\$52
Seat Pan, CAL 133-Approved*	CRS 11	C	\$62
Seat Pad	CRP 4555		\$42
Casters (Black, Set of 4)	CRCAST		\$31
Glides (Set of 4)	CRGLIDE2		\$11
Arm Sleeves (Pair)	CRA 3		\$27
Retrofit Armrest Kit (Pair)	CKA 23		\$80

Accessories			
Cinto Dolly	CINTODLY		\$240

Any code containing a number refers to the component or textile that must be selected to order the replacement or retrofit part.

1 - Backrest, Seatpan Color; **2** - Frame Color (S-Silver, B-Black); **3** - Trim Color (G-Gray, B-Black); **4** - Upgrades (Standard Plastics, C-Fireproofing/ Cal 133 Approved)



Textiles

The cushions on all Humanscale chairs utilize advanced technology developed primarily for the sportswear and sporting goods industries. In a single step, a high-tech molding process combines the textile, foam or Technogel®, and plastic support shell into a single, modular unit which can be attached to our seating with four screws. Because of this advanced process, the textiles used on the cushions are as unique as the rest of the chair, and satisfy requirements more demanding than typical upholstery textiles.

TEXTILES

*Living Product Challenge Approved



WAVE		Code	Color
Textile Code: W	Textile Grade: 1	101	Black*
Developed initially for sportswear, Wave responds to the unique form and production requirements of Humanscale seating. This four-way stretch fabric exceeds all contract interior testing requirements for heavy-duty upholstery. The colors of Wave are taken from the phenomenal hues found in nature.		102	Graphite*
		507	Navy
		415	Sage

SENSUEDE		Code	Color
Textile Code: D	Textile Grade: 3	111	Ebony
Offering style and performance, Sensuede was developed to be the best and most luxurious engineered suede available. The silky feel is the result of recycled microfibers that are breathable, extra-strong, and resistant to most stains and wrinkles.		115	Pewter
		208	Chocolate
		305	Goldenrod
		406	Olive
		411	Pear
		413	Arbor
		517	Persian
		712	Oxblood

LOTUS		Code	Color
Textile Code: K	Textile Grade: 1	101	Black
Water repellant and easy to clean, Lotus is an ideal textile for the healthcare and hospitality environments. Its polyurethane finish with nylon backing boasts a soft texture that is pleasant to the touch while offering exceptional durability.		128	White
		158	Shale
		182	Hematite
		2C4	Umber
		281	Walnut
		302	Ochre
		459	Verdant
		507	Navy
		603	Plum
		608	Crocus
		624	Eggplant
		757	Earth Red
		758	Lucky Red

VELLUM		Code	Color
Textile Code: V	Textile Grade: 1	101	Black*
Constructed of a simple weave using a blend of nylon, Cordura and elastic yarn, this textile offers a pleasing texture and extreme durability. Because of the Cordura content, this four-way stretch woven textile performs to the rigors of the most demanding environments. The color palette includes brights, classics, and neutrals.		102	Graphite*
		106	Ash
		114	Light Gray
		202	Seal
		211	Beech
		212	Mahogany
		404	Moss
		407	Grass
		414	Greenwood
		507	Navy
		607	Periwinkle
		713	Pomegranate

GINKGO		Code	Color
Textile Code: F	Textile Grade: 2	101	Black
Composed of 90% Wool, Ginkgo offers a pleasing texture and durability. Its subtle and elegant pattern makes this textile appropriate for a variety of environments. Ginkgo comes in vibrant and saturated colors, expanding the scope of Human-scale's upholstery line.		197	Charcoal
		281	Walnut
		315	Wheat
		463	Green
		507	Navy
		556	Storm
		568	Horizon
		816	Harvest Orange

CORDE 4		Code	Color
Textile Code: CF	Textile Grade: 1	10	Black
Corde 4 is a four-way stretch design which moves with the sitter as they adjust positions in their chair, providing ultimate comfort. Its intricate weave structure, dimensional surface and wide array of neutral and vibrant shades are visually appealing and engaging to the touch.		12	Graphite
		21	Dark Brown
		52	Thalo
		56	Medium Gray
		57	Navy
		58	Azure
		78	Parma Red
		86	Pumpkin

LEATHERS

All Leather Options are Living Product Challenge Approved 

VICENZA

	Code	Color
Textile Code: Z Leather Grade: 0	101	Black
A lightly corrected, aniline-dyed leather produced from European hides, Vicenza receives a special retannage which enriches the leather and tightens the grain.	201	Dark Brown
A breathable protective finish offers durability and comfort.	214	Saddle
	506	Night Blue

CERVO

	Code	Color
Textile Code: R Leather Grade: 3	1A7	Sasso Nero
Cervo is thicker than the other leathers in our collection. Specialized milling adds additional character providing a soft pebble grain texture unmatched by any other leather in its class.	2F0	Montefalcone
	2E8	Aveto

BIZON

	Code	Color
Textile Code: Q Leather Grade: 1	111	Black
The innovative line of supple Bizon leathers has a thick, rich grain with excellent light fastness. Bizon offers a plain pigmented finish with exceptional strain protection and a very soft touch.	458	Terra
	429	Miso

Leather Stitching Options

	Code	Color
Choose a stitch color to match or contrast your choice of leather.	V	Vanilla
	M	Midnight
	N	Noir
	C	Coffee
	E	Espresso
	O	Oak
	T	Tan
A	Cocoa	

MESH

All Mesh Options are Living Product Challenge Approved



MONOFILAMENT STRIPE	Code	Color
Mesh Code: M	10	Black
Using only monofilament yarns that are thin and strong, a simple but classic stripe pattern is achieved through weave structure and yarn placement. This pattern has slight elasticity but terrific memory.	11	Carbon
	14	Platinum
	41	Green
	51	Atlantic
	81	Amber

SILVER CHECK	Code	Color
Mesh Code: C	12	Alloy
This unique translucent pattern is achieved using monofilament and a silver-plated yarn spun with polyester at its core. More than simply an aesthetic choice, the silver-plated yarn gives the textile flexibility and strength.	32	Topaz

PINSTRIPLE	Code	Color
Mesh Code: N	01	White
Designed specifically to work with the Diffrient World Chair, this lightweight fabric provides the strength and support of a much heavier mesh by using two different monofilament stretch yarns to provide proper support.	02	Silver
	03	Graphite
	10	Black
	34	Cadmium Yellow
	43	Citron
	58	Cyan
	74	Crimson

TEXTILE PURCHASE PROGRAM

All Humanscale textiles (with the exception of Leather, Sensuede) are available for purchase by the linear yard. The prices below are net (standard discounts do not apply). A \$20 cut charge will apply to each order. Please see your Humanscale representative for more information.

Wave	\$35/yd (61" width)
Monofilament Stripe	\$60/yd (50" width)
Vellum	\$45/yd (50" width)
Silver Check	\$70/yd (53" width)
Squiggle	\$25/yd (54" width)
Bridget Stripe	\$55/yd (55" width)
Lotus	\$36/yd (54" width)
Ginkgo	\$75/yd (51" width)
Dash	\$75/yd (48" width)
Pinstripe	\$65/yd (48" width)
Catena	\$60/yd (52" width)

CATENA	Code	Color
Mesh Code: J	10	Black
Catena's dense and rich hues are inspired by the vibrant spice markets of India. When used as a backrest textile, this proprietary non-stretch mesh provides a customized lumbar support through its tri-panel patented design that fits the user like a tailored shirt.	35	Bayberry
	50	Cornflower
	1A	Poppy Seed
	1B	Caraway

DASH	Code	Color
Mesh Code: A	14	Platinum
Designed to resemble embroidery floss, Dash is stronger, more responsive, lighter weight and uses less material than most mesh textiles. It gives the user support, comfort and ease of movement, while meeting Humanscale's seating requirements.	19	Zinc

CUSTOM COLORS

Textiles:

Most Humanscale textiles are available in any customer-specified color. Delivery time frames for custom color orders will depend on color approval. A surcharge of \$50 per chair will apply to custom color orders. The minimum order quantity for these fabrics are as follows:

Vellum, Wave, Lotus, Ginkgo:

Freedom Task + Headrest	200 chairs
Liberty Task	400 chairs
Diffrient Smart	400 chairs
Freedom Saddle	400 chairs
Freedom Pony Saddle	600 chairs

Non-Stocked Colors:

Vicenza, Cervo, Sensuede can be ordered in any color standard to these textile lines, even if it isn't stocked by Humanscale. Ordering any non-stocked color may impact the lead time for delivery. The minimum order quantity for these fabrics are as follows:

Sensuede:

Freedom Task + Headrest	50 chairs
Liberty Task	100 chairs
Diffrient Smart	100 chairs
Freedom Saddle	100 chairs
Freedom Pony Saddle	150 chairs

Vicenza, Bizon, Cervo:

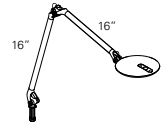
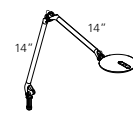
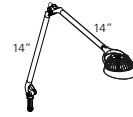
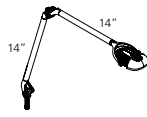
Freedom Task + Headrest	10 chairs
Liberty Task	20 chairs
Diffrient Smart	20 chairs
Freedom Saddle	20 chairs
Freedom Pony Saddle	20 chairs



Lighting

Task lighting is an integral part of the ergonomic workstation, and each of Humanscale's task lights provides exceptional levels of bright, comfortable light. Yielding both ergonomic and economic benefits, Humanscale's comprehensive lighting line fits any needs, whether you desire performance, efficiency, ease of use, or all of the above.

Build Your Element™ LED Light Product Code

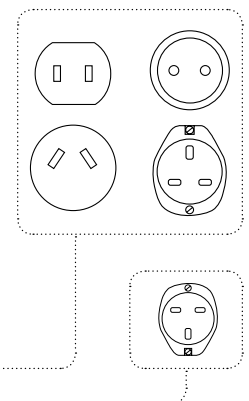


COMPONENT	CODE		790	Vision	Disc	Disc XL
STYLE	ED	Element 790 5-Watt Hi-Output MCX LED with Smart Dimmer	\$405	N/A	N/A	N/A
	EV	Element Vision: 7-Watt Hi-Output MCX LED with Smart Dimmer and Occupancy Sensor	N/A	\$479	N/A	N/A
	EC	Element Disc: 7-Watt Thin Film LED Technology with Smart Dimmer and Occupancy Sensor	N/A	N/A	\$519	N/A
	EX	Element Disc XL: Extended Arms, 7-Watt Thin Film LED Technology with Smart Dimmer and Occupancy Sensor	N/A	N/A	N/A	\$549
PLUG	E	North America	-	-	-	-
	U	Universal (4 interchangeable plugs)	\$4	\$4	\$4	\$4
	G	6-15P NEMA (specialty)	\$10	\$10	\$10	\$10
MOUNT (See next page for mount specifications)	C	Clamp	-	-	-	-
	G	Clamp with Grommet Cover	\$10	\$10	\$10	\$10
	T	2-Piece Clamp with Theft Deterrent	\$35	\$35	\$35	\$35
	PA	Panel Mount - Herman Miller Action Office	\$25	\$25	\$25	\$25
	PR	Panel Mount - Herman Miller Resolve	\$25	\$25	\$25	\$25
	PI	Panel Mount - Teknion IE	\$25	\$25	\$25	\$25
	U	Universal Panel Mount	\$25	\$25	\$25	\$25
	Y	Element Tech Base (2 - 120V outlets)	\$141	\$141	\$141	\$141
	X	Element Tech Base (1 USB + 1 120V)	\$136	\$136	\$136	\$136
	E	Steelcase C-Scape Mount Kit	\$25	\$25	\$25	\$25
	W	Wall Mount	-	-	-	-
	A	Humanscale Access Rail	-	-	-	-
	B	Element Desktop Base	\$50	\$50	\$50	\$50
	R	Direct with Theft Deterrent	\$25	\$25	\$25	\$25
S	Universal Slatwall	-	-	-	-	
N	No Mount	-	-	-	-	
COLOR	S	Silver (semi-matte)	-	-	-	-
	W	Arctic White (high gloss)	-	-	-	-
	B	Jet Black (semi-matte)	\$25	\$25	\$25	\$25
OPTIONAL ACCESSORIES	Q	Extension Cord 10' (300 cm)	\$10	\$10	\$10	\$10
	H	External Power Switch, North America	\$15	\$15	\$15	\$15

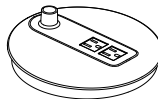
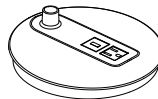
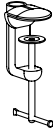

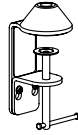
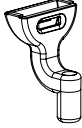

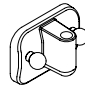
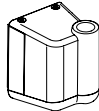
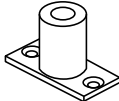

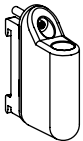


ELEMENT LIGHT REPLACEMENT PARTS (if purchased seperately)

Element Desktop Base	ELBS (silver) ELBW (white) ELBB (black)	\$85	Direct with Theft Deterrent	ELRS (silver) ELRB (black) ELRW (white)	\$60
Element Tech Base (1 USB + 1-120V outlet)	ELXW (white) ELXB (black) ELXS (silver)	\$200	Universal Panel Mount	DLUS (silver) DLUB (black) ELUW (white)	\$60
Element Tech Base (2-120V outlets)	ELYW (white) ELYB (black) ELYS (silver)	\$220	Panel Mount <small>(1): Panel System Code, (2): Color (B or S)</small>	DL(1 1 2)	\$60
Humanscale Access Rail	DLAS (silver) DLAB (black)	\$35	Steelcase C-Scape Mount Kit	ELES	\$60
Clamp	DLCS (silver) ELCW (white) DLCB (black)	\$35	Extension Cord 10' (300 cm)	ELCORD10	\$18
2-Piece Clamp with Theft Deterrent	ELTS (silver), ELTB (black) ELTW (white)	\$75	External Power Switch	ELSWITCH	\$26
Wall	DLWS (silver) DLSB (black)	\$35	Grommet Cover <i>For use with Clamp Mount C</i>	DLGC (black)	\$10
			North American Plug Set	ELPLUGE	\$35
			Universal Plug Set	ELPLUGU	\$50
			6-15P NEMA Plug Set	ELPLUGG	\$75

NOTE:
Element Classic EL light is available by special order only.



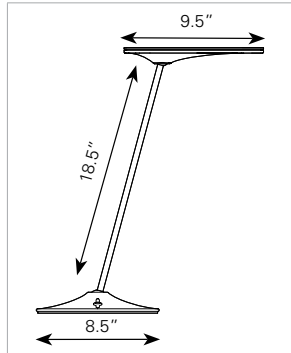
ELEMENT LIGHT MOUNT OPTIONS

		
<p>B \$50</p> <p>Element Desktop Base 8" (200 mm) diameter</p>	<p>Y \$141</p> <p>Element Tech Base (2-120V convenience outlets) 8" (200 mm) diameter. Two three- pronged outlets. 8 Amps maximum total load.</p>	<p>X \$136</p> <p>Element Tech Base (1 USB + 1-120V convenience outlet) 8" (200 mm) diameter. One USB port and one three-pronged outlet. 8 Amps maximum total load.</p>
		
<p>C N/C</p> <p>Clamp For grommet or edge mount. Fits surfaces up to 2" (50 mm) thick and grommet holes 2" (50 mm) wide.</p>	<p>G \$12</p> <p>Clamp with Grommet Cover For grommet holes 2" – 3.25" (50-80 mm) in diameter. Grommet cover ships Black.</p>	<p>T \$35</p> <p>2-Piece Clamp with Theft Deterrent Requires minimum 1/4" (6 mm) clear- ance between desk and wall or panel. (Replaces Mount "K")</p>
		
<p>A N/C</p> <p>Humanscale Access Rail</p>	<p>R \$25</p> <p>Direct with Theft Deterrent Screws into horizontal surface. (Replaces Mount "D")</p>	<p>S N/C</p> <p>Universal Slatwall Adjusts to fit most standard slatwalls.</p>
		
<p>U \$25</p> <p>Universal Panel Mount Adjusts to fit most panels that use vertical slotted rails for mounting ac- cessories. Not compatible with corner applications.</p>	<p>E \$25</p> <p>Steelcase C-Scape Mount Kit Ships Silver for all orders.</p>	<p>W N/C</p> <p>Wall Screws into vertical surface.</p>
		
<p>PA \$25</p> <p>Panel Mount for Herman Miller Action Office</p>	<p>PR \$25</p> <p>Panel Mount for Herman Miller Resolve</p>	<p>PI \$25</p> <p>Panel Mount for Teknion IE</p>

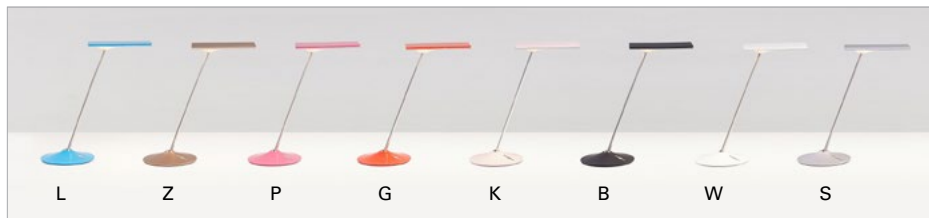
NOTE: The above systems are special and do not work with the Universal Panel Mount (U). Not compatible with corner mount applications.

Color Note: All Silver lights ship with Silver mounts. All Black lights ship with Black mounts. All White lights ship with White mounts, except panel mounts (PA, PR, PI), Access Rail (A), and wall mounts (W), which ship Silver.


Build Your Horizon™ LED Light Product Code



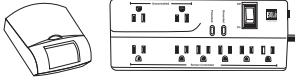
COMPONENT	CODE		HORIZON
STYLE	HNB	Horizon Light: 9-Watt Thin Film LED Technology with Smart Dimmer, Base Style	\$475
PLUG	E	North America	-
	U	Universal (4 interchangeable plugs)	\$4
	G	6-15P NEMA (specialty)	\$10
COLOR	S	Silver (semi-matte)	-
	W	Arctic White (high gloss)	-
	B	Jet Black (semi-matte)	-
	L	Twilight Blue (high gloss)	-
	P	Dusk Pink (dark pink) (high gloss)	-
	K	Morning Pink (light pink) (high gloss)	-
	G	Sunrise Orange (high gloss)	-
	Z	Bronze Gold (semi-matte)	-



SERVICE AND REPLACEMENT PARTS FOR DIFFRIENT SERIES TASK, WORK AND TECHNOLOGY LIGHTS

DESKTOP BASE FOR ALL DIFFRIENT TASK LIGHTS (DA, DT, DX AND DW SERIES)		
	DLBS (silver) DLBB (black)	\$125
Diffrient Desktop Base		
WORK LIGHT II AND TECHNOLOGY LIGHT LAMP REPLACEMENT (DX & DTECH SERIES)		
Lamp (18W, 3500K, screw-in base)	DLCFL1	\$8
TASK LIGHT II AND TECHNOLOGY LIGHT LAMP REPLACEMENT (DA SERIES & DTECH SERIES)		
Lamp (18W, 3500K, GU24 base, 2-pin bayonet)	DLSLIMA	\$8
ORIGINAL TASK AND WORK LIGHT LAMP REPLACEMENT (DT & DW SERIES)		
Lamp (26W, 3500K, 4-Pin Base)	DLBULB	\$22

GENERAL LIGHTING ACCESSORIES

OCCUPANCY SENSOR POWER STRIP		
	OCCSTRIP	\$240
8-outlet power strip with energy-saving personal occupancy sensor		

NOTE:
For all other mount styles (non-base), see Element Light Replacement Parts on the previous page.



M/Connect

The M/Connect USB 3.0, dual-video docking station is a unique innovation that merges ergonomics and technology. Available with Humanscale's M2, M8, and M/Flex monitor arms, M/Connect gives easy access to user ports and conceals IT ports to eliminate cable clutter. The monitor arm dock improves comfort, health, and productivity while offering instant use of all devices through DisplayLink®'s universal Plug and Display™ connection. M/Connect is at the heart of the effortlessly connected, active workspace.

M/Connect Build Your Product Code For M2/M8

			List Price	
COMPONENT	CODE		M2	M8
PRODUCT GROUP	M2	M2 Monitor Arm	-	-
	M8	M8 Monitor Arm	-	-
MOUNT	M	M/Connect Dock with Integrated Clamp Mount	\$514	\$535
COLOR	S	Silver with Gray Trim	-	-
	W	Polished Aluminum with White Trim	-	-
	B	Black with Black Trim	-	-
ARM STYLE	1	Fixed Angled Link/Dynamic Link	\$239	\$403
	E	Fixed Angled Link/Dynamic Link Light	\$239	N/A
END STYLE	S	Standard Ball Joint only	-	-
	C	Crossbar for 2 monitors	N/A	\$143
	H	Crossbar with Handle for 2 monitors	N/A	\$228
	W	Long Crossbar for 2 monitors	N/A	\$200
	L	Long Crossbar with Handle for 2 monitors	N/A	\$285
VESA PLATE	-	Standard 100mm x 100mm (also used for 75mm x 75mm)	-	-
	1	100mm x 200mm	\$22	\$22
	2	200mm x 200mm	\$35	\$35
	3	200mm x 400mm	\$45	\$45
	N	Notebook Holder	\$159	\$159
	D	Drop Down VESA Plate	-	-
INDIVIDUAL PACKAGING	-	All M/Connects Individually Packaged	-	-
M/CONNECT PLUG STYLE	NA	North America	-	-
	EU	Europe	-	-
	UK	UK	-	-
	AU	Australia	-	-
	JP	Japan	-	-
	SK	South Korea	-	-
	IN	India	-	-
	ML	Malaysia	-	-
	HK	Hong Kong	-	-
	SP	Singapore	-	-
	TH	Thailand	-	-
	TW	Taiwan	-	-
	PH	Philippines	-	-
	SA	South Africa	-	-
	CH	China	-	-
M/CONNECT CABLE COVERS	-	No Cable Covers	-	-
	C	Cable Covers for Undersurface Dock – Set of 2	\$40	\$40

M/Connect Retrofit for M2 / M8

CODE	DESCRIPTION	LIST PRICE
CR2XYY	Retrofit M/Connect for M2, includes clamp mount; specify Color X and Regional Code YY. No Cable Covers.	\$568
CR2XYC	Retrofit M/Connect for M2, includes clamp mount; specify Color X and Regional Code YY. Includes Cable Covers, set of 2.	\$608
CR8XYY	Retrofit M/Connect for M8, includes clamp mount; specify Color X and Regional Code YY. No Cable Covers.	\$589
CR8XYC	Retrofit M/Connect for M8, includes clamp mount; specify Color X and Regional Code YY. Includes Cable Covers, set of 2.	\$629
CRCX	Cable Covers for Undersurface Dock – Set of 2. Specify Color X	\$40

M/Connect Build Your Product Code M/Flex

			List Price	
COMPONENT	CODE		M2	M8
PRODUCT GROUP	MF2	M/Flex for M2 Arms	-	N/A
	MF8	M/Flex for M8 Arms	N/A	-
BRACKET	1	Base Bracket for 1 Monitor	\$53	\$74
	2	Brackets for 2 Monitors	\$106	\$159
	3	Brackets for 3 Monitors	\$149	\$186
COLOR	S	Silver with Gray Trim	-	-
	B	Black with Black Trim	-	-
	W	Polished Aluminum with White Trim	-	-
ARM STYLE	0	Ball Joint Turret	\$53	\$58
	1	Fixed Angled Link/Dynamic Link	\$239	\$403
	2	8" Straight Link/Dynamic Link	\$239	\$403
	3	8" Straight Link/8" Straight Link	\$143	\$202
	4	Fixed Angled Link/8" Straight Link	\$154	\$234
	5	Single Dynamic Link Only	\$191	\$255
	6	Single 8" Straight Link Only	\$74	\$143
	7	Single Fixed Angled Link Only	\$74	\$143
	8	12" Straight Link / Dynamic Link	\$260	\$424
	9	12" Straight link / 12" Straight Link	\$186	\$275
	A	Fixed angled Link / 12" Straight Link	\$175	\$255
	B	8" Straight Link / 12" Straight Link	\$164	\$222
	C	Single 12" Straight Link	\$96	\$164
	D	Fixed Angled Link/Dynamic Link w/ Crossbar	N/A	\$546
	E	Fixed Angled Link/Dynamic Link Light	\$239	N/A
	F	8" Straight Link/Dynamic Link Light	\$239	N/A
	G	Single Dynamic Link Light Only	\$191	N/A
	H	12" Straight Link / Dynamic Link Light	\$260	N/A
X	No Arm	-	-	
MOUNT	M	M/Connect Dock with Integrated Clamp Mount	\$520	\$520
POST HEIGHT	12	12" High Post	\$43	\$43
	18	18" High Post	\$74	\$74
	24	24" High Post (Two 12" High Stackable Posts)	\$86	\$86
	30	30" High Post (12" and 18" High Stackable Posts)	\$117	\$117
	36	36" High Post (Two 18" High Stackable Posts)	\$148	\$148
	N	No Post	-	-
VESA PLATE	-	Standard 100mm x 100mm (also used for 75mm x 75mm)	-	-
	1	100mm x 200mm	\$22	\$22
	2	200mm x 200mm	\$35	\$35
	3	200mm x 400mm	\$45	\$45
	N	Notebook Holder	\$159	\$159
	D	Drop Down VESA Plate	-	-
POST STOP	-	No Post Stop	-	-
	P	Post Stop	\$43	\$43
INDIVIDUAL PACKAGING	-	All M/Connects Individually Packaged	-	-

NOTE: When specifying 2-row high posts, the upper arm must be configured as a separate line item; should have no mount and no post.

EXAMPLE: MF22S33NN, M/Flex for M2, 2 Brackets, silver, Straight/Straight on left, Straight/Straight on right, No Mount, No Post.

M/Connect Build Your Product Code M/Flex

COMPONENT	CODE		List Price	
			M2	M8
M/CONNECT PLUG STYLE	NA	North America	-	-
	EU	Europe	-	-
	UK	UK	-	-
	AU	Australia	-	-
	JP	Japan	-	-
	SK	South Korea	-	-
	IN	India	-	-
	ML	Malaysia	-	-
	HK	Hong Kong	-	-
	SP	Singapore	-	-
	TH	Thailand	-	-
	TW	Taiwan	-	-
	PH	Philippines	-	-
	SA	South Africa	-	-
	CH	China	-	-
M/CONNECT CABLE COVERS	-	No Cable Covers	-	-
	C	Cable Covers for Undersurface Dock – Set of 2	\$40	\$40

M/Connect Retrofit for M/Flex

CODE	DESCRIPTION	LIST PRICE
CRFXYY	Retrofit M/Connect for M/Flex, includes clamp mount; specify Color X and Regional Code YY. No Cable Covers.	\$575
CRFXYYC	Retrofit M/Connect for M/Flex, includes clamp mount; specify Color X and Regional Code YY. Includes Cable Covers. Set of 2.	\$615
CRCX	Cable Covers for Undersurface Dock – Set of 2. Specify Color X	\$40

M/Connect Monitor Cables

CODE	DESCRIPTION (Dock to Monitor)	LIST PRICE
CA-DPHD	Replacement Cable, DisplayPort to HDMI	\$30
CA-HDDV	Replacement Cable, HDMI to DVI	\$15
CA-DPDV	Replacement Cable, DisplayPort to DVI	\$35
CA-HDVG	Replacement Cable, HDMI to VGA	\$45
CA-DPVG	Replacement Cable, DisplayPort to VGA	\$55

NOTE: Note: First listed cable is the M/Connect dock end, second listed cable is monitor end. CA-DPHD cannot be used with HDMI plugged into M/Connect dock.

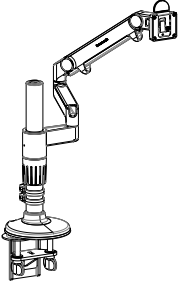
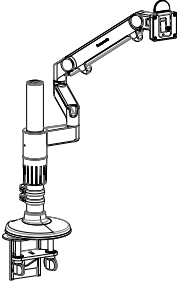
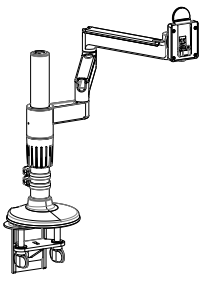
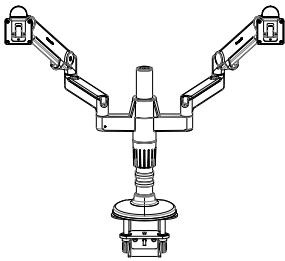
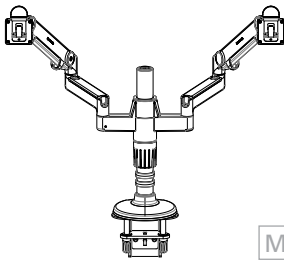
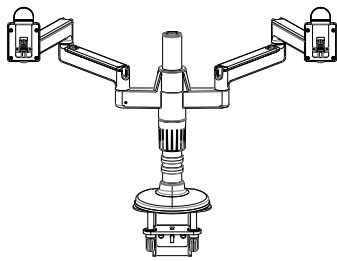
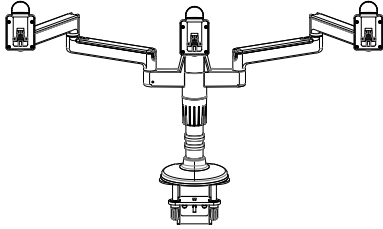
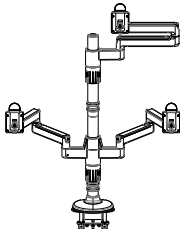
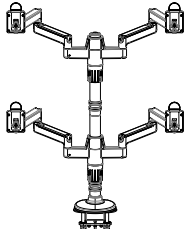
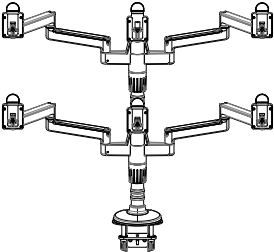


Monitor Arms

Flat panel monitors are transforming the landscape of both home and corporate offices, but their greatest advantage is that they can be easily mounted to an adjustable arm. Featuring effortless adjustment, extreme stability and sleek looks, all of Humanscale's monitor arms allow you to get the most out of your flat panel monitor investment. They provide almost effortless adjustment and create significant space savings. In addition, an adjustable arm allows the monitor to be moved out of the way to create extra desk space for non-computer-related work.



M/FLEX COMMON CONFIGS

		
<p>MF2AX \$431</p> <p>12" Post, Clamp Mount, Adjustable Bracket for One Monitor, (1) #2 Style Arm (Straight/Dynamic)</p>	<p>MF2JX \$431</p> <p>12" Post, Clamp Mount, Adjustable Bracket for One Monitor, (1) F Style Light Arm (Straight/Dynamic)</p>	<p>MF2BX \$335</p> <p>12" Post, Clamp Mount, Adjustable Bracket for One Monitor, (1) #3 Style Arm (Straight/Straight)</p>
		
<p>MF2CX \$723</p> <p>12" Post, Clamp Mount, (2) Adjustable Brackets for Two Monitors (2) #2 Style Arms (Straight/Dynamic)</p>	<p>MF2KX \$723</p> <p>12" Post, Clamp Mount, (2) Adjustable Brackets for Two Monitors (2) F Style Light Arms (Straight/Dynamic)</p>	<p>MF2DX \$531</p> <p>12" Post, Clamp Mount, (2) Adjustable Brackets for Two Monitors (2) #3 Style Arms (Straight/Straight)</p>
		
<p>MF2EX \$627</p> <p>12" Post, Clamp Mount, (3) Adjustable Brackets for Three Monitors (2) #3 Style Arms (Straight/Straight) and Ball Joint Turret</p>	<p>MF2FX \$770</p> <p>24" Post, Clamp Mount, 2-Row High Adjustable Brackets for 1 Over 2 Configuration, (3) #3 Style Arms (Straight/Straight)</p>	<p>MF2GX \$966</p> <p>24" Post, Clamp Mount, 2-Row High Adjustable Brackets for 2 Over 2 Configuration, (4) #3 Style Arms (Straight/Straight)</p>
	<p>NOTE: X denotes color. Substitute S for Silver with gray trim, W for Polished with white trim or B for all black.</p>	
<p>MF2HX \$1,158</p> <p>24" Post, Clamp Mount, 2-Row High Adjustable Brackets for 3 Over 3 Configuration, (4) #3 Style Arms (Straight/Straight), 2 Ball Joint Turrets</p>		

M/FLEX Build Your Product Code

			List Price	
COMPONENT	CODE		M2	M8
PRODUCT GROUP	MF2	M/Flex for M2 Arms	-	N/A
	MF8	M/Flex for M8 Arms	N/A	-
BRACKET	1	Base Bracket for 1 Monitor	\$53	\$74
	2	Brackets for 2 Monitors	\$106	\$159
	3	Brackets for 3 Monitors	\$149	\$186
COLOR	S	Silver with Gray Trim	-	-
	B	Black with Black Trim	-	-
	W	Polished Aluminum with White Trim	-	-
ARM STYLE	0	Ball Joint Turret	\$53	\$58
	1	Fixed Angled Link/Dynamic Link	\$239	\$403
	2	8" Straight Link/Dynamic Link	\$239	\$403
	3	8" Straight Link/8" Straight Link	\$143	\$202
	4	Fixed Angled Link/8" Straight Link	\$154	\$234
	5	Single Dynamic Link Only	\$191	\$255
	6	Single 8" Straight Link Only	\$74	\$143
	7	Single Fixed Angled Link Only	\$74	\$143
	8	12" Straight Link / Dynamic Link	\$260	\$424
	9	12" Straight link / 12" Straight Link	\$186	\$275
	A	Fixed angled Link / 12" Straight Link	\$175	\$255
	B	8" Straight Link / 12" Straight Link	\$164	\$222
	C	Single 12" Straight Link	\$96	\$164
	D	Fixed Angled Link/Dynamic Link w/ Crossbar	-	\$546
	E	Fixed Angled Link/Dynamic Link Light	\$239	N/A
	F	8" Straight Link/Dynamic Link Light	\$239	N/A
	G	Single Dynamic Link Light Only	\$191	N/A
H	12" Straight Link / Dynamic Link Light	\$260	N/A	
X	No Arm	-	-	
MOUNT	C	Clamp Mount	\$96	\$96
	B	Bolt-Thru Mount	\$53	\$53
	S	Universal Slatwall Mount	\$116	\$116
	H	Hardwall Mount	\$116	\$116
	P	c:scape Mount	\$106	\$106
	D	Dual Mount - Clamp + Bolt-Through Mount	\$122	\$122
	F	Frame One Mount	\$116	\$116
	M	M/Connect Dock with Integrated Clamp Mount	\$520	\$520
	N	No Mount	-	-
POST HEIGHT	12	12" High Post	\$43	\$43
	18	18" High Post	\$74	\$74
	24	24" High Post (Two 12" High Stackable Posts)	\$86	\$86
	30	30" High Post (12" and 18" High Stackable Posts)	\$117	\$117
	36	36" High Post (Two 18" High Stackable Posts)	\$148	\$148
	N	No Post	-	-
VESA PLATE	-	Standard 100mm x 100mm (also used for 75mm x 75mm)	-	-
	1	100mm x 200mm	\$22	\$22
	2	200mm x 200mm	\$35	\$35
	3	200mm x 400mm	\$45	\$45
	N	Notebook Holder	\$159	\$159
	D	Drop Down VESA Plate	-	-
POST STOP	-	No Post Stop	-	-
	P	Post Stop	\$43	\$43

NOTE: When specifying 2-row high posts, the upper arm must be configured as a separate line item; should have no mount and no post.

EXAMPLE: MF22S33NN, M/Flex for M2, 2 Brackets, silver, Straight/Straight on left, Straight/Straight on right, No Mount, No Post.

M/FLEX Build Your Product Code (cont.)

			List Price	
COMPONENT	CODE		M2	M8
INDIVIDUAL PACKAGING	-	Standard packaging for orders of 3 or more <i>(Choose if using M/Connect)</i>	-	-
	IND	Individual packaging for all units in an order	\$12	\$12
M/CONNECT PLUG STYLE <i>(M/Connect Only)</i>	--	None <i>(Choose if not using M/Connect)</i>	-	-
	NA	North America	-	-
	EU	Europe	-	-
	UK	UK	-	-
	AU	Australia	-	-
	JP	Japan	-	-
	SK	South Korea	-	-
	IN	India	-	-
	ML	Malaysia	-	-
	HK	Hong Kong	-	-
	SP	Singapore	-	-
	TH	Thailand	-	-
	TW	Taiwan	-	-
	PH	Philippines	-	-
	SA	South Africa	-	-
CH	China	-	-	
M/CONNECT CABLE COVERS	-	No Cable Covers	-	-
	C	Cable Covers for Undersurface Dock – Set of 2 <i>(Option only available with M/Connect)</i>	\$40	\$40

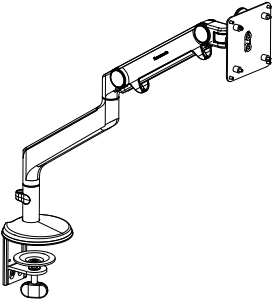
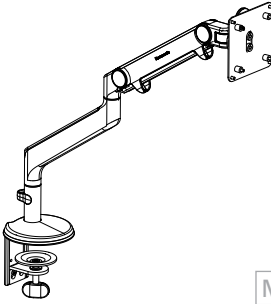
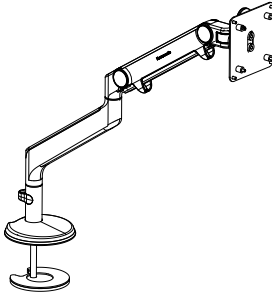
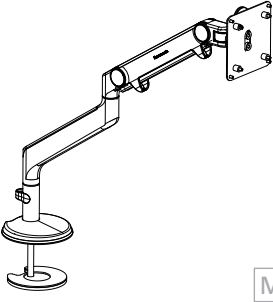
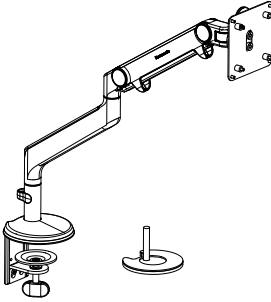
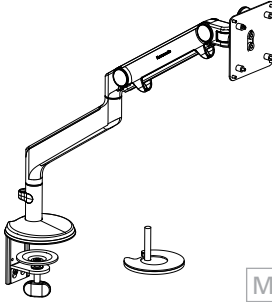
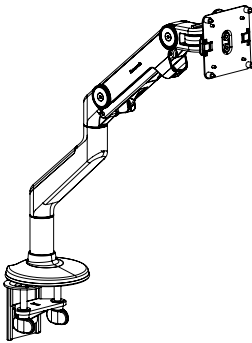
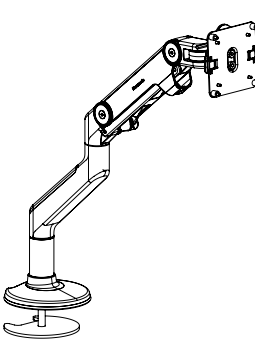
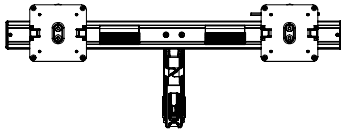
List price per unit

M/FLEX Add On

			List Price	
COMPONENT	CODE		M2	M8
PRODUCT GROUP	AD2	M/Flex Add-Ons for M2 Arms	-	N/A
	AD8	M/Flex Add-Ons for M8 Arms	N/A	-
BRACKET	2	Bracket for 2nd Monitor	\$53	\$85
	3	Bracket for 3rd Monitor	\$43	\$27
COLOR	S	Silver with Gray Trim	-	-
	B	Black with Black Trim	-	-
	W	Polished Aluminum with WhiteTrim	-	-
ARM STYLE	0	Ball Joint Turret	\$53	\$58
	1	Fixed Angled Link/Dynamic Link	\$239	\$403
	2	8" Straight Link/Dynamic Link	\$239	\$403
	3	8" Straight Link/8" Straight Link	\$143	\$202
	4	Fixed Angled Link/8" Straight Link	\$154	\$234
	5	Single Dynamic Link Only	\$191	\$255
	6	Single 8" Straight Link Only	\$74	\$143
	7	Single Fixed Angled Link Only	\$74	\$143
	8	12" Straight Link / Dynamic Link	\$260	\$424
	9	12" Straight link / 12" Straight Link	\$186	\$275
	A	Fixed angled Link / 12" Straight Link	\$175	\$255
	B	8" Straight Link / 12" Straight Link	\$164	\$222
	C	Single 12" Straight Link	\$96	\$164
	E	Fixed Angled Link/Dynamic Link Light	\$239	N/A
	F	8" Straight Link/Dynamic Link Light	\$239	N/A
	G	Single Dynamic Link Light Only	\$191	N/A
H	12" Straight Link / Dynamic Link Light	\$260	N/A	
MOUNT	N	No Mount	-	-
POST HEIGHT	N	No Post	-	-
POST STOP	P	Only Available on double or triple configurations	\$43	\$43
	-	No Post Stop	-	-

NOTE: When adding a 2nd monitor to a single Base Bracket or 3rd monitor to 2 brackets, use prefix AD2 and specify each bracket/arm style separately.

M2/M8 COMMON CONFIGS

		
<p>M2CX \$329</p> <p>M2 with Clamp Mount</p>	<p>M2ECX \$329</p> <p>M2 Light with Clamp Mount</p>	<p>M2BX \$329</p> <p>M2 with Bolt-Through Mount</p>
		
<p>M2EBX \$329</p> <p>M2 Light with Bolt-Through Mount</p>	<p>M2DX \$355</p> <p>M2 with Dual Mount</p>	<p>M2EDX \$355</p> <p>M2 Light with Dual Mount</p>
		
<p>M8CX \$514</p> <p>M8 with Clamp Mount</p>	<p>M8BX \$514</p> <p>M8 with Bolt-Through Mount</p>	<p>M8CX-C \$657</p> <p>M8 with Clamp Mount and Crossbar</p>
		<p>M8BX-C \$657</p> <p>M8 with Bolt-Through Mount and Crossbar</p>

NOTE: X denotes color. Substitute S for Silver with gray trim, W for Polished with white trim or B for all black.

M2/M8 Build Your Product Code

			List Price	
COMPONENT	CODE		M2	M8
PRODUCT GROUP	M2	M2 Monitor Arm	-	-
	M8	M8 Monitor Arm	-	-
MOUNT	N	No Mount	-	-
	C	Two-Piece Clamp Mount with Base	\$90	\$111
	B	Bolt-Through Mount with Base	\$90	\$111
	S	Universal Slatwall Mount	\$90	\$111
	H	Direct Hardwall Mount	\$90	\$111
	D	Dual Mount – Clamp & Bolt-Through Mount	\$116	\$138
	F	Frame One Mount	\$106	\$116
	P	c:Scape Mount	\$106	\$116
	M	M/Connect Dock with Integrated Clamp Mount <i>(Use Arms styles 1 or E only for M2 and arm style 1 only for M8 with M/Connect)</i>	\$514	\$535
COLOR	S	Silver with Gray Trim	-	-
	W	Polished Aluminum with White Trim	-	-
	B	Black with Black Trim	-	-
ARM STYLE	0	Ball Joint Only	\$53	\$58
	1	Fixed Angled Link/Dynamic Link	\$239	\$403
	2	8" Straight Link/Dynamic Link	\$239	\$403
	3	8" Straight Link/8" Straight Link	\$143	\$202
	4	Fixed Angled Link/8" Straight Link	\$154	\$234
	5	Single Dynamic Link Only	\$191	\$255
	6	Single 8" Straight Link Only	\$74	\$143
	7	Single Fixed Angled Link Only	\$74	\$143
	8	12" Straight Link / Dynamic Link	\$260	\$424
	9	12" Straight link / 12" Straight Link	\$186	\$275
	A	Fixed angled Link / 12" Straight Link	\$175	\$255
	B	8" Straight Link / 12" Straight Link	\$164	\$222
	C	Single 12" Straight Link	\$96	\$164
	E	Fixed Angled Link/Dynamic Link Light	\$239	N/A
	F	8" Straight Link/Dynamic Link Light	\$239	N/A
	G	Single Dynamic Link Light Only	\$191	N/A
H	12" Straight Link / Dynamic Link Light	\$260	N/A	
END STYLE	S	Standard Ball Joint only	-	-
	C	Crossbar for 2 monitors	N/A	\$143
	H	Crossbar with Handle for 2 monitors	N/A	\$228
	W	Long Crossbar for 2 monitors	N/A	\$200
	L	Long Crossbar with Handle for 2 monitors	N/A	\$285
VESA PLATE	-	Standard 100mm x 100mm (also used for 75mm x 75mm)	-	-
	1	100mm x 200mm	\$22	\$22
	2	200mm x 200mm	\$35	\$35
	3	200mm x 400mm	\$45	\$45
	N	Notebook Holder	\$159	\$159
	D	Drop Down VESA Plate	-	-
INDIVIDUAL PACKAGING	-	Standard bulk packaging for orders of 3 or more units <i>(Choose if using M/Connect)</i>	-	-
	IND	Individual Packaging for all units in an order	\$12	\$12

Only available with arm styles 1,2,5,8

List price per unit

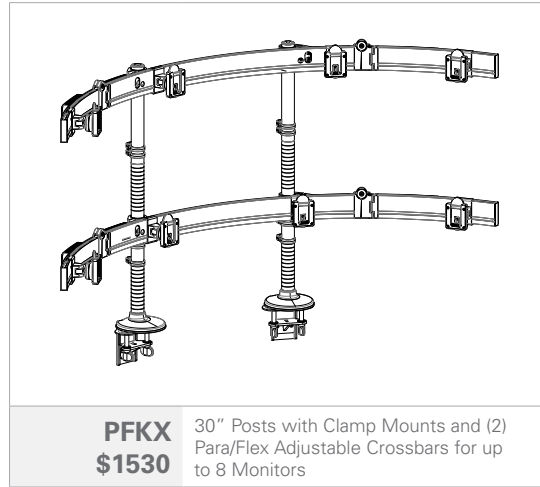
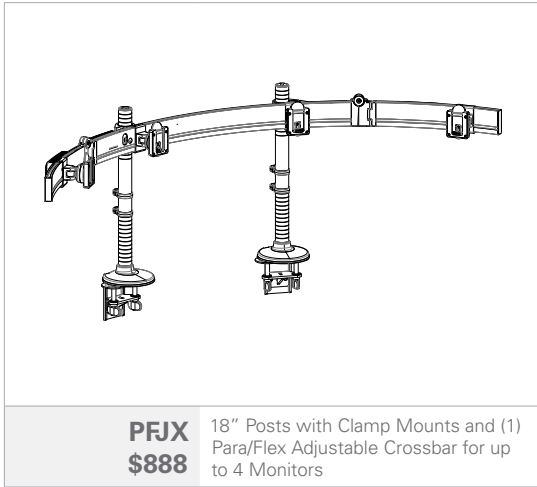
M2/M8 Build Your Product Code (cont.)

			List Price	
COMPONENT	CODE		M2	M8
M/CONNECT PLUG STYLE <i>(M/Connect Only)</i>	--	None <i>(Choose if not using M/Connect)</i>	-	-
	NA	North America	-	-
	EU	Europe	-	-
	UK	UK	-	-
	AU	Australia	-	-
	JP	Japan	-	-
	SK	South Korea	-	-
	IN	India	-	-
	ML	Malaysia	-	-
	HK	Hong Kong	-	-
	SP	Singapore	-	-
	TH	Thailand	-	-
	TW	Taiwan	-	-
	PH	Philippines	-	-
	SA	South Africa	-	-
	CH	China	-	-
M/CONNECT CABLE COVERS	-	No Cable Covers	-	-
	C	Cable Covers for Undersurface Dock – Set of 2 <i>(Option only available with M/Connect)</i>	\$40	\$40

Monitor Arm Accessories

COMPONENT	CODE		LIST PRICE
FRONT-END ADJUSTER	UFEA-S-M8 ²	Universal Front-End Adjuster for M2 and M8 - Silver	\$138
MOUNTS	M2CM-X	M2 Clamp Mount with Base	\$90
<i>* "X" denotes color</i>	M8CM-X	M8 Clamp Mount with Base	\$111
	M2BT-X	M2 Bolt-Through Mount with Base	\$90
	M8BT-X	M8 Bolt-Through Mount with Base	\$111
	M2SM-X	M2 Universal Slatwall Mount	\$90
	M8SM-X	M8 Universal Slatwall Mount	\$111
	M2HW-X	M2 Direct Hardwall Mount	\$90
	M8HW-X	M8 Direct Hardwall Mount	\$111
	MFP-X	M/Flex C:Scape Mount	\$106
	MFF-X	M/Flex Frame One Mount	\$116
	M2P-X	M2 C:Scape Mount	\$106
	M2FX	M2 Frame One Mount	\$106
	M8P-X	M8 C:Scape Mount	\$116
	M8FX	M8 Frame One Mount	\$116
M8 CONVERSION KITS	M8CB-X	Crossbar Conversion Kit, converts single M8 to M8 with Crossbar	\$222
	M8BJ-X	Ball Joint Conversion Kit, converts M8 with Crossbar to single M8	\$69
	M8LC-X	Long Crossbar Conversion Kit, converts single M8 to M8 with Crossbar	\$279
M8 HANDLE	M8HA-X	M8 Handle	\$86
VESA PLATES	M2DVP	Drop-Down VESA Plate for M2 or M8	\$22
	VM28-11	Standard 100mm x 100mm (also used for 75mm x 75mm), with hardware	\$22
	VM28-12	100mm x 200mm, with hardware	\$34
	VM28-22	200mm x 200mm, with hardware	\$45
	VM28-24	200mm x 400mm, with hardware	\$66
NOTEBOOK HOLDER	M2NHS	Notebook Holder in bracket for M2 and M8 - Silver	\$159
	M2NHW	Notebook Holder in bracket for M2 and M8 - White with Polished Aluminum	\$159
SLIDER	SLDRBL	M/Flex Slider Assembly, Black	\$111
	SLDRSL	M/Flex Slider Assembly, Silver	\$111
	SLDRWH	M/Flex Slider Assembly, Polished Aluminum	\$111

PARA/FLEX 2 COMMON CONFIGURATIONS



PARA/FLEX 2 PRODUCT CODE

COMPONENT	CODE		LIST PRICE
PRODUCT GROUP	PF	Para/Flex 2	-
COLOR	S	Silver with Gray Trim	-
	W	Polished Aluminum with White Trim	-
NUMBER OF CROSSBARS	1	One Crossbar	\$561
	2	Two Crossbars	\$1,122
MOUNT	C	Clamp Mount	\$184
	B	Bolt-Thru Mount	\$102
	N	No Mount	-
POST HEIGHT	12	12" High Post	\$82
	18	18" High Post	\$143
	24	24" High Post (Two 12" High Stackable Posts)	\$163
	30	30" High Post (12" and 18" High Stackable Posts)	\$224
	36	36" High Post (Two 18" High Stackable Posts)	\$286
	N	No Post	-

PARA/FLEX PRODUCT CODE

COMPONENT	CODE		LIST PRICE
PRODUCT GROUP	P2	Para/Flex	-
COLOR	S	Silver	-
FIRST ROW	1	Base Unit with Standard Lower Crossbar	\$1,114
	X	No Base Unit, No First-Row Crossbar (use when ordering Second-Row only)	-
SECOND ROW	2	Second-Row Crossbar Assembly	\$669
	X	No Second-Row Crossbar Assembly (use when ordering one row only)	-
MOUNT STYLE	NM	No Mount (use when ordering Second-Row only)	-
	DM	Desk Mount	\$223
	CM	Clamp Mount	\$223
	HW	Horizontal Beam Mount for Woodtronics	\$223
	HI	Horizontal Beam Mount for Innovant AX50	\$223
	HL	Horizontal Beam Mount for LaCour	\$223
	HS	Horizontal Beam Mount for SBFI	\$223
	HD	Horizontal Beam Mount for DAS ²	\$223
	VW	Vertical Slatwall Mount for Woodtronics	\$223
	VI	Vertical Slatwall Mount for Innovant	\$223
	VS	Vertical Slatwall Mount for SBFI Universal ²	\$223
	VE	Vertical Slatwall Mount for Evans ²	\$223
	VT	Vertical Slatwall Mount for SBFI Triax ²	\$223
	VL	Vertical Slatwall Mount for LaCour ²	\$223
VB	Vertical Slatwall Mount for LaCour Beam System	\$223	
WING LENGTH	-	Standard 14.5" Wings	-
	L	Long 20" Wings ³	\$112

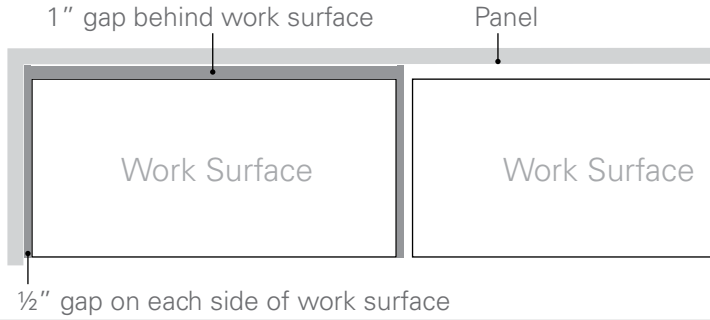


Sit-Stand

Recent research suggests that movement is vital to health. As the pioneer of a healthier, more active workplace, Humanscale has designed innovative sit/stand solutions that encourage users to alternate postures. Ultimately, these products allow users to adopt a healthy and balanced level of activity as they work.

WORK SURFACE DIMENSIONS

Depth and width dimension is nominal. Depths are 1" less than stated to provide a 1" gap between the work surface and panel. Widths are 1" less than stated to provide a 1/2" gap on each side of the work surface. The gaps are to facilitate cable management, monitor arms and pinch points in either a panel or open plan work station environment.



LAMINATE WORK SURFACES

Our high pressure compact environmentally-friendly polypropylene laminate is laminated to either a 3/4" thick particleboard or a 3/4" MDF (medium-density-fibreboard) depending on the edge detail selected. Both work surfaces have a heavy duty back (bottom layer) which is a very thin layer of phenolic. This stops any potential warping. All of our work surfaces are **formaldehyde-free** and manufactured from **FSC (forest stewardship council) certified wood**.

LAMINATE WORK SURFACE EDGE DETAIL

Our laminate work surfaces are available in either a flat edge or knife edge. We use a technology called "laser edge banding" on our rectangular work surfaces which allows for a completely seamless edge between the work surface and the edge detail. This not only leaves a good clean edge but also stops any bacteria penetrating the wood. All our edge banding is finished in a coordinating color.



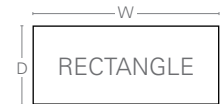


Build Your Float Product Code

Step 1: Identify The List Price For Your Float Base

COMPONENT	CODE	DESCRIPTION	LIST PRICE
PRODUCT	FN	Float Table Base	-
BASE COLOR	S	Silver	-
	W	White - <i>Living Product Challenge Approved</i>	-
	B	Black	-
COUNTERBALANCE ADJUSTER	M	Mounted - <i>can only be ordered with size 42, 43, 62, 63</i>	\$100
	R	Removable	-
SIZE <i>*All size options are Living Product Challenge approved.</i>	42	24" deep x 48" to 56" wide <i>will hold up to a 58" wide work surface</i>	\$1799
	43	30" deep x 48" to 56" wide	\$1799
	62	24" deep x 60" to 72" wide	\$1849
	63	30" deep x 60" to 72" wide	\$1849

Living Product Challenge approved.



Sample Order Float Base Code: **FNWM63**
 Sample Order Float Base List Price: **\$1949**

Step 2: Build Your Float Worksurface

Laminate Options

COMPONENT	CODE	DEPTH	WIDTH	3/4" STRAIGHT EDGE LAMINATE	3/4" KNIFE EDGE LAMINATE
LAMINATE WORK SURFACE SHAPE AND SIZE	2448	24"	48"	\$395	n/a
	2454	24"	54"	\$425	\$425
	2460	24"	60"	\$450	\$450
	2466	24"	66"	\$480	\$480
	2472	24"	72"	\$510	\$510
	3048	30"	48"	\$425	n/a
	3054	30"	54"	\$450	\$450
	3060	30"	60"	\$475	\$475
	3066	30"	66"	\$495	\$495
	3072	30"	72"	\$535	\$535

Wood Veneer Options

COMPONENT	CODE	DEPTH	WIDTH	3/4" STRAIGHT EDGE VENEER
WOOD VENEER WORK SURFACE SHAPE AND SIZE	2V48	24"	48"	\$890
	2V54*	24"	54"	\$950
	2V60	24"	60"	\$995
	2V66*	24"	66"	\$1,060
	2V72	24"	72"	\$1,120
	3V48	30"	48"	\$950
	3V54*	30"	54"	\$995
	3V60	30"	60"	\$1,050
	3V66*	30"	66"	\$1,090
	3V72	30"	72"	\$1,170

**Minimum order quantity of 10 table tops*

COMPONENT	CODE		
LAMINATE COLOR OPTIONS <i>*All Laminate options are Living Product Challenge approved.</i>	WH		White
	GY		Gray
	PL		Platinum
	TN		Tan
	BL		Black
WOOD VENEER COLOR OPTIONS	BR		Birch
	CH		Cherry*
	WN		Walnut

COMPONENT	EDGE PROFILE	CODE
Work Surface Edge Profile Options		F Flat Edge
		K Knife Edge <i>*Not available on wood veneer</i>

Sample Order Float Work Surface Code: **3048WHF**
 Sample Order Float Work Surface List Price: **\$425**

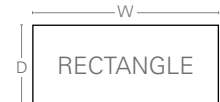
**Minimum order quantity of 10 table tops*

Step 3: Select Your Float Accessories

PRODUCT IMAGE	CODE	DESCRIPTION	LIST PRICE
Cable Management			
NeatTech Small should be used with the 48" Float base NeatTech Large should be used with the 60" Float base			
	NTSGG	NeatTech Small Gray Basket / Gray Trim	\$158
	NTSGR	NeatTech Small Gray Basket / Red Trim	\$158
	NTLGG	NeatTech Large Gray Basket / Gray Trim	\$168
	NTLGR	NeatTech Large Gray Basket / Red Trim	\$168
	NL17SB	NeatLinks Small Black	\$21
	NL17SG	NeatLinks Small Gray	\$21
	NLSSW	NeatLinks Slim White	\$25
	NLSSB	NeatLinks Slim Black	\$25
	NLSSG	NeatLinks Slim Gray	\$25
Keyboard System			
	6FB259S12	Float Keyboard System Black	\$340
	6FW259S12	Float Keyboard System White	\$340
CPU Holder Bracket			
See Page 77 to build your Float CPU System			

Step 1: Identify The List Price For Your eFloat Base

COMPONENT	CODE	DESCRIPTION	LIST PRICE
PRODUCT	FE	Float Electric Table Base	-
BASE COLOR	S	Silver	-
	W	White	-
	B	Black	-
CONTROLLER	D	Digital Memory Controller	\$100
	A	Analog Controller	-
SIZE	2	24" deep x 40" to 72" wide	\$1649
	3	30" deep x 40" to 72" wide	\$1649



Sample Order eFloat Base Code: **FEWD3**

Sample Order eFloat Base List Price: **\$1749**

Step 2: Build Your eFloat Worksurface

Laminate Options

COMPONENT	CODE	DEPTH	WIDTH	3/4" STRAIGHT EDGE LAMINATE	3/4" KNIFE EDGE LAMINATE
LAMINATE WORK SURFACE SHAPE AND SIZE	E2448	24"	48"	\$395	n/a
	E2454	24"	54"	\$425	\$425
	E2460	24"	60"	\$450	\$450
	E2466	24"	66"	\$480	\$480
	E2472	24"	72"	\$510	\$510
	E3048	30"	48"	\$425	n/a
	E3054	30"	54"	\$450	\$450
	E3060	30"	60"	\$475	\$475
	E3066	30"	66"	\$495	\$495
	E3072	30"	72"	\$535	\$535

Wood Veneer Options

COMPONENT	CODE	DEPTH	WIDTH	3/4" STRAIGHT EDGE VENEER
WOOD VENEER WORK SURFACE SHAPE AND SIZE	E2V48	24"	48"	\$890
	E2V54*	24"	54"	\$950
	E2V60	24"	60"	\$995
	E2V66*	24"	66"	\$1,060
	E2V72	24"	72"	\$1,120
	E3V48	30"	48"	\$950
	E3V54*	30"	54"	\$995
	E3V60	30"	60"	\$1,050
	E3V66*	30"	66"	\$1,090
	E3V72	30"	72"	\$1,170

**Minimum order quantity of 10 table tops*

COMPONENT	CODE		
LAMINATE COLOR OPTIONS	WH		White
	GY		Gray
	PL		Platinum
	TN		Tan
	BL		Black
WOOD VENEER COLOR OPTIONS	BR		Birch
	CH		Cherry*
	WN		Walnut

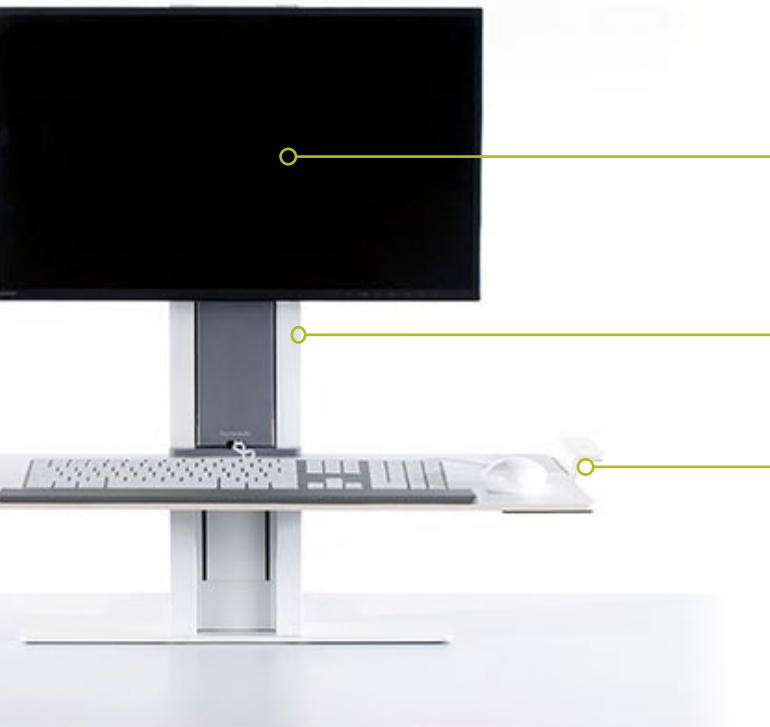
**Minimum order quantity of 10 table tops*

COMPONENT	EDGE PROFILE	CODE
Work Surface Edge Profile Options		F Flat Edge
		K Knife Edge <i>* Not available on wood veneer</i>

Sample Order eFloat Work Surface Code: **E3048WHF**
 Sample Order eFloat Work Surface List Price: **\$425**

Step 3: Select Your eFloat Accessories

SEE PAGE 69 TO SELECT YOUR EFLOAT ACCESSORIES



MONITOR MOUNT

Choose between a single or dual monitor mount
 It can accommodate a monitor up to 24"
 The single/dual monitor mount has a height adjustment of 5"







COLOR

Choose between black with gray trim or white with gray trim to match QuickStand into any working environment

PLATFORM

The height adjustable platform is available in either a small or large platform for varying work surface depths
 The size of the small platform is: 28" wide x 11" deep (for a 24" to 29" deep work surface)
 The size of the large platform is: 28" wide x 17" deep (for a 30" to 36" deep work surface)
 The small and large platforms both have a height adjustment of 18"

QuickStand Product Configurations

		
<p>QSWL24CDN \$949</p> <p>Quickstand, white, light mount assembly with small platform</p>	<p>QSWL30CDN \$999</p> <p>Quickstand, white, light mount assembly with large platform</p>	<p>QSWC30CDD \$1,189</p> <p>Quickstand, white, heavy mount assembly with large platform and crossbar</p>
		
<p>QSBLL24CDN \$949</p> <p>Quickstand, black, light mount assembly with small platform</p>	<p>QSBLL30CDN \$999</p> <p>Quickstand, black, light mount assembly with large platform</p>	<p>QSBCC30CDD \$1,189</p> <p>Quickstand, black, heavy mount assembly with large platform and crossbar</p>

QuickStand™ Build Your Product Code

COMPONENT	CODE	DESCRIPTION	LIST PRICE
LINE	QS	QuickStand (weight capacity up to 35lbs*)	\$809
COLOR	B	Black	-
	W	White	-
MONITOR MOUNT STYLE	L	Light Monitor Mount (Single only up to 11lbs)	-
	H	Heavy Monitor Mount (Single only up to 30lbs)	\$100
	C	Standard Crossbar Monitor Mount (Dual screen up to 30lbs total monitor weight. Screens up to 24" wide)	\$150
	W	Wide Crossbar Monitor Mount (Dual screen up to 30lbs total monitor weight. Screens up to 27" wide)	\$170
WORKSURFACE	24	Small Platform	\$85
	30	Large Platform	\$135
DESK MOUNT	C	Clamp Mount	-
	G	Grommet/Bolt Mount	-
	D	Dual Mount (CM+GM Mount)	\$100
	F	FreeStanding Base	\$125
LEFT SIDE CABLE SET	N	No Cables	-
	V	VGA Set (includes 1-VGA/1-Power/2-USB)	\$55
	P	Display Port Set (includes 1-Display Port/1-Power/2-USB)	\$55
	H	HDMI Set (includes 1-HDMI/1-Power/2-USB)	\$55
	D	DVI-D Set (includes 1-DVI-D/1-Power/2-USB)	\$55
	M	Mini Display Port (includes 1-MiniDisplay Port/1-Power/2 USB)	\$55
RIGHT SIDE CABLE SET	N	No Cables	-
	V	VGA Set (includes 1-VGA/1-Power)	\$40
	P	Display Port Set (includes 1-Display Port/1-Power)	\$40
	H	HDMI Set (includes 1-HDMI/1-Power)	\$40
	D	DVI-D Set (includes 1-DVI-D/1-Power)	\$40
	M	Mini Display Port (includes 1-MiniDisplay Port/1-Power)	\$40

*QS Total weight capacity of 35lbs is the sum of the weight of the monitors plus the items placed on the work surface. Consult the monitor mount options for monitor weight guidelines.

Accessories

COMPONENT	CODE	DESCRIPTION	LIST PRICE
LINE	QSHD	Heavy Monitor Mount (Single only up to 30lbs)	\$100
	QSXCB	Standard Crossbar Monitor Mount (Dual screen up to 30lbs total monitor weight. Screens up to 24" wide)	\$180
	QSXWC	Wide Crossbar Monitor Mount (Dual screen up to 30lbs total monitor weight. Screens up to 27" wide)	\$200
DESK MOUNT	QSCM	Clamp Mount	\$100
	QSGM	Grommet/Bolt Mount	\$100
	QSDM	Dual Mount (CM+GM Mount)	\$200
	QSXFS	FreeStanding Mount	\$225
PLATFORM SIZE	QSX24	Small platform	\$150
	QSX30	Large platform	\$175
LEFT SIDE CABLE SET	QSVG1	VGA Set (includes 1-VGA/1-Power/2-USB)	\$75
	QSDP1	Display Port Set (includes 1-Display Port/1-Power/2-USB)	\$75
	QSDM1	HDMI Set (includes 1-HDMI/1-Power/2-USB)	\$75
	QSDV1	DVI-D Set (includes 1-DVI-D/1-Power/2-USB)	\$75
	QSDM1	Mini Display Port (includes 1-MiniDisplay Port/1-Power/2 USB)	\$75
RIGHT SIDE CABLE SET	QSVG2	VGA Set (includes 1-VGA/1-Power/2-USB)	\$60
	QSDP2	Display Port Set (includes 1-Display Port/1-Power)	\$60
	QSDM2	HDMI Set (includes 1-HDMI/1-Power)	\$60
	QSDV2	DVI-D Set (includes 1-DVI-D/1-Power)	\$60
	QSDM2	Mini Display Port (includes 1-MiniDisplay Port/1-Power)	\$60
CABLE MANAGEMENT	QSCMK	Cable Management Kit	\$15

*The X designator in the code is a placeholder for a color option. Replace X with B=Black and W=White

QuickStand•Lite™ Features & Specifications



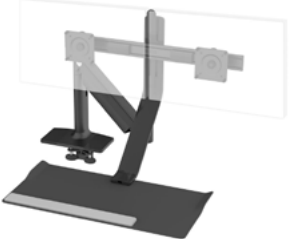
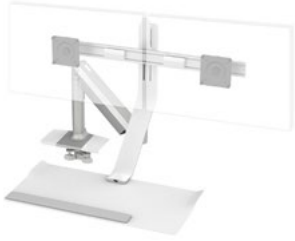
Humanscale's QuickStand Lite transforms any fixed-height desk into an active one. Its minimalist aesthetic complements any office environment and supports a variety of hardware. An adjustable keyboard and monitor arm platform provides exceptional stability while typing. An innovative counterbalance mechanism enables users to transition from sitting to standing positions with ease and encourages more movement—creating a truly active workspace.

- Main assembly holds single or dual monitors up to 25 lbs. of weight and can be easily converted to either configuration
- Designed to accommodate users of varying heights with 20" of total height range and 5.5" of vertical monitor adjustment
- Effortless functionality and flexibility allows user to adjust QuickStand Lite as needed to encourage movement and collaboration
- The lightweight QuickStand Lite has a minimal footprint and can be attached to any fixed-height desk



QuickStand•Lite™ Product Configurations & Pricing

QuickStand Lite Product Configurations

		
<p>QSLBLC \$849</p> <p>QuickStand Lite, black with black trim, light single monitor, clamp mount</p>	<p>QSLSLC \$849</p> <p>QuickStand Lite, silver with white trim, light single monitor, clamp mount</p>	<p>QSLBCC \$949</p> <p>QuickStand Lite, black with black trim, standard crossbar, clamp mount</p>
		
<p>QSLSCC \$949</p> <p>QuickStand Lite, silver with white trim, standard crossbar, clamp mount</p>		

Build Your Product Code

COMPONENT	CODE		LIST PRICE
Product Group	QSL	QuickStand Lite Base	\$849
Color	S	Silver	-
	B	Black	-
Monitor Mount	L	Light monitor mount for 1 monitor up to 11 lbs	-
	H	Heavy monitor mount for 1 monitor between 12 and 22 lbs	\$50
	C	Standard crossbar monitor mount for 2 monitors up to 24" wide each and weighing up to 22 lbs. combined	\$100
	W	Wide crossbar monitor mount for 2 monitors up to 27" wide each and weighing up to 22 lbs. combined	\$120
Base Mount	C	Clamp Mount	-
	G	Grommet Mount	-
	D	Dual Mount (Both clamp and grommet mount included)	\$100

Accessories

CODE	DESCRIPTION	LIST PRICE
QSLSD	QSL Std Crossbar Kit - Crossbar, Upper Monitor Holder and VESA Plate Kits, Silver with White Trim	\$240
QSLBD	QSL Std Crossbar Kit - Crossbar, Upper Monitor Holder and VESA Plate Kits, Black with Black Trim	\$240
QSLSW	QSL Wide Crossbar Kit - Crossbar, Upper Monitor Holder and VESA Plate Kits, Silver with White Trim	\$265
QSLBW	QSL Wide Crossbar Kit - Crossbar, Upper Monitor Holder and VESA Plate Kits, Black with Black Trim	\$265
QSLSH	QSL Heavy Monitor Mount Kit - Heavy Upper Monitor Holder and VESA Plate Kit, Silver with White Trim	\$150
QSLBH	QSL Heavy Monitor Mount Kit - Heavy Upper Monitor Holder and VESA Plate Kits, Black with Black Trim	\$150
QSLSL	QSL Light Monitor Mount Kit - Light Upper Monitor Holder and VESA Plate Kit, Silver with White Trim	\$125
QSLBL	QSL Light Monitor Mount Kit - Light Upper Monitor Holder and VESA Plate Kits, Black with Black Trim	\$125



Features & Product Configurations



Pairing software innovation with Humanscale’s quality ergonomic design, OfficeIQ is the ultimate in office intelligence and the next step in changing traditional offices into active workspaces. Integrated into sit/stand desks, OfficeIQ provides room occupancy insight and monitors when users sit, stand or leave desks to promote more physical activity. OfficeIQ makes furniture work for people and helps users make better health decisions throughout their day—not just in the office.

Office IQ Product Codes

Code	Product Description	LIST PRICE
OIQSQSW	OfficeIQ QuickStand Sensor Device - White	\$250*
OIQSQSB	OfficeIQ QuickStand Sensor Device - Black	\$250*
OIQSFTW	OfficeIQ Float Sensor Device - White	\$250*
OIQSFTB	OfficeIQ Float Sensor Device - Black	\$250*
OIQGW	OiQ Gateway and Power Adaptor Assembly, White	\$600
OIQGB	OiQ Gateway and Power Adaptor Assembly, Black	\$600
OIQAC	OfficeIQ AC adapter. Sold as a separate accessory to power the sensor boxes	\$25

*Does not include a \$12 per year per sensor licensing fee. Fee is not subject to discounting.



Access Rail

The Access Rail is a virtually infinitely configurable rail system that adds space to any desk or workstation, creates better organization of desktop tools, and improves the user's access to and interaction with those tools for better working comfort. It is designed for use in PACS environments, NOCS, Command and Control Centers, 911 Centers and wherever multiple monitors are used or desktop space is limited. The Access Rail is also ideal for benching applications.

Build Your Desk-Mounted Access Rail Product Code

COMPONENT	CODE	DESCRIPTION	2 COLLARS	3 COLLARS	4 COLLARS	5 COLLARS
ACCESS RAIL	A1		-	-	-	-
POST HEIGHT / NUMBER OF COLLARS	2		-	N/A	N/A	N/A
	3		N/A	-	N/A	N/A
	4		N/A	N/A	-	N/A
	5		N/A	N/A	N/A	-
COLOR	S	Silver	-	-	-	-
POST QUANTITY & MOUNT STYLE	2BT	2 Posts, Bolt-Through Mount	\$380	\$460	\$680	\$760
	2DM	2 Posts, Direct Mount	\$380	\$460	\$680	\$760
	2CM	2 Posts, Heavy-Duty Clamp Mount	\$490	\$570	\$790	\$870
	2LC	2 Posts, Low-Profile Clamp Mount	\$430	\$510	N/A	N/A
	1BT	1 Post, Bolt-Through Mount	\$190	\$230	\$340	\$380
	1DM	1 Post, Direct Mount	\$190	\$230	\$340	\$380
	1CM	1 Post, Heavy-Duty Clamp Mount	\$245	\$285	\$395	\$435
NUMBER OF RAILS	1		-	N/A	N/A	N/A
	2		N/A	-	N/A	N/A
	3		N/A	N/A	-	N/A
RAIL LENGTH	18	18" Rail	\$180	\$360	\$540	\$720
	24	24" Rail	\$200	\$400	\$600	\$800
	30	30" Rail	\$220	\$440	\$660	\$880
	36	36" Rail	\$260	\$520	\$780	\$1040
	42	42" Rail	\$300	\$600	\$900	\$1200
	48	48" Rail	\$345	\$690	\$1035	\$1380
	54	54" Rail	\$390	N/A	N/A	N/A
	60	60" Rail	\$440	N/A	N/A	N/A

Build Your Wall-Mounted Access Rail Product Code

Wall Mounted Access Rails up to 42" include two Wall Mount Brackets and 48-60" Rails include three Wall Mount Brackets.

COMPONENT	CODE	DESCRIPTION	LIST PRICE
WALL-MOUNTED ACCESS RAIL	AW		-
COLOR	S	Silver	-
RAIL LENGTH (Rails include 3 wall-mount brackets)	18	18" Rail	\$330
	24	24" Rail	\$350
	30	30" Rail	\$370
	36	36" Rail	\$410
	42	42" Rail	\$450
	48	48" Rail	\$545
	54	54" Rail	\$590
	60	60" Rail	\$640

IMPORTANT: Humanscale bears no responsibility for installation of the Wall-Mounted Access Rail and is not liable in any way for the manner in which the Wall-Mounted Access Rails are attached to the wall. Installation should be managed by a structural engineer.

Access Rail Extras

The following components and accessories are ordered separately from the Access Rail.

ADDITIONAL RAILS		
An add-on for adding Rails to an existing installation.		
CODE	DESCRIPTION	LIST PRICE
A118S	18" Rail	\$180
A124S	24" Rail	\$200
A130S	30" Rail	\$220
A136S	36" Rail	\$260
A142S	42" Rail	\$300
A148S	48" Rail	\$345
A154S	54" Rail	\$390
A160S	60" Rail	\$440

EXTENSION KIT		
Extends a 2-Collar Post to 4-Collar, or extends 3-Collar Post to 5-Collar: as an add-on for an existing Access Rail installation.		
CODE	DESCRIPTION	LIST PRICE
A1EX2	2-Collar Extension Kit	\$180

ACCESSORIES		
CODE	DESCRIPTION	LIST PRICE
A11000C	Pencil Cup, Clear	\$18
A11000S	Pencil Cup, Silver	\$18
A11001C	CD Holder, Clear	\$30
A11001C	CD Holder, Clear	\$30
A11001S	CD Holder, Silver	\$30
A11003C	Paper Tray, Clear	\$54
A11003S	Paper Tray, Silver	\$54
A11004C	Accessory Tray, Clear	\$38
A11004S	Accessory Tray, Silver	\$38
A11005C	Phone Holder, Clear	\$44
A11005S	Phone Holder, Silver	\$44
A11007C	Legal/A4 Paper Tray, Clear	\$55
A11007S	Legal/A4 Paper Tray, Silver	\$55
A11008C	Folder Sorter Tray, Clear	\$64
A11008S	Folder Sorter Tray, Silver	\$64
A11009C	Binder Holder, Clear	\$30
A11009S	Binder Holder, Silver	\$30
A11014C	Cup Holder, Clear	\$20
A11014S	Cup Holder, Silver	\$20
A1PSLS	Large Peripheral Shelf, 18" x 12.5", Silver	\$95



Ergo Tools

A key component of an ergonomic workstation, a well-designed articulating keyboard system works in conjunction with a monitor arm and task chair to promote healthy, comfortable posture. Humanscale keyboard supports lightly bring the work to you, allowing you to sit back in your chair while providing serious protection from carpal tunnel syndrome, neck and back pain, and other musculoskeletal issues.



Best-Selling Keyboard Systems

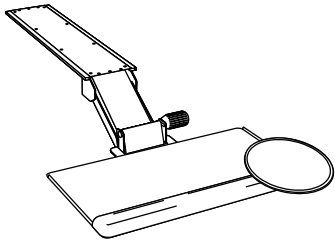
With advanced technology, award-winning designs and hundreds of options, Humanscale has remained the market leader in keyboard supports for 10 years running. We pioneered intuitive adjustability and eliminated knee obstruction. And these best-sellers remain several steps ahead of the pack.

All keyboard systems are available to ship within 72 hours.

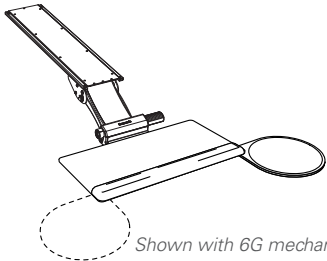
White 6G System

	Std 6GW/8.5"	6GW 900 90H G	\$465
		6GW 950 90H G	\$465
	Std 6GW/10"	6GW 900 91H G	\$465
		6GW 950 91H G	\$465
<ul style="list-style-type: none"> • Standard White 6GW Mechanism • White 900 or 950 Platform • White High Clip Mouse* (8.5" or 10" Mousing Surface) • Gray Gel Mouse Pad • Gray Synthetic Leather Gel Palm Support 			

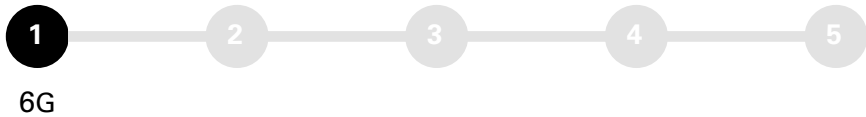
Clip Mouse System

 <p><i>Shown with 2G mechanism</i></p>	8.5"/Gel	2G 900 90H G	\$450
		6G 900 90H G	\$465
	10"/Gel	2G 900 91H G	\$450
		6G 900 91H G	\$465
	8.5"/Foam	2G 900 90H F	\$432
		6G 900 90H F	\$447
10"/Foam	2G 900 91H F	\$432	
	6G 900 91H F	\$447	
<ul style="list-style-type: none"> • 2G or 6G Mechanism • Standard 900 Platform • High Clip Mouse (8.5" or 10" Mousing Surface) • Synthetic Leather Palm Support (Gel or Foam) • Standard Black color scheme 			

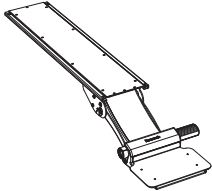
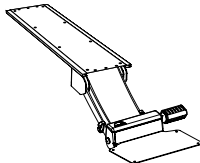
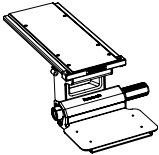
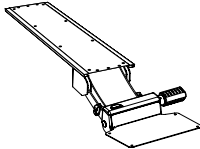
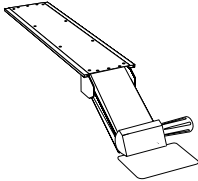
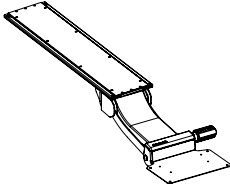
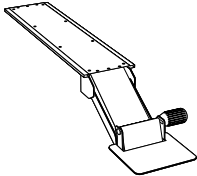
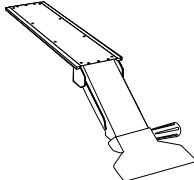
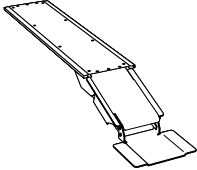
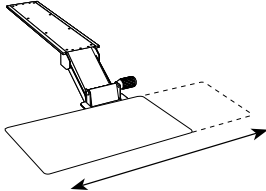
Swivel Mouse System

 <p><i>Shown with 6G mechanism</i></p>	Right/Gel	2G 900 11R G	\$430
		6G 900 11R G	\$445
	Dual/Gel	2G 900 11D G	\$480
		6G 900 11D G	\$495
	Right/Foam	2G 900 11R F	\$412
		6G 900 11R F	\$427
Dual/Foam	2G 900 11D F	\$462	
	6G 900 11D F	\$477	
<ul style="list-style-type: none"> • 2G or 6G Mechanism • Standard 900 Platform • 8" Swivel Mouse (Right or Dual) • Synthetic Leather Palm Support (Gel or Foam) • Standard Black color scheme 			

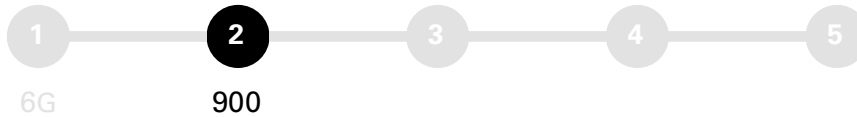
Build Your Keyboard System Product Code



STEP 1: MECHANISM OPTIONS

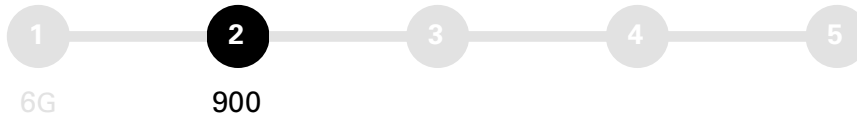
	<p>6G (Black), 6GW (White) \$255</p> <p>Humanscale's most advanced keyboard mechanism to date, the 6G provides intuitive ergonomic adjustability and unmatched styling.</p> <p>7" height adjustment (1.75" above track to 5.25" below track) Comes standard with 21.625" track</p>		<p>5G (Black), 5GV (Platinum) \$270</p> <p>The world's best-selling keyboard mechanism, the 5G combines easy dial-a-tilt and height adjustability with the strongest arm on the market.</p> <p>6.25" height adjustment (1.25" above track to 5" below track) Comes standard with 21.625" track</p>
	<p>6FB (Black), 6FW (White) \$175</p> <p>Designed exclusively for the Float, the 6F incorporates simple dial-a-tilt adjustability and modern styling ideal for all height-adjustable tables.</p> <p>No height adjustment Only for use with height-adjustable tables</p>		<p>5GSM (Black), 5GSV (Platinum) \$270</p> <p>The 5G Short Mechanism provides 5G functionality with a shorter arm for small workstations and tight spaces.</p> <p>4" height adjustment (0.5" above track to 3.5" below track) Comes standard with 18" track</p>
	<p>4G \$375</p> <p>The 4G represents revolutionary keyboard technology with simple dial-a-tilt keyboard angle adjustability.</p> <p>6.25" height adjustment (1.25" above track to 5" below track) Comes standard with 21.625" track</p>		<p>5GAD \$335</p> <p>The 5G Above Desk mechanism provides 5G functionality with a longer arm for use above the work surface.</p> <p>13.5" height adjustment (7.5" above track to 6" below track) Comes standard with 27" track</p>
	<p>2G \$240</p> <p>The original standard bearer, the 2G offers independent height and tilt adjustment and unmatched stability.</p> <p>6.25" height adjustment (1.25" above track to 5" below track) Comes standard with 21.625" track</p>		<p>4GAD \$335</p> <p>The 4G Above Desk mechanism provides 4G functionality with a longer arm for use above the work surface.</p> <p>11.5" height adjustment (8.5" above track to 3" below track) Comes standard with 27" track</p>
	<p>KM \$220</p> <p>The Standard Pre-Set Tilt Arm offers total knee clearance, knob-free adjustment and 0° tilt.</p> <p>6.25" height adjustment (1.25" above track to 5" below track) Comes standard with 21.625" track</p>		<p>LS \$86</p> <p>The Lateral Slider allows the platform to be adjusted left or right a total of 8" for optimal keyboard positioning. It can be ordered with any keyboard mechanism by indicating "LS" after the mechanism code (e.g., 6GLS or 6GWLS).</p>

Build Your Keyboard System Product Code (cont.)



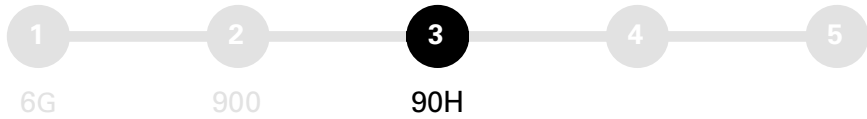
STEP 2: KEYBOARD PLATFORM OPTIONS	CODE	Description	List Price
	900	Standard Available in White with 6GW. Available in Platinum with 5GV or 5GSV.	\$100
	500	Big Comes with built-in mousing surface. Not available with other mouse platform options. Available in White with 6GW. Available in Platinum with 5GV or 5GSV. If selected with 6FB or 6FW, then 14" track must be used.	\$150
	950	Standard Compact Available in White with 6GW. Available in Platinum with 5GV or 5GSV.	\$100
	550	Big Compact Comes with built-in mousing surface. Not available with other mouse platform options. Available in White with 6GW. Available in Platinum with 5GV or 5GSV. If selected with 6FB or 6FW, then 14" track must be used.	\$150
	700	Diagonal	\$100
	259	Float Board Comes with built-in mousing surface. Not available with other mouse platform options. Only available with 6FB and 6FW. Must be used with 12.5" track.	\$125

Build Your Keyboard System Product Code (cont.)



STEP 2: KEYBOARD PLATFORM OPTIONS	CODE	Description	List Price
	400	Diagonal Big Comes with built-in mousing surface. Not available with other mouse platform options.	\$150
	300	Curved Not available with a palm support.	\$100
	800	Radiused	\$100
	100	Combo	\$100
	600	Extender	\$120

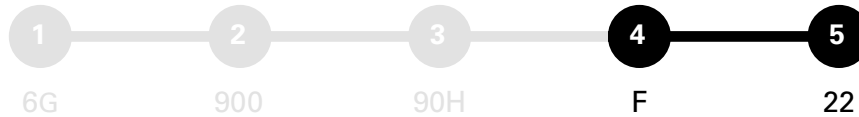
Build Your Keyboard System Product Code (cont.)



STEP 3: MOUSE PLATFORM OPTIONS

	CODE	DESCRIPTION	PRICE
	90	8.5" Clip	\$70
	90H	8.5" High Clip	\$70
<i>Available in White with 6GW. Available in Platinum with 5GV or 5GSV.</i>			
	91	10" Clip	\$70
	91H	10" High Clip	\$70
<i>Available in White with 6GW. Available in Platinum with 5GV or 5GSV.</i>			
	11R	8" Swivel Right	\$50
	11L	8" Swivel Left	\$50
	11D	8" Swivel Dual	\$100
<i>Available in White with 6GW. Not available with 5GV, or 5GSV.</i>			
	12R	10" Swivel Right	\$50
	12L	10" Swivel Left	\$50
	12D	10" Swivel Dual	\$100
<i>Available in White with 6GW. Not available with 5GV, or 5GSV.</i>			
	81R	M2 Right	\$50
	81L	M2 Left	\$50
	81D	M2 Dual	\$100
<i>Not available in White with 6GW. Not available with 5GV, or 5GSV.</i>			

Build Your Keyboard System Product Code (cont.)



STEP 4: PALM SUPPORT OPTIONS

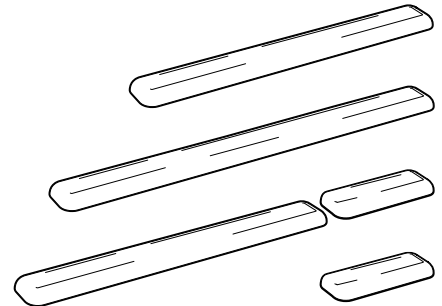
CODE	DESCRIPTION	COLOR	PRICE
F	19" Foam with synthetic leather cover	B/G	\$22
G	19" Gel with synthetic leather cover	B/G	\$40
S	19" Slim palm support	B/G	\$40
F20	20" Foam with synthetic leather cover	B	\$22
G20	20" Gel with synthetic leather cover	B/G	\$40
F27	27" Foam with synthetic leather cover	B	\$28
G27	27" Gel with synthetic leather cover	B	\$46
FMP	20" and 7" Foam with synthetic leather cover	B	\$35
GMP	20" and 7" Gel with synthetic leather cover	B	\$55
SMP27	19" and 7" Slim palm support	B/G	\$55
F25	25" Foam with synthetic leather cover	B	\$28
G25	25" Gel with synthetic leather cover	B	\$46
SMP25	19" and 5" Slim palm support	B/G	\$53
MP7F	7" Foam with synthetic leather cover	B	\$14
MP7G	7" Gel with synthetic leather cover	B/G	\$18
SMP7	7" Slim palm support	B/G	\$18
SMP5	5" Slim palm support	B/G	\$16

For 400 and 500 boards only

For 550 boards only

All Build-Your-Own palm supports are available in Black only, unless otherwise noted.

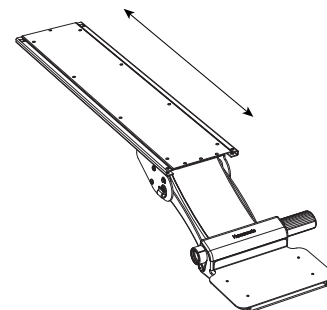
*B = Black
G = Gray*



STEP 5: TRACK OPTIONS

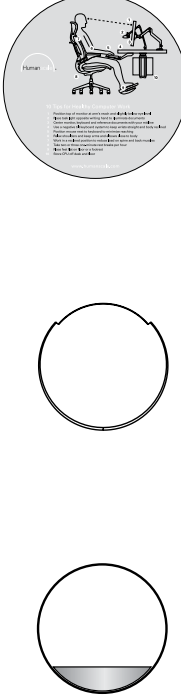
CODE	DESCRIPTION	PRICE
27	27" Track	N/C
25	25" Track	N/C
22	Standard 21.625" Track	N/C
18	18" Track	N/C
16	16" Track	N/C
14	14" Track	N/C
12	12.5" Track for 259 board only	N/C
11	11" Track	N/C
Replacement Tracks with Hardware Pack (if ordering without mechanism)		
RT27.	27" Track	\$60
RT25.	25" Track	\$55
RT22.	Standard 21.625" Track	\$45
RT18.	18" Track	\$45
RT16.	16" Track	\$45
RT14.	14" Track	\$45
RT12.	12.5" Track	\$45
RT11.	11" Track	\$45

All keyboard systems ship with track lengths noted on page 69 unless a different track length is specified. Please use these codes to order a specific track for your system.

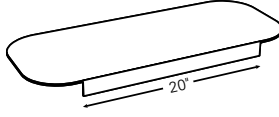

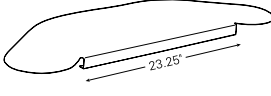


Keyboard System Accessories

MOUSE PLATFORM OPTIONS

	HSMP12TIPS \$6 8" Ergo Tips Mouse Pad For 8" – 8.5" mouse platforms
	HSMP12TIPS10 \$7 9" Ergo Tips Mouse Pad For 10" mouse platforms
	CMPGEL8 \$28 8.5" Gel Mouse Pad - Black
	CMPGEL8SLV \$28 8.5" Gel Mouse Pad - Silver For 90 or 90H Clip Mouse
	CMPGEL \$28 10" Gel Mouse Pad - Black
	CMPGELSLV \$28 10" Gel Mouse Pad - Silver For 91 or 91H Clip Mouse
	MPGEL8 \$22 8.5" Gel Mouse Pad
	MPGEL10 \$28 10" Gel Mouse Pad

CORNER SLEEVES

	DE100 \$141 29.5" x 12.188" Fits desks 1" to 1.5" thick
	DE200/DE250 \$89 16" diameter DE200 fits desks 1" to 1.5" thick DE250 fits desks 1.5" to 2.5" thick
	DE400/DE450 \$230 38.5" x 13.75" DE400 fits desks 1" to 1.5" thick DE450 fits desks 1.5" to 2.5" thick

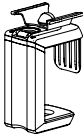
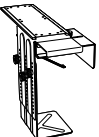
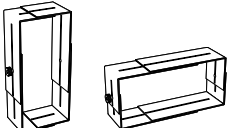
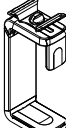
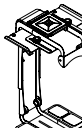
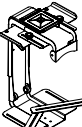
PALM SUPPORT

	MM10 \$17
	Mouse Mate

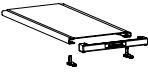
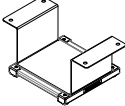
Build Your CPU Product Code

Sample Product Code - CPU20011

CPU HOLDERS

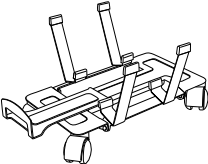

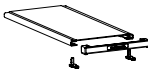
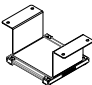
	CPU200 (Black)	\$166
	CPU200W (White)	\$166
Fits CPUs 1" to 5" wide by 12" high Max CPU Weight: 15 lbs. Installed Dimensions: 6.7" Width, CPU Height + 3.8" (plus additional 1.2" with spacer option)		
	CPU300	\$156
	Fits CPUs 3.25" to 9" wide by 10.5" to 18" high Max CPU Weight: 70 lbs. Installed Dimensions: CPU Width + 1.5", CPU Height + 3"	
	CPU450	\$146
	Fits CPUs 4" to 8" wide by 11.5" to 20" high Max CPU Weight: 50 lbs. Installed Dimensions: CPU Width + 2.5", CPU Height + 3.75"	
	CPU600 (Black)	\$183
	CPU600W (White)	\$183
Fits CPUs 3.5" to 9" wide by 12" to 20" high Max CPU Weight: 50 lbs. Installed Dimensions: 7" or CPU Width + 1.7" (whichever is greater), CPU Height + 3.6"		
	CPU555	\$177
	Fits CPUs 3" to 9.5" wide by 12" to 22" high Max CPU Weight: 70 lbs. Installed Dimensions: CPU Width + 3.5", CPU Height + 4.5"	
	CPU555SEC	\$213
	With Security System	

CPU MOUNTS

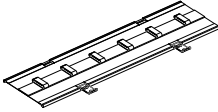
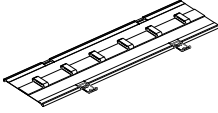




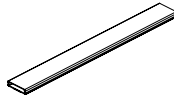
	11	11" Track	N/C
	16	16" Track	N/C
	22	22" Track	N/C
	STK14	Swivel Track Upgrade Kit for CPU450	\$37
	FCBS (Silver)	Float CPU Bracket	N/C
	FCBW (White)	Float CPU Bracket	N/C
	FCBB (Black)	Float CPU Bracket	N/C

Ergonomic Accessories

CPU HOLDERS & REPLACEMENT PARTS

CPU DOLLY			
	CPUDLY	\$166	
	Fits CPUs 4" to 9" wide Installed Dimensions: CPU Height + 3.75"		
	CPUDLYPLT	\$176	
	With Platform For CPUs 1.5" to 9" wide		
	CPUPLATFORM	\$19	
CPU Dolly Retrofit Platform			
CPUDLYH	\$42		
Telescoping Pull Handle			
CPU ACCESSORIES			
	CPU555STOOL	\$30	
	Replacement Tool Kit for CPU555SEC (comes standard with CPU555SEC)		
	CPU555SECKIT	\$57	
Retrofit Security Kit for CPU555 (comes standard with CPU555SEC)			
REPLACEMENT TRACKS WITH HARDWARE			
	11RT	11" Track	\$47
	16RT	16" Track	\$47
	22RT	22" Track	\$47
	STK14		\$37
	Swivel Track Upgrade Kit for CPU450		
REPLACEMENT BRACKET WITH HARDWARE			
	FCBS Float CPU Bracket (Silver)	\$62	
	FCBW Float CPU Bracket (White)	\$62	
	FCBB Float CPU Bracket (Black)	\$62	

CABLE MANAGEMENT

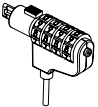
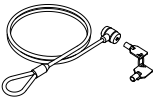
NEATTECH — SMALL		
	NTSGG (Gray Basket/Gray Trim)	\$161
	NTSGR (Gray Basket/Red Trim)	\$161
38" L x 4.5" D x 4" W		
NEATTECH — LARGE		
	NLGG (Gray Basket/Gray Trim)	\$171
	NLGR (Gray Basket/Red Trim)	\$171
48" L x 4.5" D x 4" W		
NEATLINKS — SMALL 17"		
	NL17SB (Black)	\$21
	NL17SG (Gray)	\$21
Small 2.6" Diameter, 17" Length		
NEATLINKS — LARGE 17"		
	NL17LB (Black)	\$23
	NL17LG (Gray)	\$23
Large 3.6" Diameter, 17" Length		
NEATLINKS — SMALL 24"		
	NL24SB (Black)	\$23
	NL24SG (Gray)	\$23
Small 2.6" Diameter, 24" Length		
NEATLINKS — LARGE 24"		
	NL24LB (Black)	\$26
	NL24LG (Gray)	\$26
Large 3.6" Diameter, 24" Length		
NEATLINKS SLIM		
	NLSSW (White)	\$26
	NLSSB (Black)	\$26
	NLSSG (Gray)	\$26

Ergonomic Accessories

LAPTOP HOLDERS & ACCESSORIES

Notebook Manager		
	L6 Maximum Dimensions: 13.5" W x 10.9" D x 10.1" H 7.3" height adjustability (Accommodates notebook computers at least 10" wide and 6" deep, and up to 1.5" thick)	\$166
Tech Tray		
	TT 12" W x 14" D Comes standard with 20" track. Sits 3.5" below track.	\$109
Removable USB Hub		
	L6USB	\$33
Switch Mouse		
	SMUSB Switch Mouse with USB connector, optical sensor and navigation dish	\$130

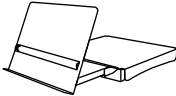

SECURITY LOCK

Security Lock		
	SECLOCK For CPUs, laptops, flat panels, etc. Combination lock with 3' cord. Fits all units with standard security keyhole	\$34
Keyed Security Lock		
	TT1 For CPUs, laptops, flat panels, etc. Keyed lock with 2' cord. Fits all units with standard security keyhole	\$34





ZÖN REPLACEMENT ITEMS

Particulate Filter	HZP1	\$61
Double Pack VOC Filters	HZV2	\$46
ZÖN Personal Prefilter	HZPREFILTER	\$10

IN-LINE DOCUMENT HOLDERS

Copy Drawer		
	CH3000 (Putty) \$166 CH3000B (Black)* \$166 15" D x 15.5" W x 3" H *Black may require up to an 8-10 week lead time. See your Humanscale sales representative for more information.	
Copy Stand Basic		
	CH900 (Putty) \$119 CH900B (Black)* \$119 11" D x 14" W x 3" H For use with flat panel monitors	

FOOT RESTS

Rocking Foot Machine		
	FM500C (Cherry) \$166 FM500K (Black) \$166 12.25" D x 16.75" W x 4.5" H	
Foot Machine with Massage Balls		
	FM300B (Natural) \$198 FM300BDC (Dark Cherry) \$198 11.875" D x 16" W Height Range: 3.75" to 6.75"	
Foot Machine		
	FM300 (Natural) \$146 11.875" D x 16" W Height Range: 3.75" to 6.75"	
Tilting Foot Rest		
	FM100 (Natural) \$146 11.75" D x 19" W x 3.375" H	